

ArtiosCAD 18.0.1

Style Catalog Reference

11 - 2018

Contents

- 1. Location and Copyright..... 13**
- 2. Welcome..... 15**
 - Introduction..... 15
- 3. Corrugated Standards..... 16**
 - One piece containers/1 side rollovers..... 16
 - 31010W - 1 side rollover - Cover flaps..... 16
 - 31015W - 1 side rollover - Cover flaps & lock..... 16
 - 31020W - 1 side rollover - Ears..... 18
 - 31025W - 1 side rollover - Ears & lock..... 19
 - 31026W - 1 side rollover - Ears & lock/dust flaps off cover..... 20
 - 31021W - 1 side rollover - Ears / dust flaps off cover..... 20
 - One piece containers/2 side rollovers..... 22
 - 32015W - 2 side rollover - Cover flaps..... 22
 - 32025W - 2 side rollover - Cover flaps & ears..... 23
 - 32030W - 2 side rollover - Cover panels meet..... 24
 - 32035W - 2 side rollover - Cover panels meet/with flaps..... 26
 - 32020W - 2 side rollover - Ears..... 27
 - 32010W - 2 side rollover - Tuck..... 29
 - One piece containers/3 side rollovers..... 30
 - 71035W - 3 side rollover - Angled side/header slots..... 30
 - 33015W - 3 side rollover - Cover flaps..... 32
 - 33010W - 3 side rollover - Tuck..... 33
 - One piece containers/Center joint..... 35
 - 36025W - Center joint - With dust & cover flaps..... 35
 - 36020W - Center joint - With dust flaps..... 36
 - 36010W - Center joint - Without dust flaps..... 38
 - One piece containers/Swing-in rollover..... 39
 - 34011W - Swing-in rollover..... 39
 - 34020W - Swing-in rollover..... 41
 - 34010W - Swing-in rollover - Tuck..... 42
 - One piece containers/Wrap around..... 43
 - 36030W - Wrap-around - Tuck with optional lock..... 43
 - 36035W - Wrap-around - Tuck/cover flaps/optional lock..... 44
 - Trays..... 45
 - 71035W - Trays - Angled side/with header slots..... 45
 - 42020W - Trays - Four side rollover..... 47
 - 42030W - Trays - Preglued infold..... 48
 - 42035W - Trays - Preglued outfold..... 49

42010W - Trays - Two side rollover.....	50
FEFCO Standards - 200 Series.....	51
F0200.....	51
F0201.....	53
F0202.....	54
F0203.....	56
F0204.....	57
F0205.....	59
F0206.....	60
F0208.....	62
F0209.....	63
F0210.....	65
F0211.....	67
F0212.....	68
F0214.....	70
F0215.....	72
F0216.....	74
F0217.....	76
F0225.....	77
F0226.....	79
F0227.....	81
F0228.....	82
F0229.....	83
F0230.....	85
F0231.....	86
FEFCO Standards - 300 Series.....	88
F0300 Base.....	88
F0300 Lid.....	89
F0301 Base.....	91
F0301 Base.....	92
F0301 Lid.....	94
F0302 Base.....	96
F0302 Lid.....	98
F0303 Base.....	100
F0303 Lid.....	102
F0304 Base.....	104
F0304 Lid.....	106
F0306 Base.....	108
F0306 Lid.....	110
F0308 Base.....	112
F0308 Lid.....	114
F0309 Base.....	116
F0309 Lid.....	118

F0310 Body.....	120
F0310 Cover.....	122
F0311 Body.....	124
F0311 Cover.....	125
F0312 Body.....	127
F0312 Cover.....	129
F0313 Body.....	130
F0313 Cover.....	132
F0314a.....	133
F0320 Body.....	135
F0320 Cover.....	136
F0321 Body.....	138
F0321 Cover.....	139
F0325 Body.....	141
F0325 Cover.....	142
F0330.....	144
F0351a.....	145
F0351b.....	147
FEFCO Standards - 400 Series.....	149
F0401.....	149
F0402.....	151
F0403.....	152
F0404 Body.....	154
F0404 Caps.....	156
F0405 Body.....	157
F0405 Caps.....	159
F0406.....	160
F0409.....	162
F0410.....	164
F0411.....	165
F0412.....	166
F0413.....	168
F0415.....	170
F0416.....	172
F0420.....	173
F0421.....	175
F0422.....	176
F0423.....	178
F0424.....	179
F0425.....	180
F0426.....	182
F0427.....	183
F0428.....	185

F0429.....	187
F0430.....	189
F0435.....	190
F0440.....	192
F0441.....	194
F0442.....	195
F0443.....	197
F0444.....	199
F0447.....	200
F0450.....	202
F0451.....	204
F0452.....	206
F0453.....	208
F0454.....	210
F0455.....	212
F0456.....	214
F0458.....	216
F0459.....	218
F0460.....	219
F0470.....	221
F0471.....	223
F0472.....	225
F0473.....	227
FEFCO Standards - 500 Series.....	229
F0501.....	229
F0502.....	231
F0503.....	231
F0510 Body.....	232
F0510 End Panel.....	233
F0511 Body.....	234
F0511 End Panel.....	236
F0512 Body.....	237
F0512 End Panel.....	239
FEFCO Standards - 600 Series.....	240
F0601 Body.....	240
F0601 End Panel.....	241
F0602 Body.....	242
F0602 End Panel.....	244
F0605 Body.....	245
F0605 End Panel.....	247
F0606.....	248
F0606a.....	250
F0606b.....	252

F0607 Body.....	254
F0607 End Panel.....	256
F0608 Body.....	257
F0608 End Panel.....	259
F0610 Body.....	260
F0610 End Panel.....	262
F0615.....	263
F0615a.....	265
F0615b.....	267
F0616 Body.....	269
F0616 End Panel.....	270
F0620 Body.....	271
F0620 End Panel.....	273
F0621.....	274
FEFCO Standards - 700 Series.....	276
F0700.....	276
F0711.....	277
F0712.....	279
F0713.....	280
F0718.....	281
F0747.....	283
F0748.....	285
F0752.....	286
F0759.....	288
F0760.....	290
F0761.....	292
FEFCO Standards - 900 Series.....	294
F0900.....	294
F0901.....	294
F0902.....	295
F0903.....	295
F0904.....	296
F0905.....	297
F0906.....	298
F0907.....	299
F0908.....	299
F0909.....	300
F0910.....	301
F0911.....	302
F0912.....	303
F0913.....	304
F0920.....	306
F0921.....	306

F0929 Length Partition.....	307
F0929 Width Partition.....	309
F0930 Length Partition.....	310
F0930 Width Partition.....	312
F0931 Length Partition.....	313
F0931 Width Partition.....	315
F0932 Length Partition.....	316
F0932 Width Partition.....	317
F0933 Length Partition.....	318
F0933 Width Partition.....	320
F0934 Length Partition.....	321
F0934 Width Partition.....	322
F0935 Divider.....	324
F0935 Length Partition.....	325
F0935 Width Partition.....	326
F0940.....	328
F0941.....	328
F0942.....	329
F0943.....	331
F0944.....	332
F0945.....	333
F0946.....	334
F0947.....	335
F0948.....	336
F0949.....	338
F0950.....	339
F0951.....	341
F0965.....	342
F0966.....	343
F0967.....	344
F0970.....	345
F0971.....	346
F0972.....	347
F0973.....	347
F0974.....	349
F0975.....	350
F0976.....	352
4. Display Standards.....	354
Bins.....	354
Hexagonal Bin.....	354
Hexagonal Bin - Dispenser Bottom.....	355
Hexagonal Bin - Dispenser Center.....	357
Hexagonal Bin - Header.....	359

Pallet Base with Cross Lock..... 361

Pallet with Lid..... 362

Countertop Displays.....363

 Angular Card Dispenser..... 364

 Angular Card Holder..... 365

 Angular Dispenser.....366

 Auto Bottom Dispenser.....367

 Card Dispenser With Header..... 368

 Countertop Display With Self Lock.....369

 Countertop Display With Shelves..... 370

 One Piece Countertop Display.....371

 Straight Card Holder..... 372

 Tray With Header..... 373

Display bases..... 374

 All side slope base..... 374

 Angle Base End Joint.....375

 Angle Base Half Base.....377

 Display Base2- Center Joint Flg1.....379

 Display Base 2-End Joint Flg.....381

 Display Base 3-End Joint.....383

 Display Base-Center Joint..... 385

 Display Base-End Joint1..... 387

 Pallet Base..... 389

 Step Base-End Joint-Flange..... 391

Display Headers.....392

 Counter Tray Header 2..... 392

 Counter Tray Header 4..... 394

 Display Tray Header.....396

 Display Tray Header 2..... 398

Display Trays..... 400

 4 Cell Power Wing Tray..... 400

 Display Tray With Dividers..... 402

 Self Ship Double Back..... 403

 Shelf Displayer1.....405

 Slope Stack Side..... 406

 SS DBL BTM..... 408

 SS Lean Front..... 410

 SS SNG Back 1VS.....411

 SS Tray Double BTM..... 413

 SS Tray No Back Double BTM..... 415

 SS Tray Triple BTM..... 417

 SS Tray W Header..... 419

 Tray with Divider..... 422

Easels.....	423
Double Wing Easel.....	423
Double Wing Easel Small.....	424
Single Wing Easel.....	426
Fillers.....	428
5 Panel Roll.....	428
9 Panel Fill.....	430
9 Panel Roll.....	431
9 Panel unev.....	432
Bowtie.....	433
Patryfl.....	434
Standalone Displays.....	436
Angular Display with Shelves.....	436
Display Base.....	438
Display Stand.....	439
Display Stand with Trays.....	440
5. Folding Carton Standards.....	441
Sleeves.....	441
111.01.ARD - Standard sleeve.....	441
Friction tuck tops/bottoms.....	442
122.05.ARD - Reverse top tuck on 2nd.....	442
121.05.ARD - Reverse top tuck on 4th.....	443
123.05.ARD - Straight tuck top on 2nd.....	445
124.05.ARD - Straight tuck top on 4th.....	446
Friction Tuck Tops/Unituck bottom.....	447
122.01.ARD - Reverse top tuck on 2nd.....	447
121.01.ARD - Reverse tuck top on 4th.....	449
123.01.ARD - Straight tuck top on 2nd.....	450
124.01.ARD - Straight tuck top on 4th.....	451
Friction tuck tops/Slit lock bottom.....	453
122.03.ARD - Reverse top tuck on 2nd.....	453
121.03.ARD - Reverse tuck top on 4th.....	454
123.03.ARD - Straight tuck top on 2nd.....	456
124.03.ARD - Straight tuck top on 4th.....	457
Friction tuck tops/Houghland bottom.....	459
141.10.ARD - Tuck on 2nd - Tab on 2nd.....	459
141.04.ARD - Tuck on 2nd - Tab on 4th.....	460
141.07.ARD - Tuck on 4th - Tab on 2nd.....	462
141.01.ARD - Tuck on 4th - Tab on 4th.....	463
Friction tuck tops/Full flap auto bottom.....	465
151.04.ARD - Tuck top on 2nd.....	465
151.01.ARD - Tuck top on 4th.....	466
Friction tuck tops/Inturn auto bottom.....	468

152.04.ARD - Tuck top on 2nd.....	468
152.01.ARD - Tuck top on 4th.....	469
Unituck slit lock top and bottom.....	470
122.07.ARD - RT top tuck on 2nd.....	470
121.07.ARD - RT top tuck on 4th.....	472
123.07.ARD - ST top tuck on 2nd.....	473
124.07.ARD - ST top tuck on 4th.....	475
Unituck slit lock top/Houghland bottom.....	476
141.11.ARD - Tuck on 2nd - tab on 2nd.....	476
141.05.ARD - Tuck on 2nd - tab on 4th.....	478
141.08.ARD - Tuck on 4th - tab on 2nd.....	479
141.02.ARD - Tuck on 4th - tab on 4th.....	481
Unituck Slit Lock Top/Full flap auto bottom.....	482
151.05.ARD - Tuck top on 2nd.....	482
151.02.ARD - Tuck top on 4th.....	484
Unituck slit lock top/Inturn auto bottom.....	485
152.05.ARD Tuck top on 2nd.....	485
152.02.ARD - Tuck top on 4th.....	487
Standard slit lock top/Standard slit lock bottom.....	488
122.09.ARD - RT top tuck on 2nd.....	488
121.09.ARD - RT top tuck on 4th.....	490
123.09.ARD - ST top tuck on 2nd.....	491
124.09.ARD - ST top tuck on 4th.....	493
Standard slit lock top/Houghland bottom.....	494
141.12.ARD - Tuck on 2nd - tab on 2nd.....	494
141.06.ARD - Tuck on 2nd - tab on 4th.....	496
141.09.ARD - Tuck on 4th - tab on 2nd.....	497
141.03.ARD - Tuck on 4th - tab on 4th.....	499
Standard slit lock top/Full flap auto bottom.....	500
151.06.ARD - Tuck on 2nd.....	500
151.03.ARD - Tuck on 4th.....	502
Standard slit lock top/Inturn auto bottom.....	503
152.06.ARD - Tuck top on 2nd panel.....	503
152.03.ARD - Tuck top on 4th panel.....	505
Partial/full overlap seal ends.....	506
131.01.ARD - Flap style #1.....	506
131.04.ARD - Flap style #2.....	508
131.05.ARD - Flap style #3.....	509
131.06.ARD - Flap style #4.....	511
131.07.ARD - Flap style #5.....	512
Trays/Beers.....	514
222.05.ARD - 6 corner.....	514
222.02.ARD - Standard/Full drag.....	515

Trays/Brightwoods.....	517
261.01.ARD - Double sidewall/Double endwall - Flap style #1.....	517
261.02.ARD - Double sidewall/Double endwall/Flap style #2.....	519
261.03.ARD - Double sidewall/Double endwall/Flap style #3.....	521
241.01.ARD - Single sidewall/Double endwall/Flap style #1.....	523
241.02.ARD - Single sidewall/Double endwall/Flap style #2.....	525
241.03.ARD - Single sidewall/Double endwall/Flap style #3.....	527
221.01.ARD - Single sidewall/Single endwall/Flap style #1.....	529
221.03.ARD - Single sidewall/Single endwall/Flap style #2.....	531
221.05.ARD - Single sidewall/Single endwall/Flap style #3.....	533
Trays/Infold-Outfold.....	535
223.02.ARD - Infold/Outfold.....	535
Trays/Kwikset.....	537
251.01.ARD - Kwikset tray with reinforcing tabs.....	537
251.04.ARD - Standard Kwikset tray.....	539
Trays/Walker locks.....	541
281.01.ARD - Walker lock.....	541
281.02.ARD - Walker lock 2/tri-seal lid.....	543
ECMA.....	545
100.01.....	545
110.01.....	547
120.01.....	549
130.01.....	551
140.01.....	553
150.01.....	555
160.01.....	557
170.01.....	559
171.01.....	561
180.01.....	563
50.01a.....	565
60.01.....	567
70.01.....	569
80.01.....	571
90.01.....	573
6. Resizable Design Templates.....	576
ECMA.....	576
A20.20.01.01.....	576
A20.20.01.03.....	577
A20.20.03.01.....	578
A20.20.03.03.....	579
A20.21.03.03.....	580
B10.02.00.00.....	581
B10.04.00.00.....	582

B15.06.00.00.....	583
B40.20.82.50.....	584
F70.54.00.00.....	585
F70.62.00.00.....	585
FEFCO.....	586
0200.....	586
0201.....	587
0215.....	588
0216.....	589
0304.....	590
0307.....	591
0322.....	592
0323.....	593
0351.....	594
0401.....	595
0404.....	596
0406.....	597
0412.....	598
0421.....	599

1. Location and Copyright

Esko

Kortrijksesteenweg 1095

BE-9051 Gent

Belgium

Tel.: (32) (9) 216-92-11

Fax: (32) (9) 216-94-64

Other offices worldwide.

Written and revised by Adam Hartfield, November 2018.

For use with ArtiosCAD and ArtiosCAD Enterprise version 18.0.1 or greater.

© Copyright 2018 Esko Software BVBA, Gent, Belgium.

All rights reserved. This material, information and instructions for use contained herein are the property of Esko Software BVBA. The material, information and instructions are provided on an AS IS basis without warranty of any kind. There are no warranties granted or extended by this document. Furthermore Esko Software BVBA does not warrant, guarantee or make any representations regarding the use, or the results of the use of the software or the information contained herein. Esko Software BVBA shall not be liable for any direct, indirect, consequential or incidental damages arising out of the use or inability to use the software or the information contained herein.

The information contained herein is subject to change without notice. Revisions may be issued from time to time to advise of such changes and/or additions.

No part of this document may be reproduced, stored in a data base or retrieval system, or published, in any form or in any way, electronically, mechanically, by print, photoprint, microfilm or any other means without prior written permission from Esko Software BVBA.

This document supersedes all previous dated versions.

This software is based in part on the work of the Independent JPEG Group.

Adobe, Acrobat, Illustrator, and PostScript are either registered trademarks or trademarks of Adobe Systems Incorporated in the United States and/or other countries.

Apple and QuickTime are registered trademarks of Apple, Inc.

Microsoft and the Microsoft logo are registered trademarks of Microsoft Corporation in the United States and other countries.

The Esko software may contain an implementation of the LZW algorithm licensed under U. S. Patent 4,558,302 and foreign counterparts.

The Esko software may contain the "RSA Data Security, Inc. MD5 Message-Digest Algorithm."

Java and all Java-based trademarks and logos are trademarks or registered trademarks of Sun Microsystems in the U.S. and other countries.

Strip Clip, Strip Fork and Strip Clip[®] System are products, registered trademarks and patents of Vossen Profitec[®] GmbH Germany.

OpenGL is a registered trademark of Silicon Graphics, Inc.

Contains PowerNest library Copyrighted and Licensed by Alma, 2005 – 2007.

The geometry macros contained with this release of ArtiosCAD to facilitate the use of Vossen Profitec components are approved by Vossen Profitec GmbH and are used with their permission. The Vossen Prax[®] documentation should be consulted and used to ensure correct use and placement of these geometry macros. The shapes and offsets used are in accordance with Vossen Profitec GmbH specifications. Usage and placement of these geometry macros to ensure effective stripping performance however, remains the responsibility of the user. Vossen Profitec GmbH may be contacted for details of worldwide representation at (49) (7771) 920-136 or by e-mail at info@vossen-profitec.de.

This software may use libxml2 - Copyright © 1998-2003 Daniel Veillard - All rights reserved.

All other product names are trademarks or registered trademarks of their respective owners.

Correspondence regarding this publication should be forwarded to:

Esko

Kortrijksesteenweg 1095

BE-9051 Gent

Belgium

info.eur@esko.com

2. Welcome

Introduction

ArtiosCAD has pre-made design file templates called standards. These standards are grouped in style catalogs. This book is a reference of each standard contained in the ArtiosCAD Corrugated style catalog, the FEFCO style catalog, the Display Standards style catalog, and the ArtiosCAD Folding Carton style catalog. Style catalogs from other Esko products may be installed on your machine; please refer to the reference manuals for those products for pictures of those standards.

Each design shown in this book was created using its default style choices. For those standards without folded documentation plots, single designs were created and then converted to 3D.

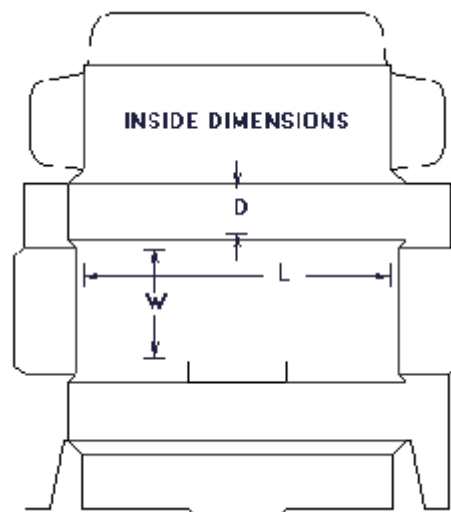
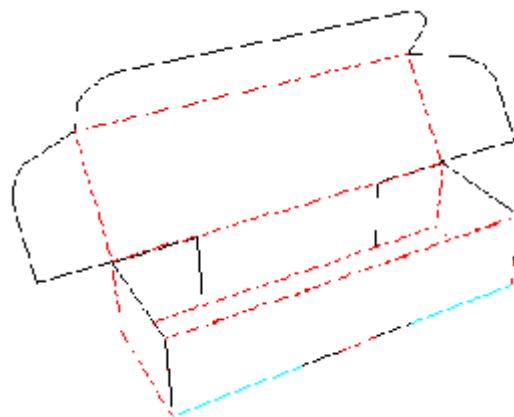
You can add your own designs to the Style Catalogs in the Defaults module of ArtiosCAD. For more information, see the Defaults chapter of the ArtiosCAD Administrator Guide.

To learn more about using standards, see the Builder chapter of the ArtiosCAD User Guide.

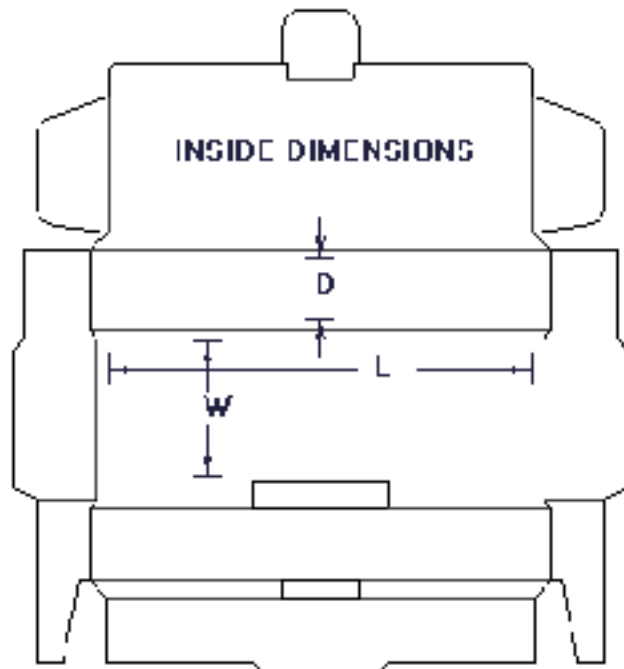
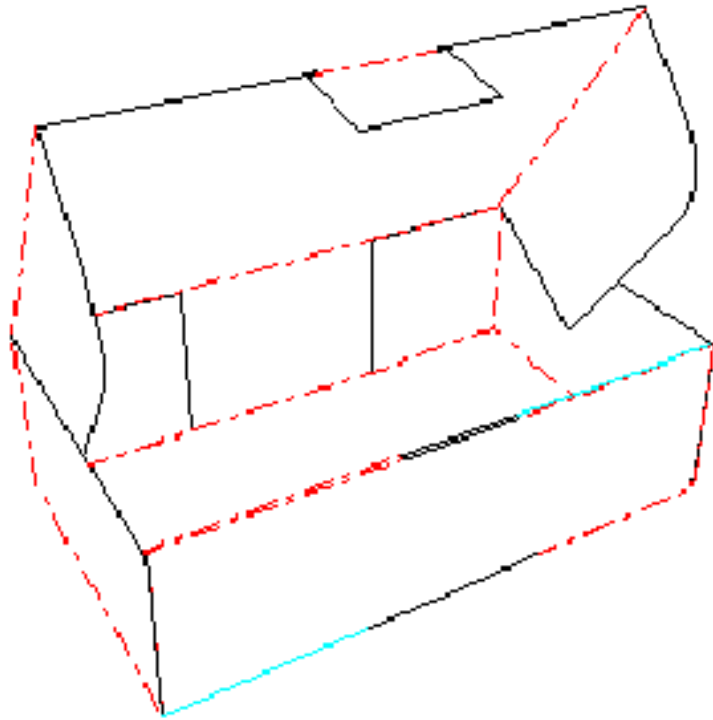
3. Corrugated Standards

One piece containers/1 side rollovers

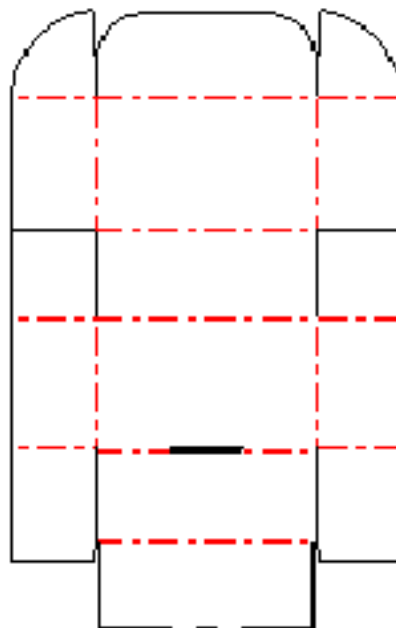
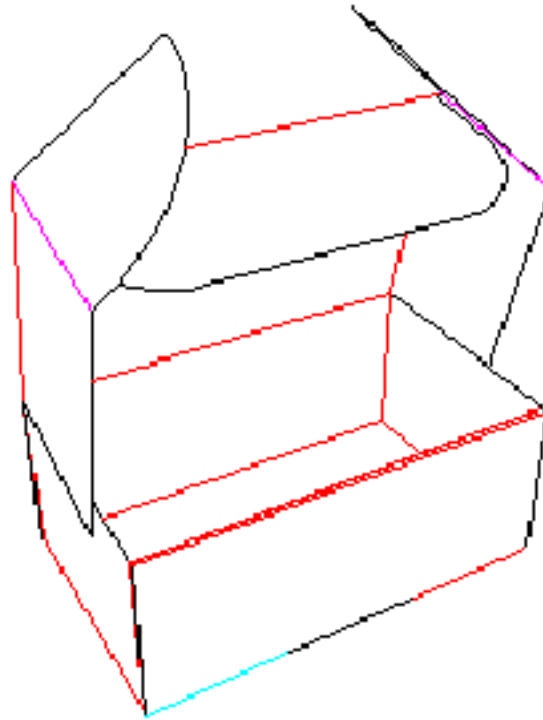
31010W - 1 side rollover - Cover flaps



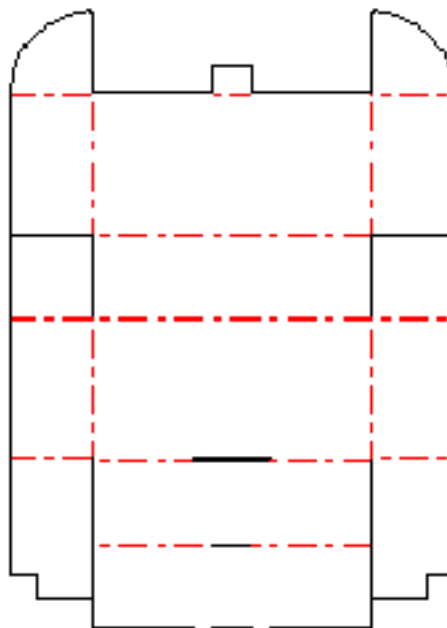
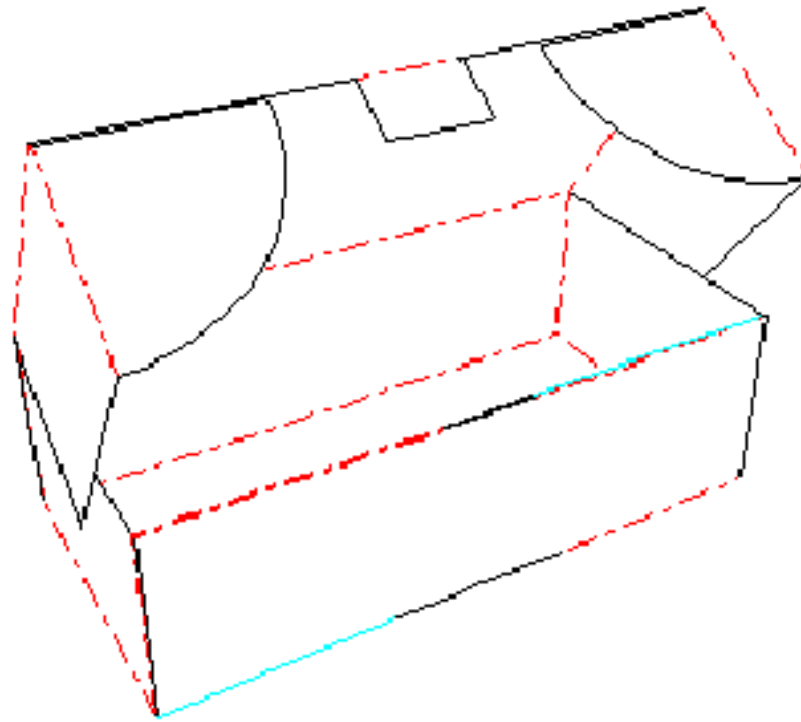
31015W - 1 side rollover - Cover flaps & lock



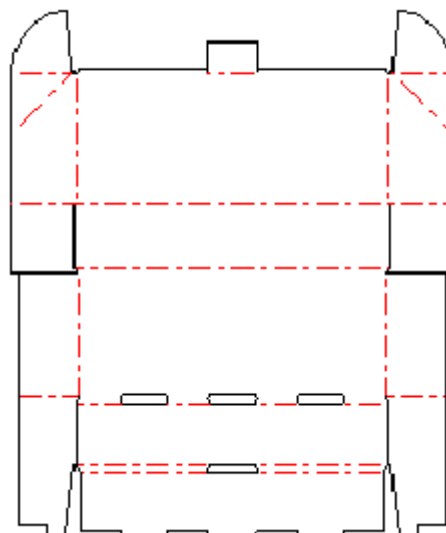
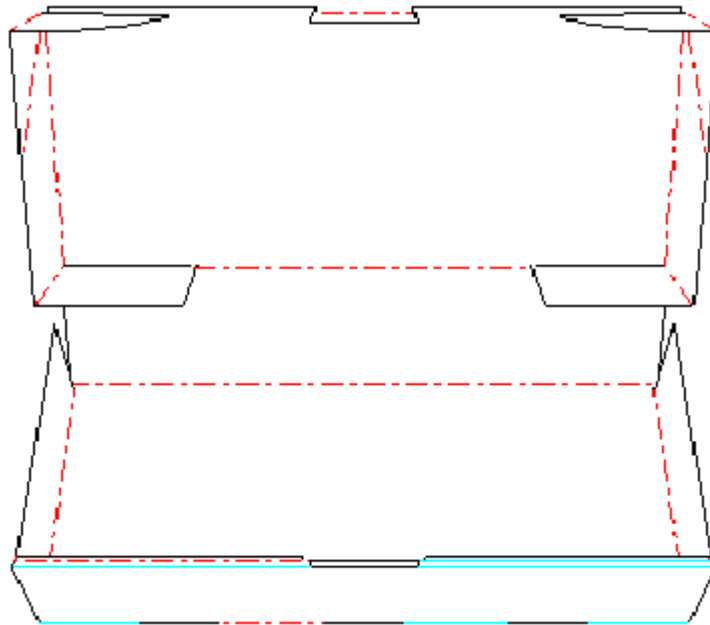
31020W - 1 side rollover - Ears



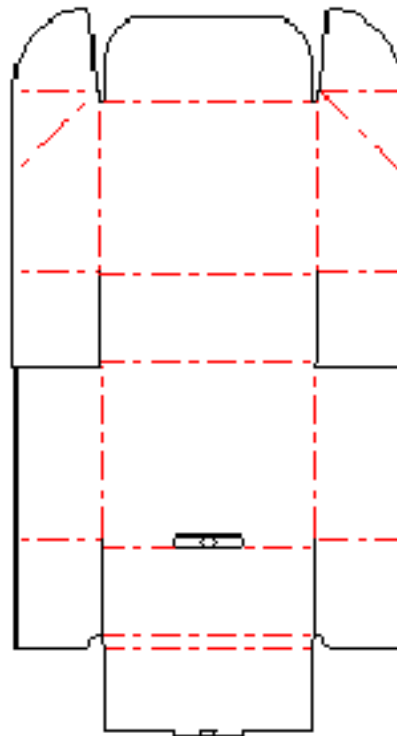
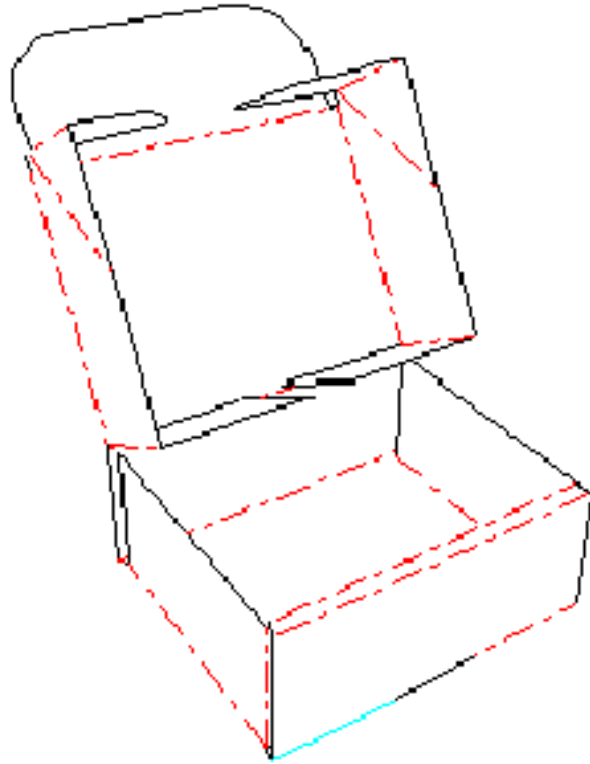
31025W - 1 side rollover - Ears & lock



31026W - 1 side rollover - Ears & lock/dust flaps off cover

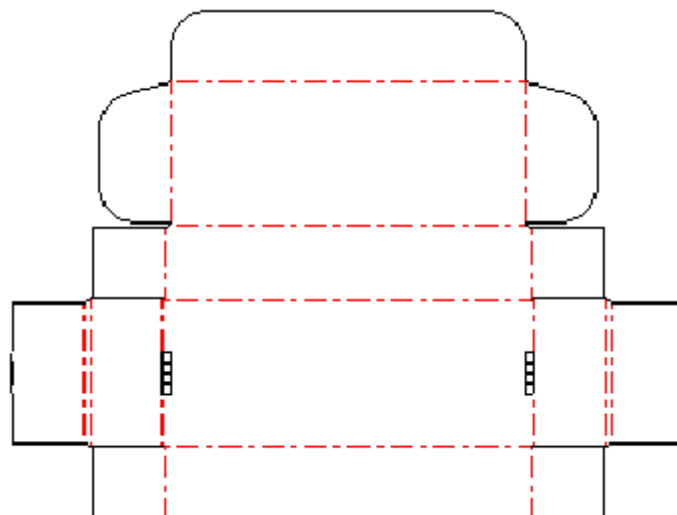
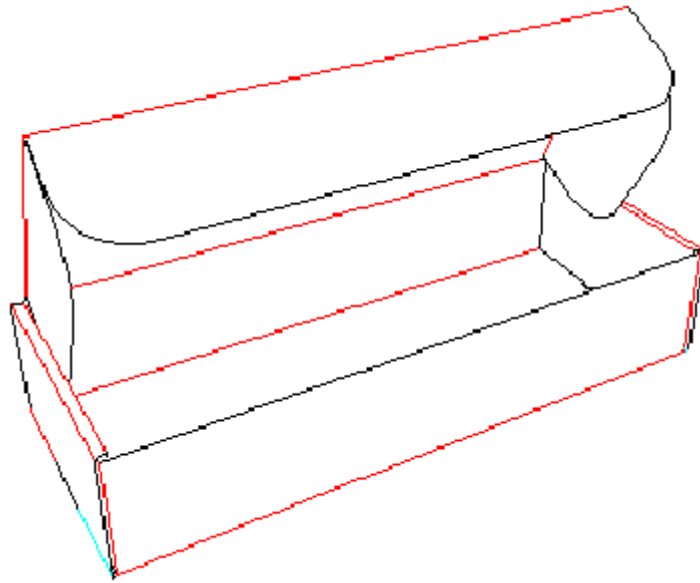


31021W - 1 side rollover - Ears / dust flaps off cover

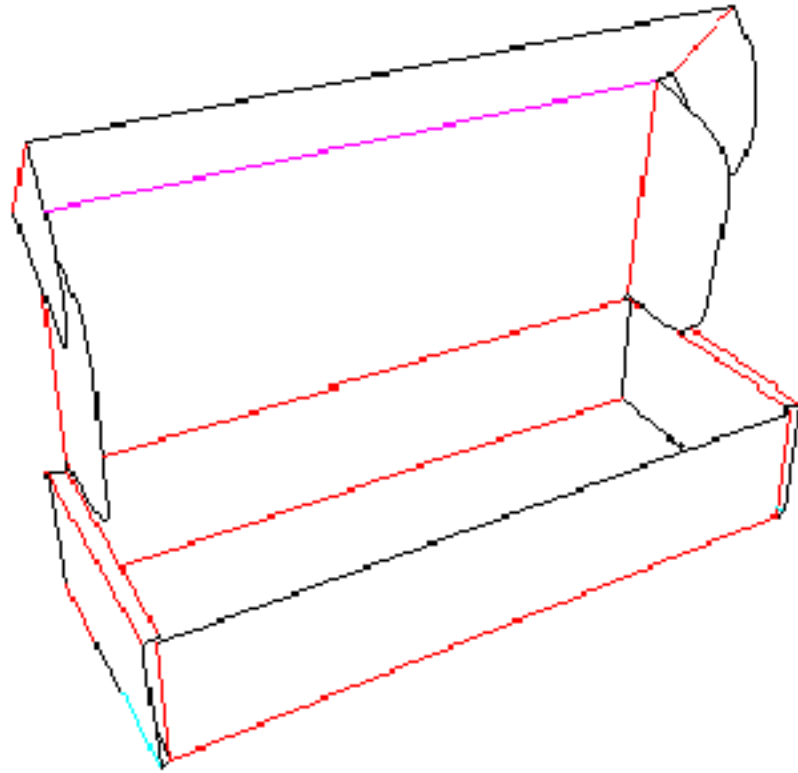


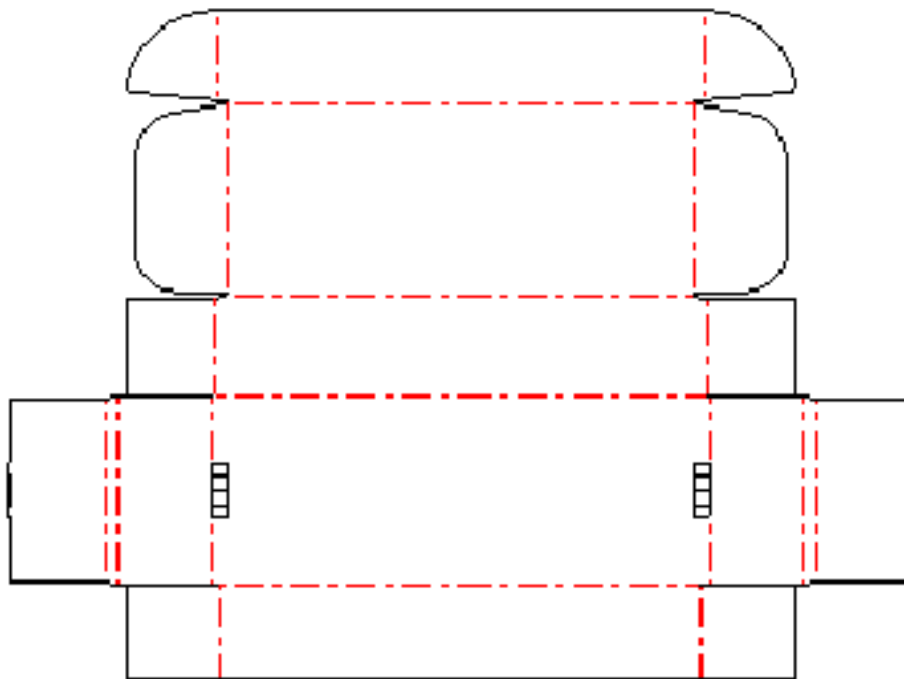
One piece containers/2 side rollovers

32015W - 2 side rollover - Cover flaps

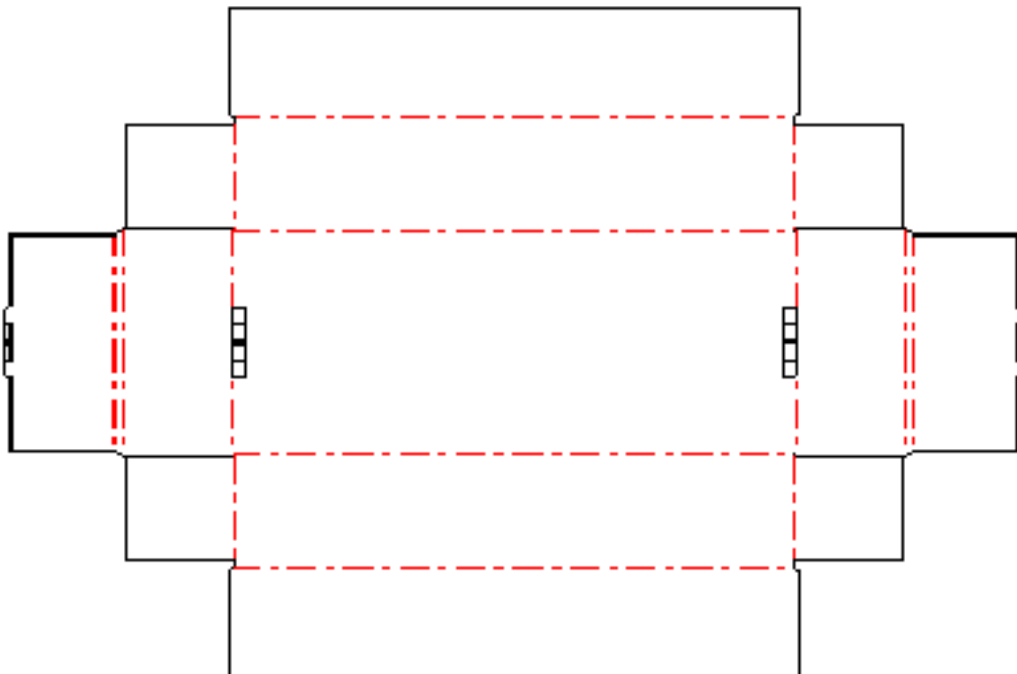
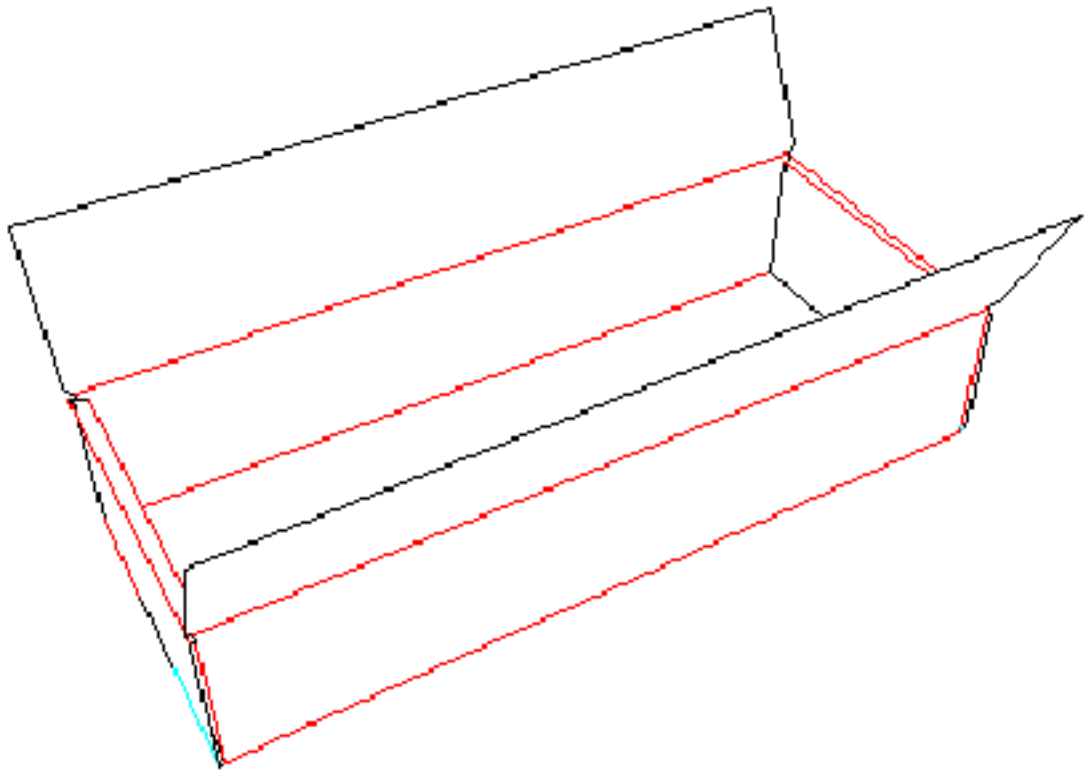


32025W - 2 side rollover - Cover flaps & ears

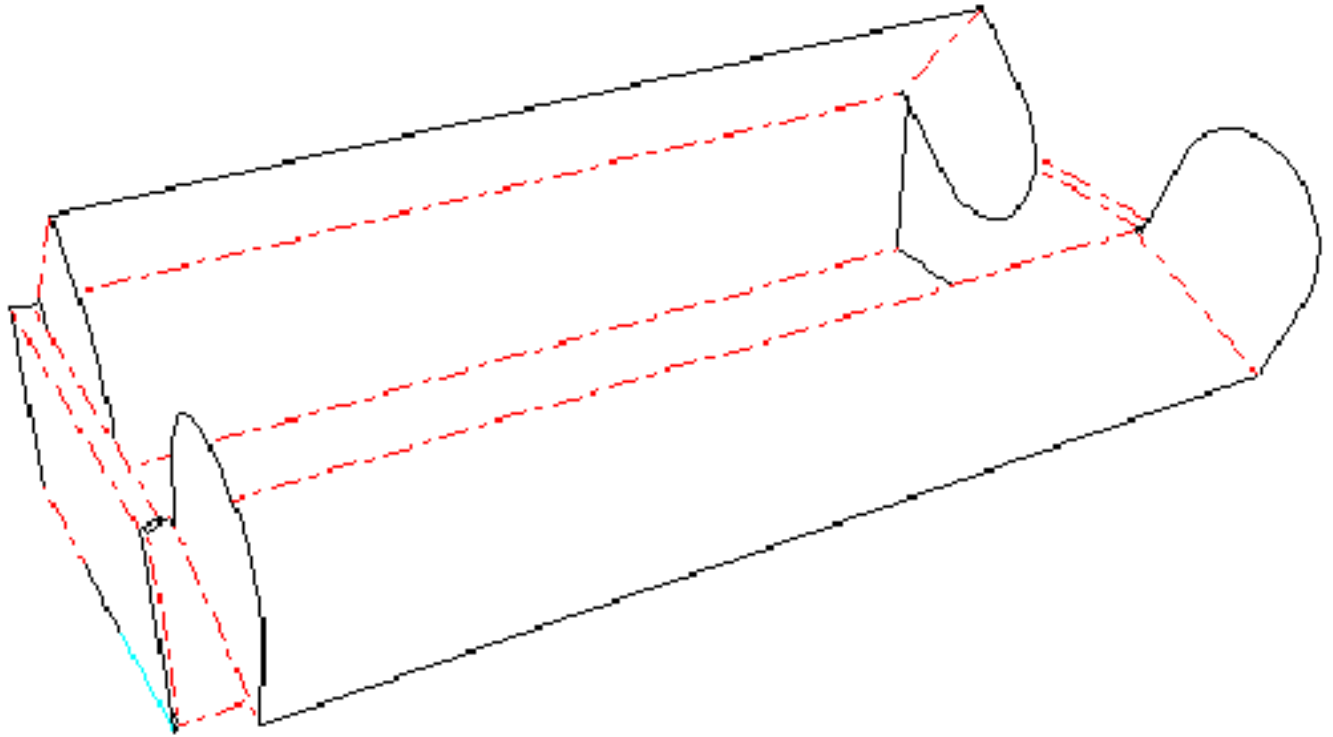


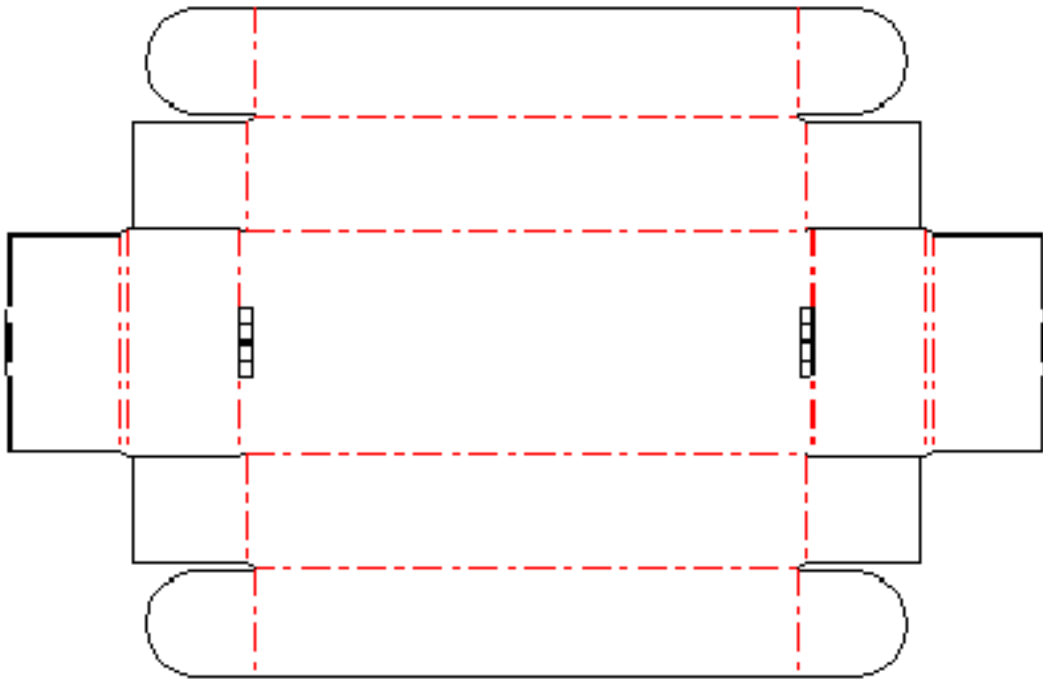


32030W - 2 side rollover - Cover panels meet

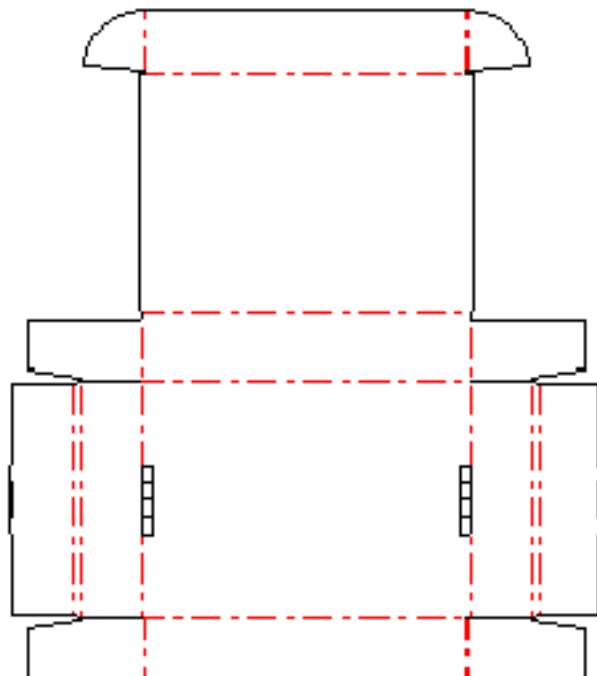
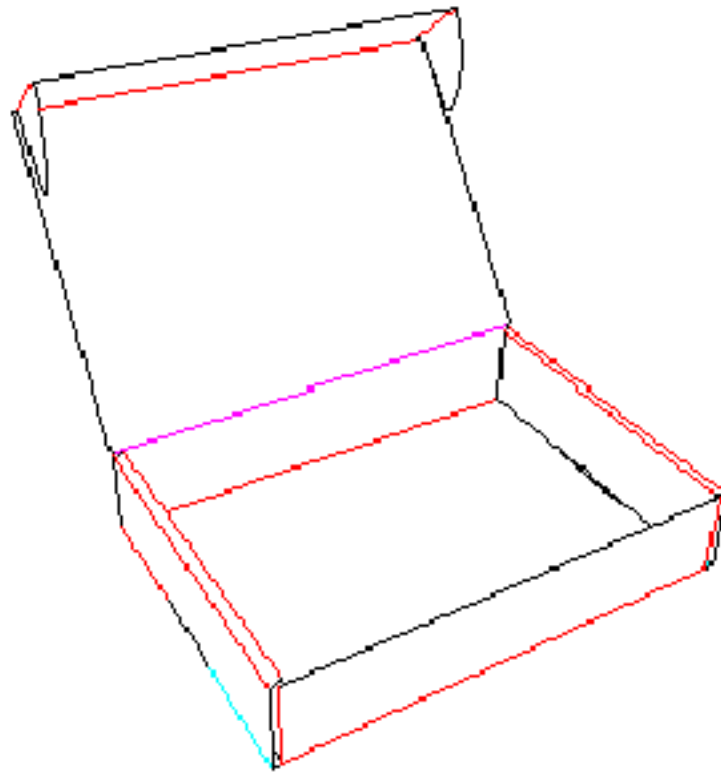


32035W - 2 side rollover - Cover panels meet/with flaps

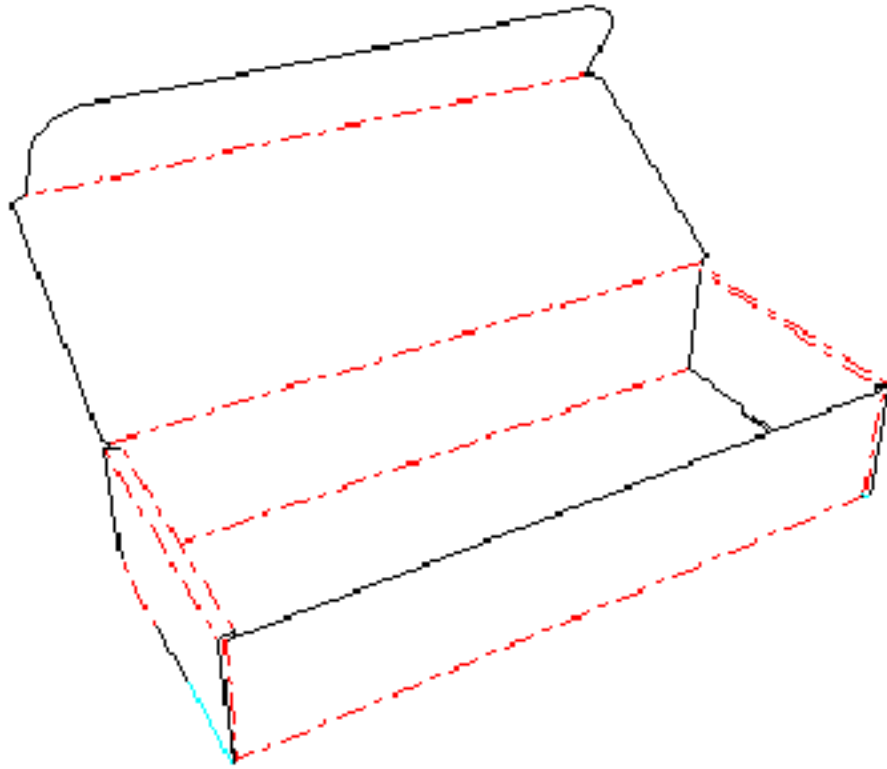


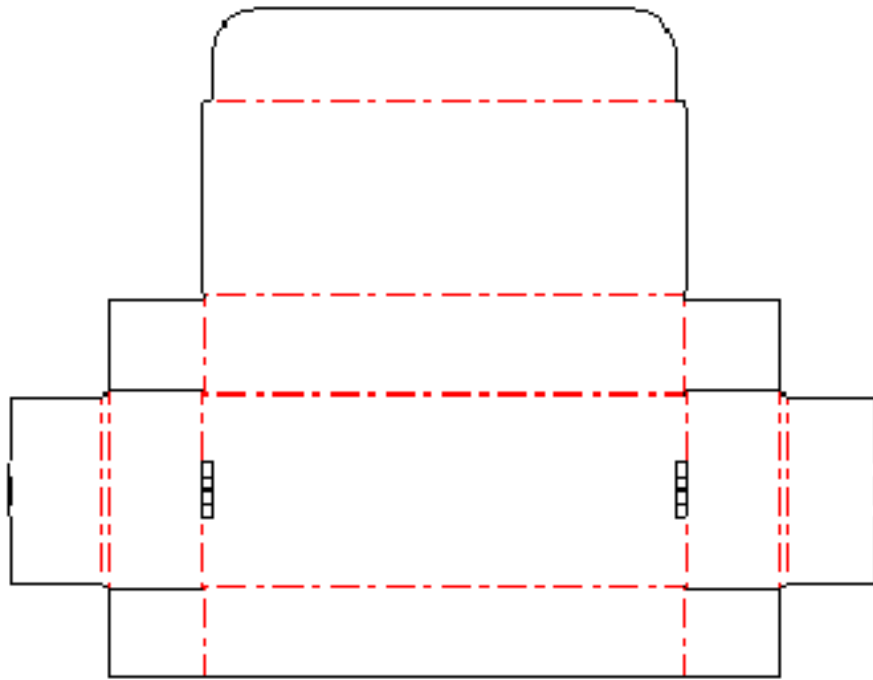


32020W - 2 side rollover - Ears



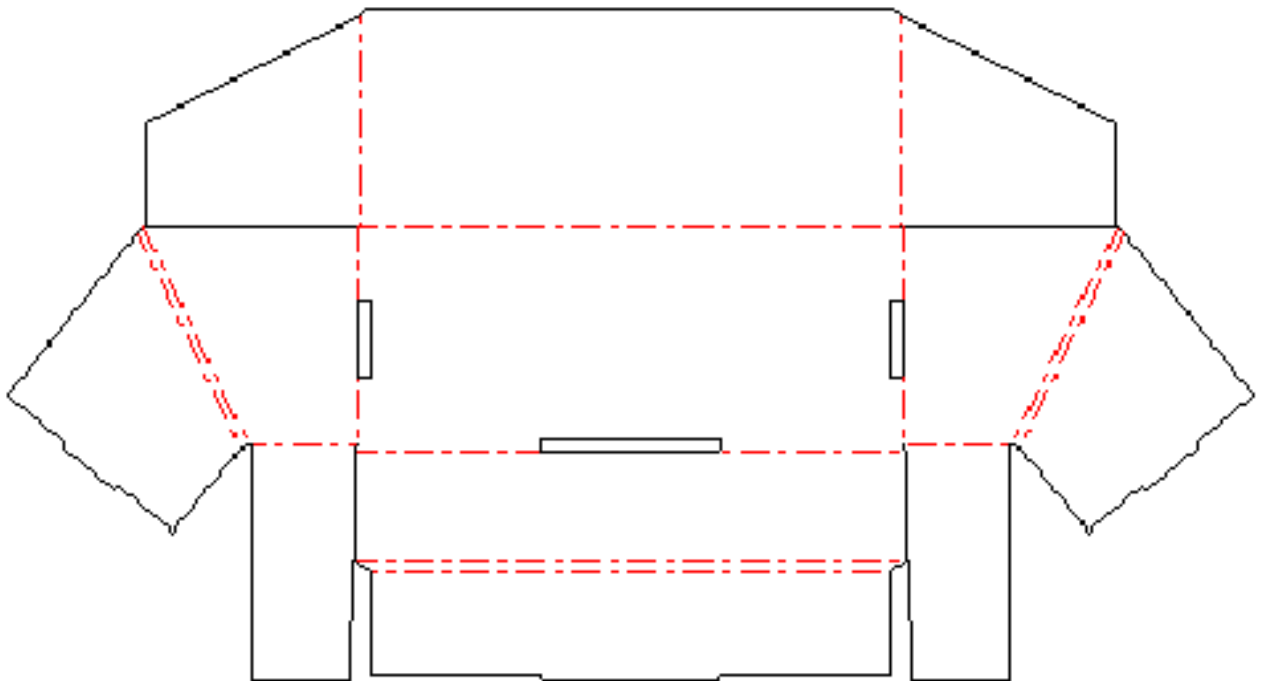
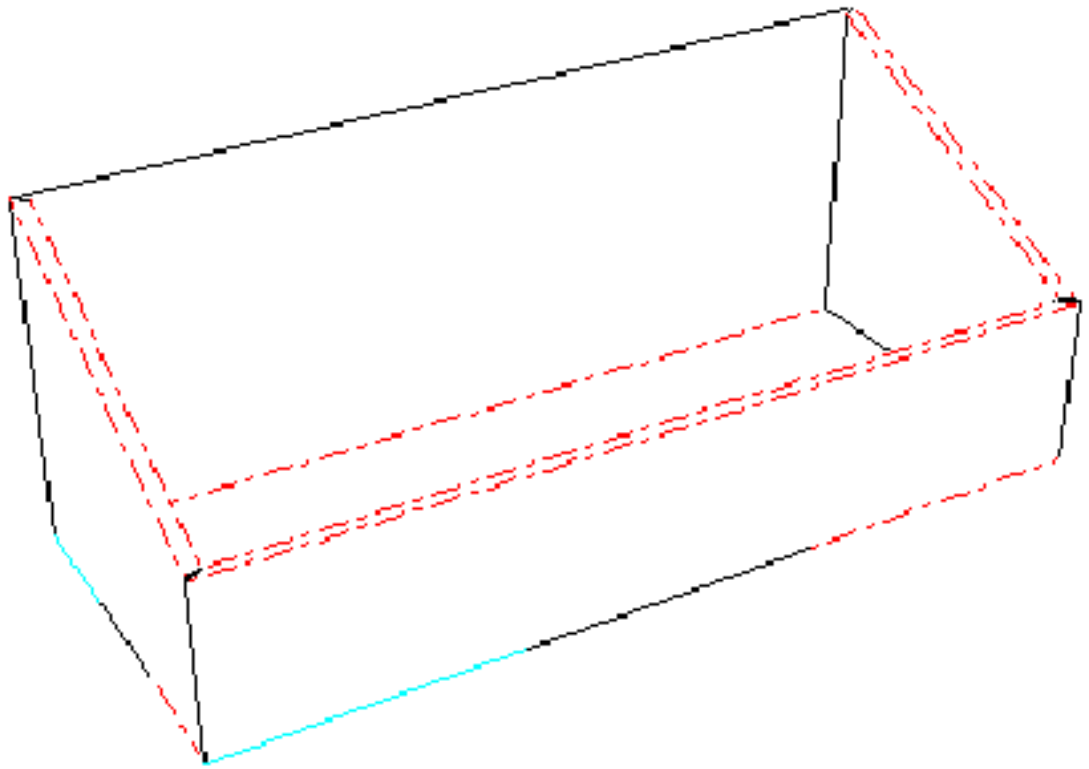
32010W - 2 side rolover - Tuck



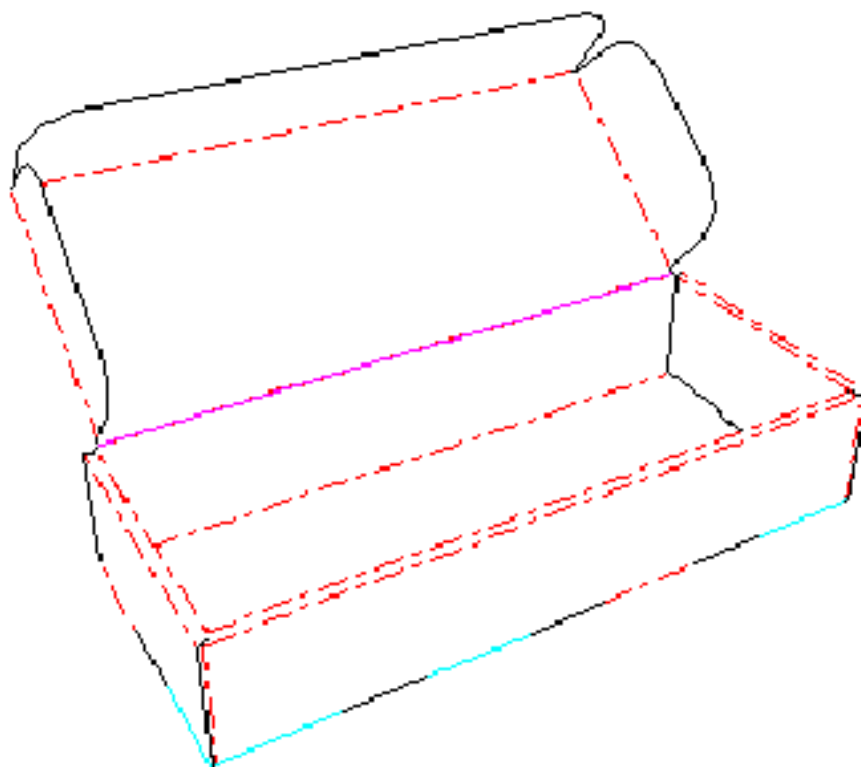


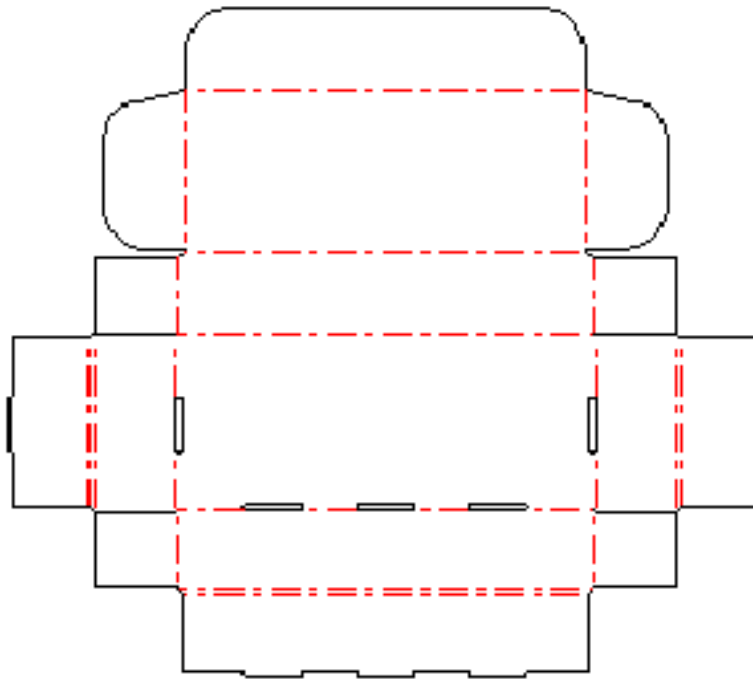
One piece containers/3 side rollovers

71035W - 3 side rolover - Angled side/header slots

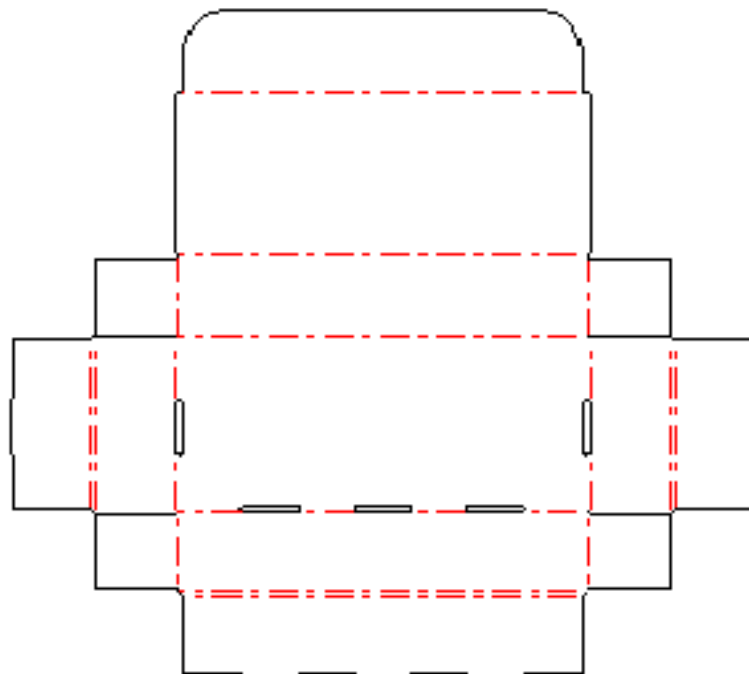
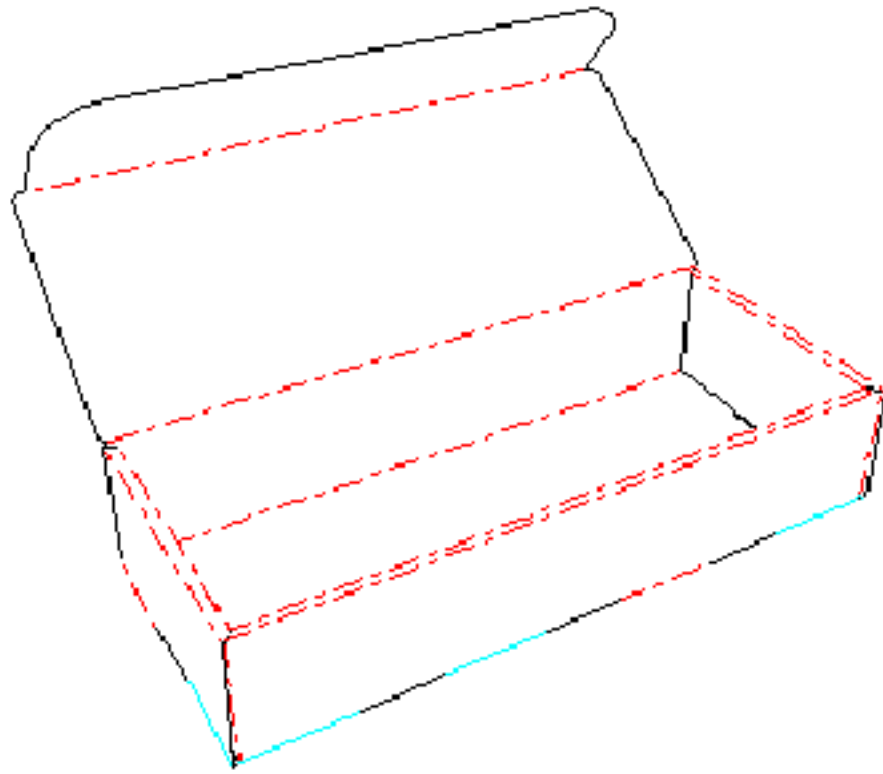


33015W - 3 side rollover - Cover flaps



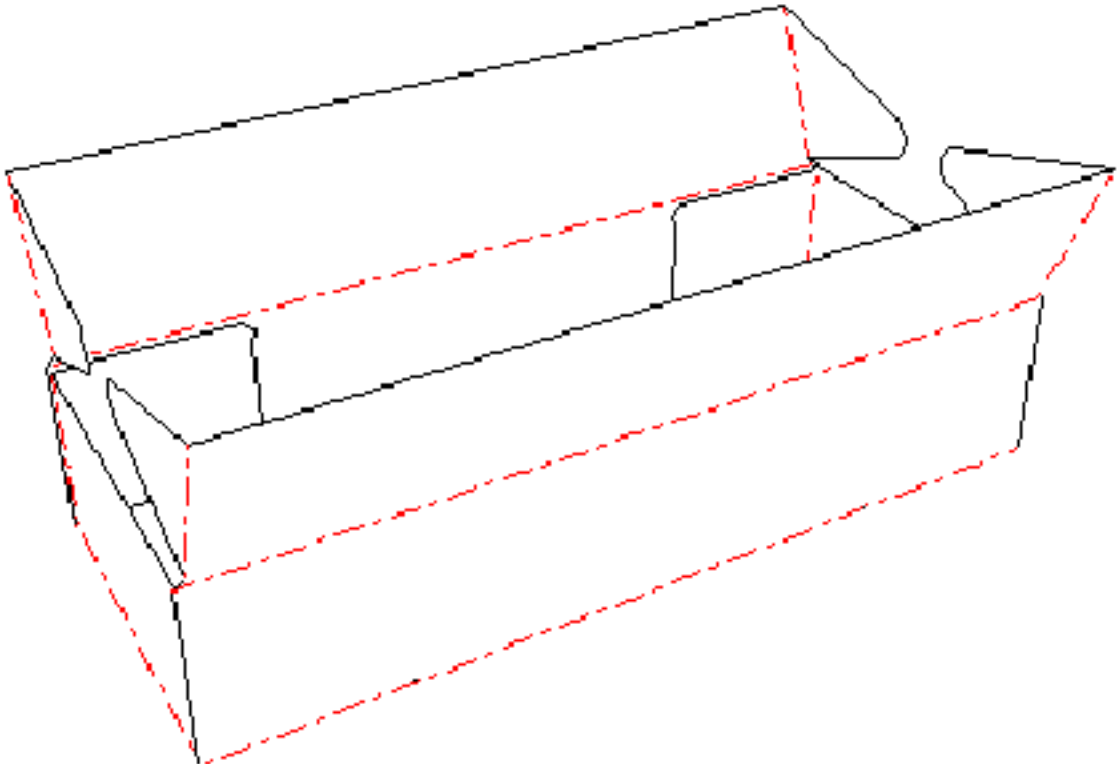


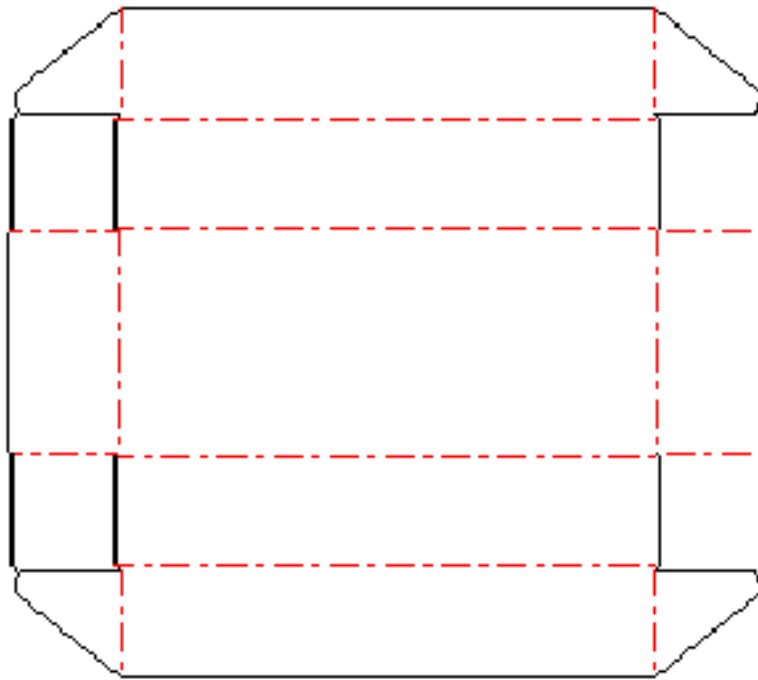
33010W - 3 side rollover - Tuck



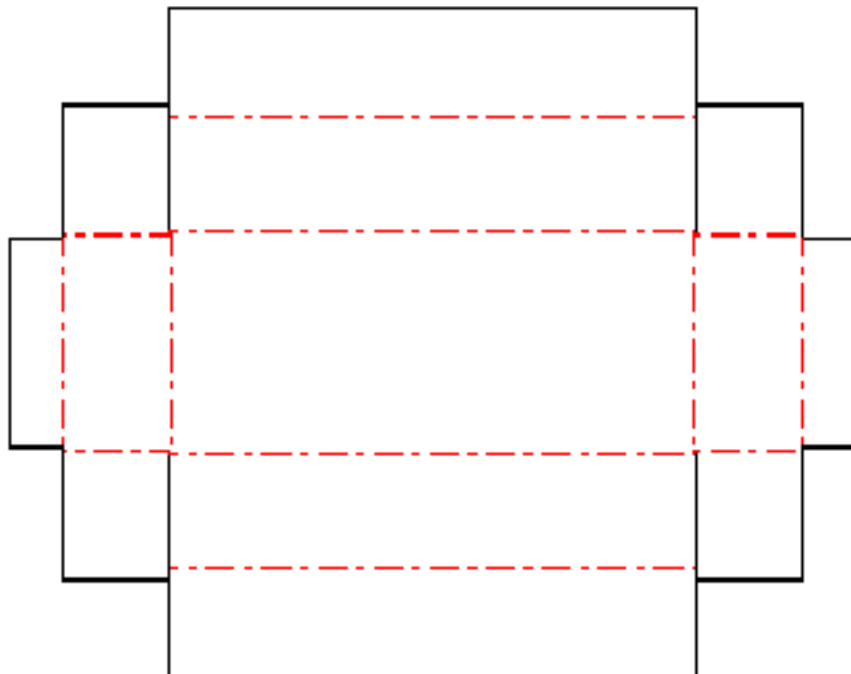
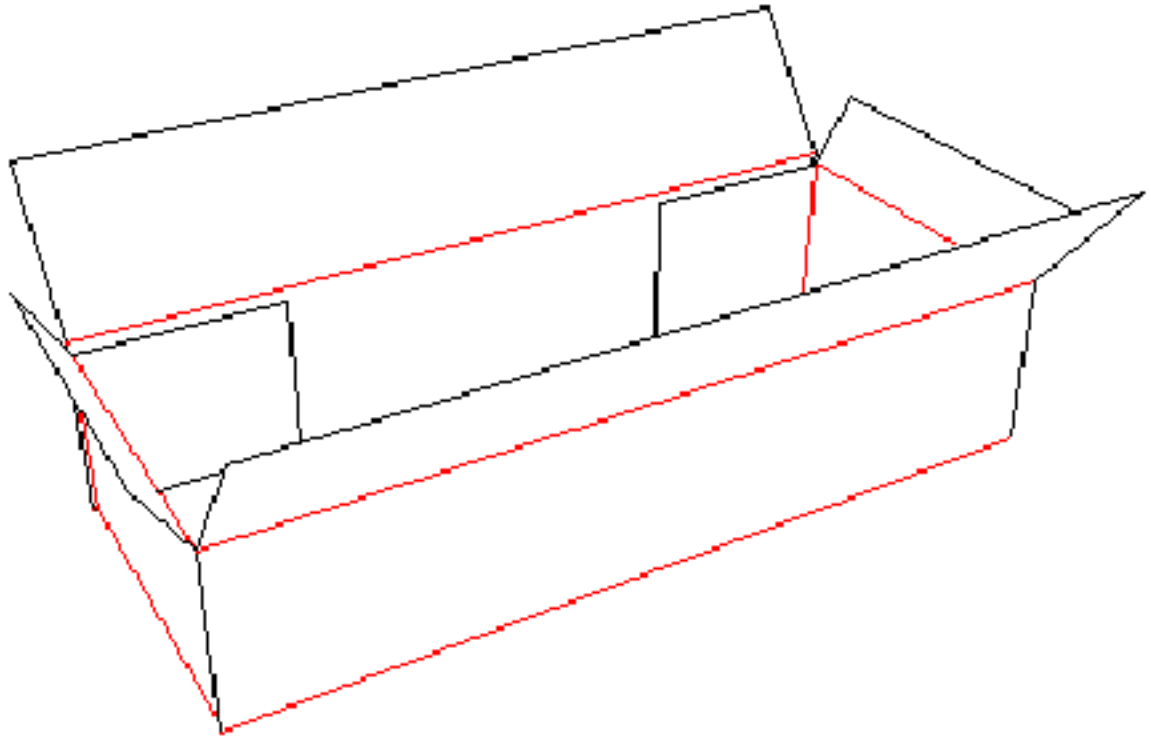
One piece containers/Center joint

36025W - Center joint - With dust & cover flaps

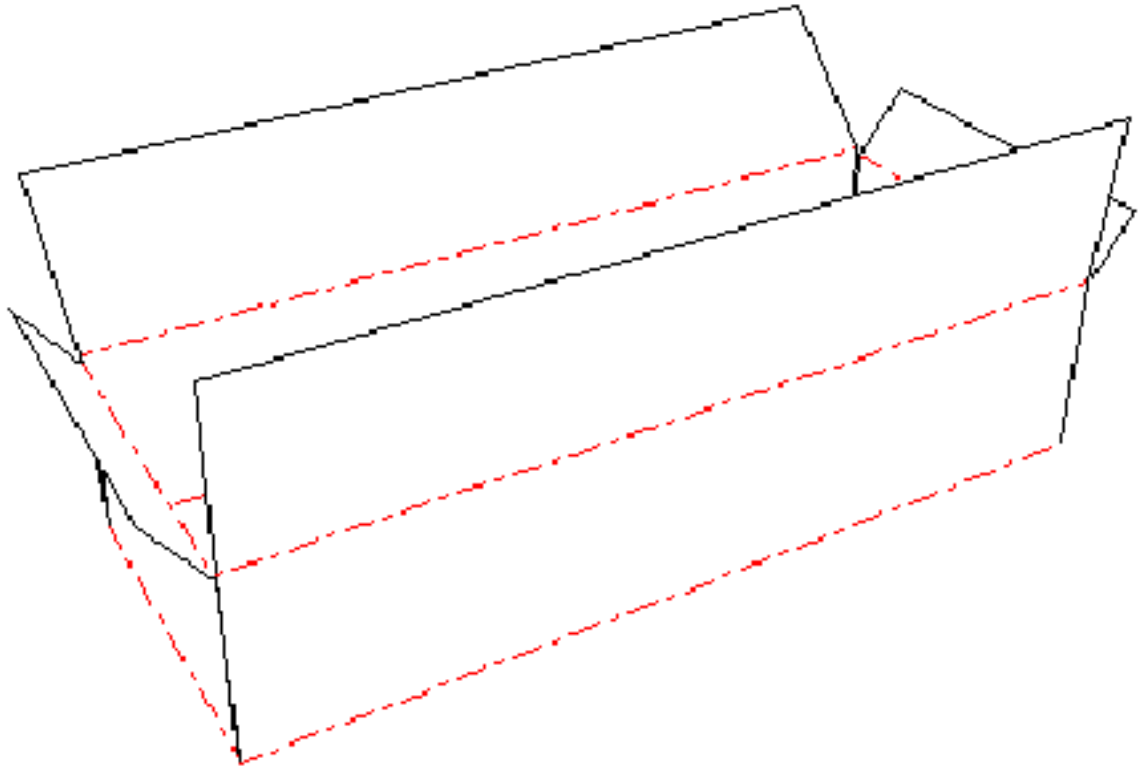


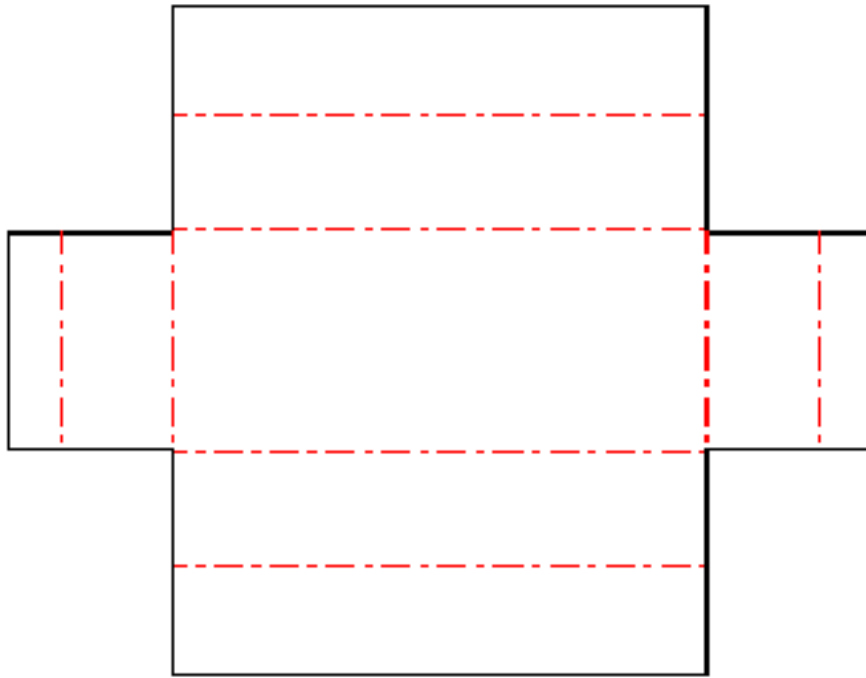


36020W - Center joint - With dust flaps



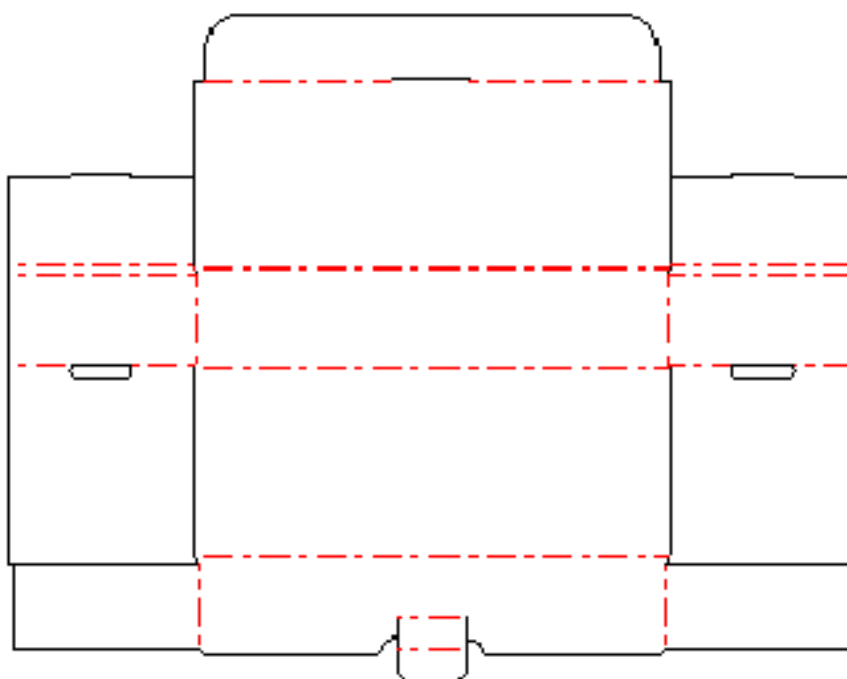
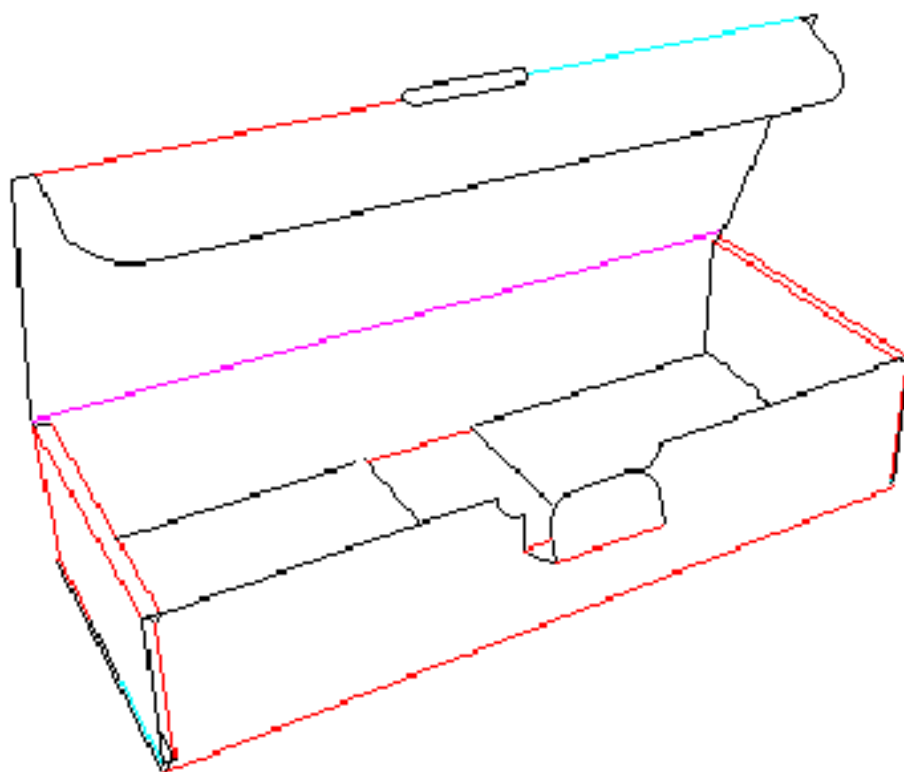
36010W - Center joint - Without dust flaps



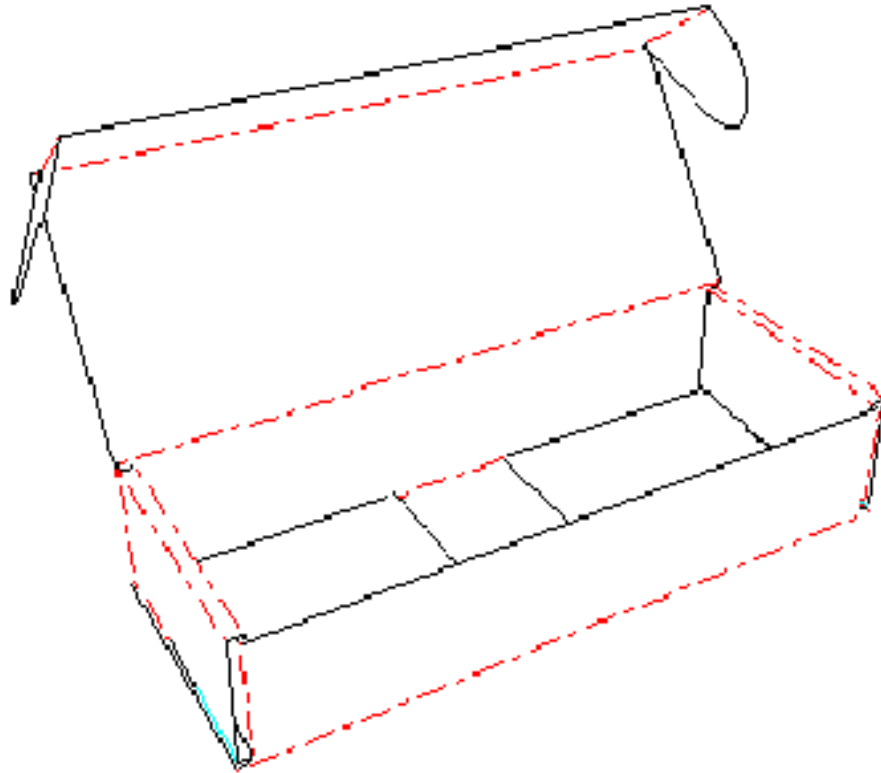


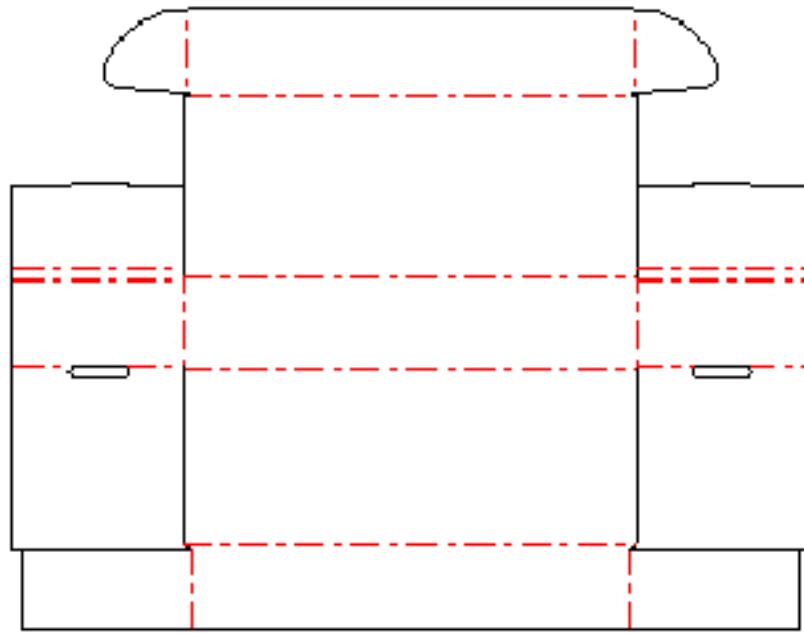
One piece containers/Swing-in rollover

34011W - Swing-in rollover

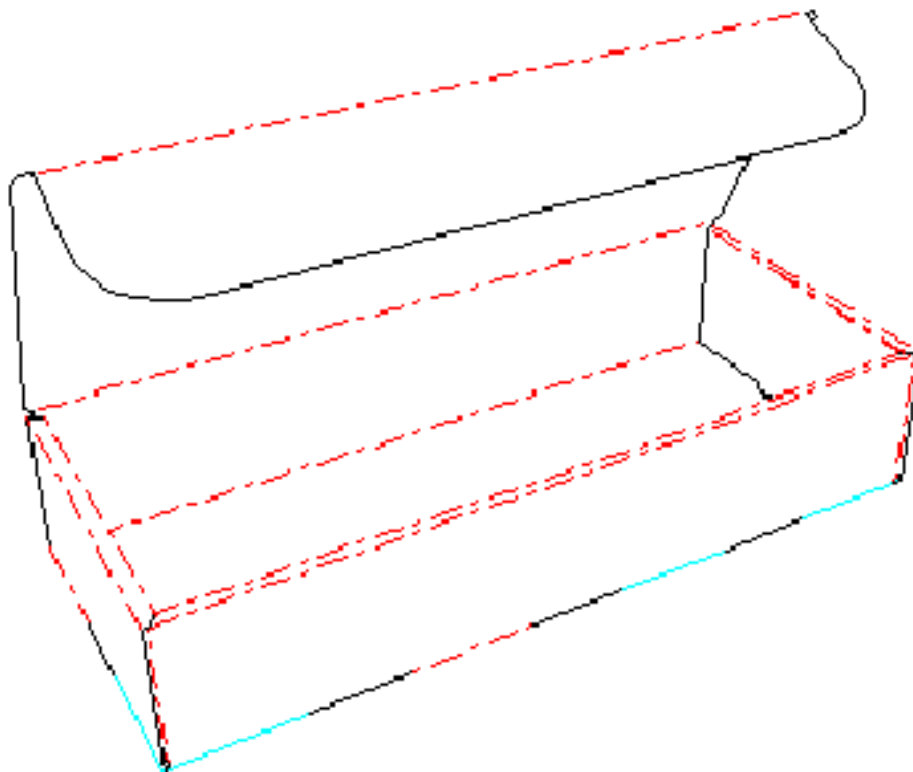


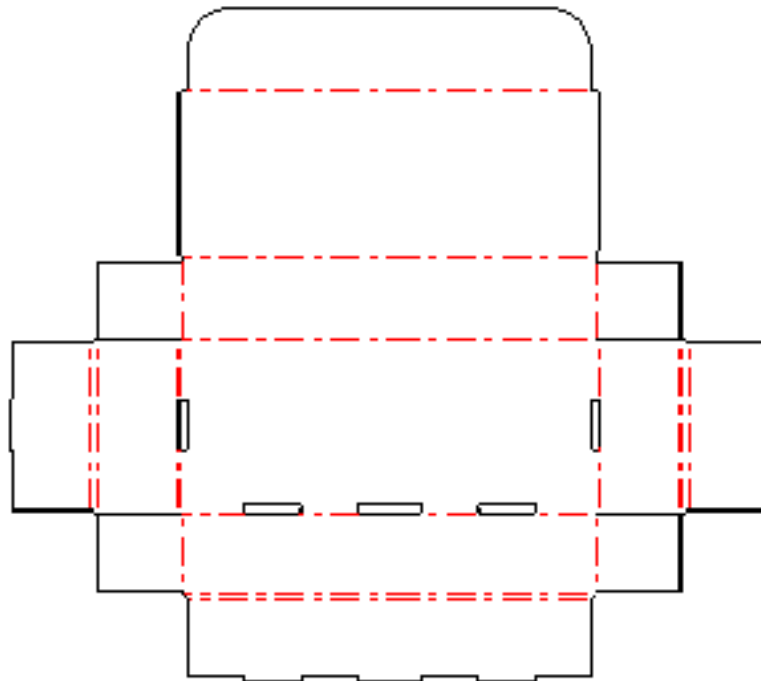
34020W - Swing-in rolover





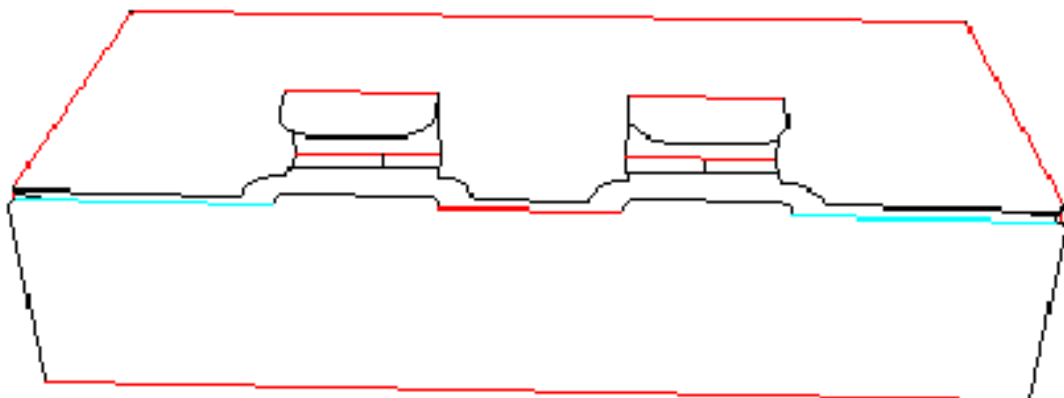
34010W - Swing-in rolover - Tuck

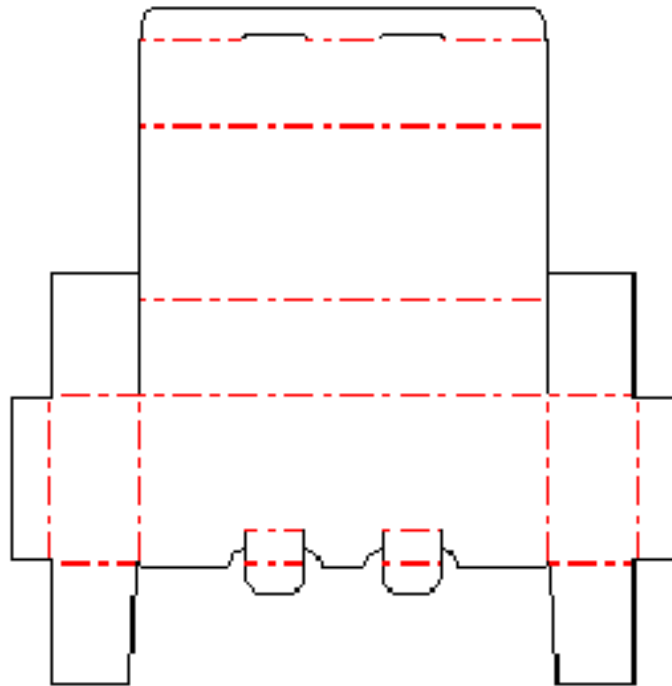




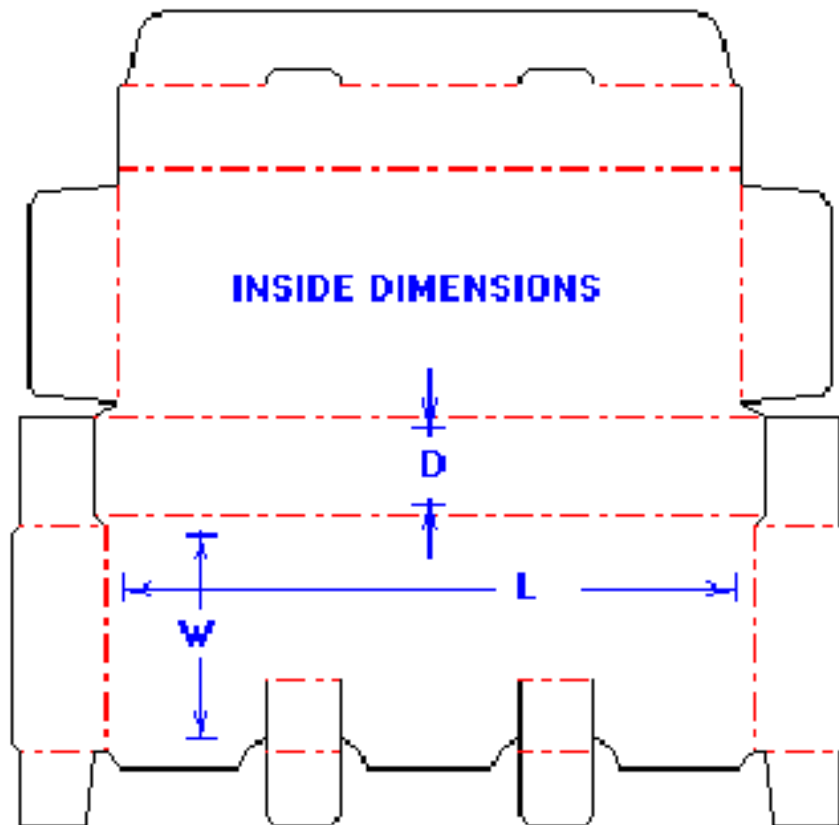
One piece containers/Wrap around

36030W - Wrap-around - Tuck with optional lock



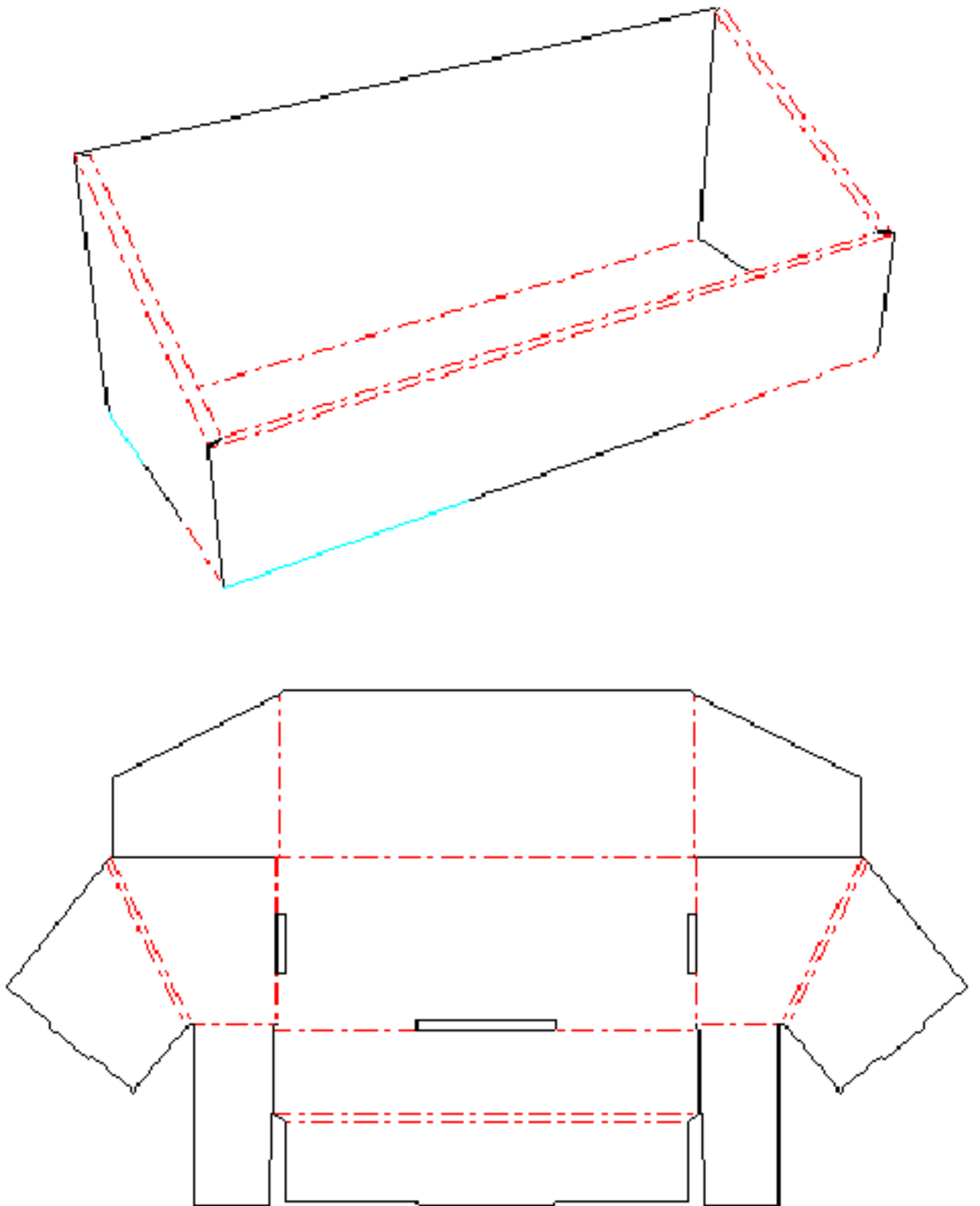


36035W - Wrap-around - Tuck/cover flaps/optional lock

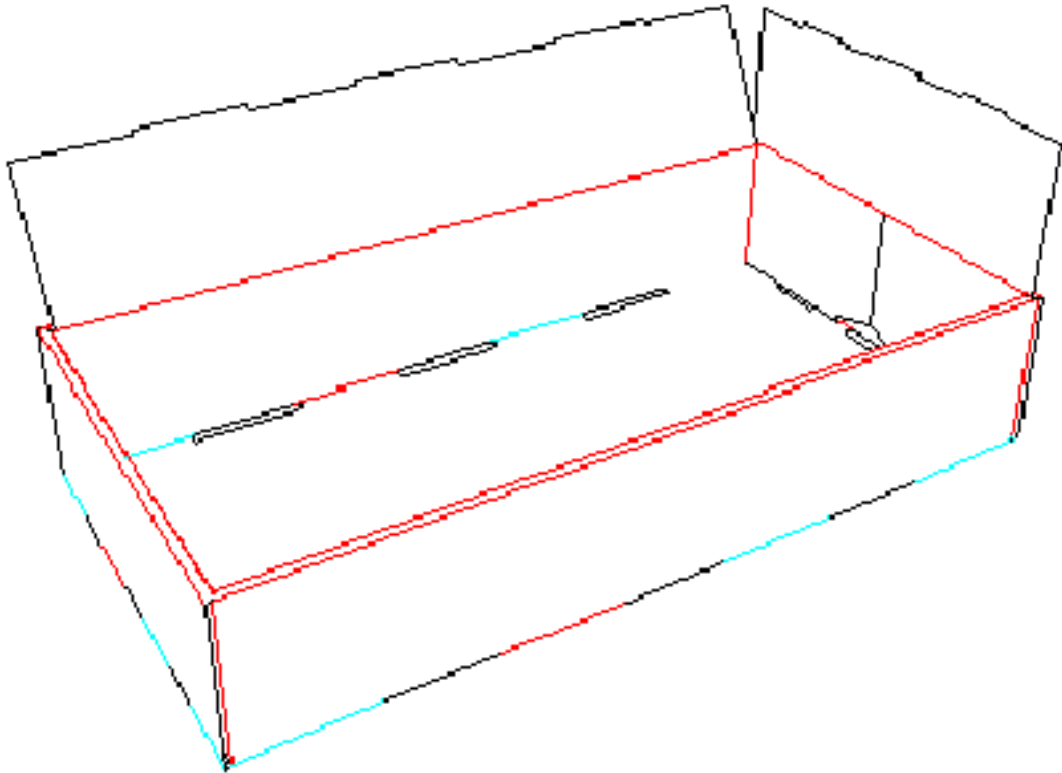


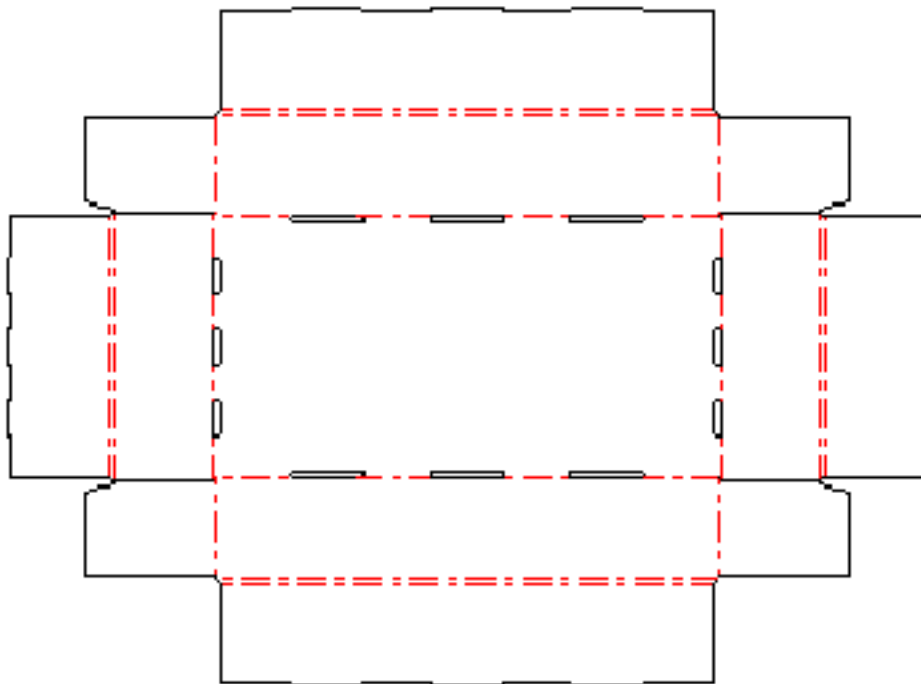
Trays

71035W - Trays - Angled side/with header slots

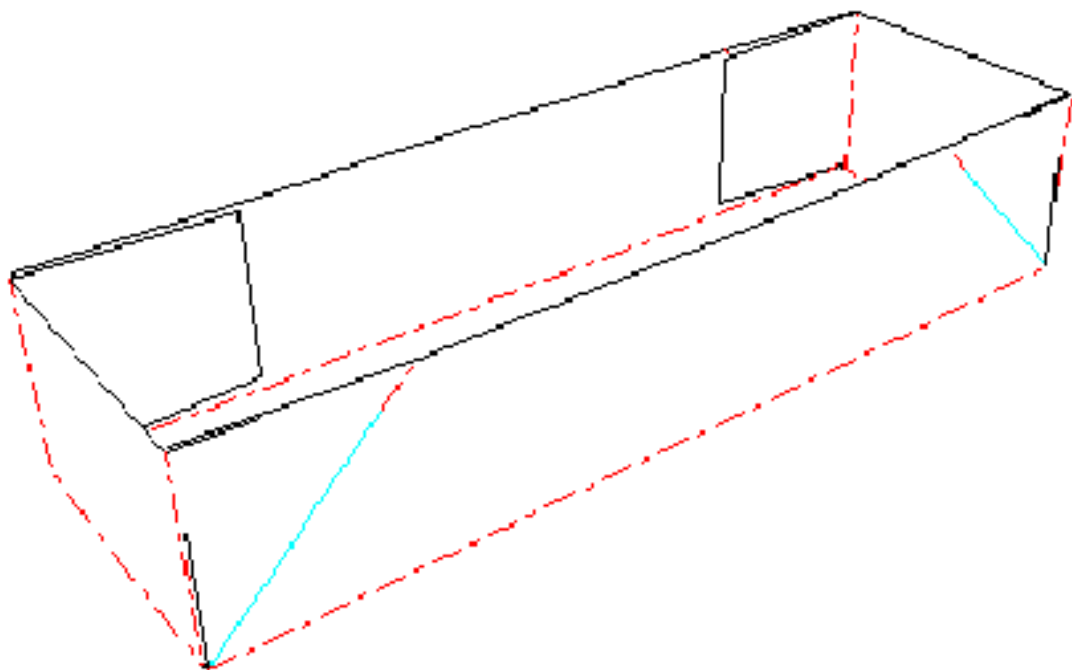


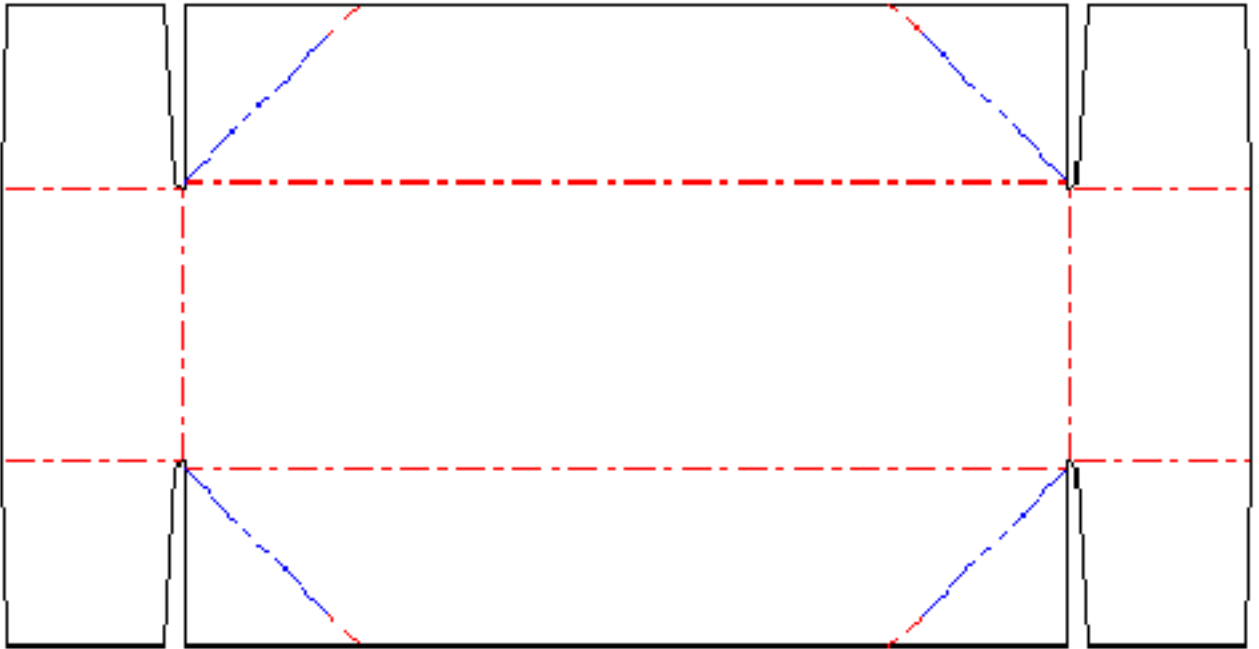
42020W - Trays - Four side rollover



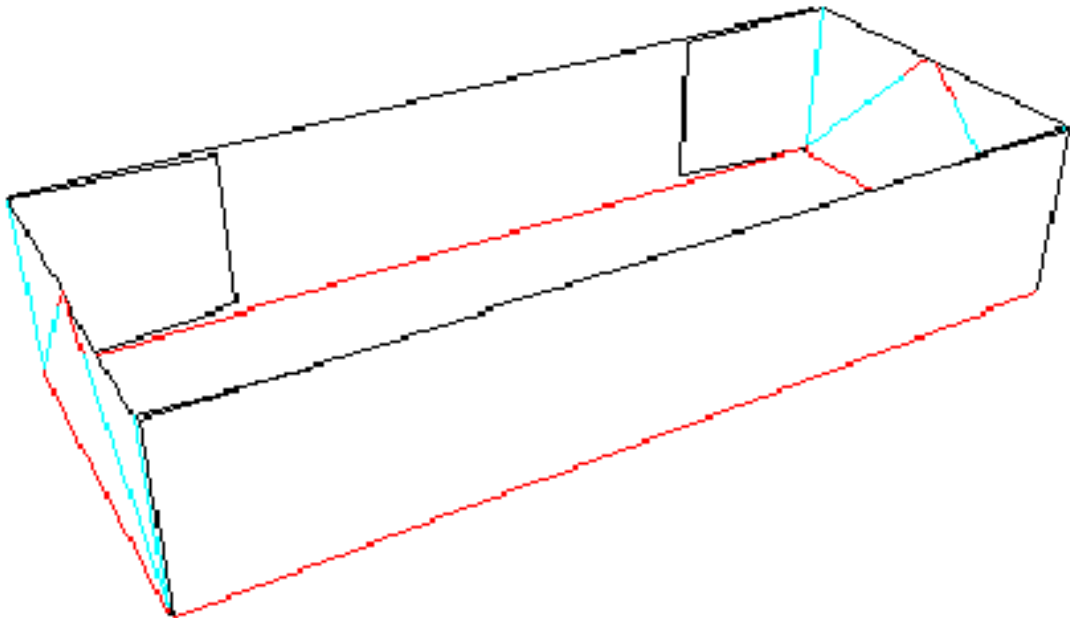


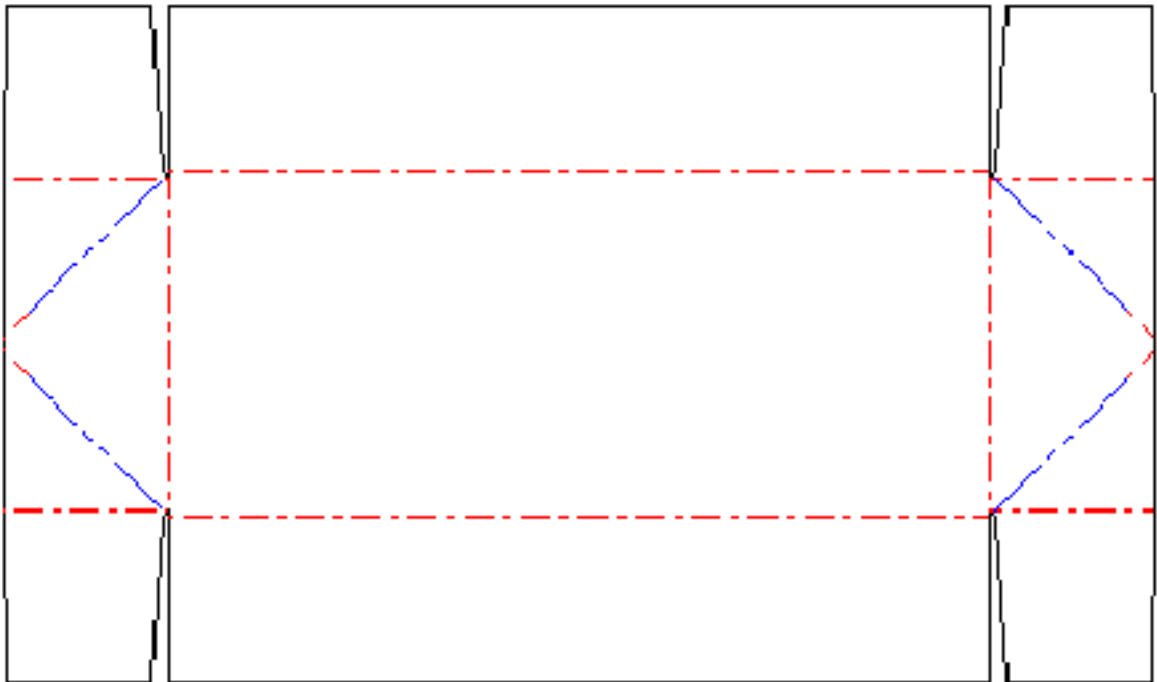
42030W - Trays - Preglued infold



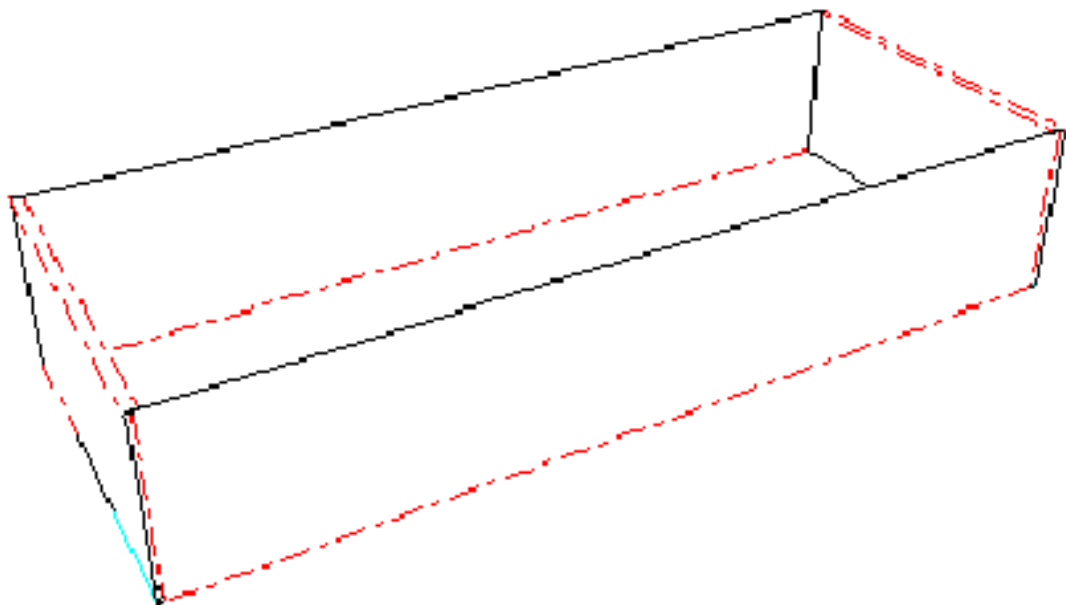


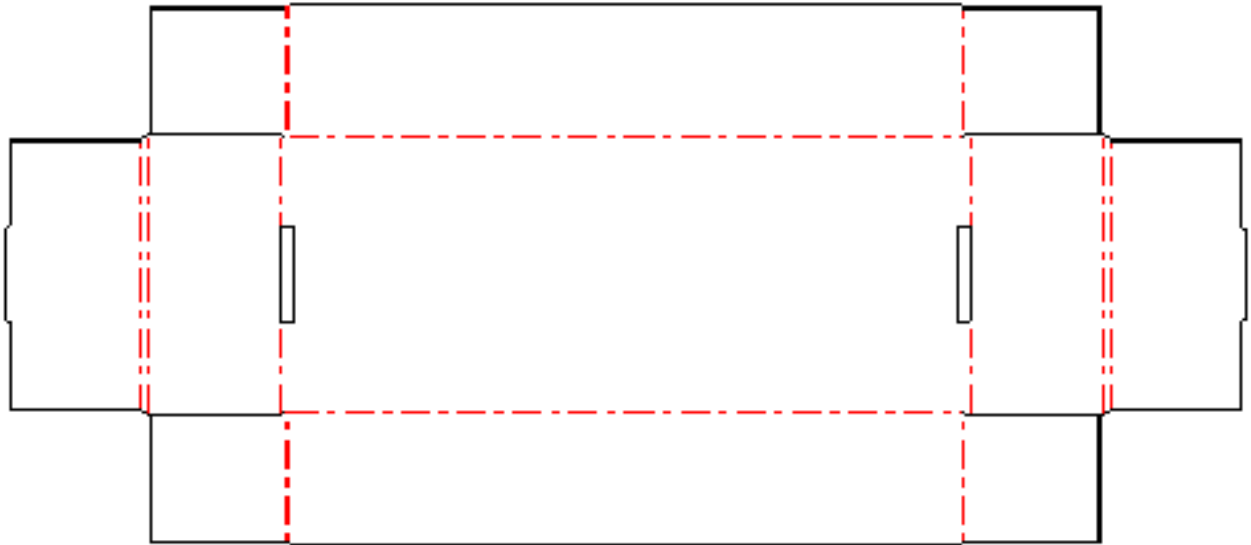
42035W - Trays - Preglued outfold





42010W - Trays - Two side rollover



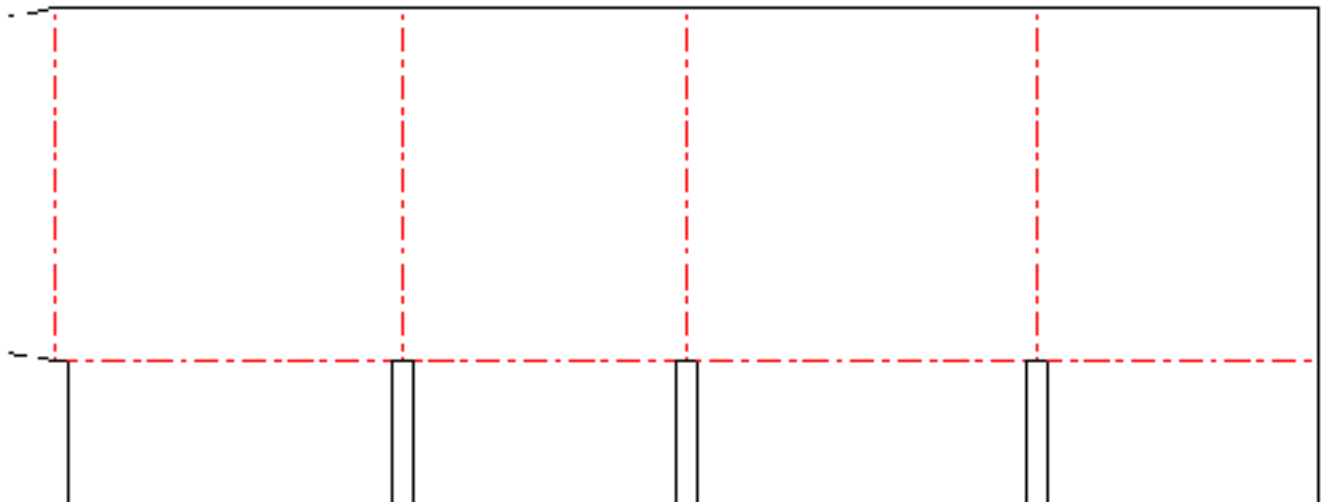
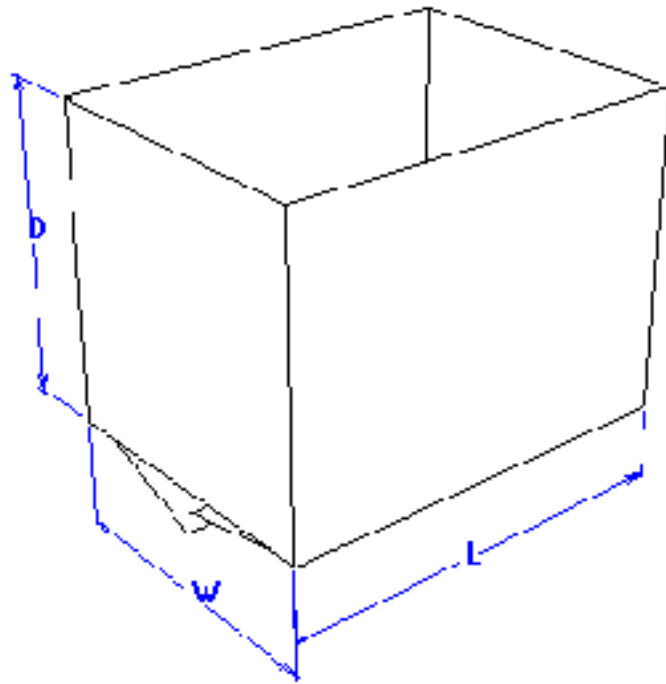


FEFCO Standards - 200 Series

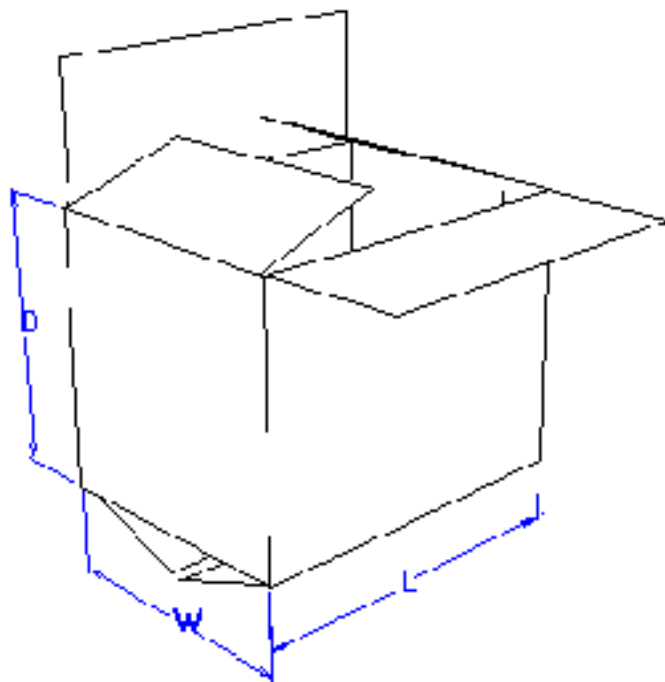
FEFCO standards are corrugated standards primarily used in Europe.

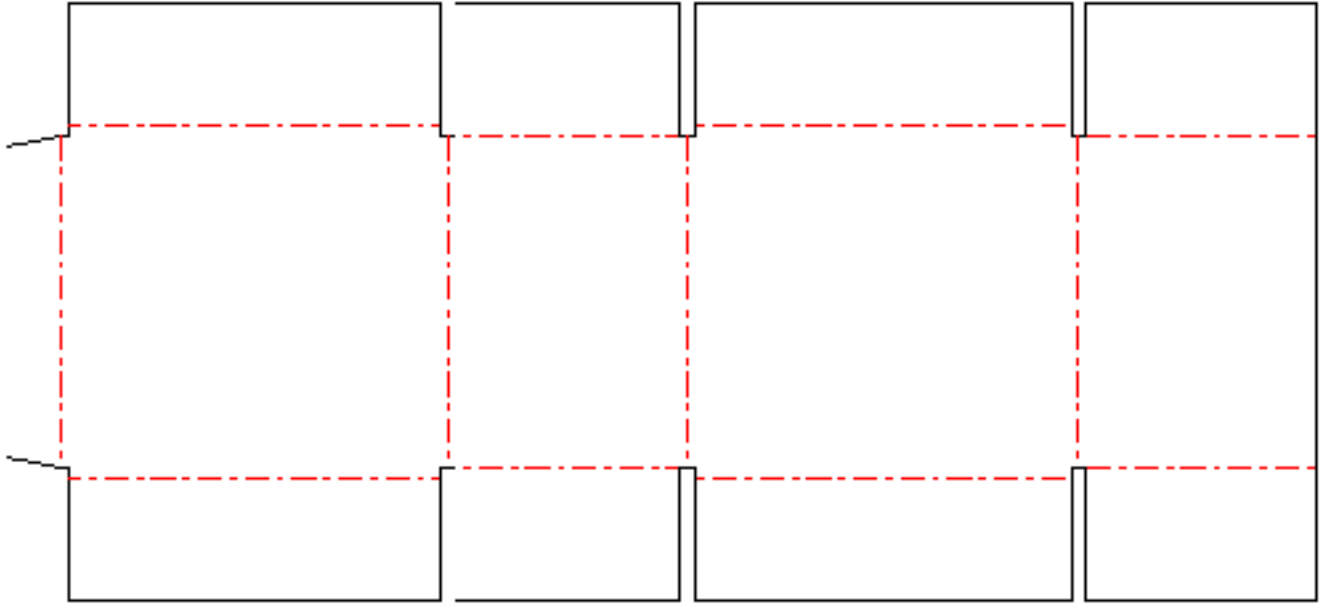
Each standard is shown folded and unfolded.

F0200

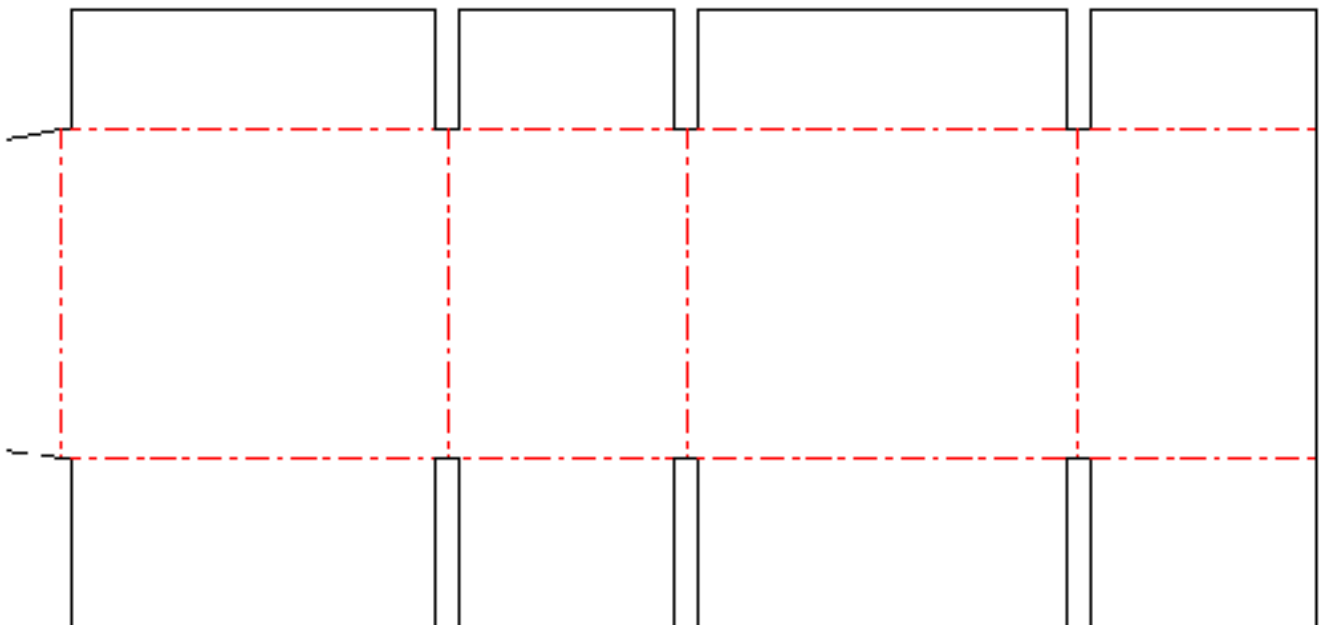
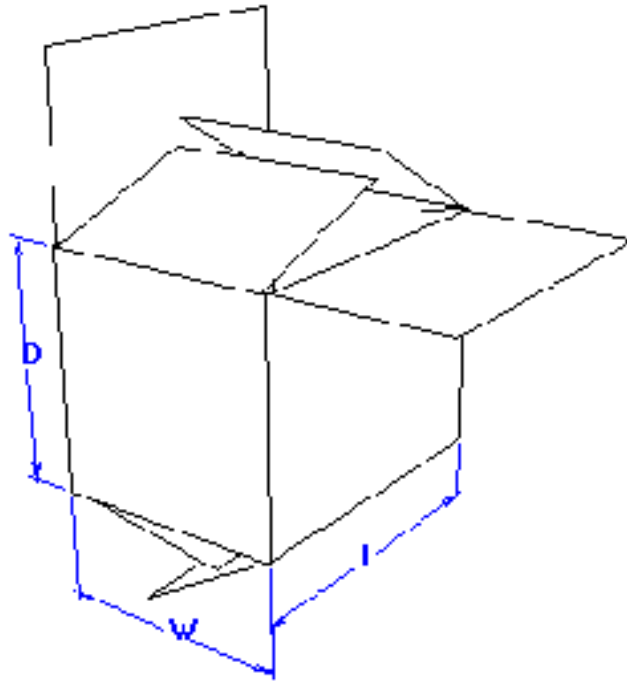


F0201

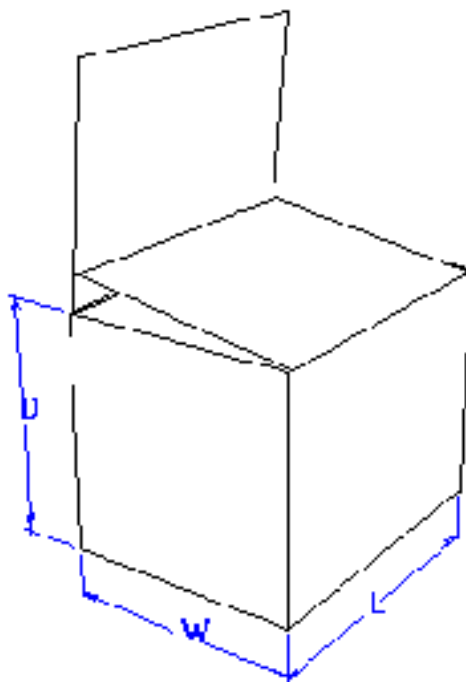


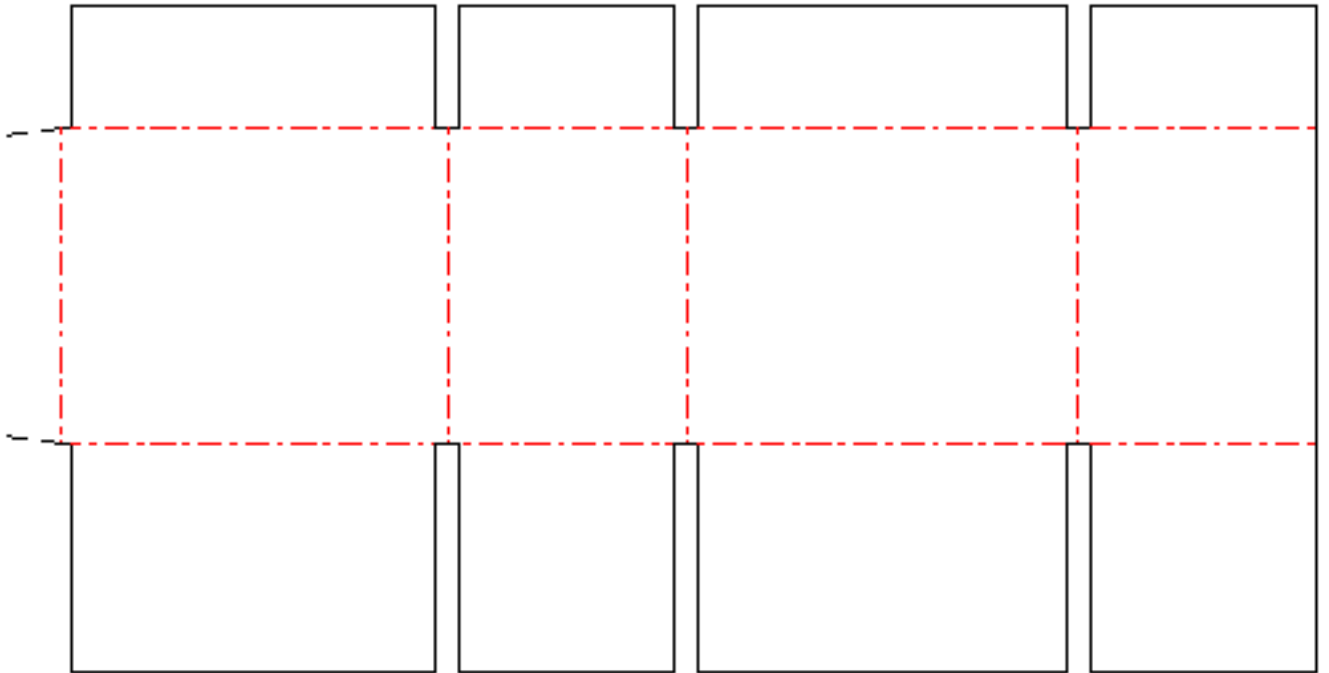


F0202

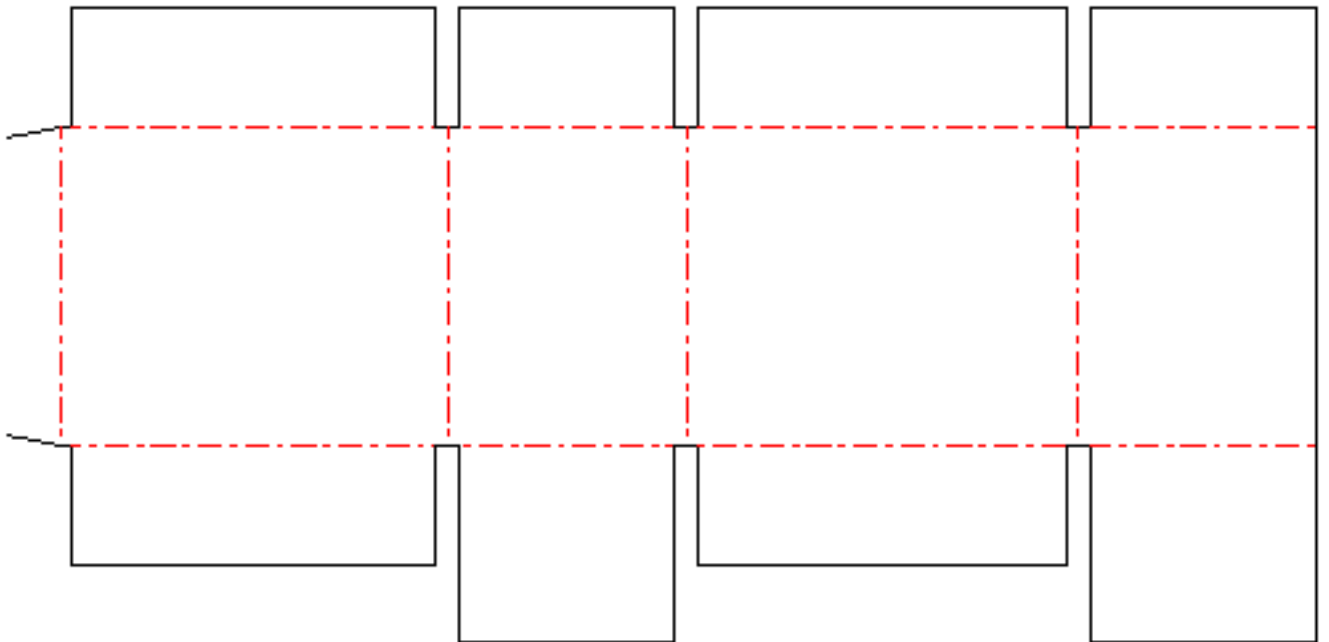
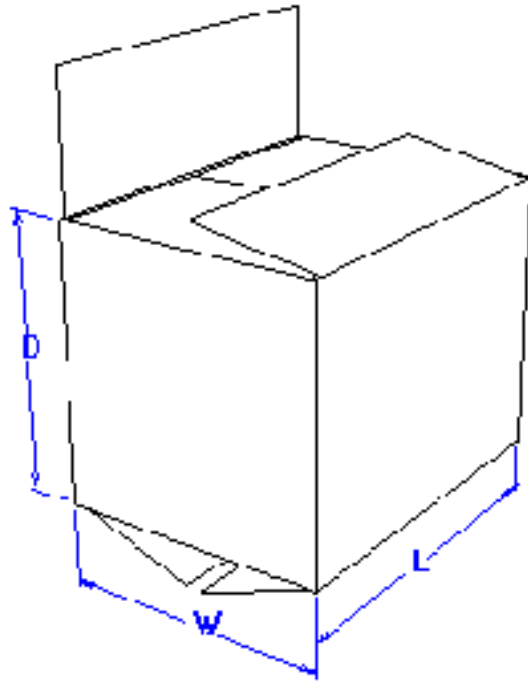


F0203

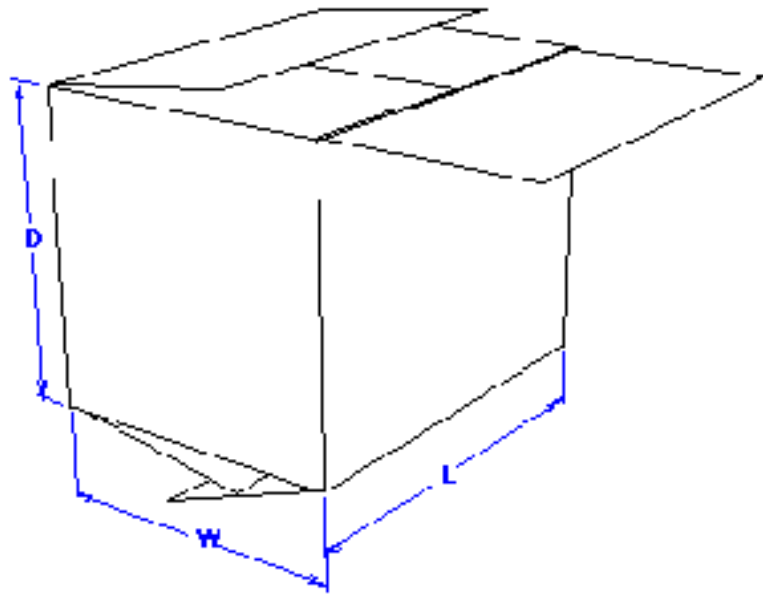


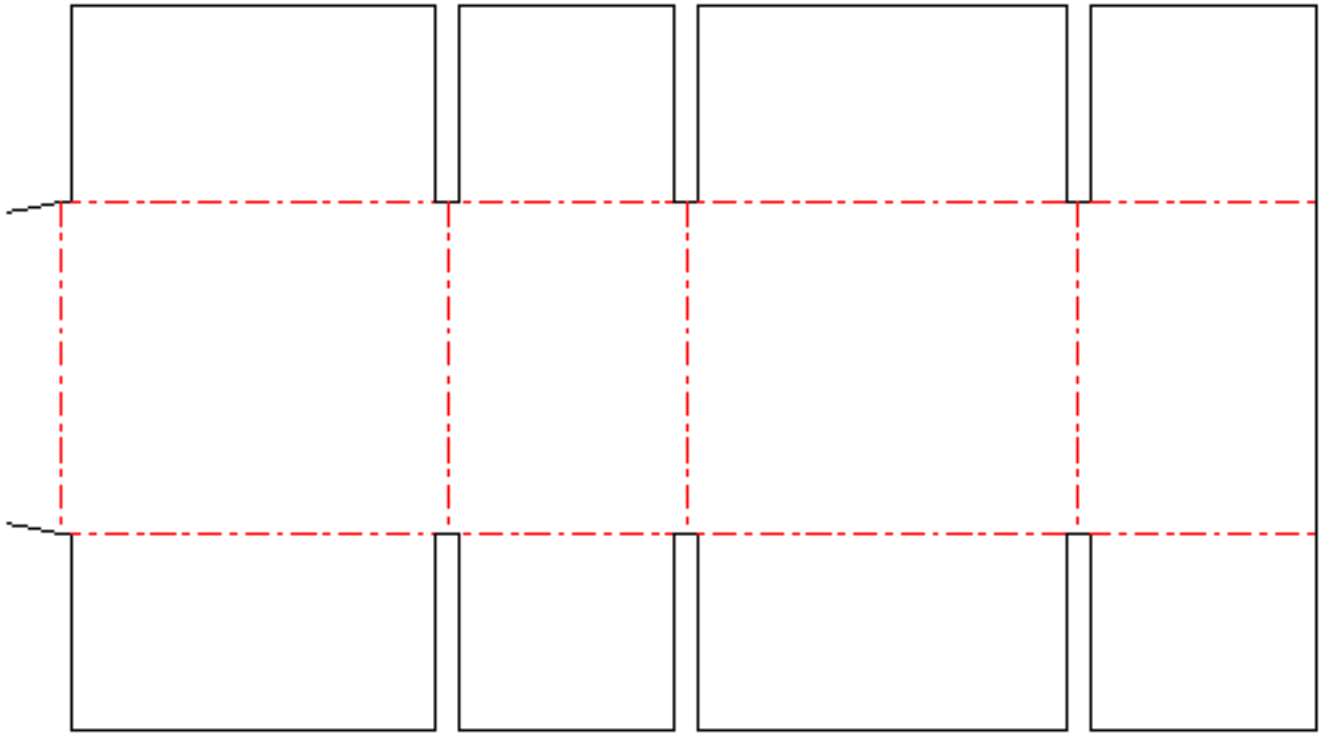


F0204

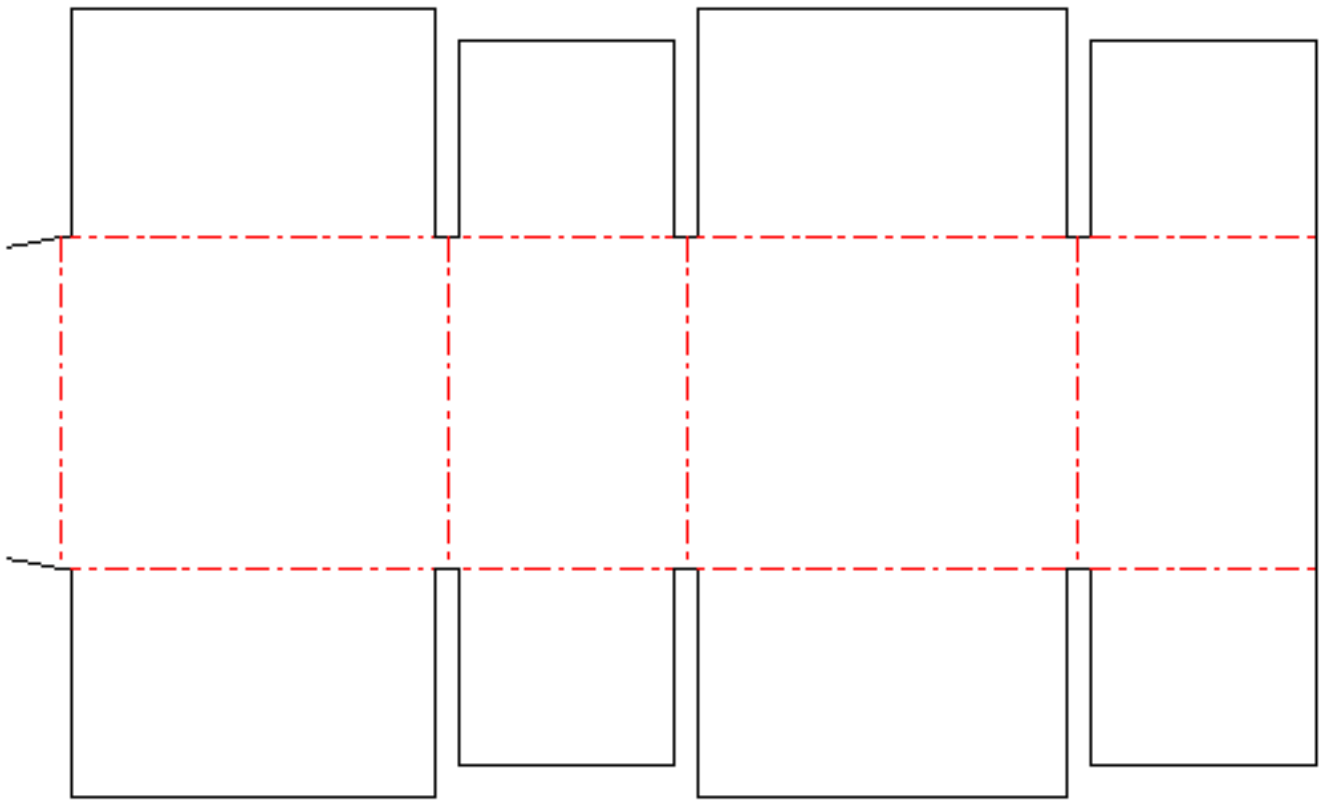
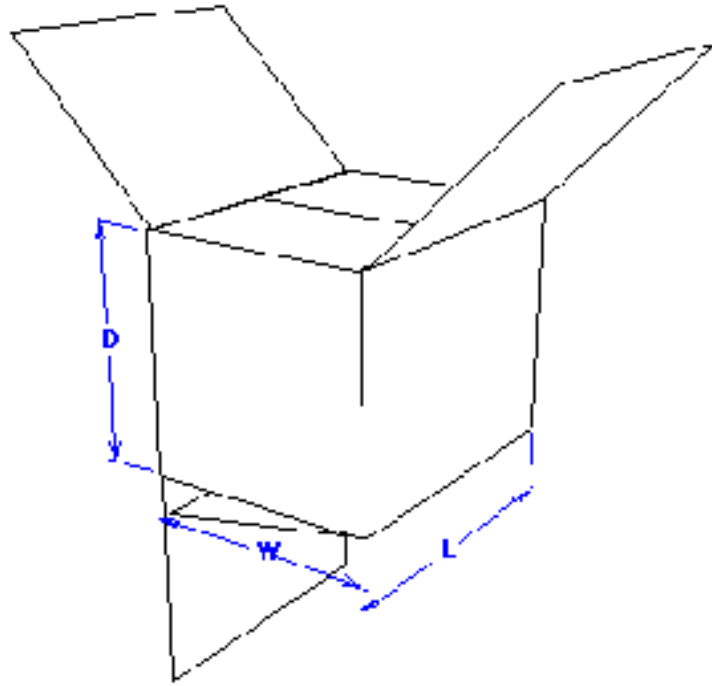


F0205



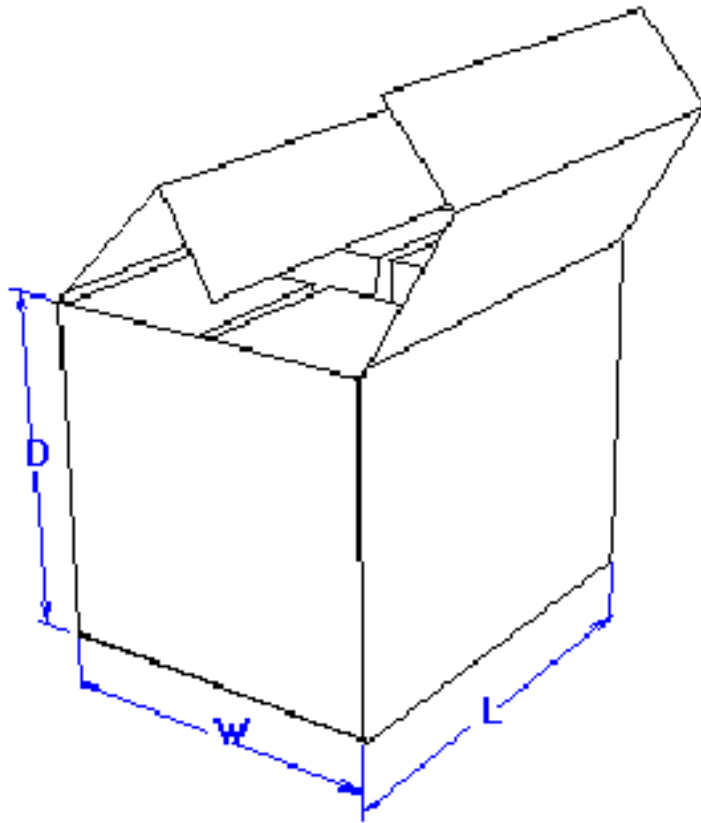


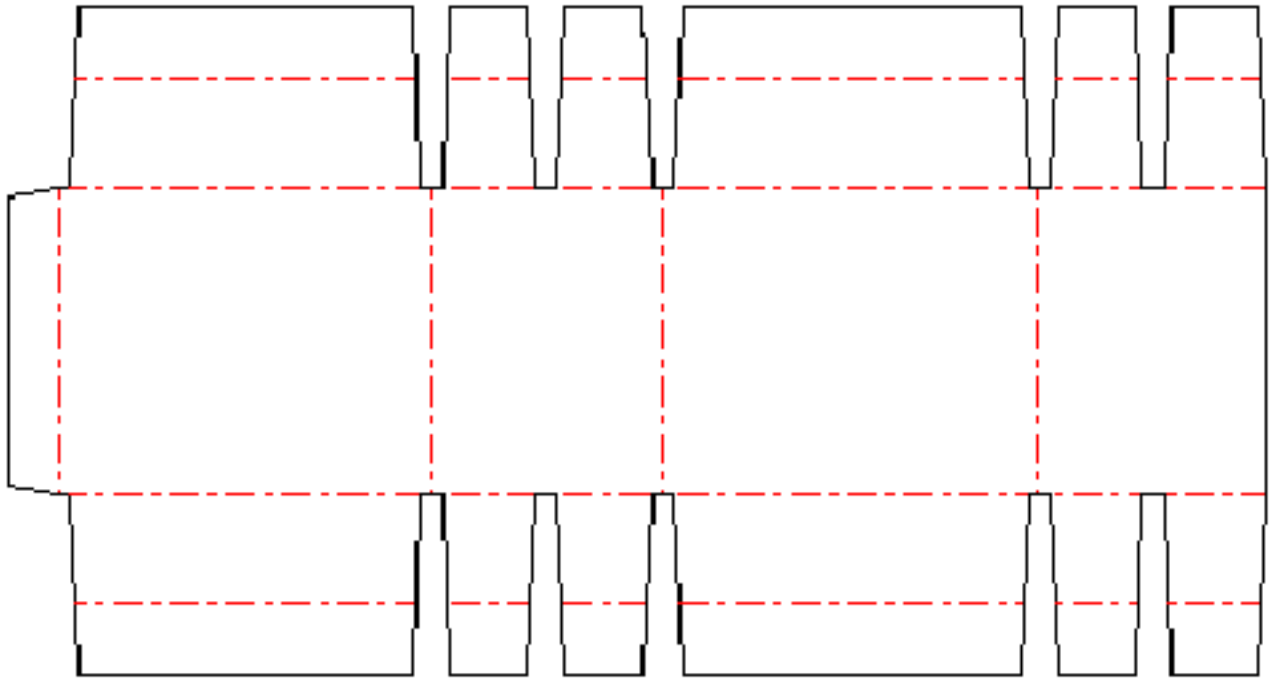
F0206



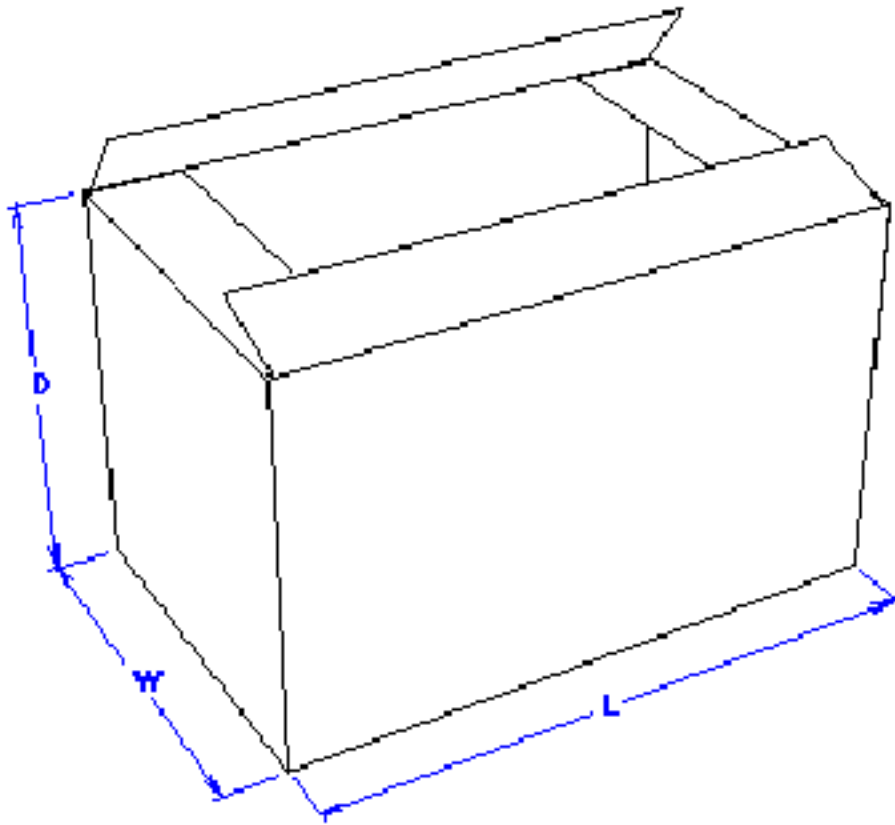
F0208

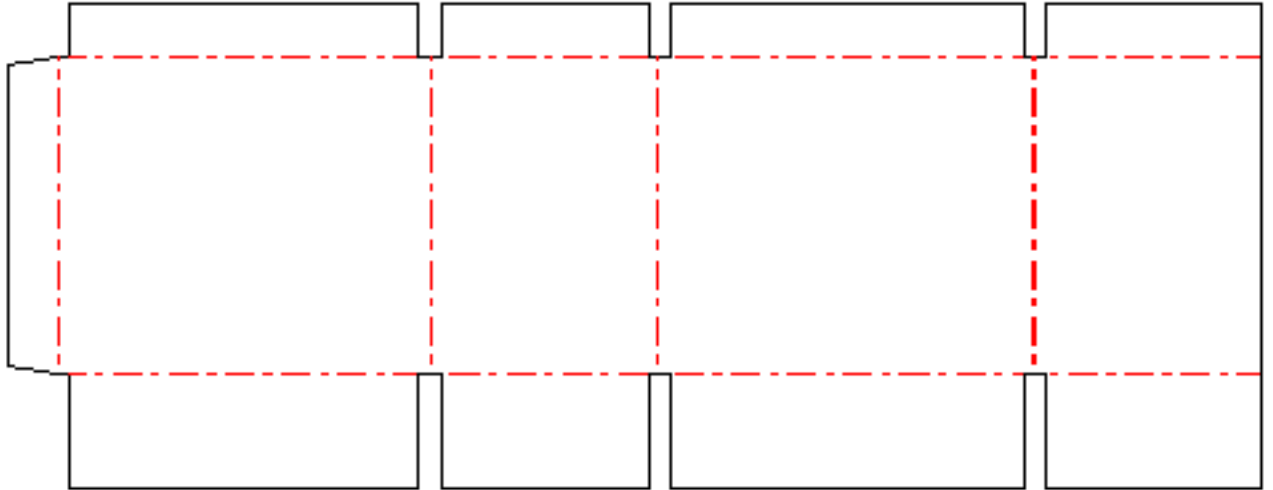
F0207 does not exist.



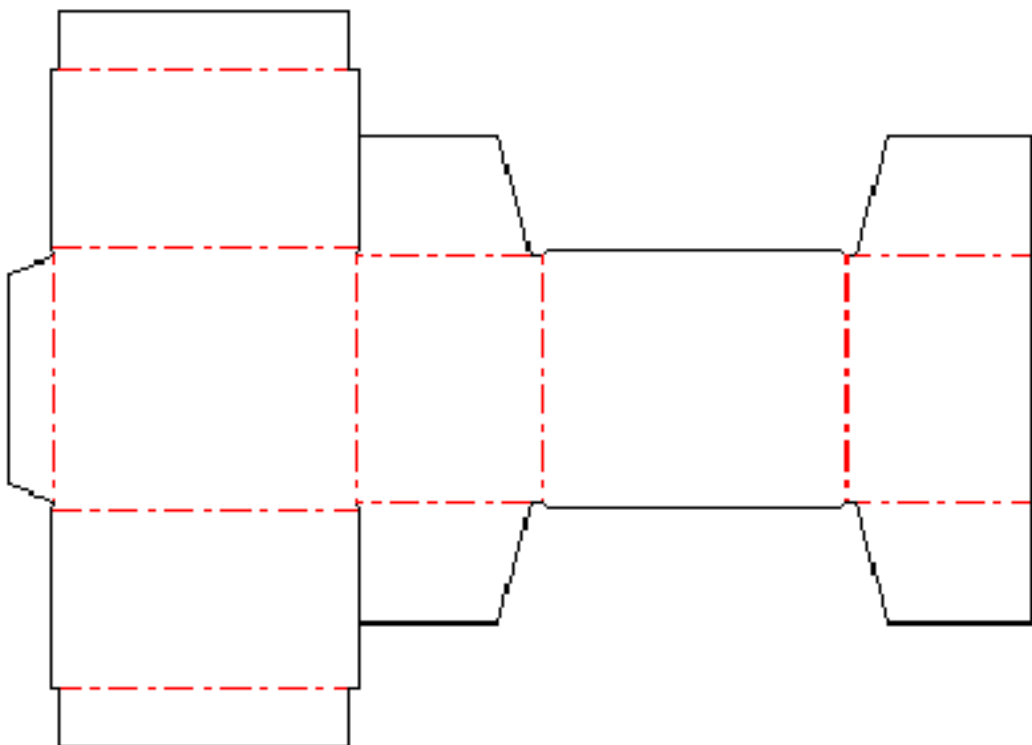
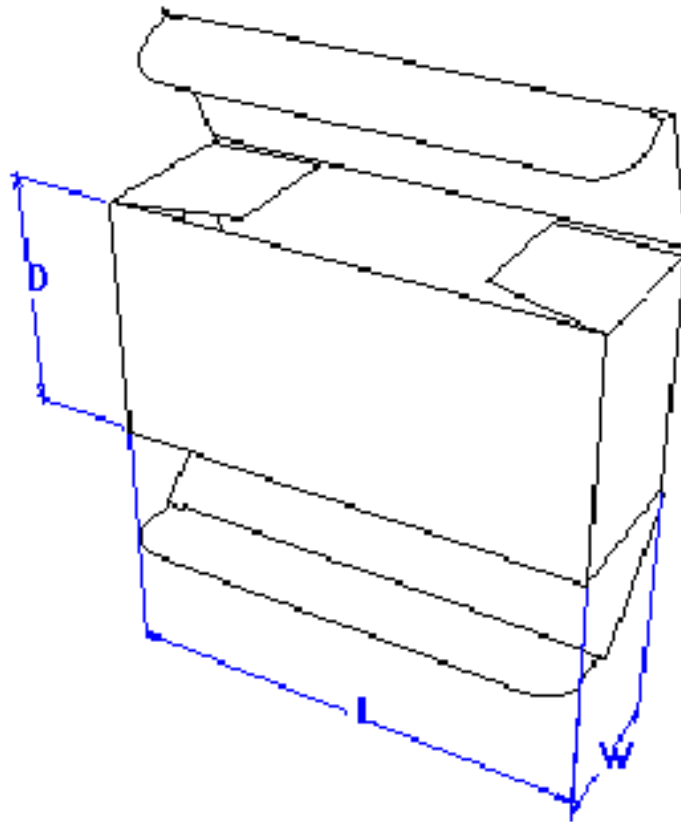


F0209

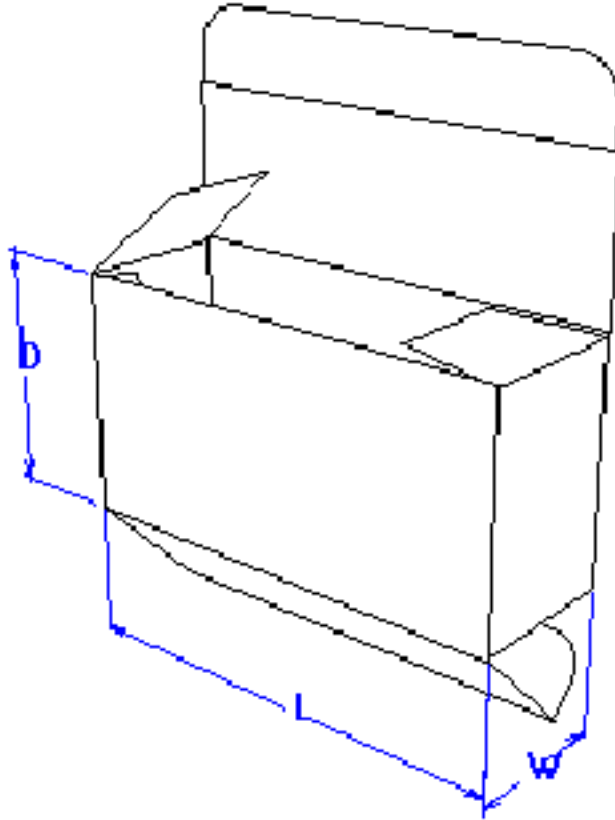


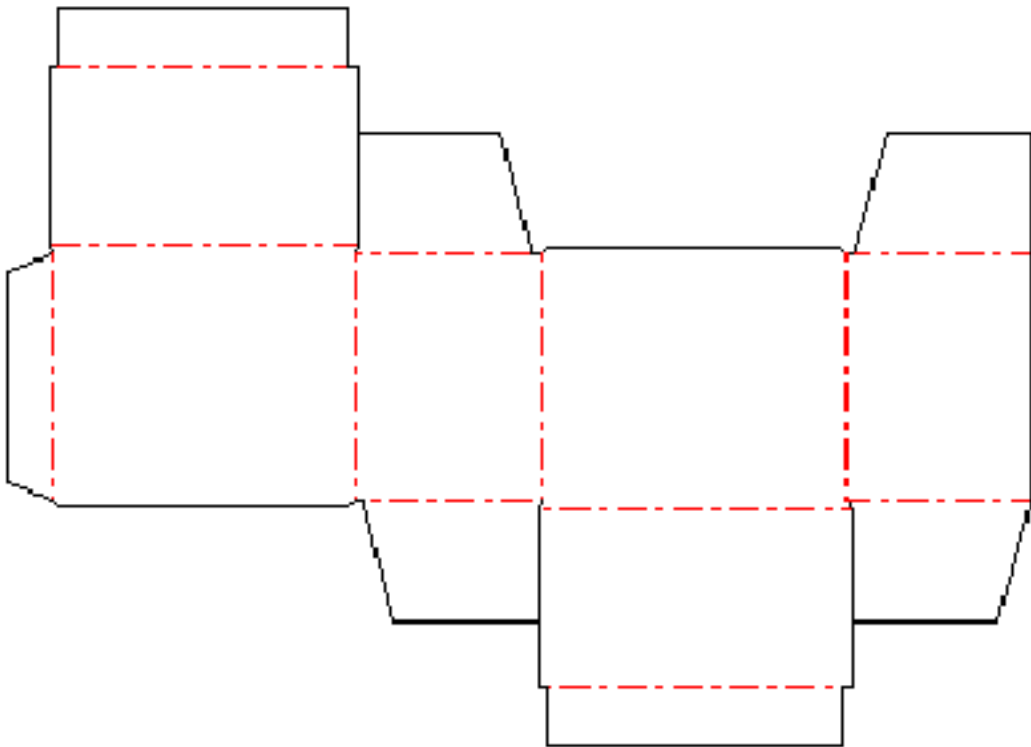


F0210

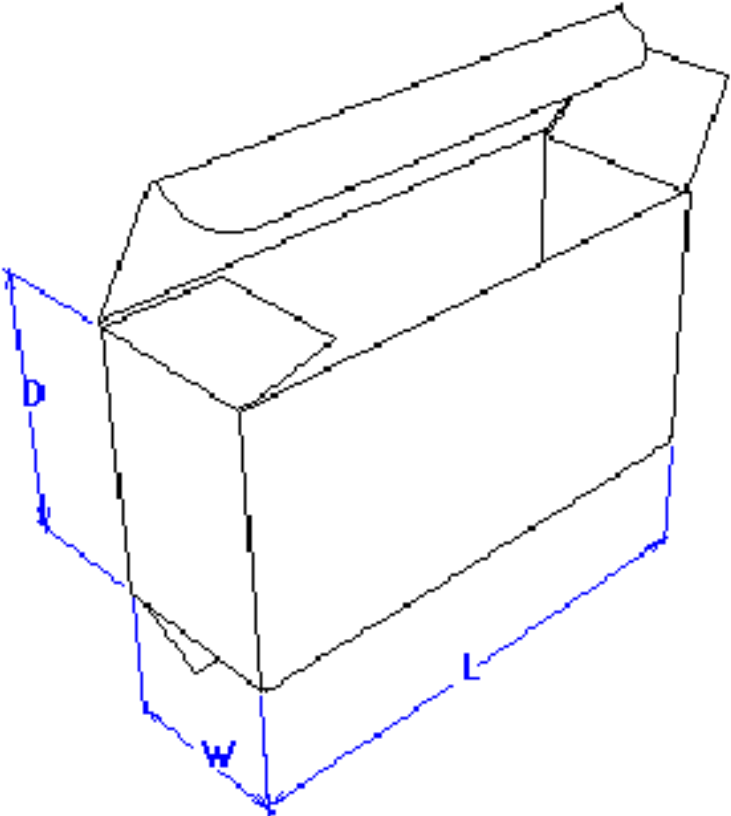


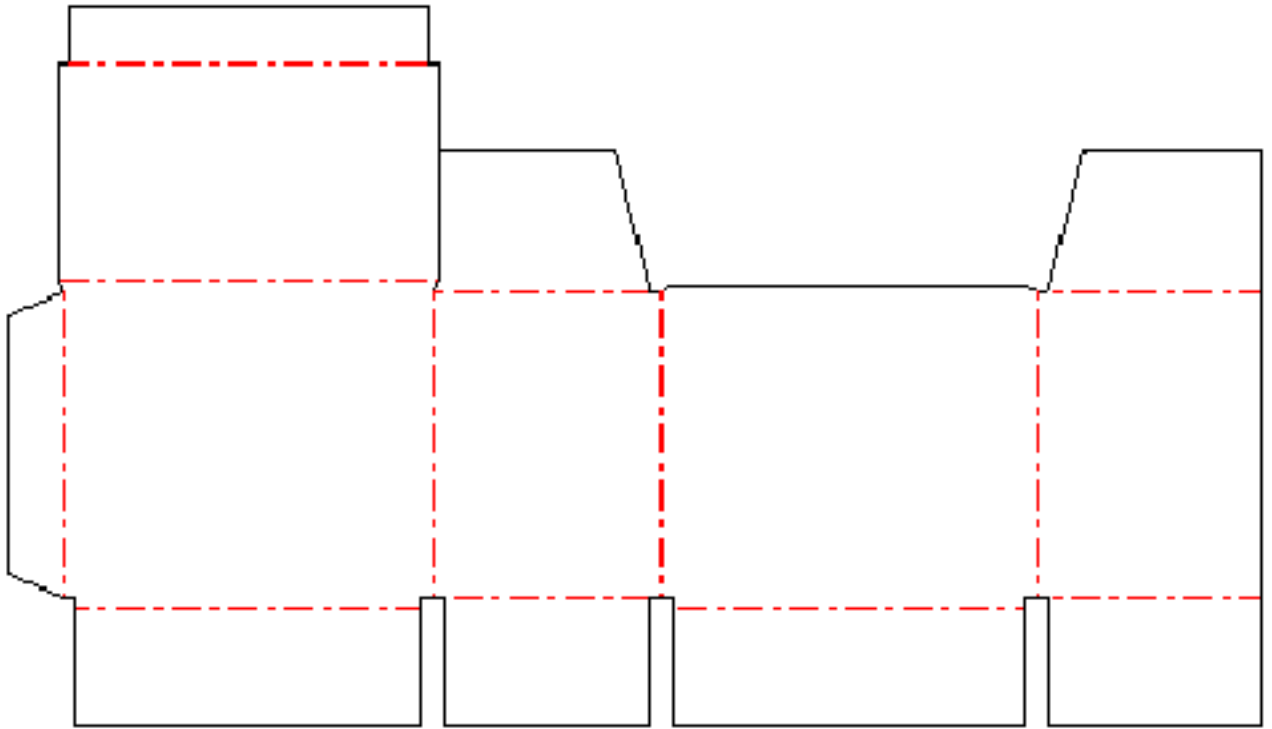
F0211





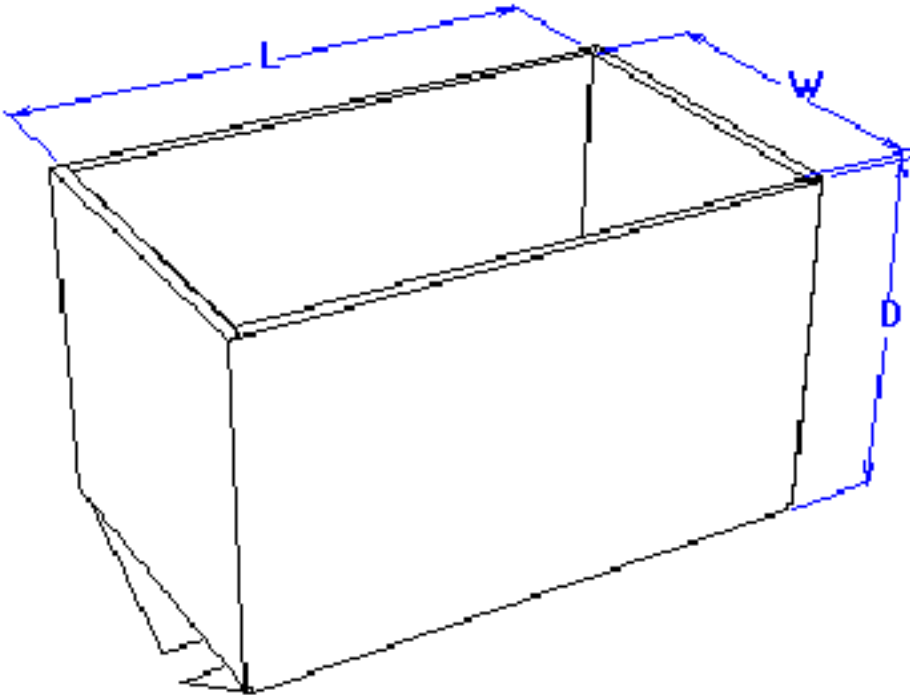
F0212

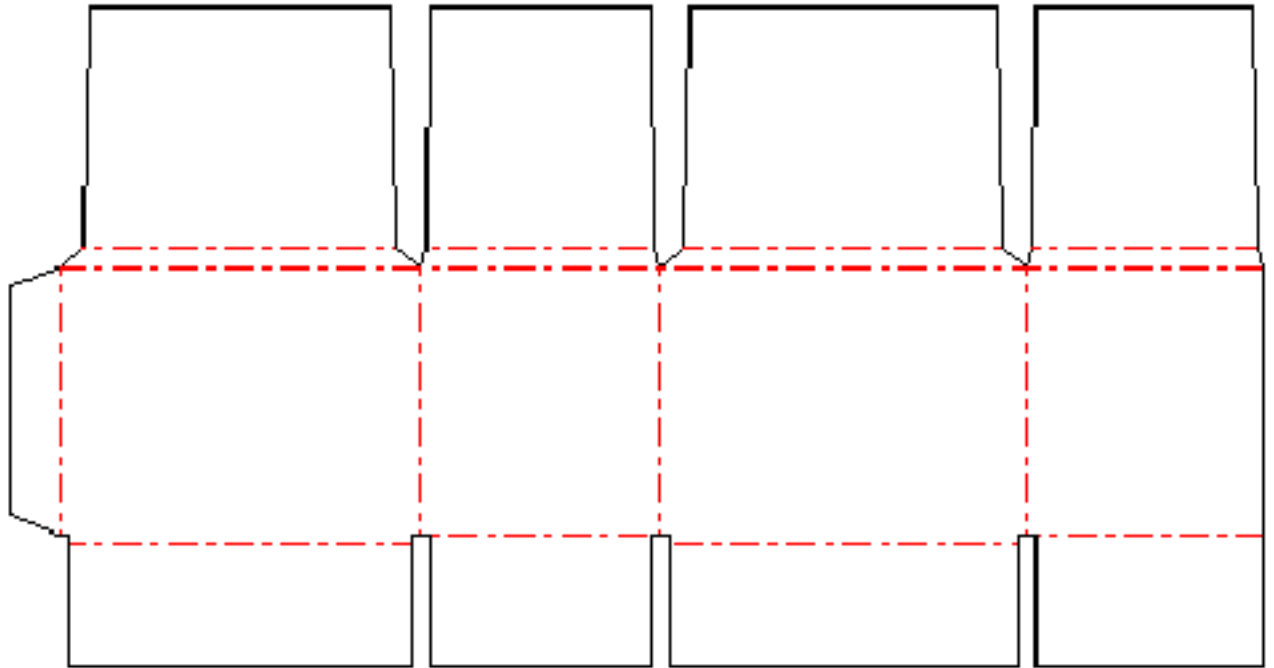




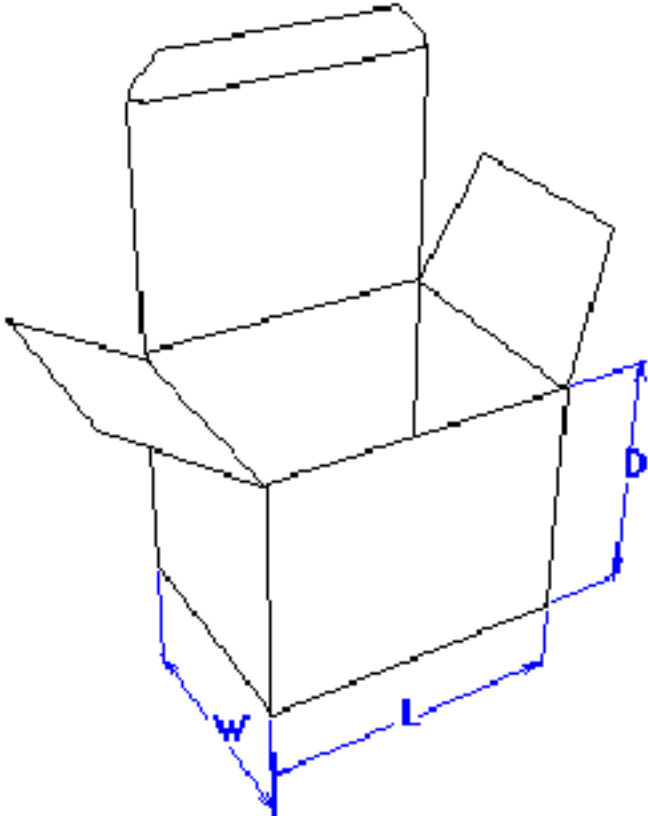
F0214

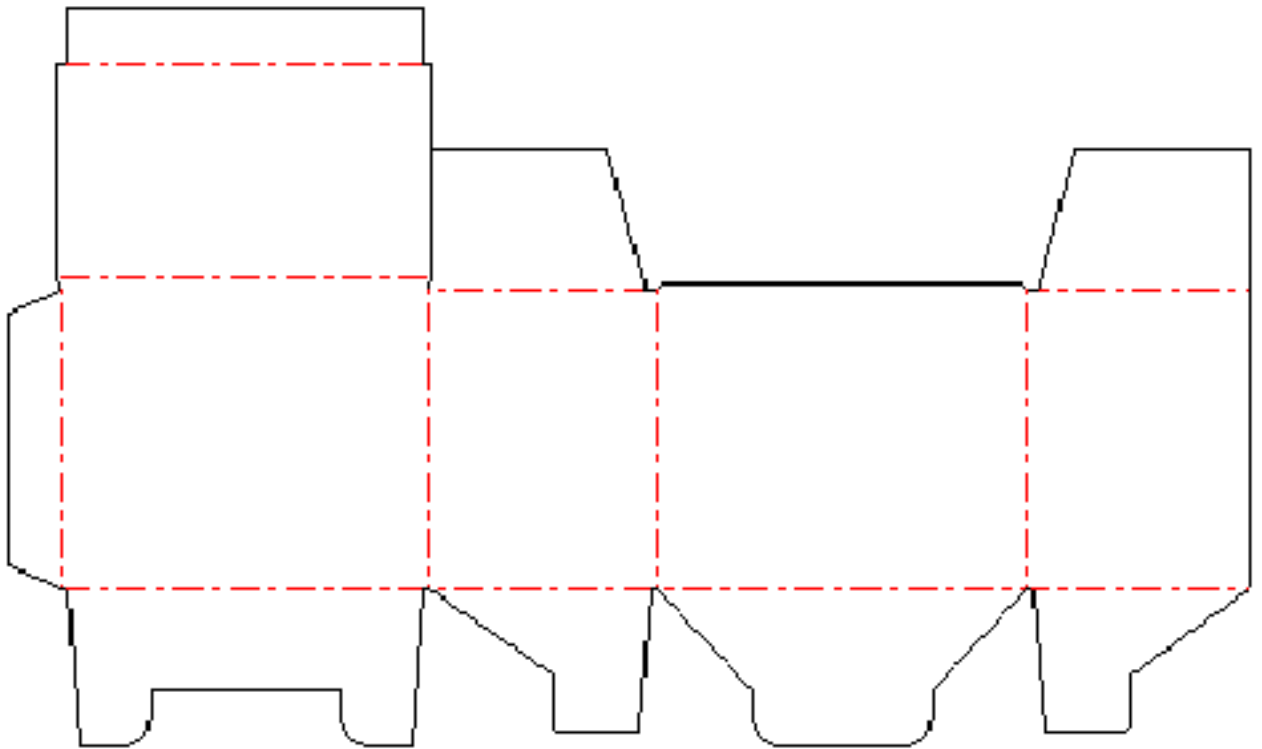
There is no F0213.



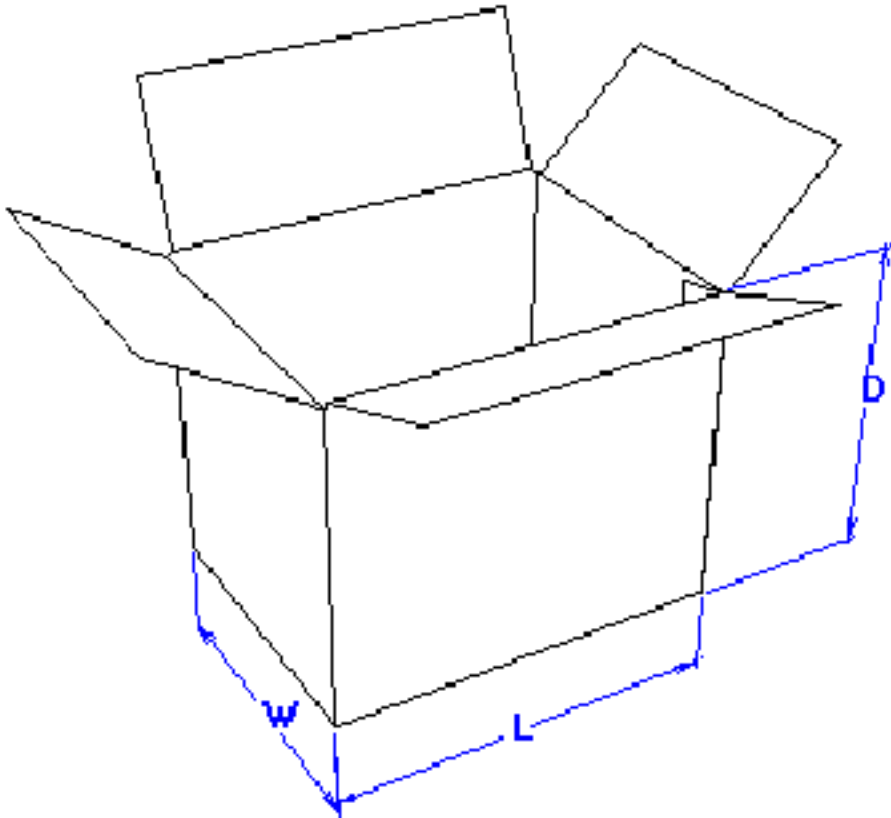


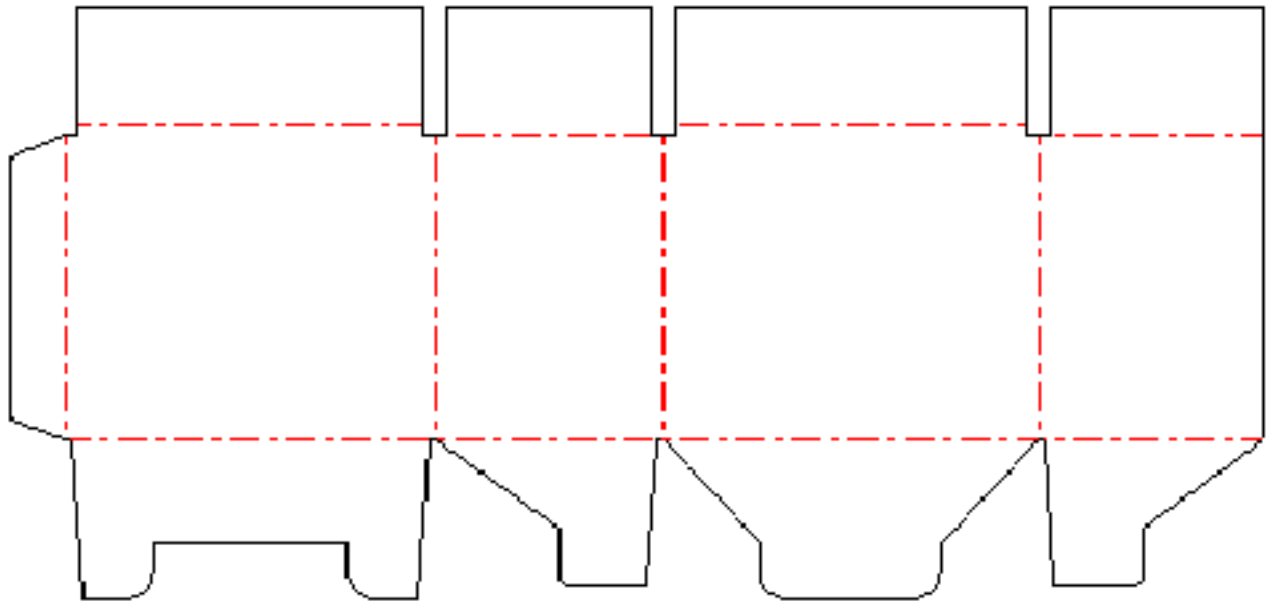
F0215



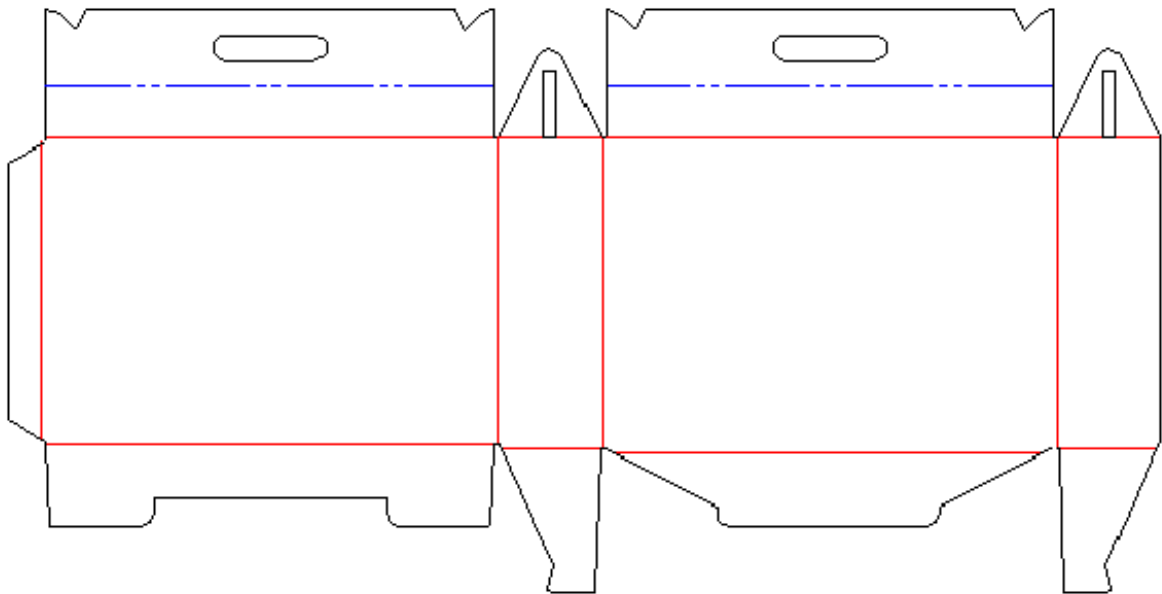
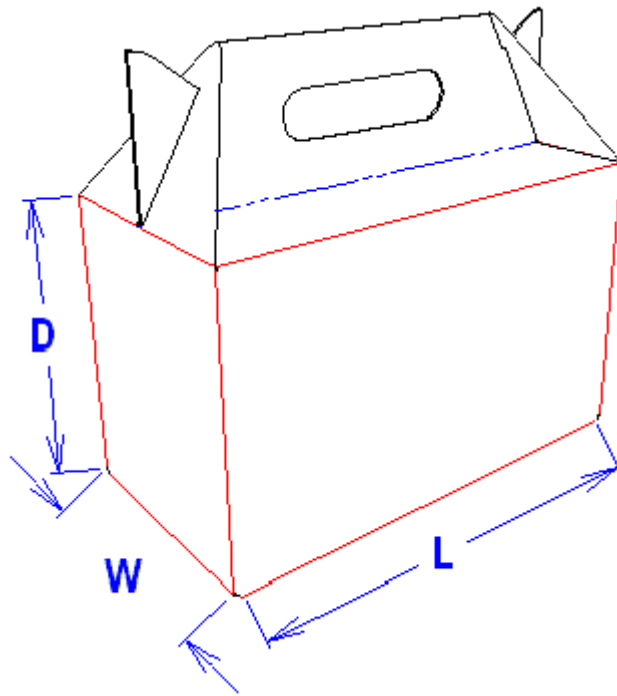


F0216

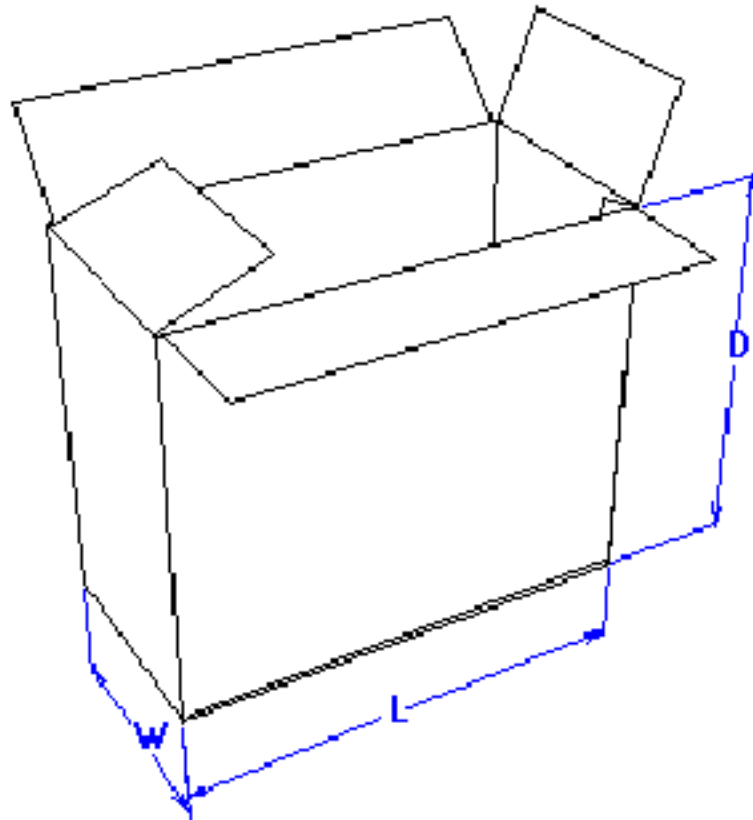


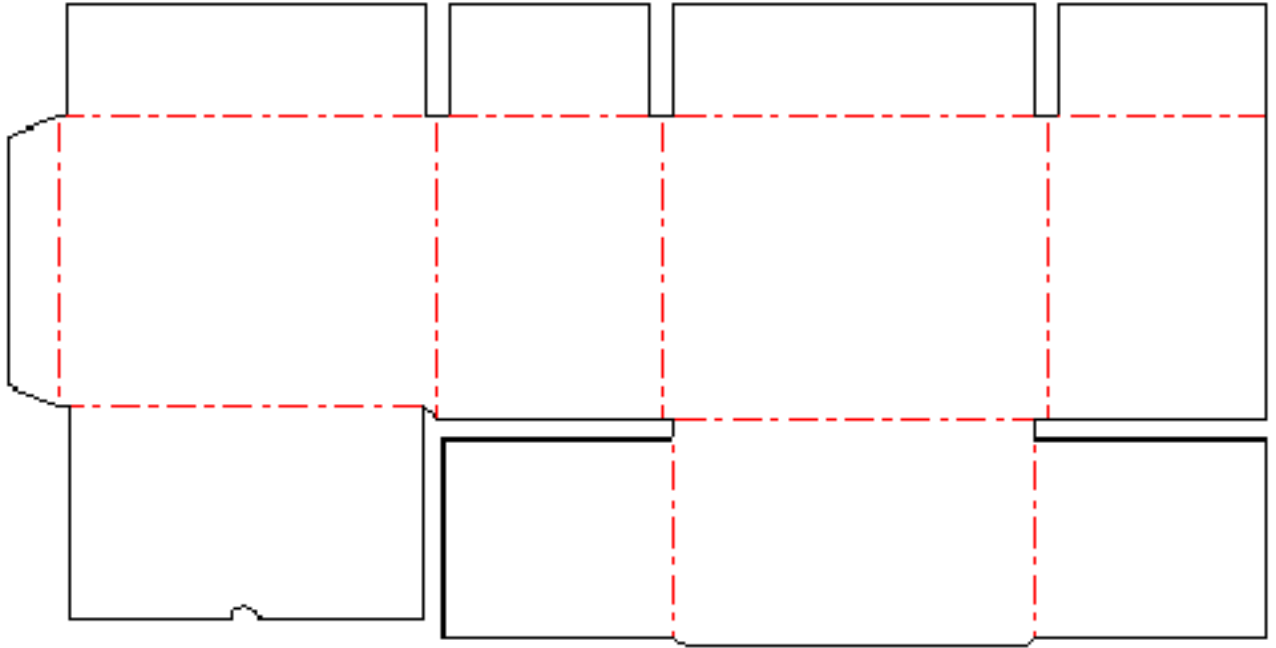


F0217

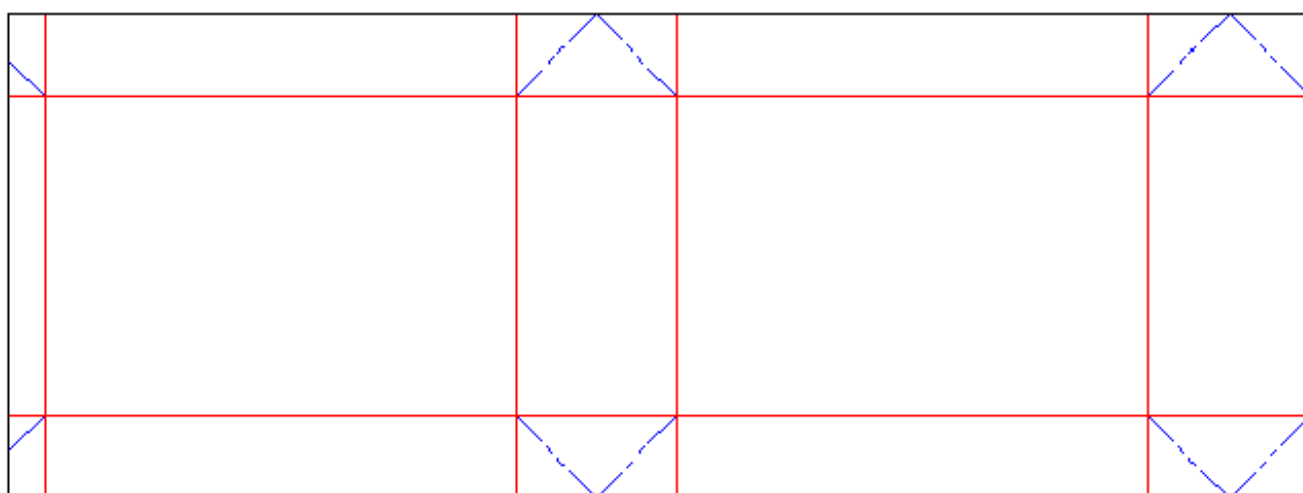
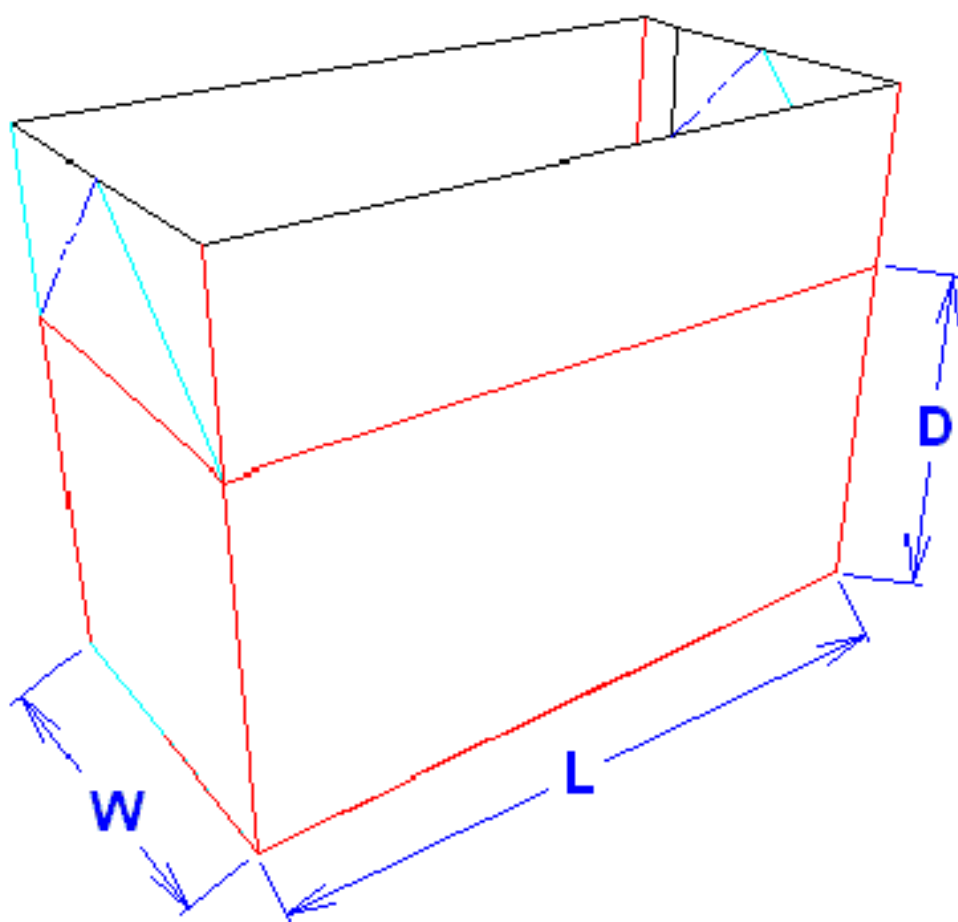


F0225

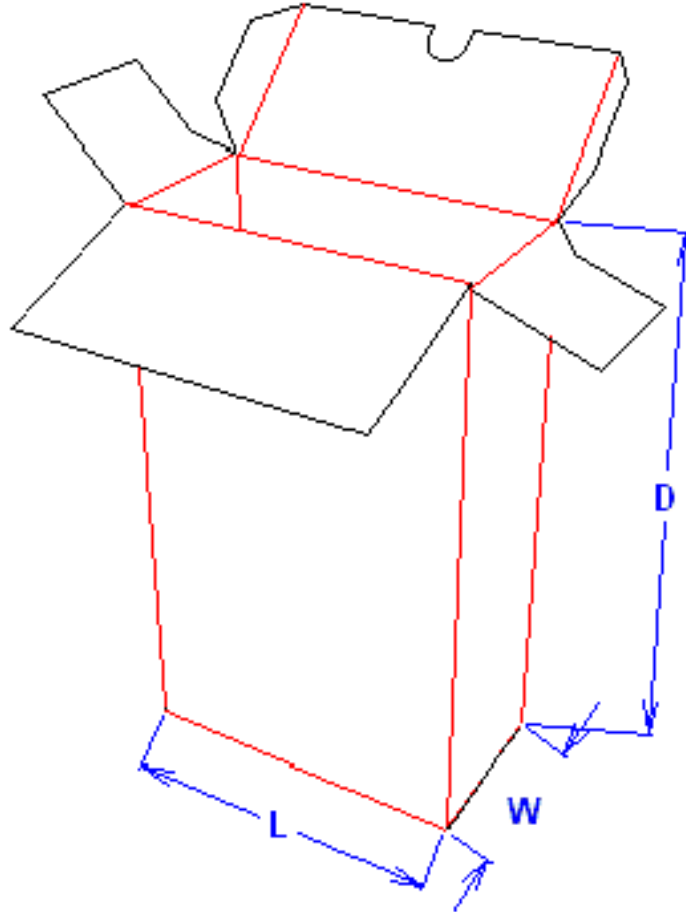


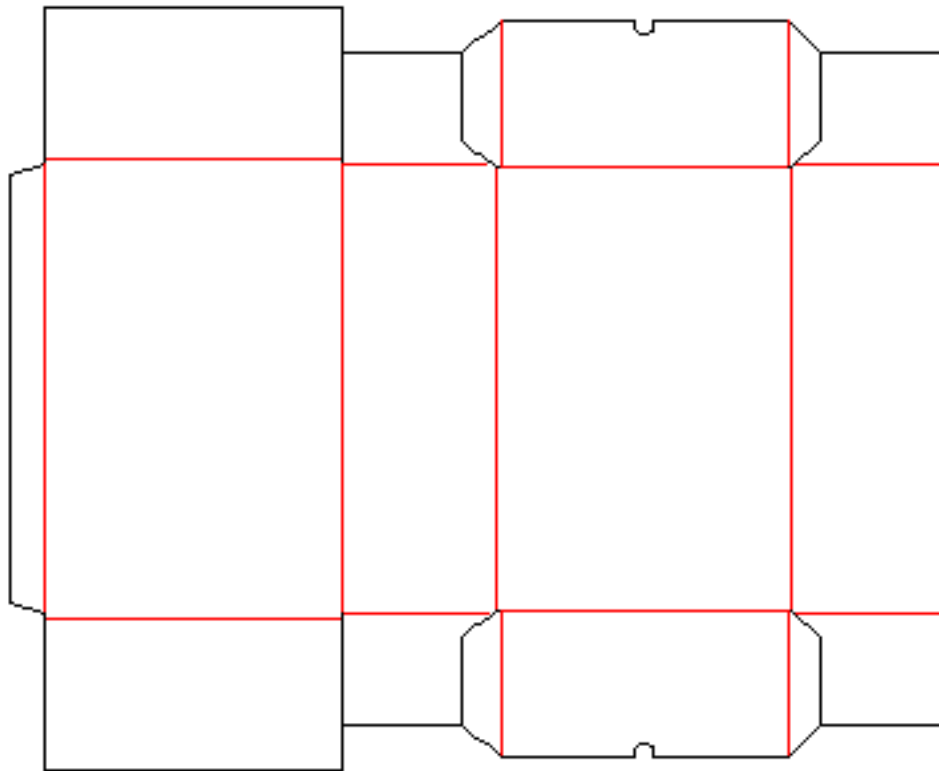


F0226

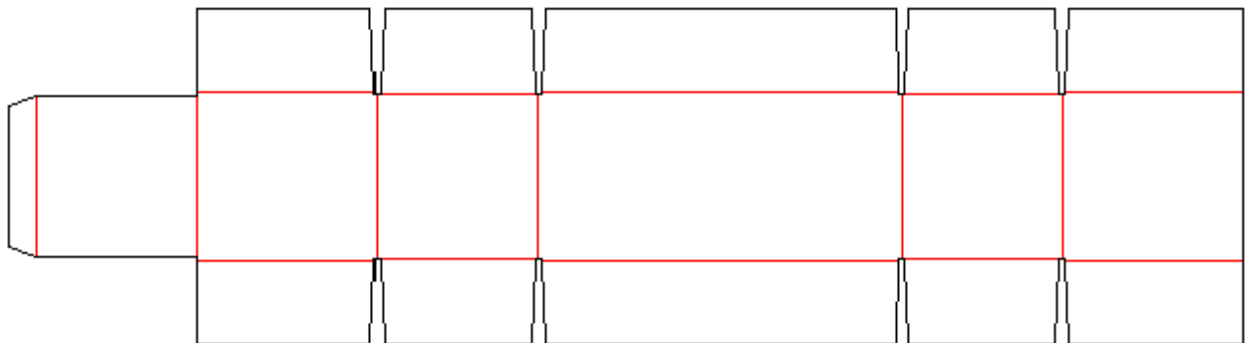
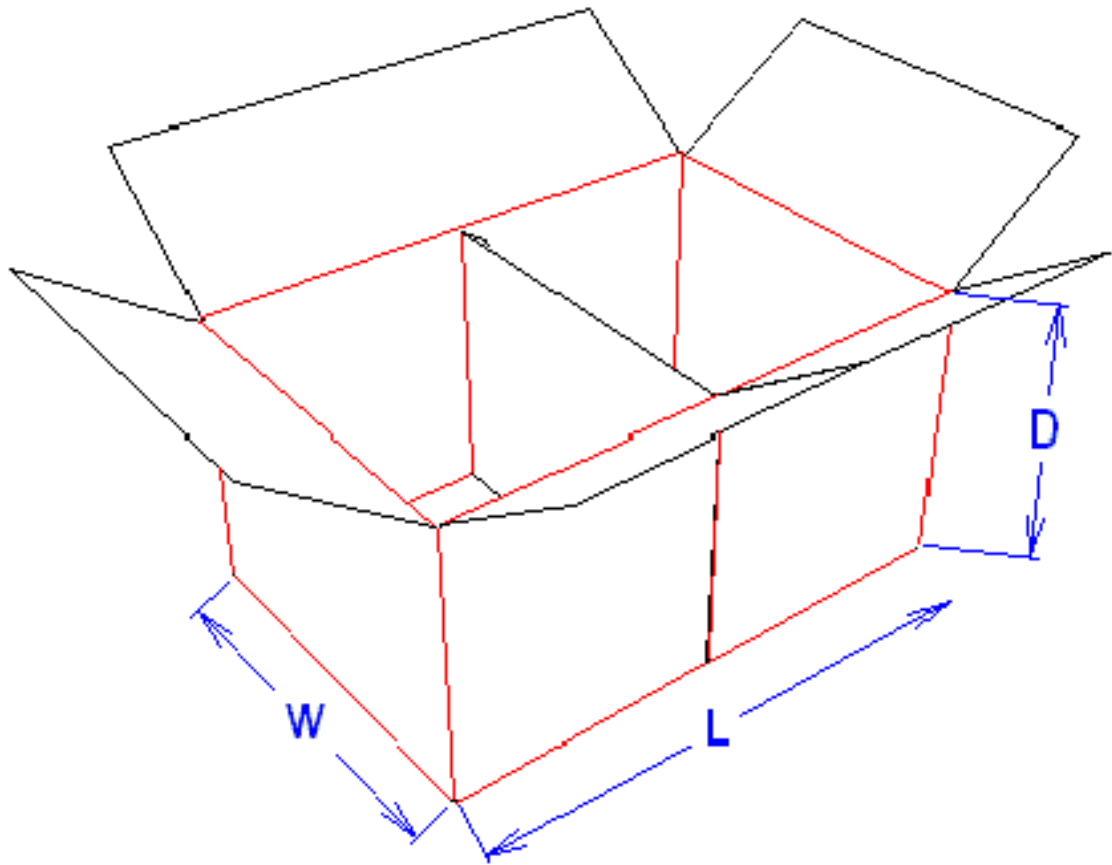


F0227

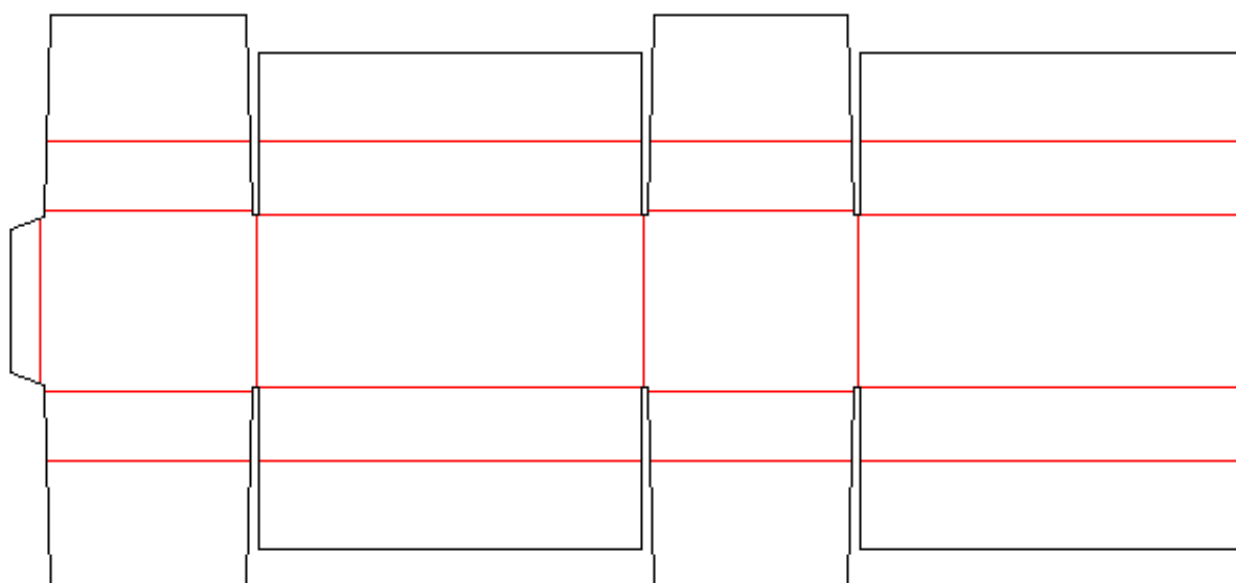
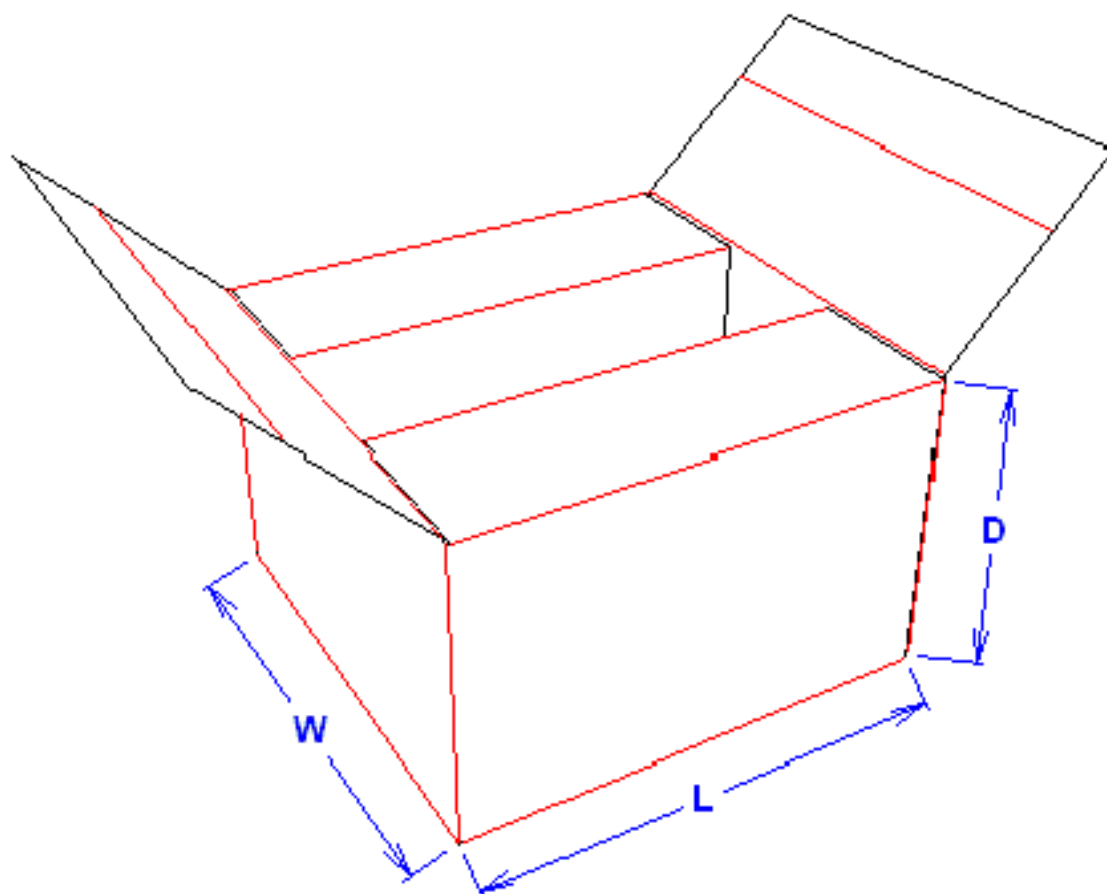




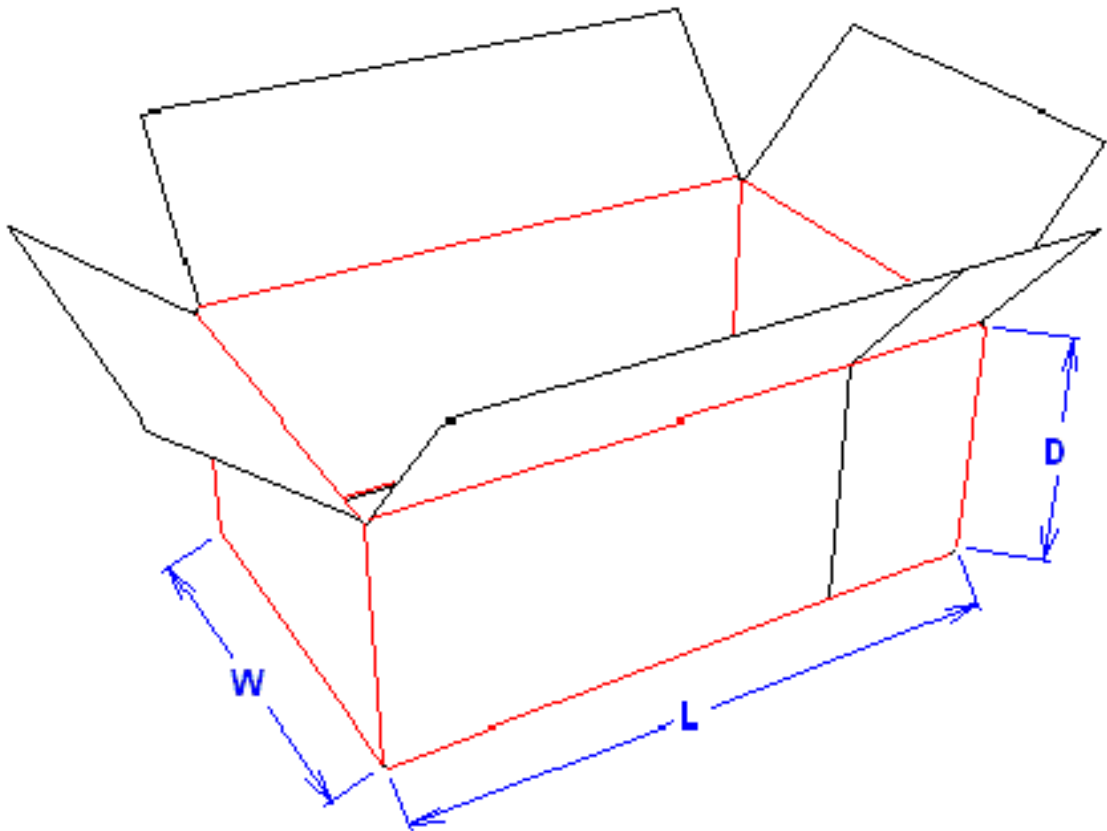
F0228

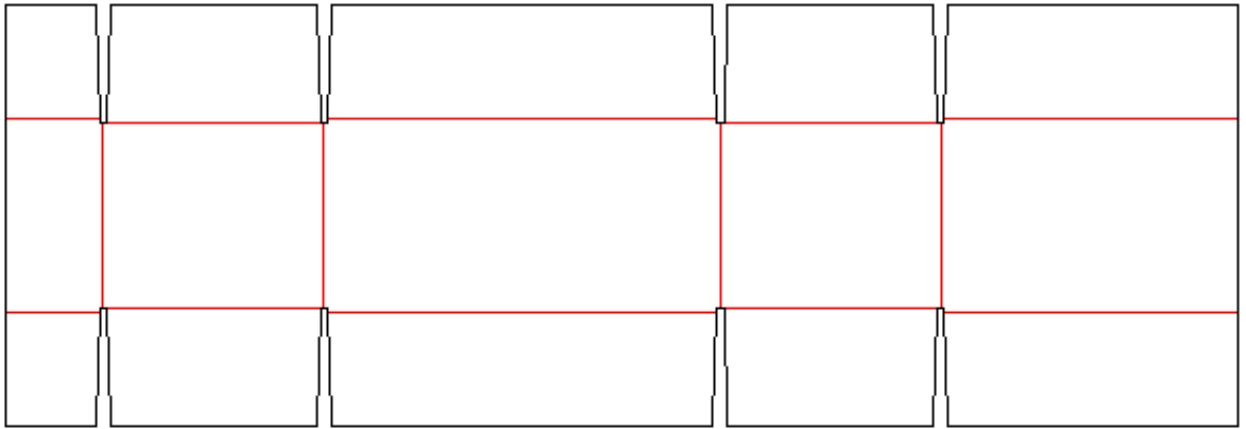


F0229

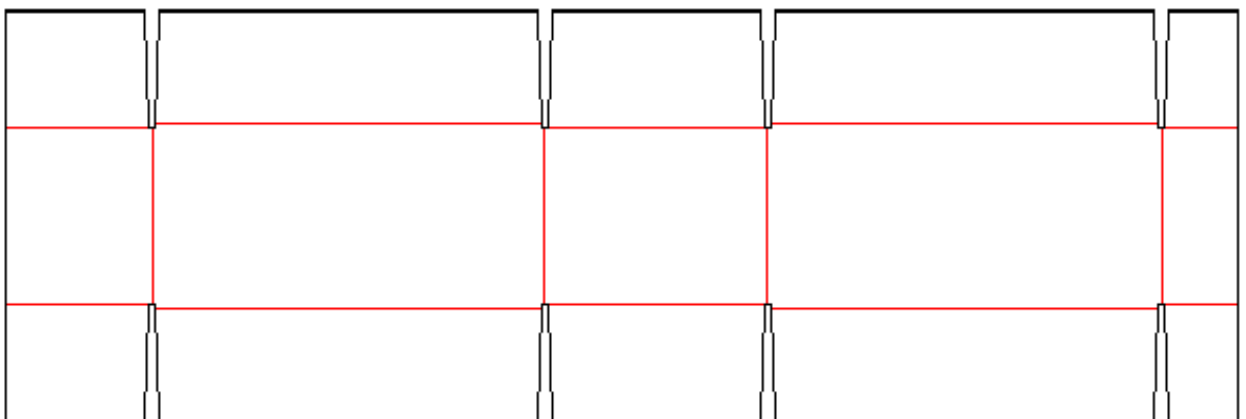
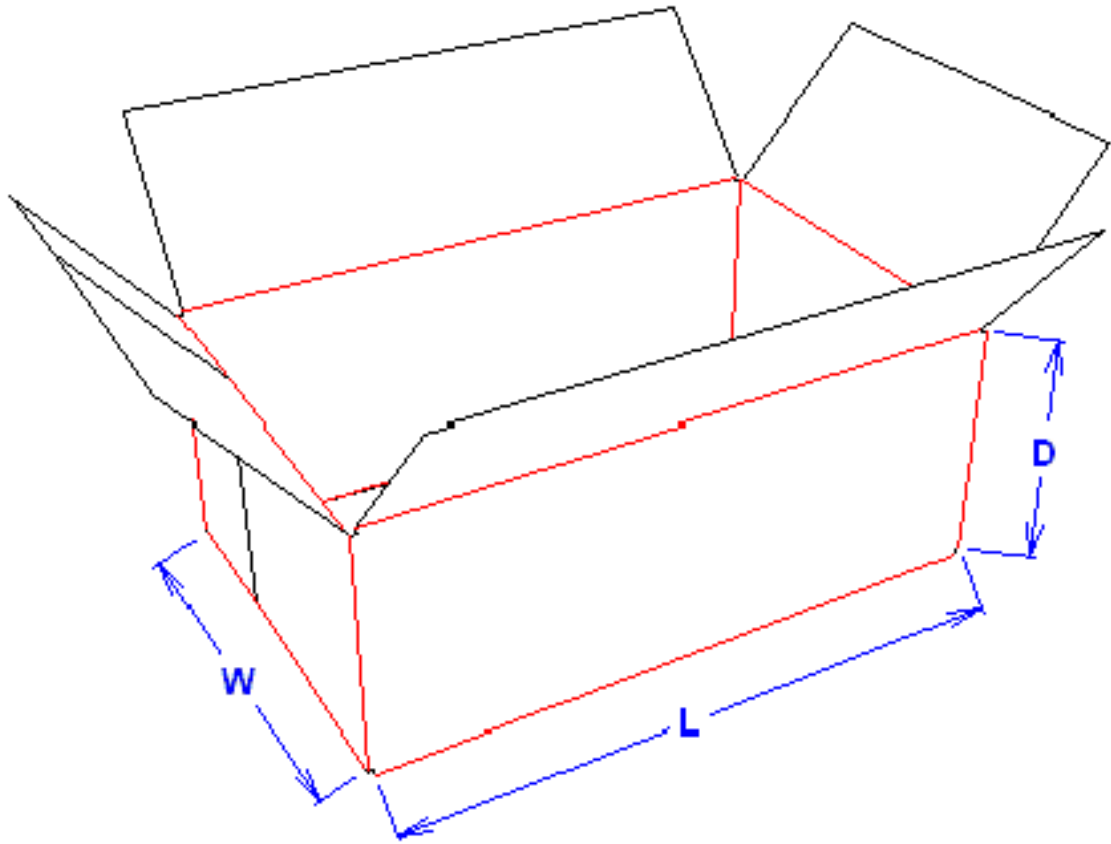


F0230



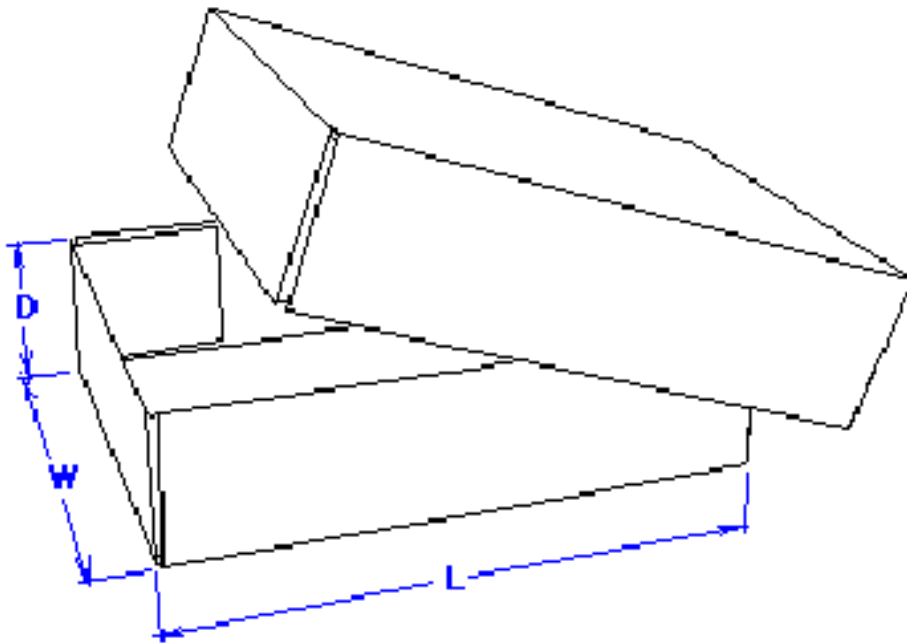


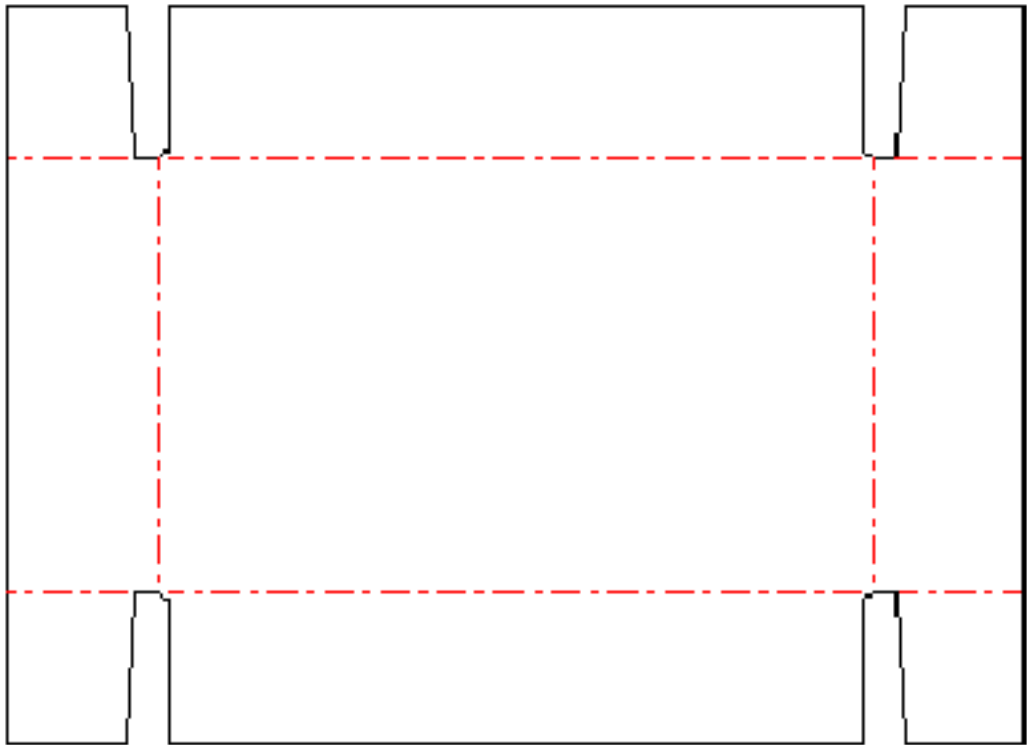
F0231



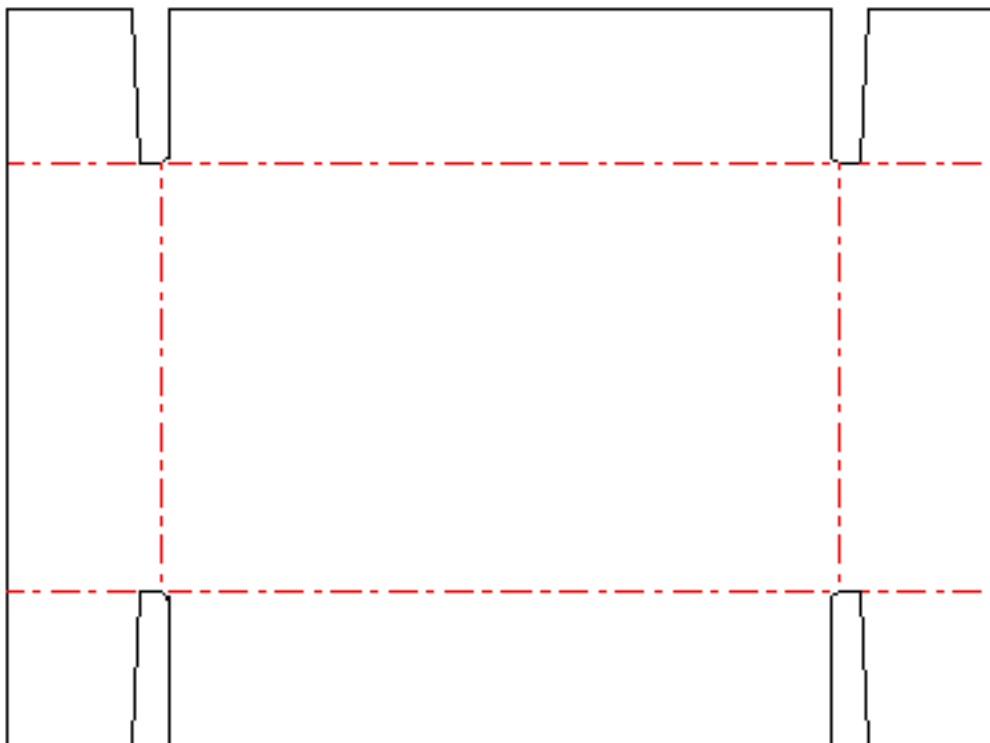
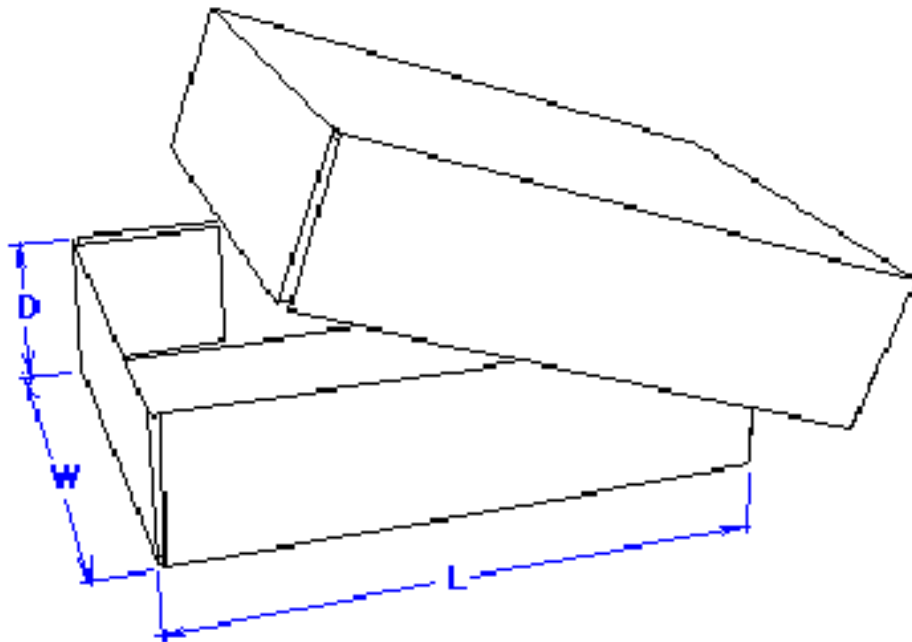
FEFCO Standards - 300 Series

F0300 Base

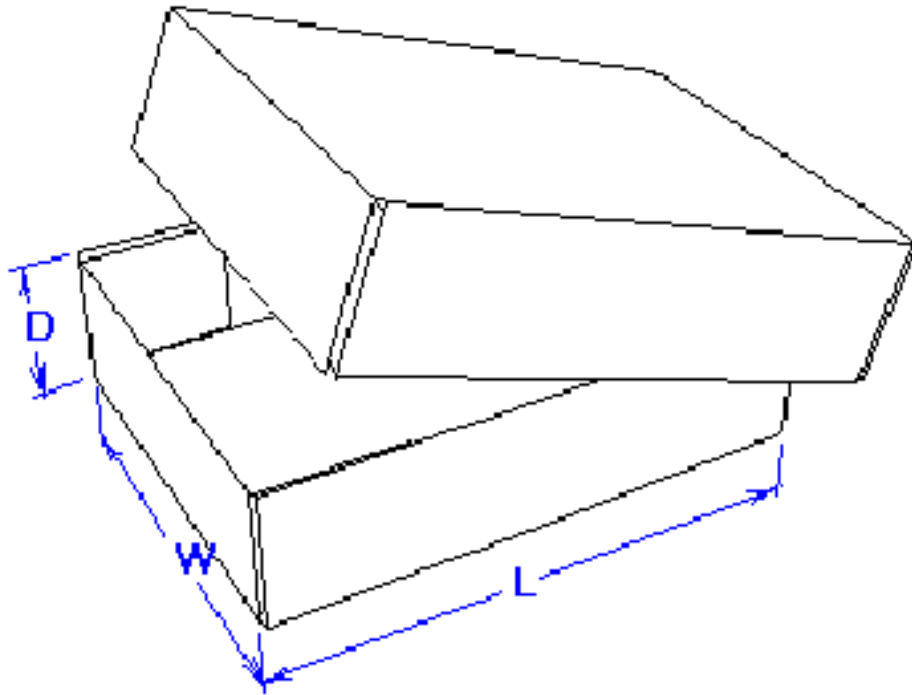


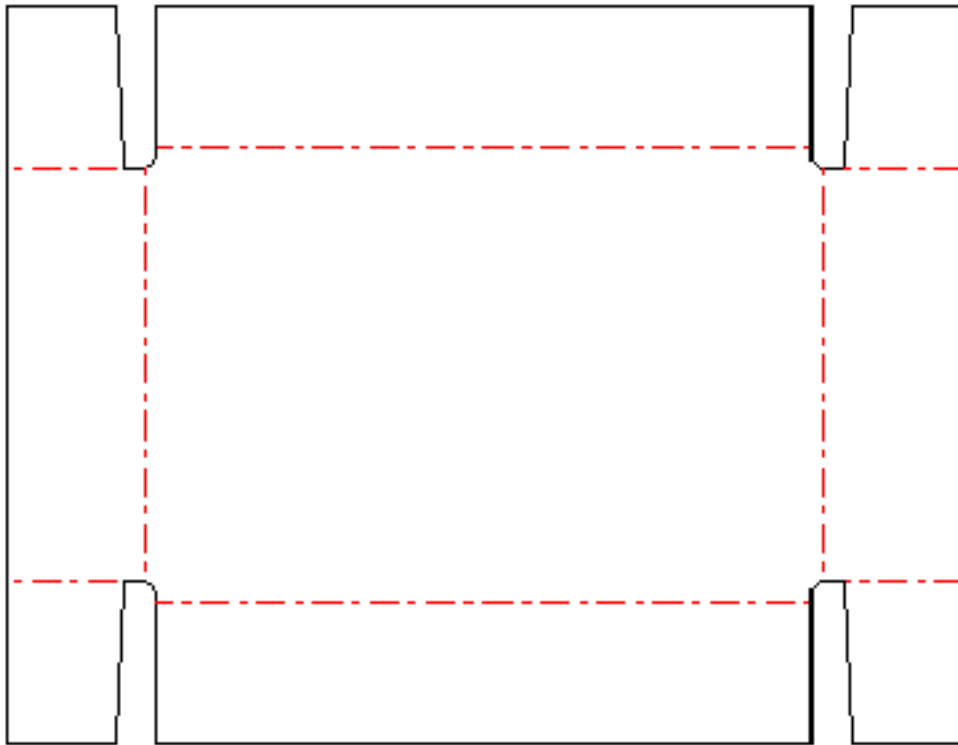


F0300 Lid

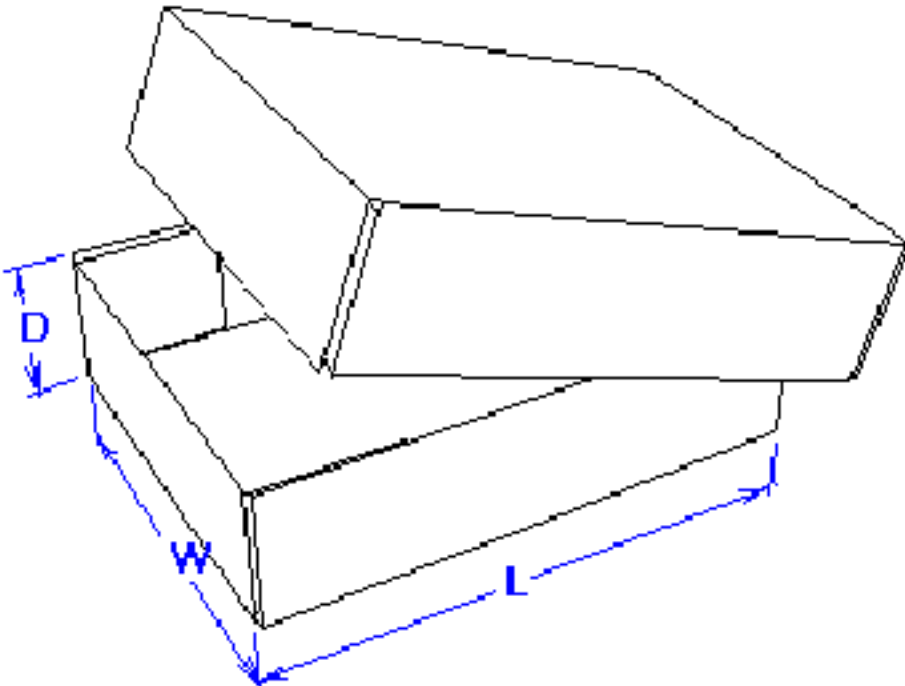


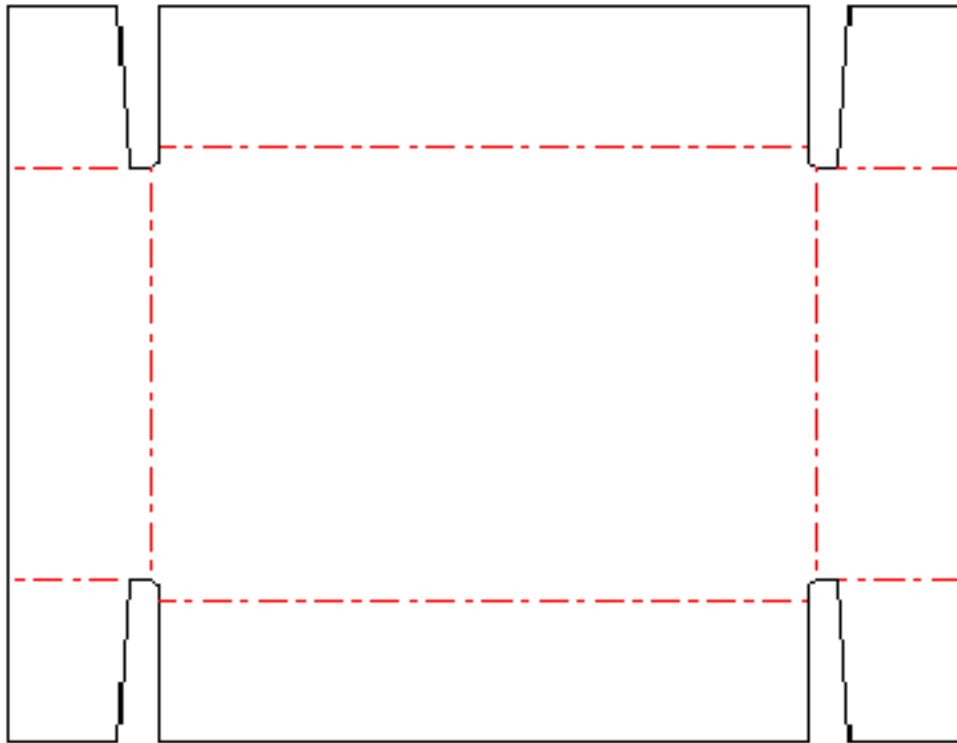
F0301 Base



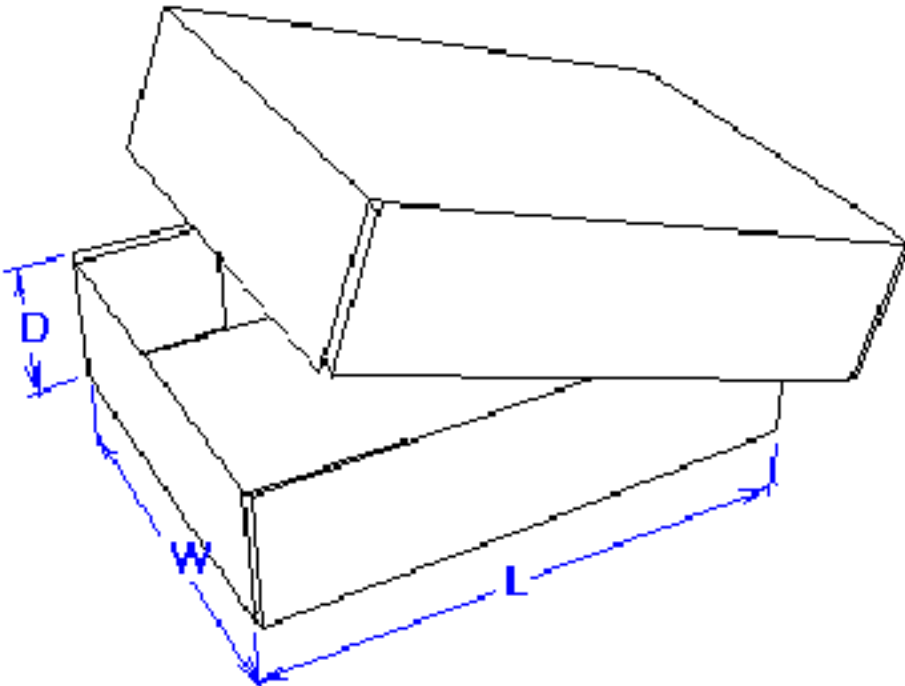


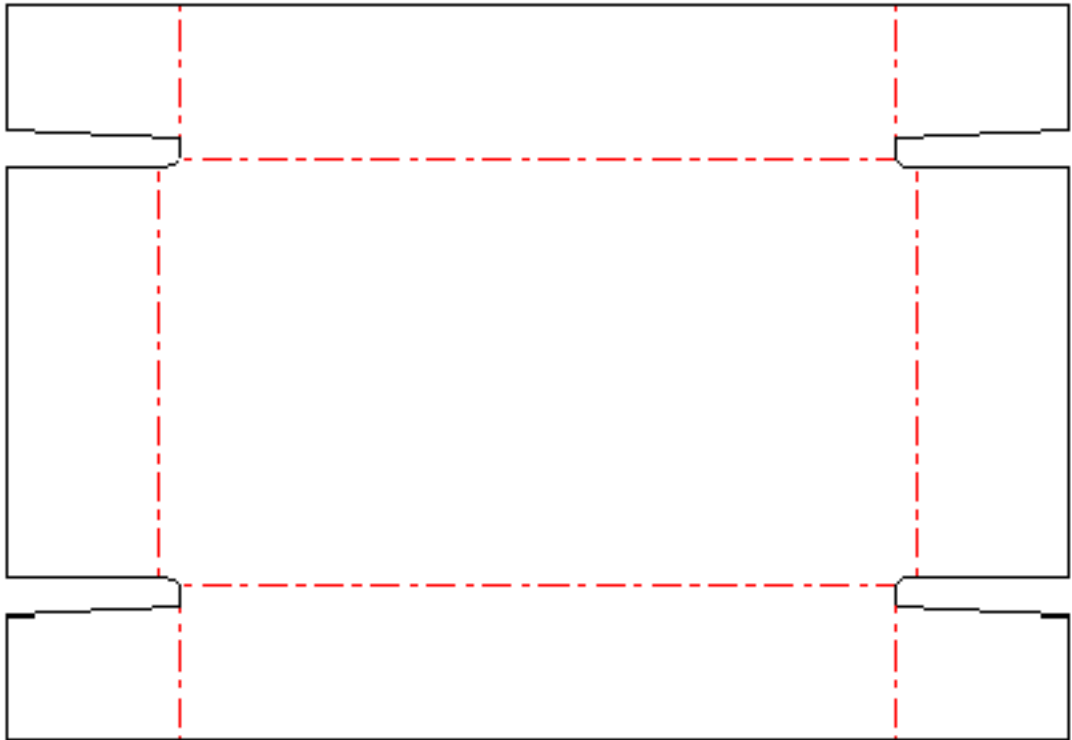
F0301 Base



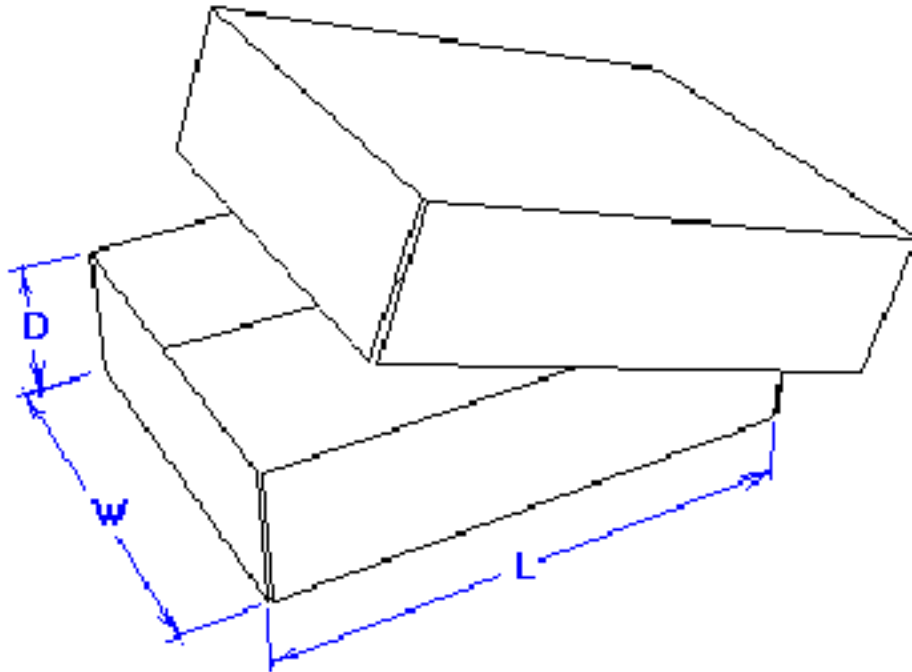


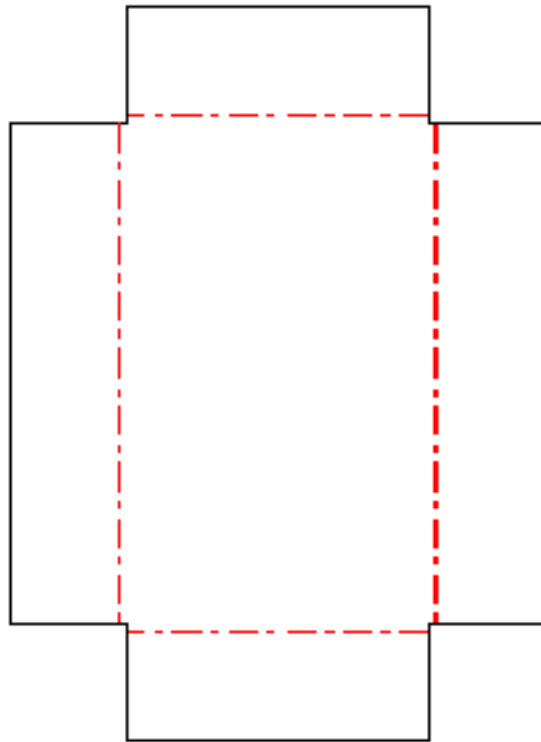
F0301 Lid



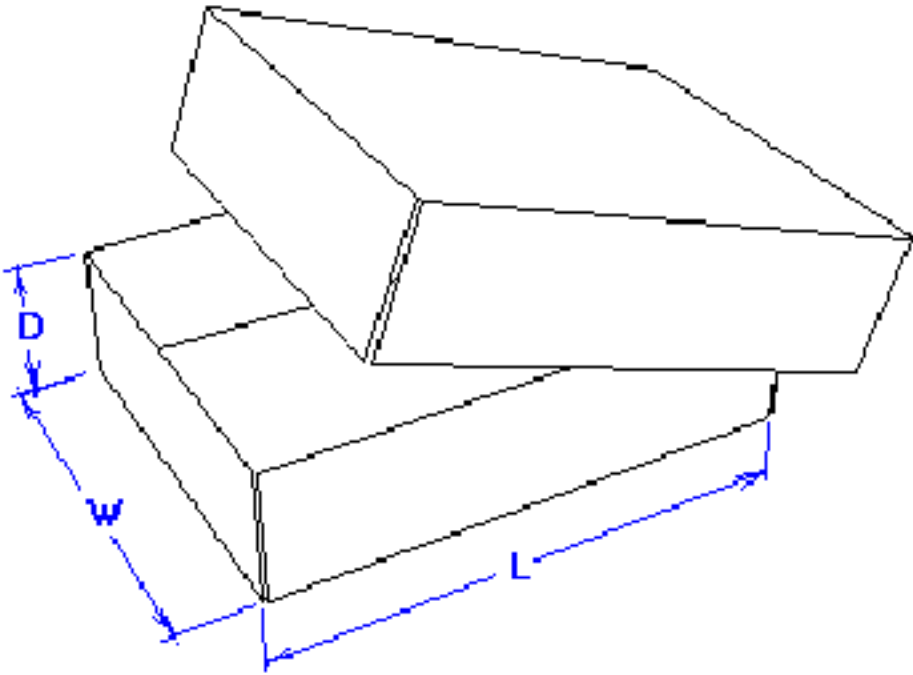


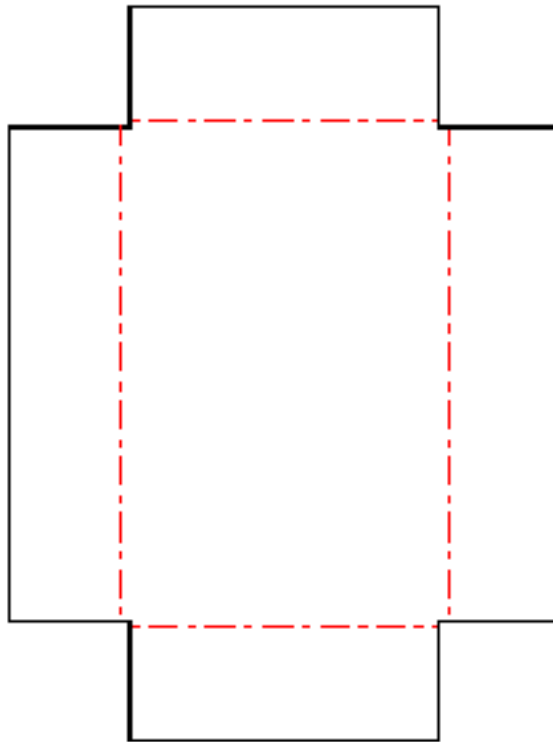
F0302 Base



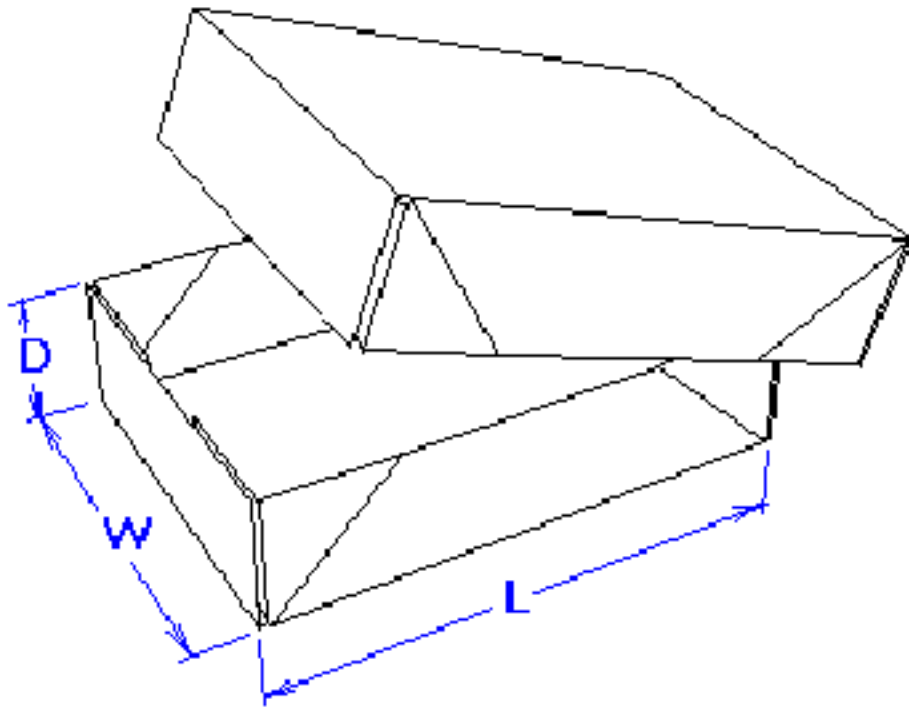


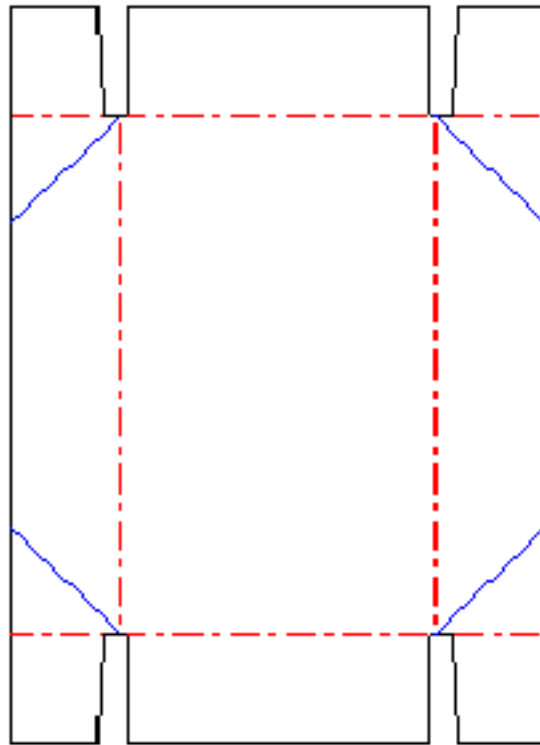
F0302 Lid



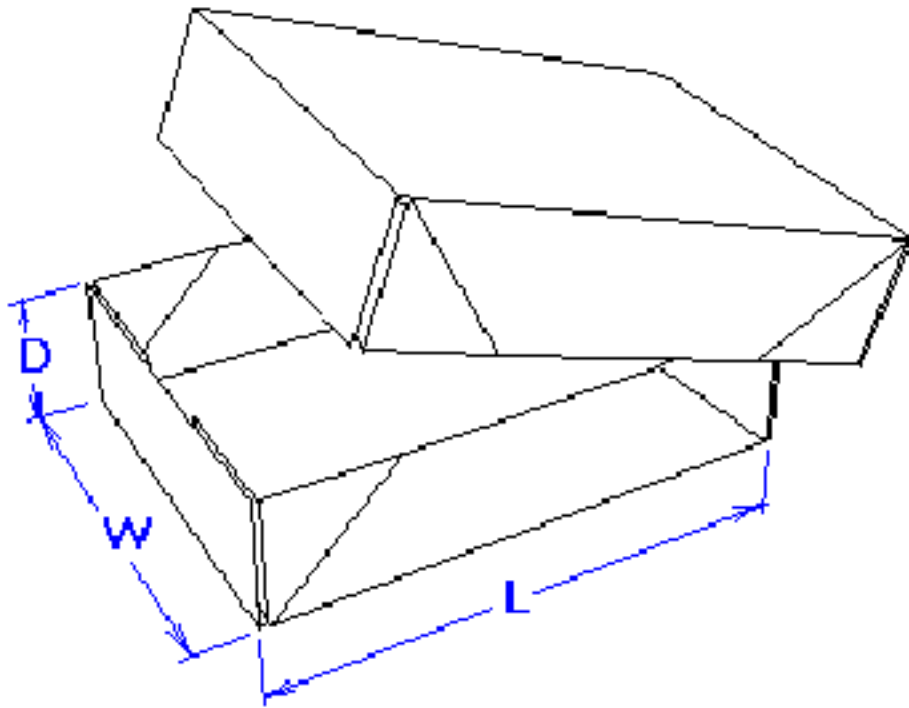


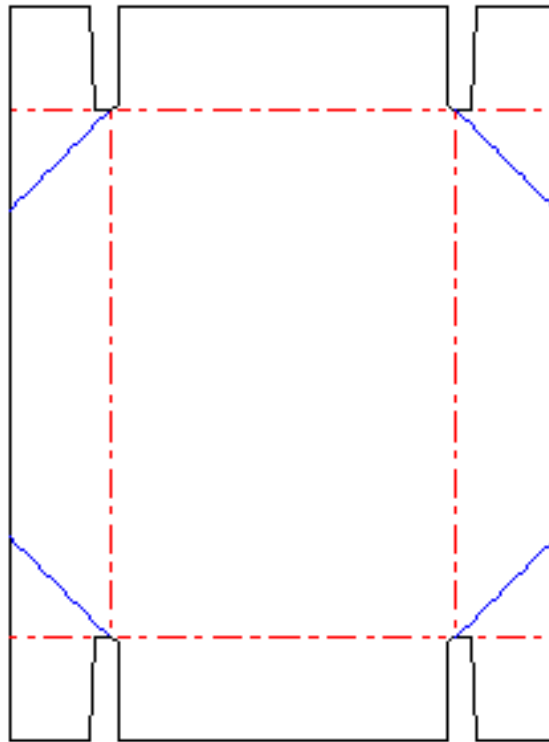
F0303 Base



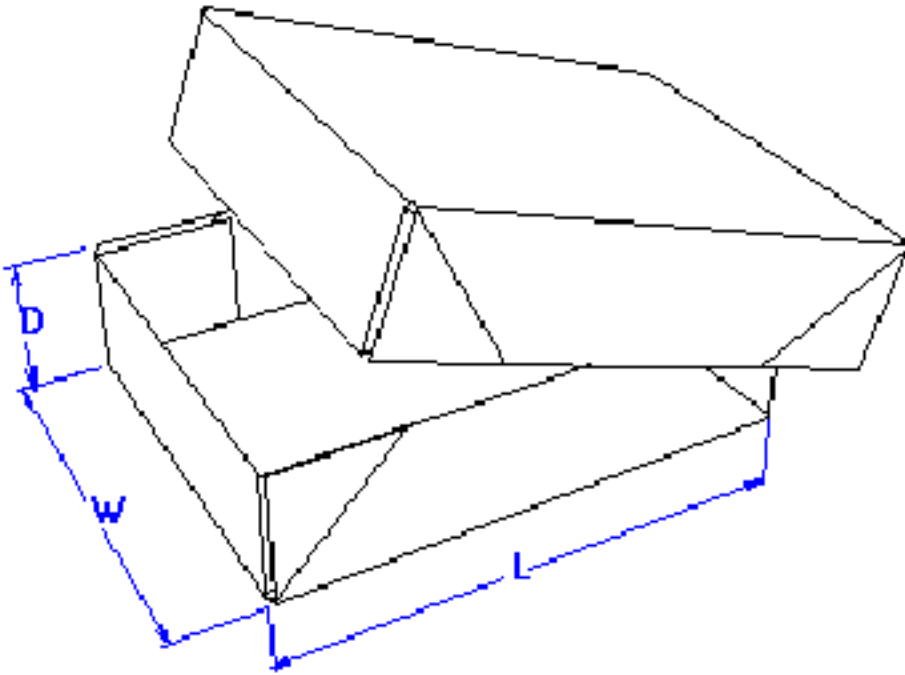


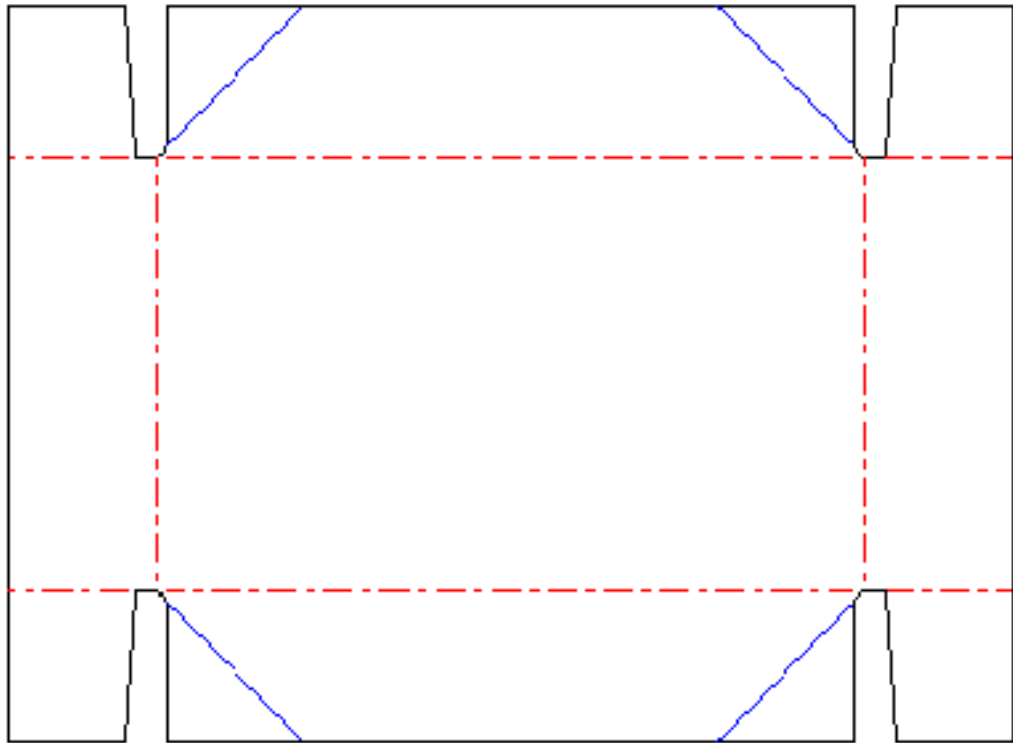
F0303 Lid



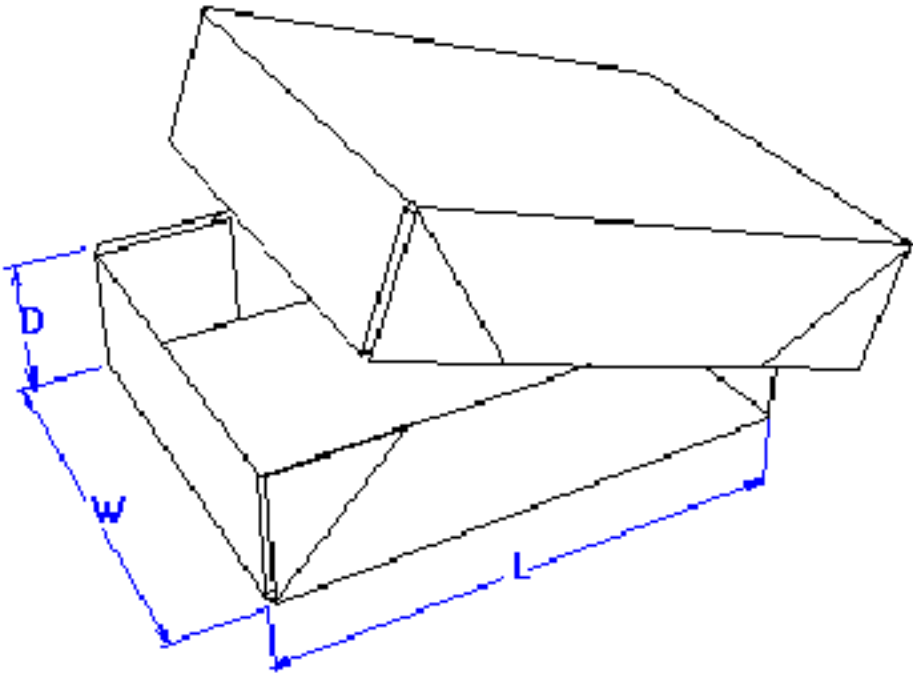


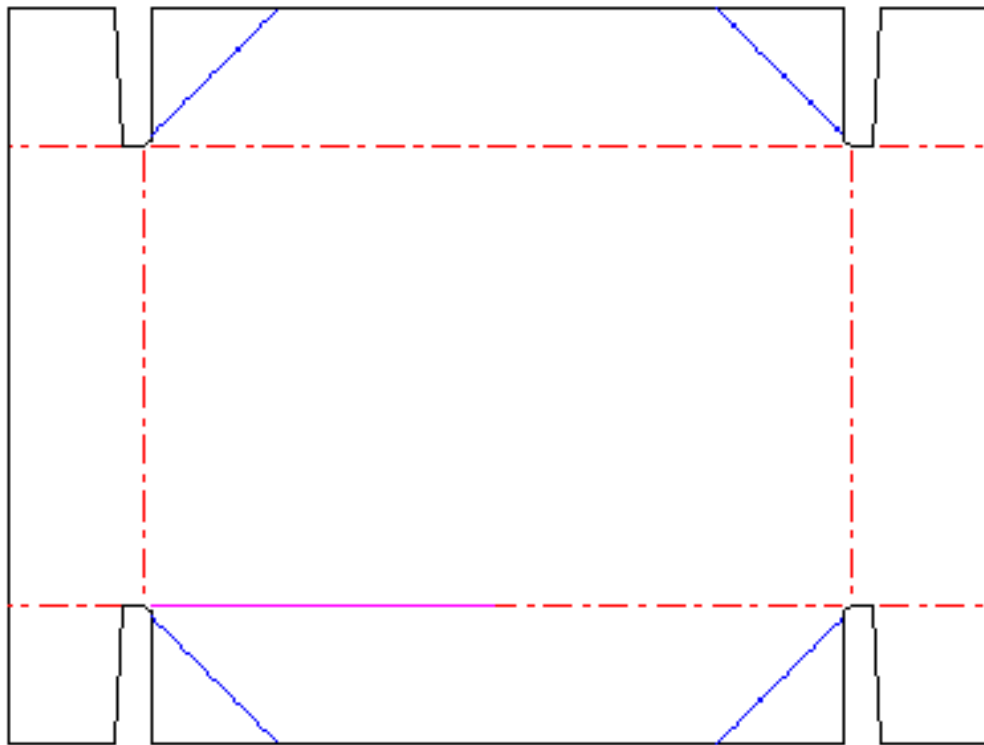
F0304 Base



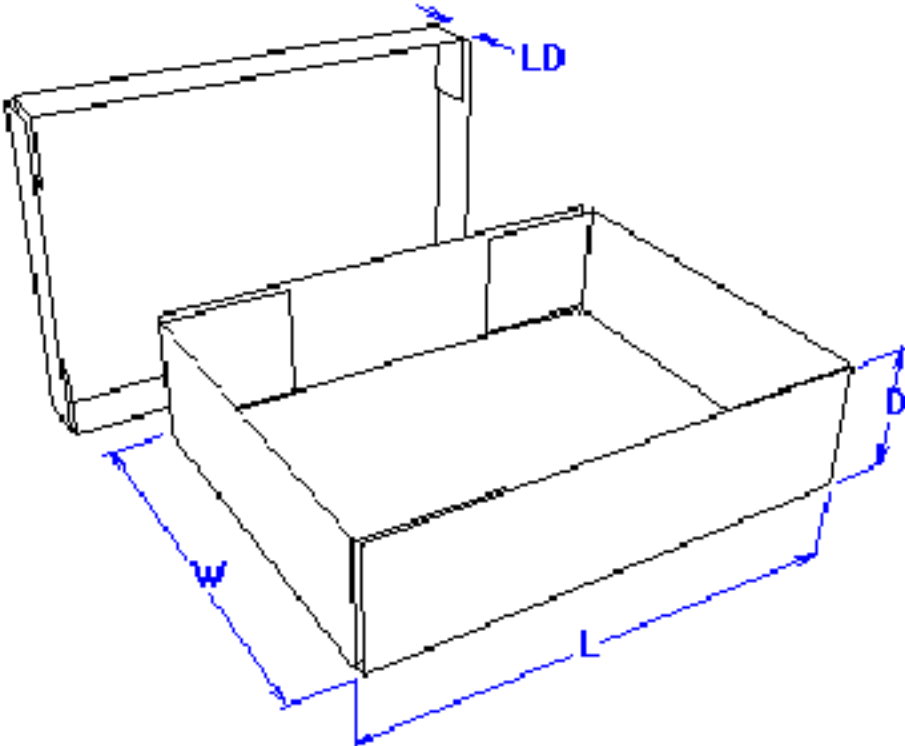


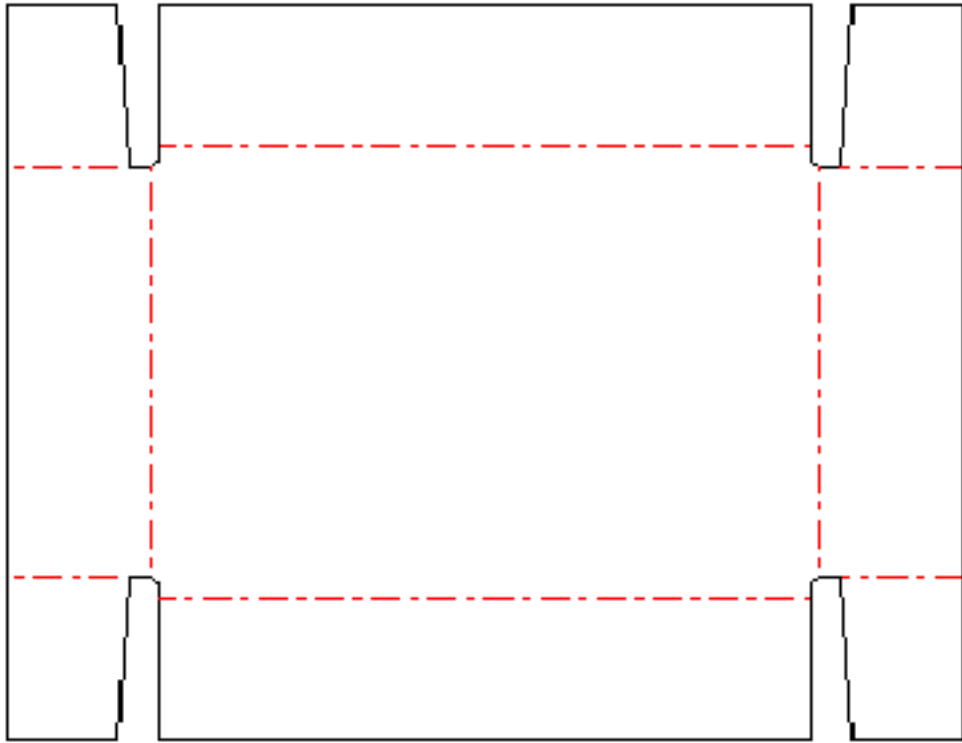
F0304 Lid



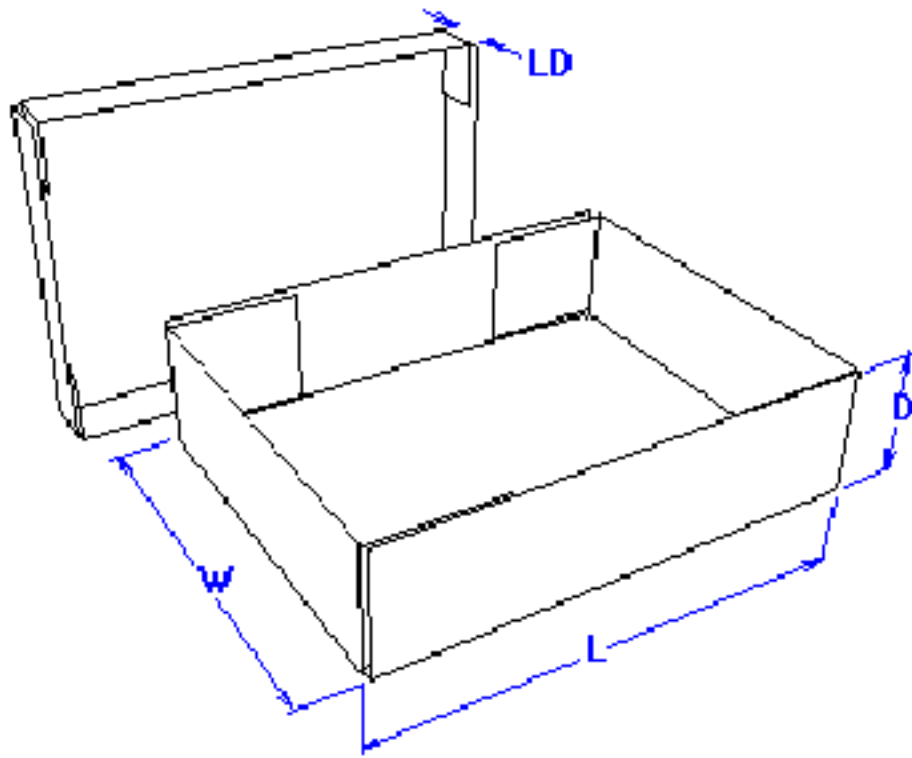


F0306 Base



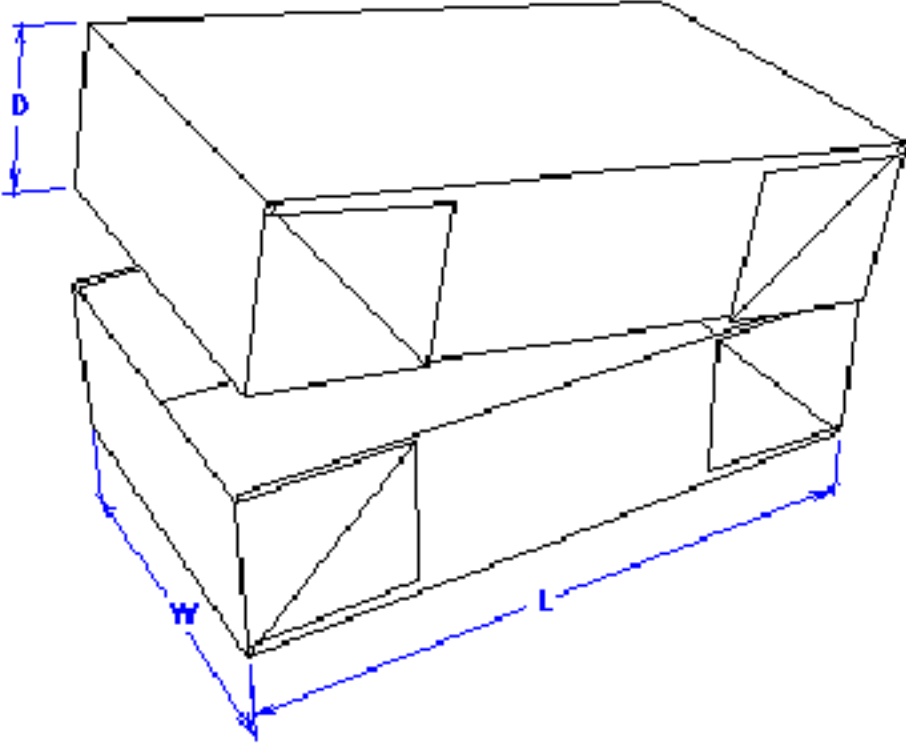


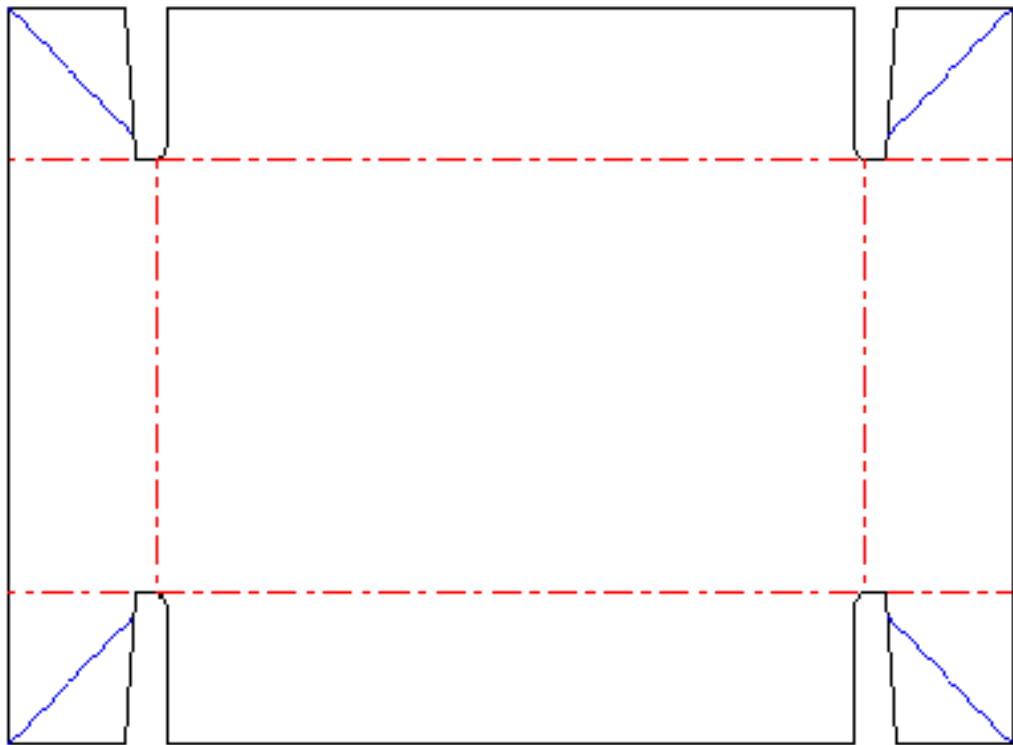
F0306 Lid



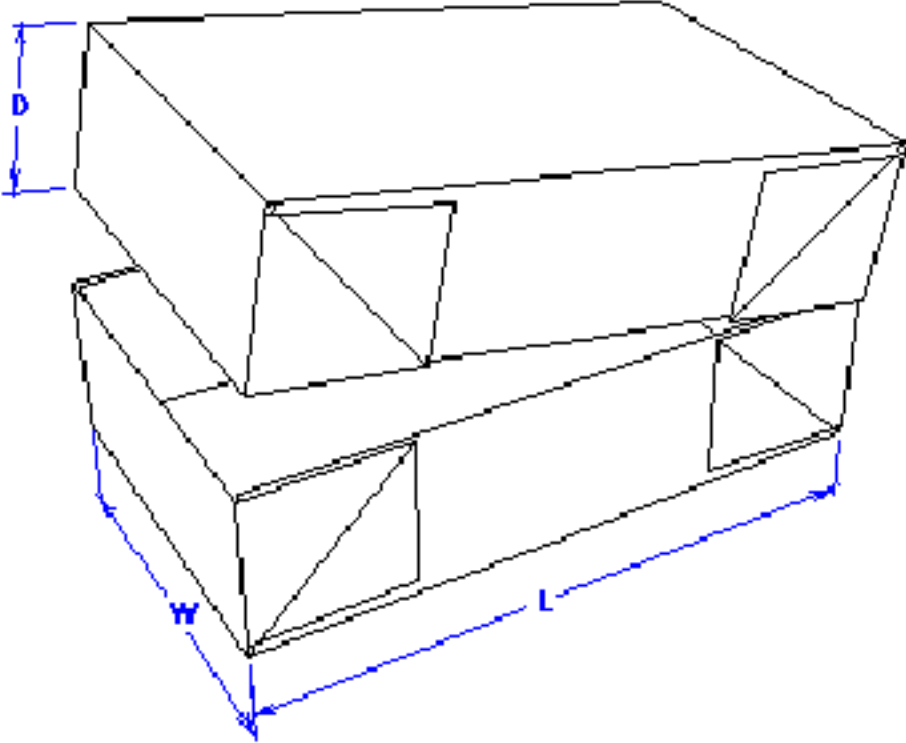


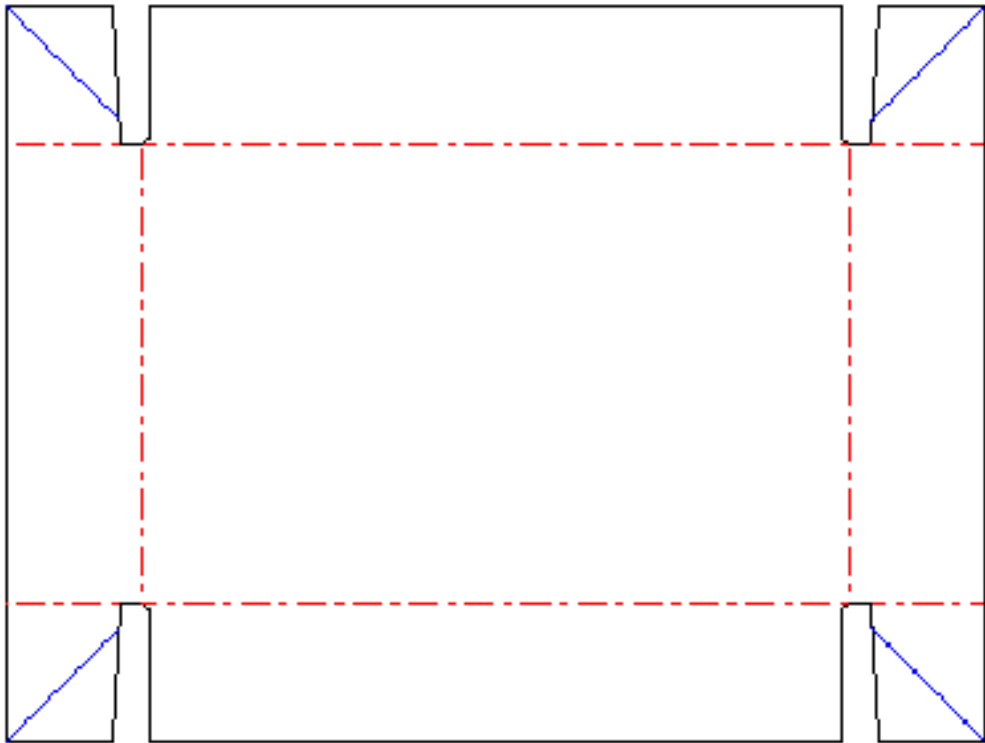
F0308 Base



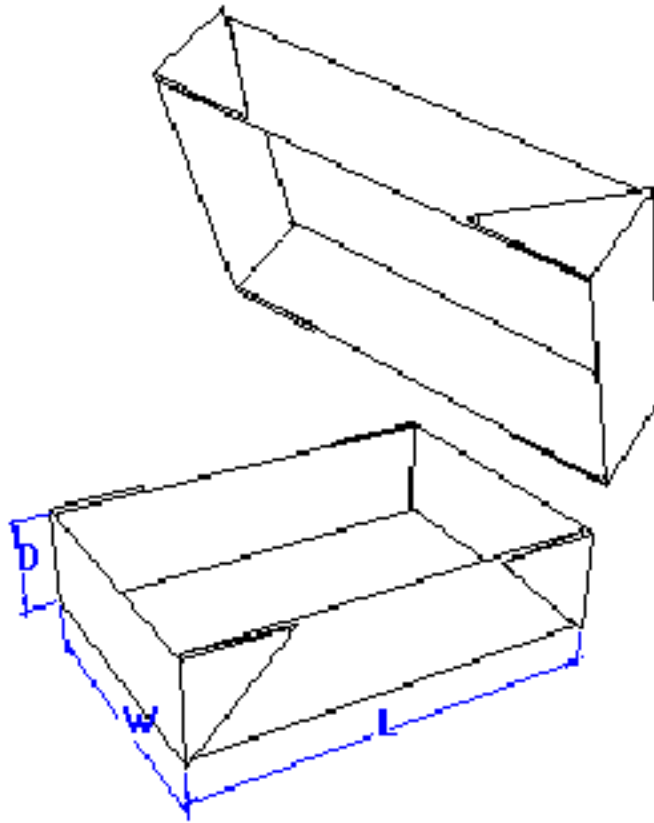


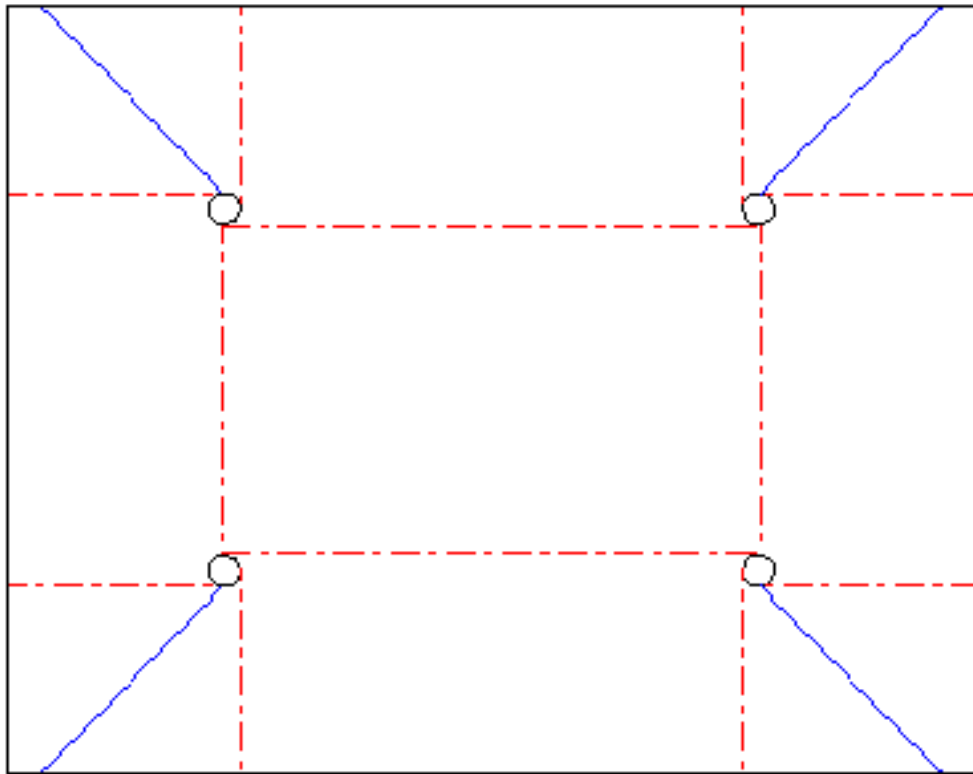
F0308 Lid



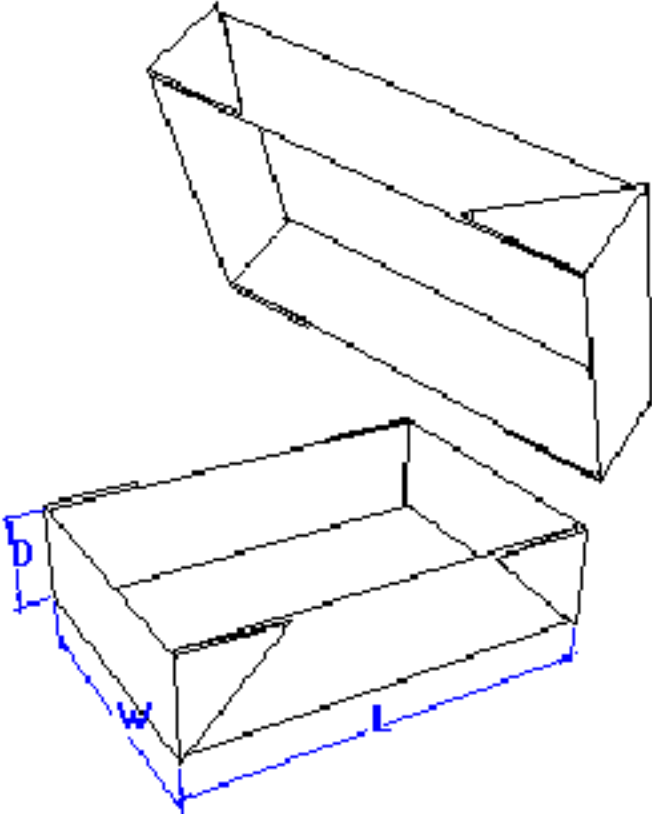


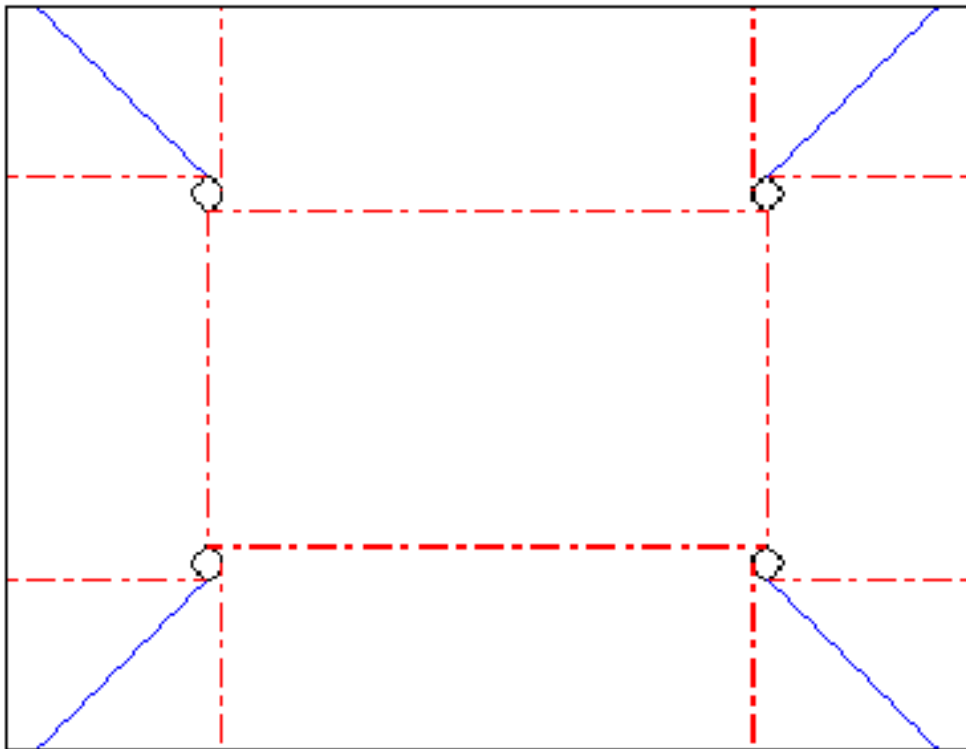
F0309 Base



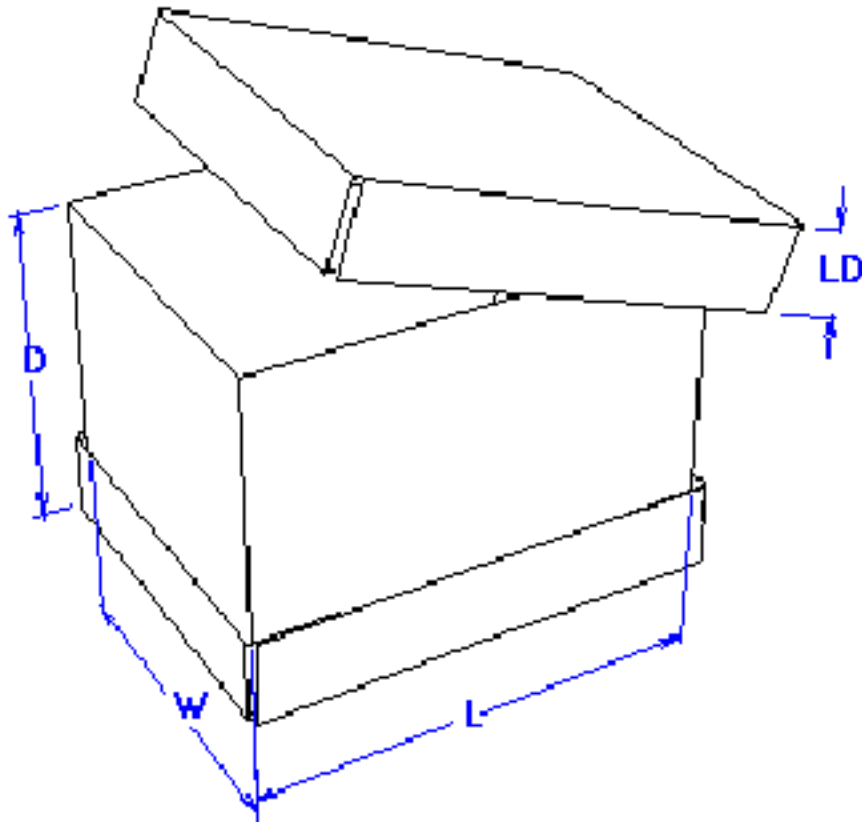


F0309 Lid



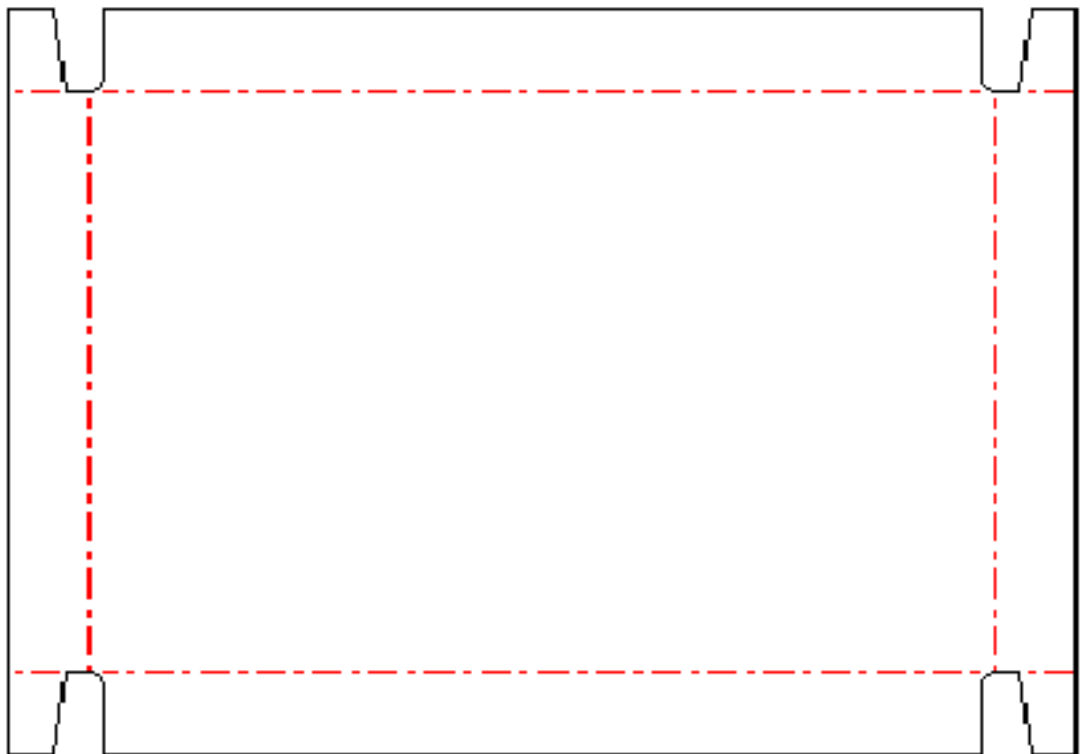
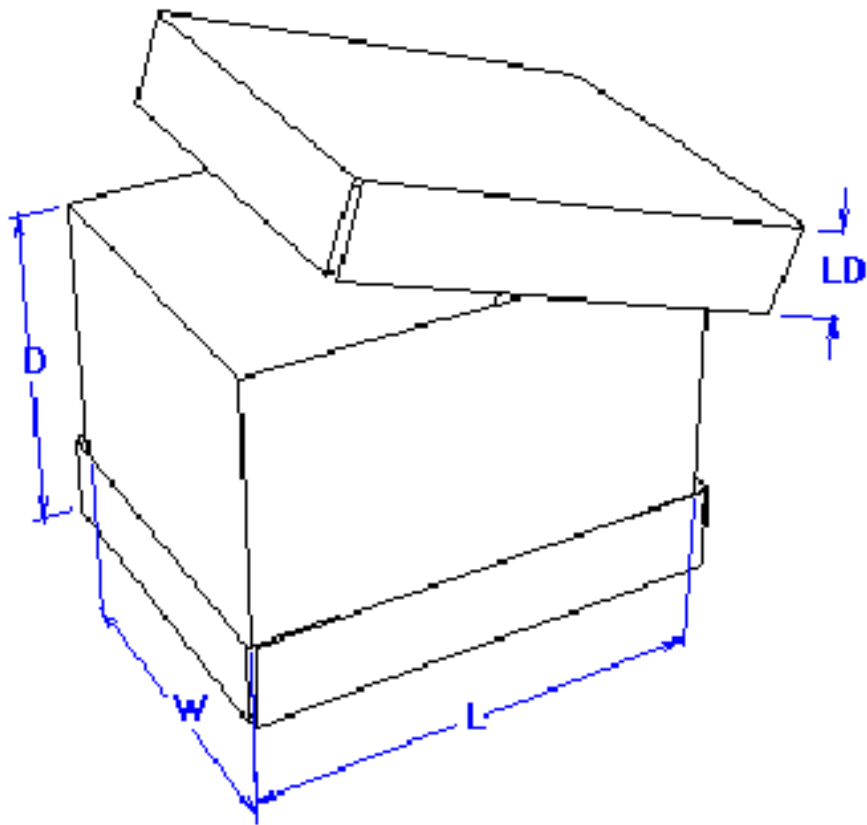


F0310 Body

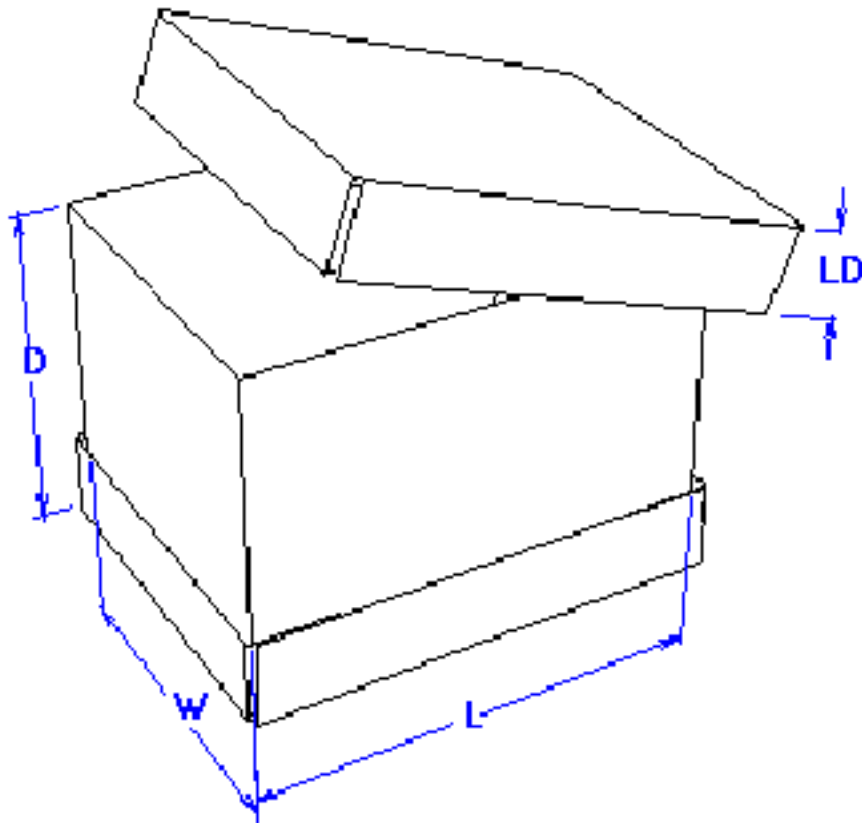




F0310 Cover

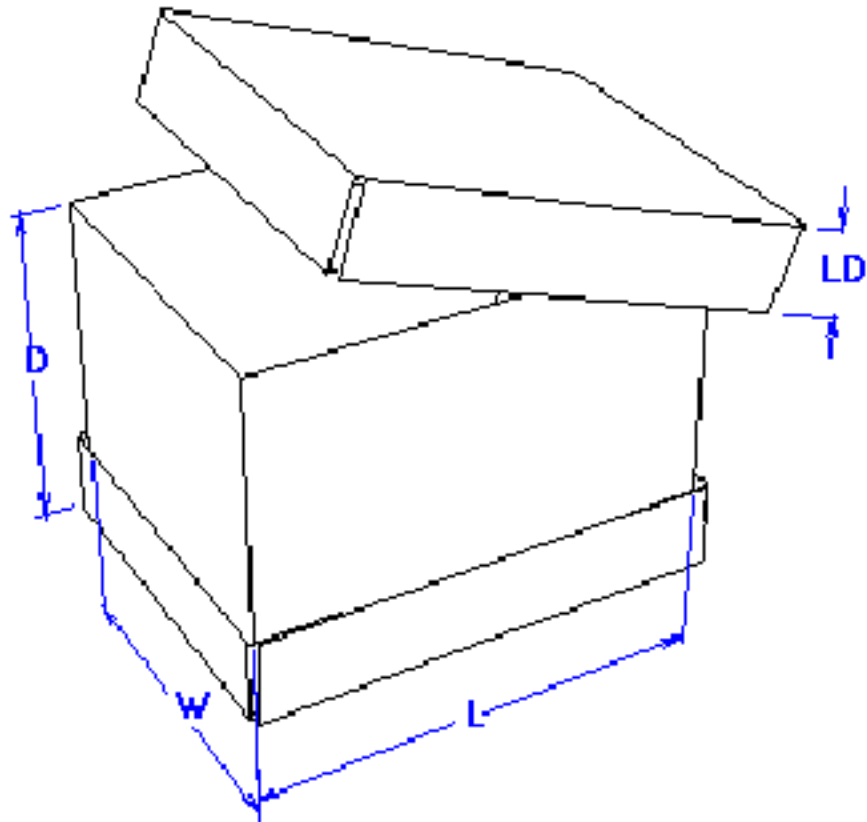


F0311 Body



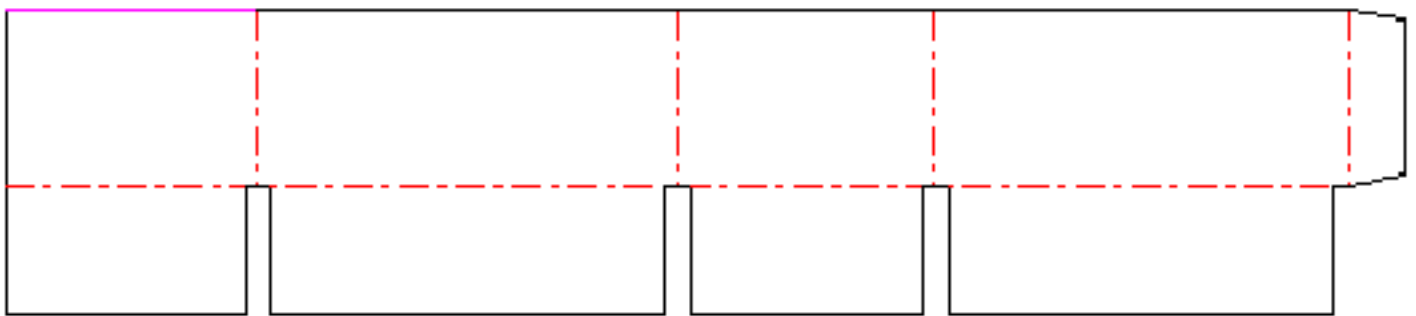
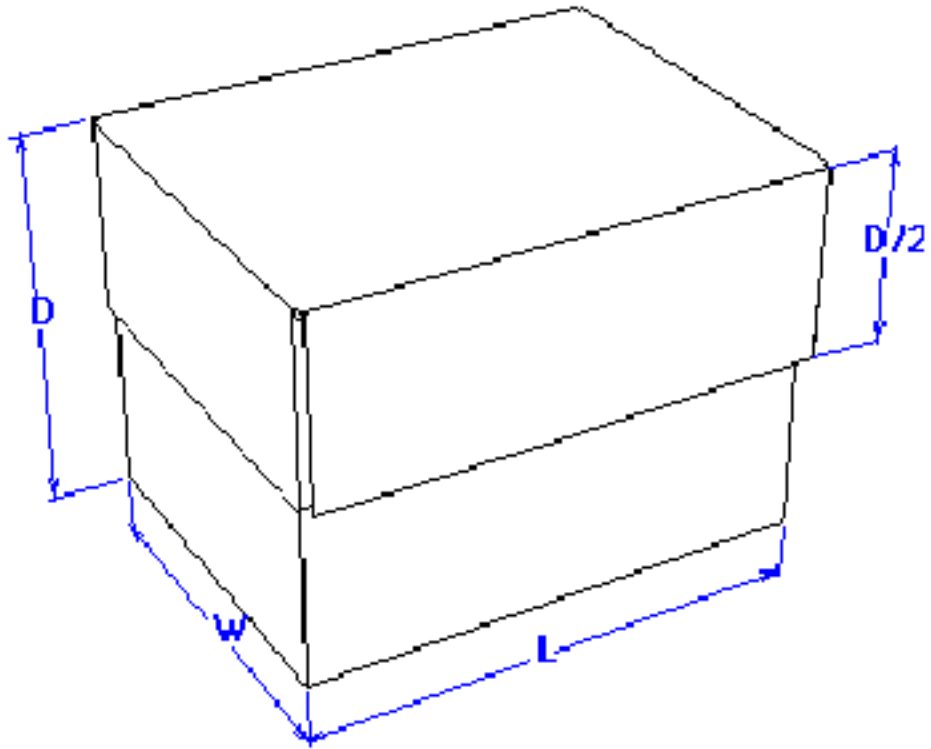


F0311 Cover

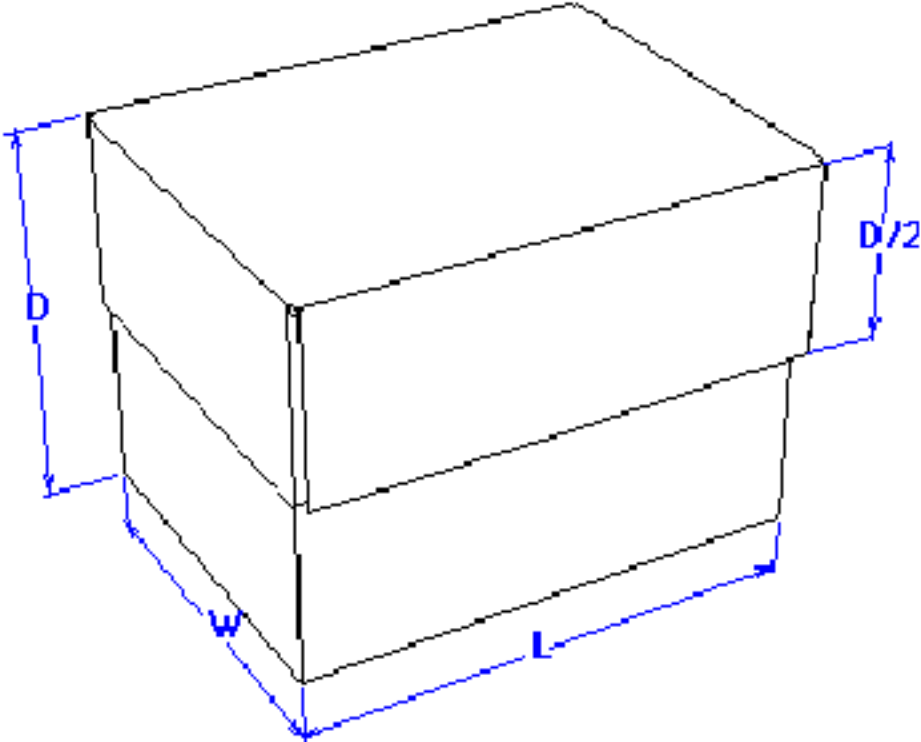


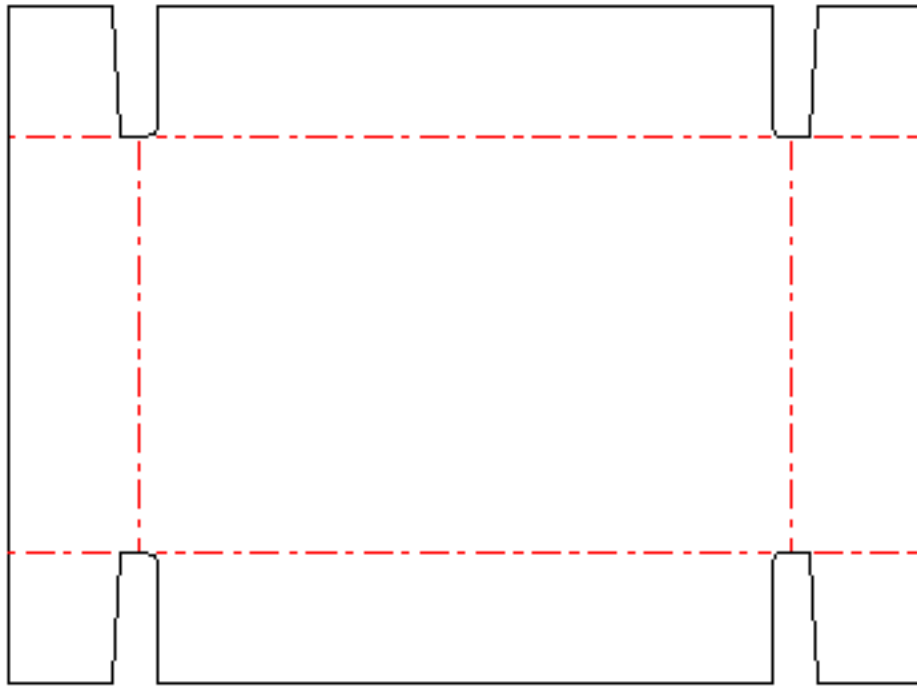


F0312 Body

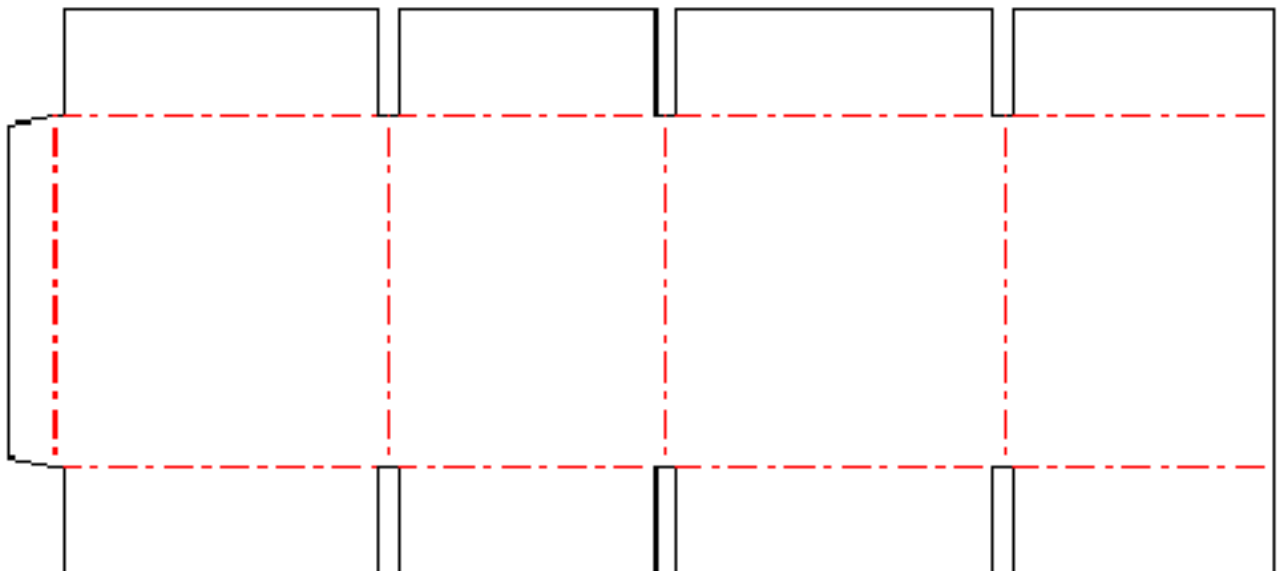
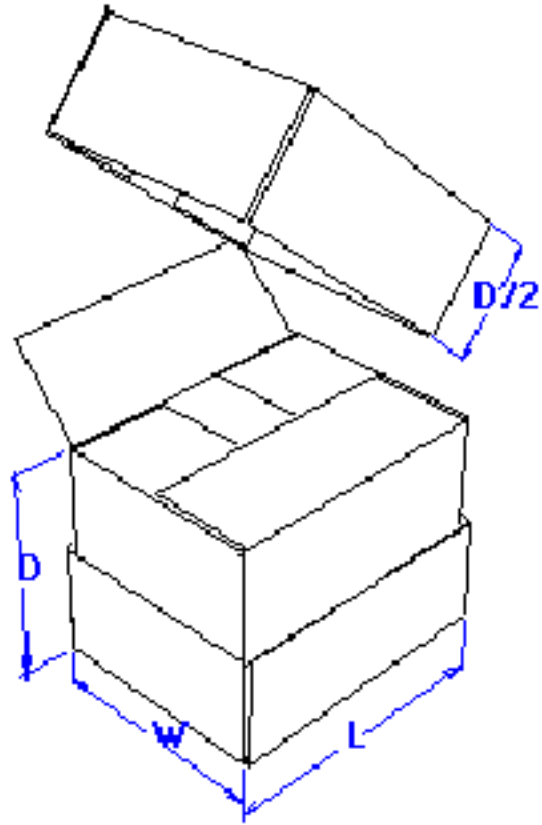


F0312 Cover

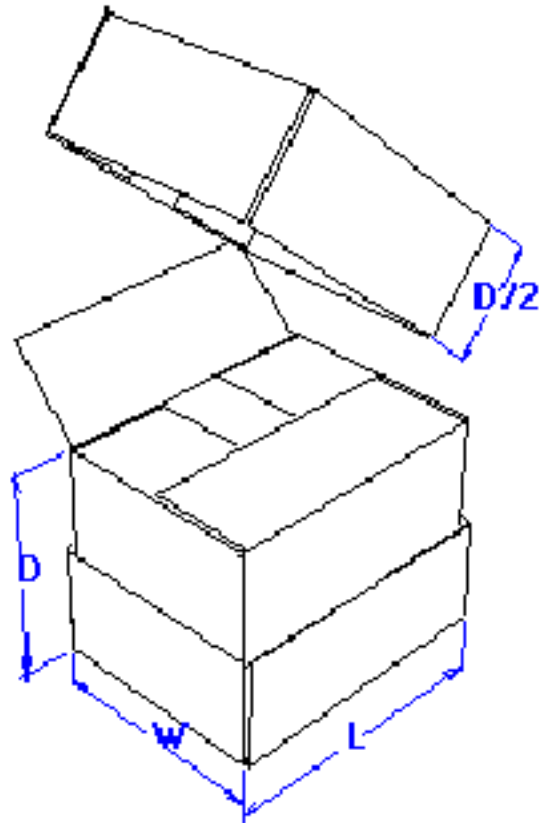


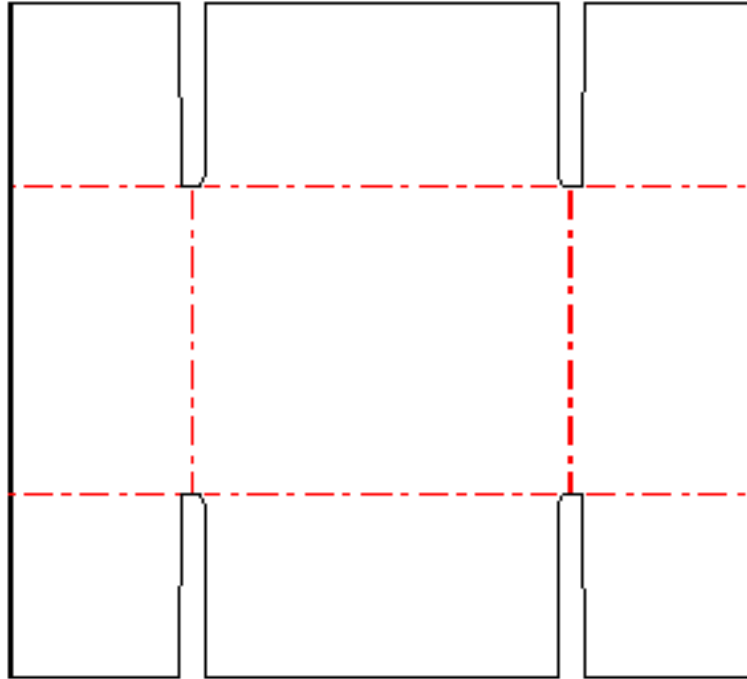


F0313 Body

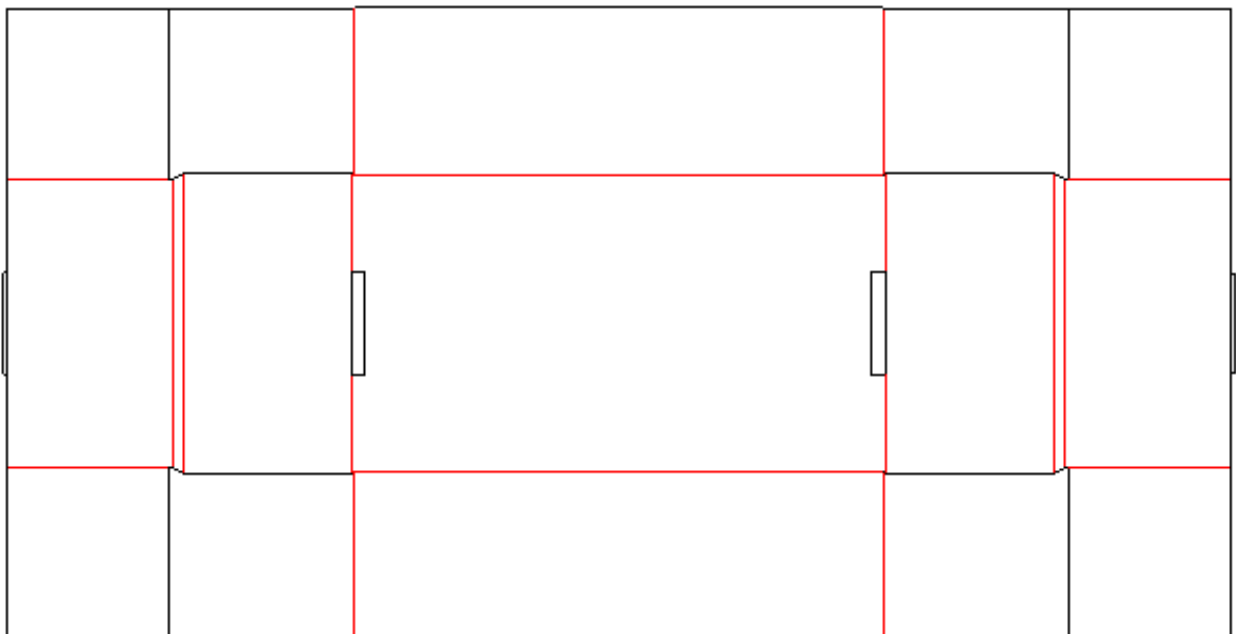
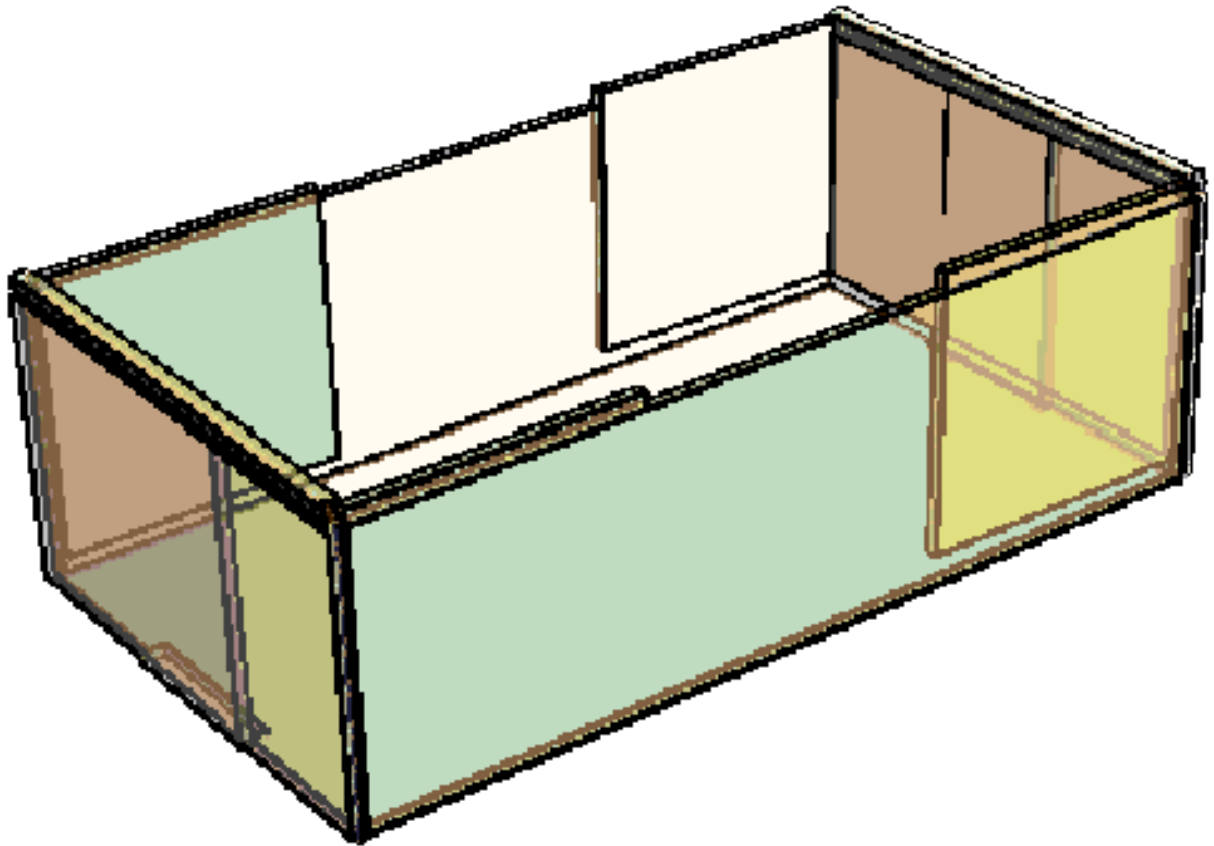


F0313 Cover

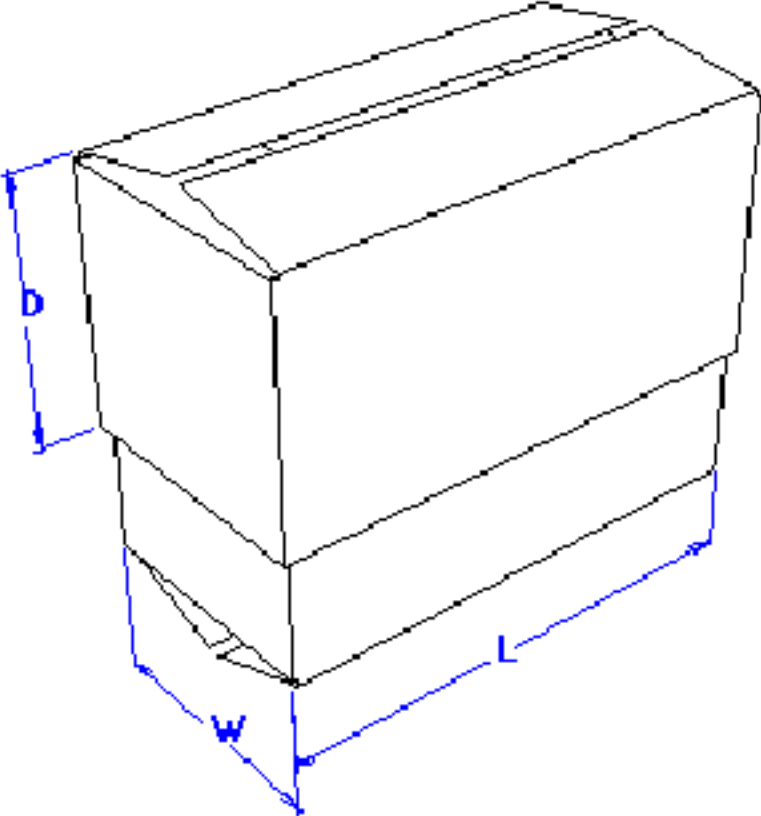


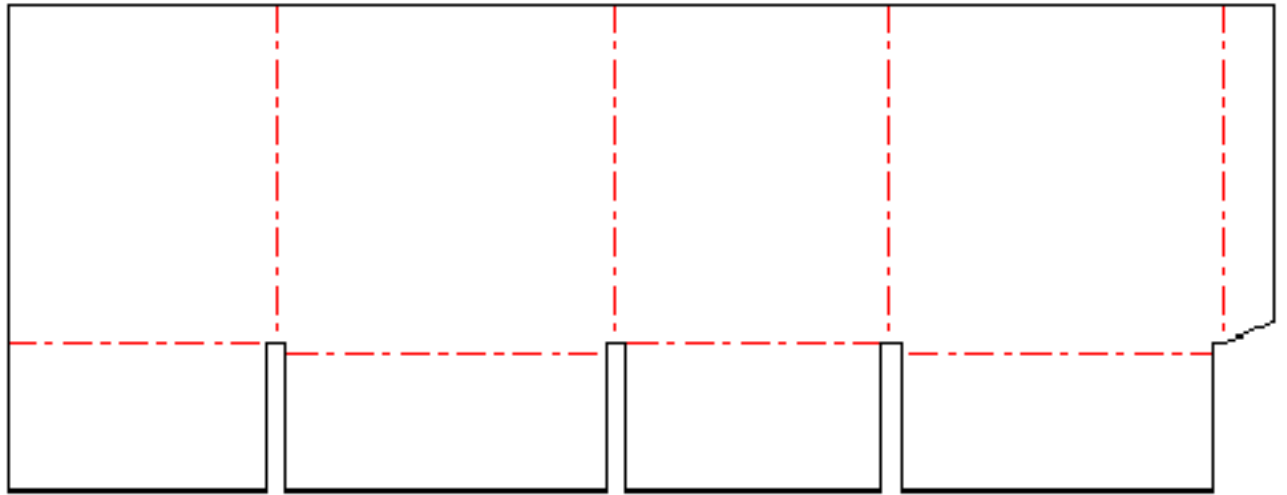


F0314a

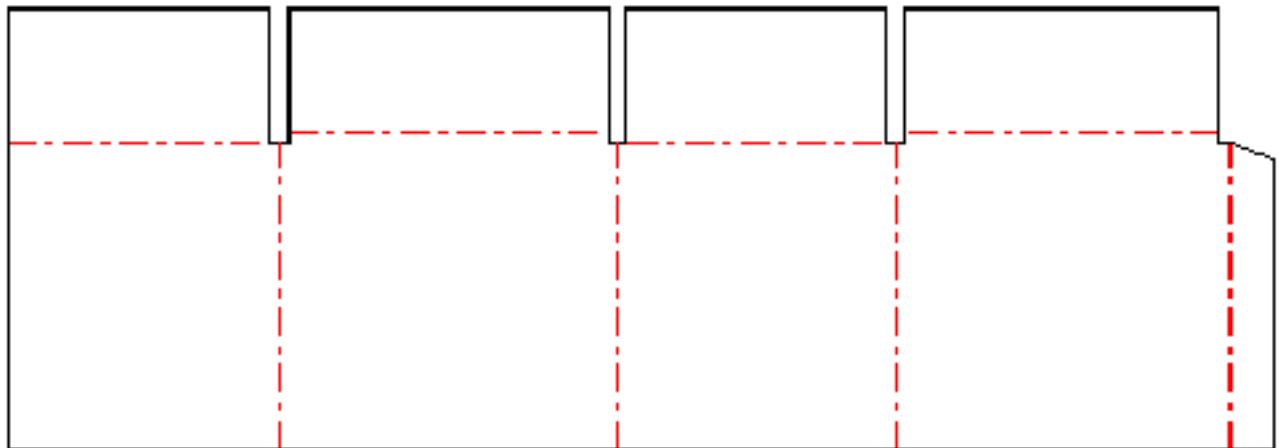
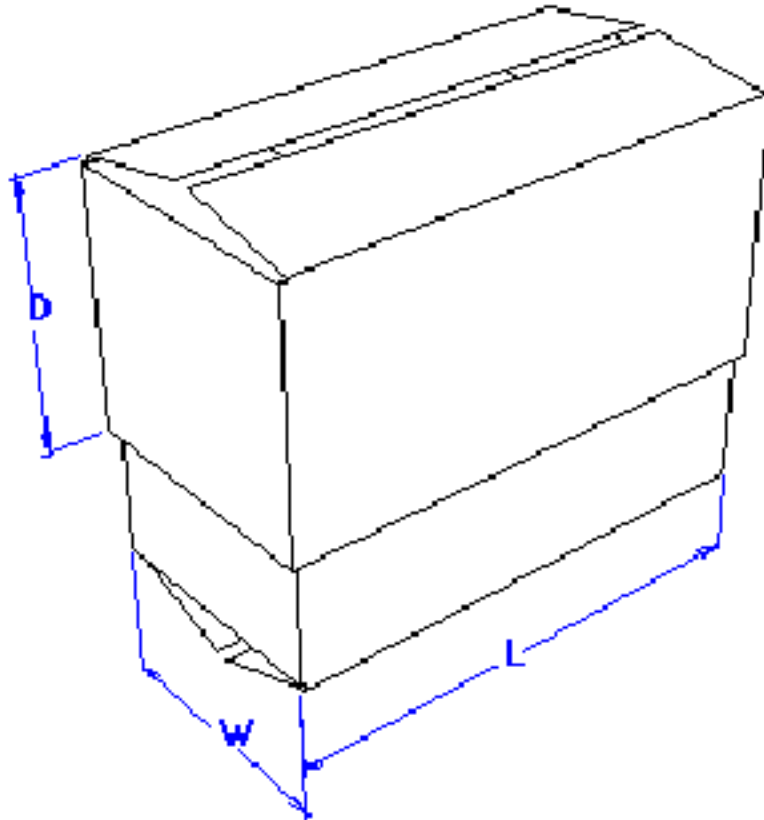


F0320 Body

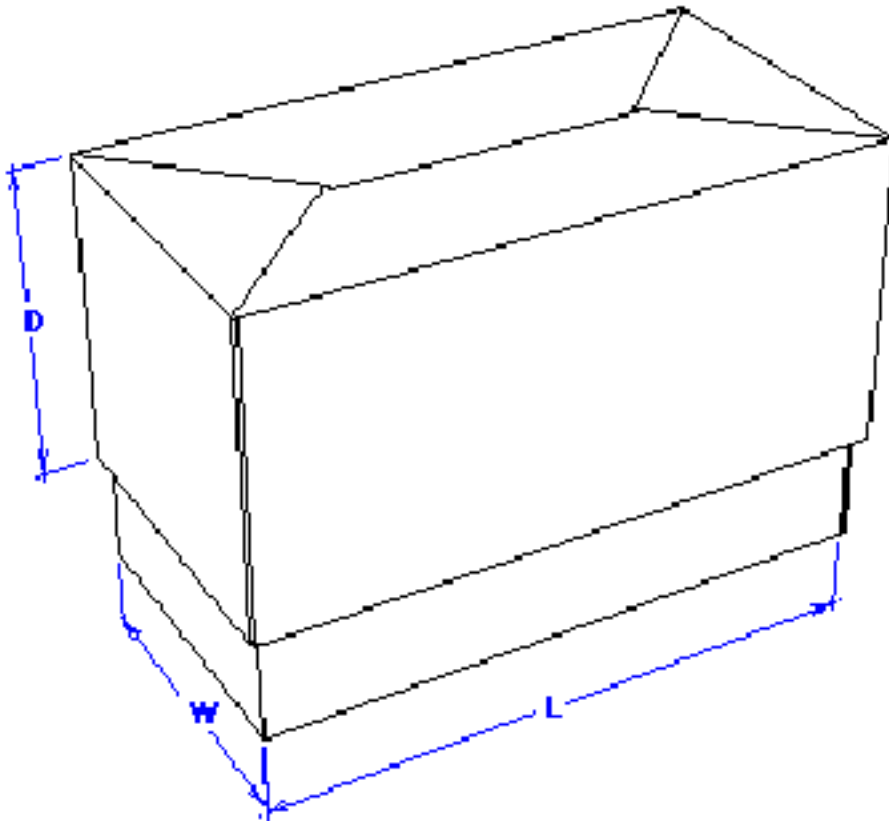


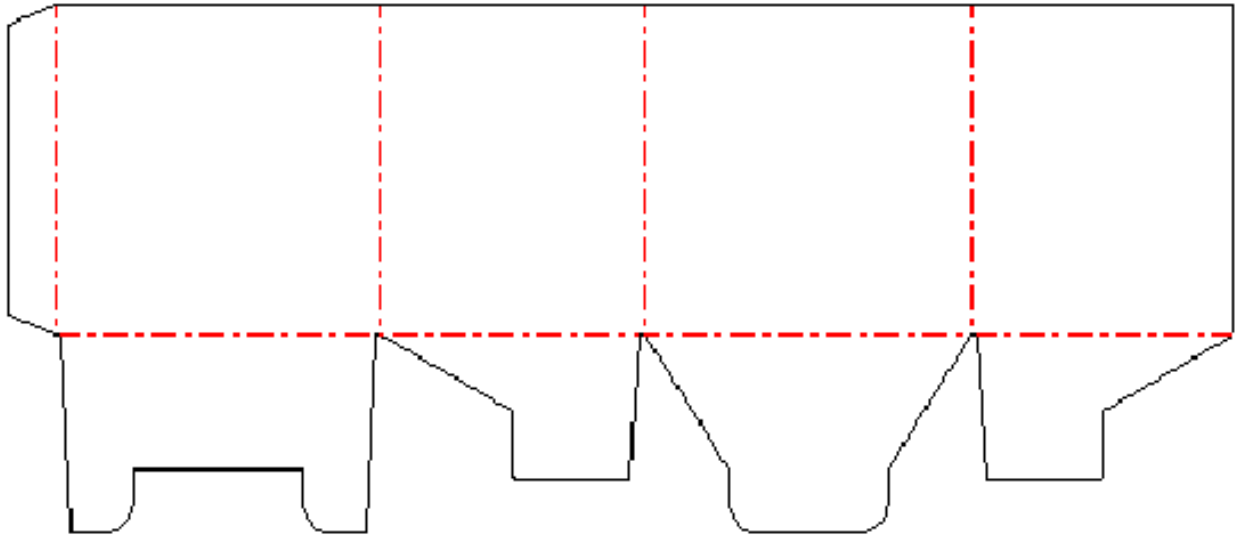


F0320 Cover

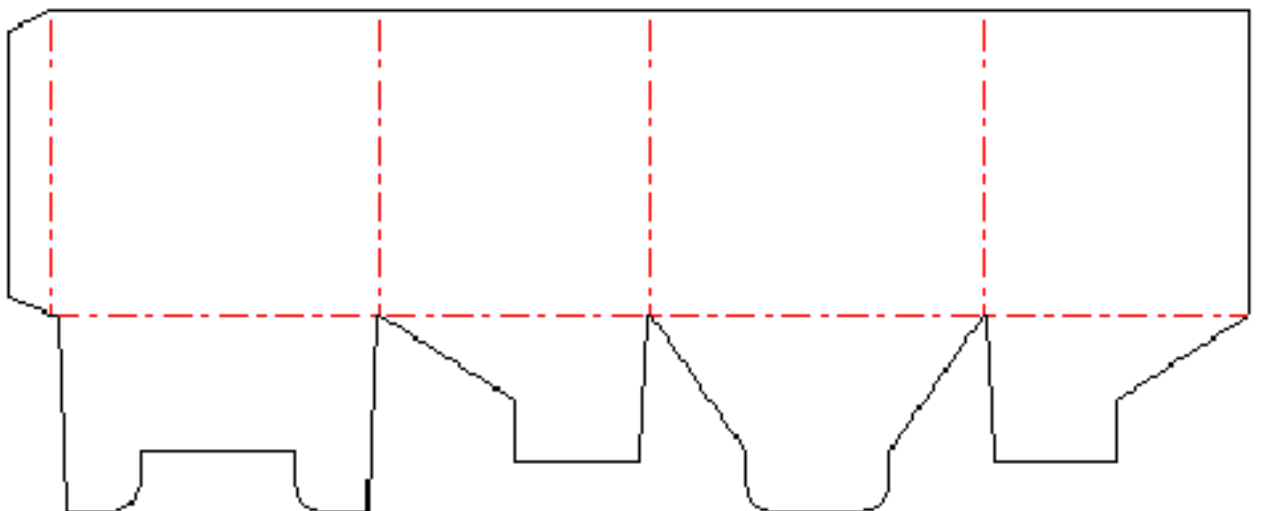
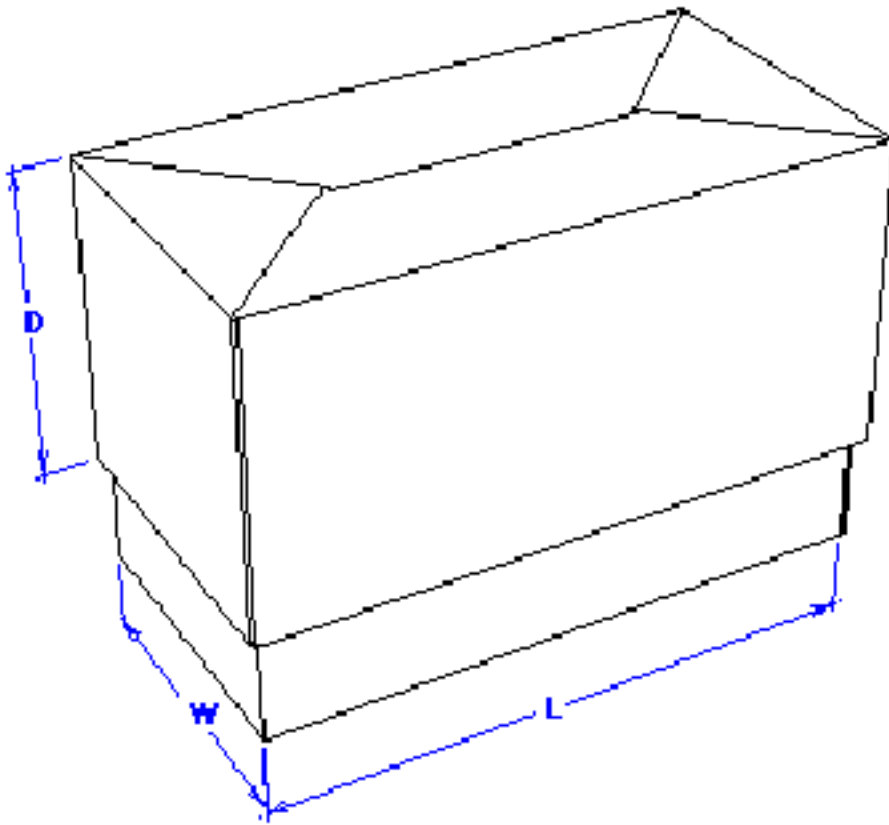


F0321 Body

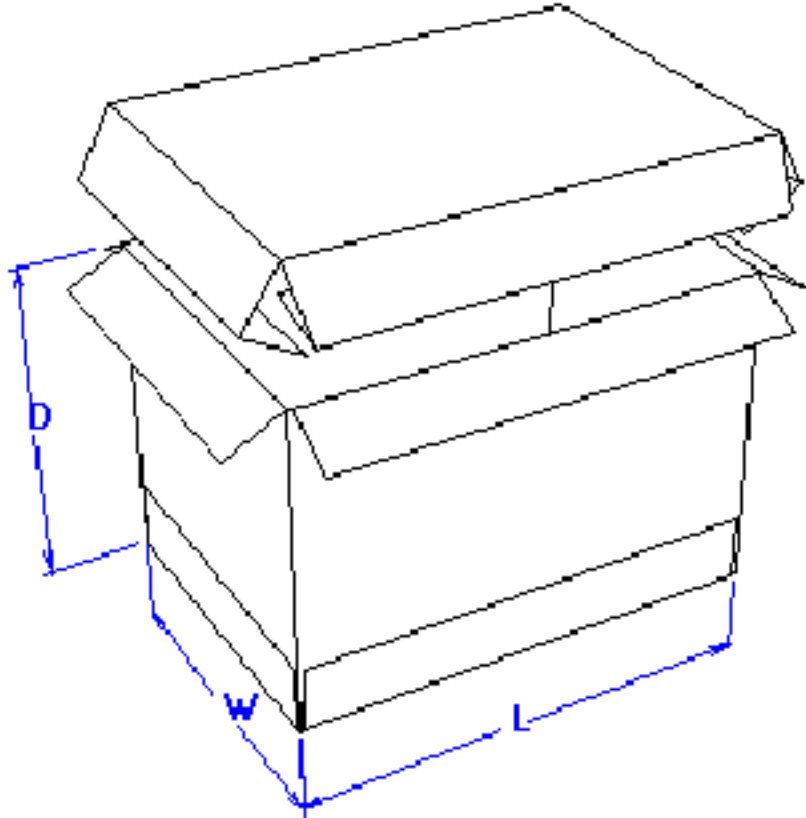


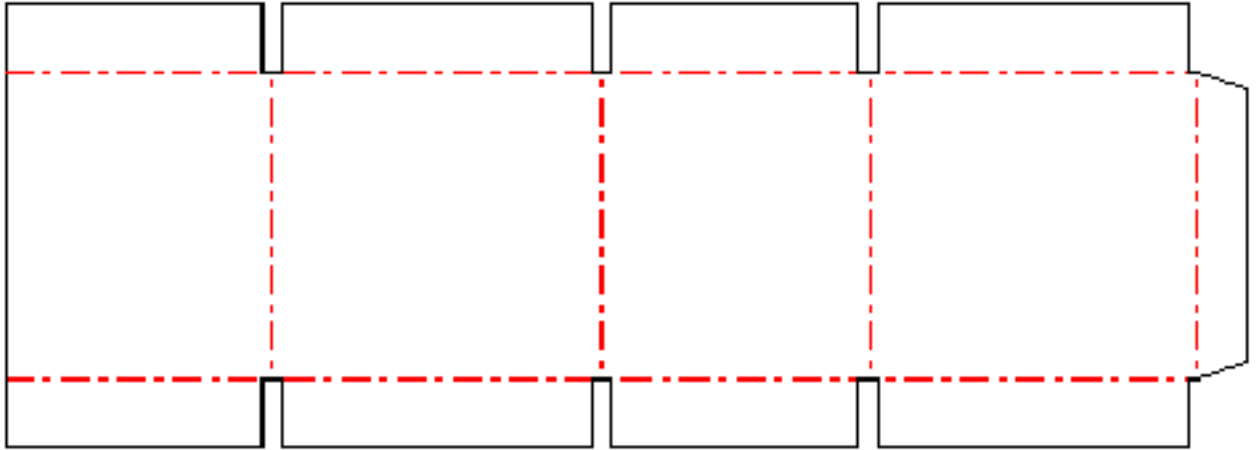


F0321 Cover

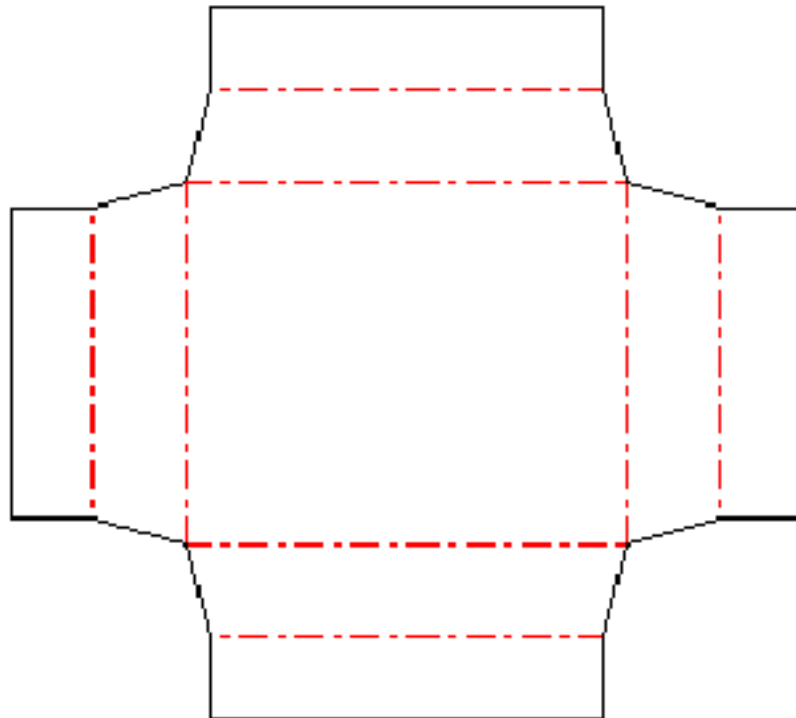
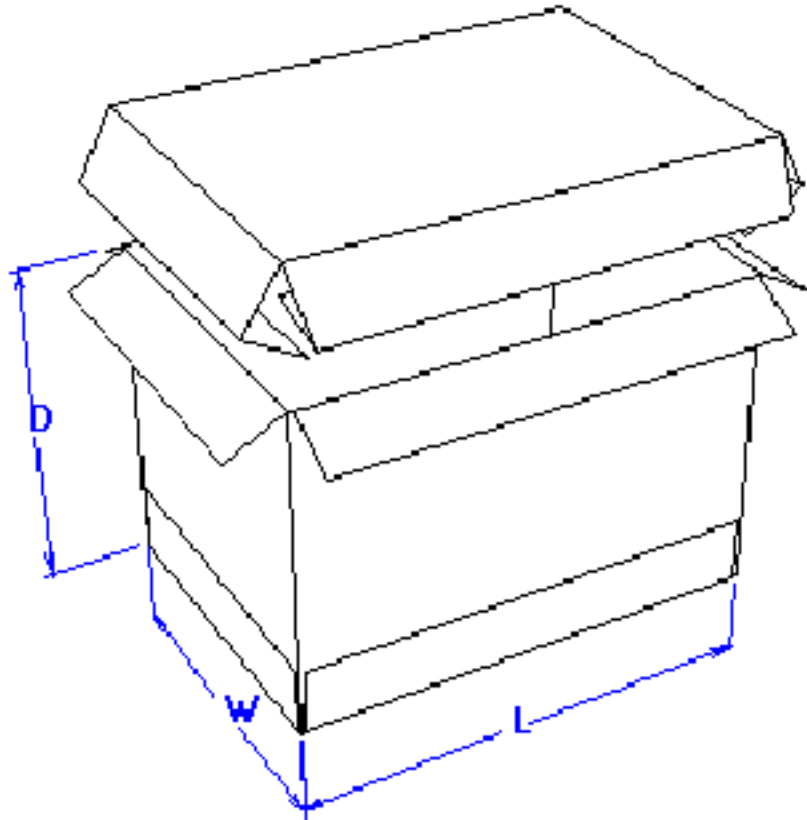


F0325 Body

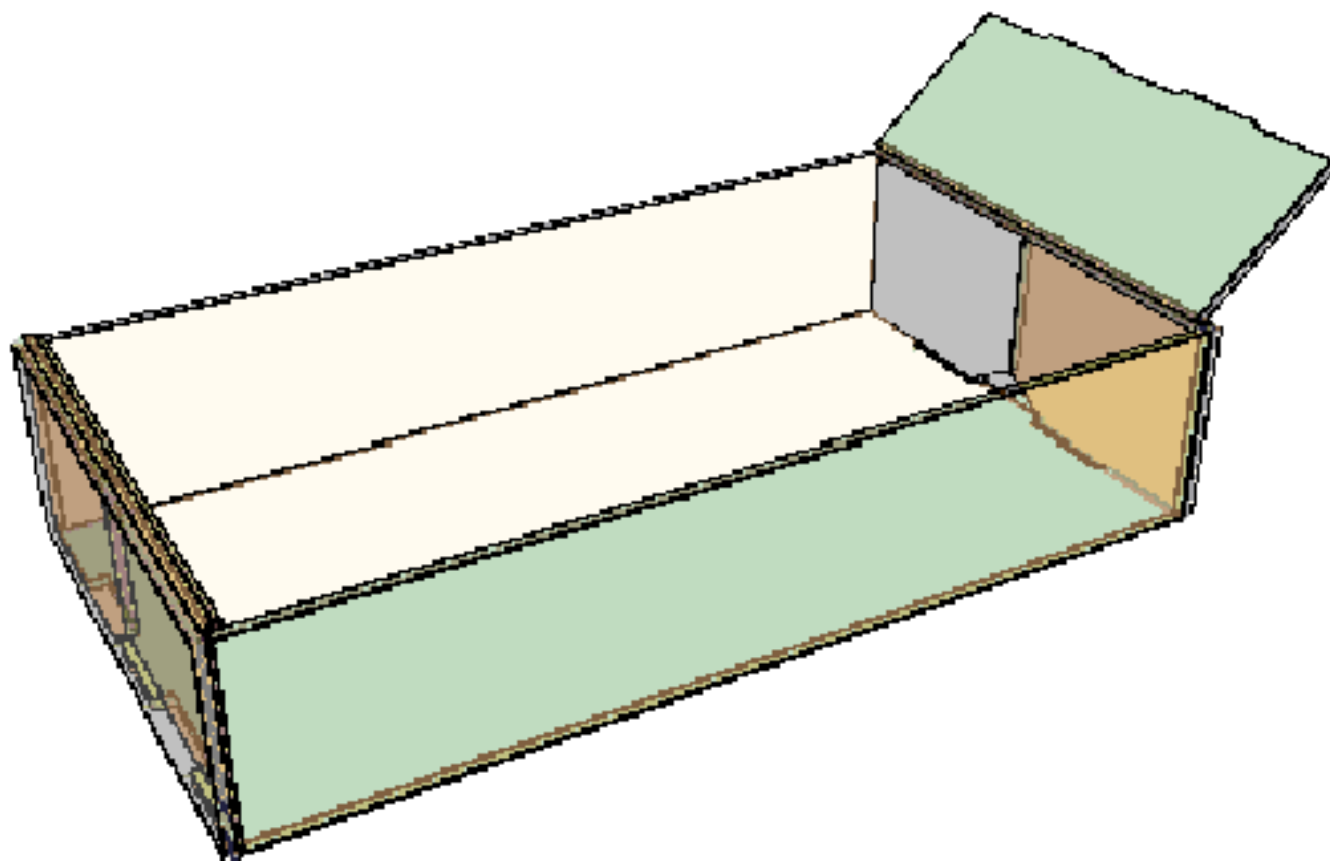


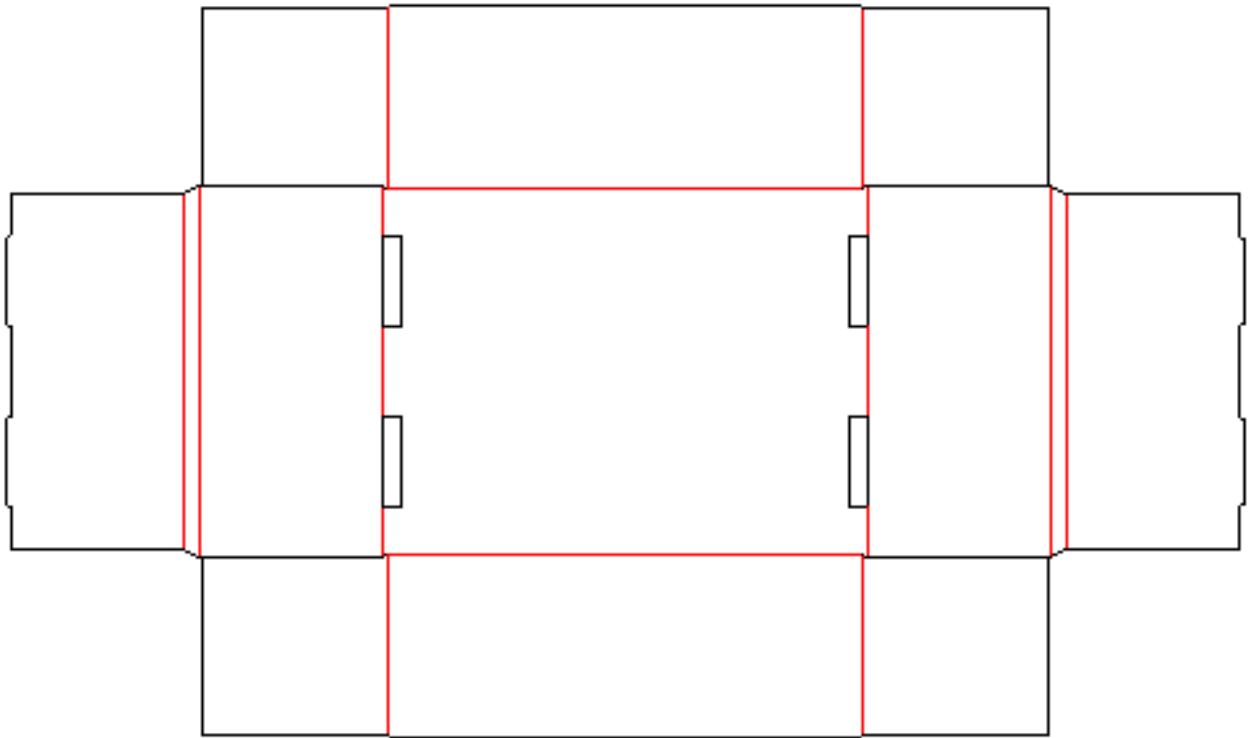


F0325 Cover

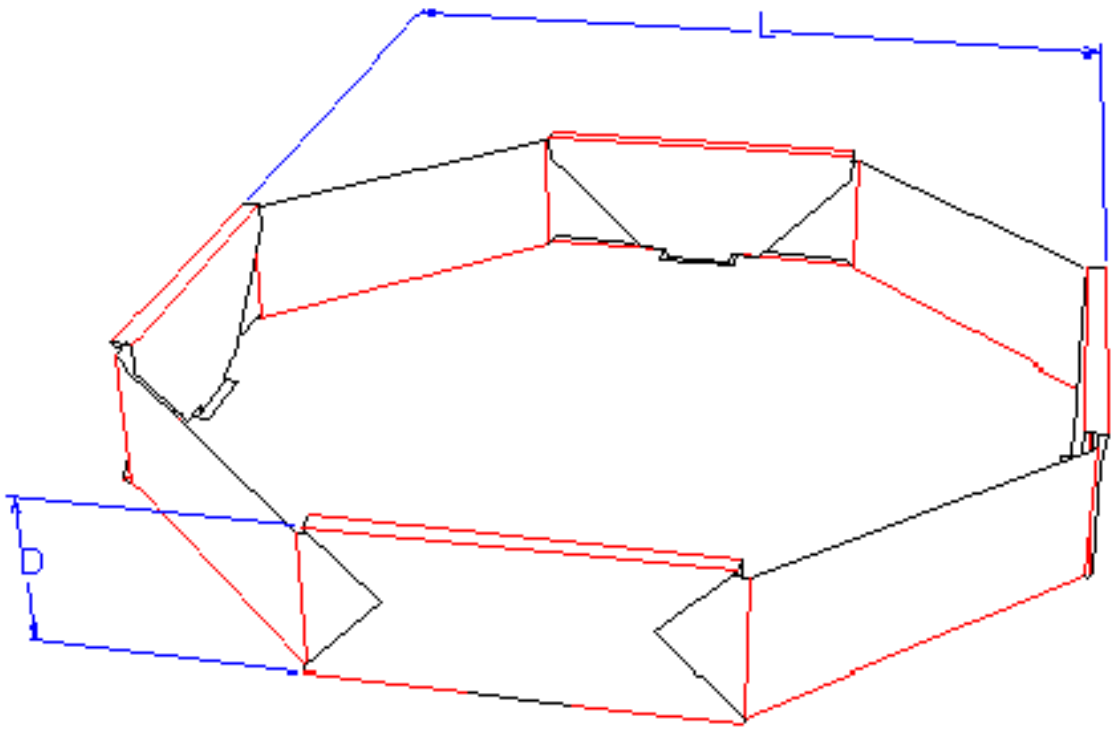


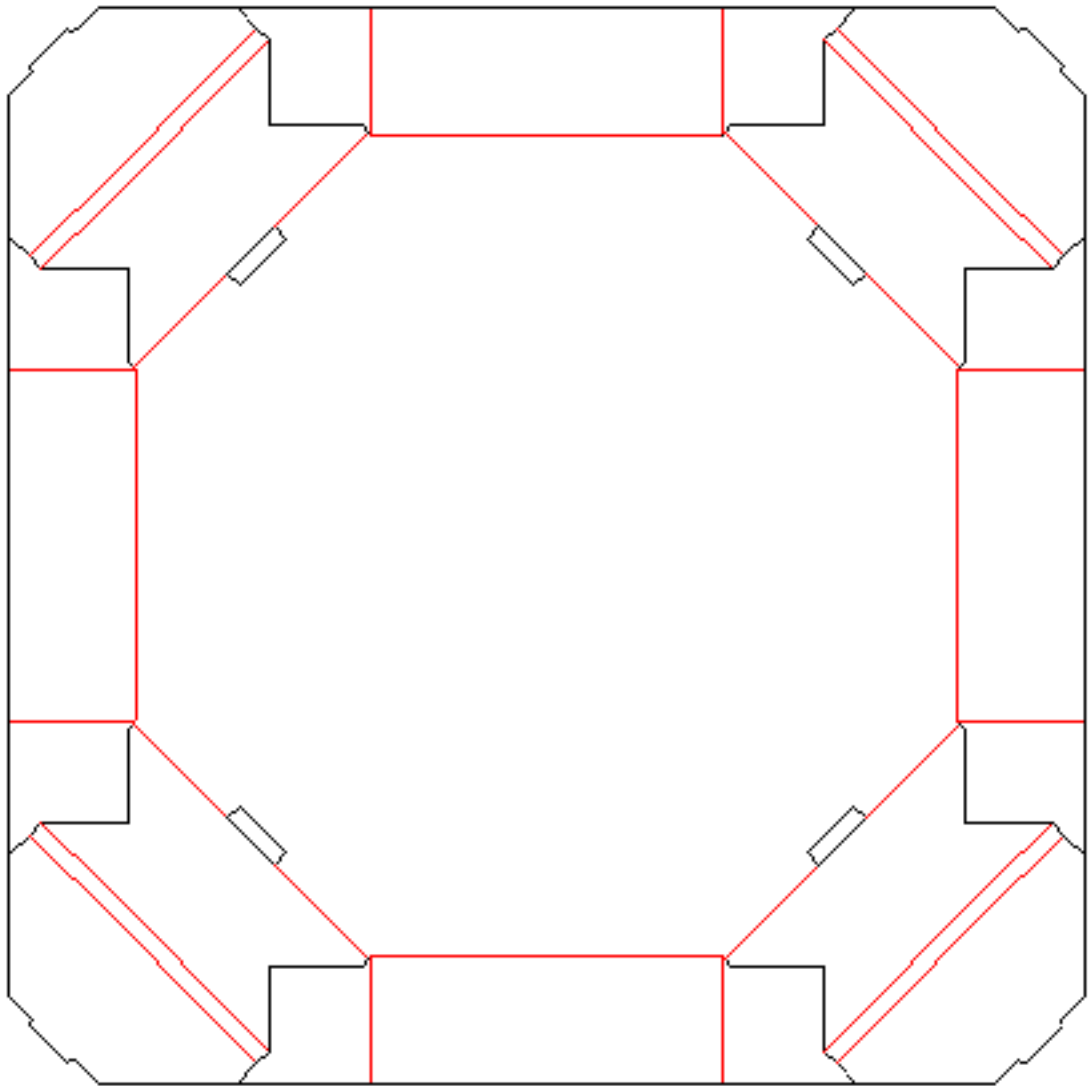
F0330



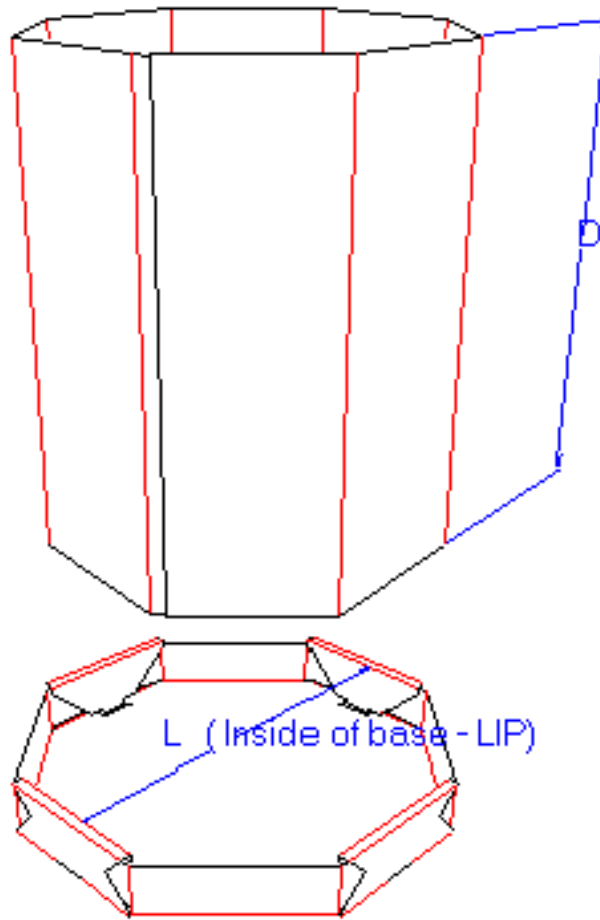


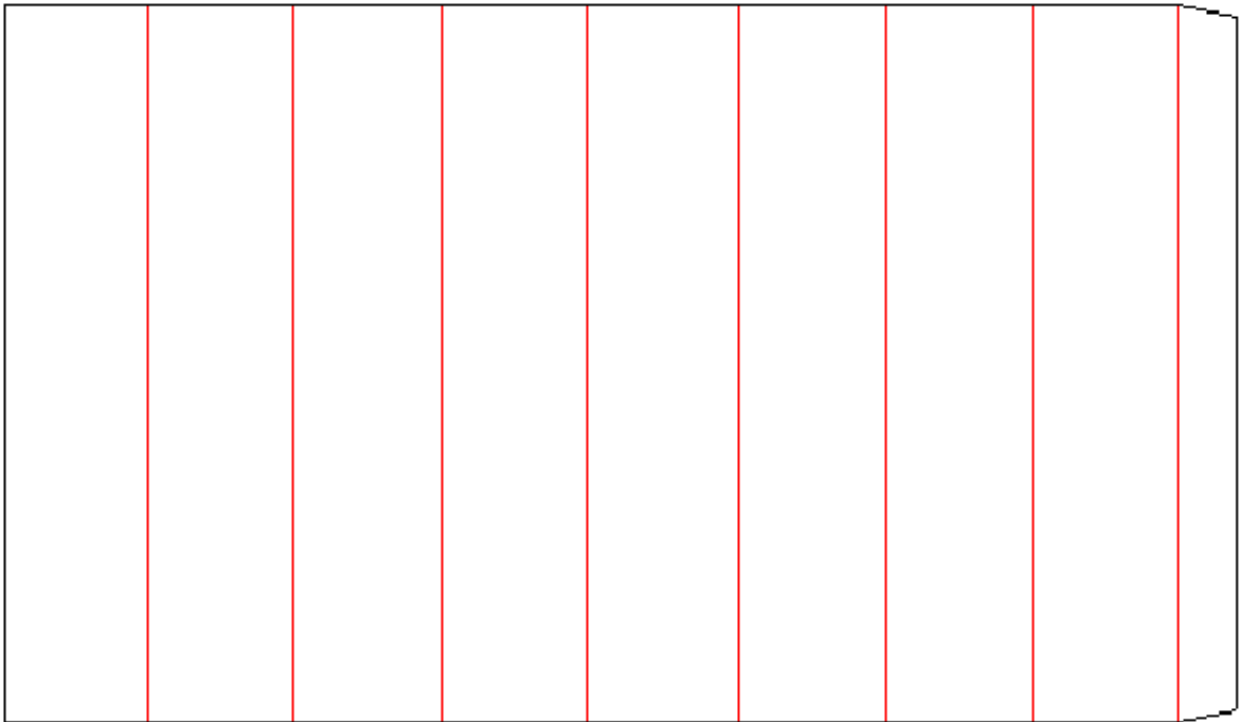
F0351a





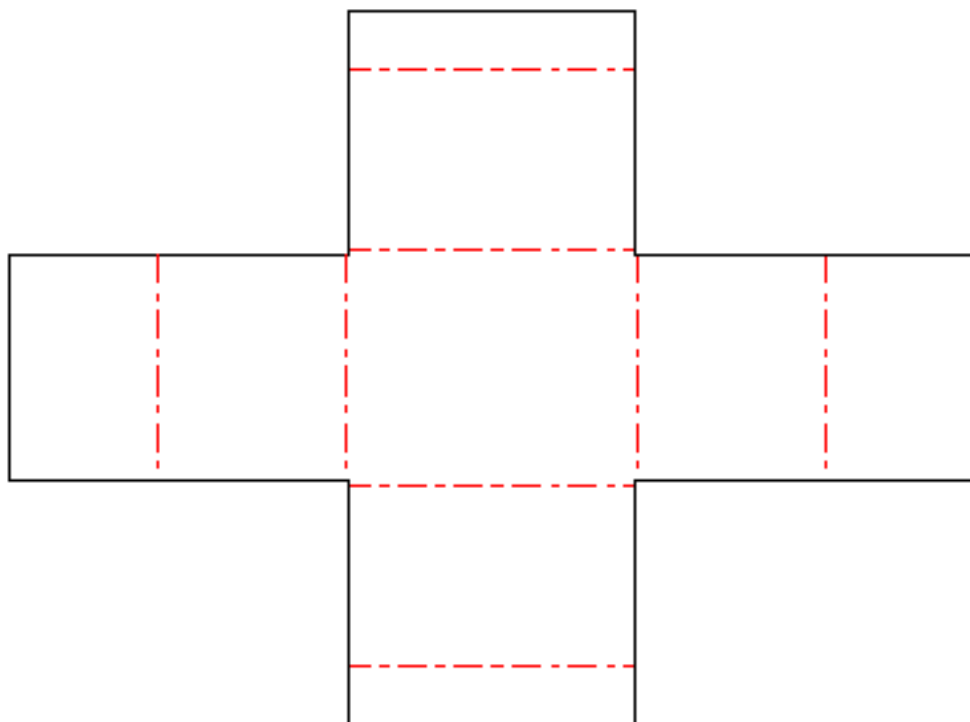
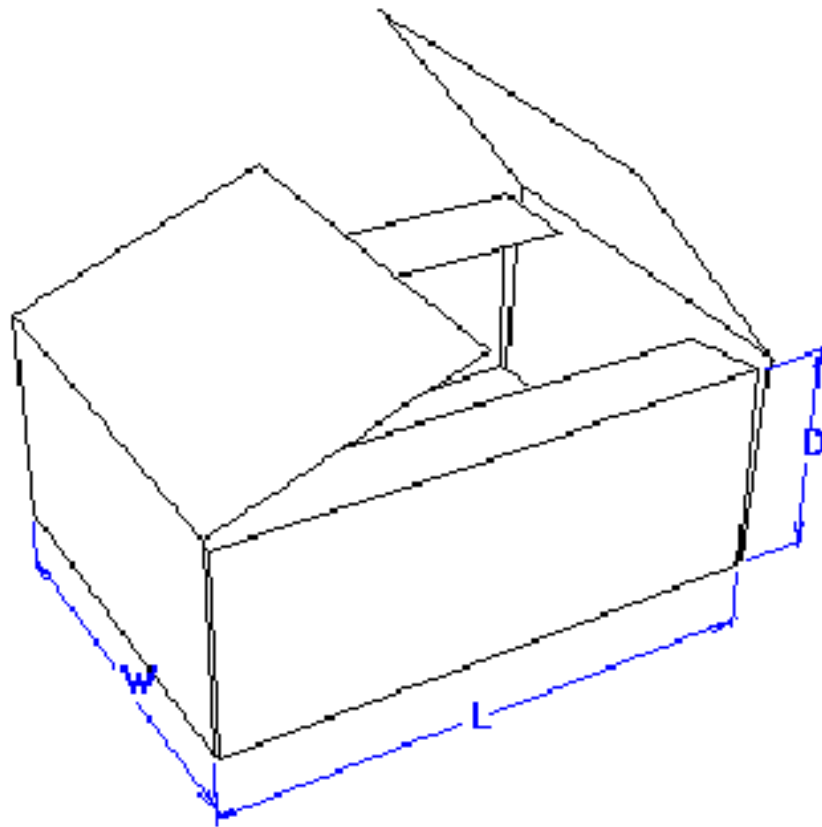
F0351b



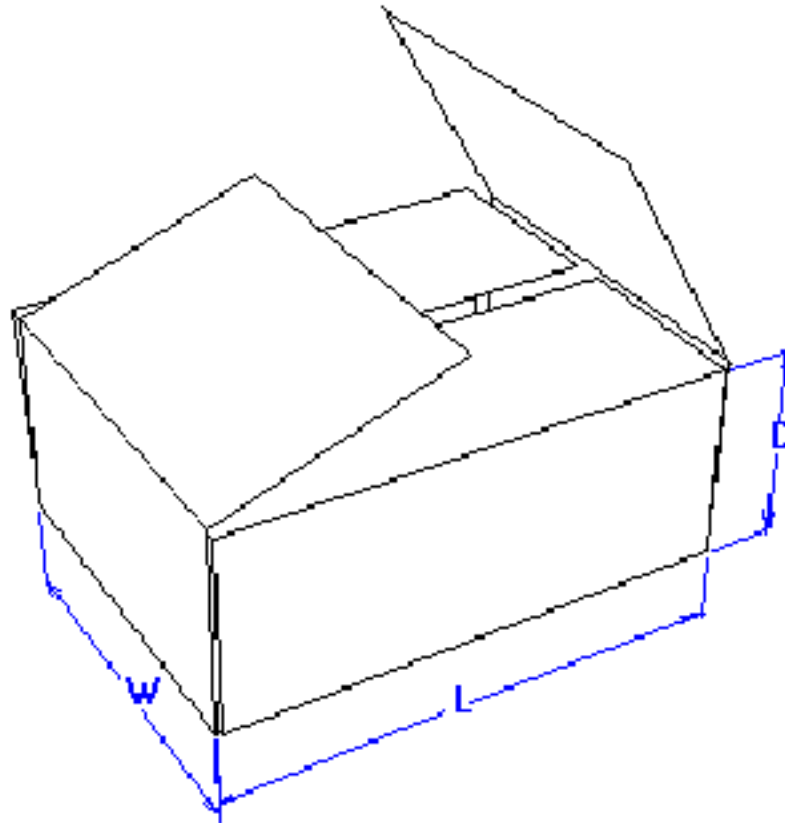


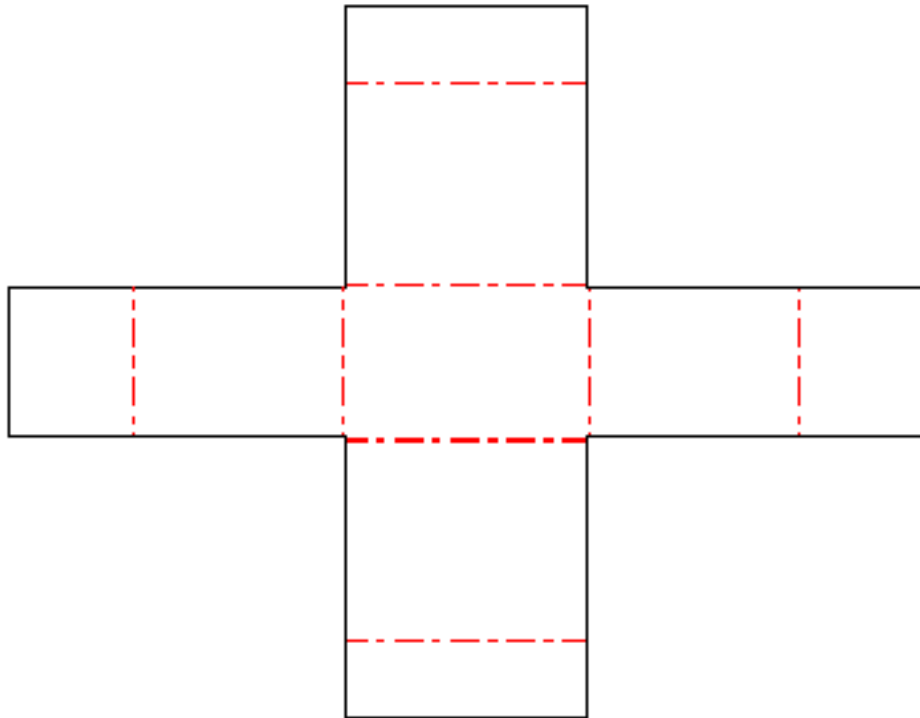
FEFCO Standards - 400 Series

F0401

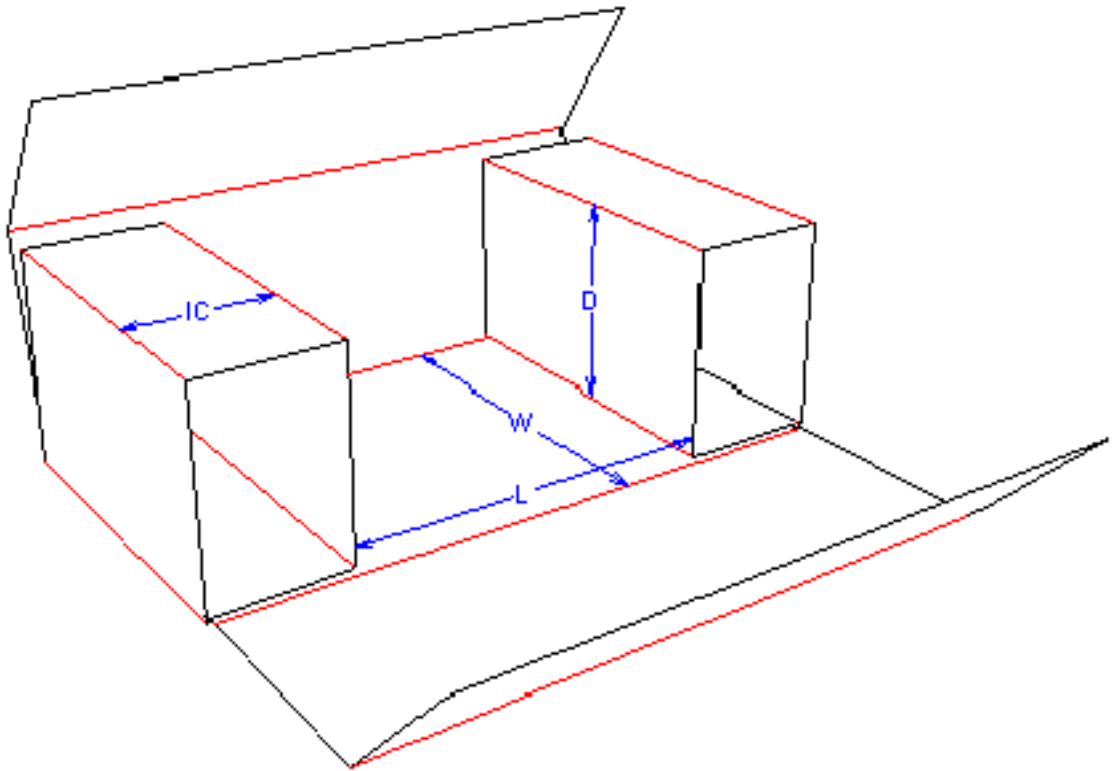


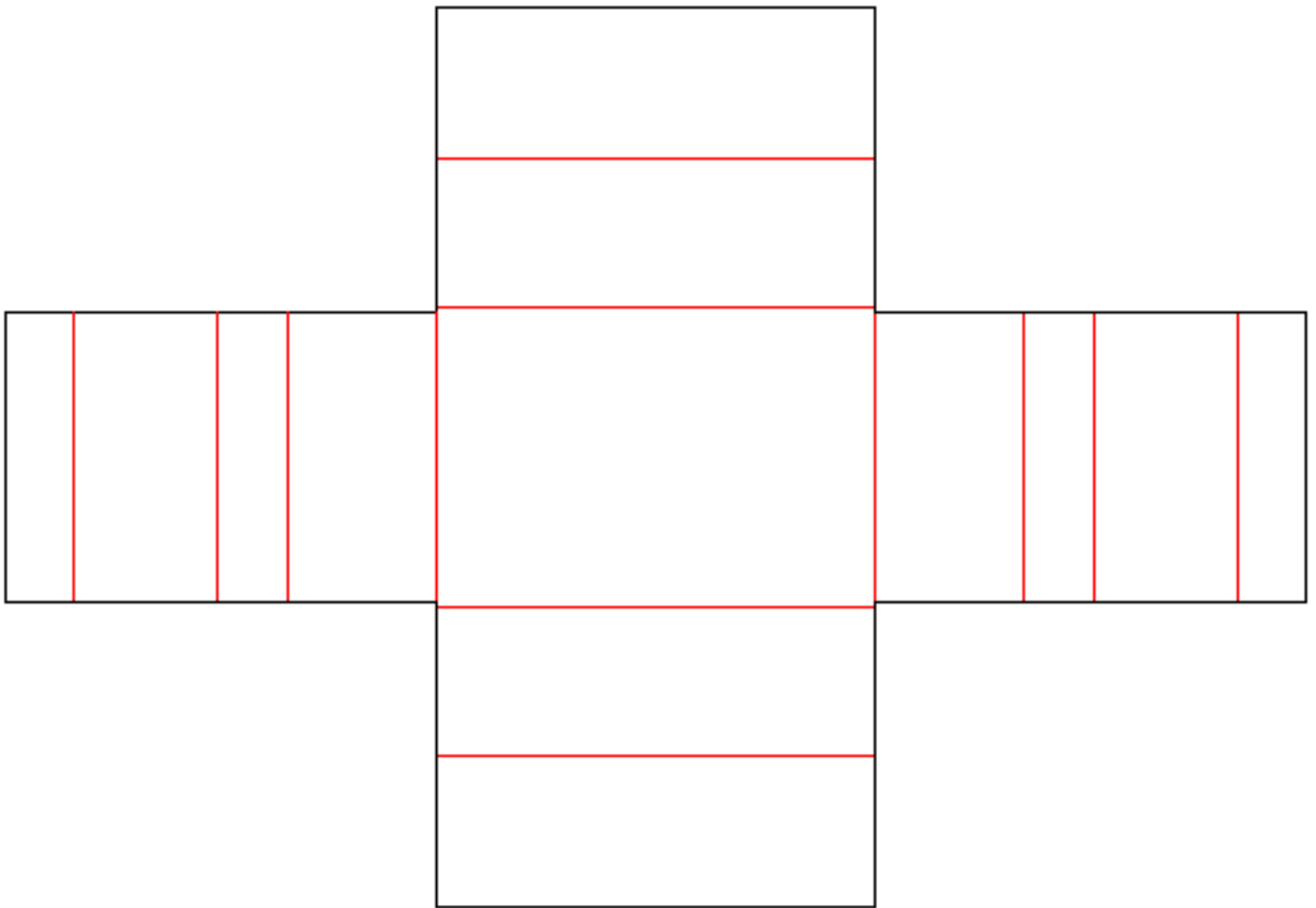
F0402



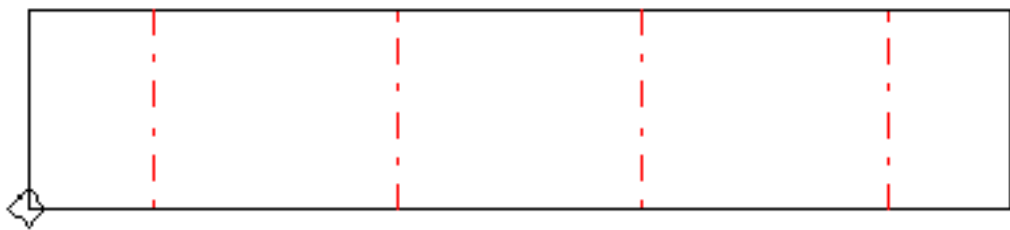
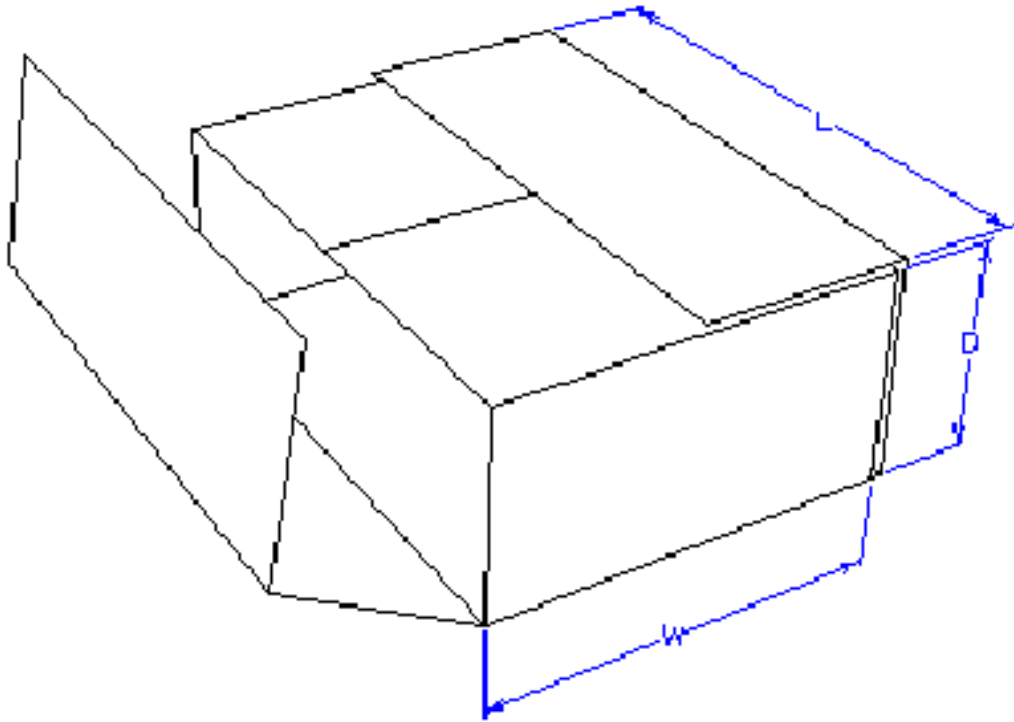


F0403

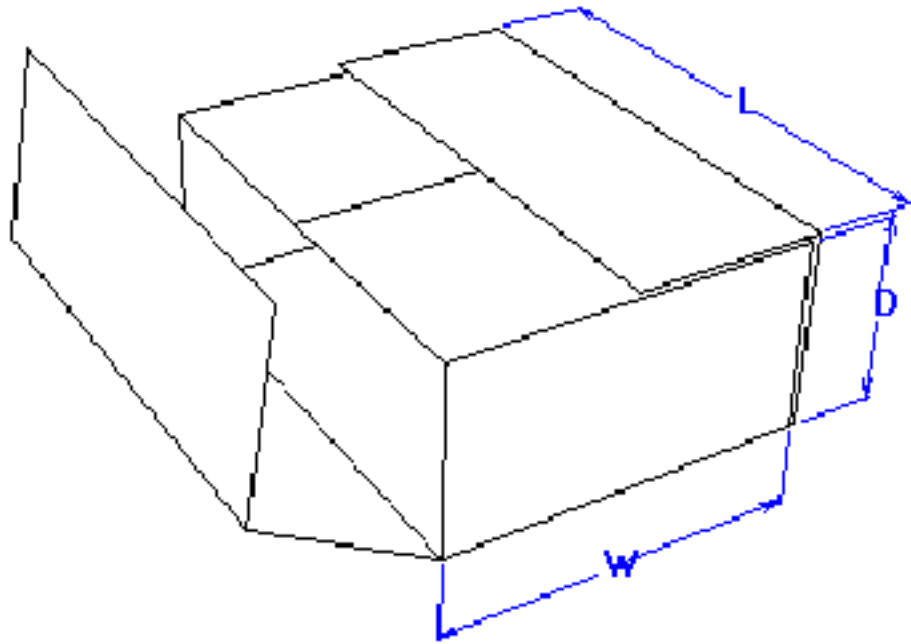


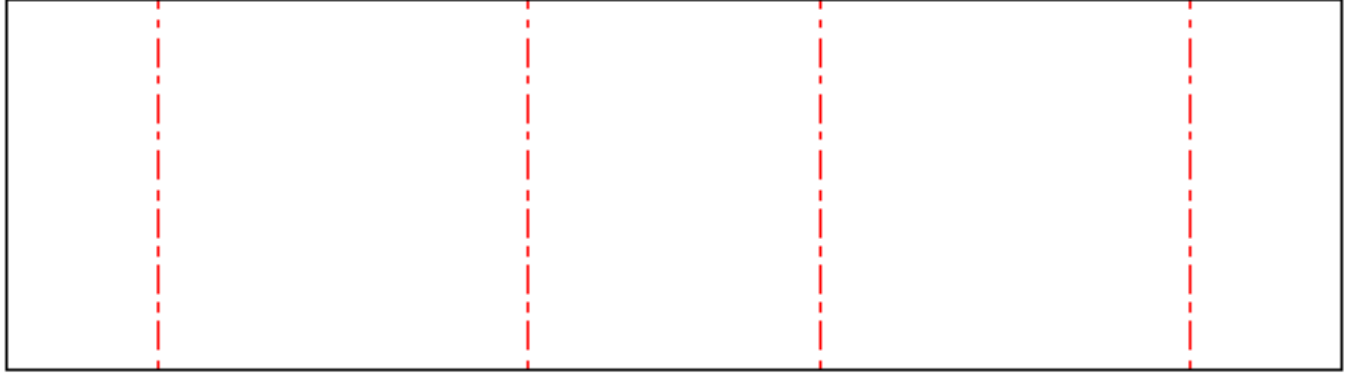


F0404 Body

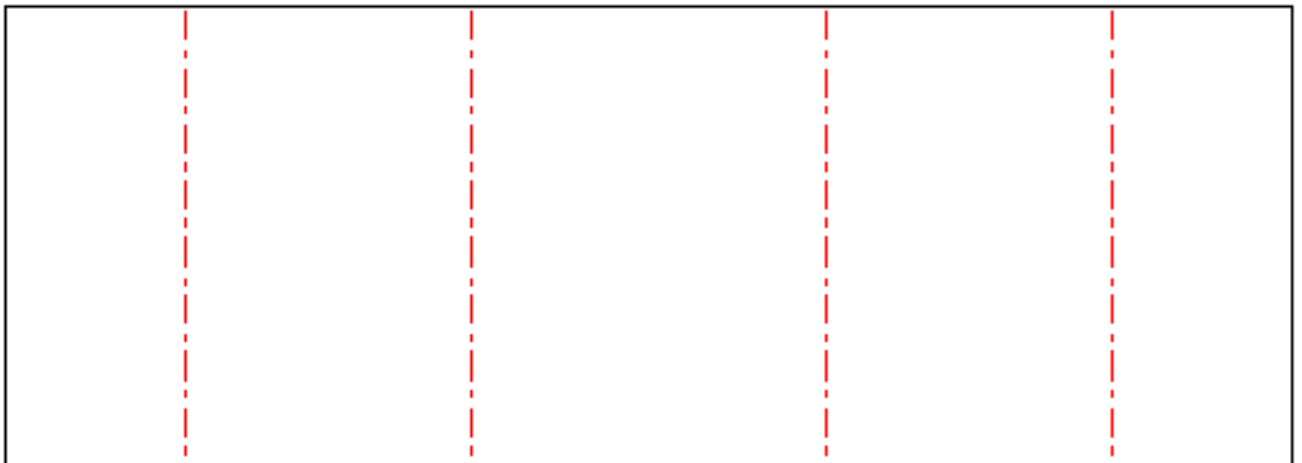
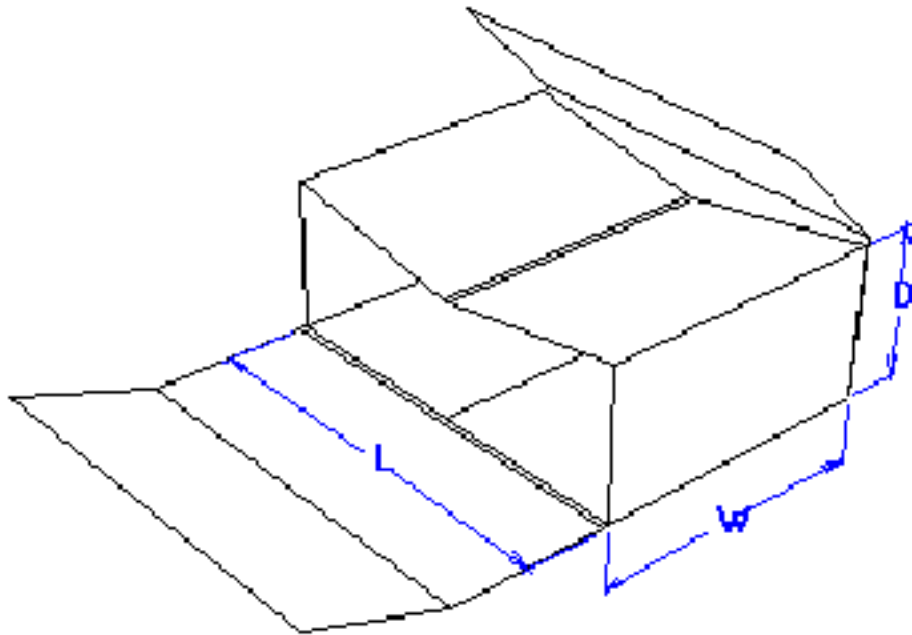


F0404 Caps

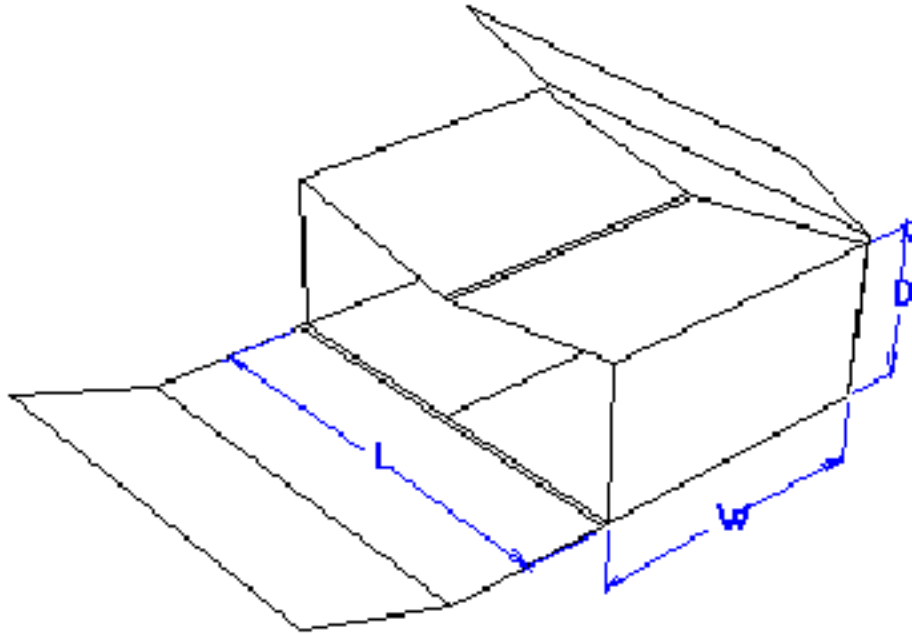




F0405 Body

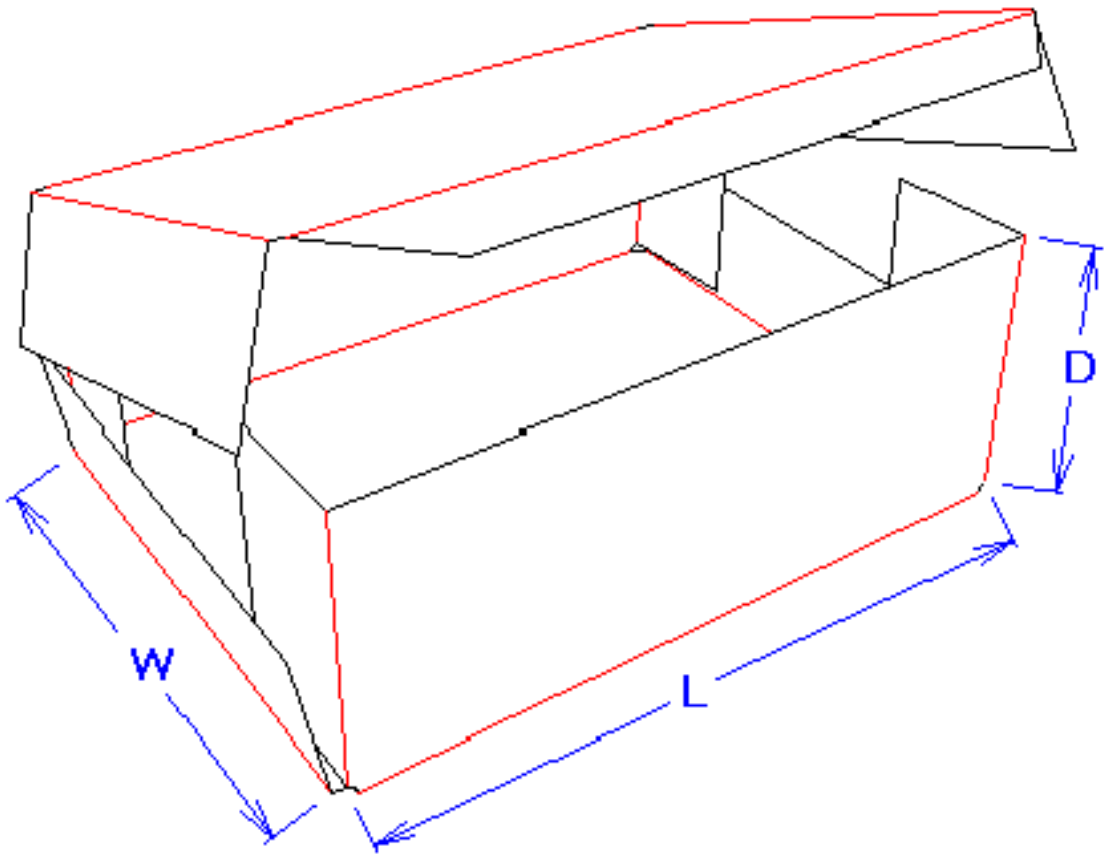


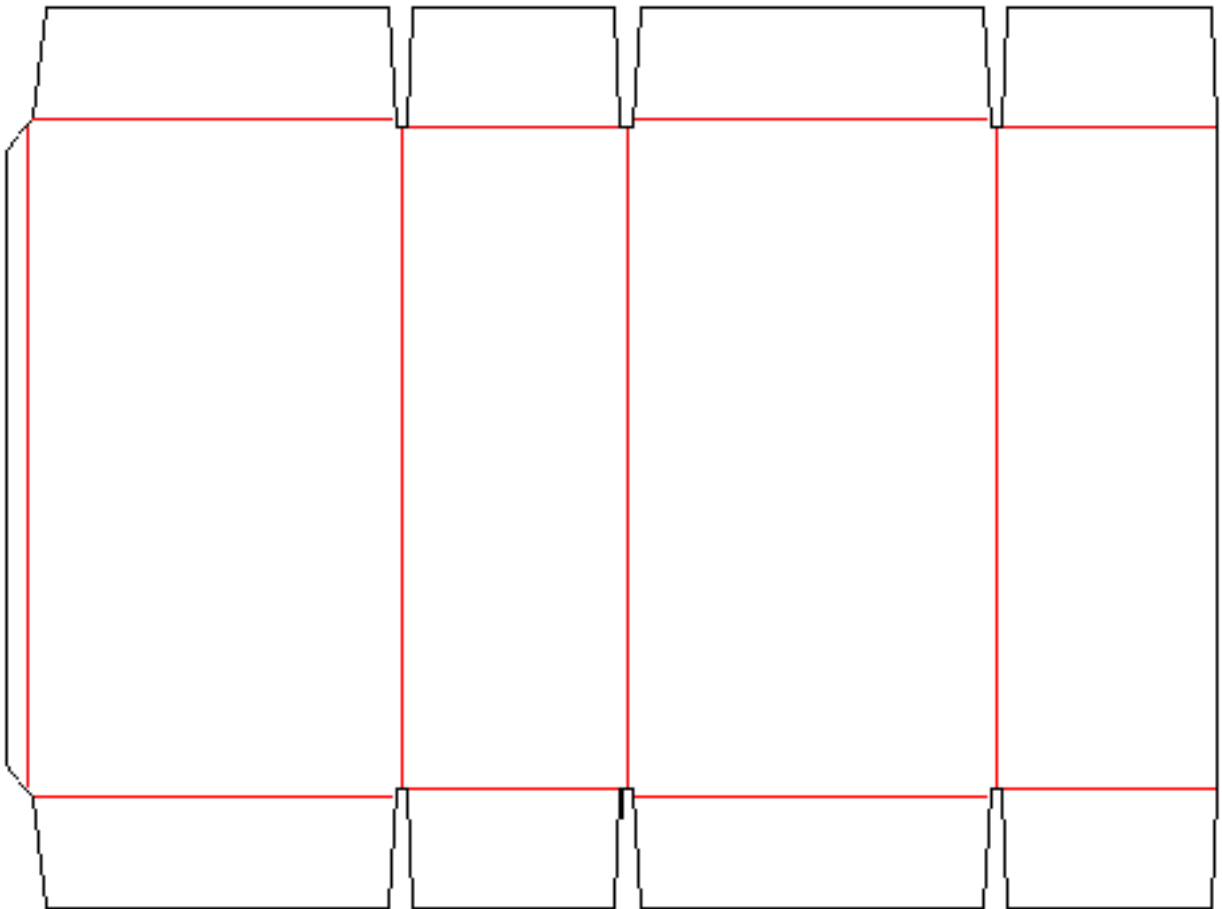
F0405 Caps



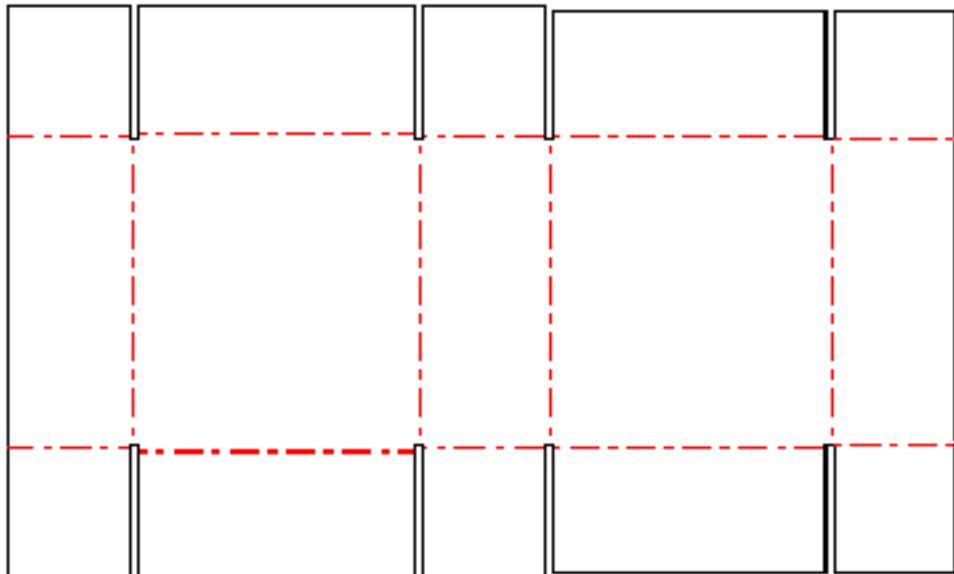
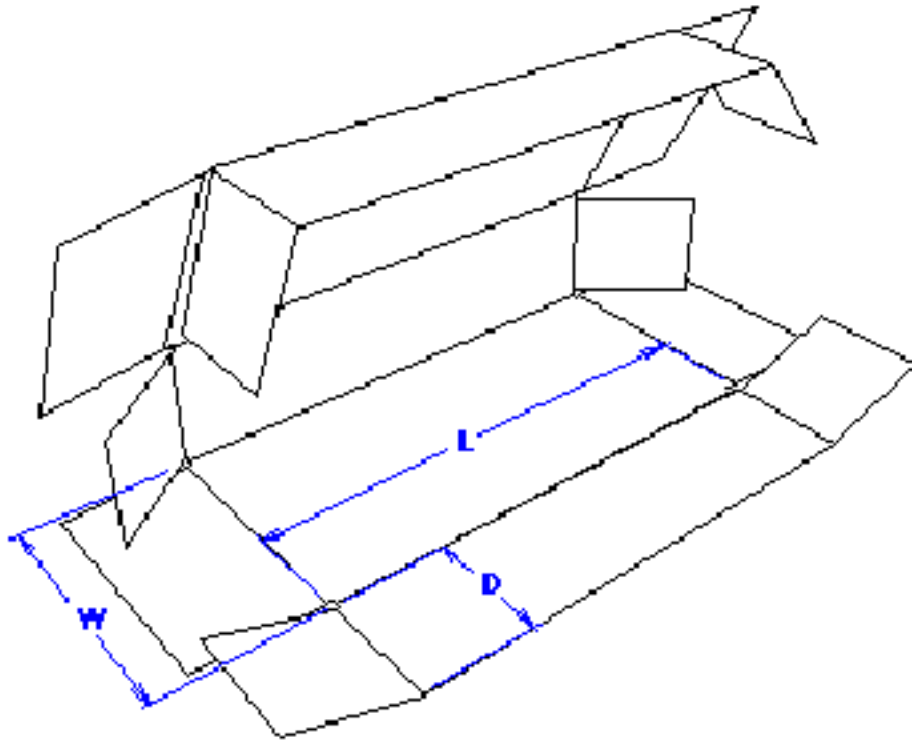


F0406

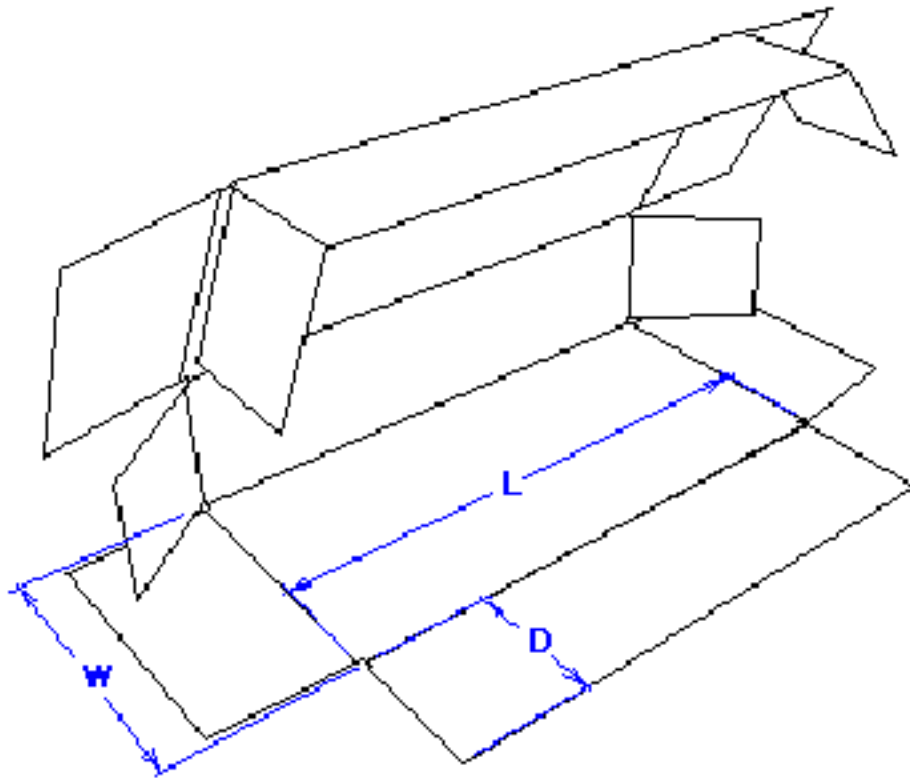


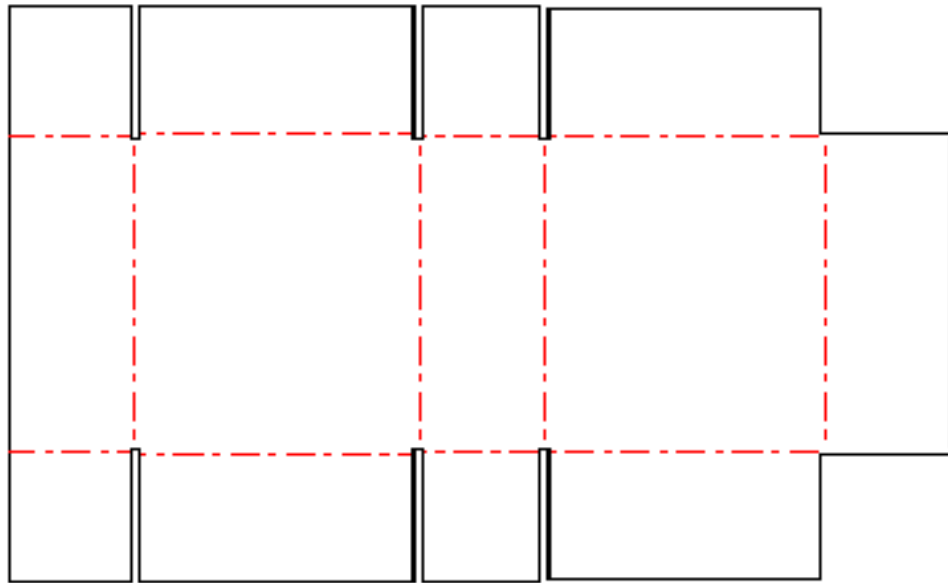


F0409

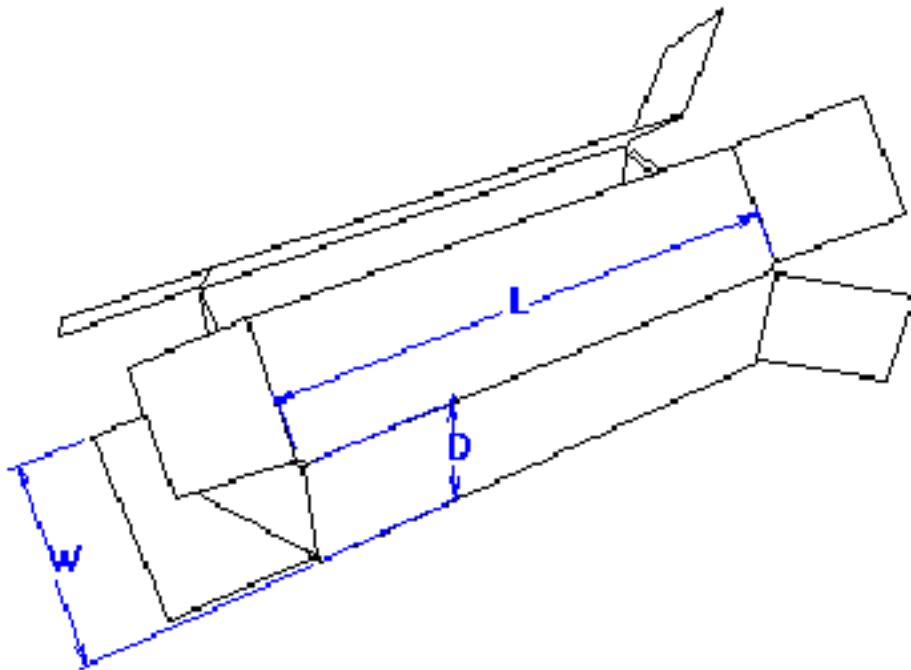


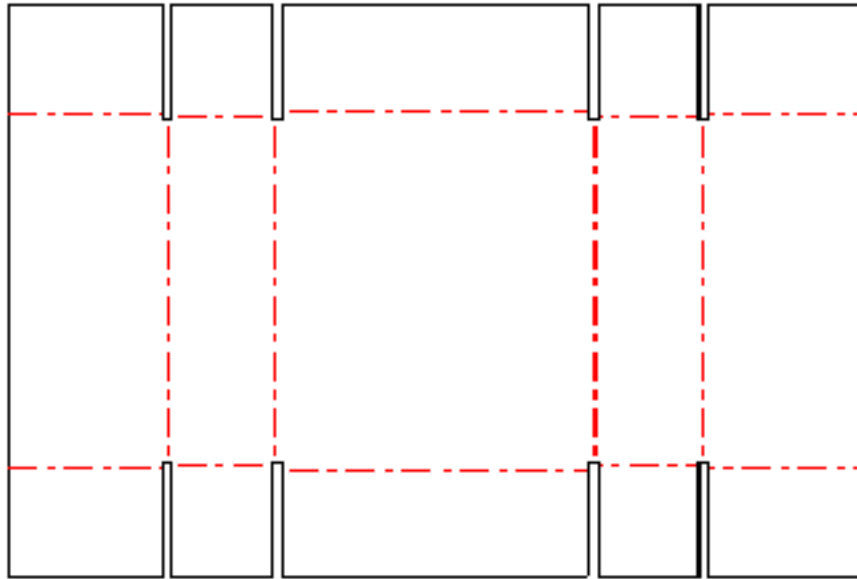
F0410



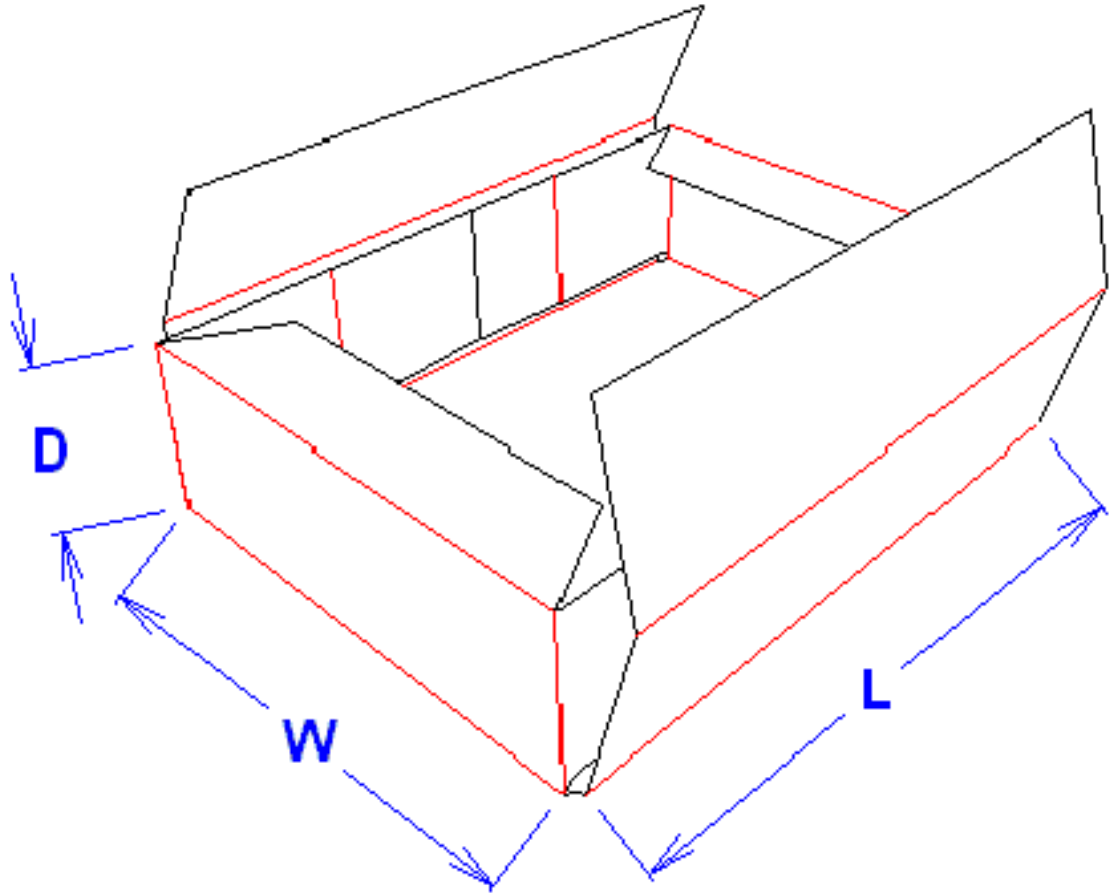


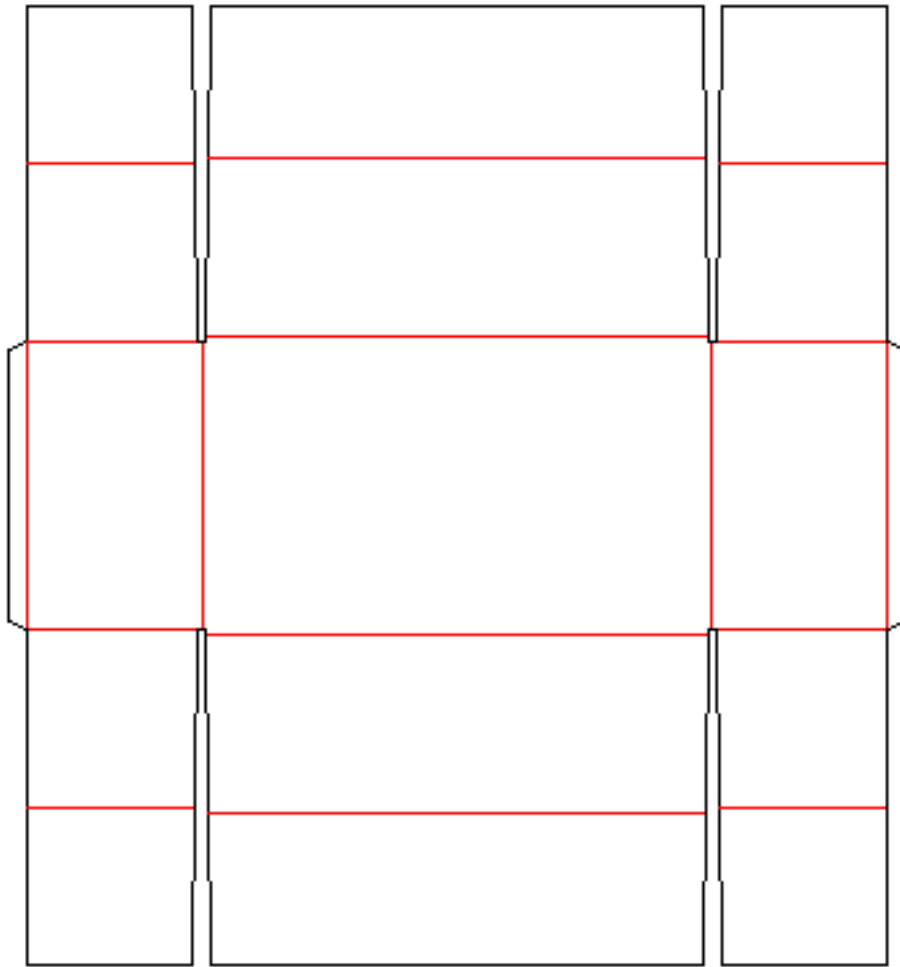
F0411



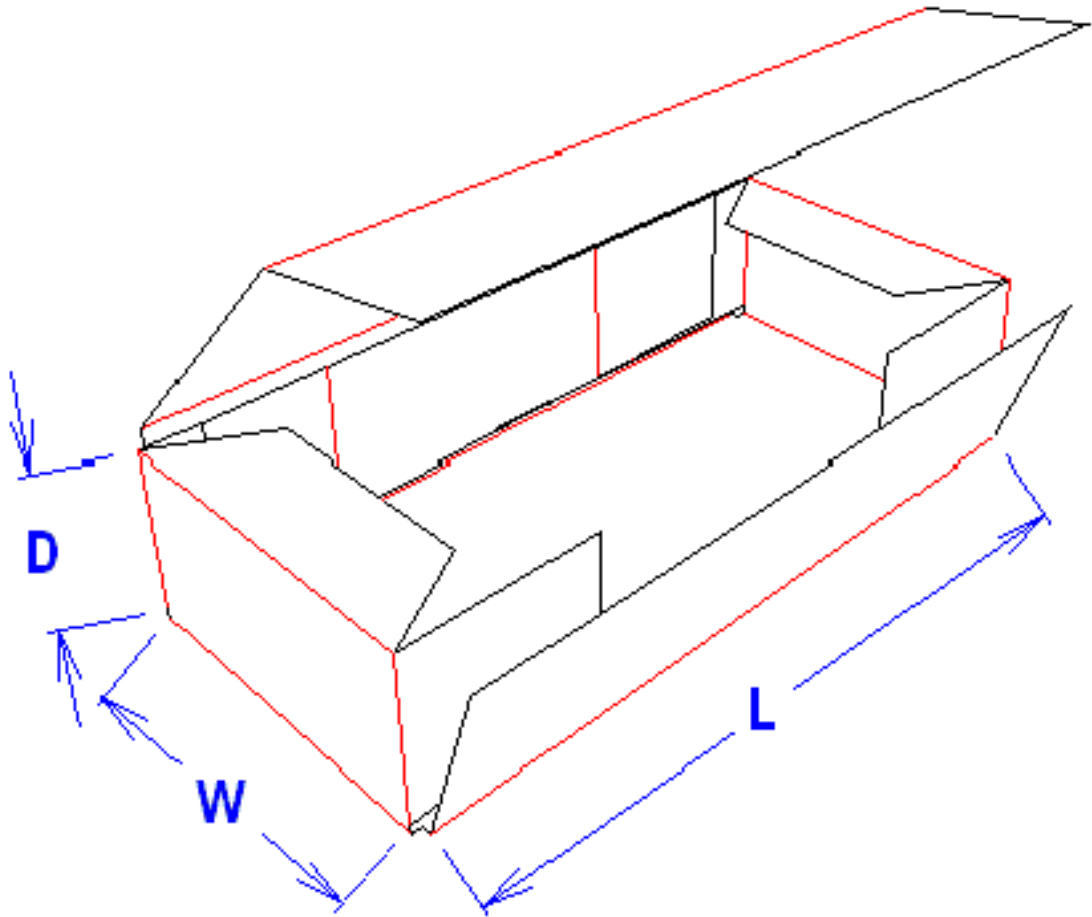


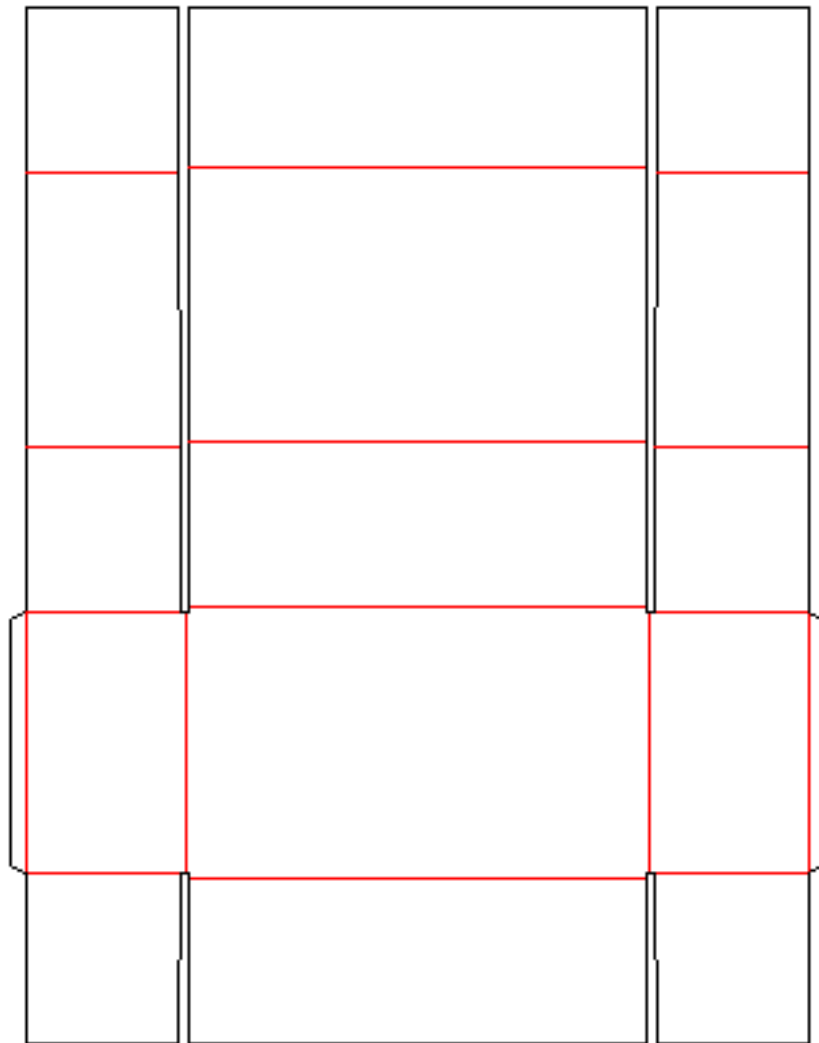
F0412



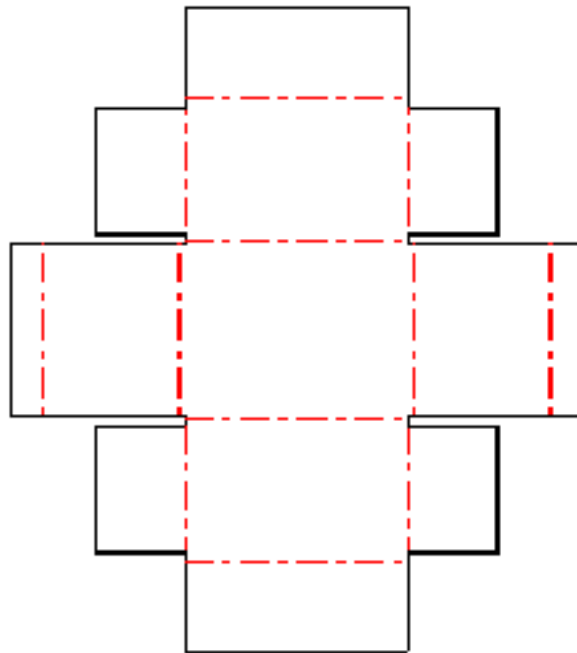
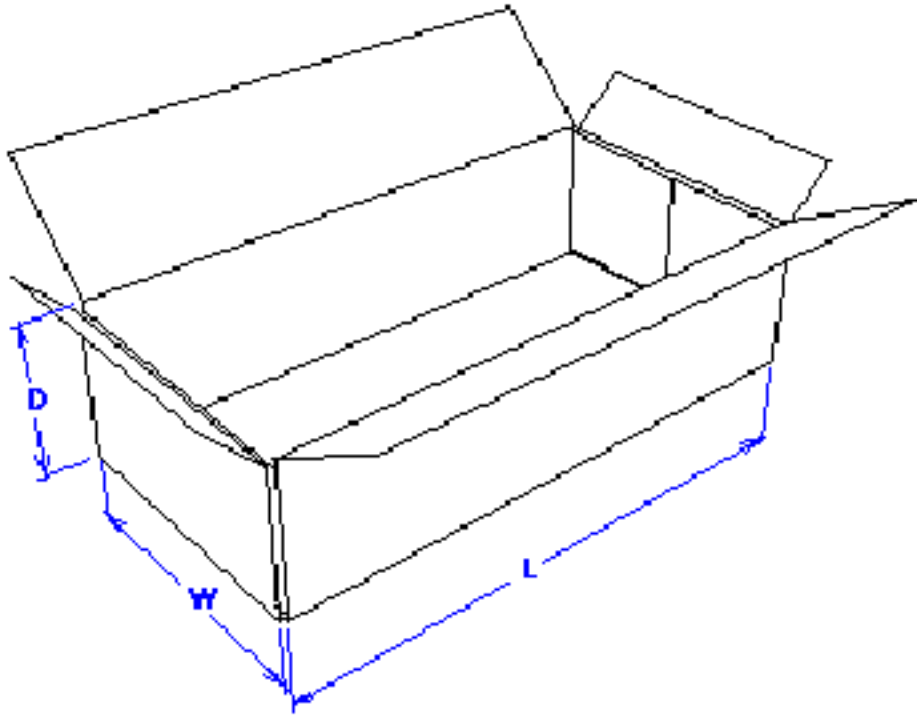


F0413

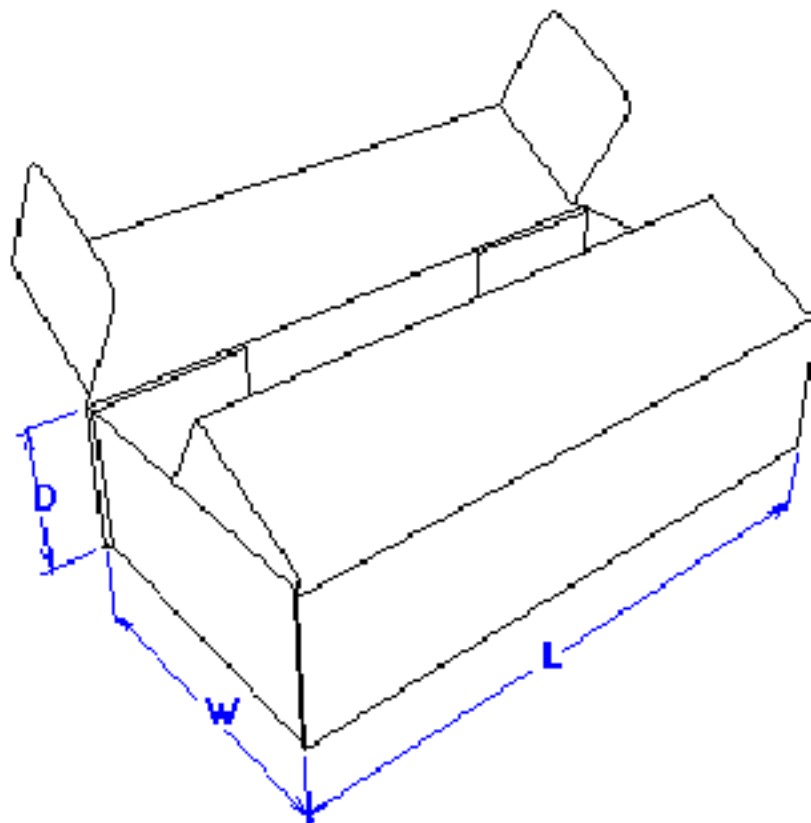


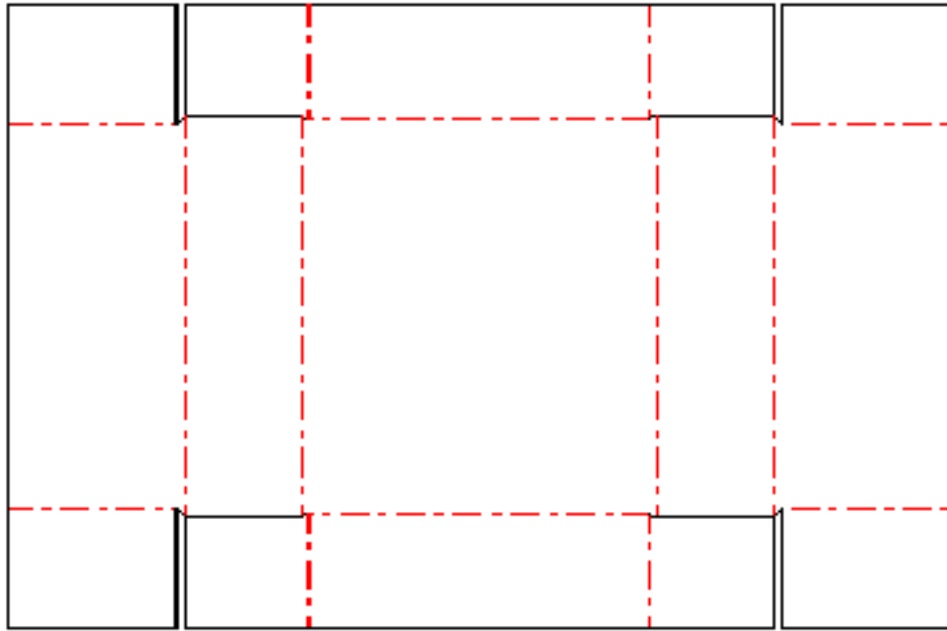


F0415

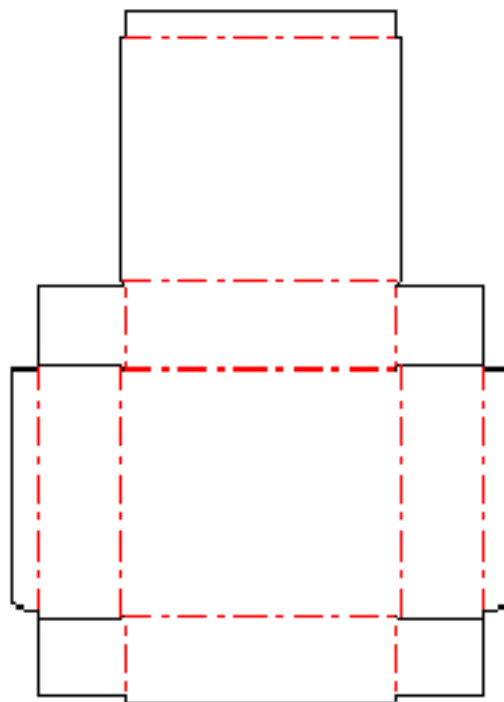
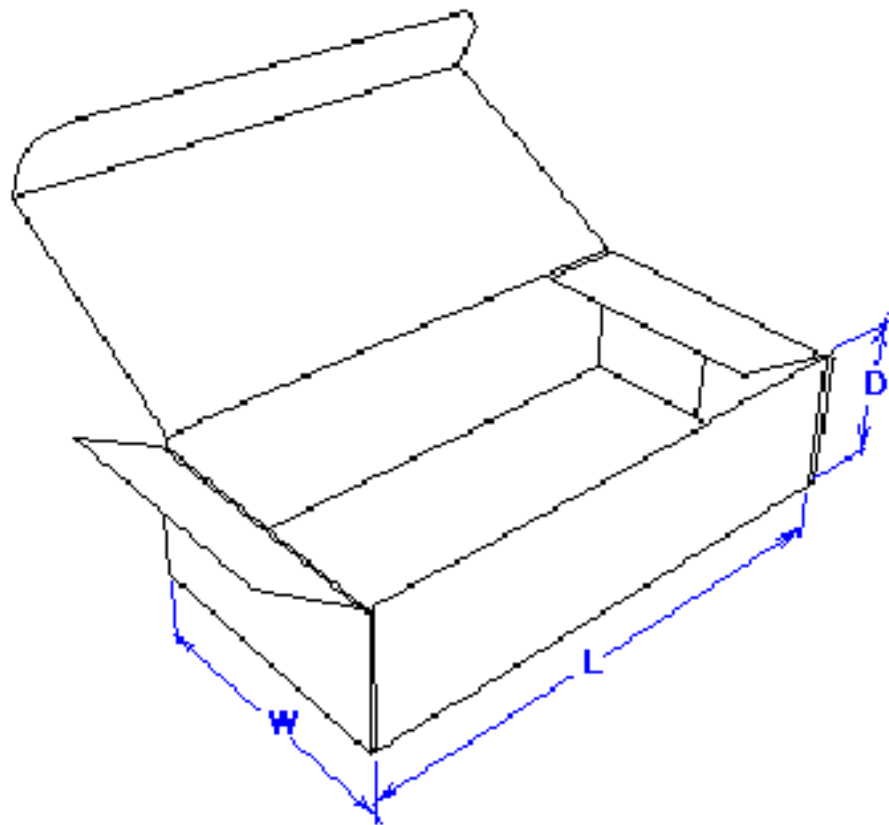


F0416

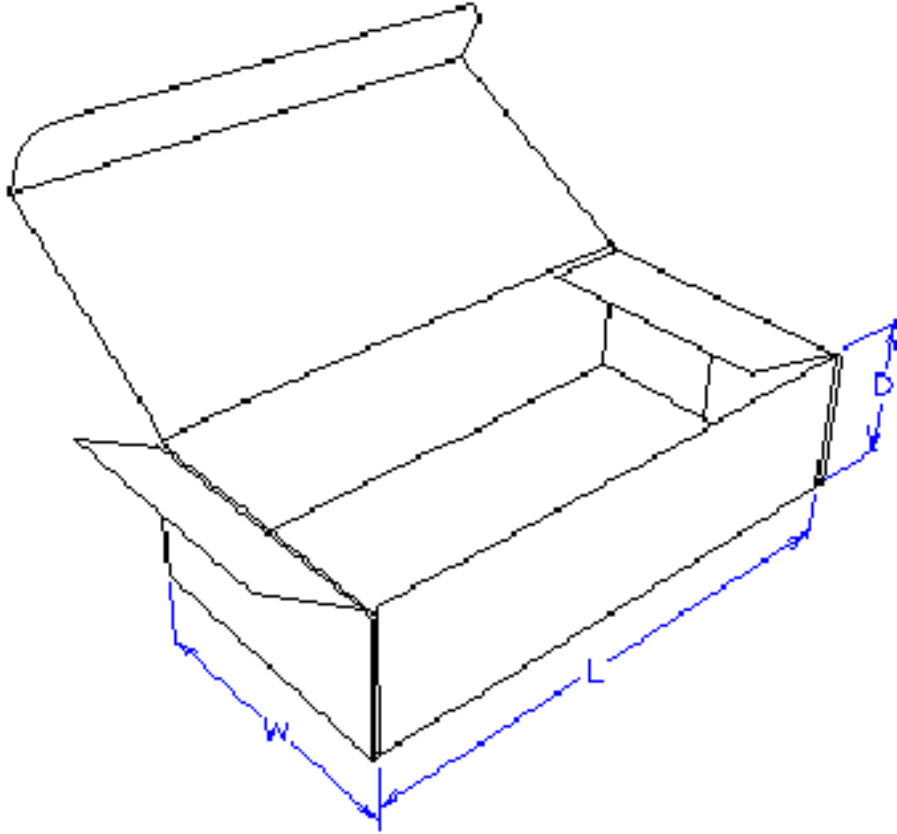


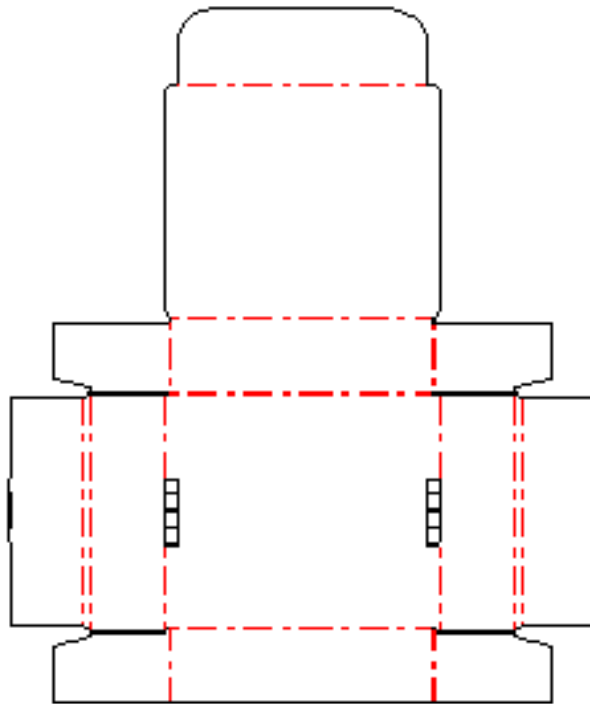


F0420

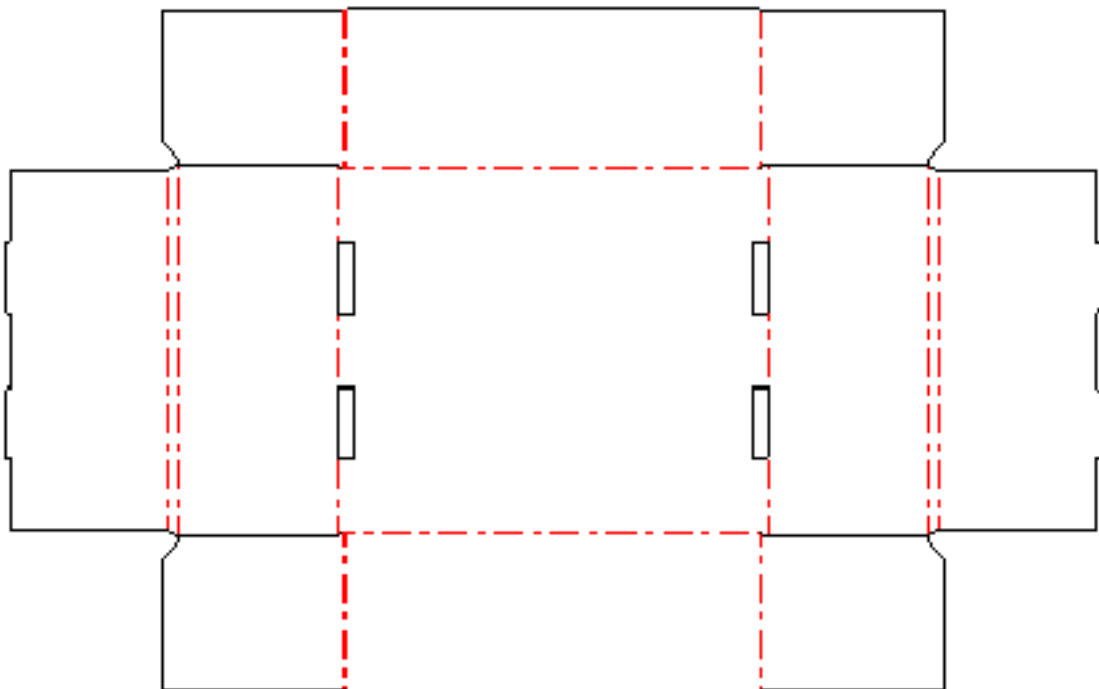
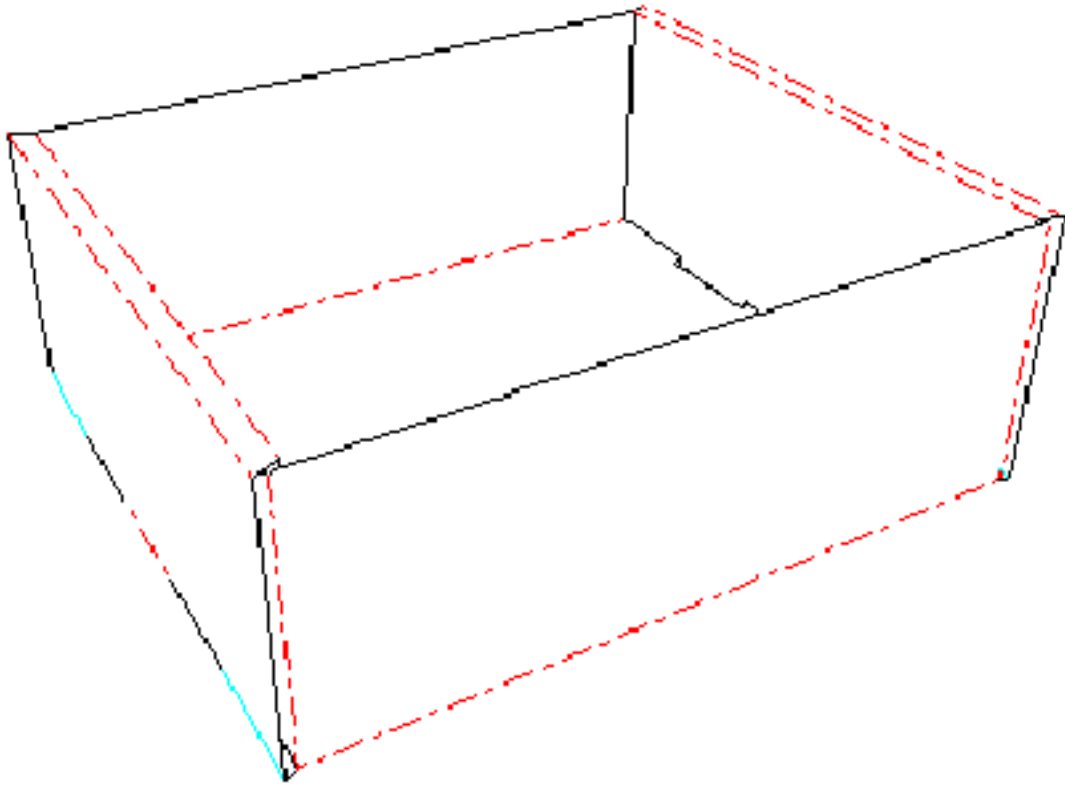


F0421

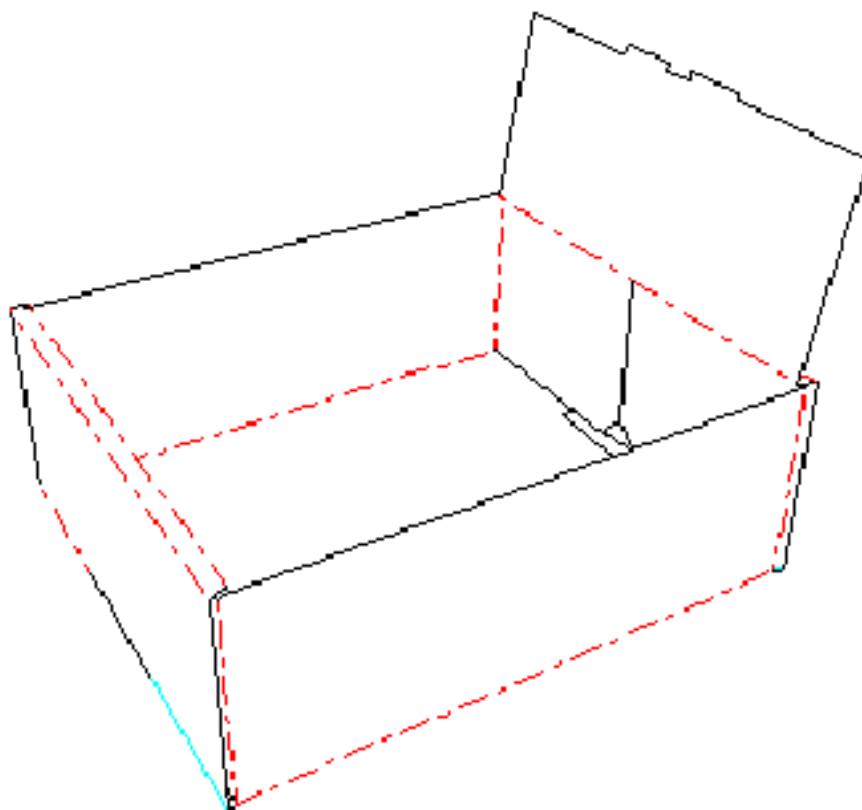


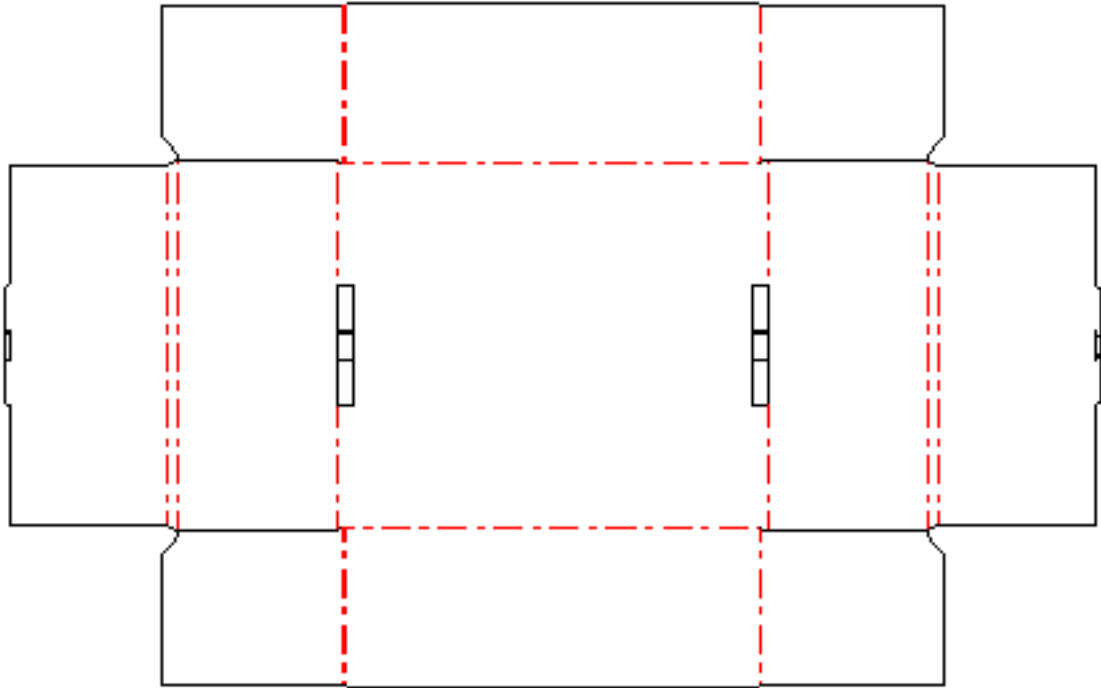


F0422

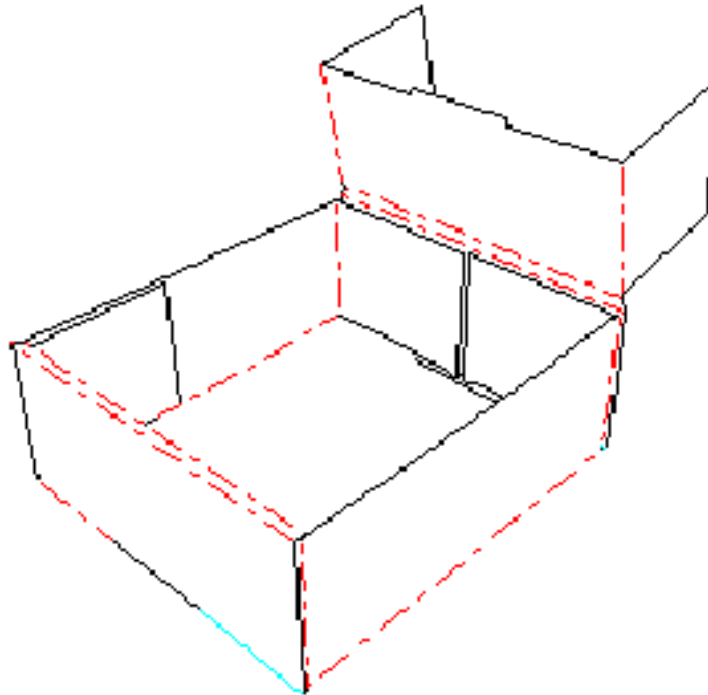


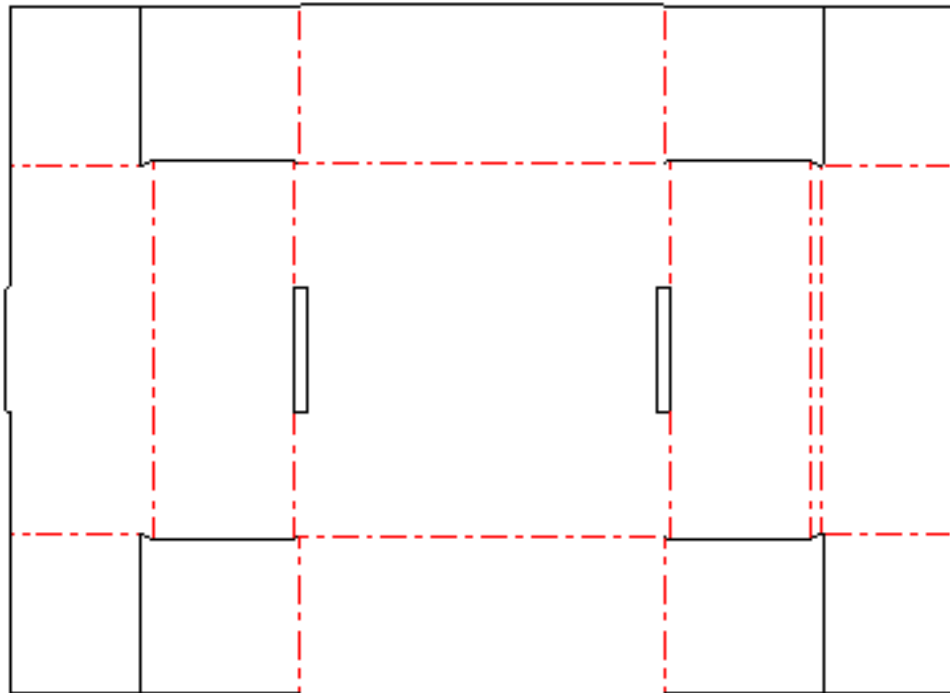
F0423



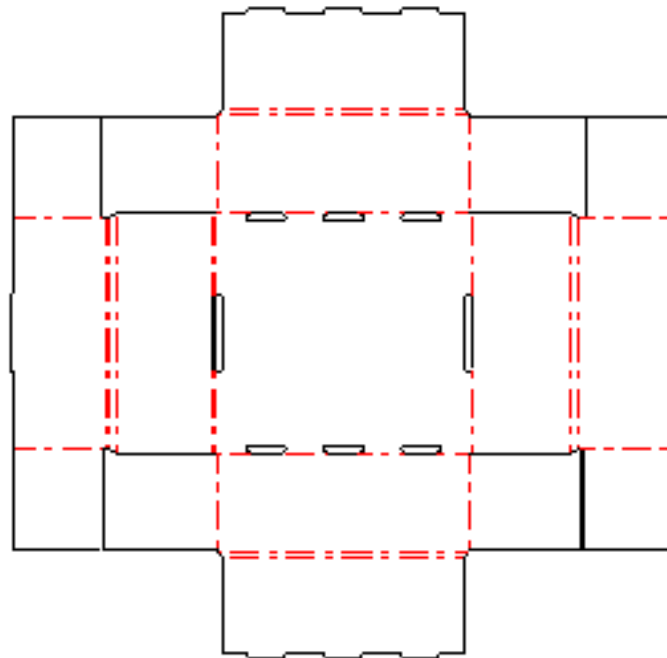
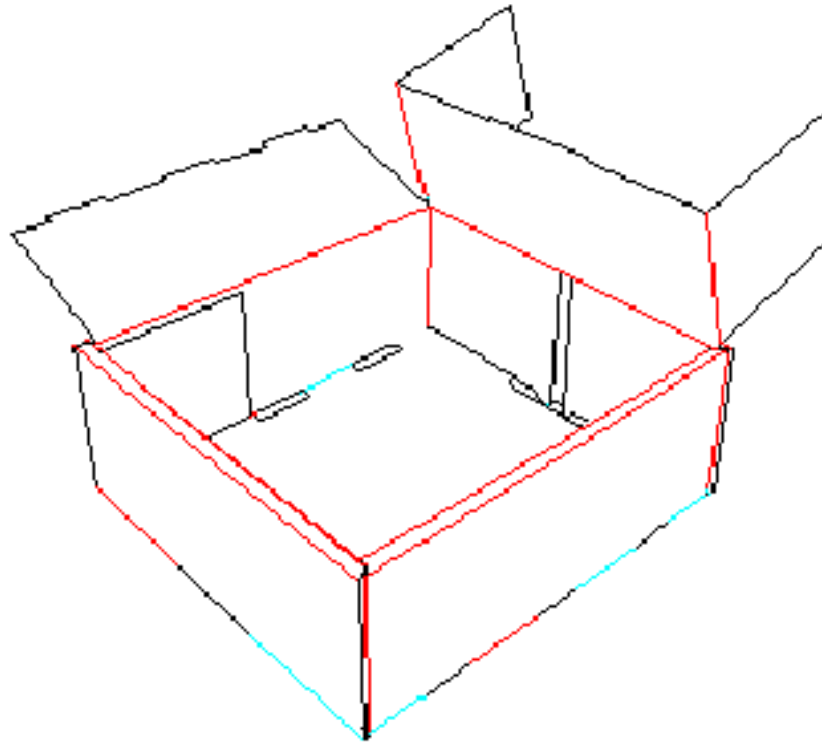


F0424

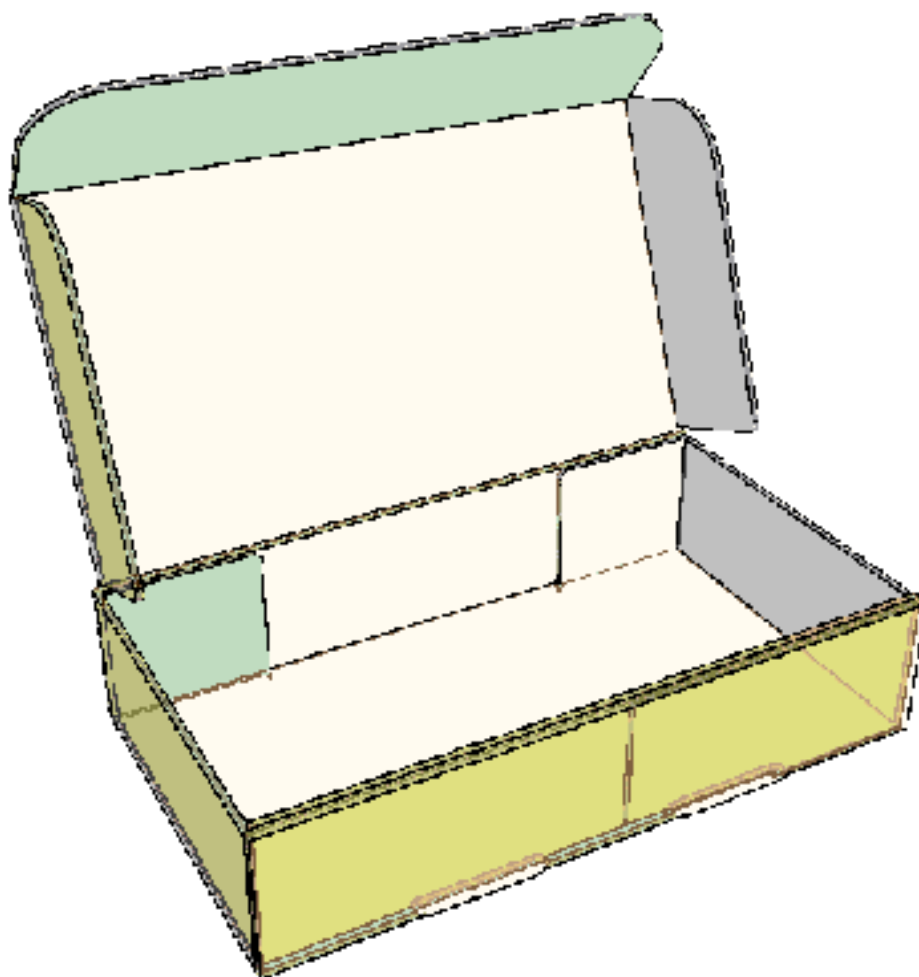


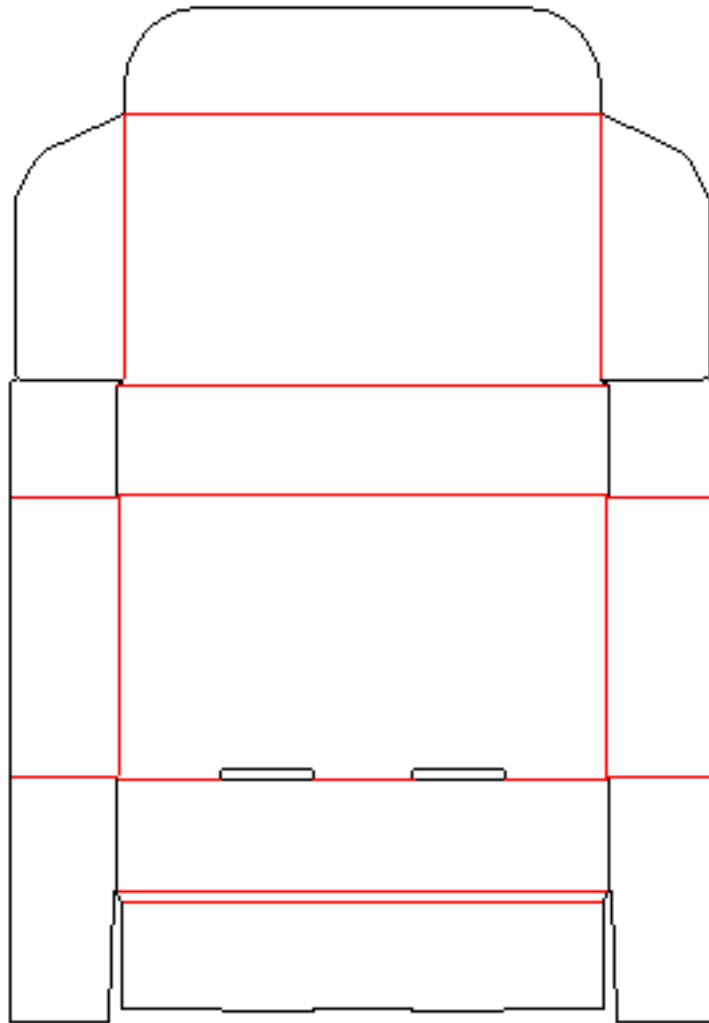


F0425

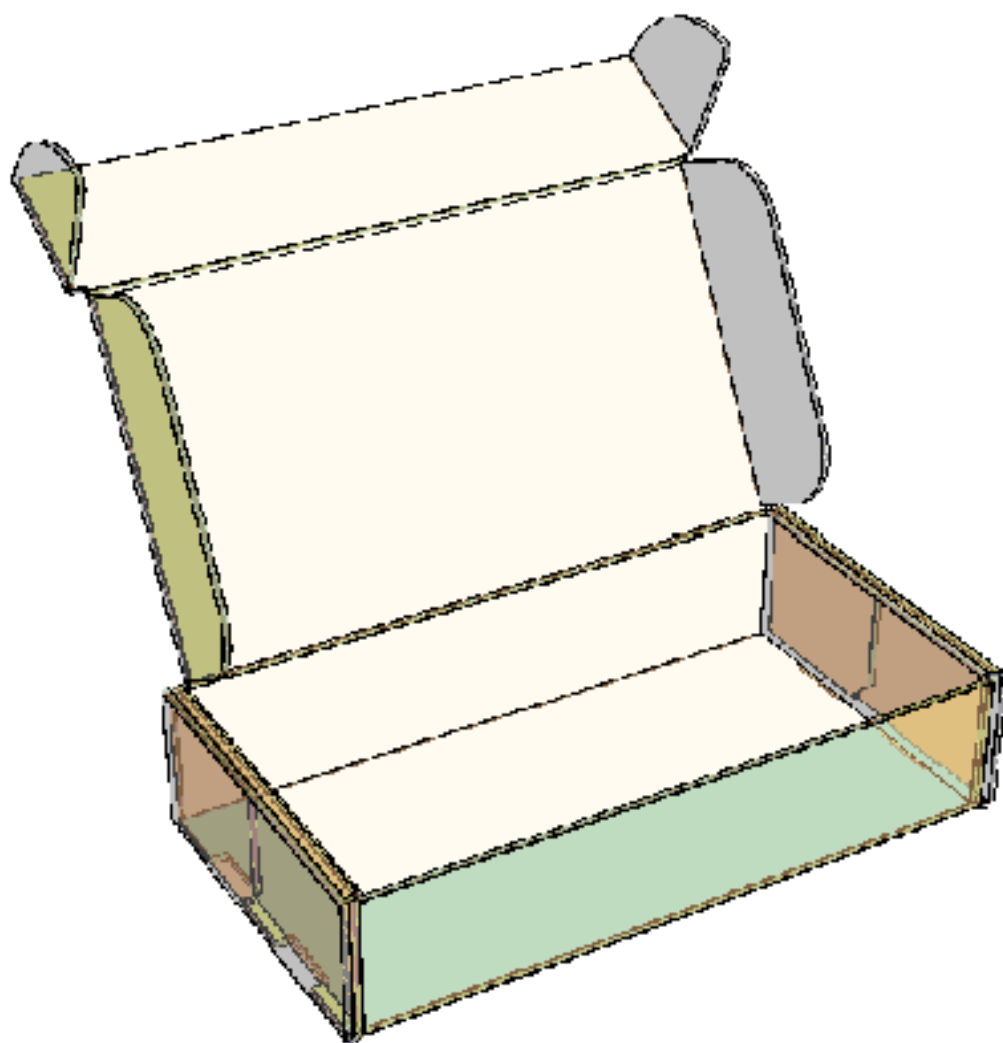


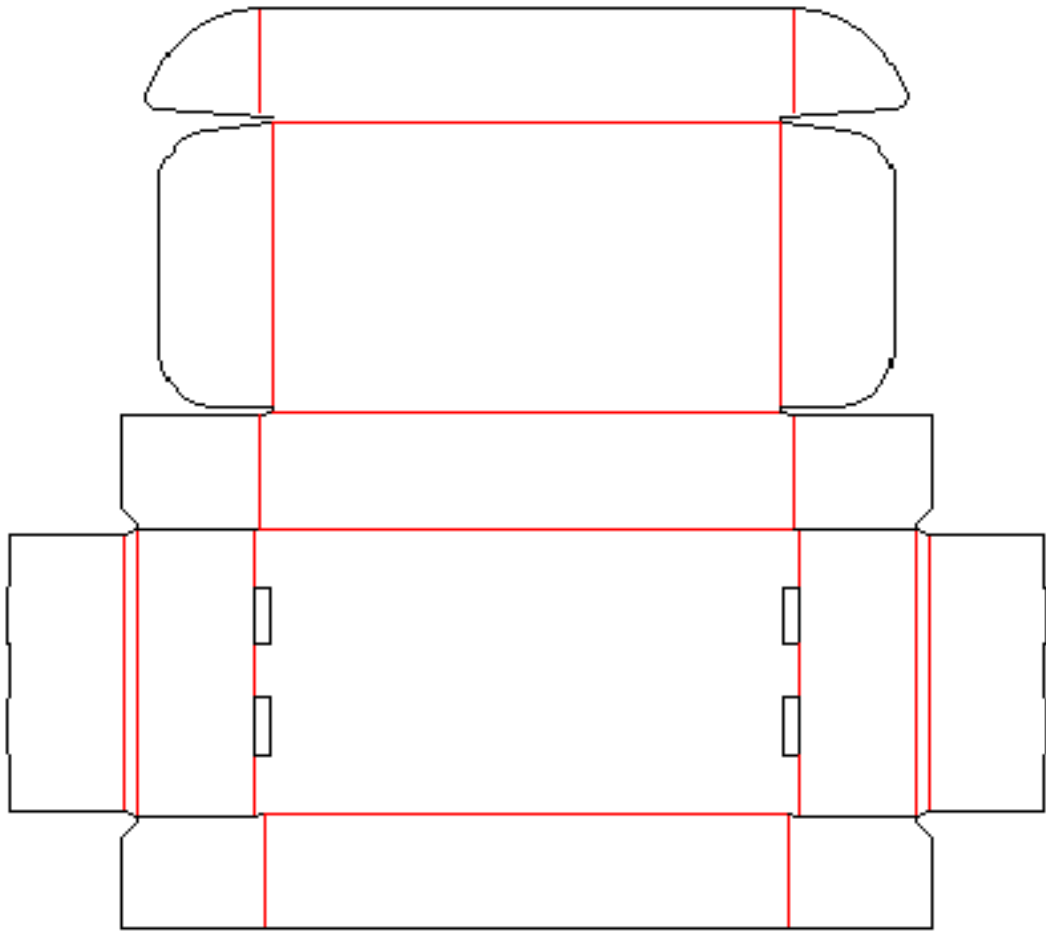
F0426



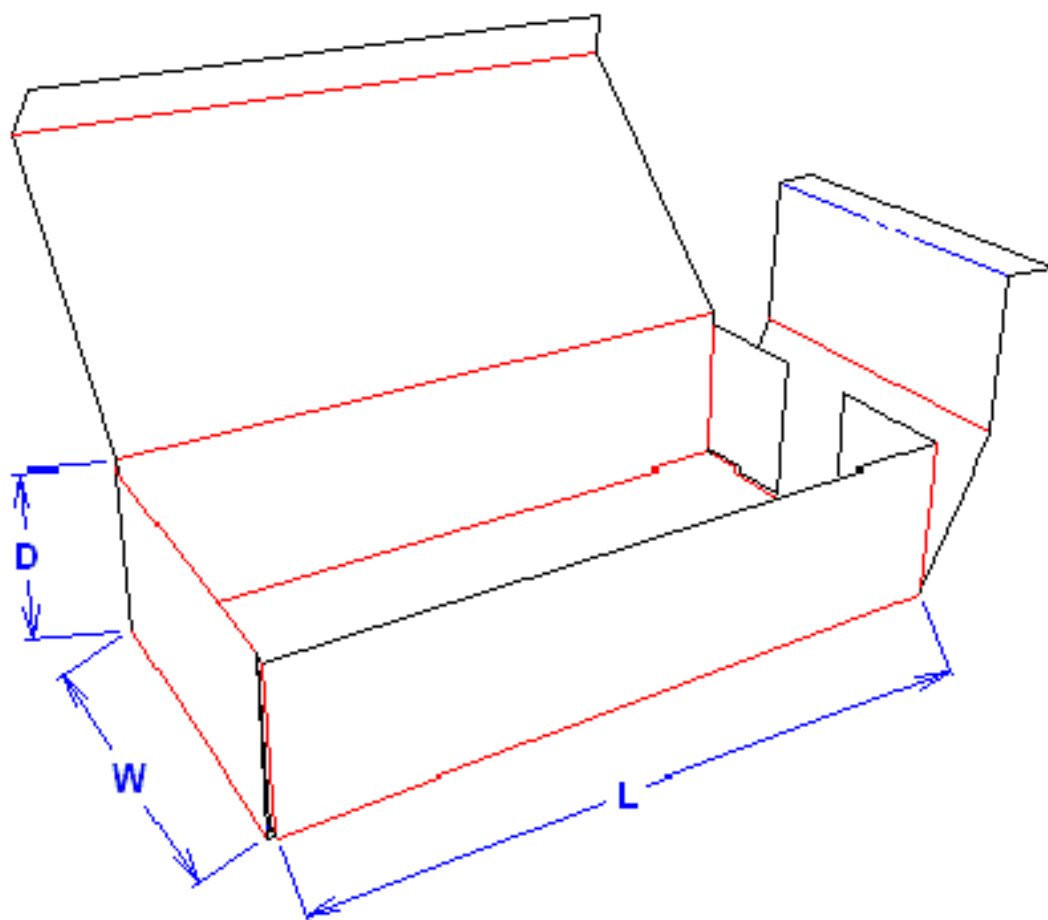


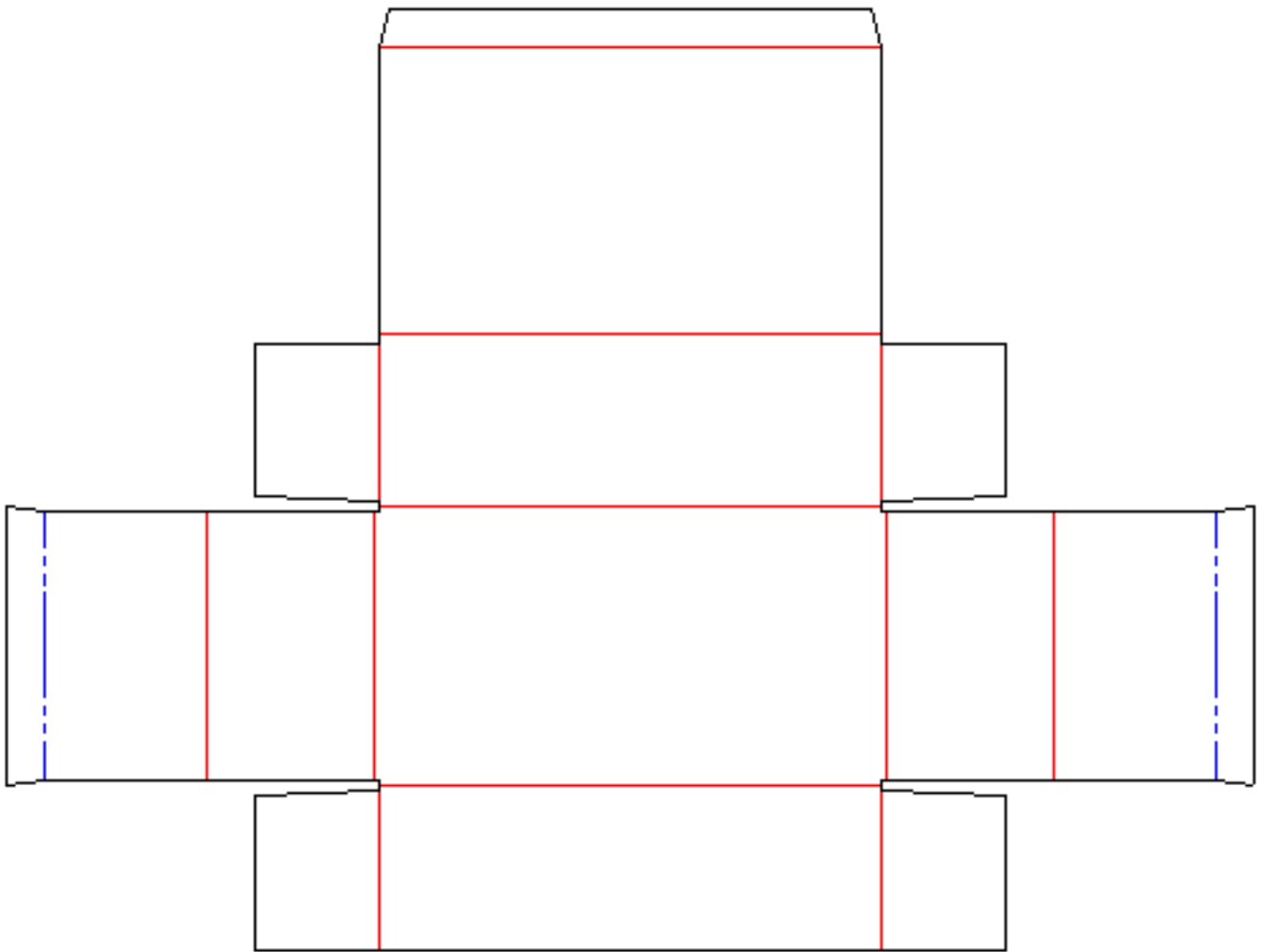
F0427



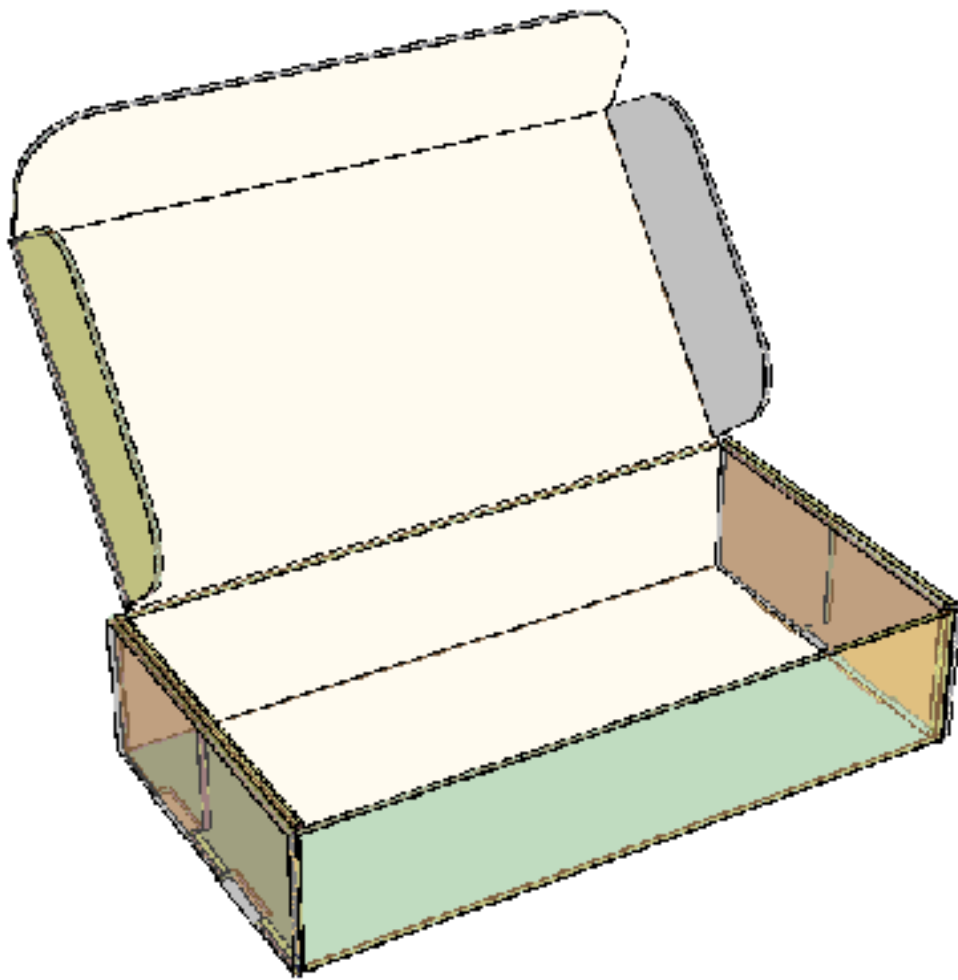


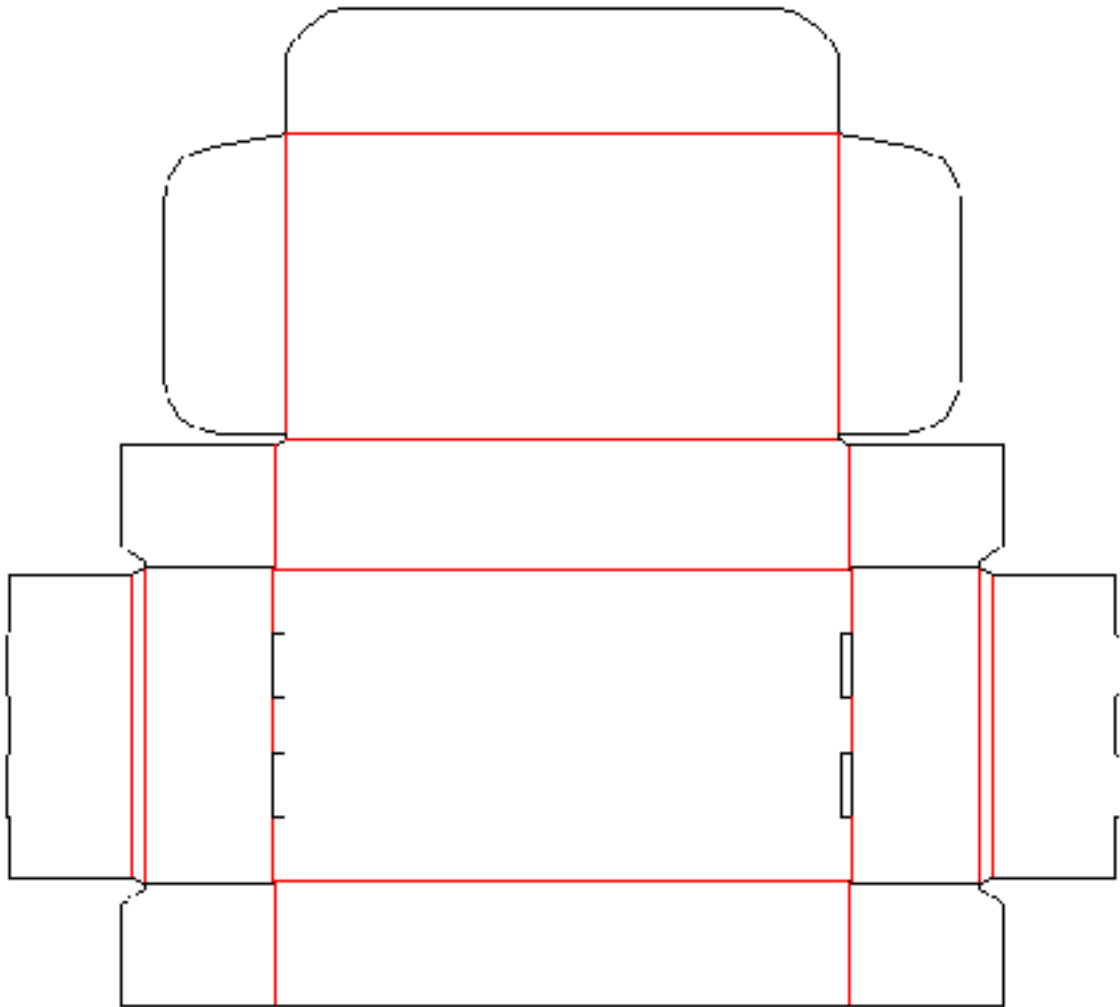
F0428



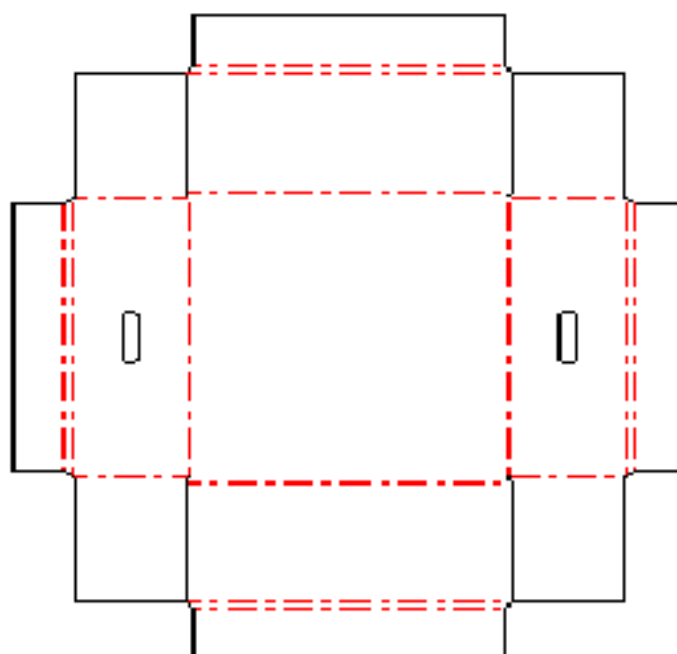
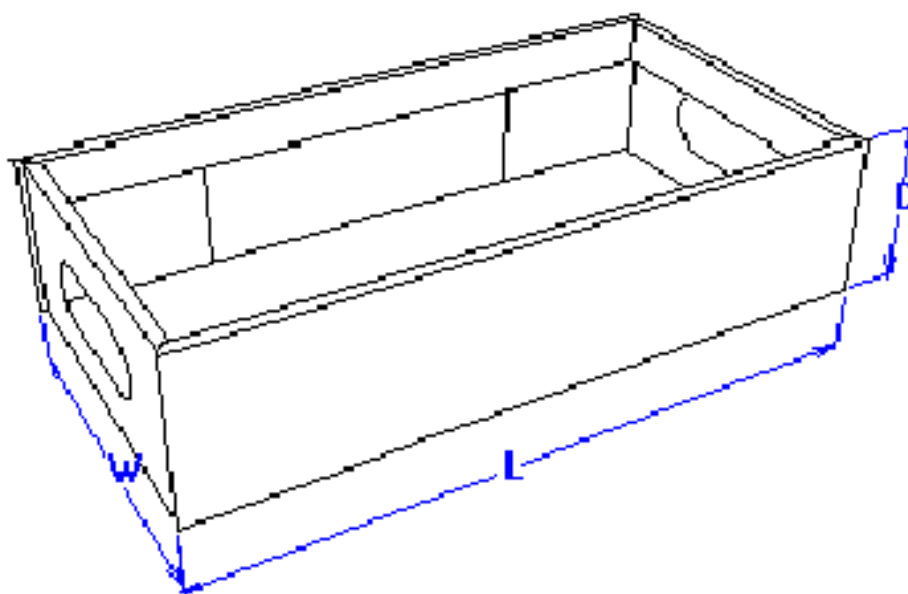


F0429

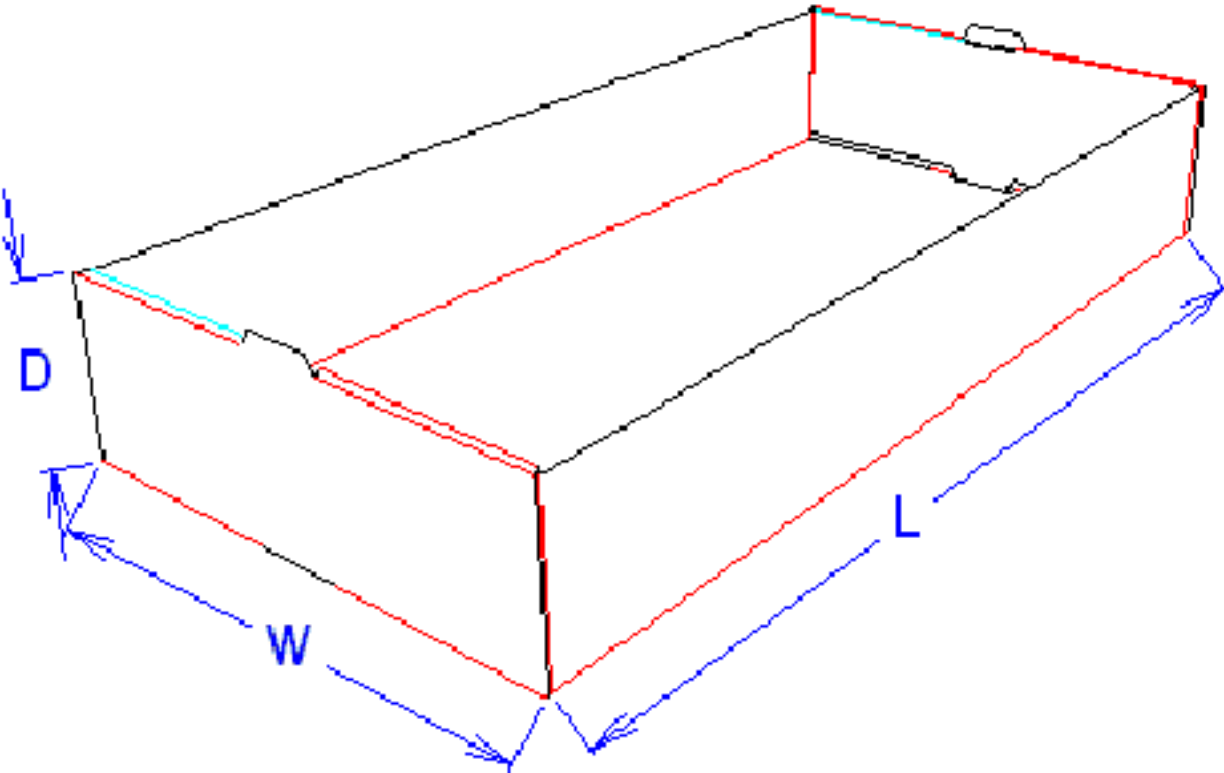


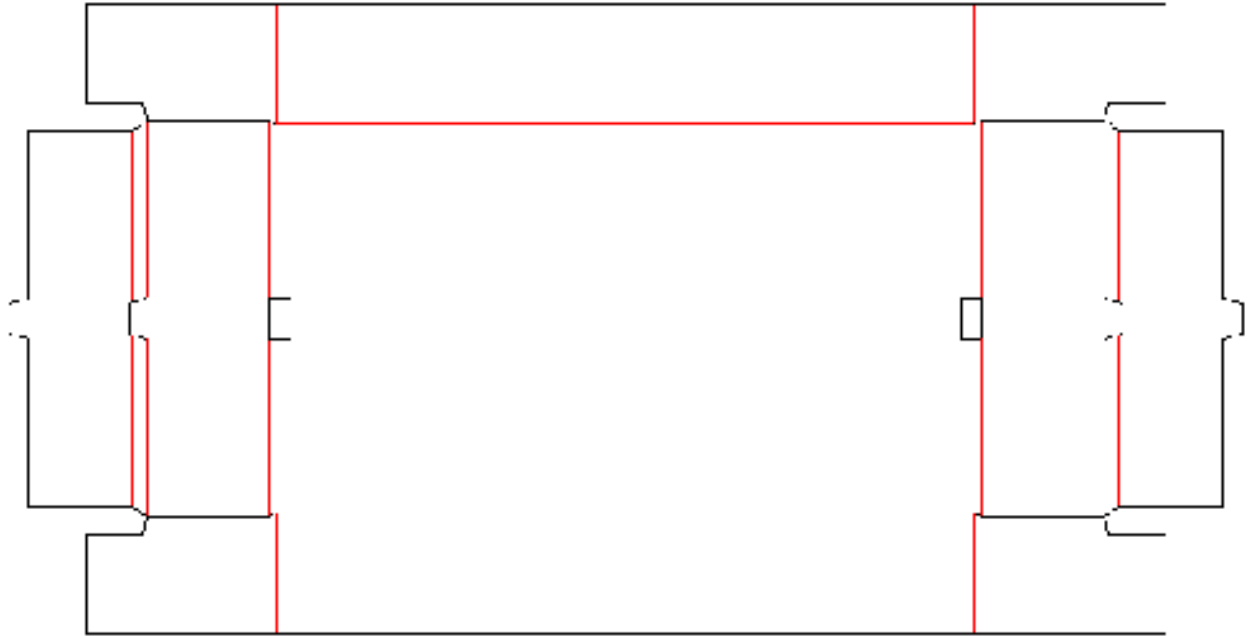


F0430

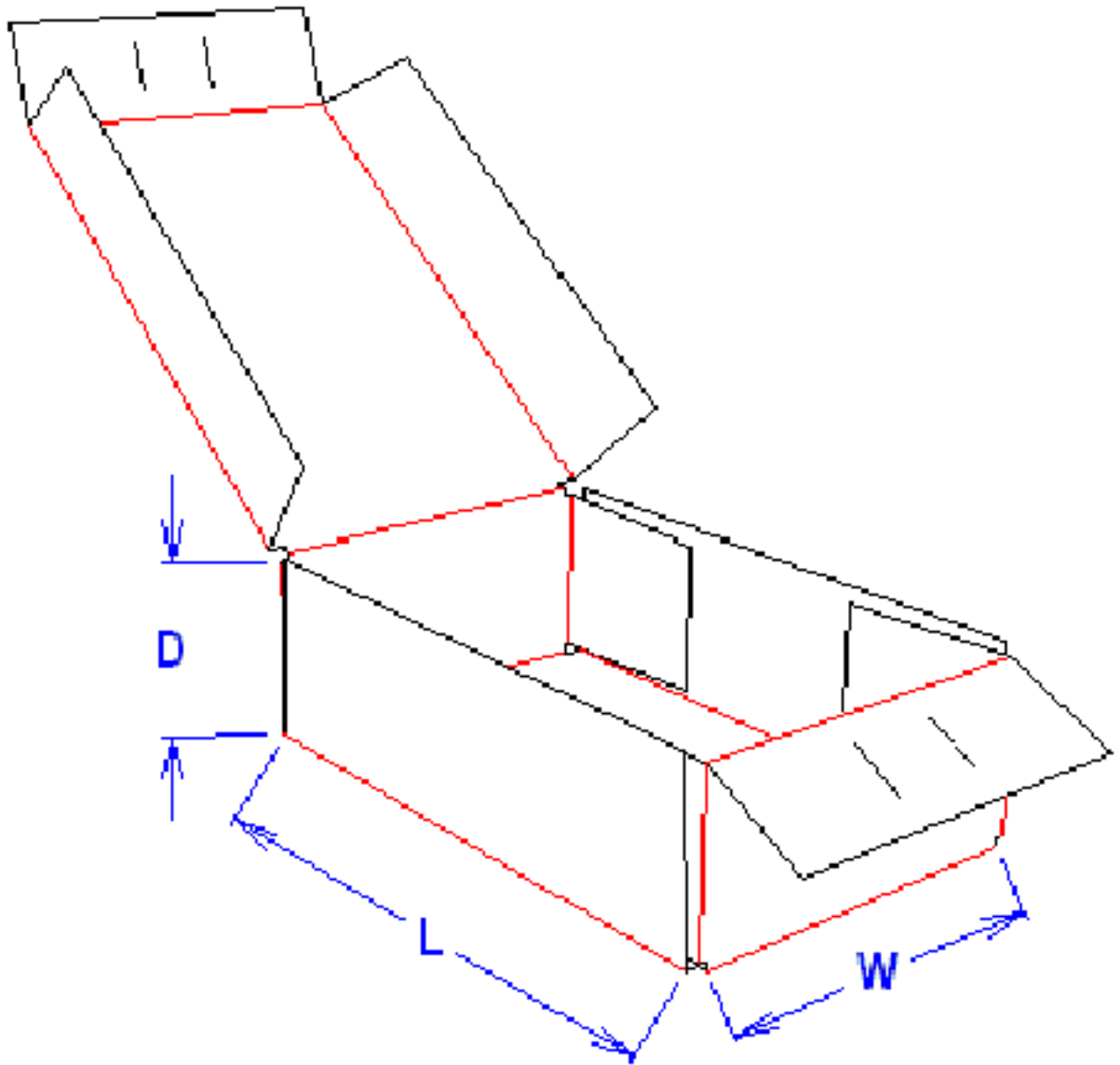


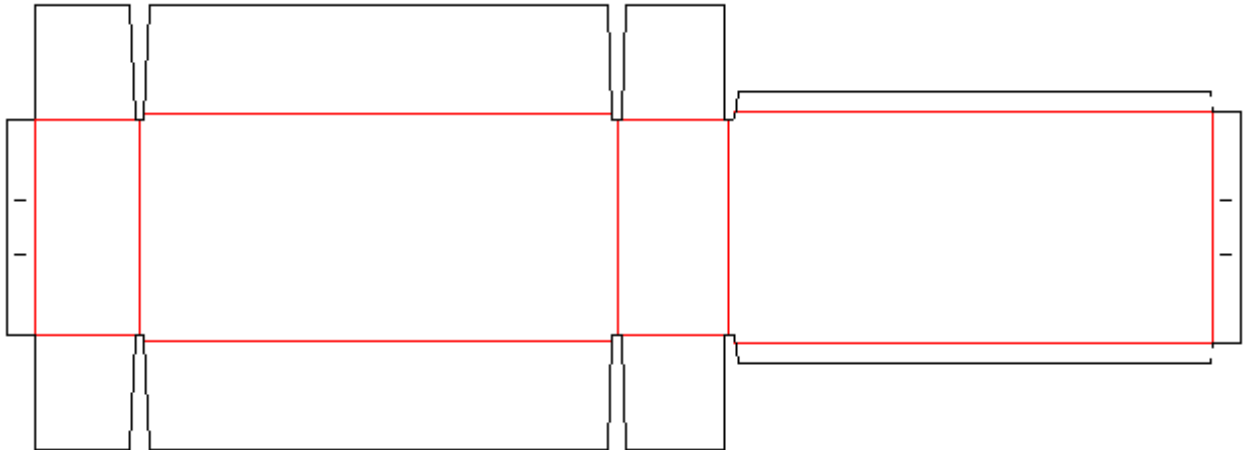
F0435



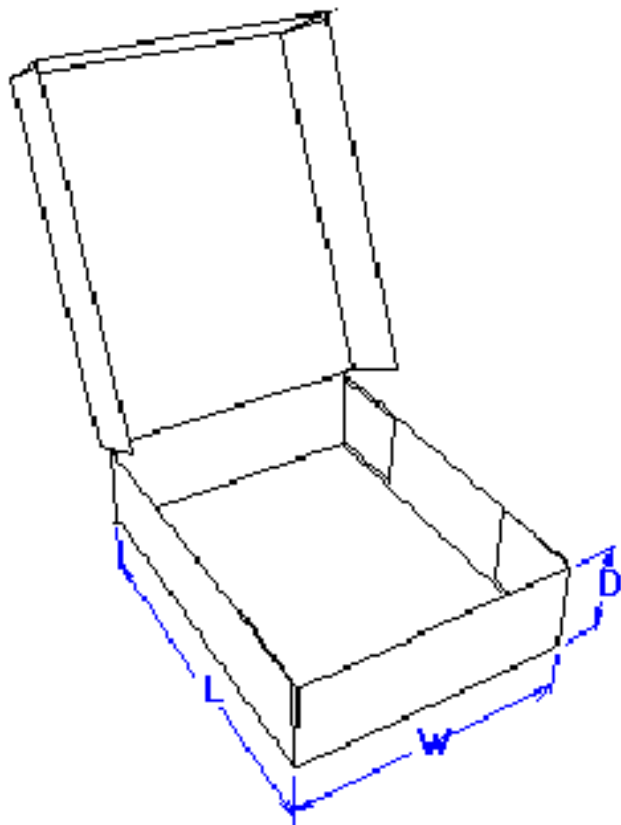


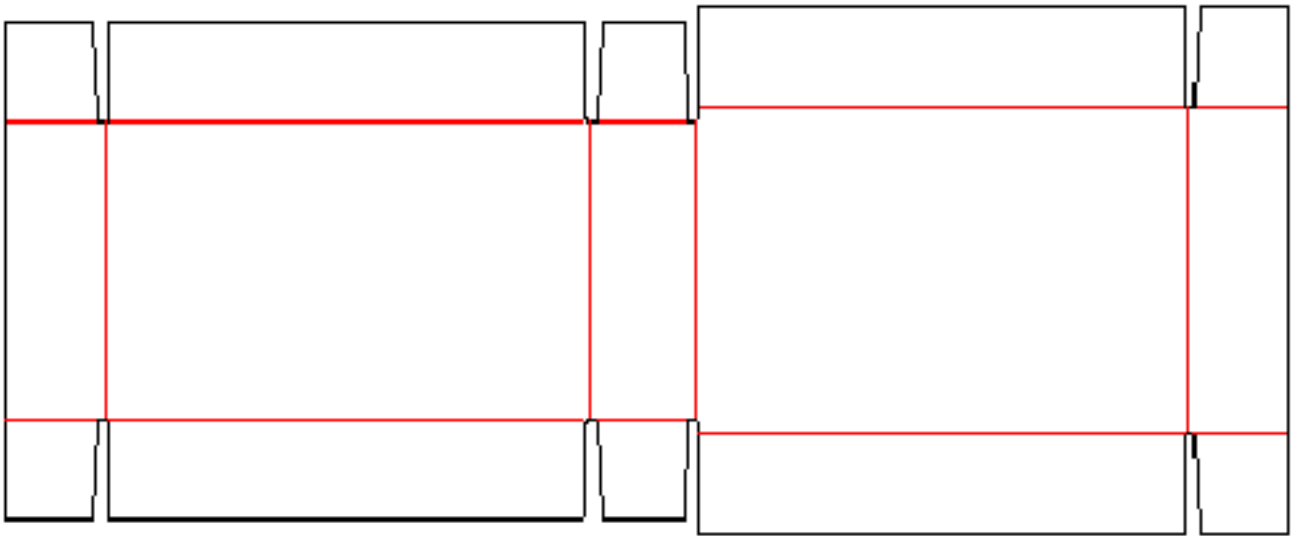
F0440



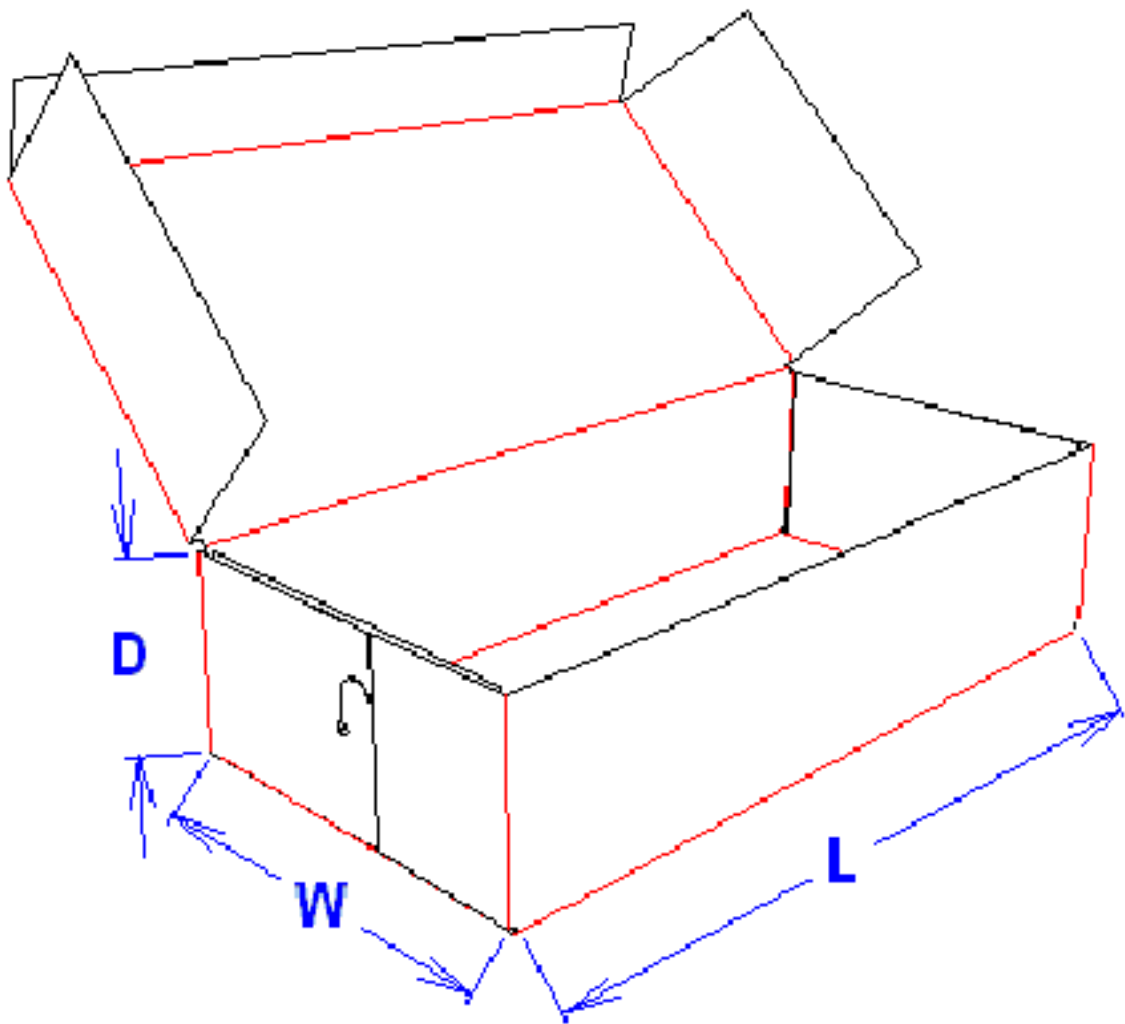


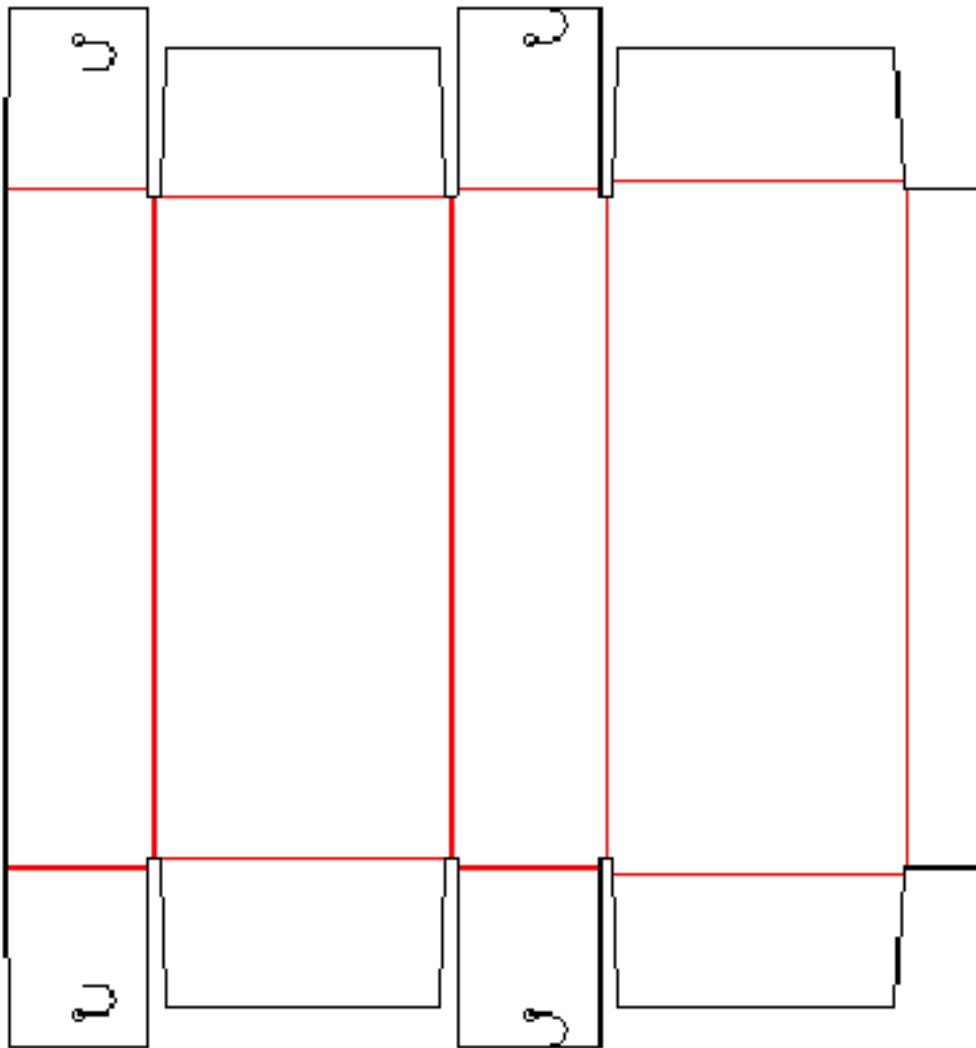
F0441



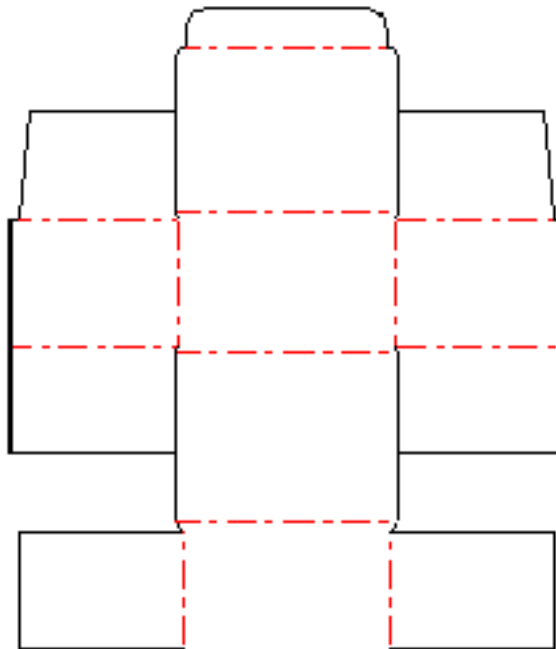
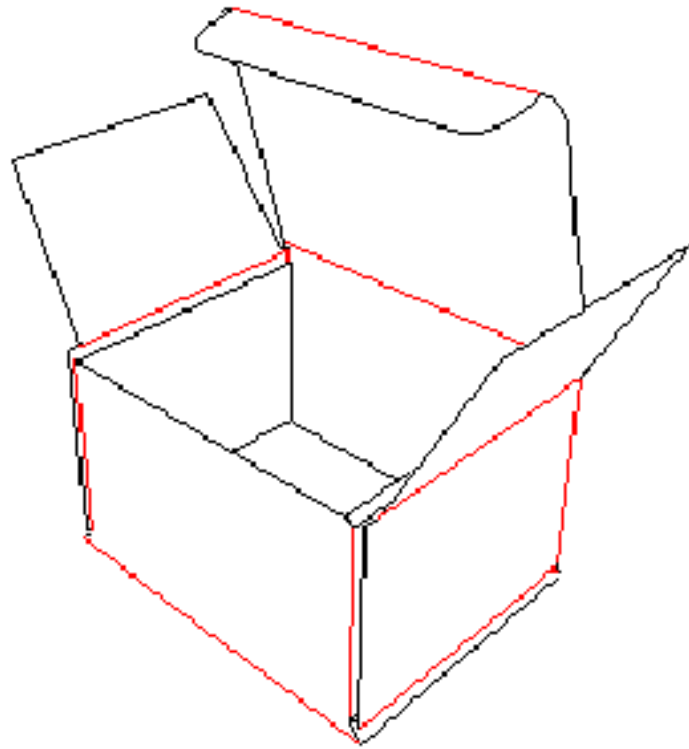


F0442

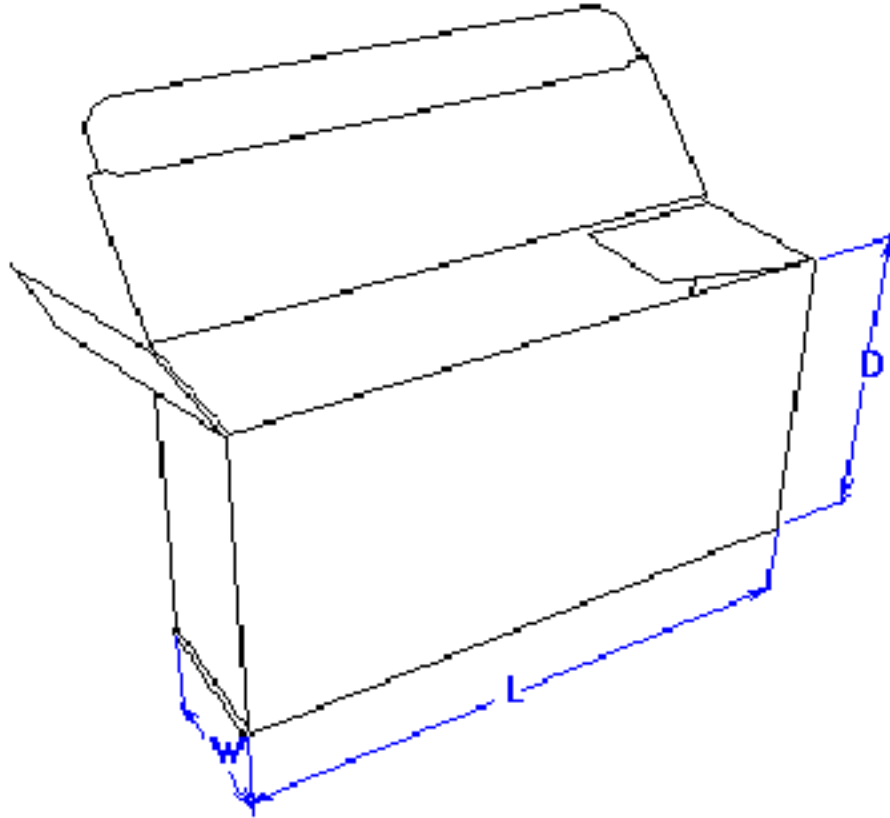


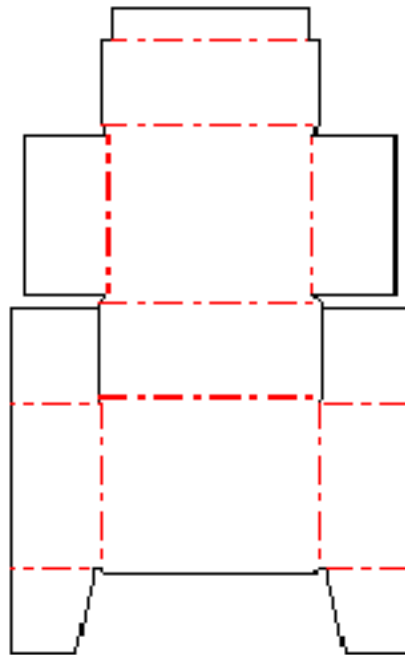


F0443

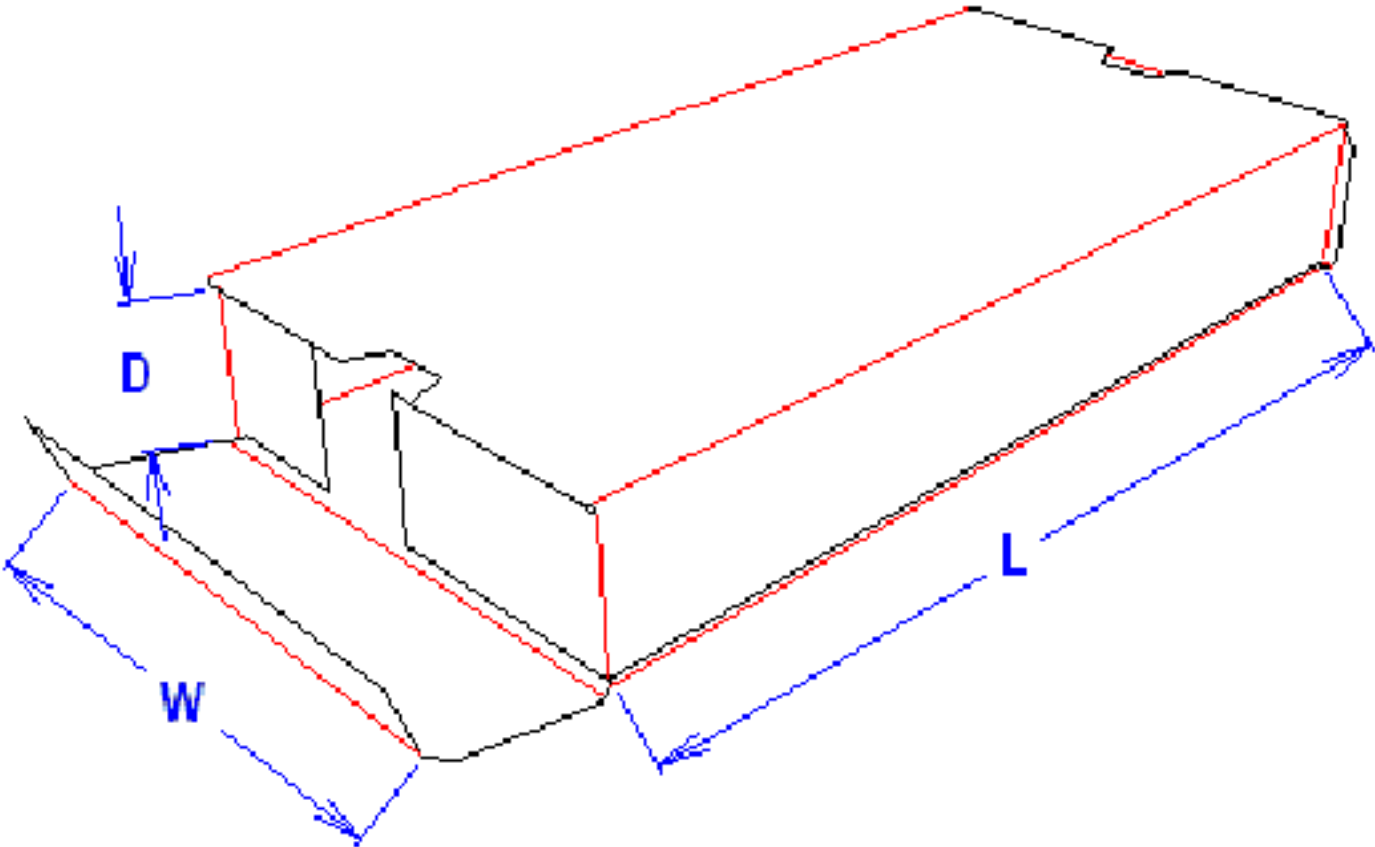


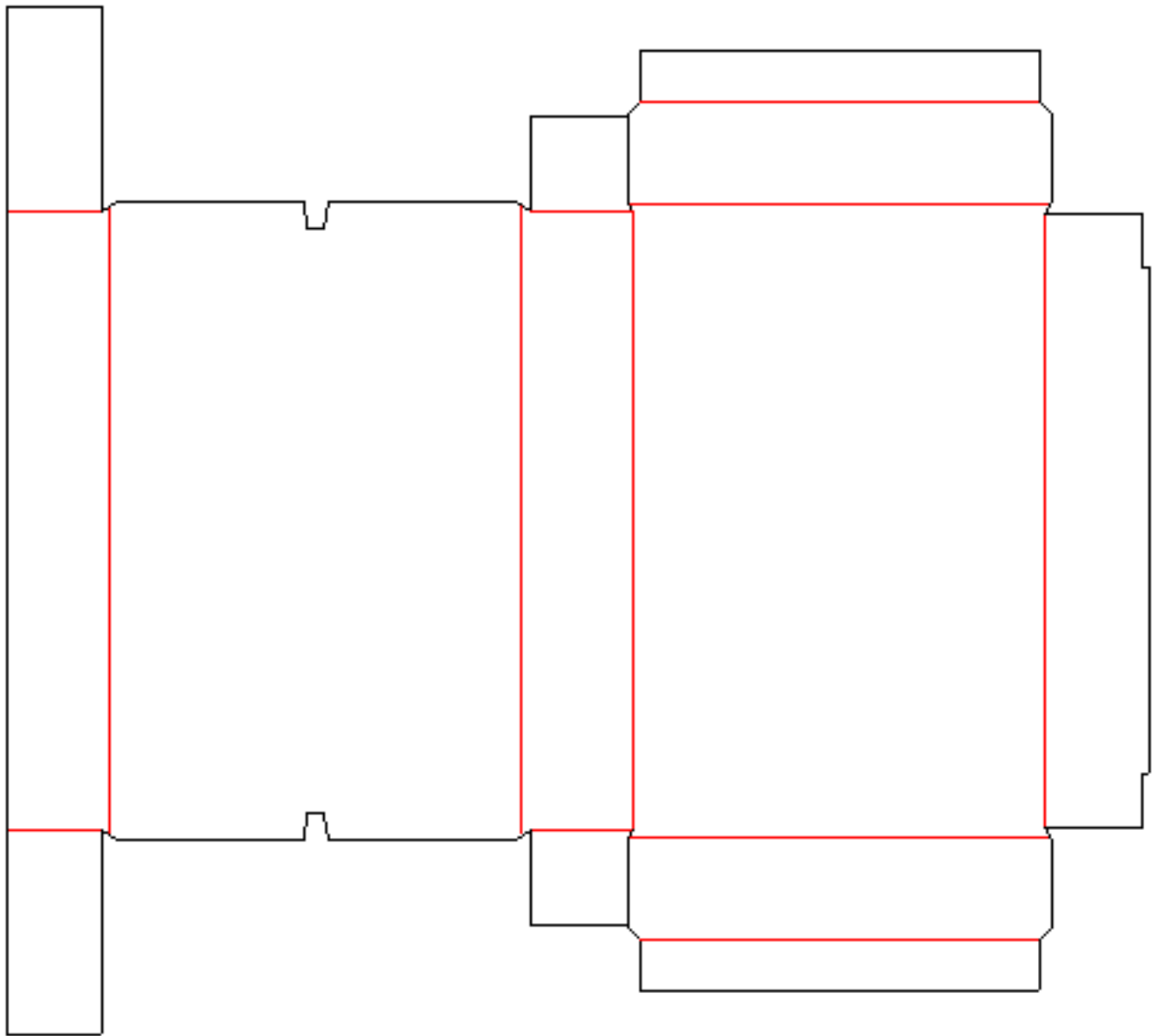
F0444



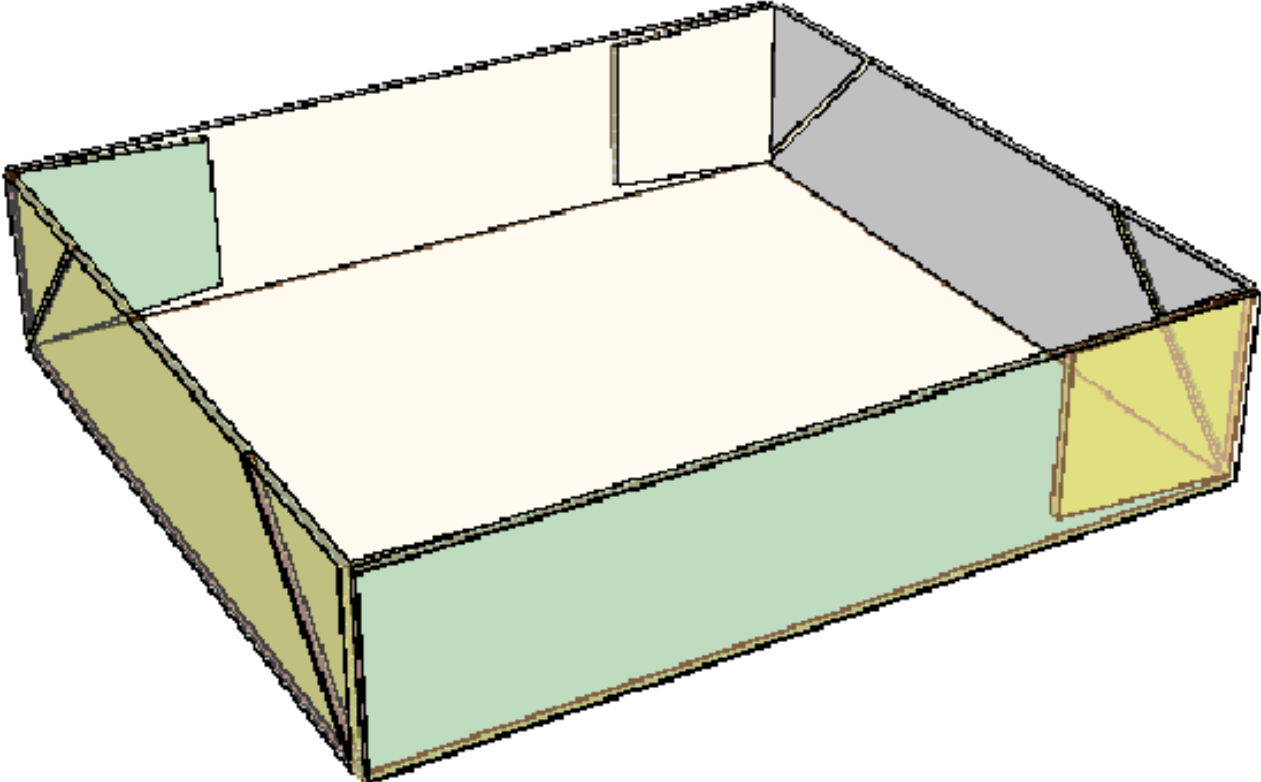


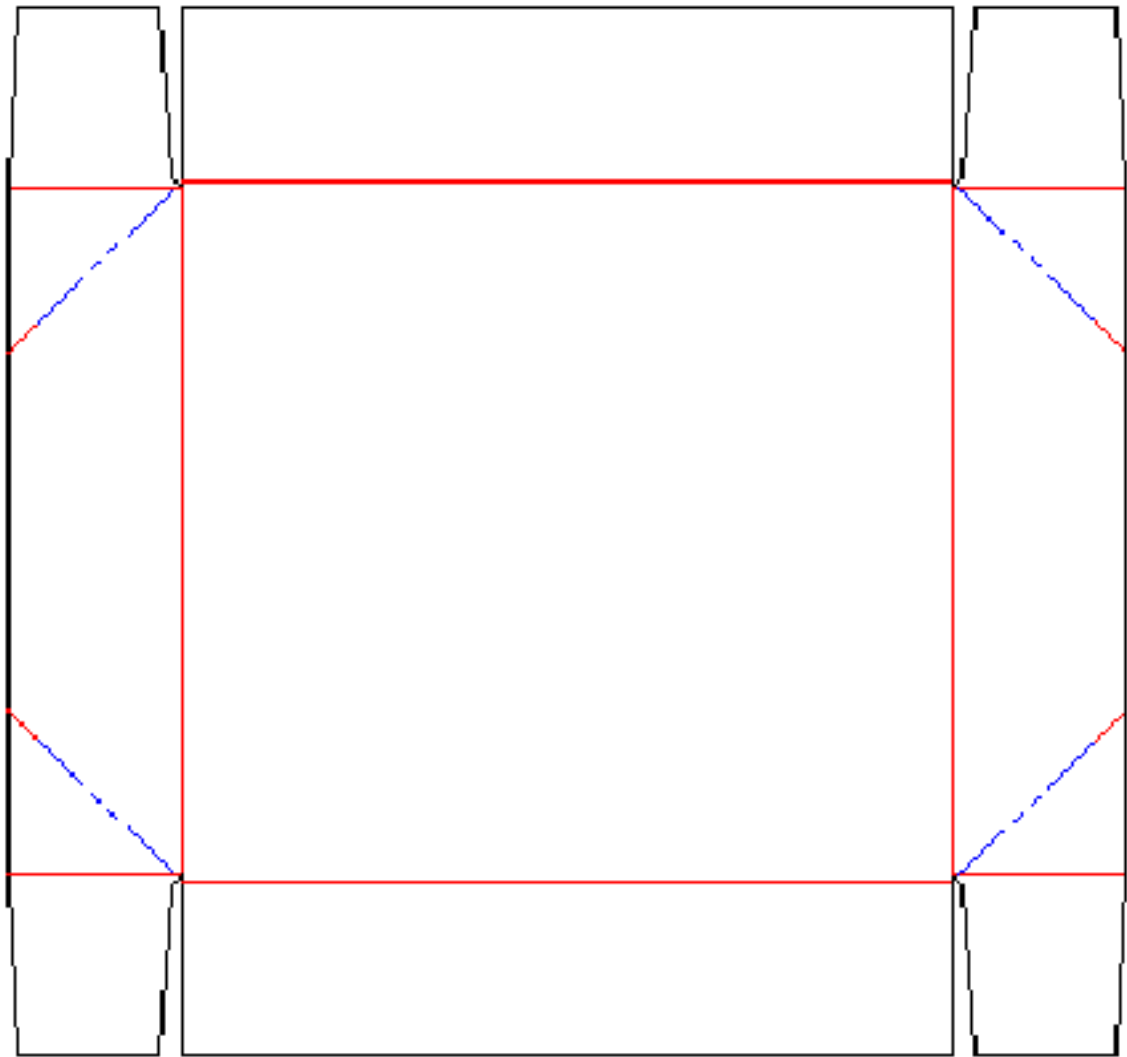
F0447



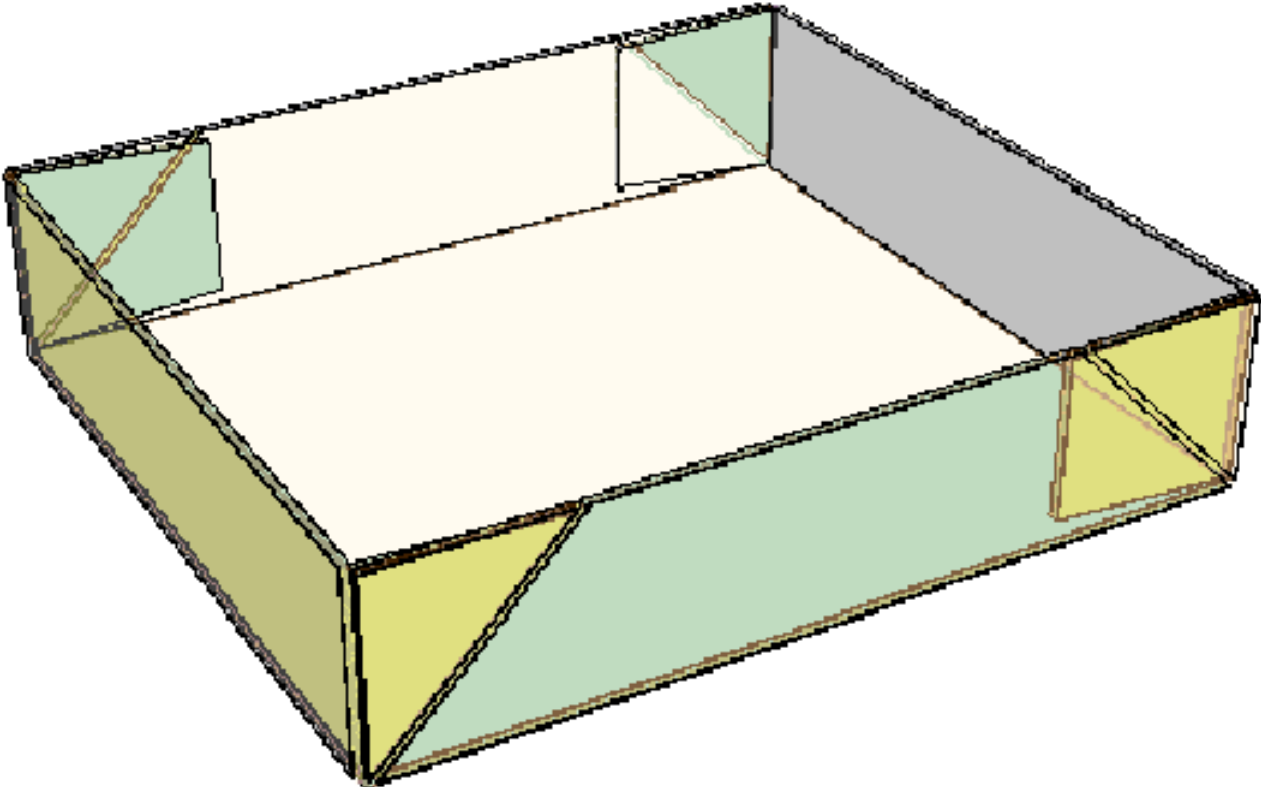


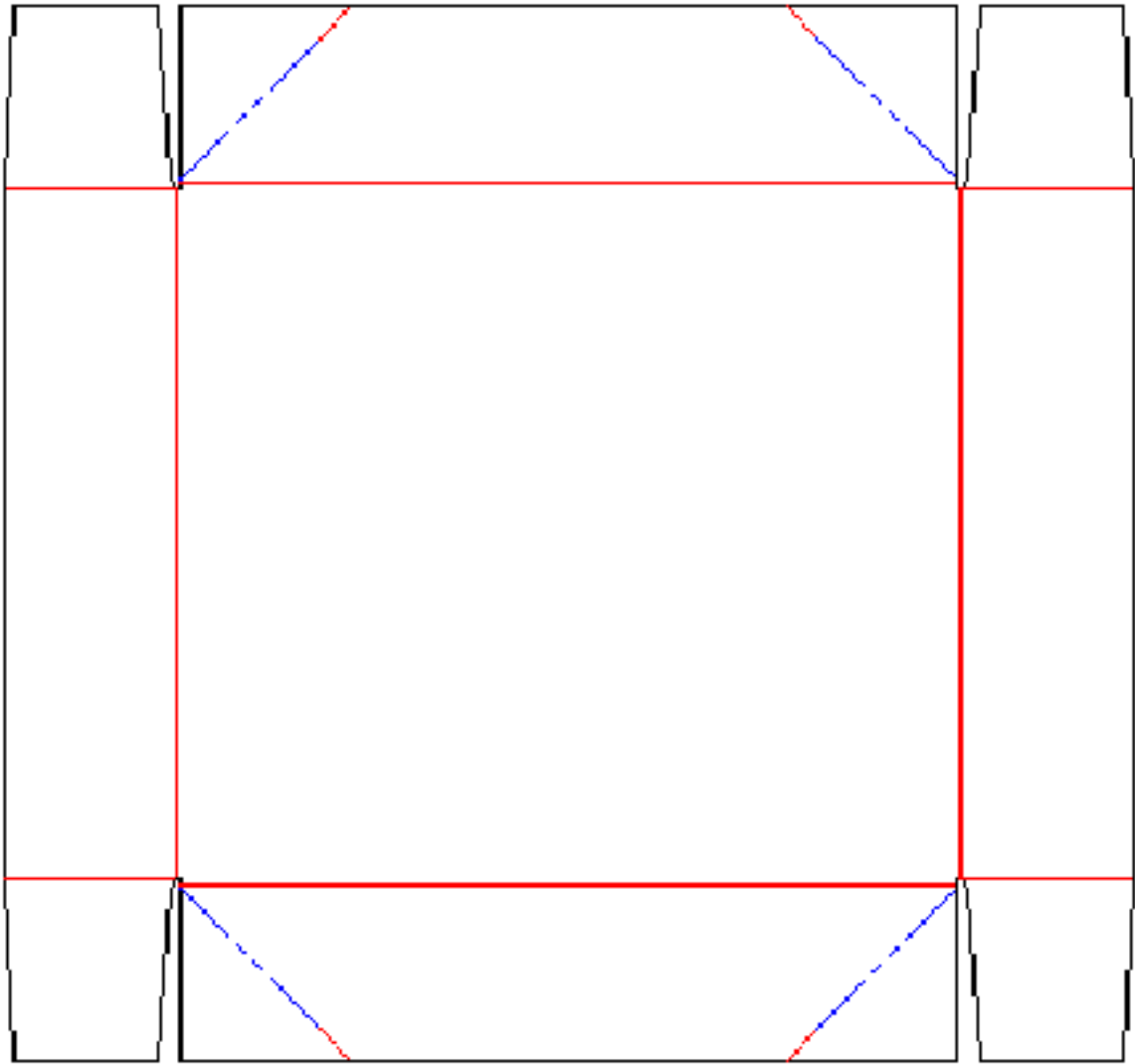
F0450



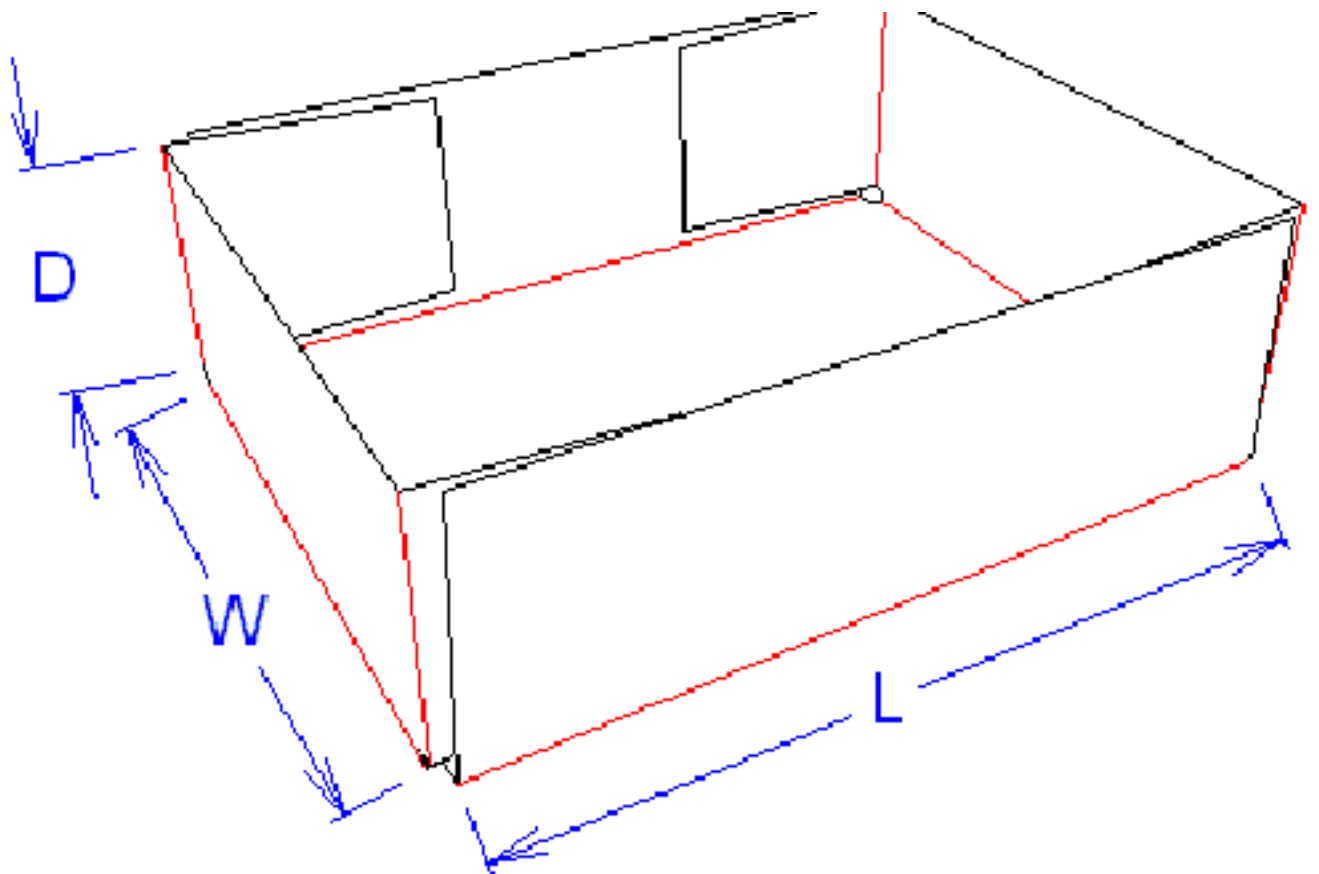


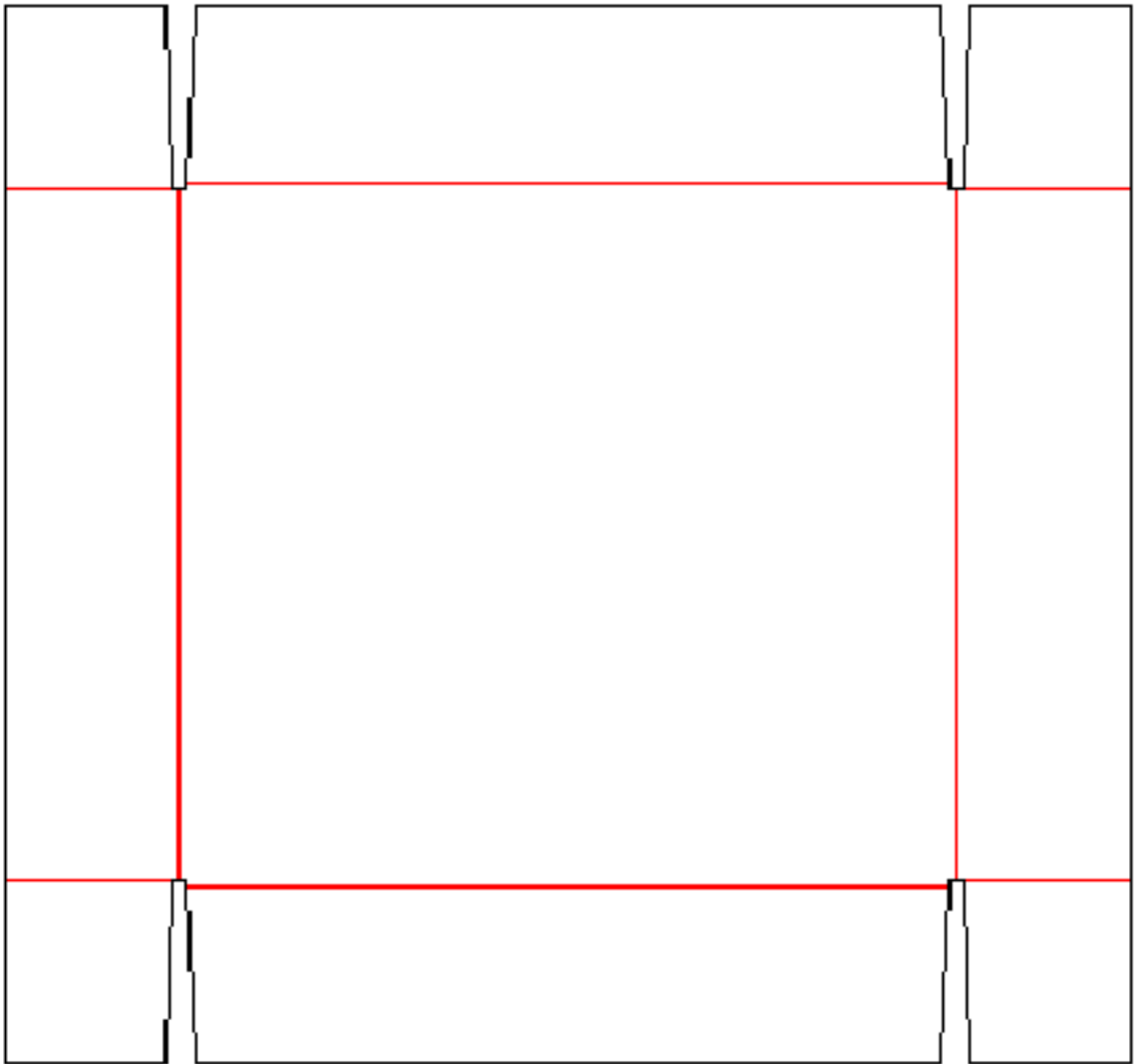
F0451



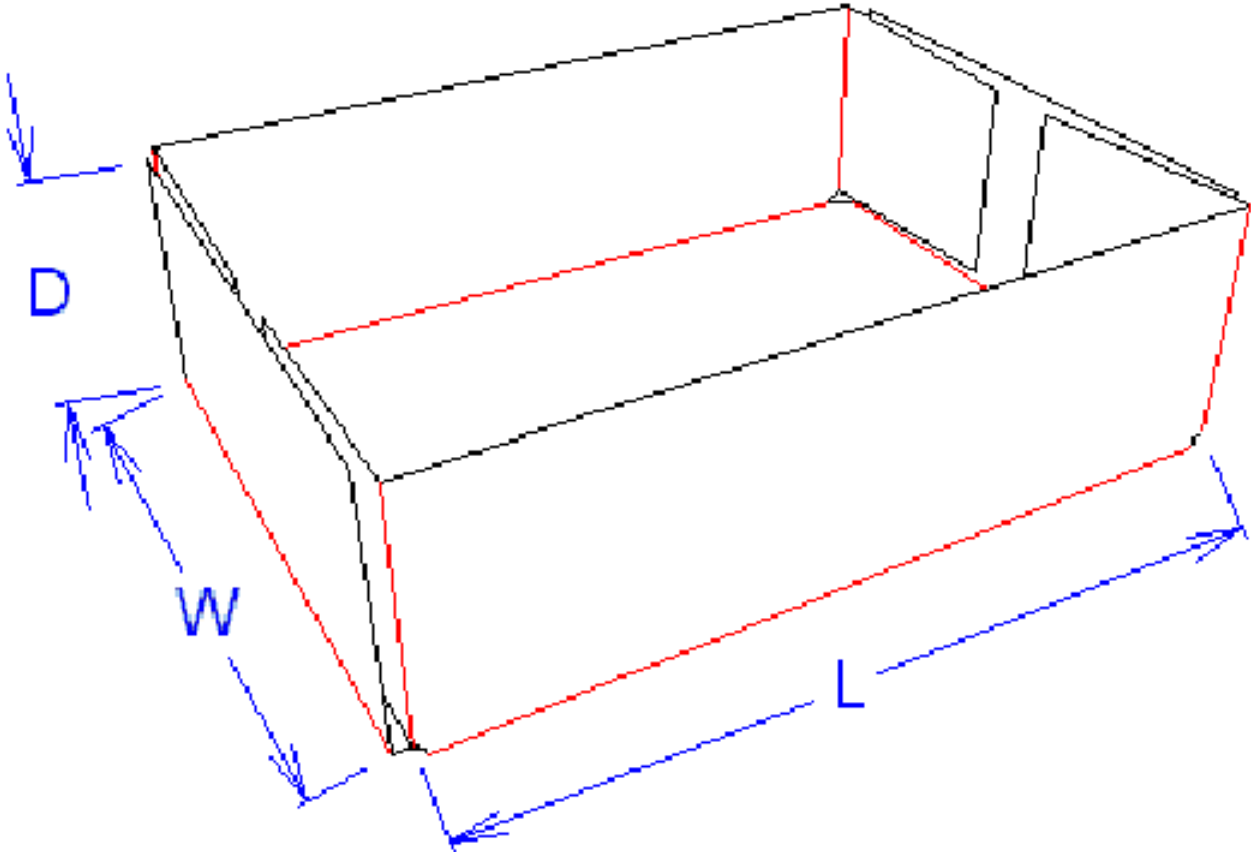


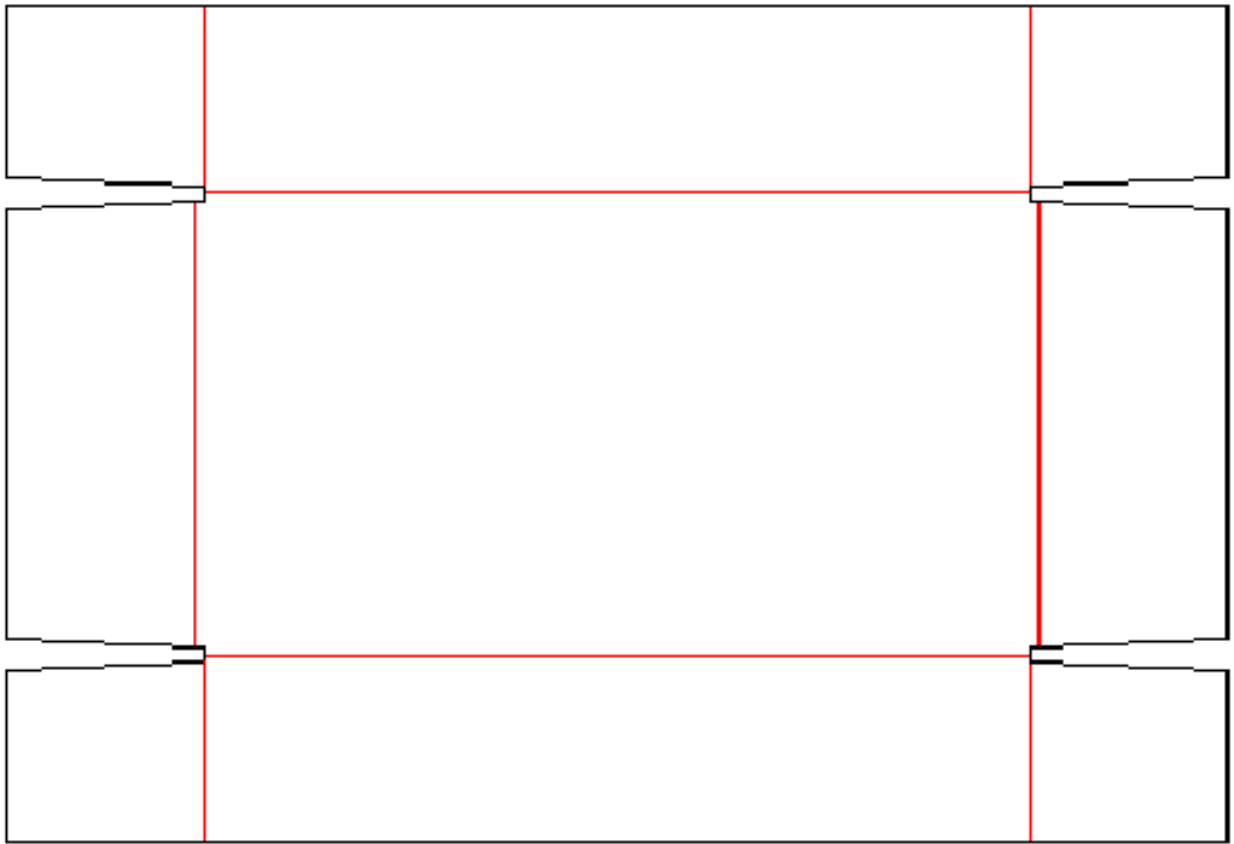
F0452



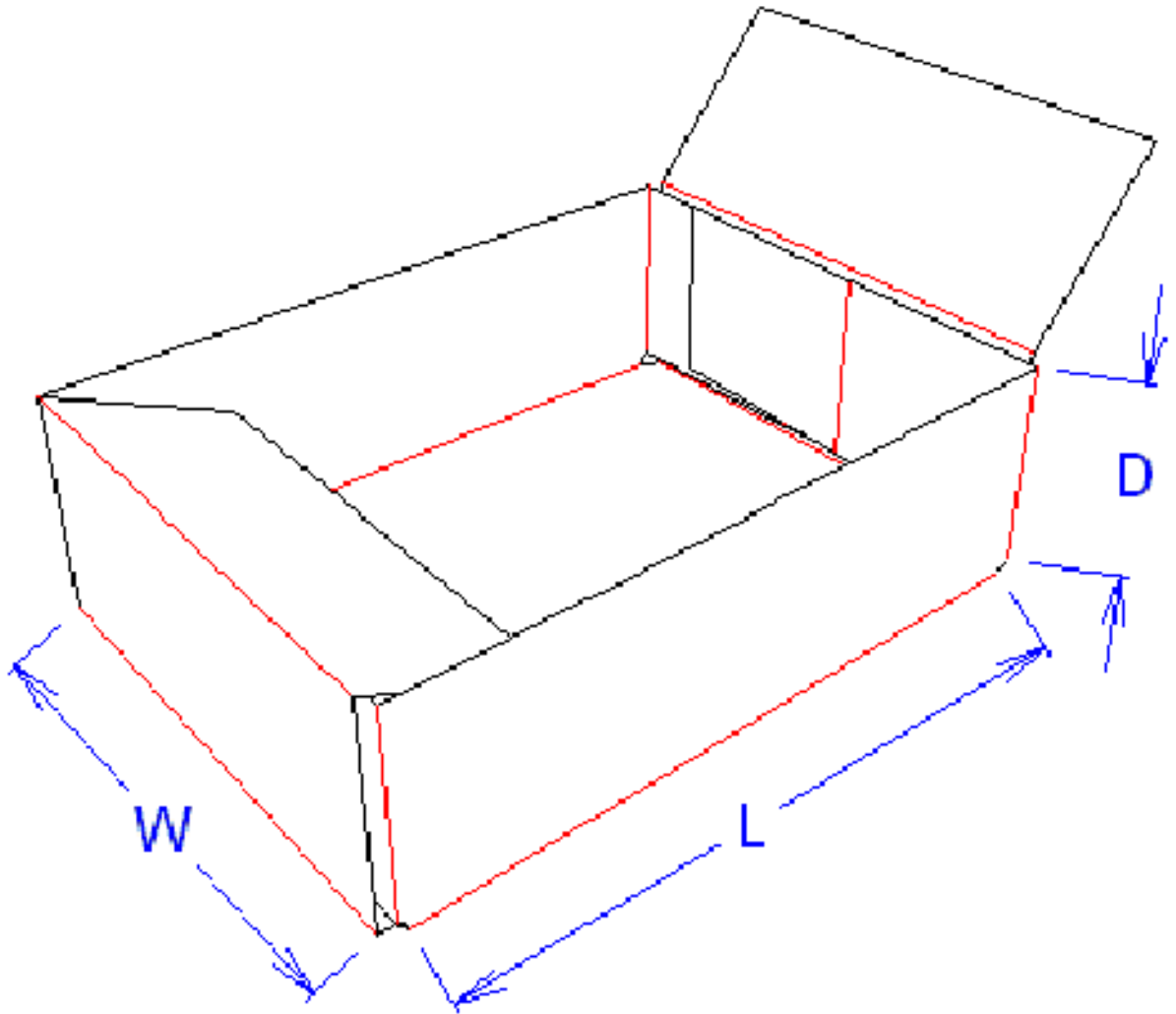


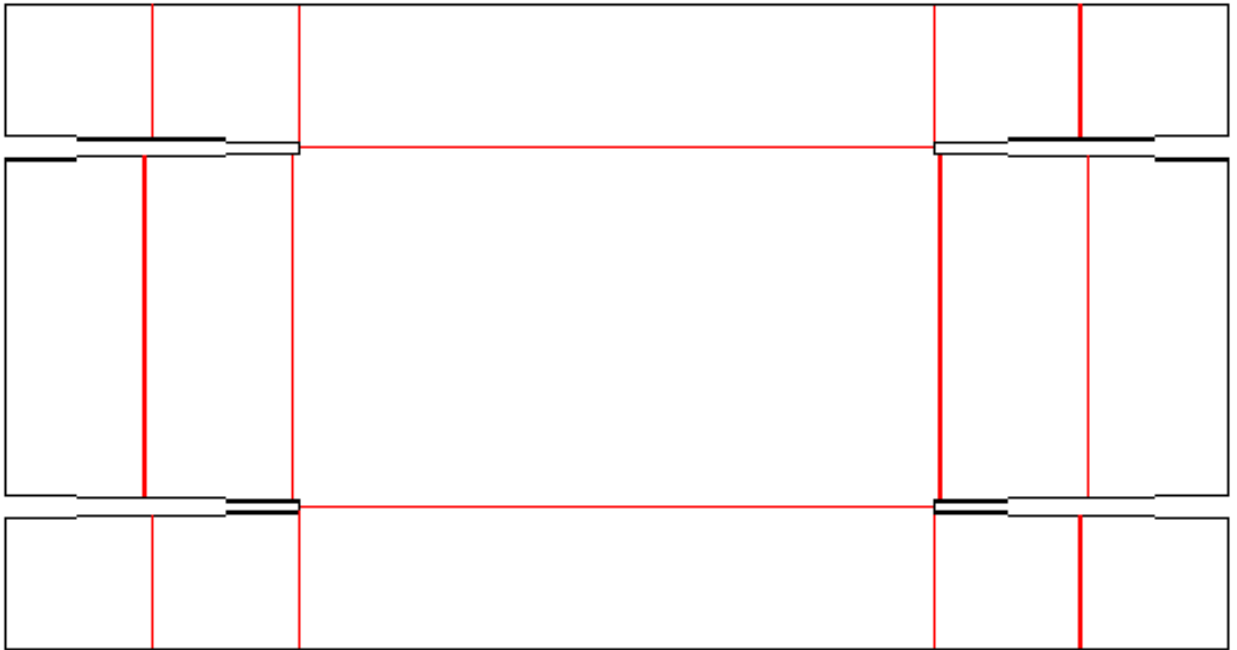
F0453



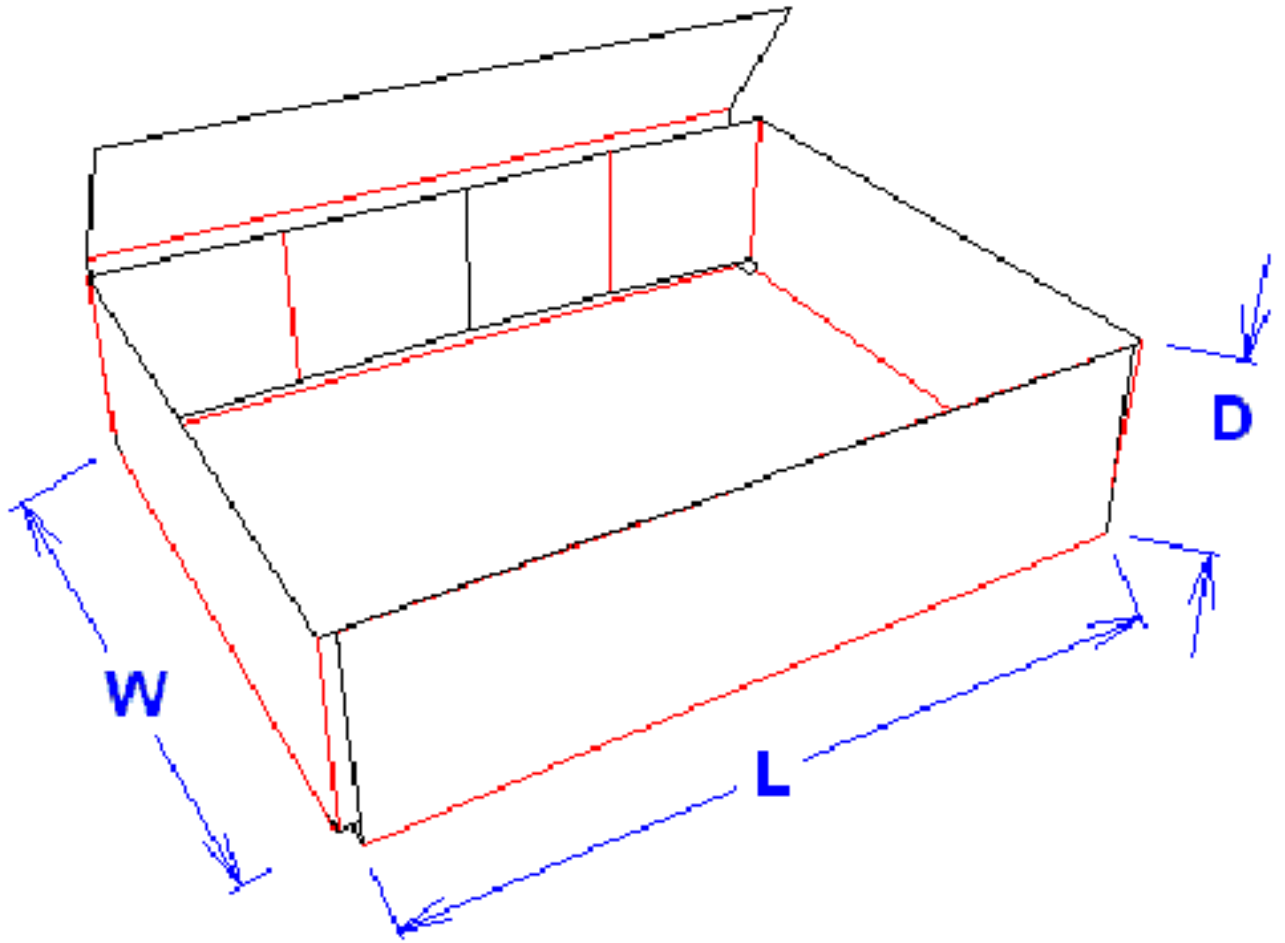


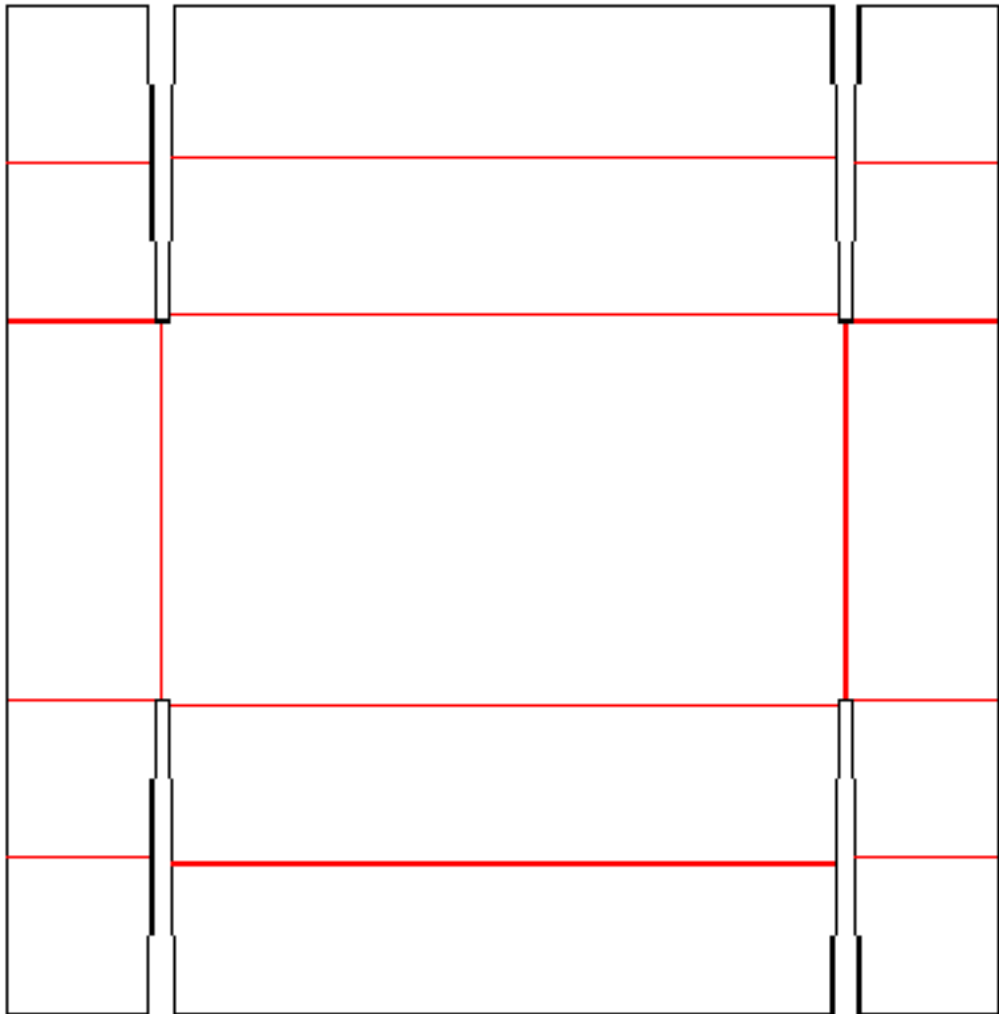
F0454



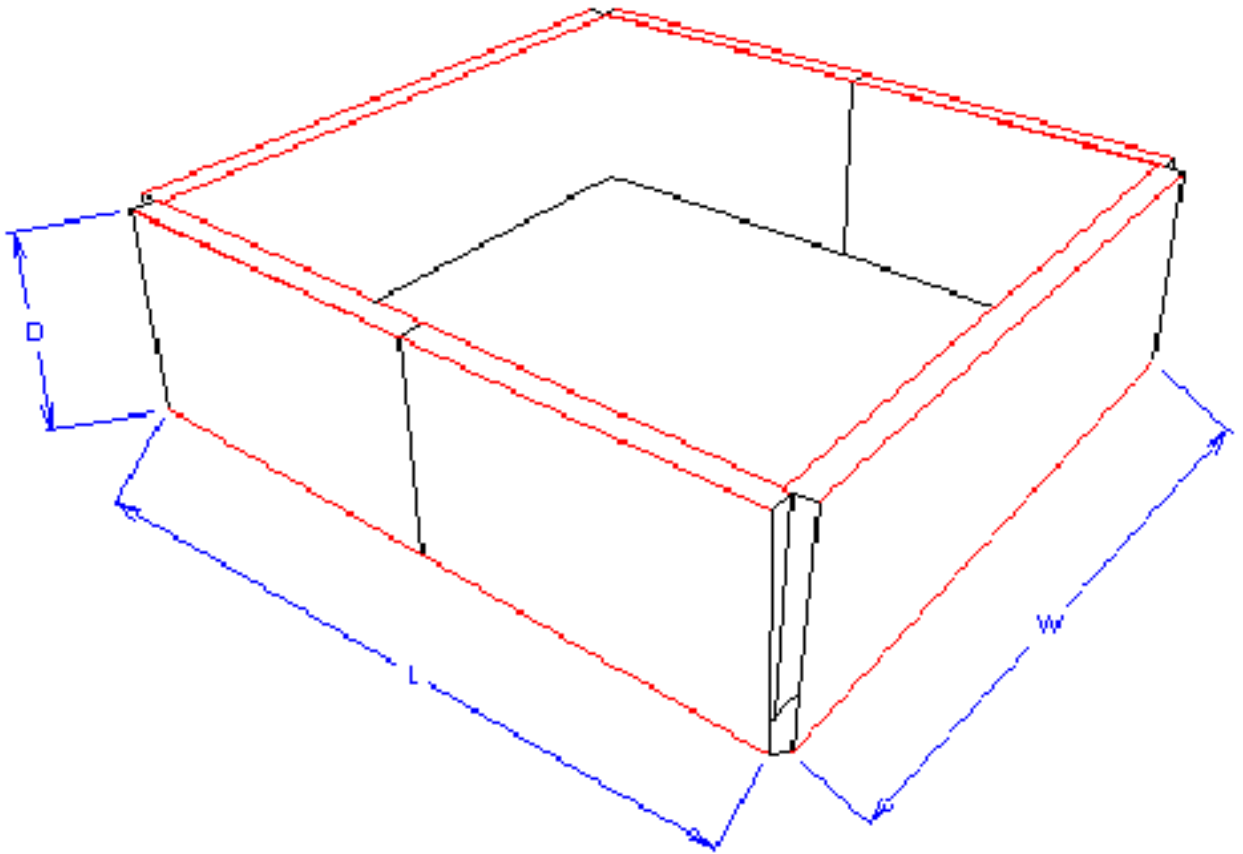


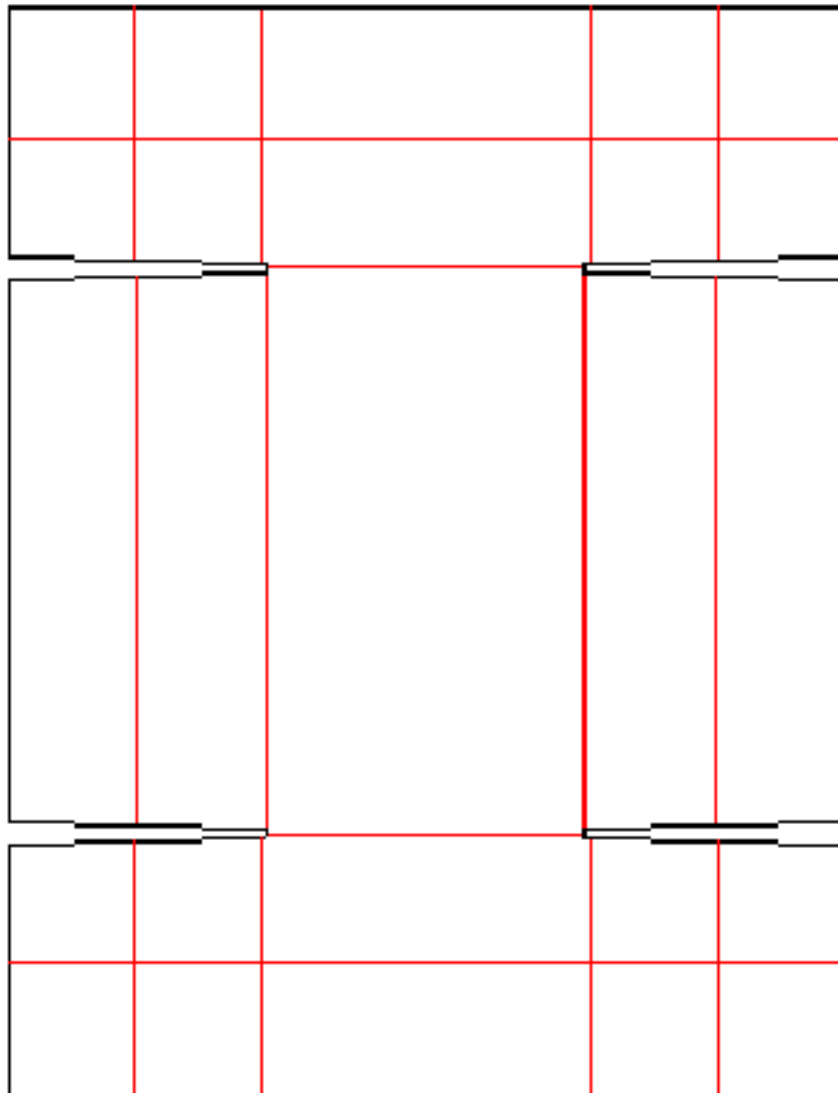
F0455



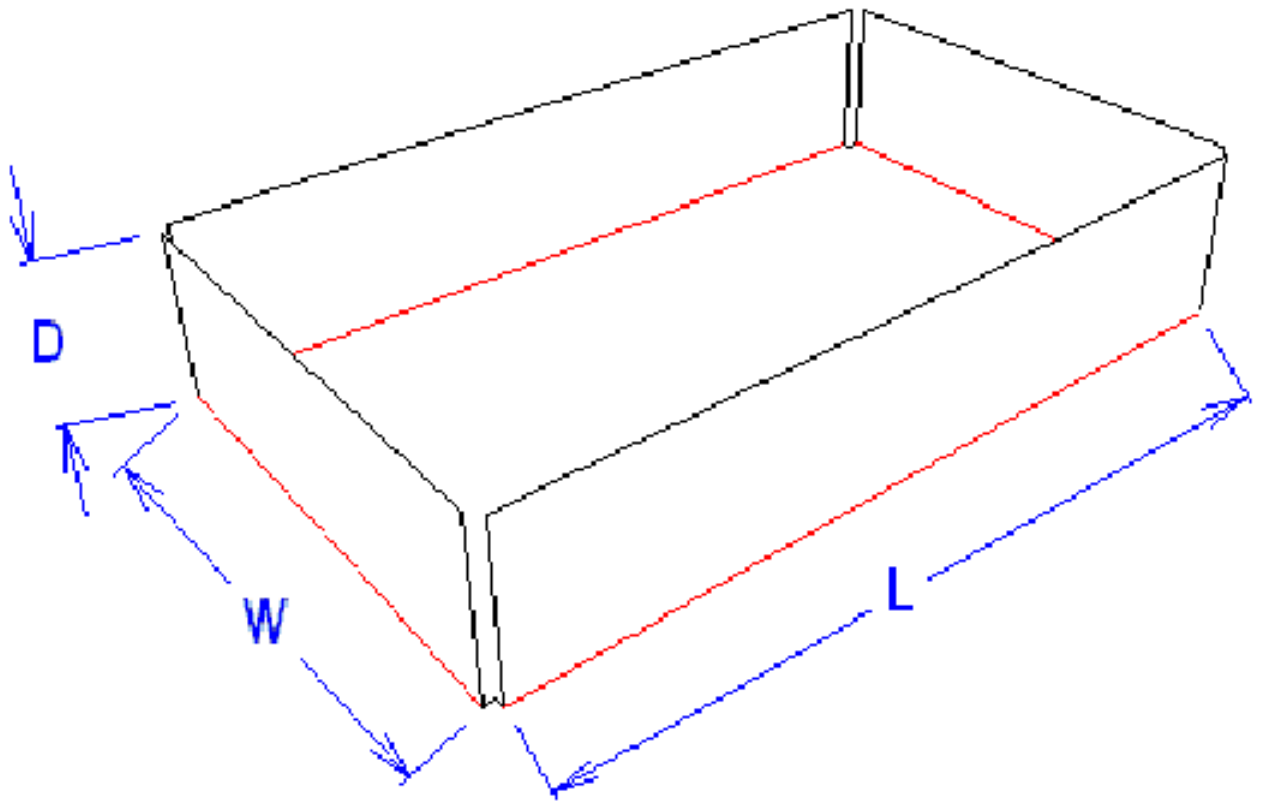


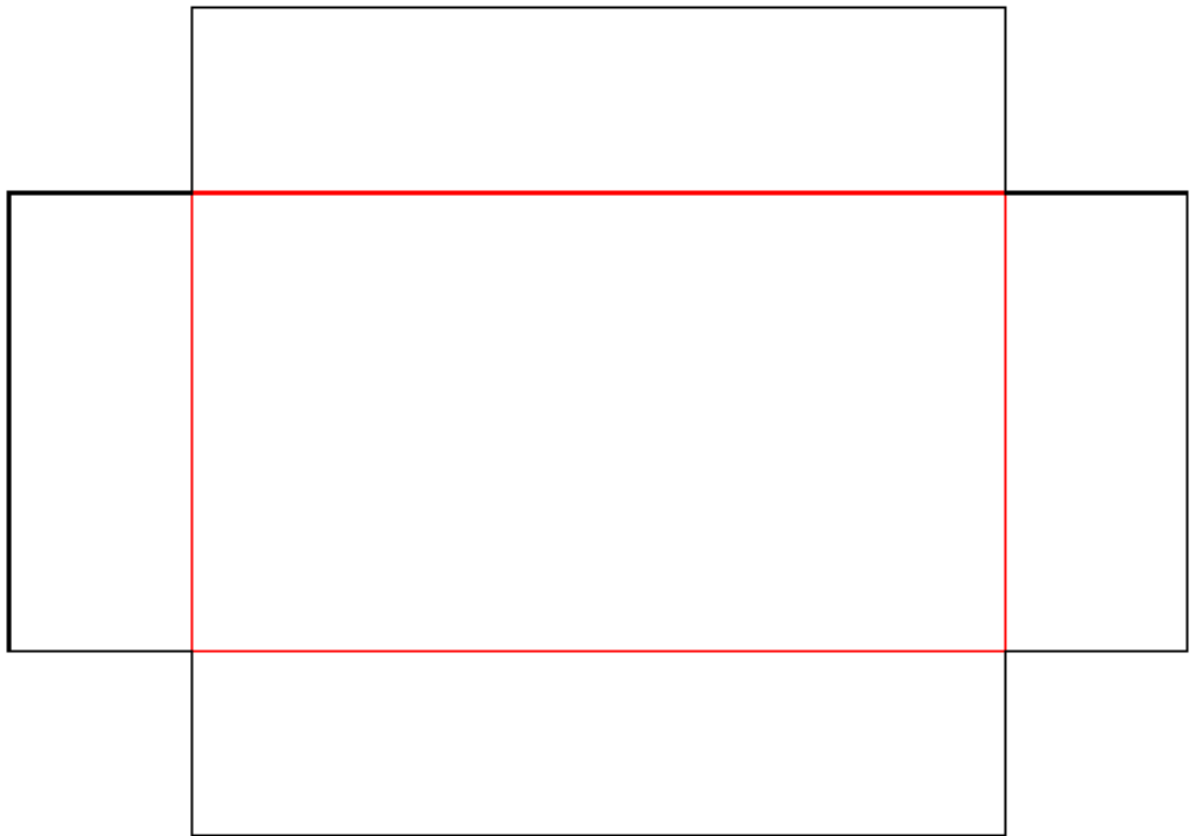
F0456



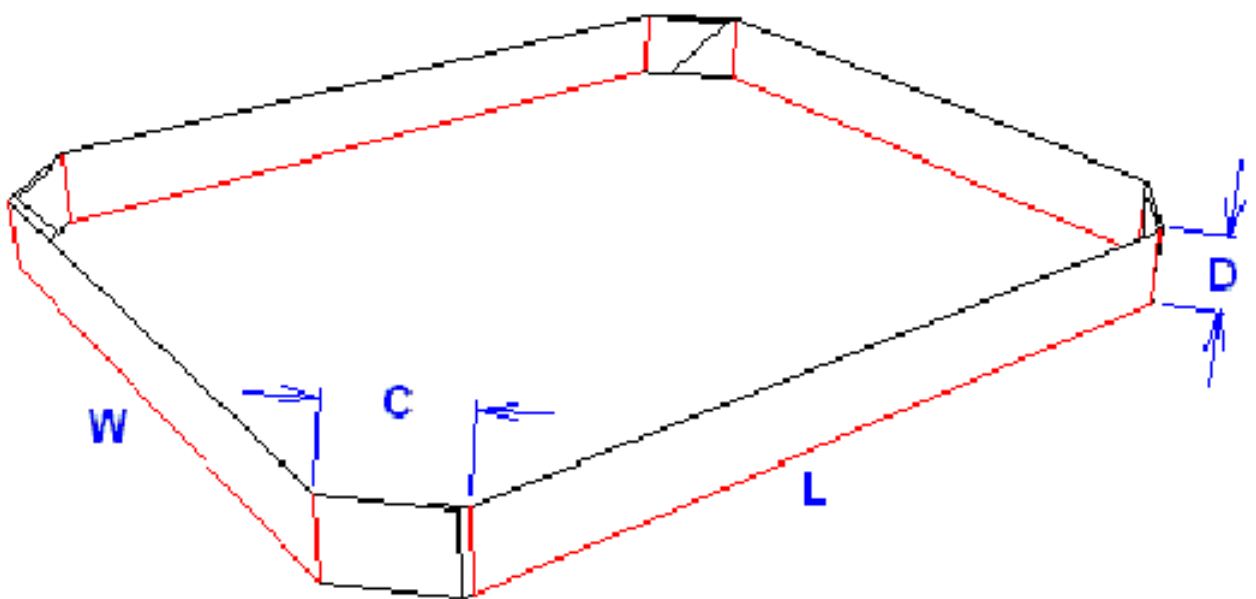


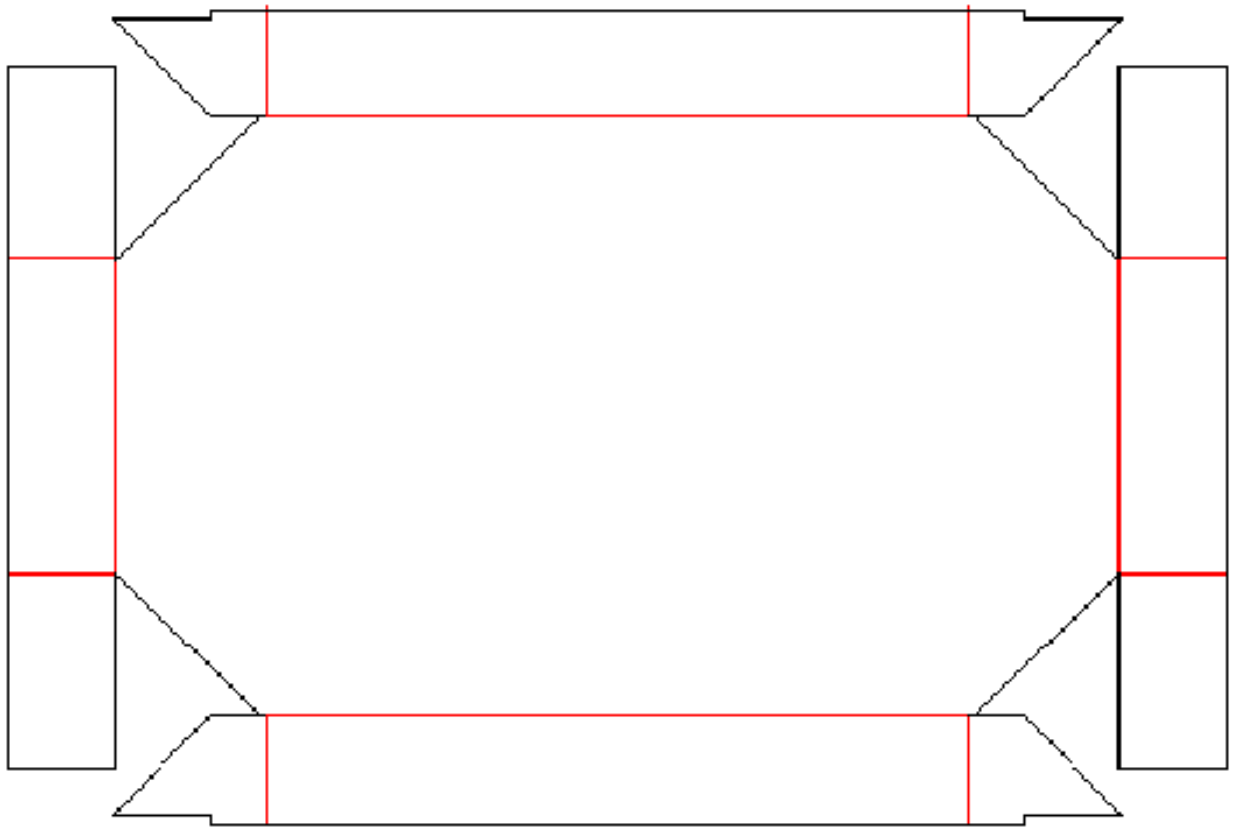
F0458



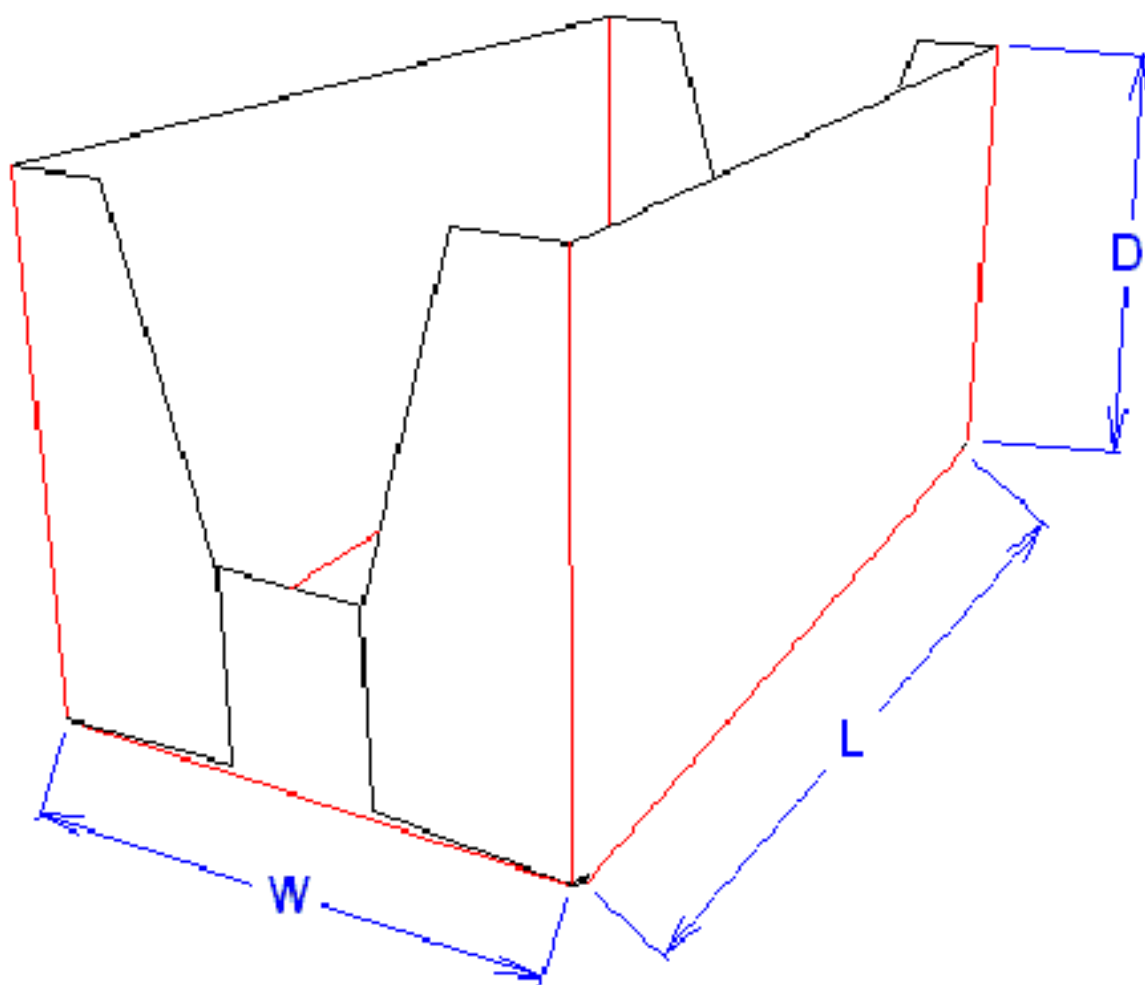


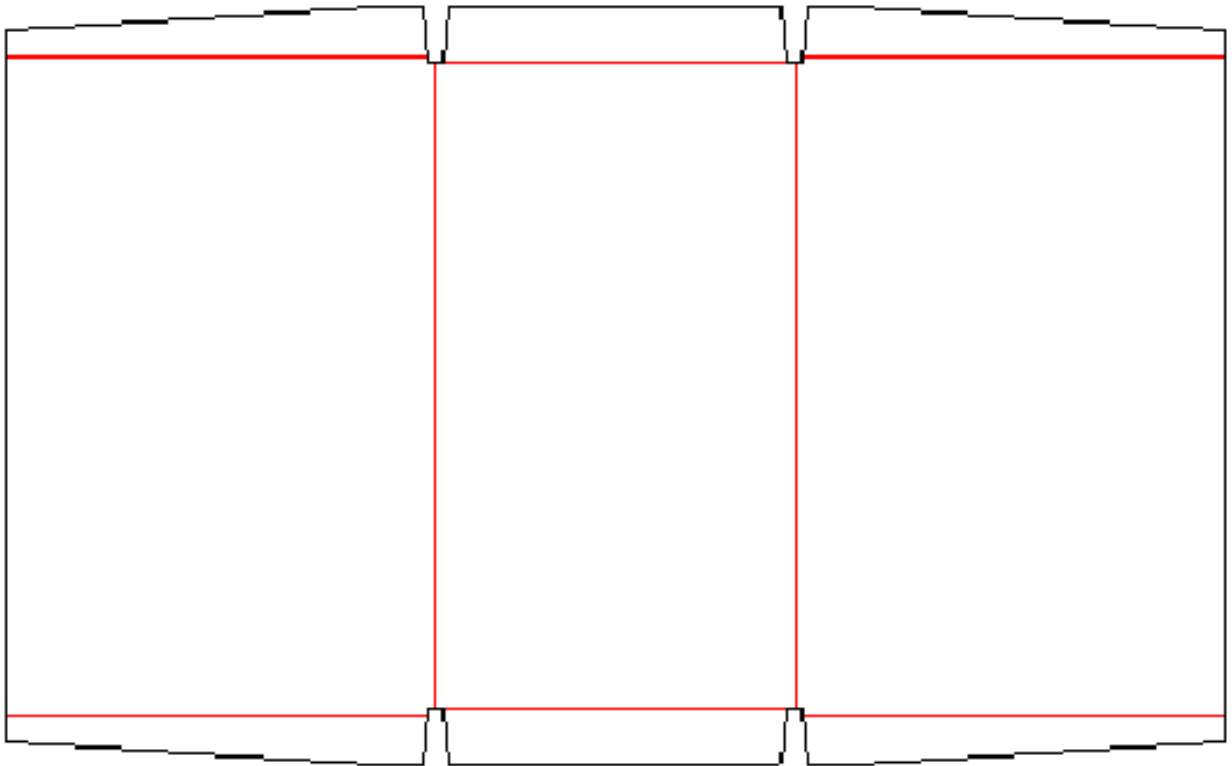
F0459



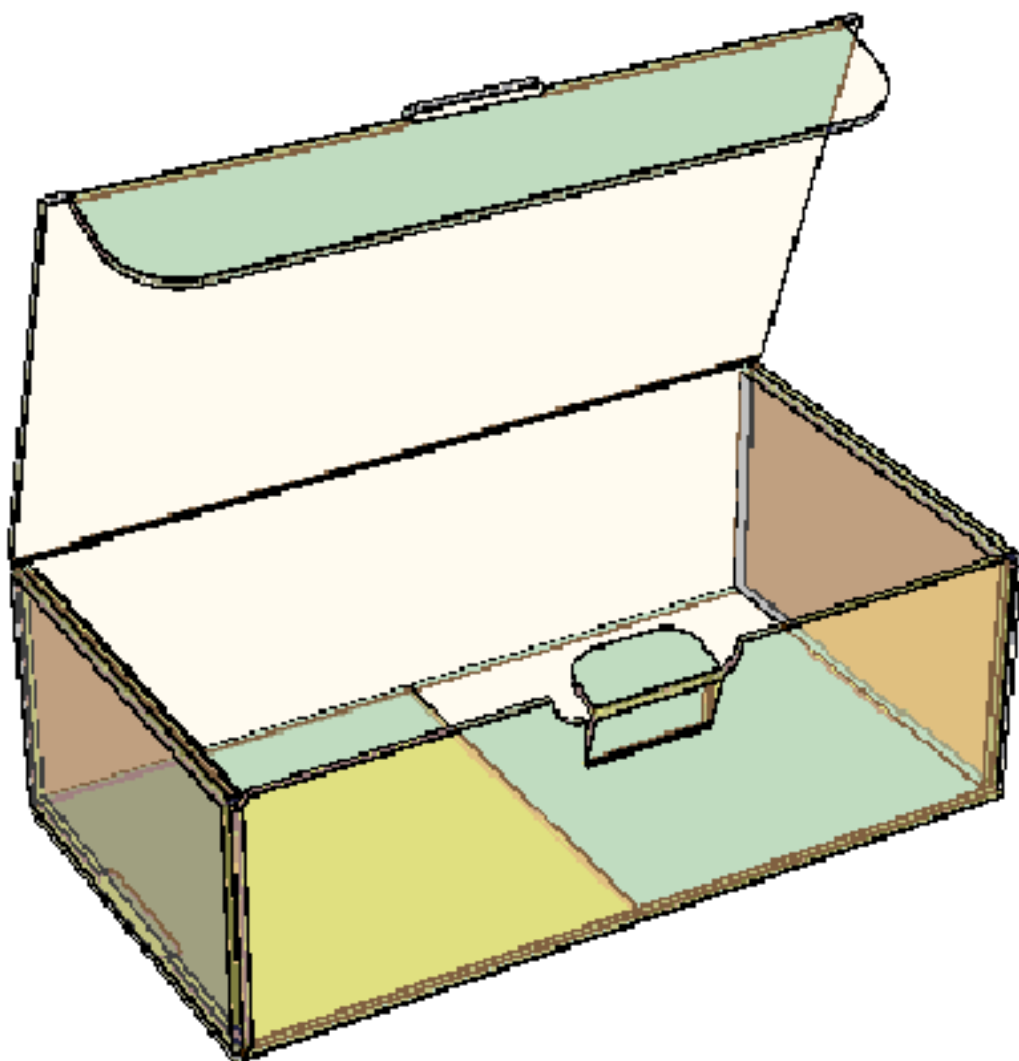


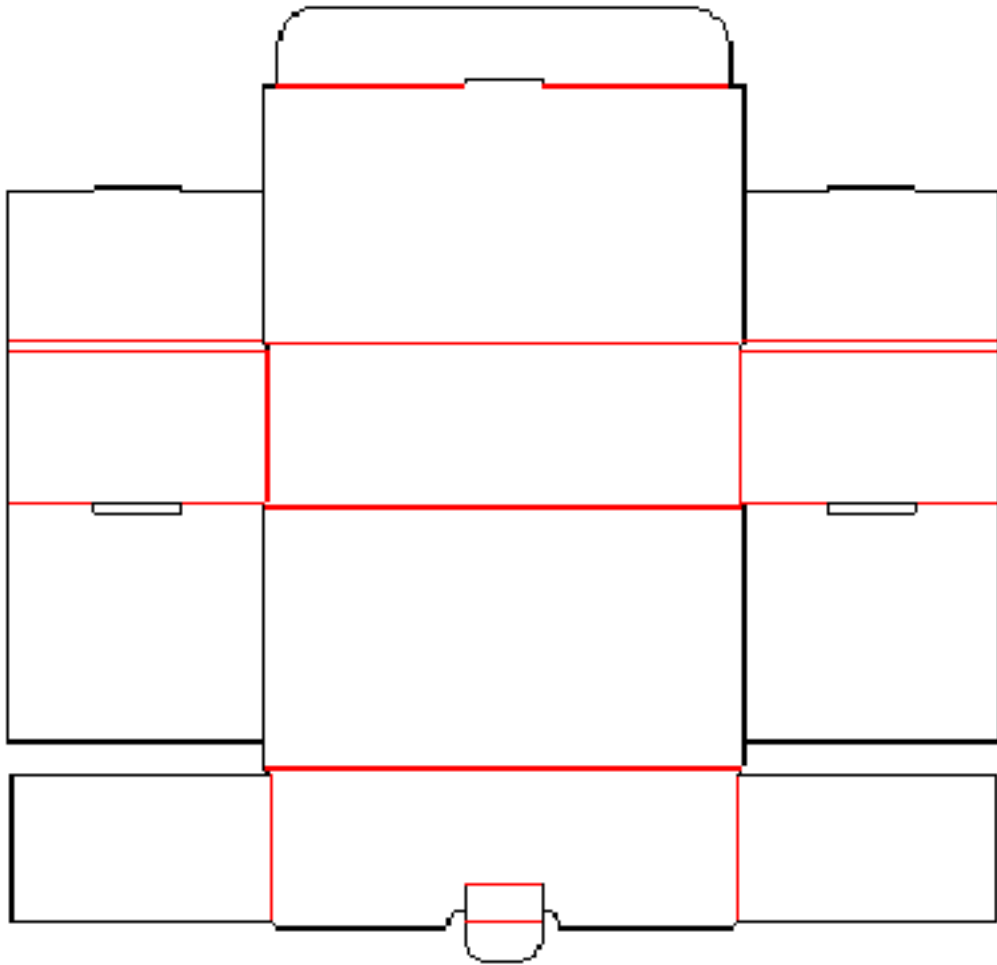
F0460



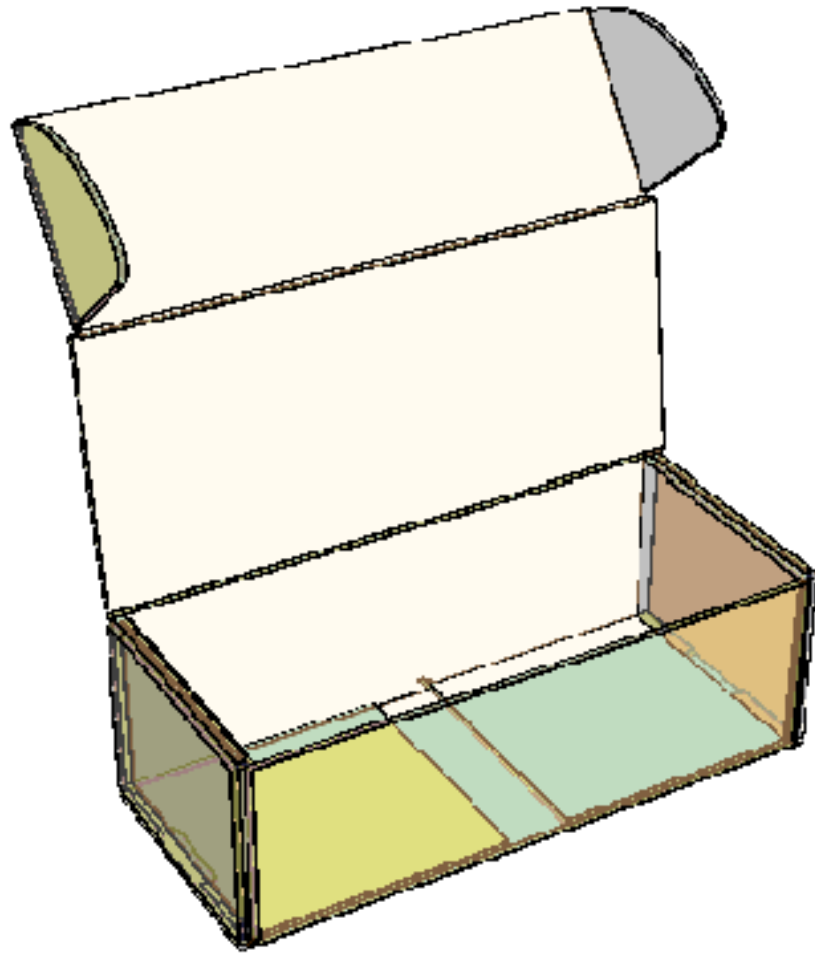


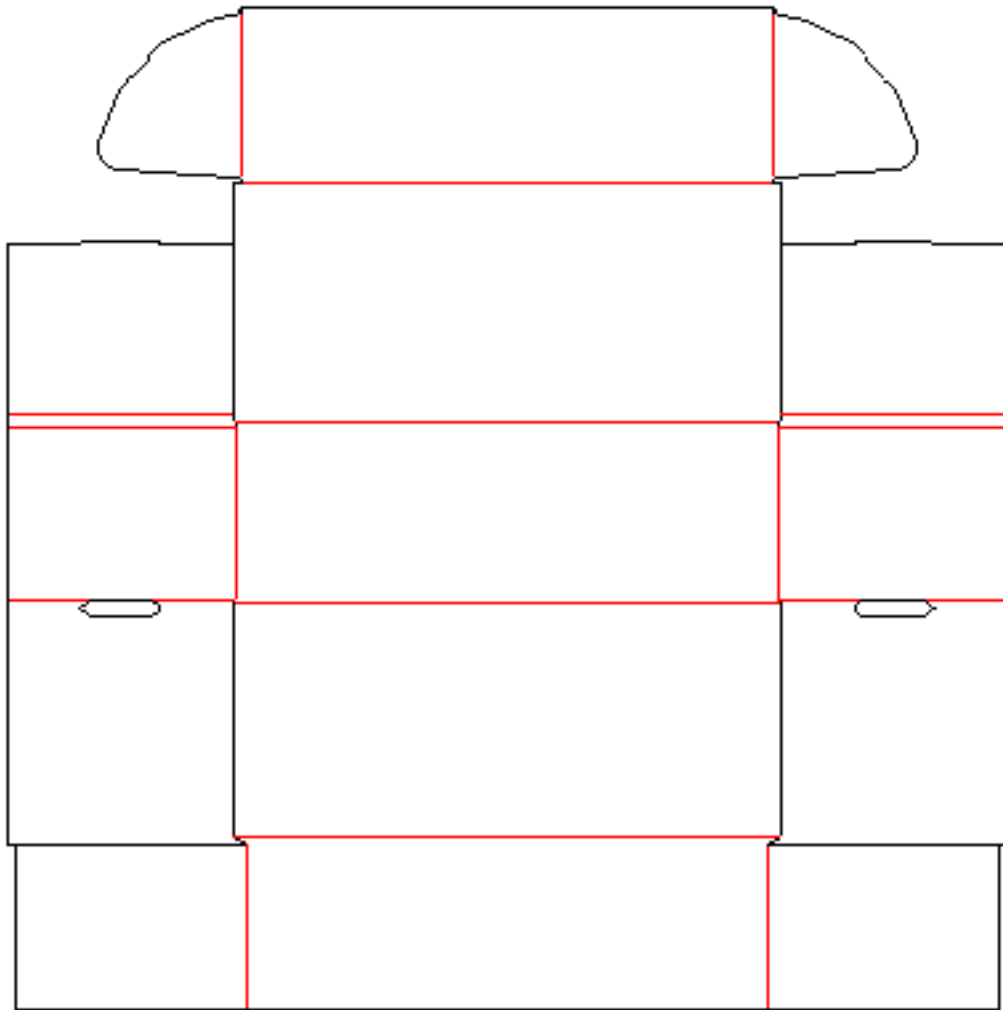
F0470



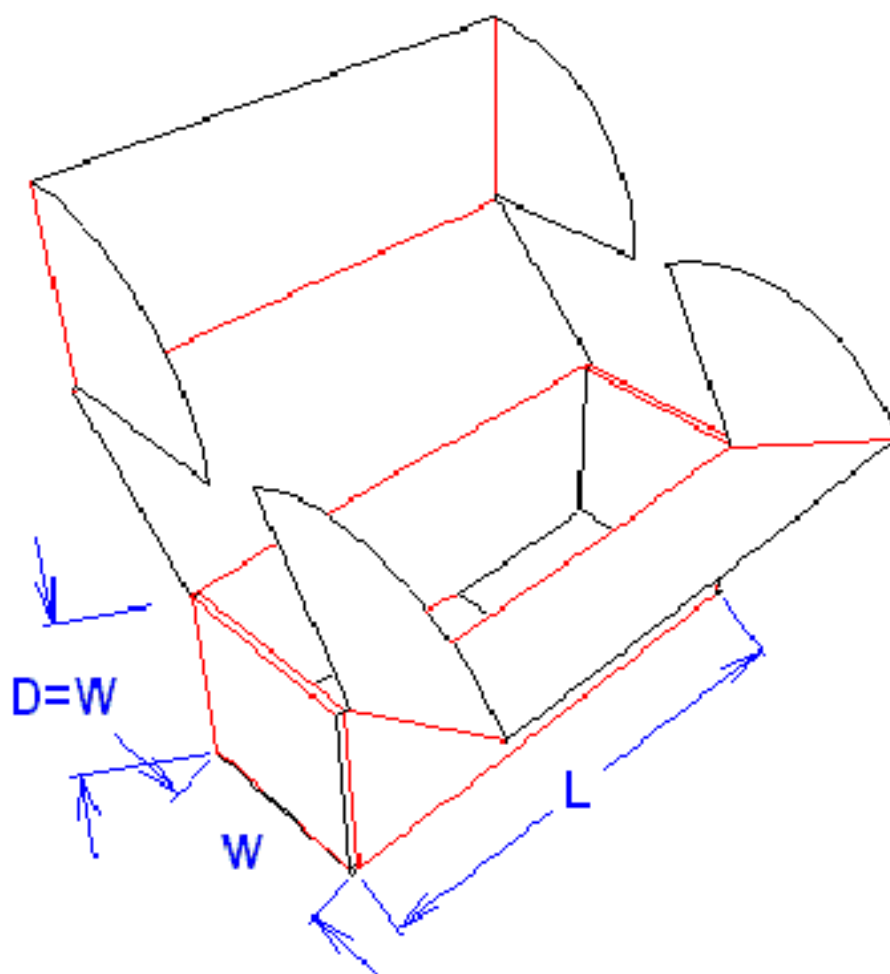


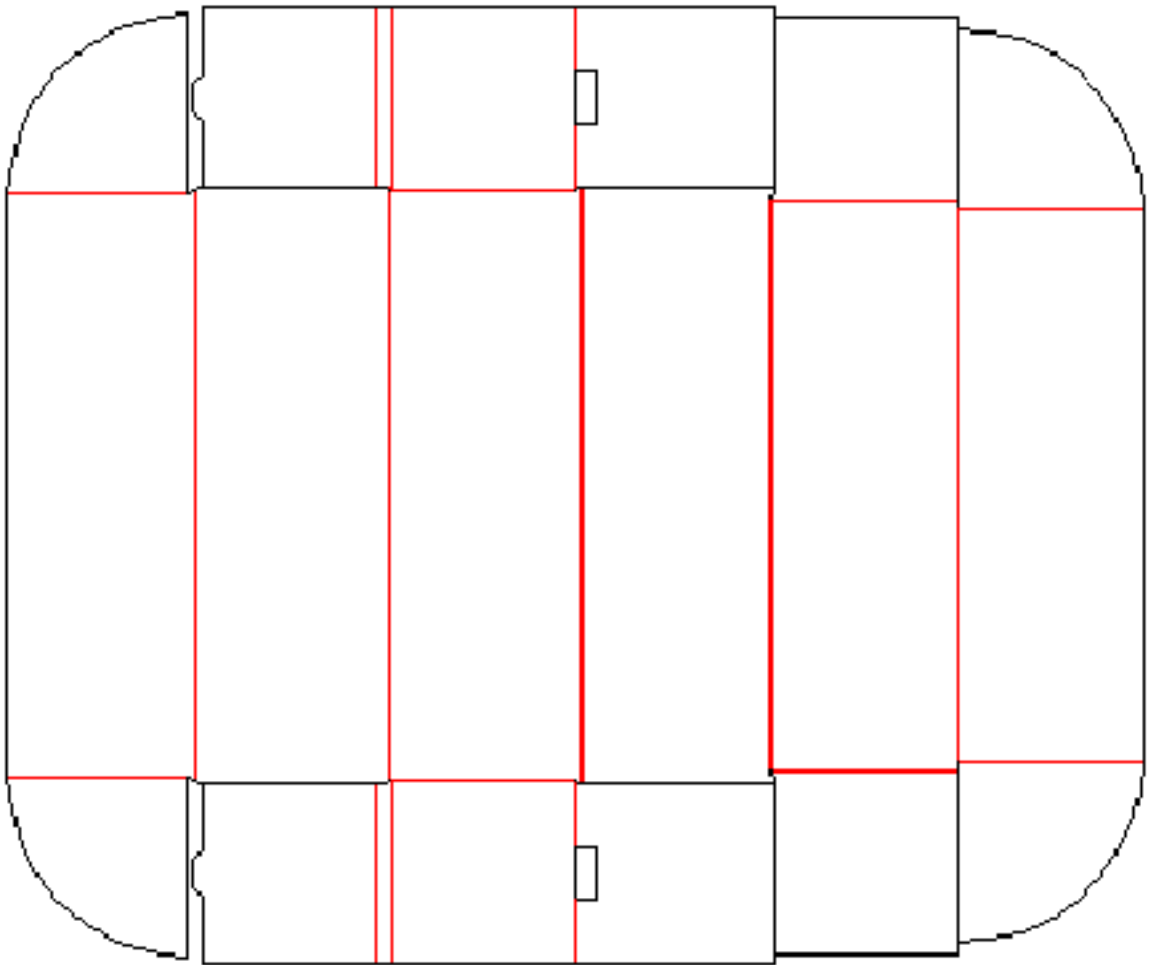
F0471



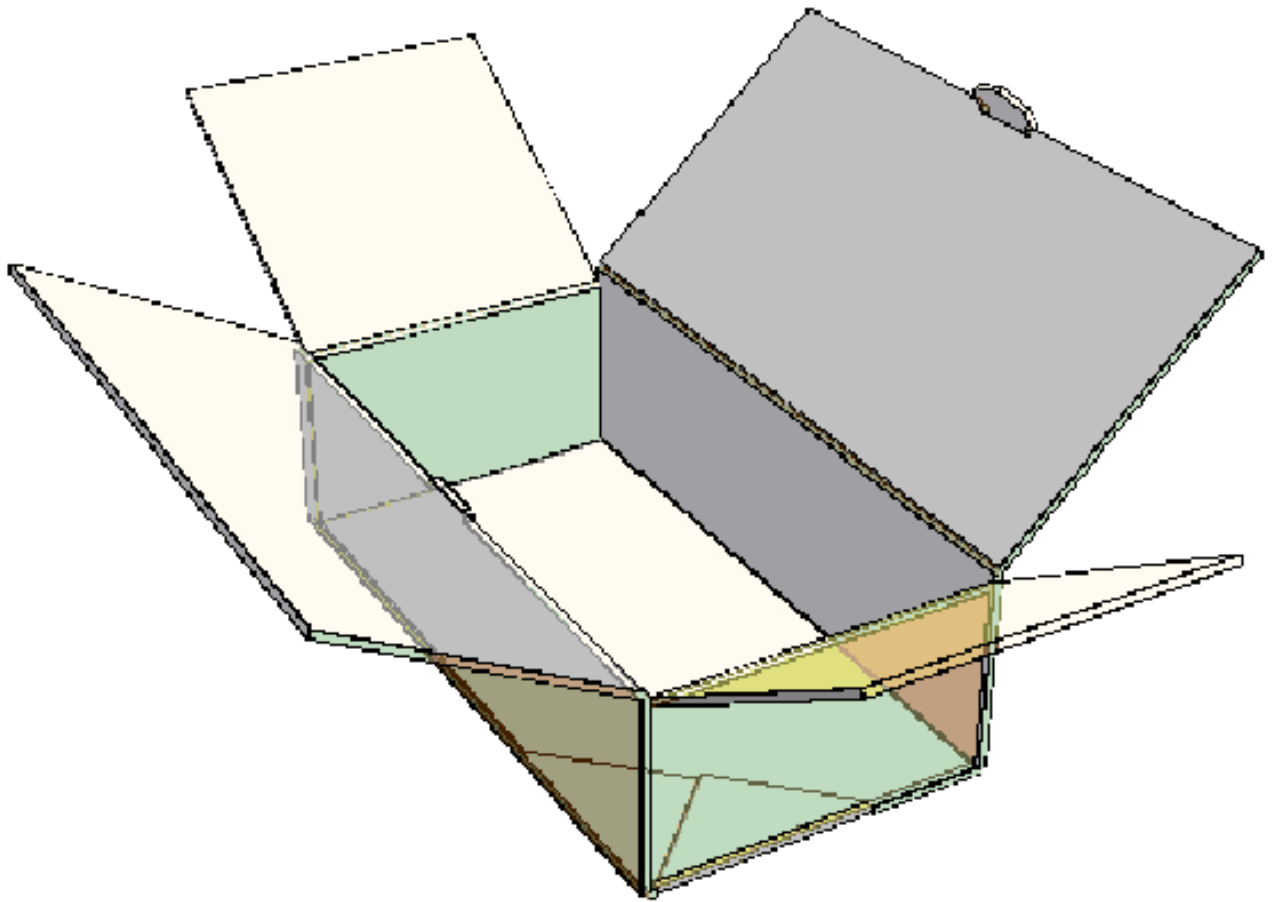


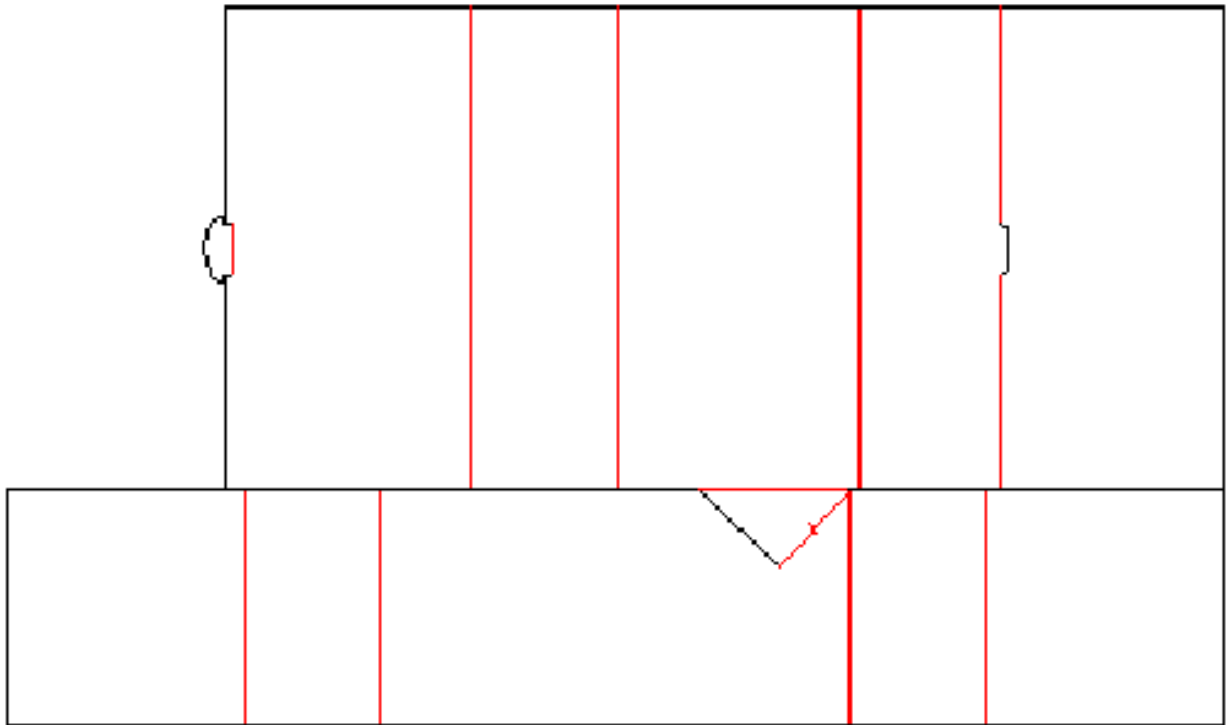
F0472





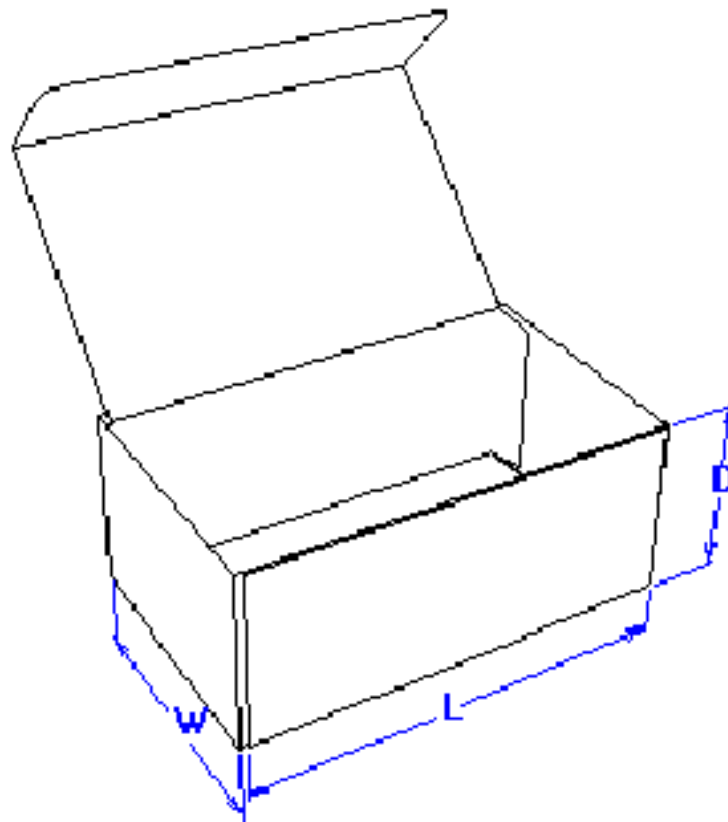
F0473



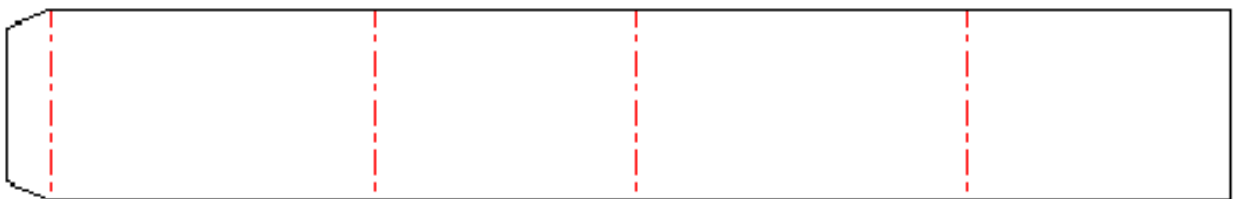
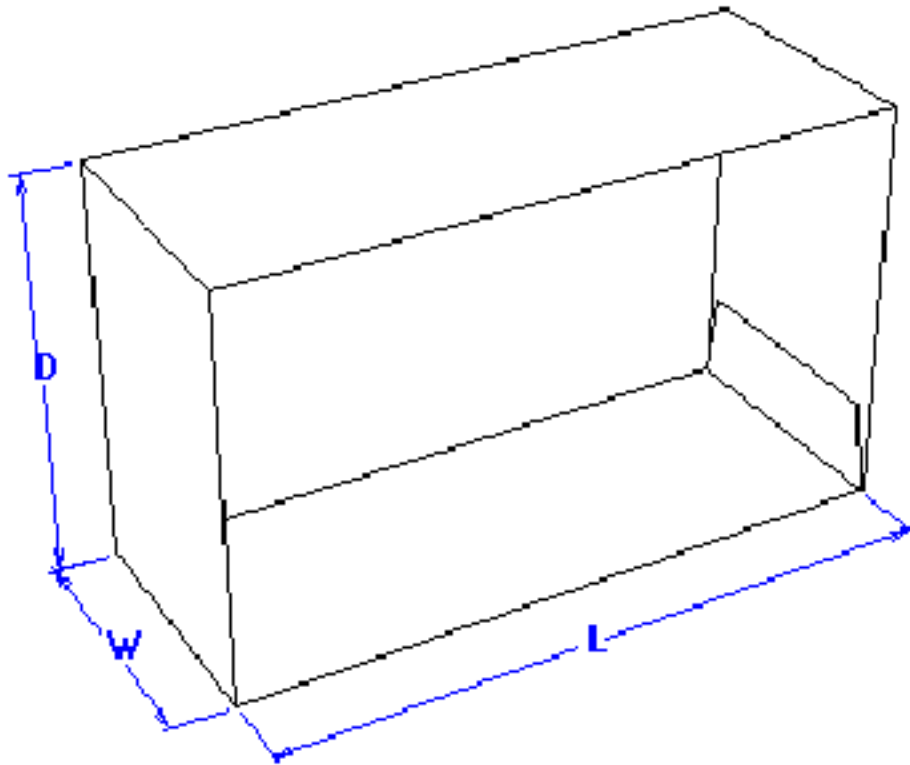


FEFCO Standards - 500 Series

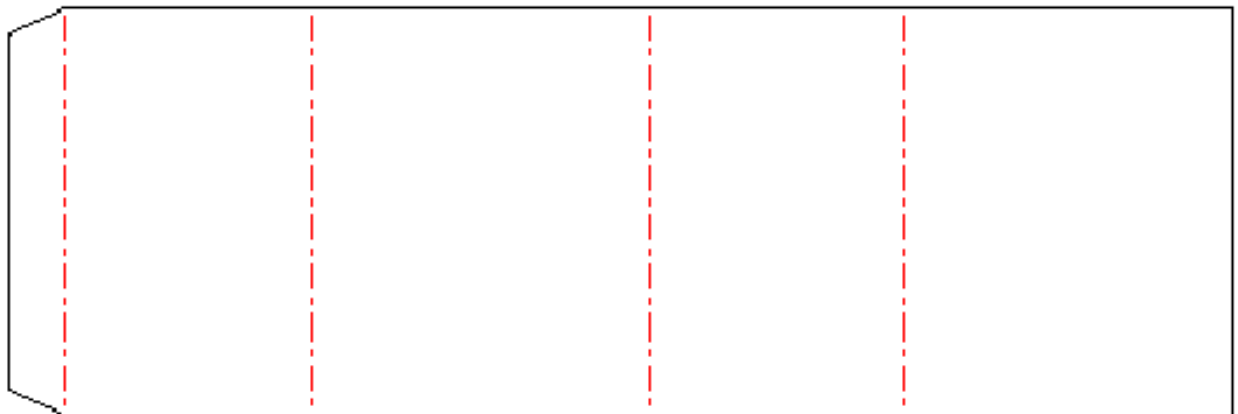
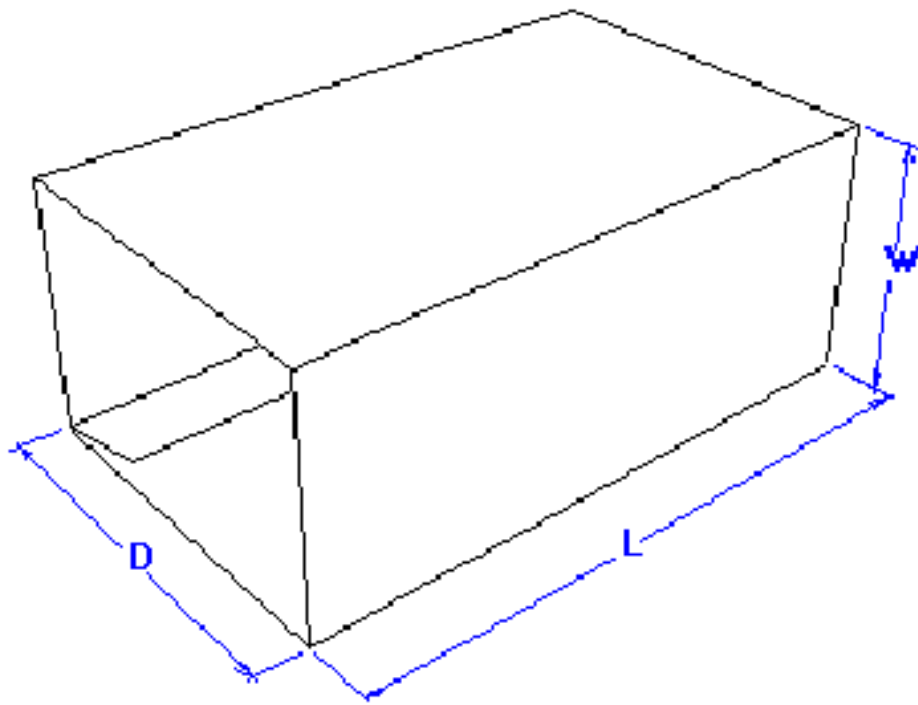
F0501



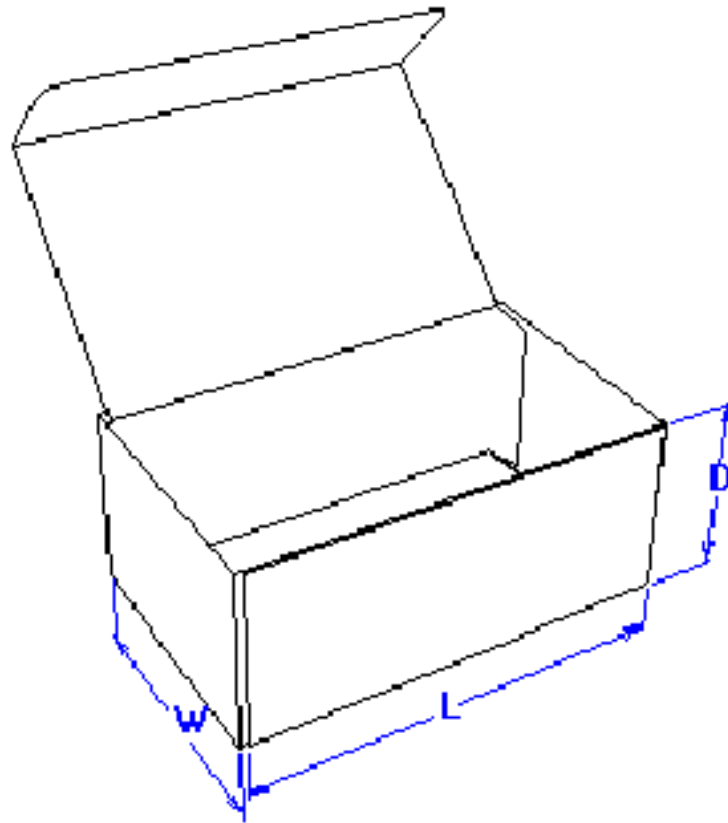
F0502



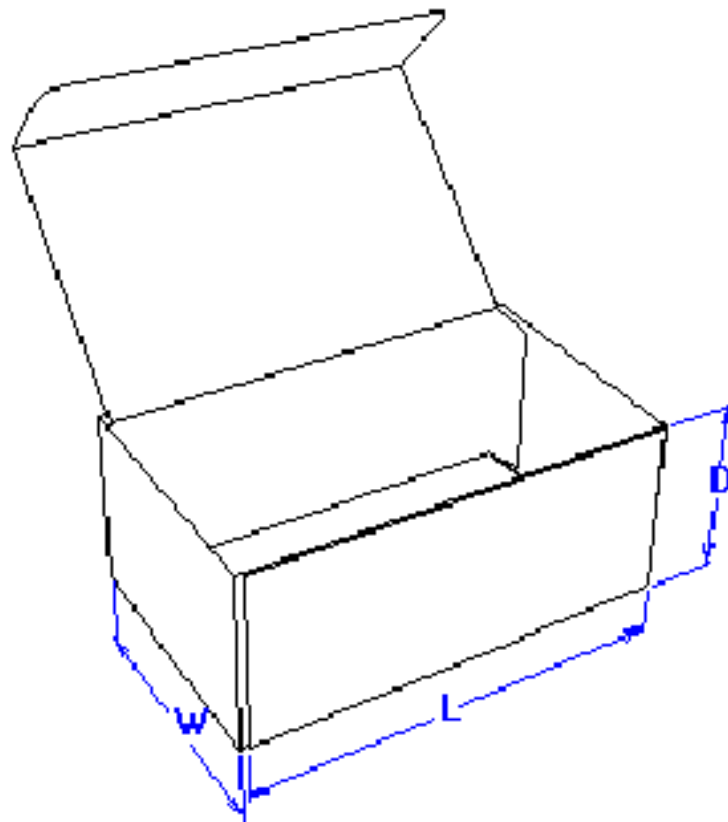
F0503



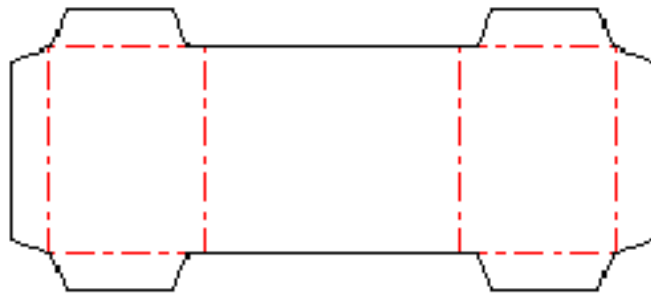
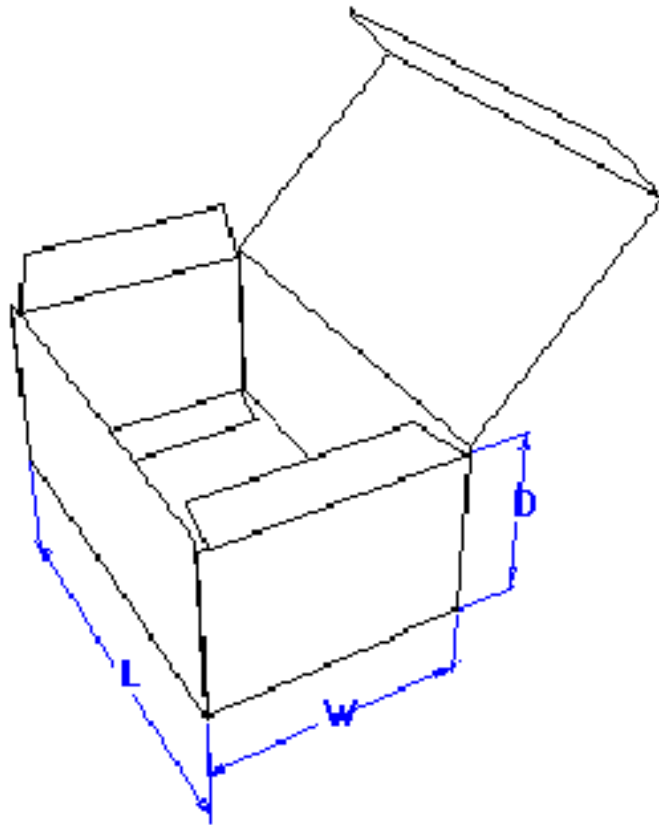
F0510 Body



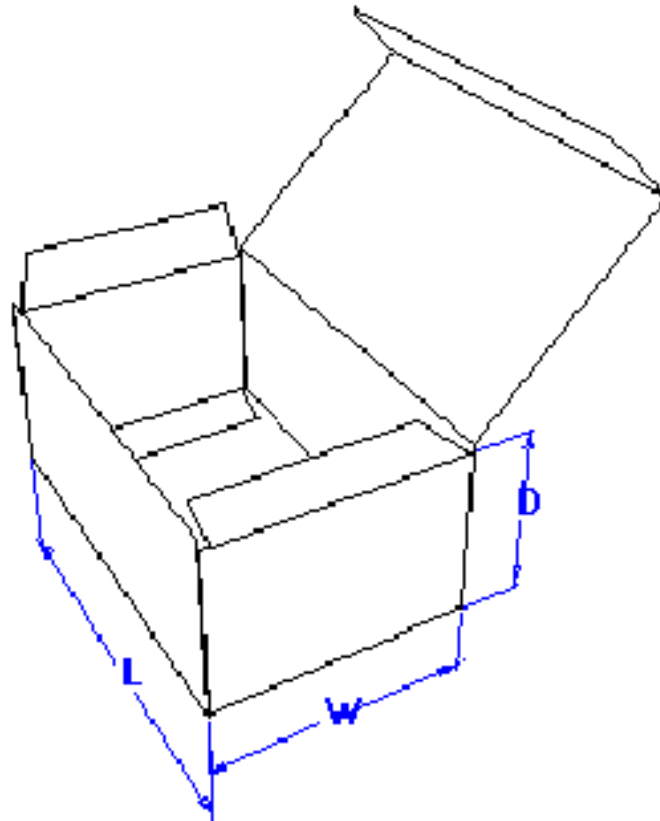
F0510 End Panel

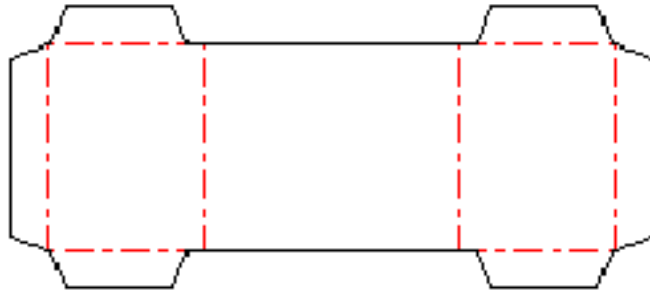


F0511 Body

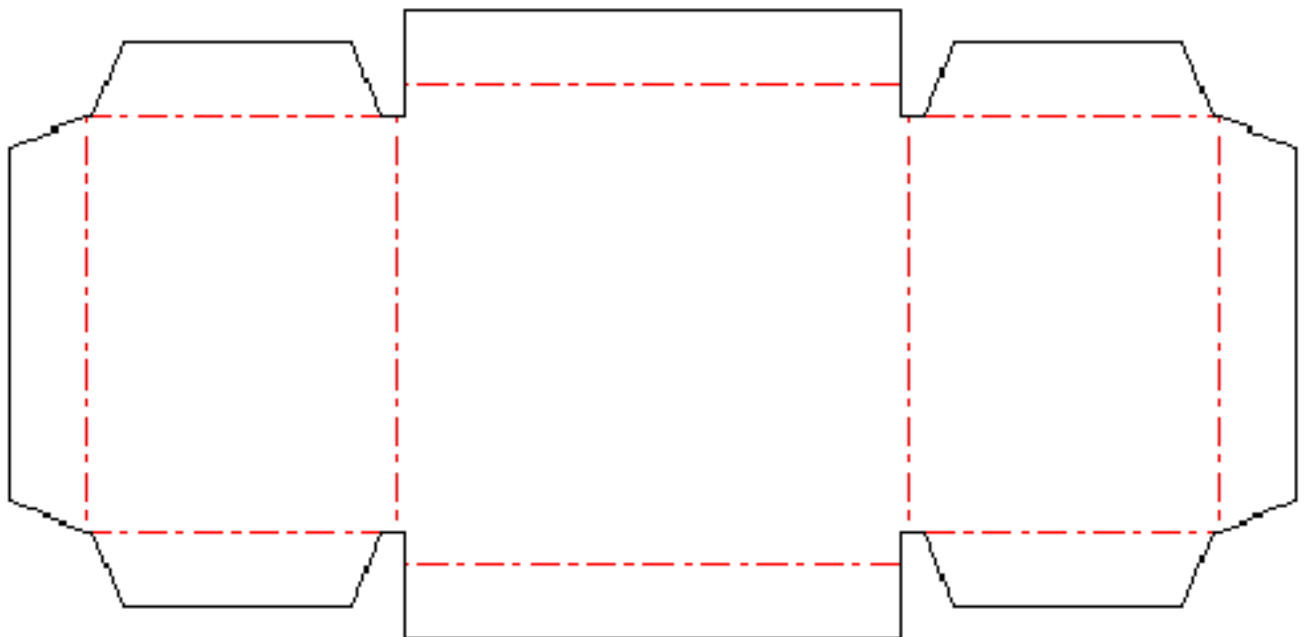
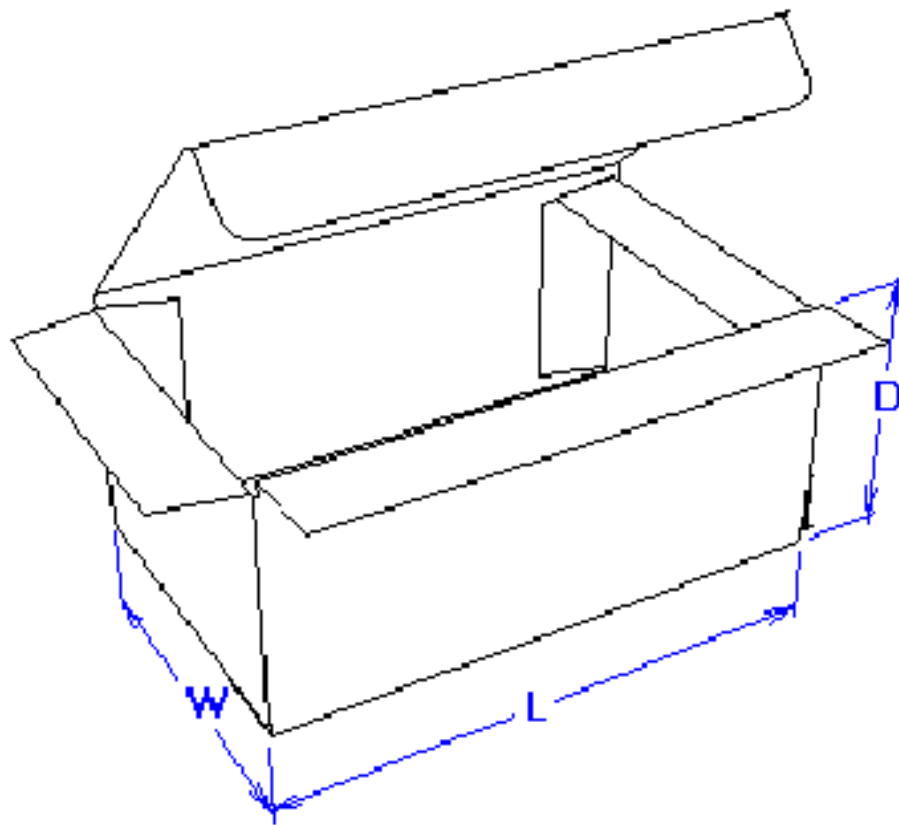


F0511 End Panel

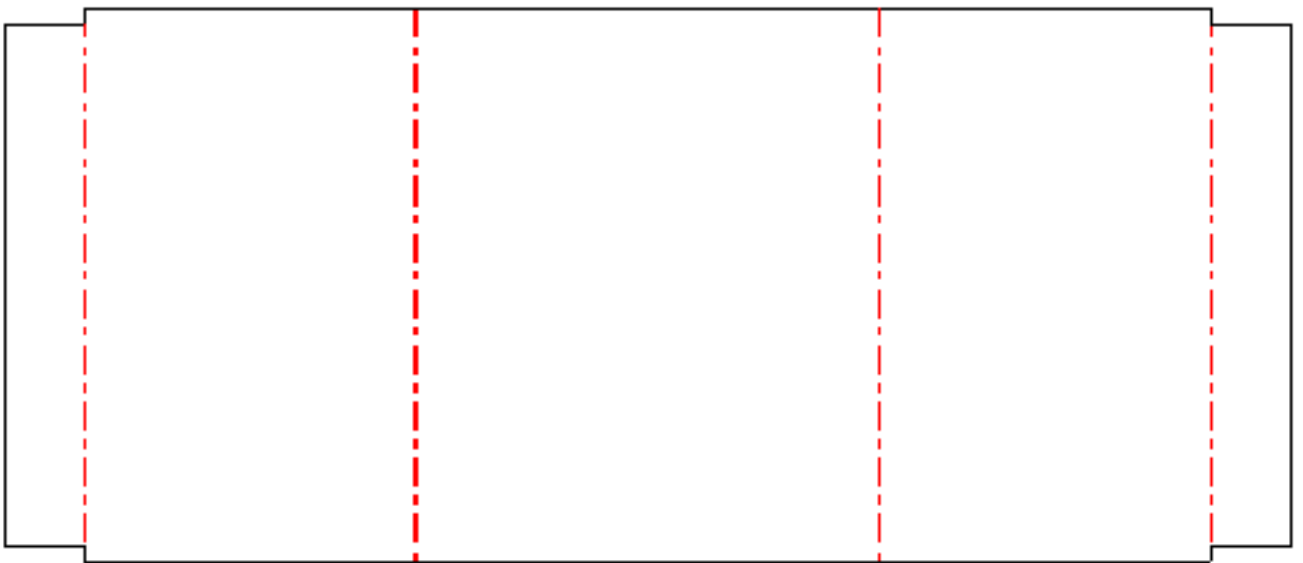
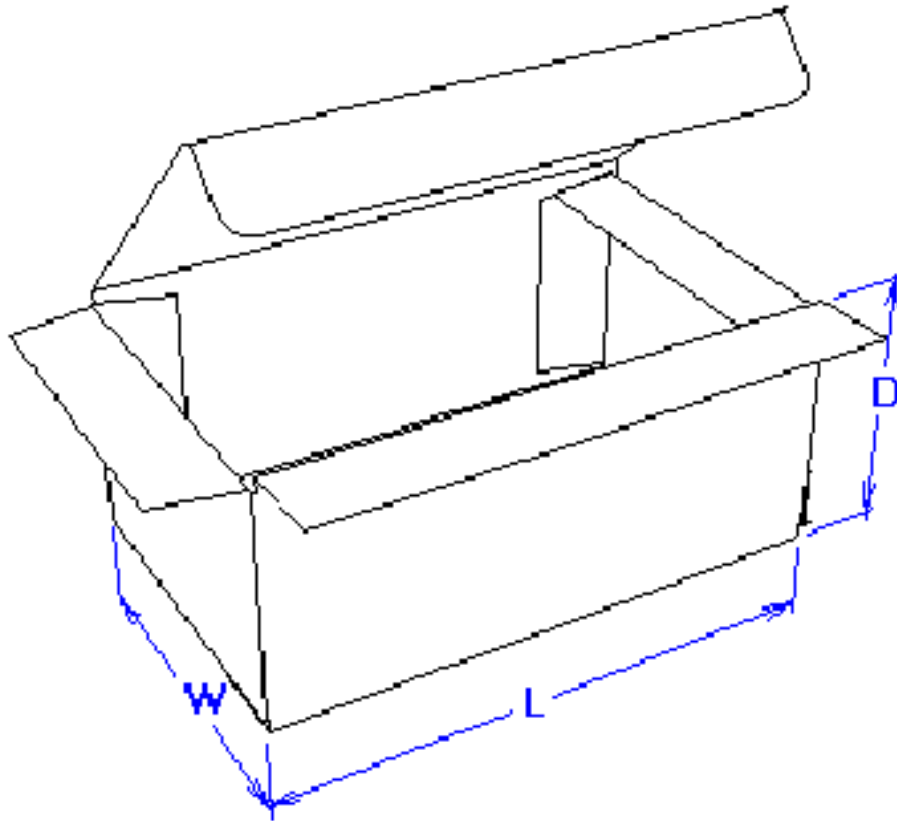




F0512 Body

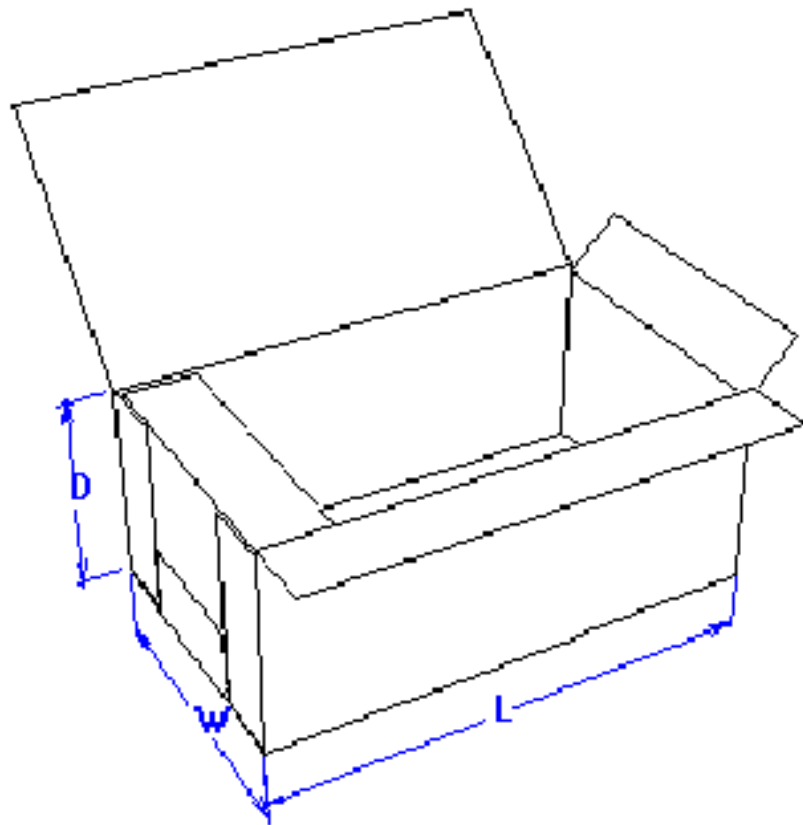


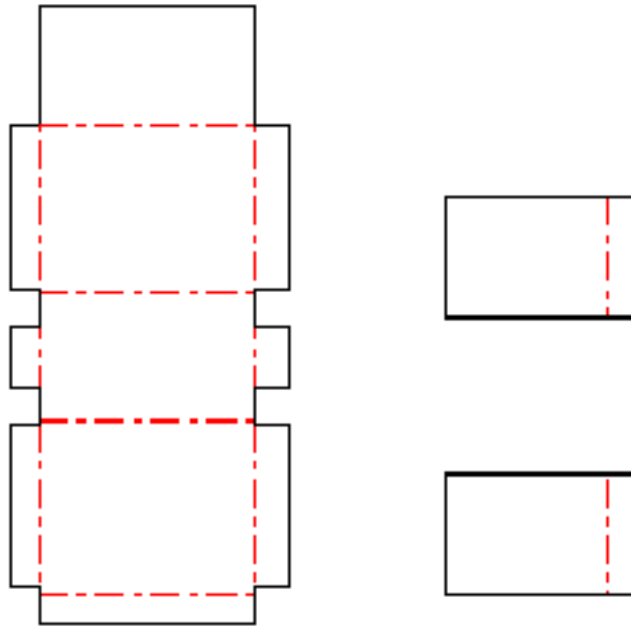
F0512 End Panel



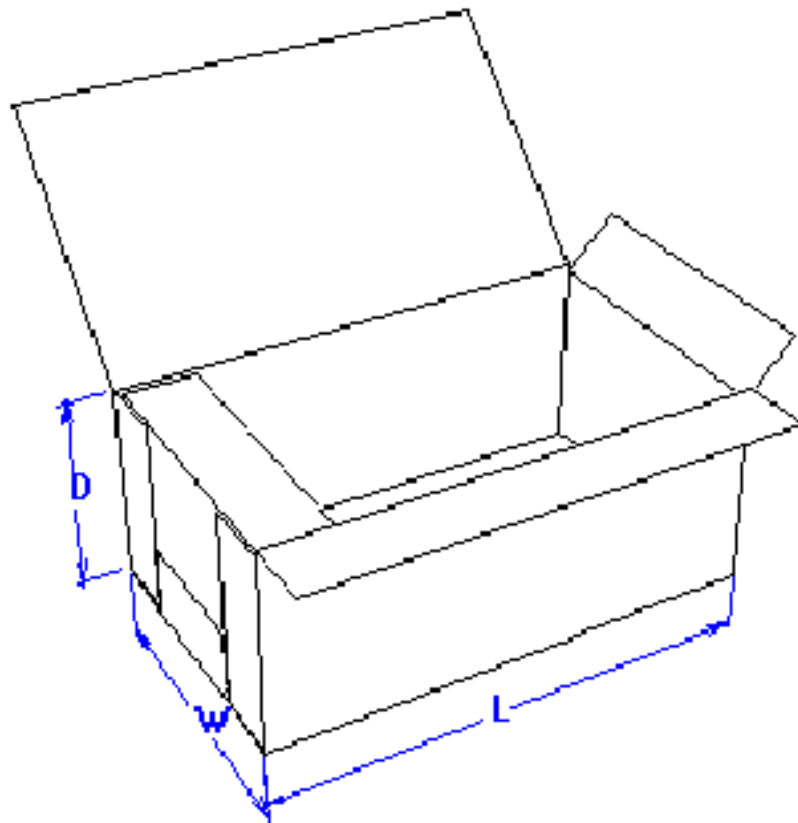
FEFCO Standards - 600 Series

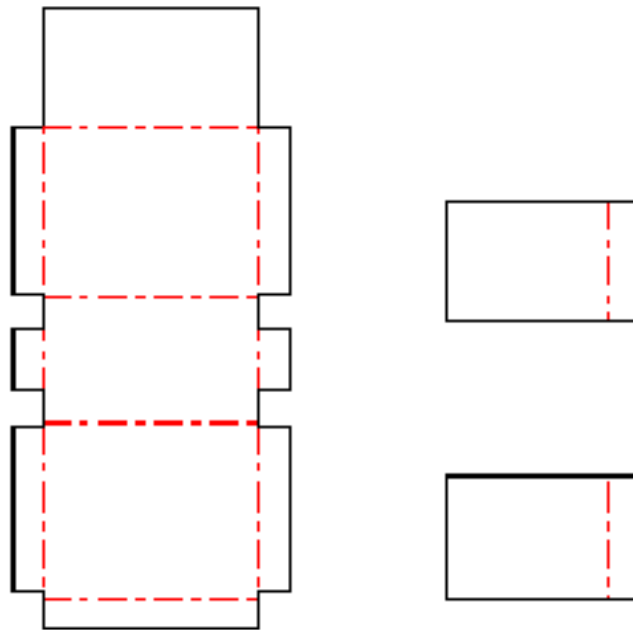
F0601 Body



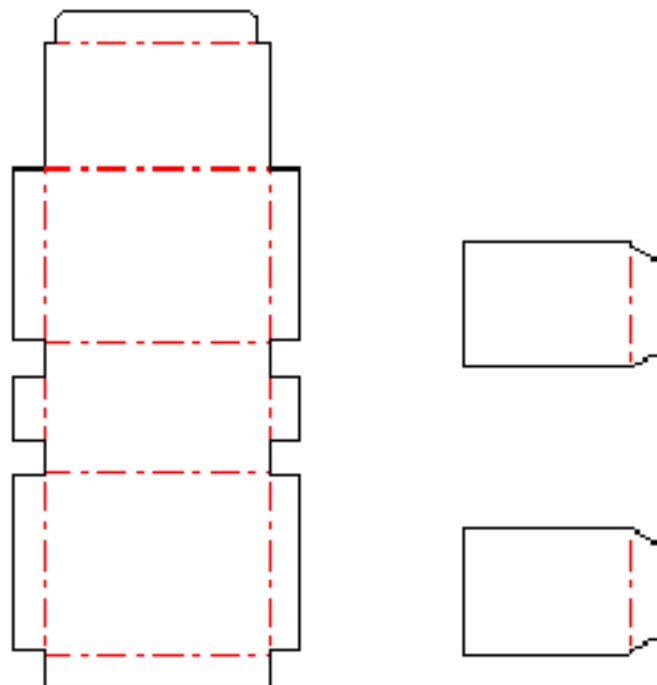
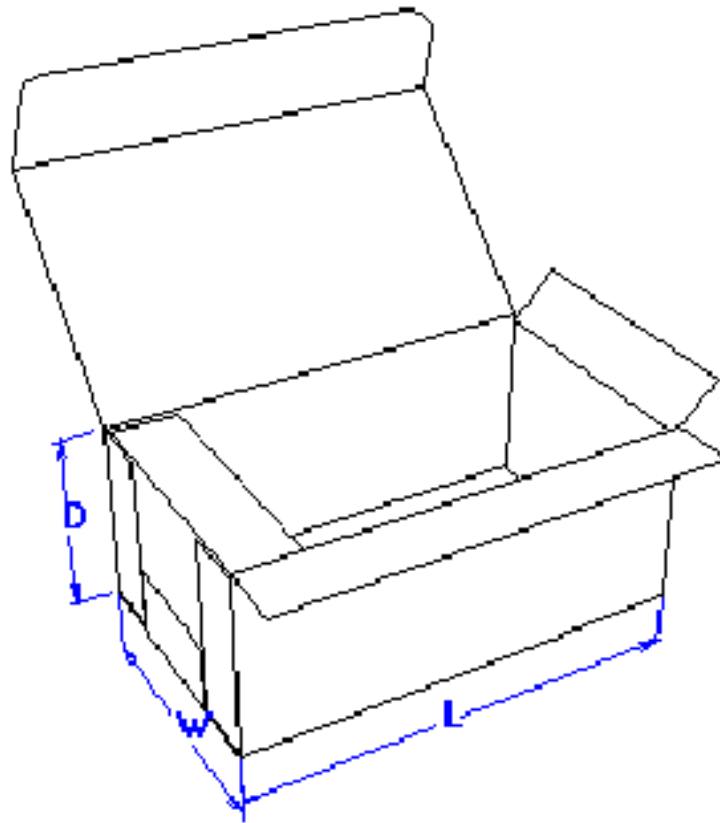


F0601 End Panel

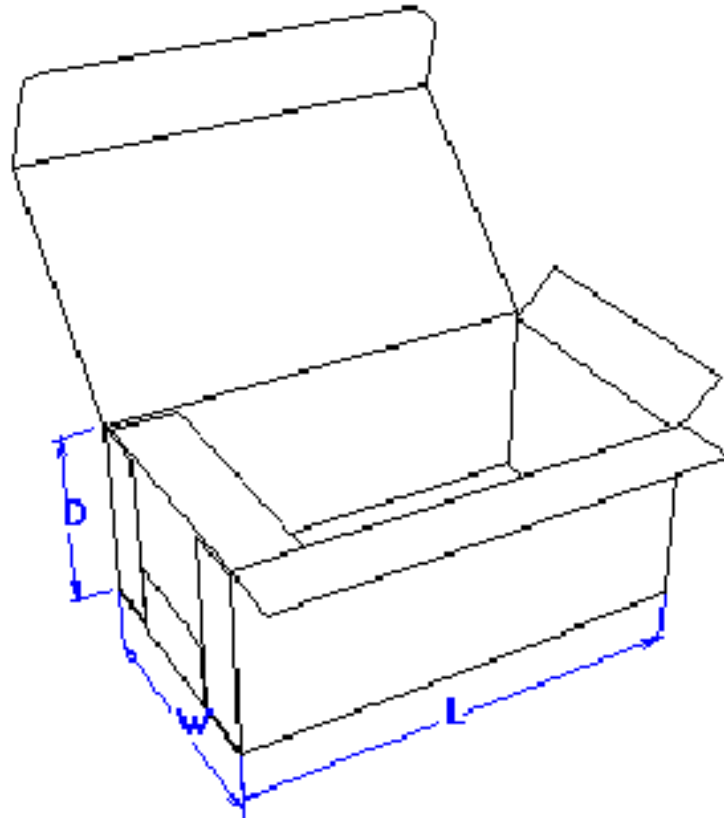


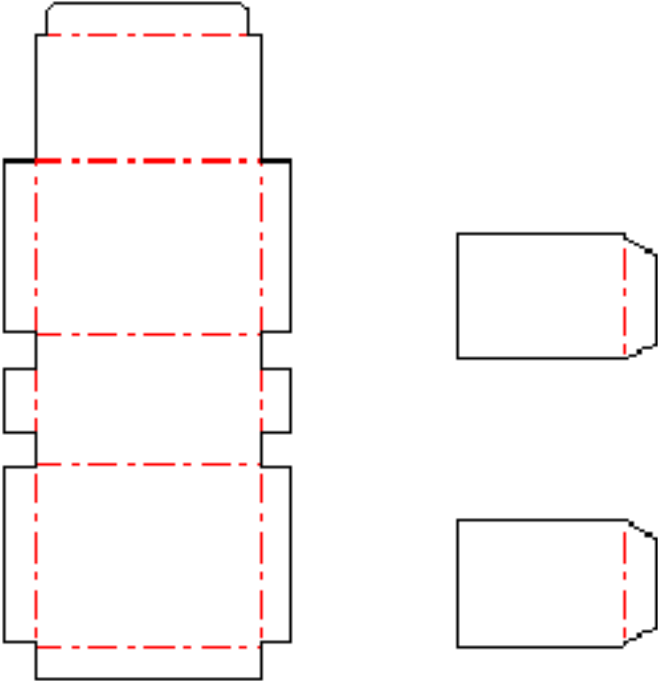


F0602 Body

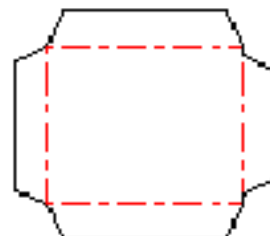
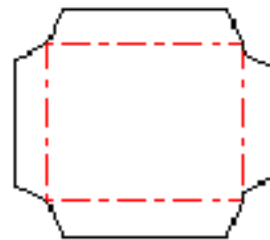
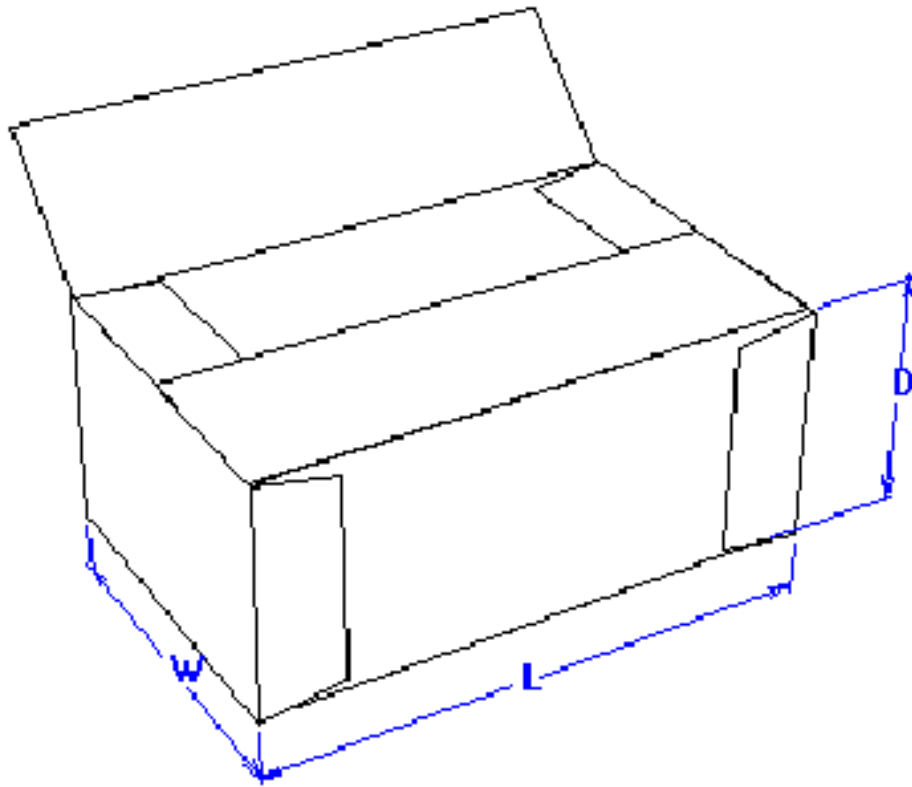


F0602 End Panel

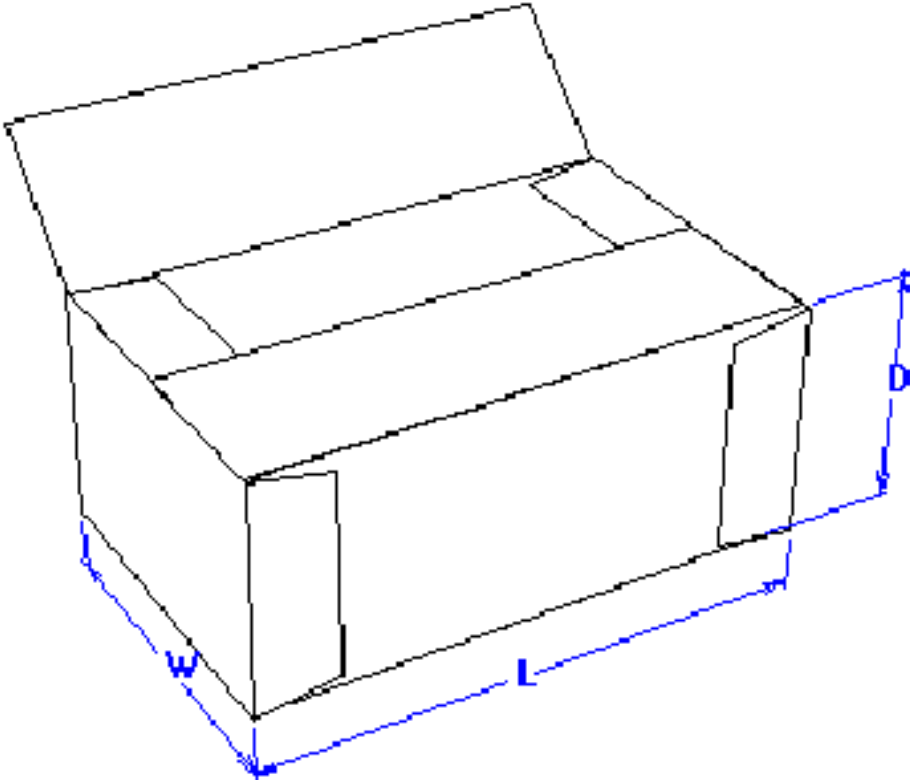


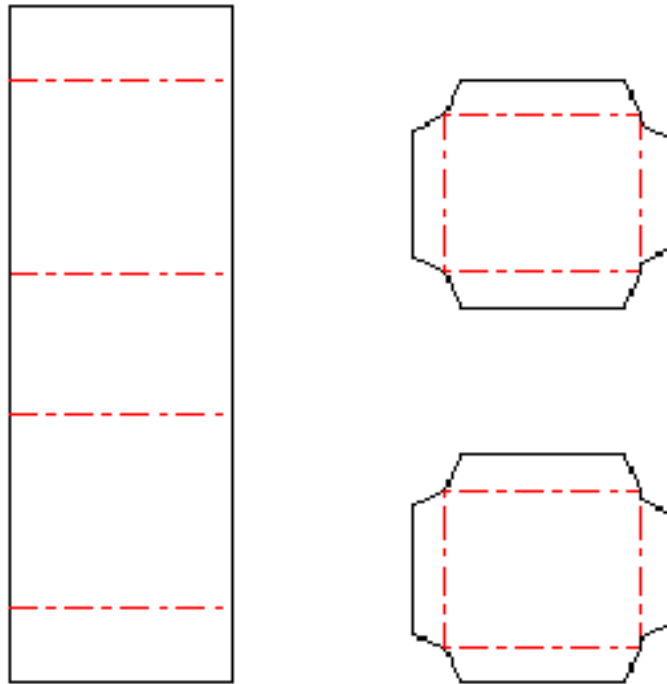


F0605 Body

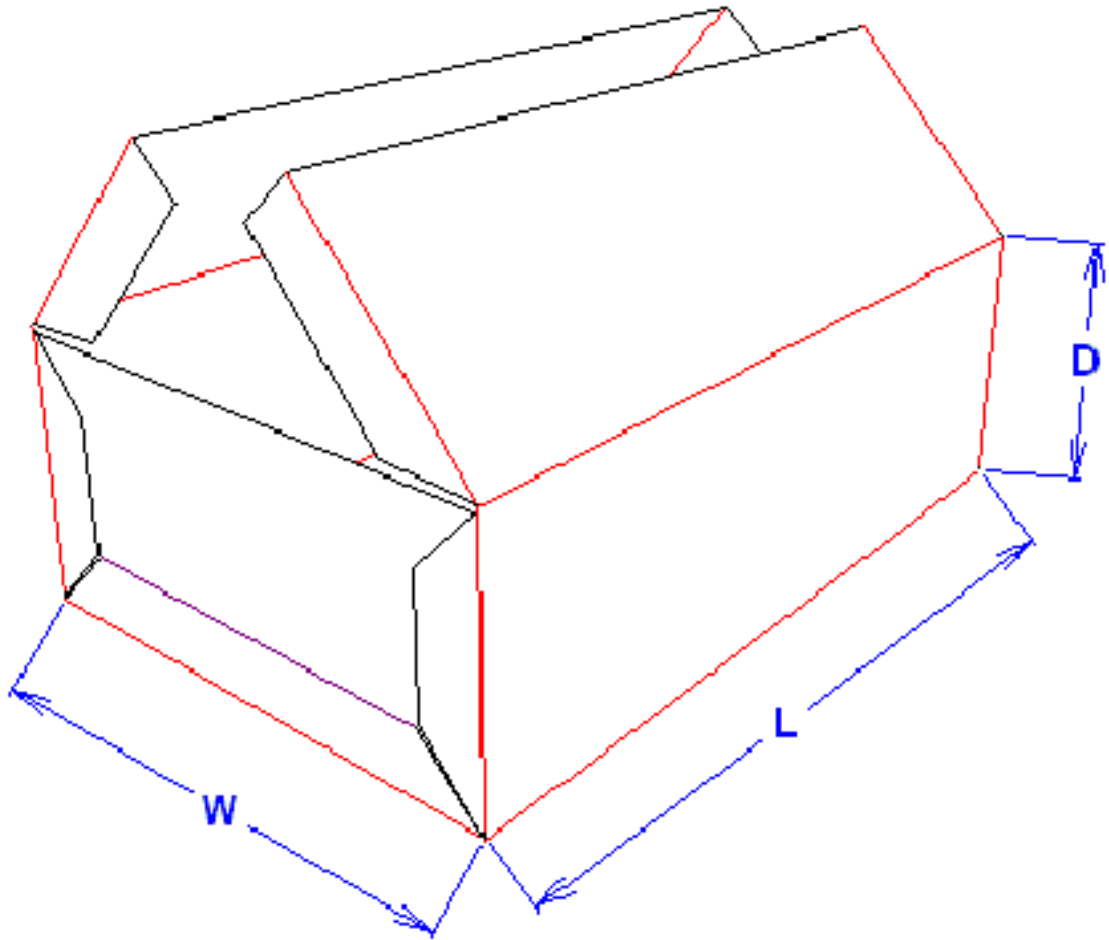


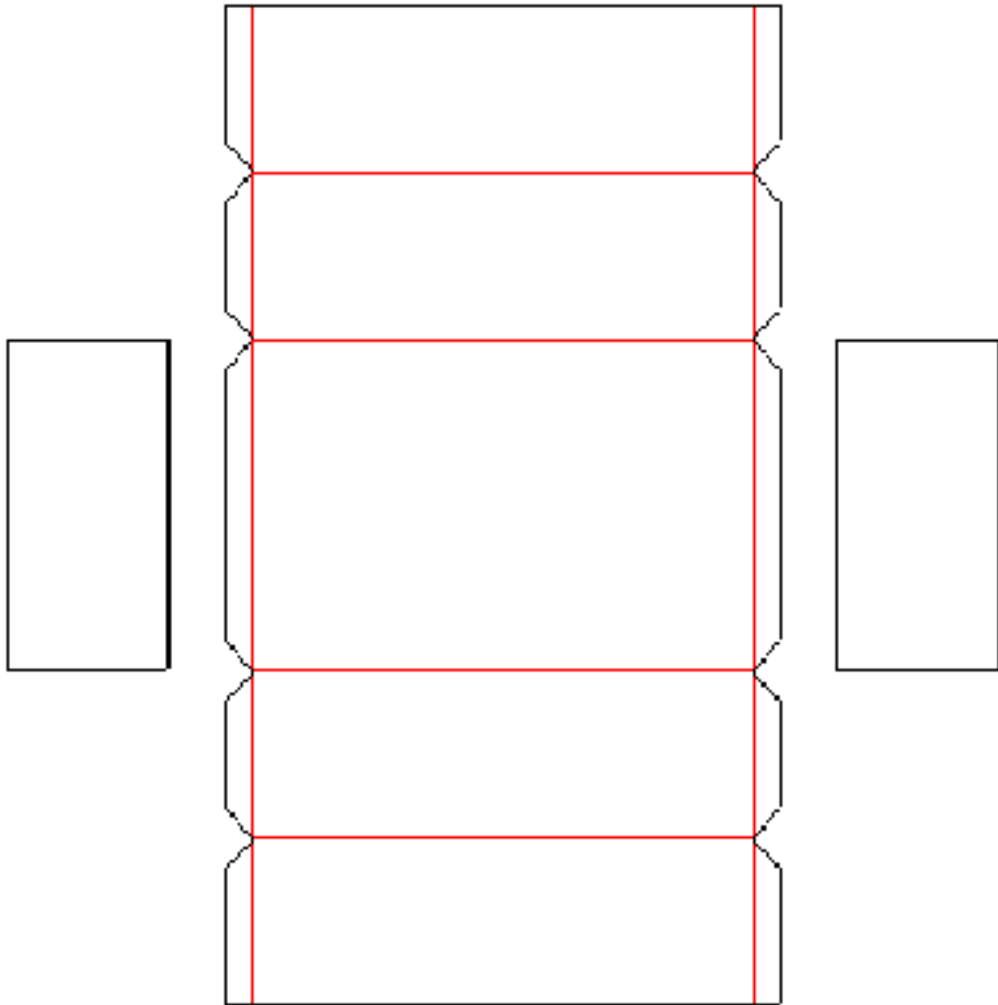
F0605 End Panel



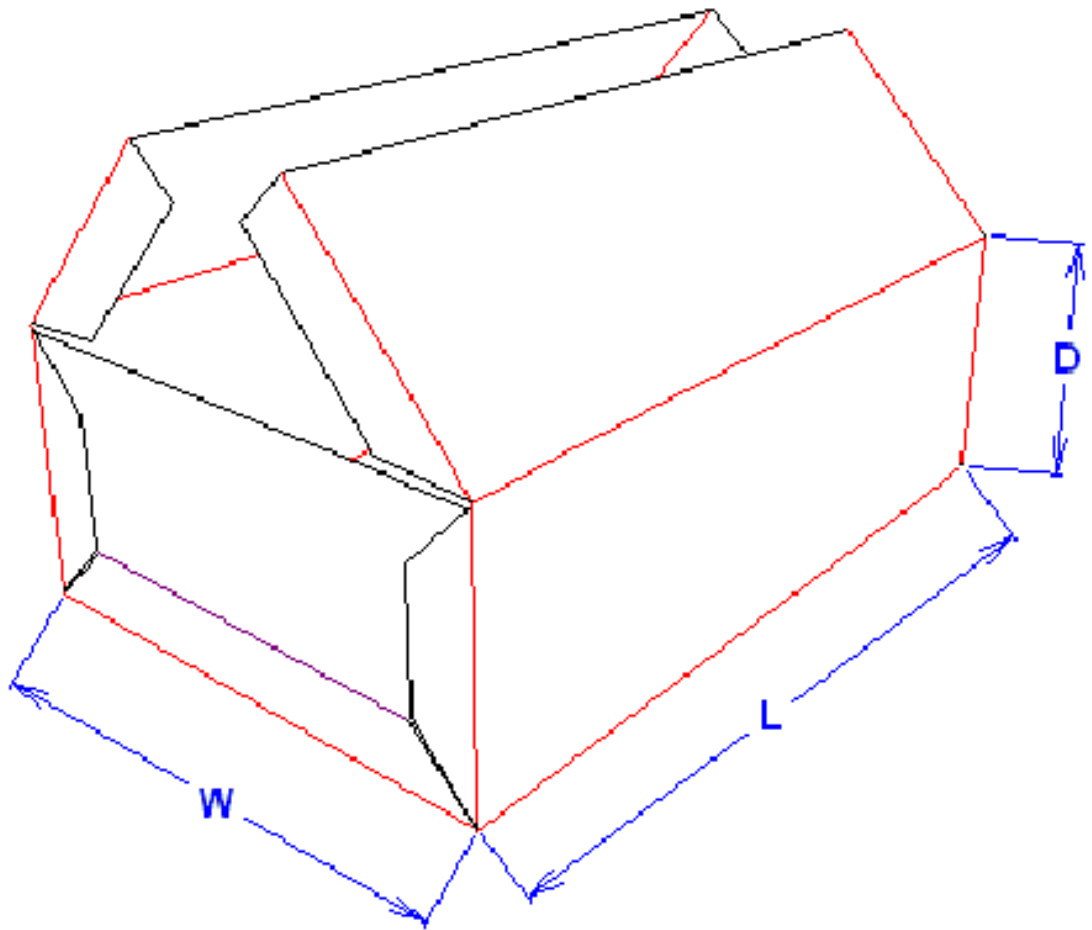


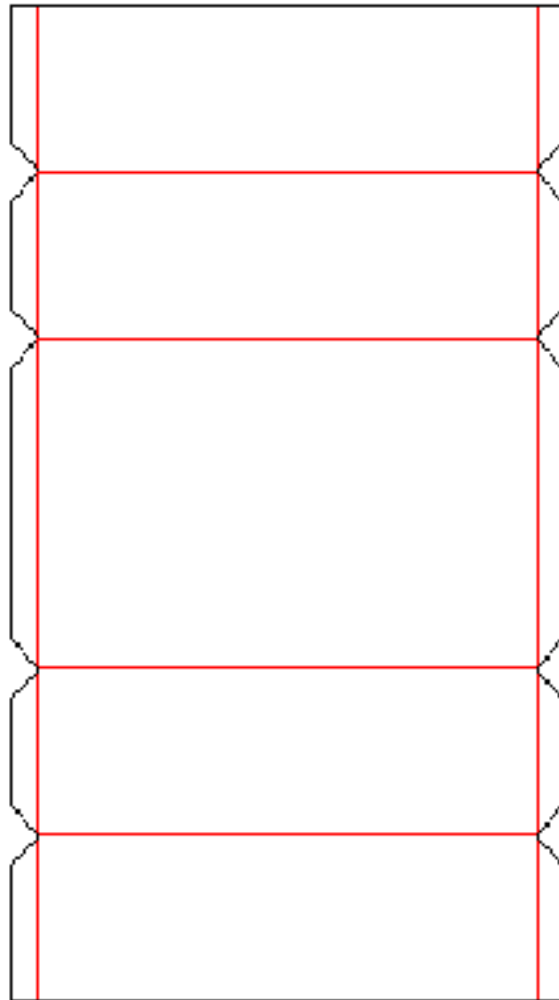
F0606



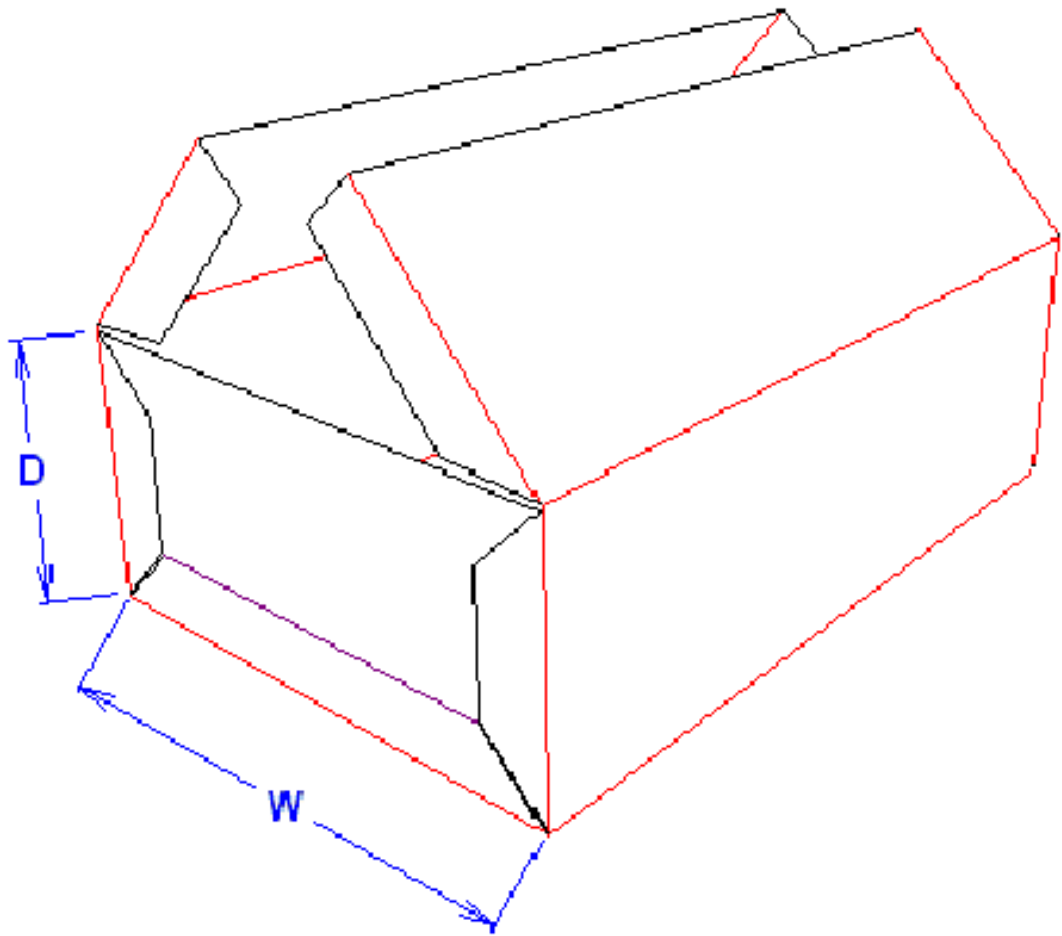


F0606a



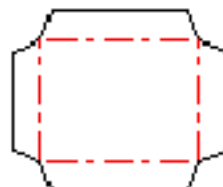
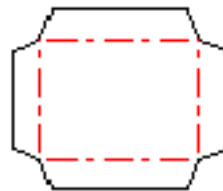
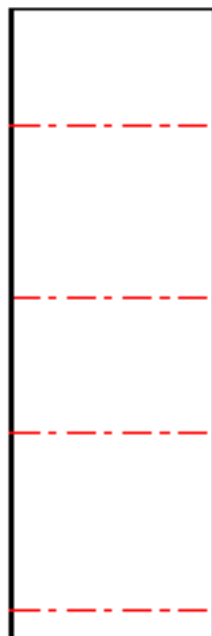
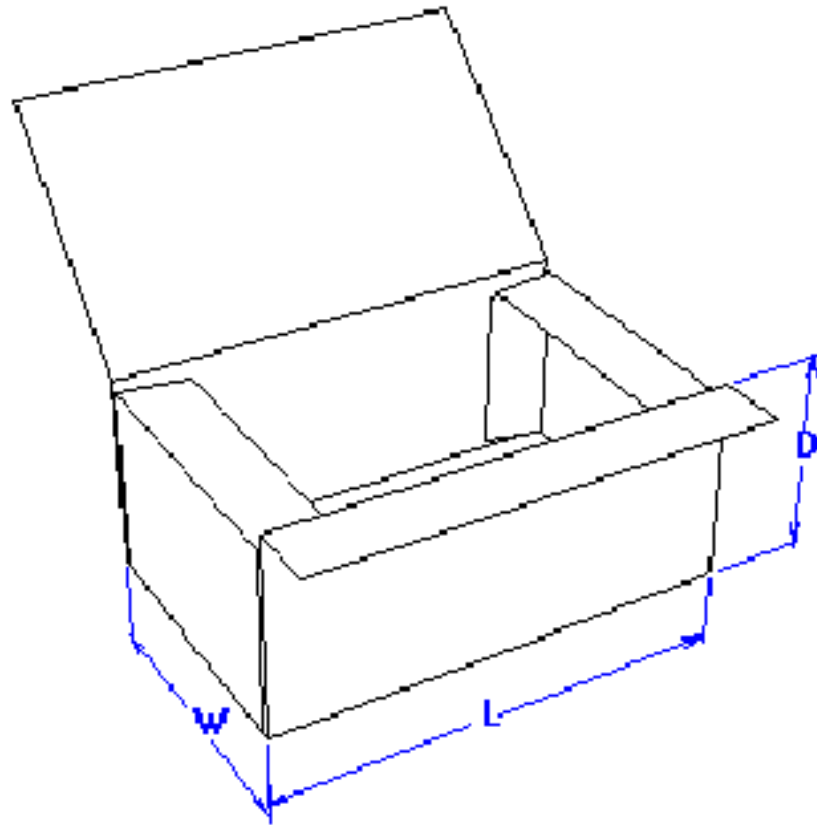


F0606b

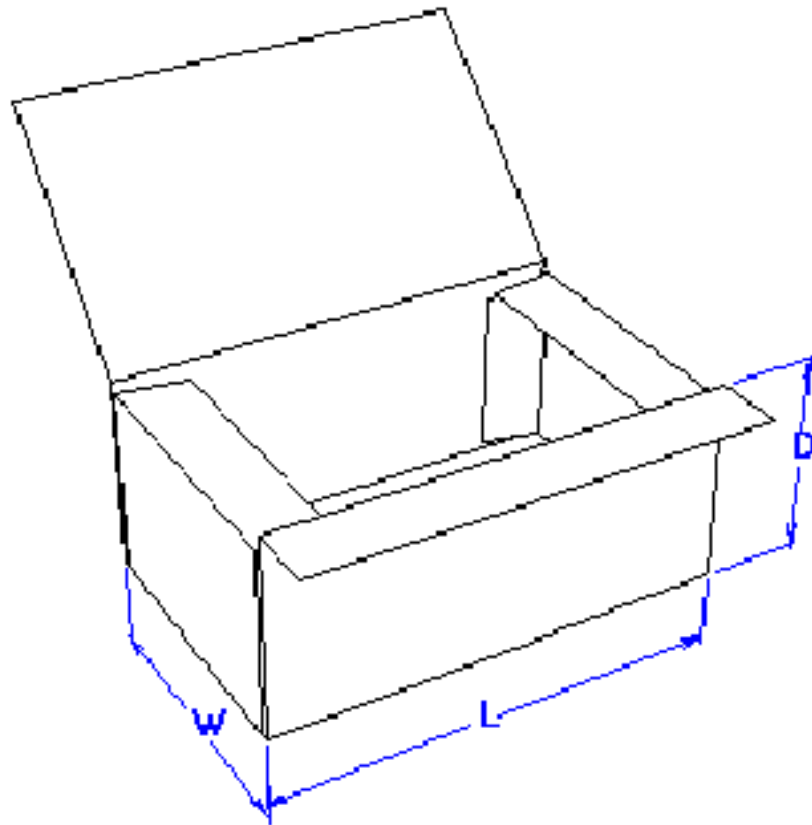


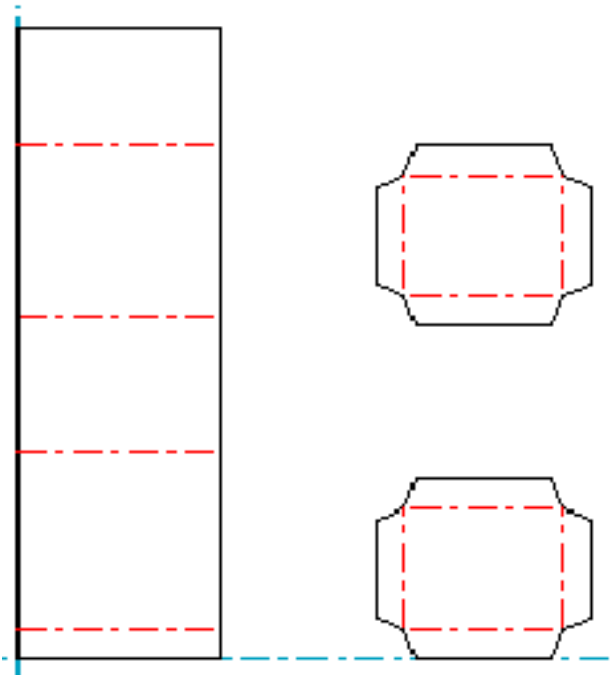


F0607 Body

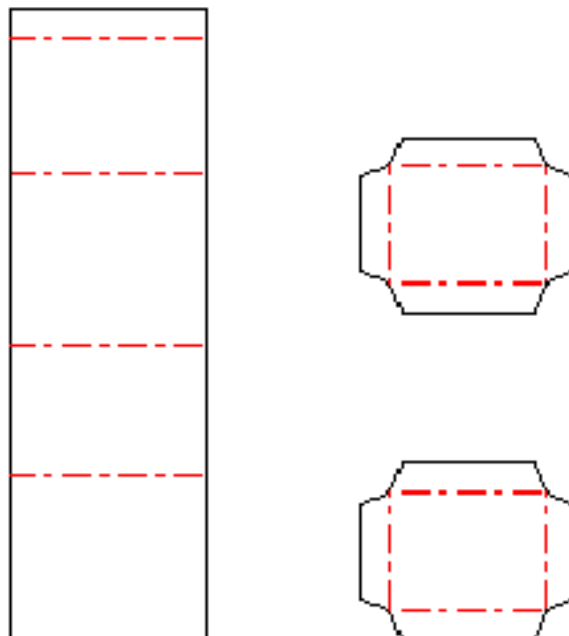
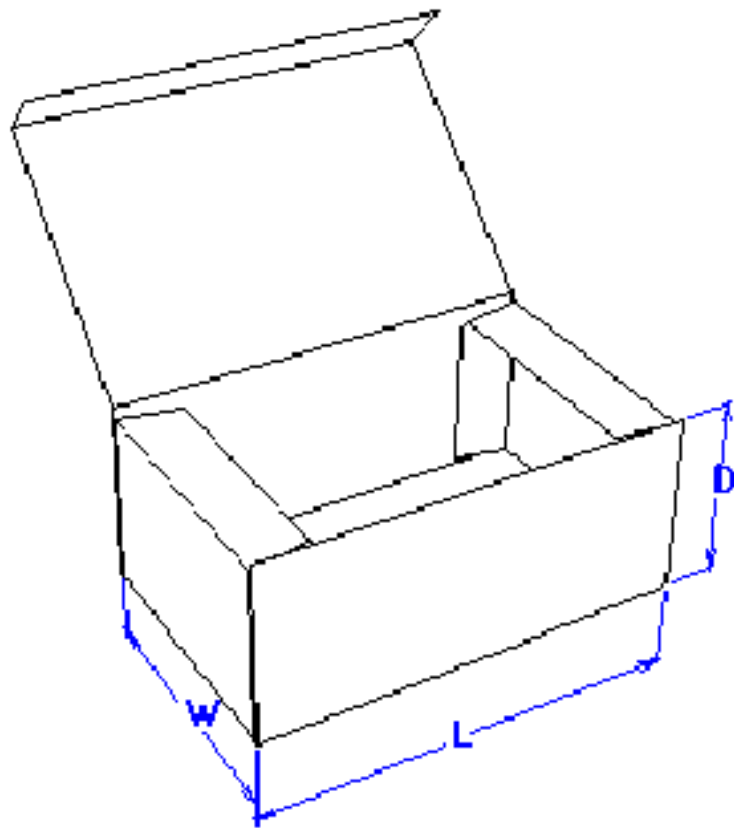


F0607 End Panel

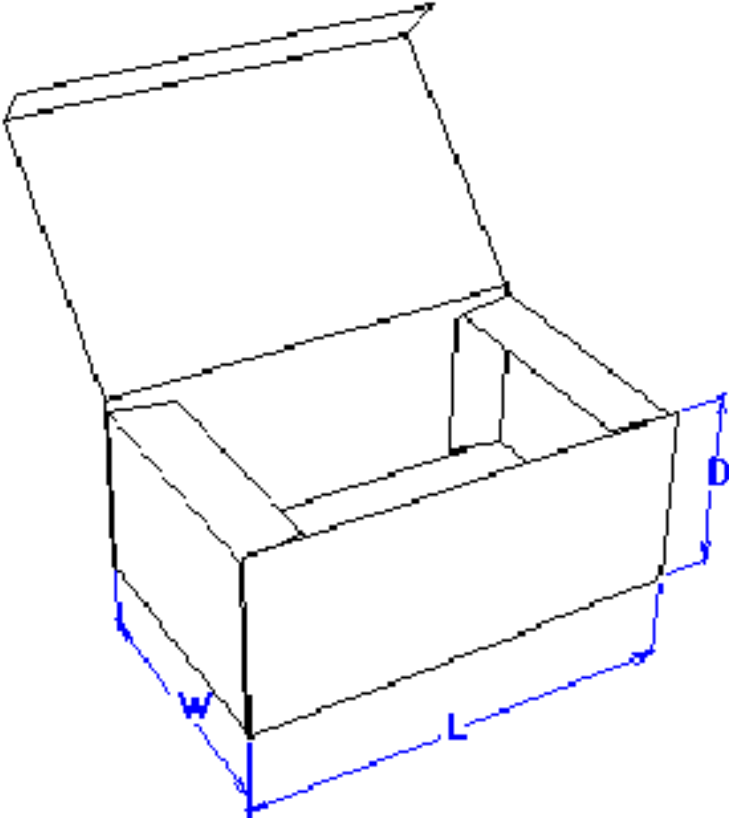


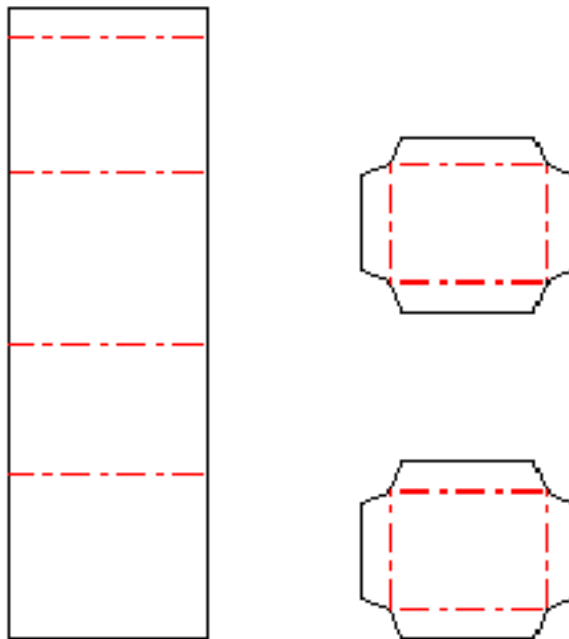


F0608 Body

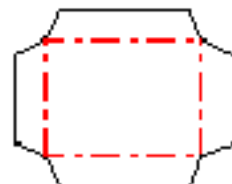
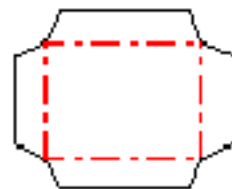
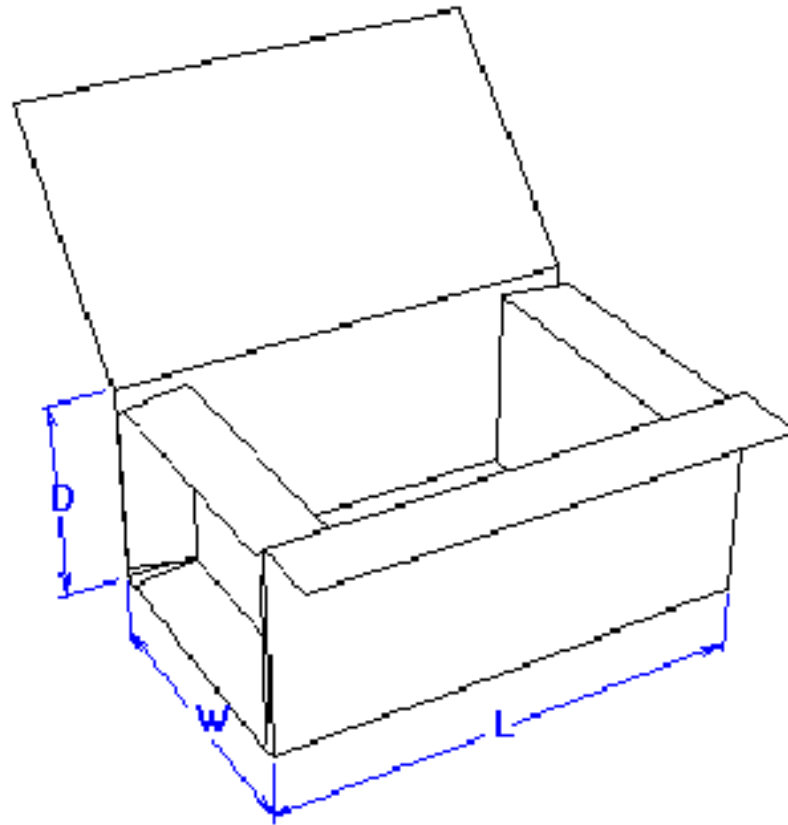


F0608 End Panel

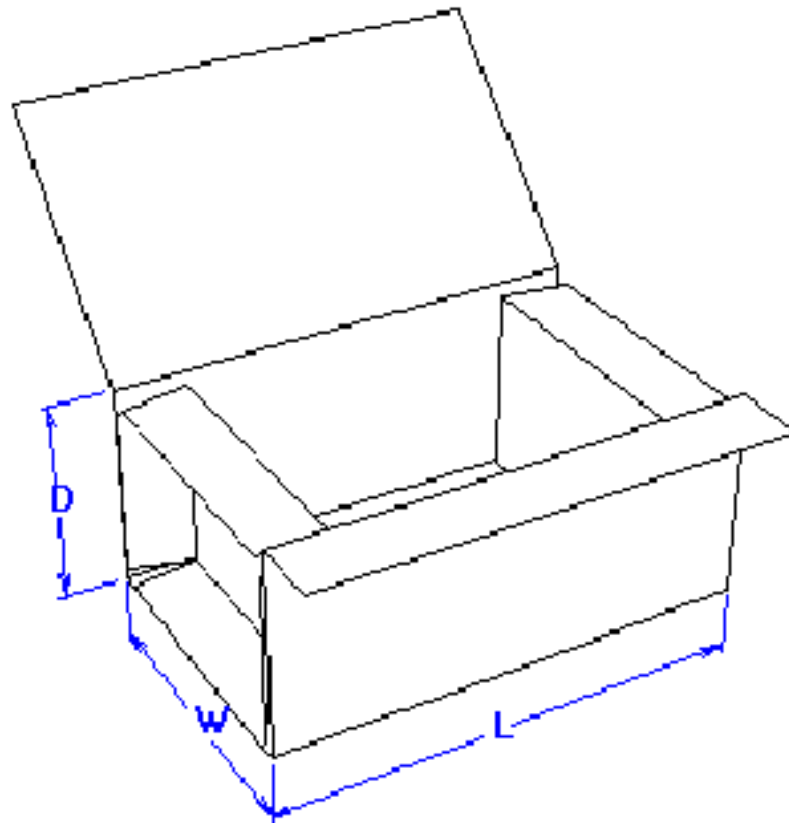


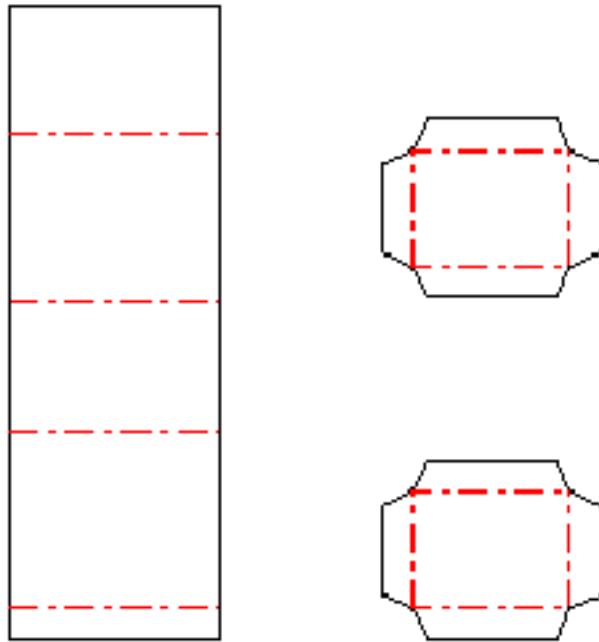


F0610 Body

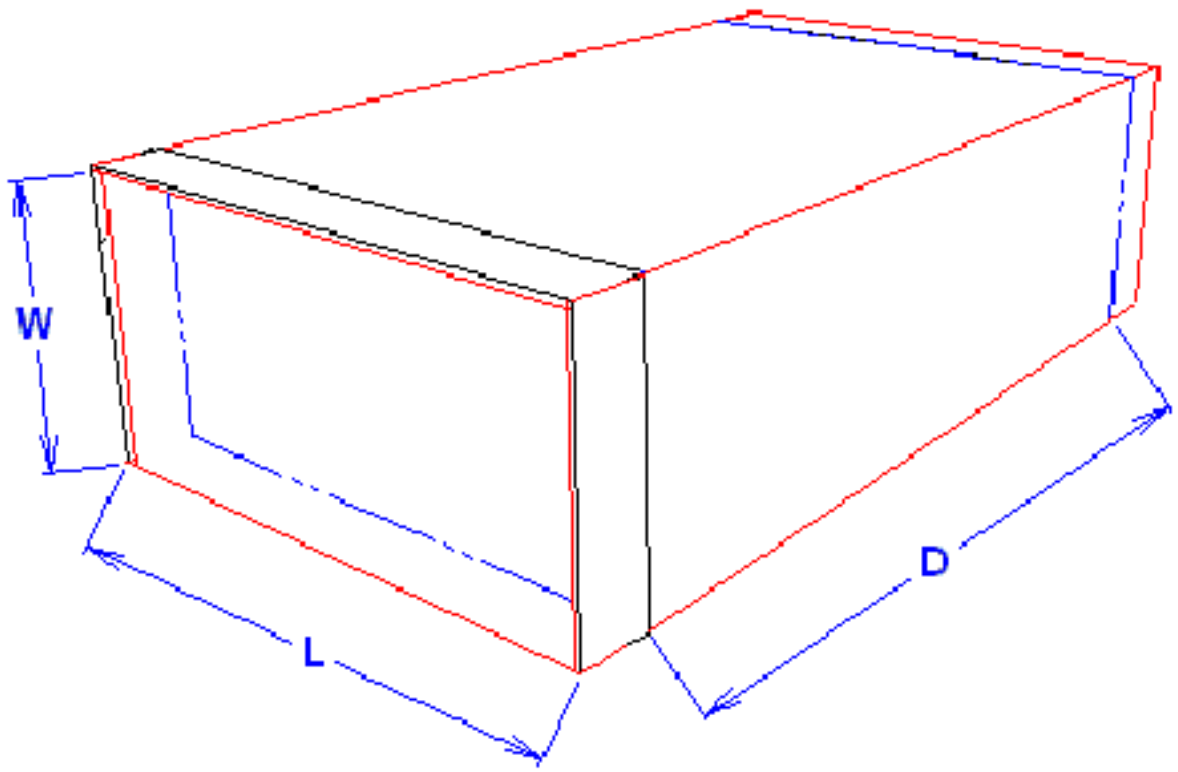


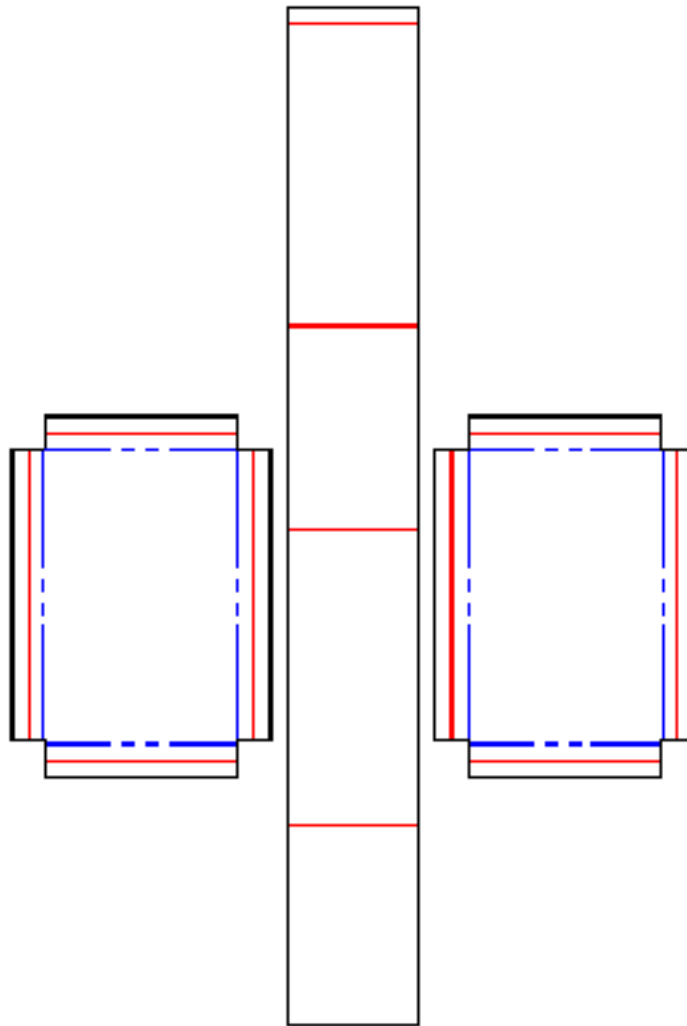
F0610 End Panel



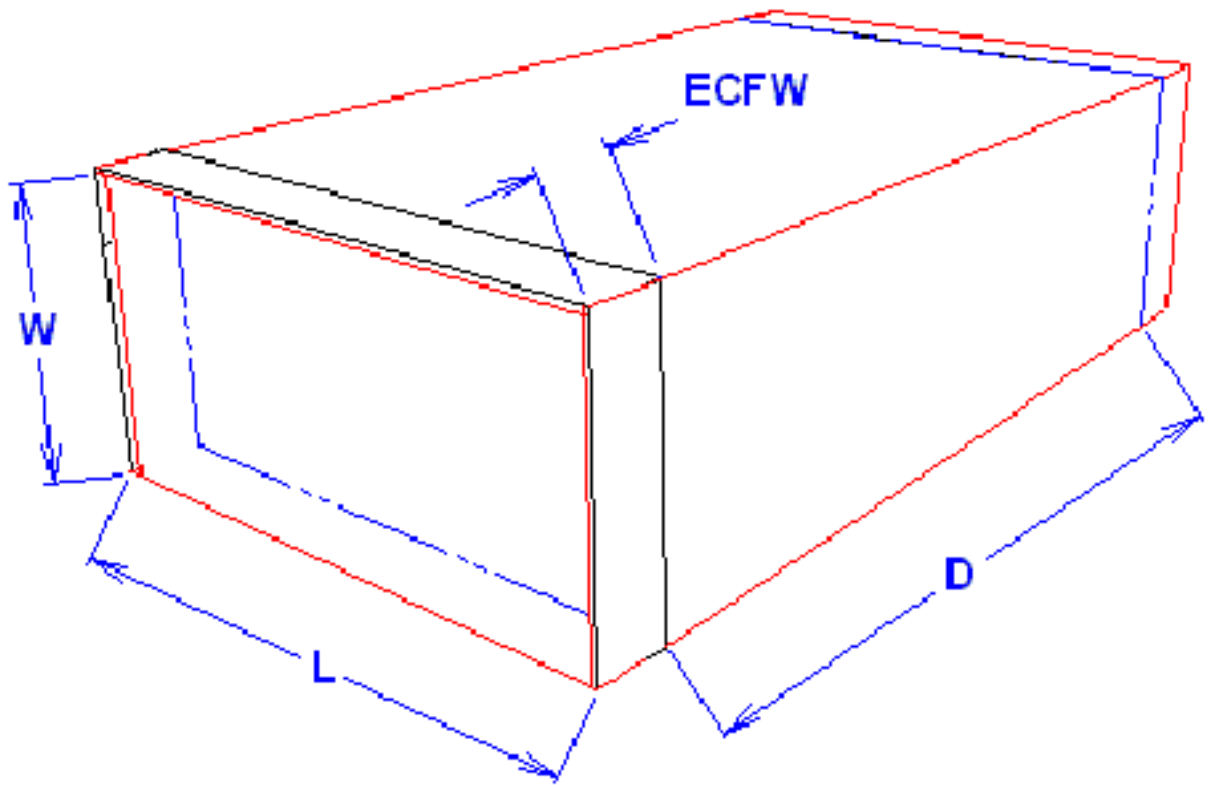


F0615



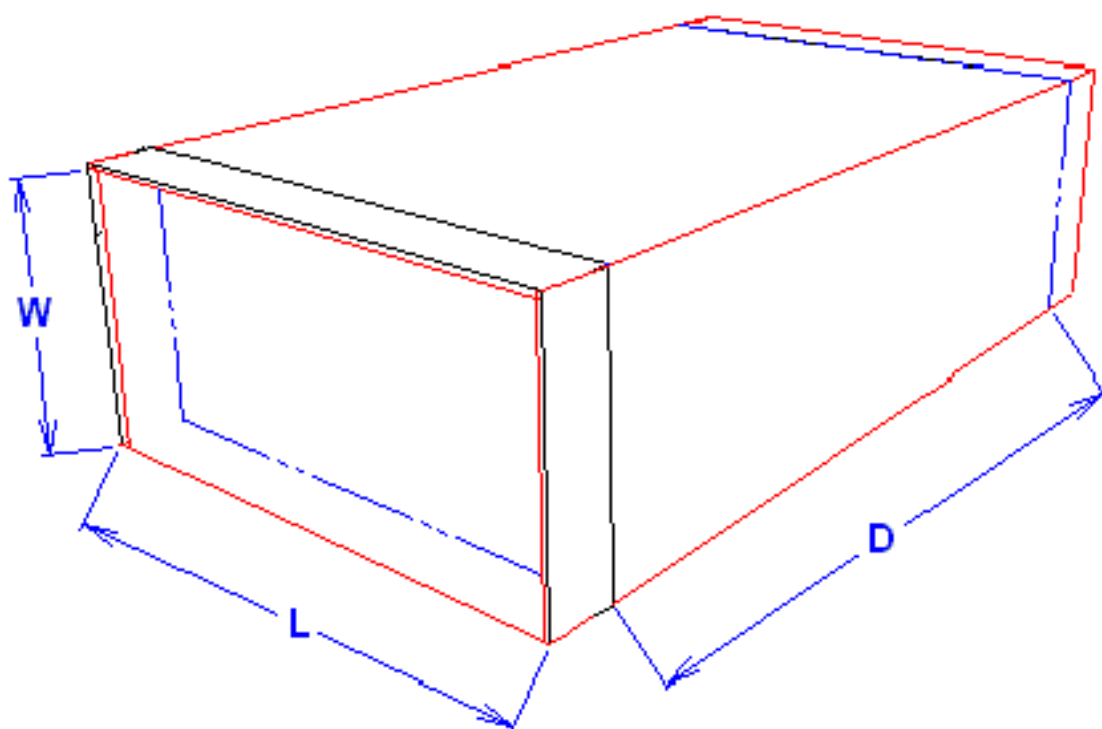


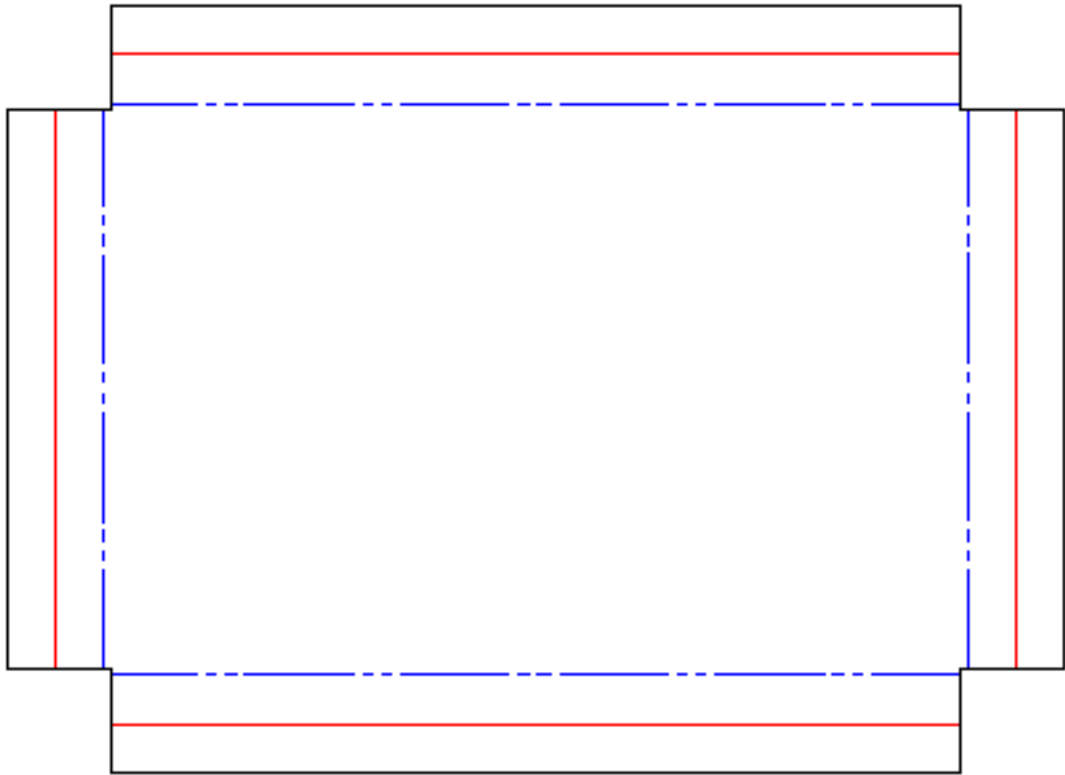
F0615a



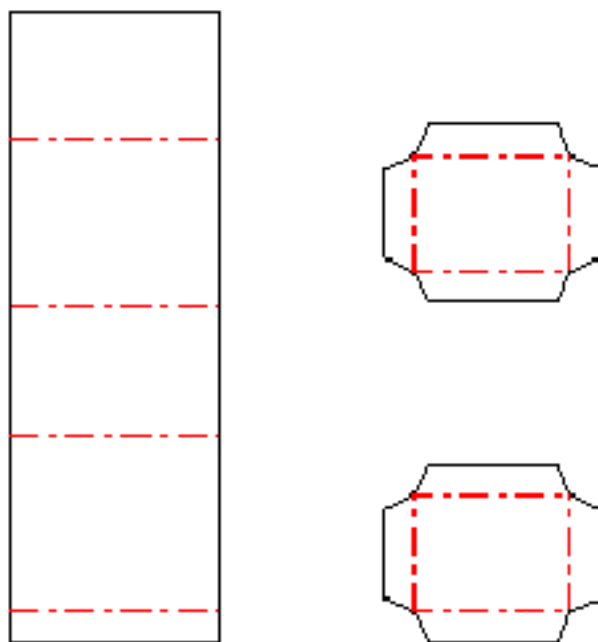
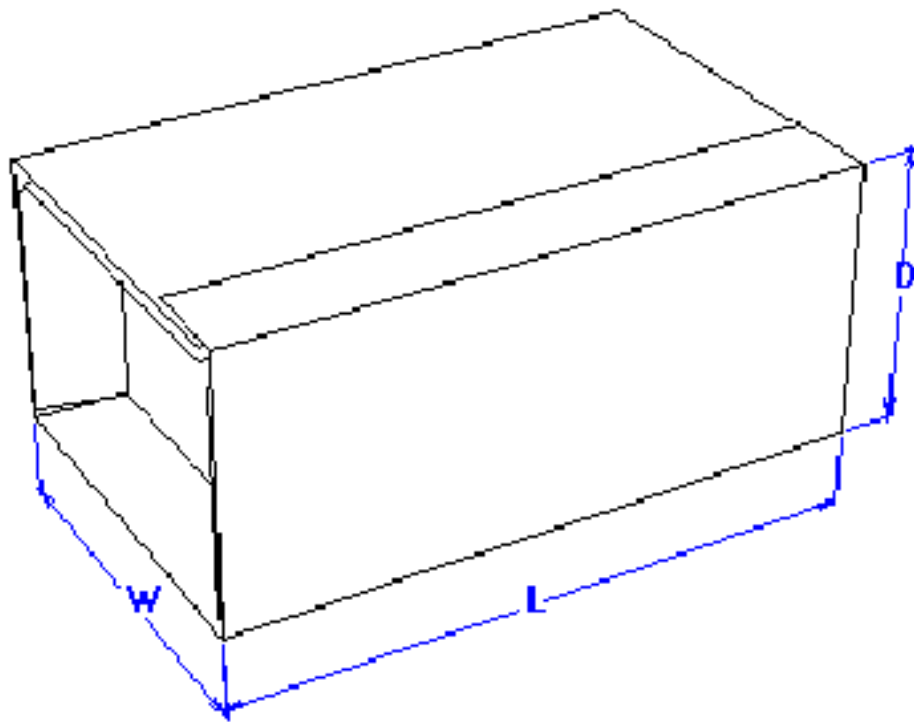


F0615b

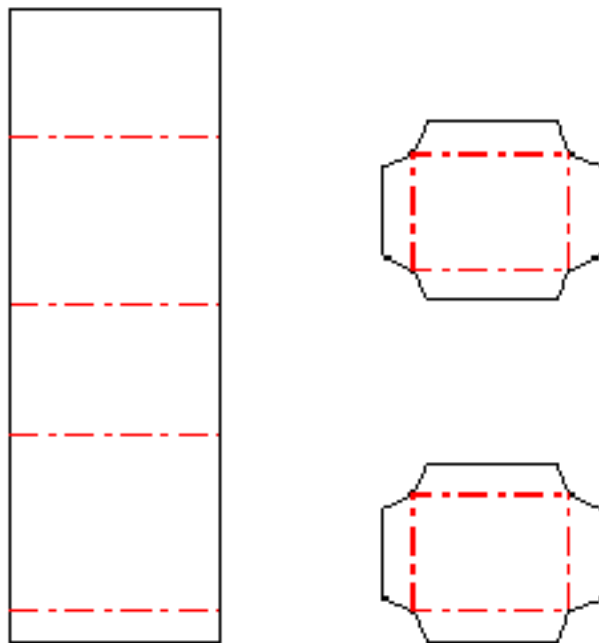
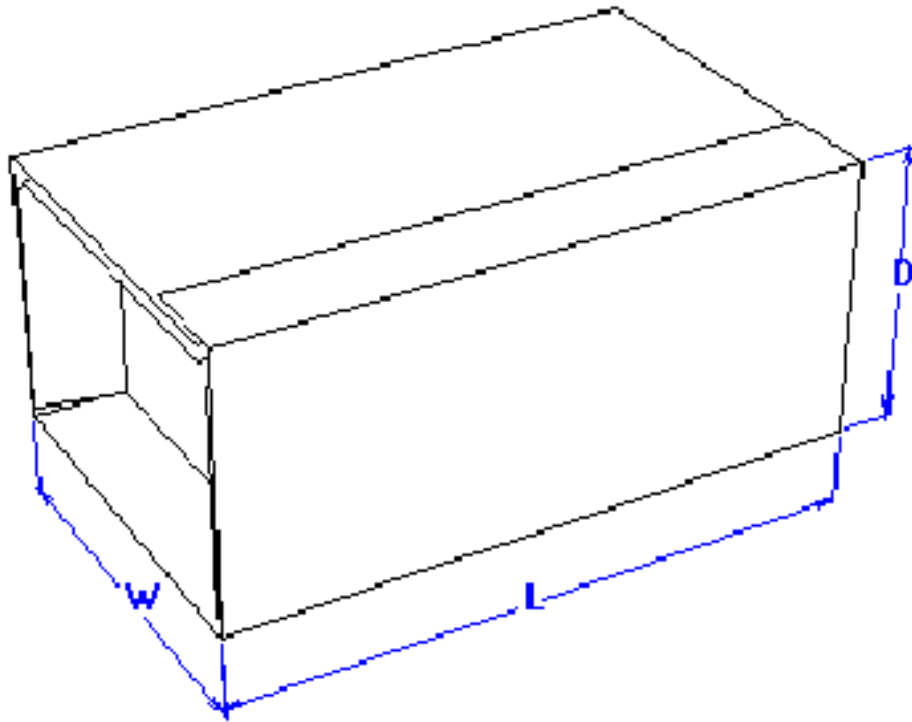




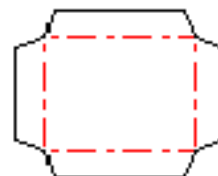
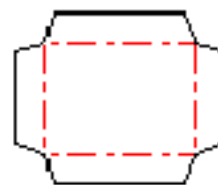
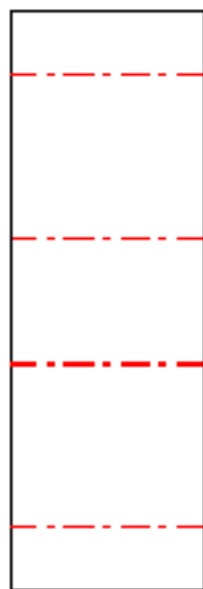
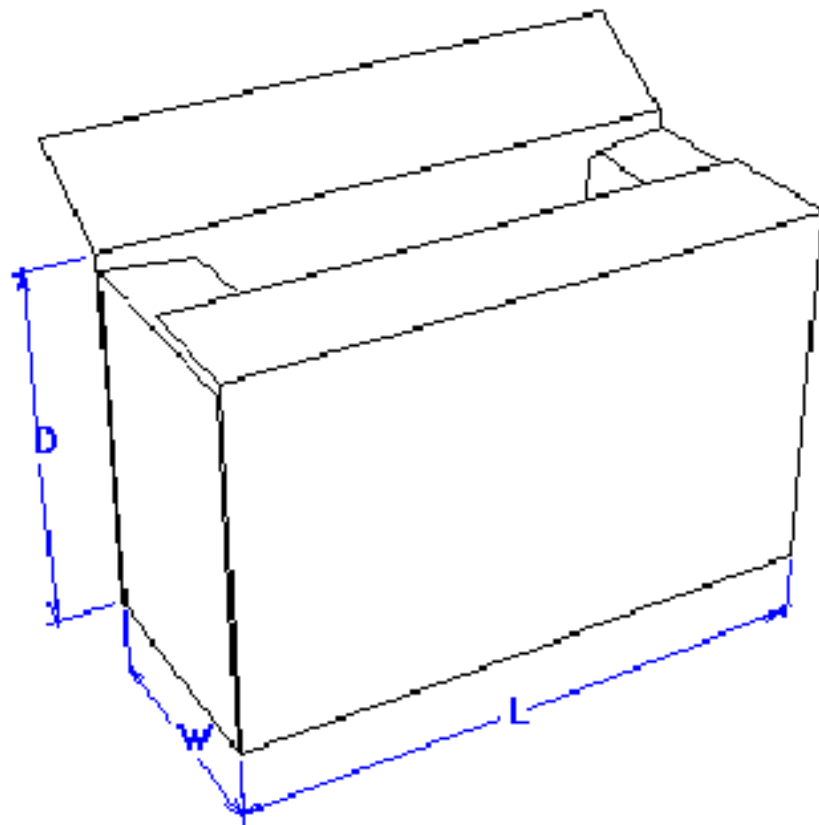
F0616 Body



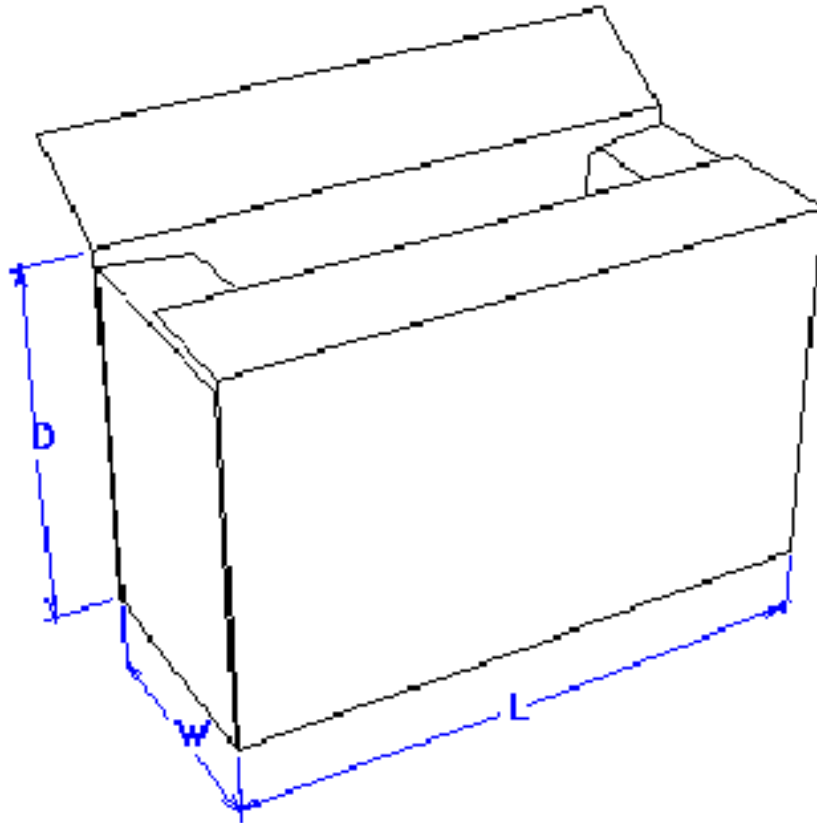
F0616 End Panel

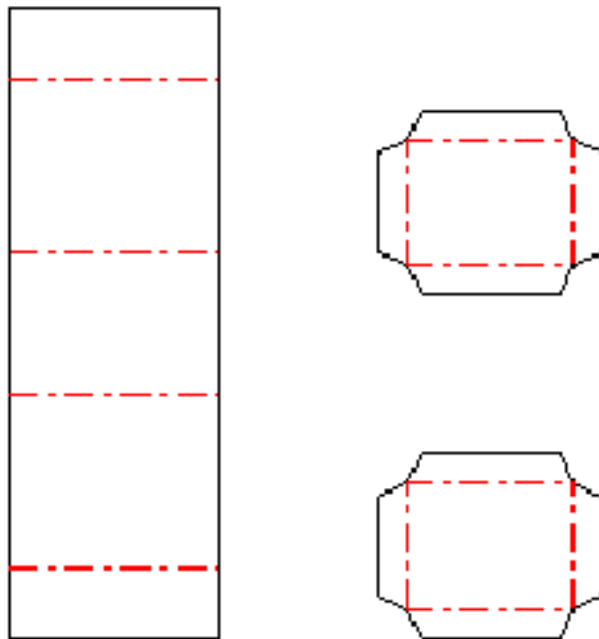


F0620 Body

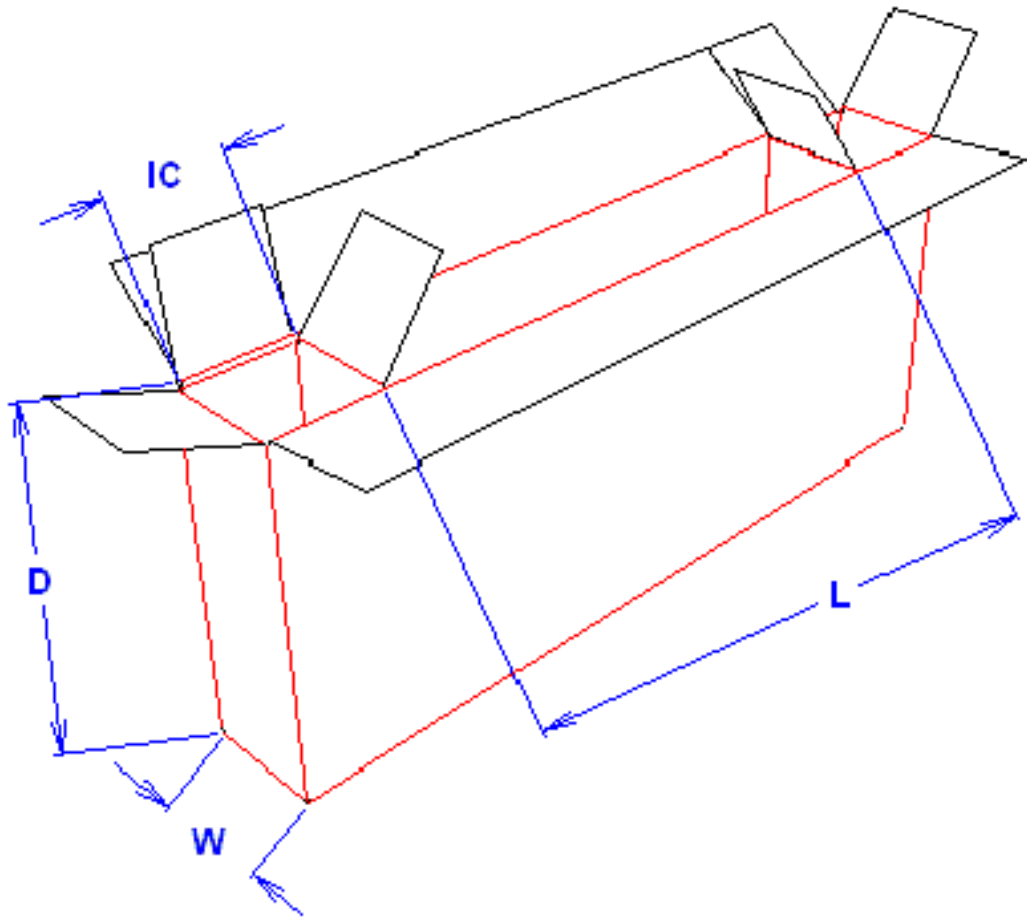


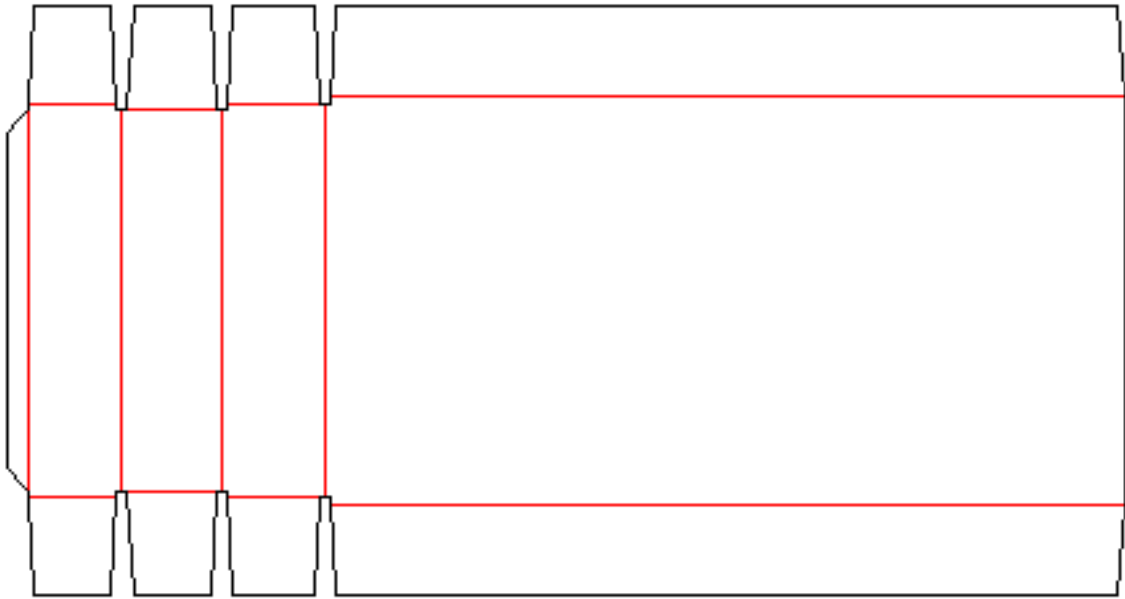
F0620 End Panel





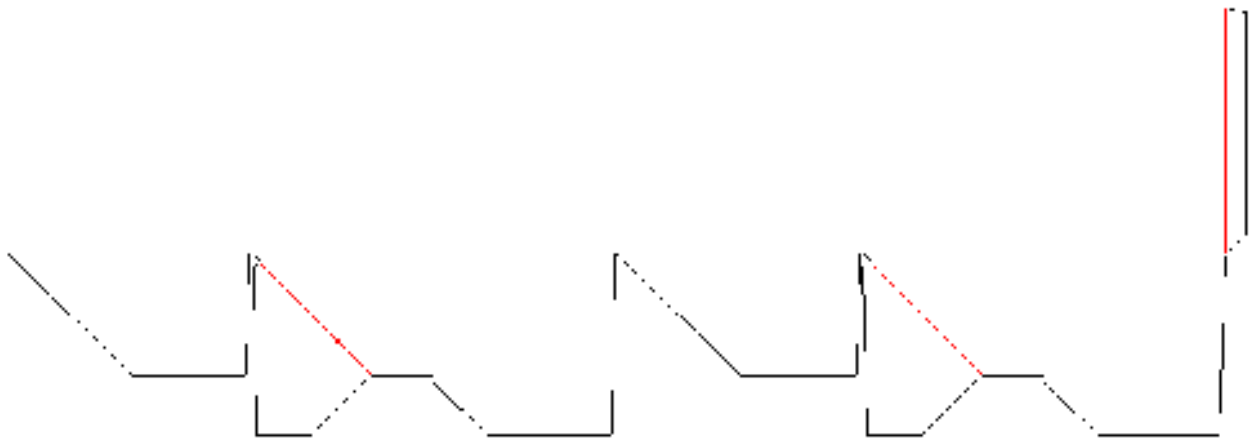
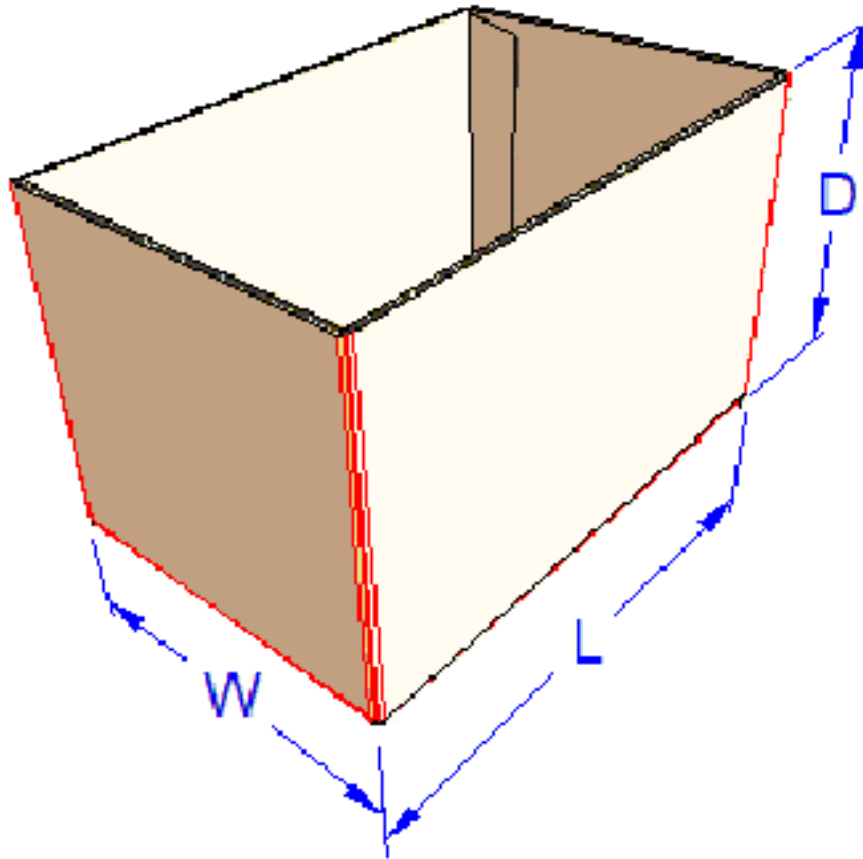
F0621



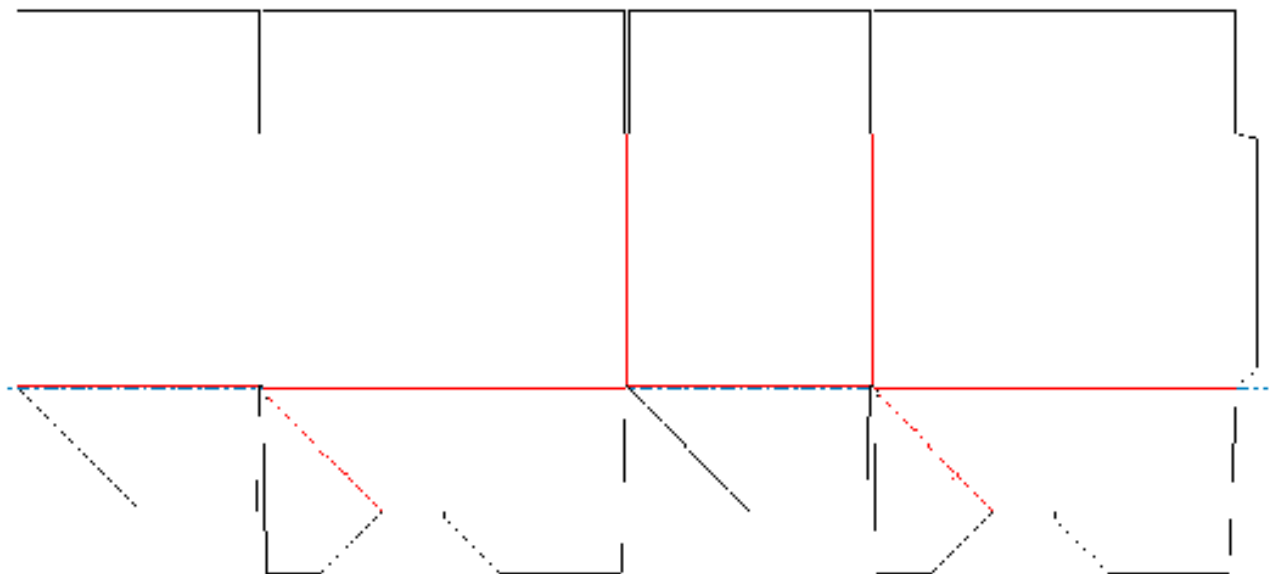
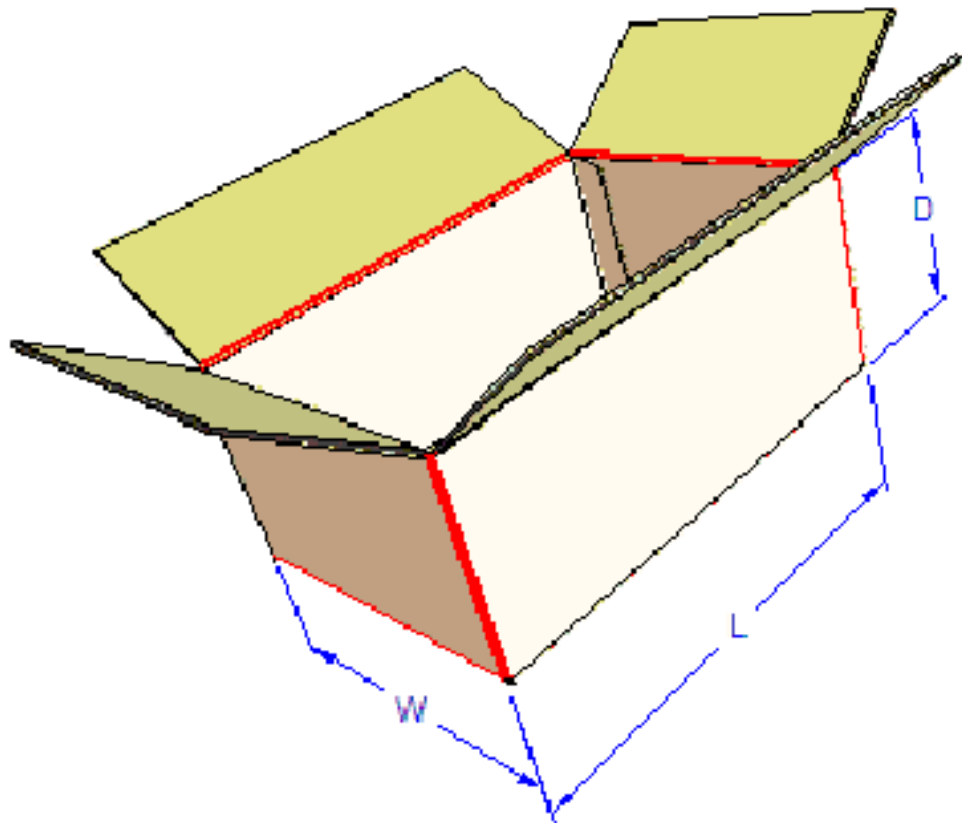


FEFCO Standards - 700 Series

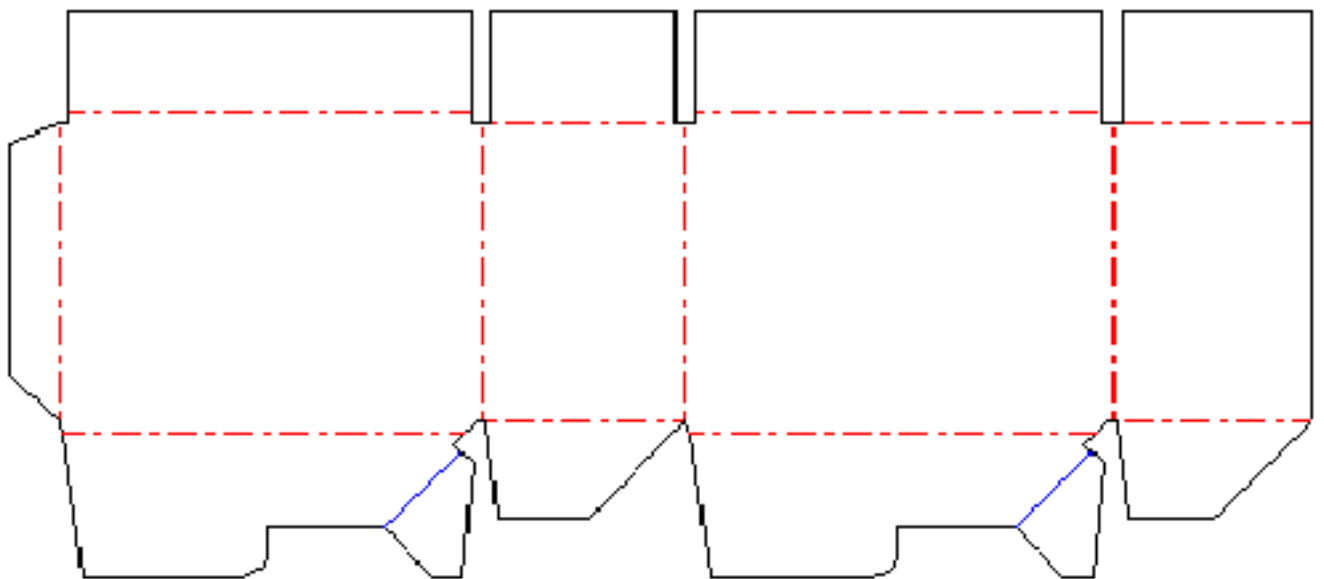
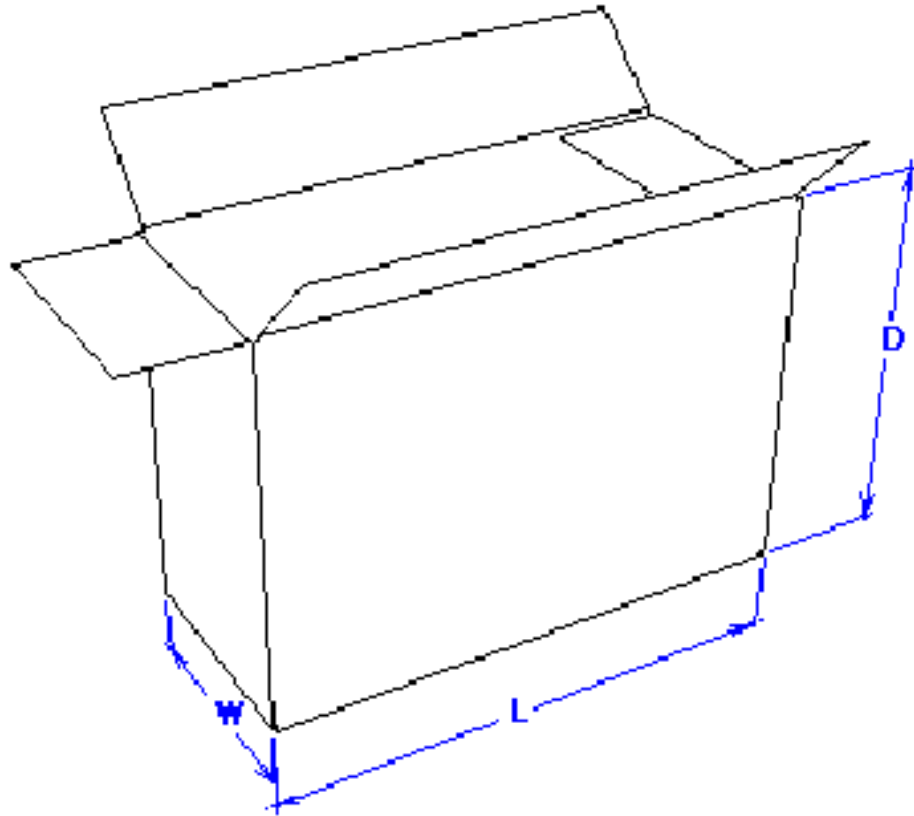
F0700



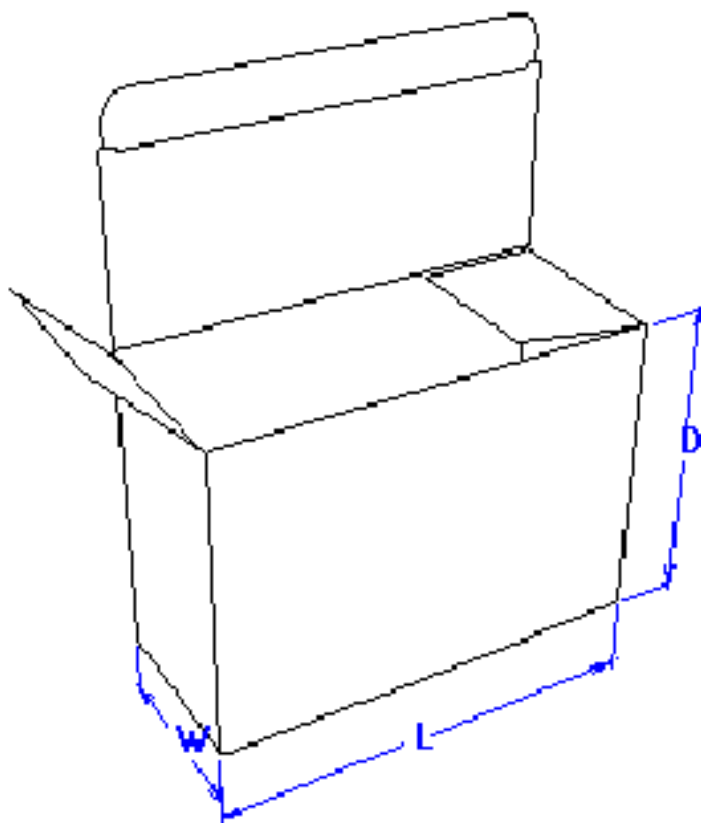
F0711

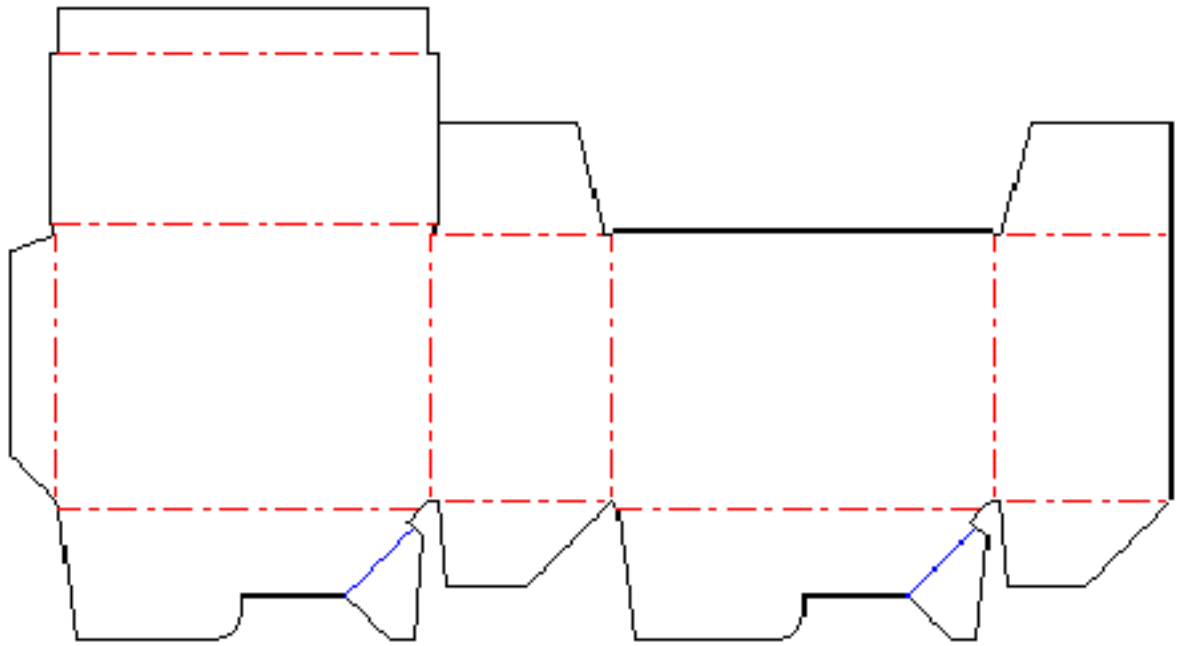


F0712

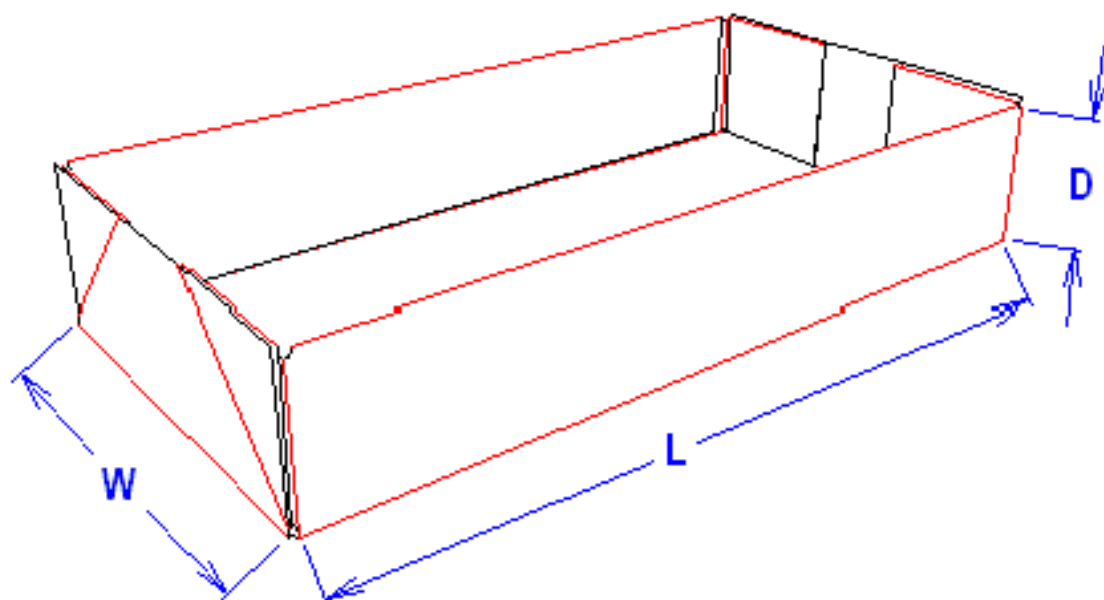


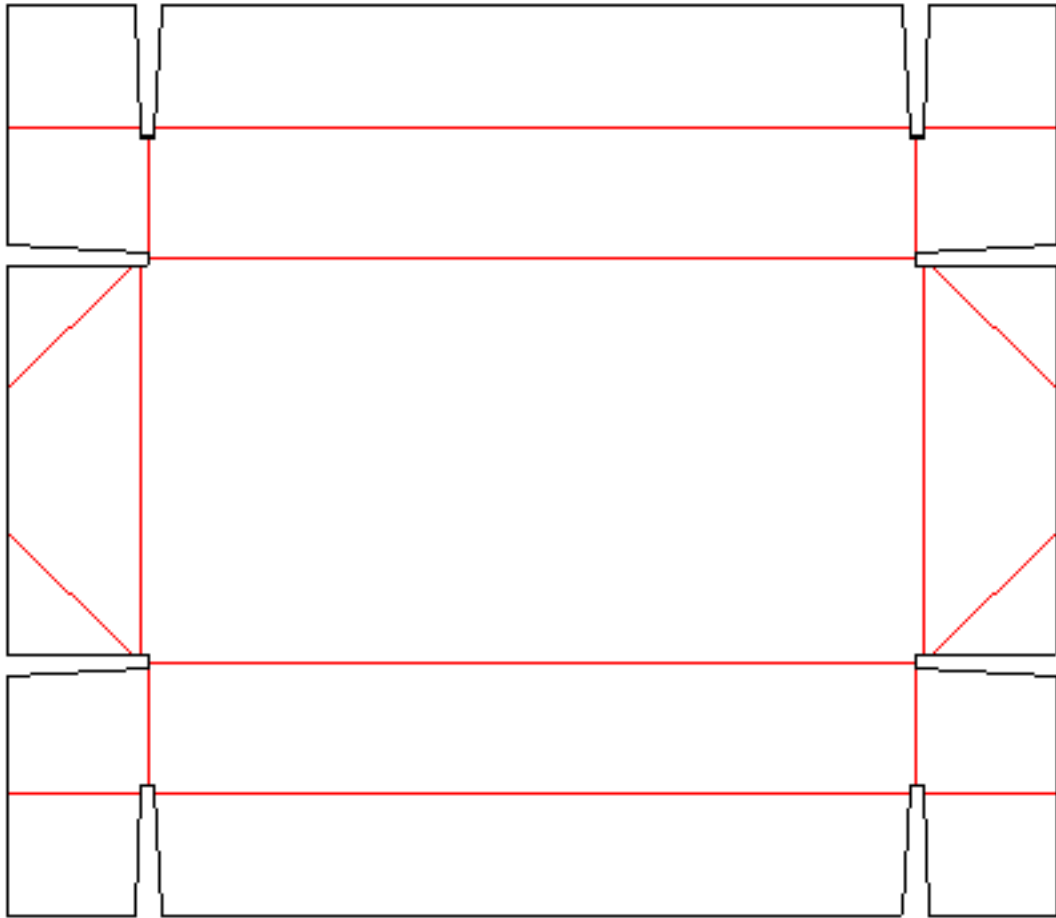
F0713



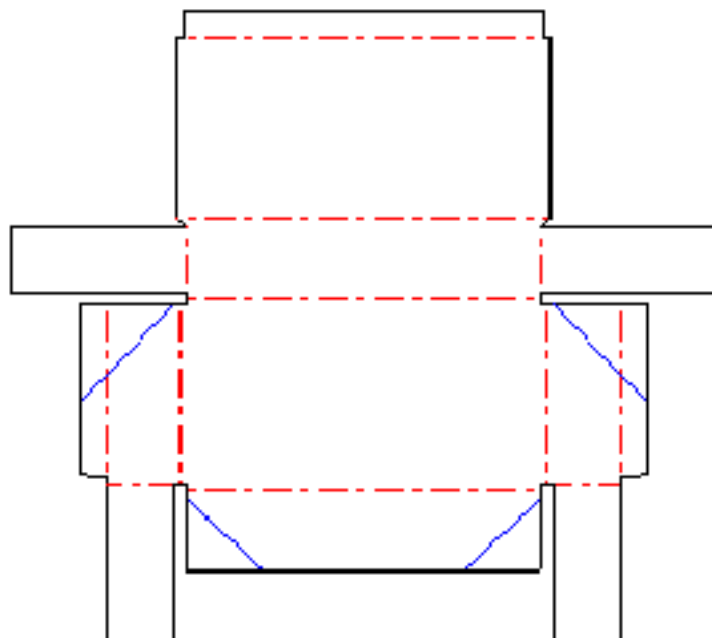
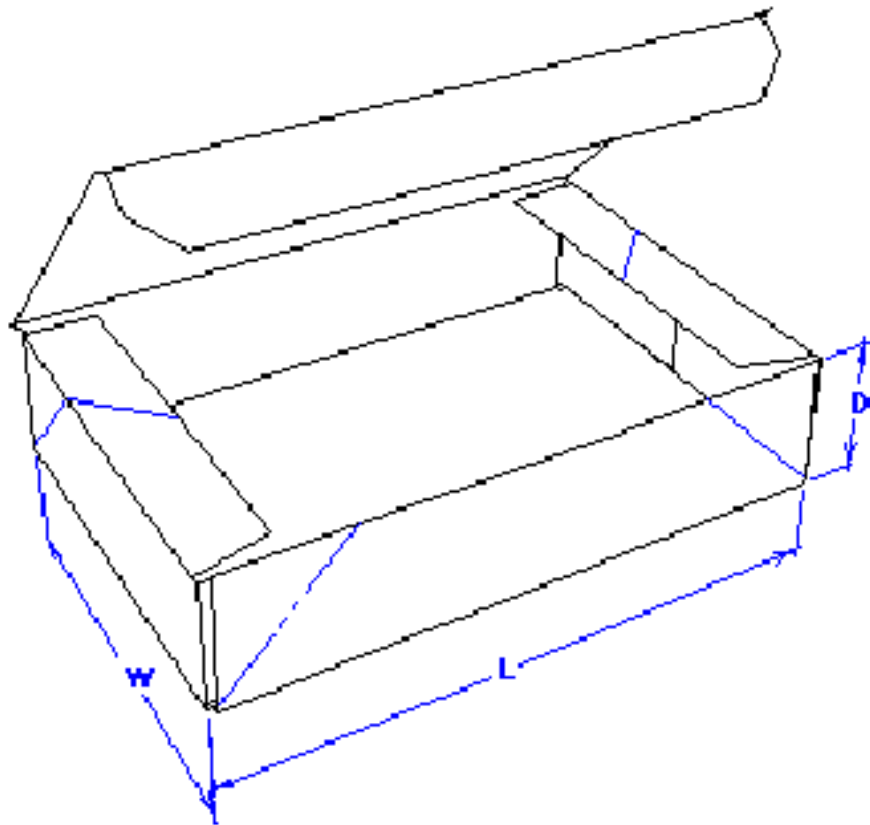


F0718

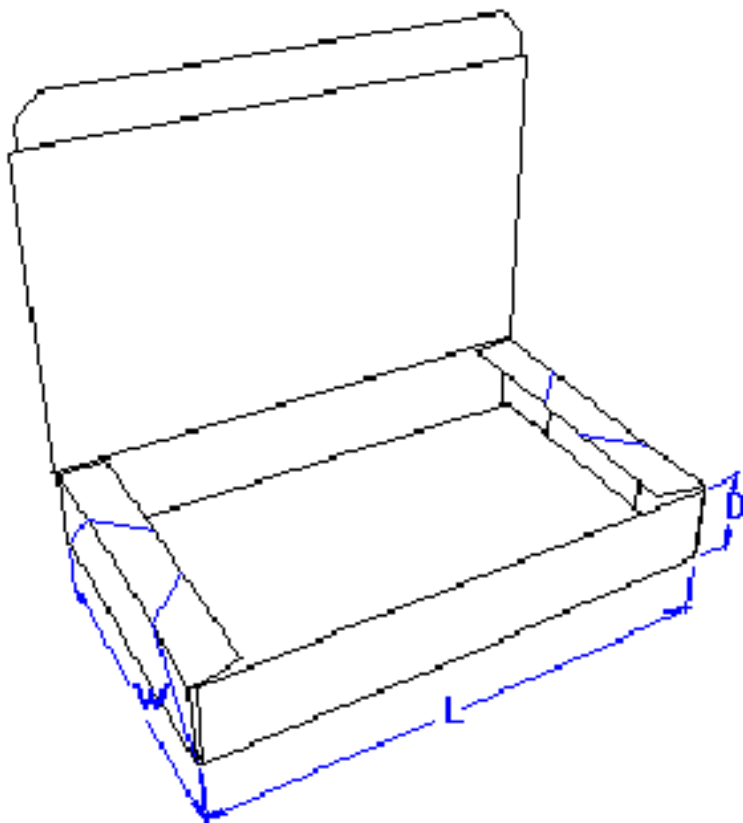


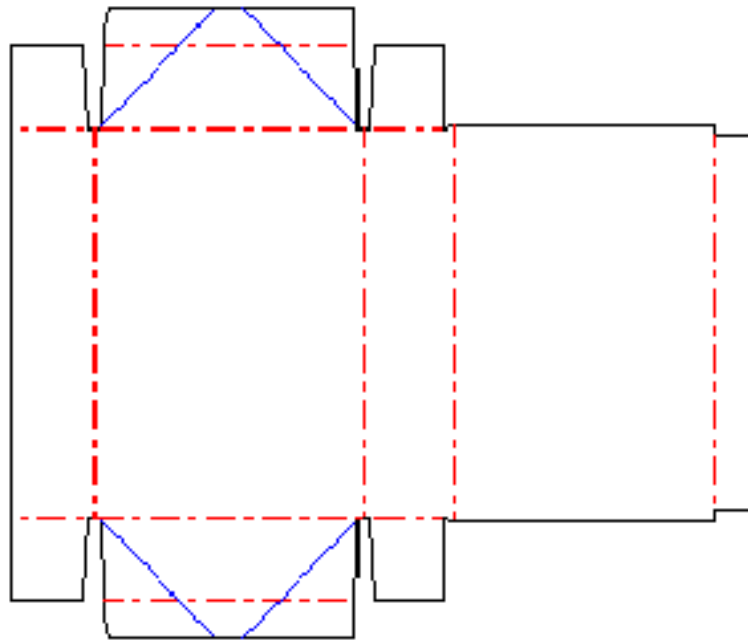


F0747

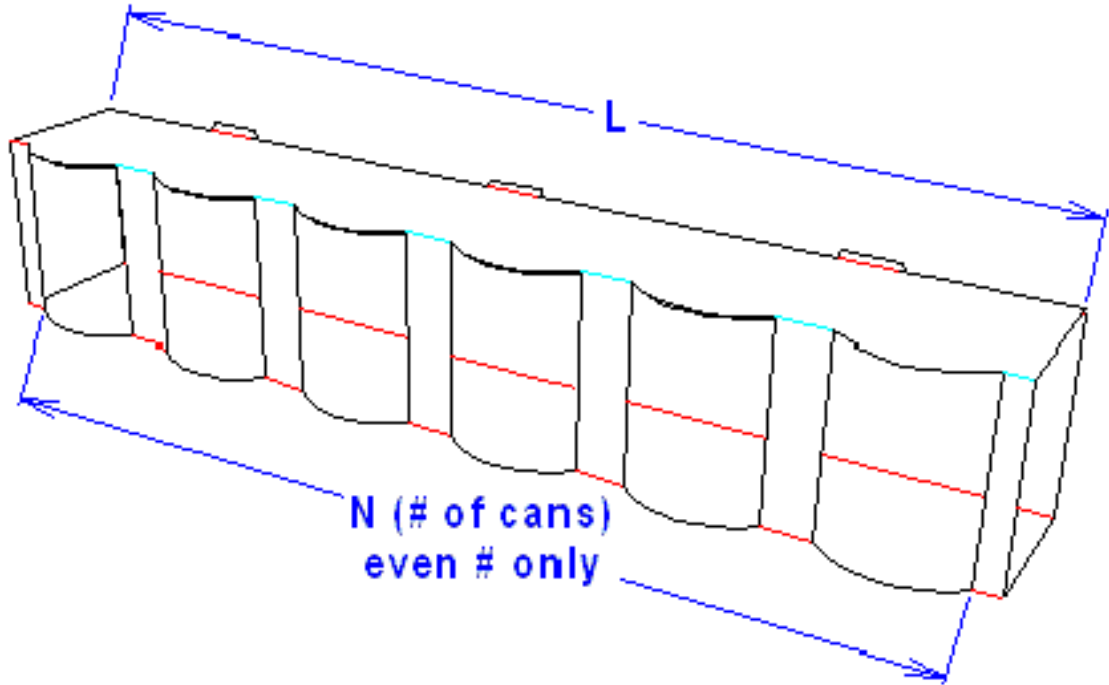


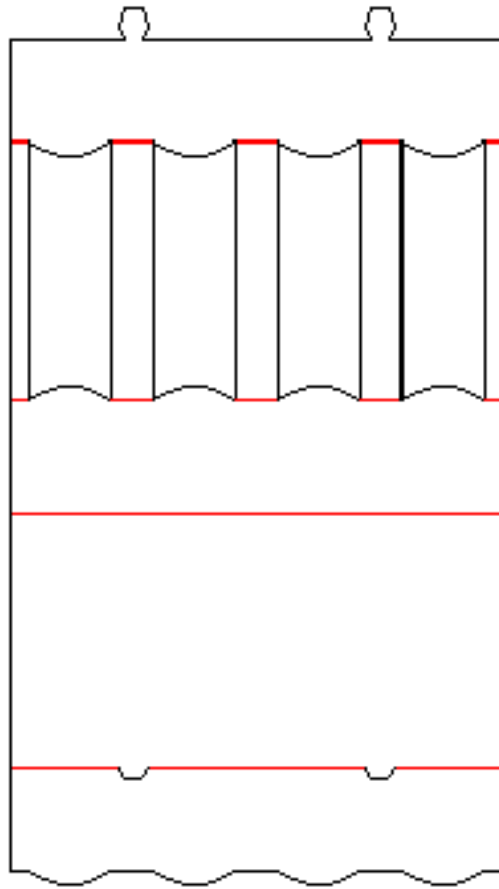
F0748



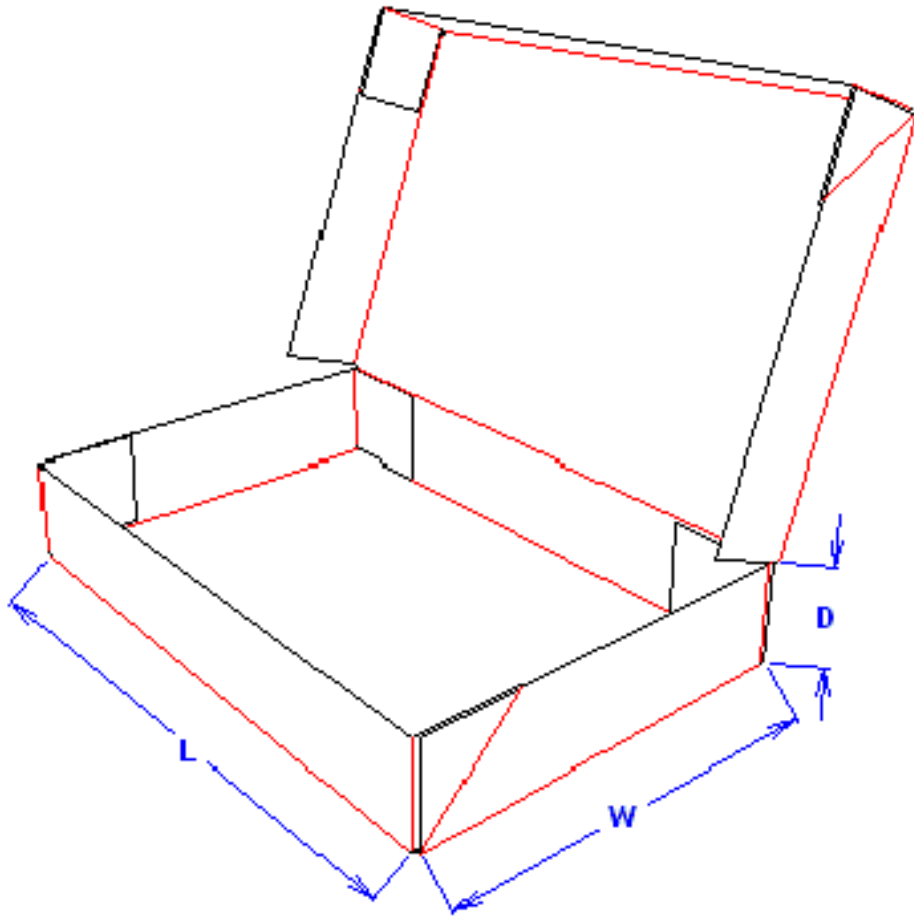


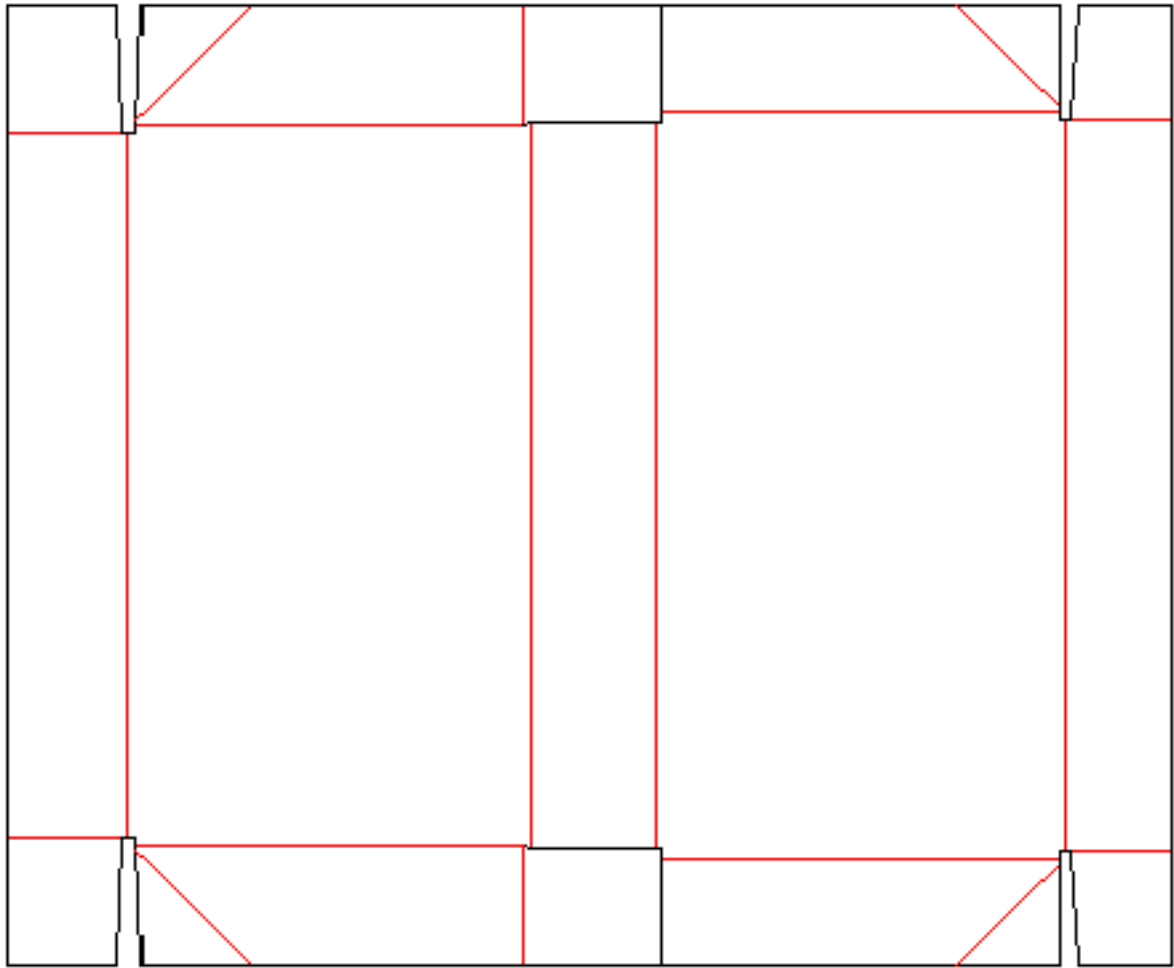
F0752



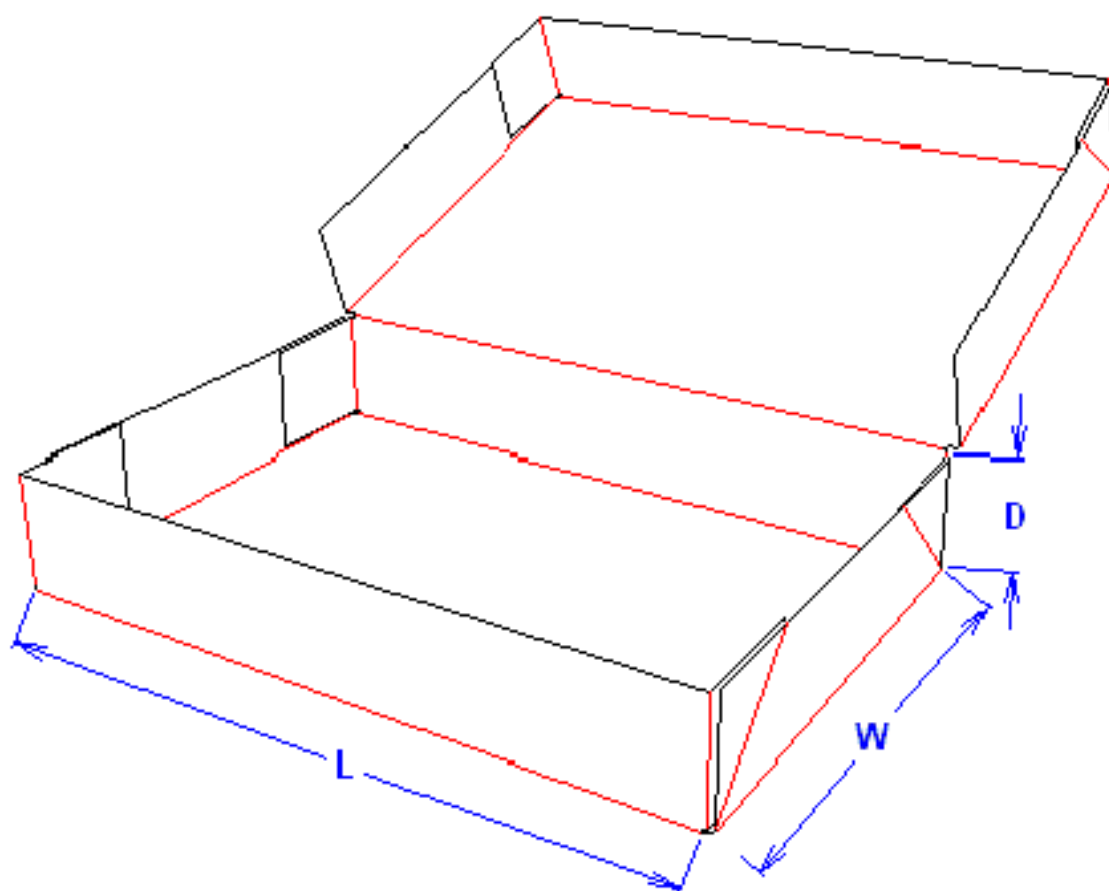


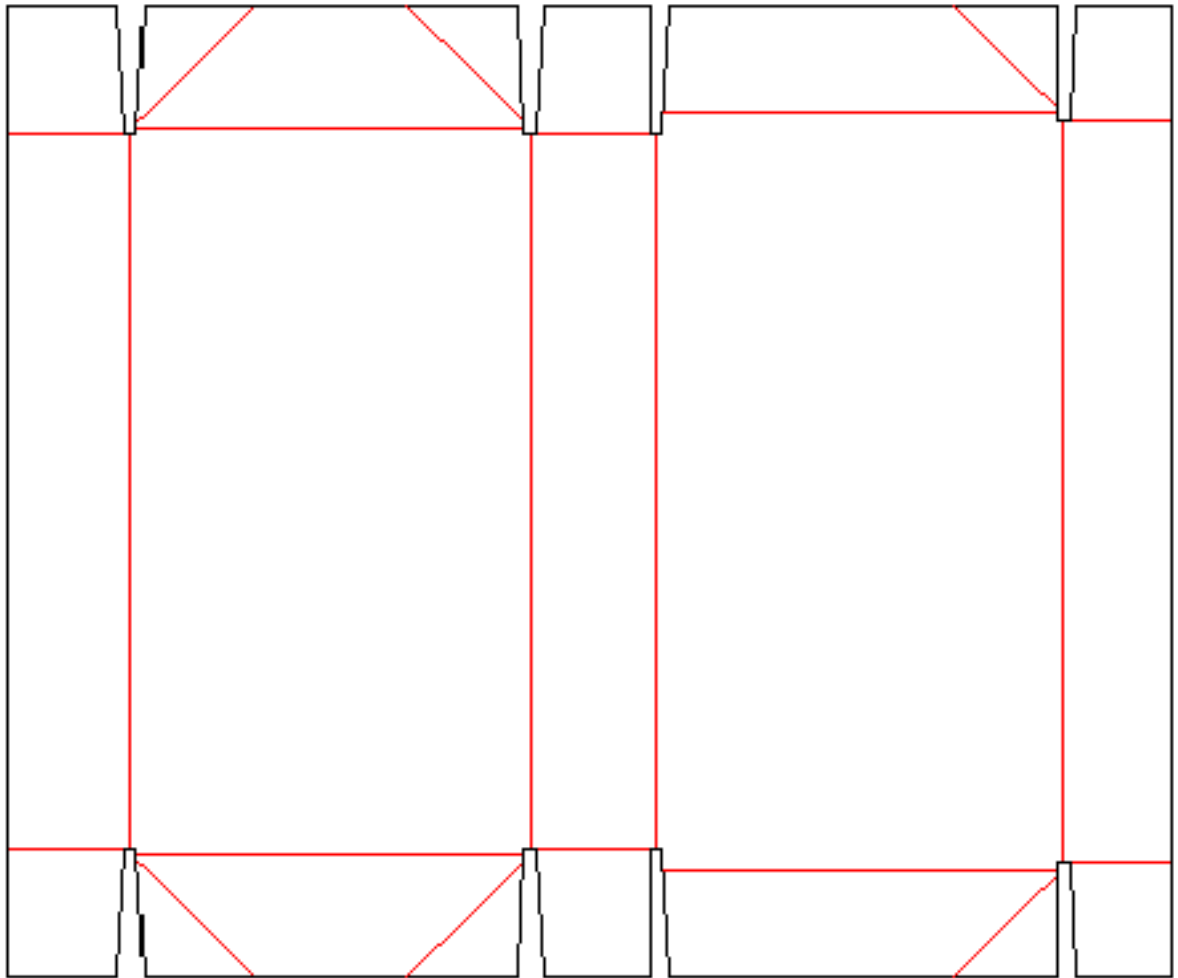
F0759



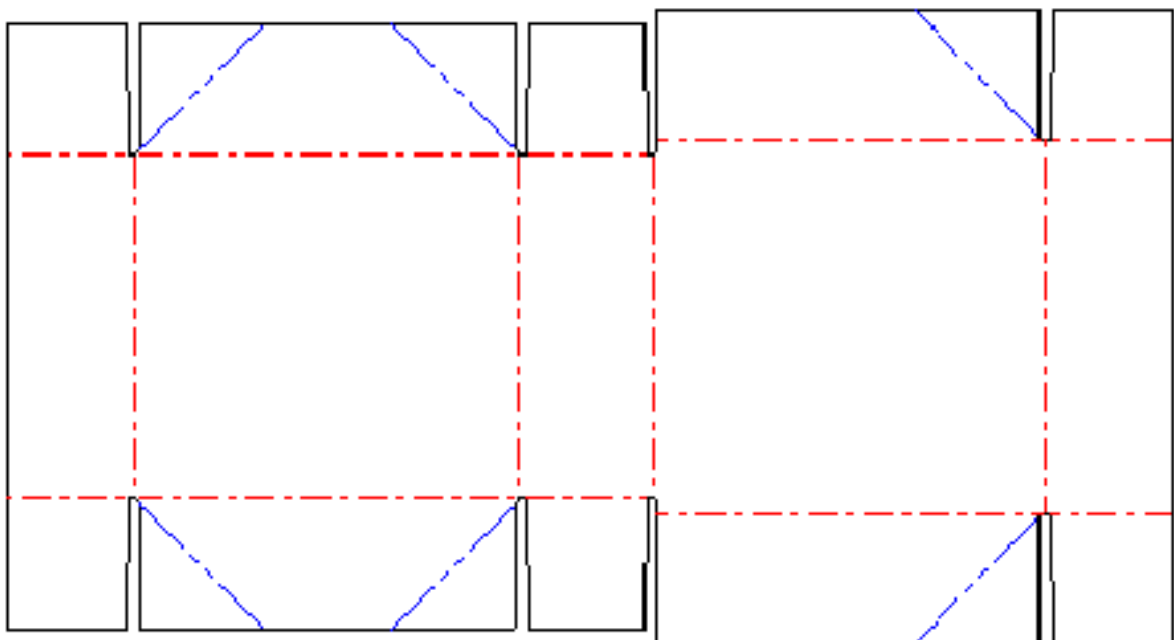
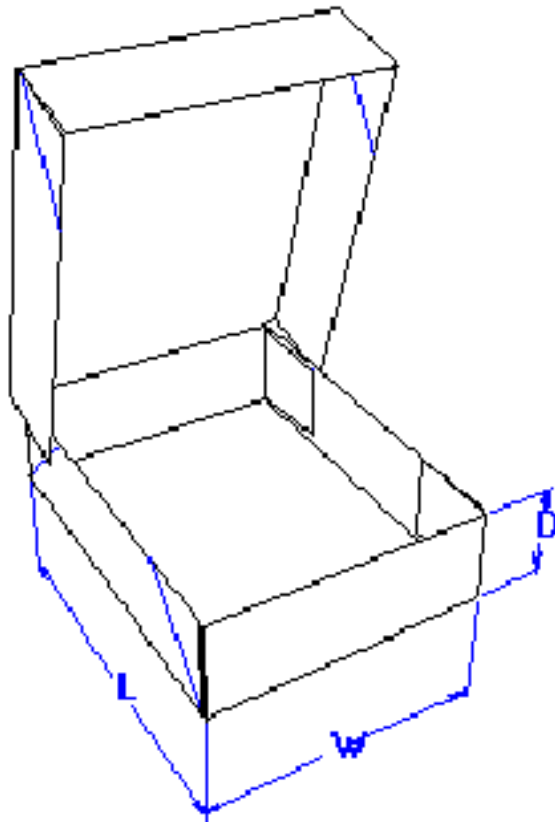


F0760



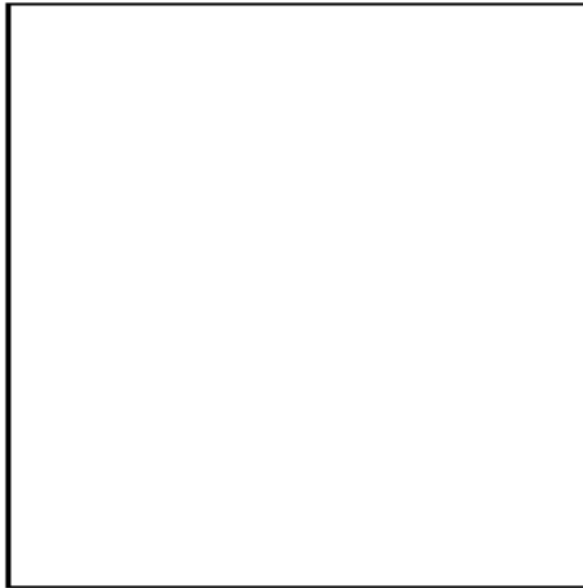


F0761

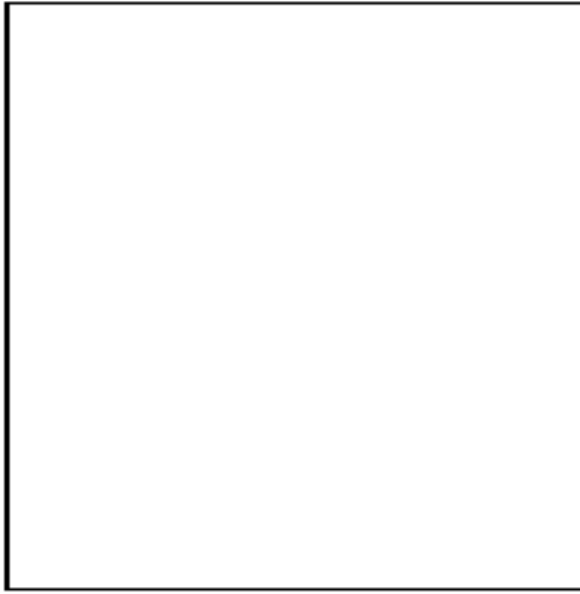


FEFCO Standards - 900 Series

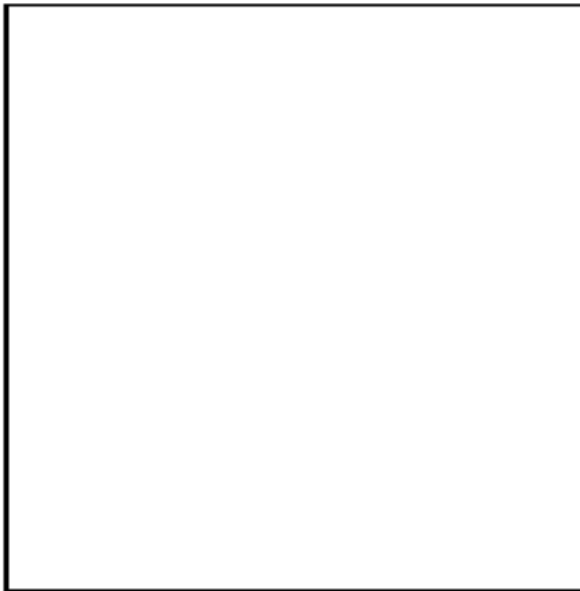
F0900



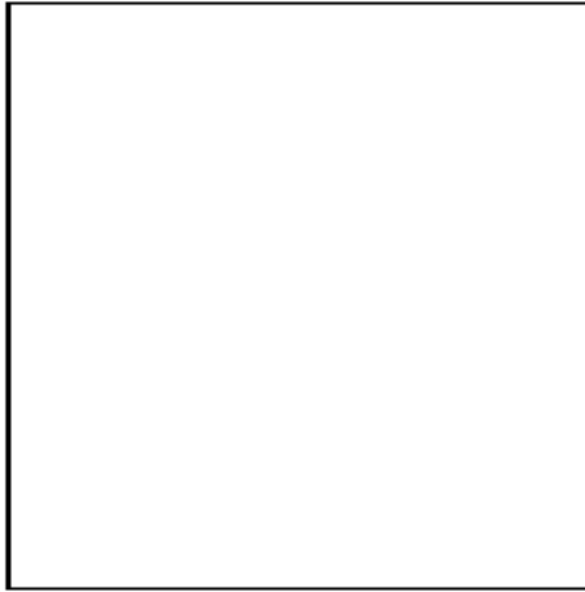
F0901



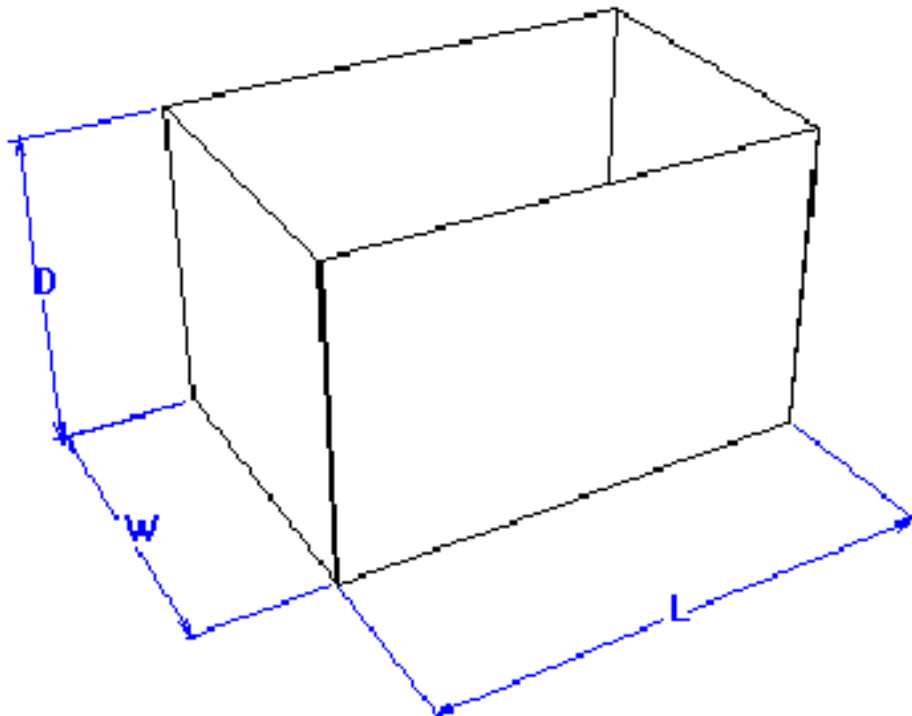
F0902



F0903

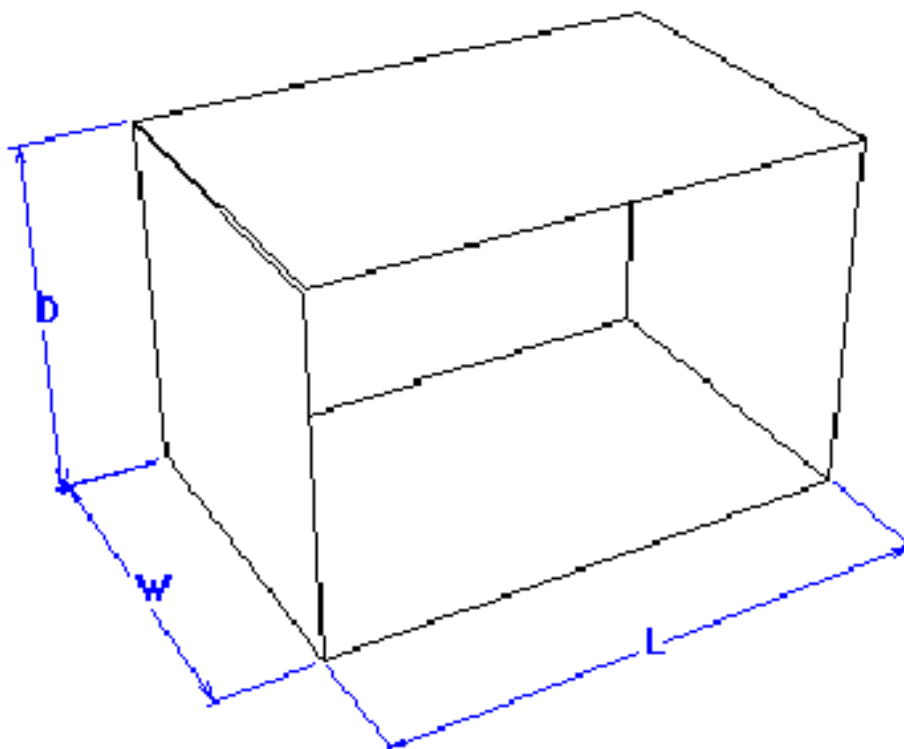


F0904

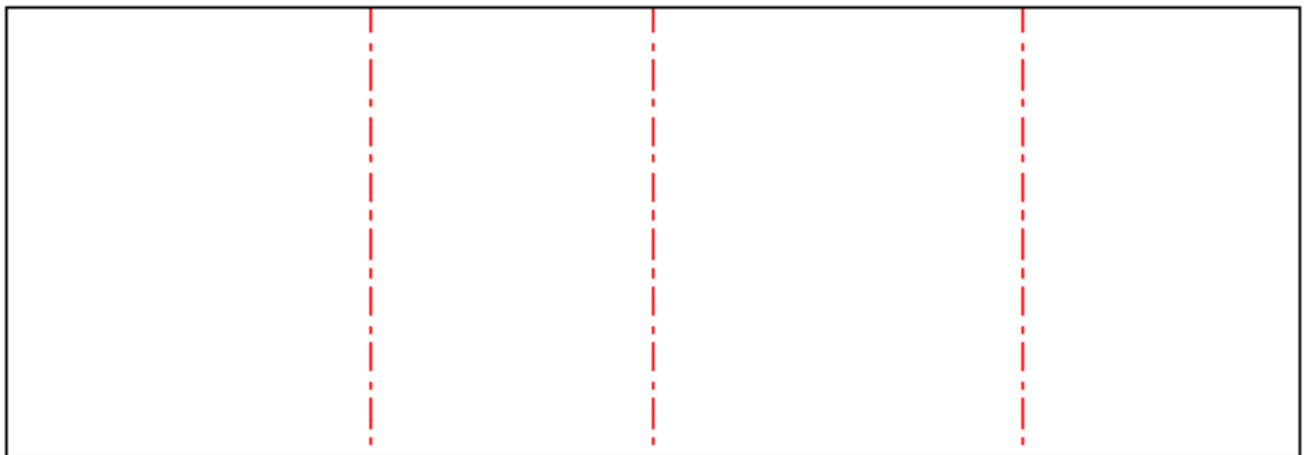
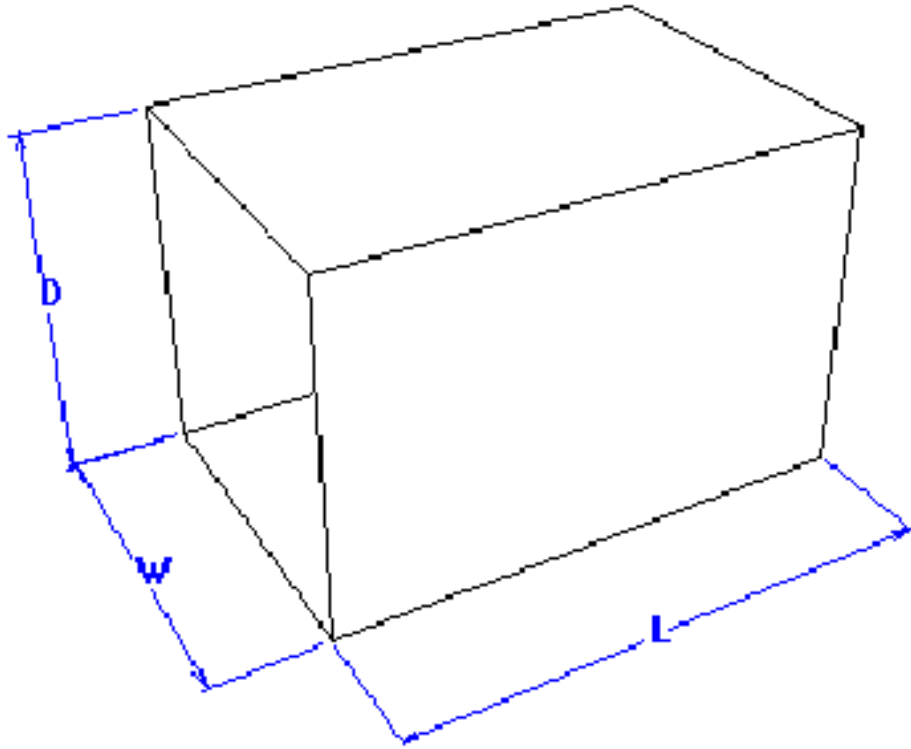




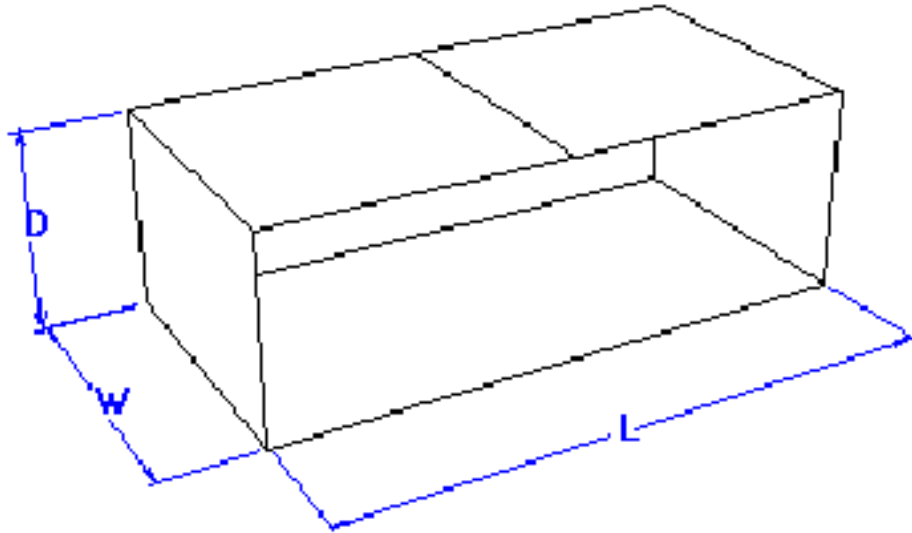
F0905



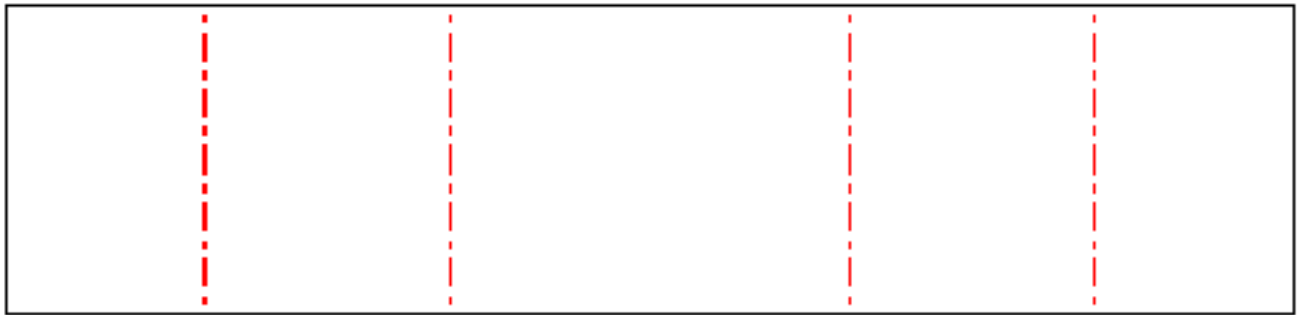
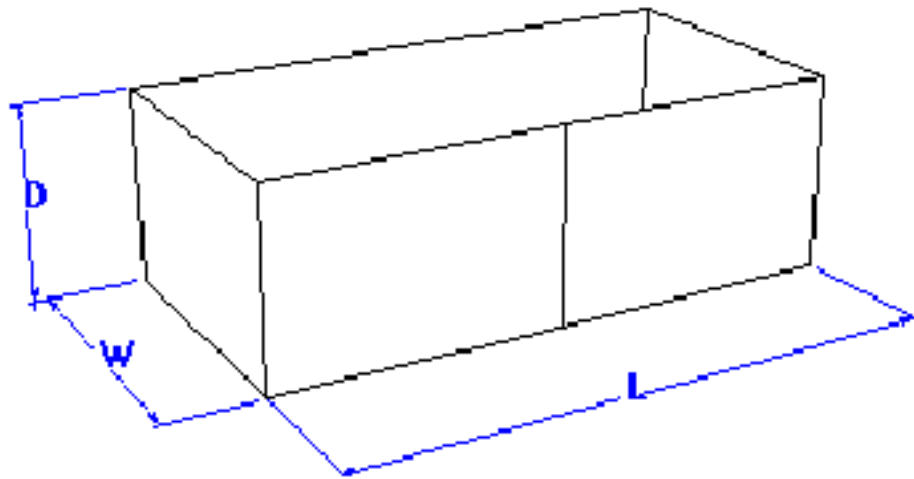
F0906



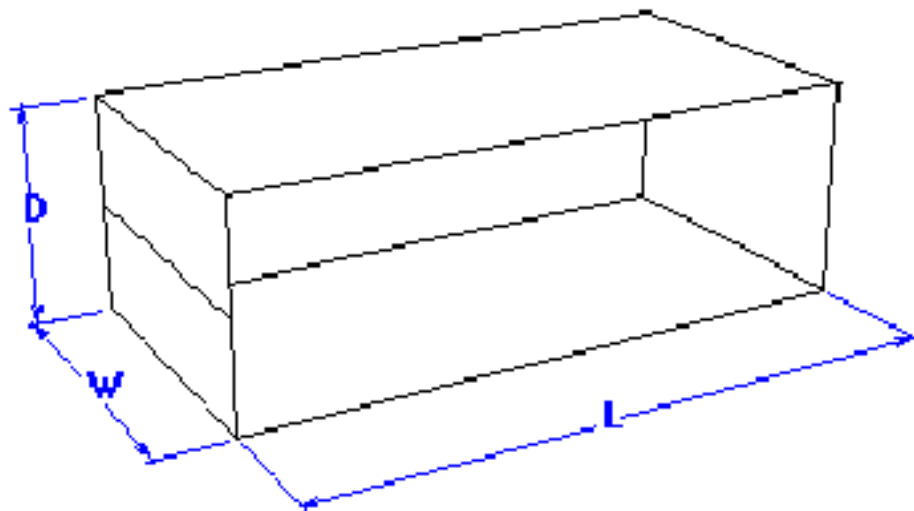
F0907



F0908

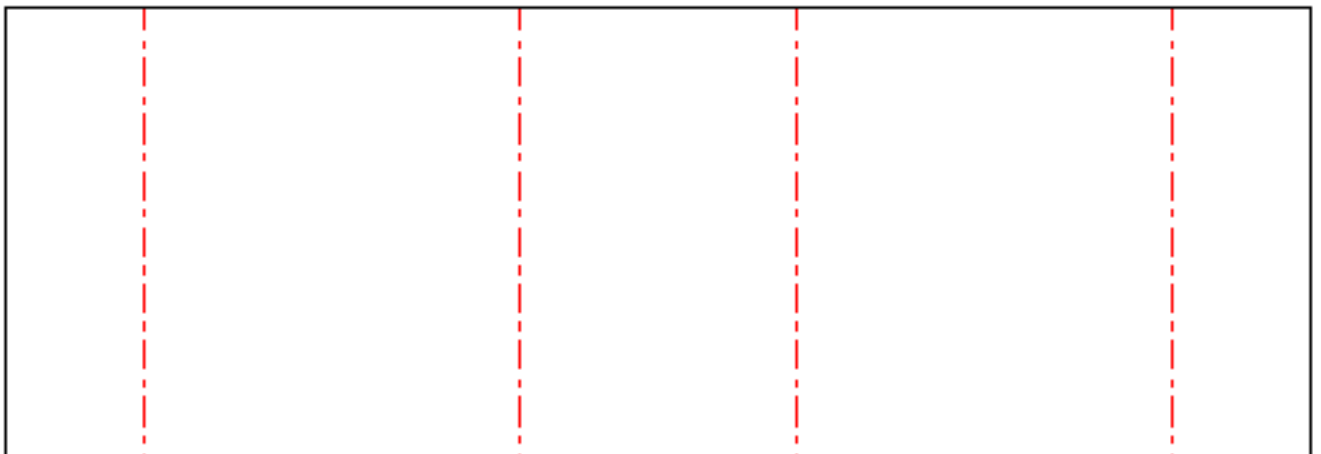
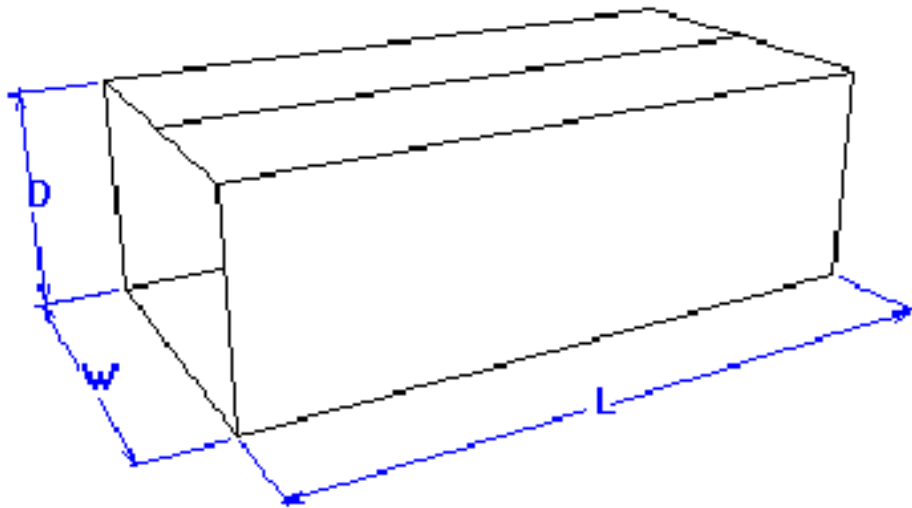


F0909

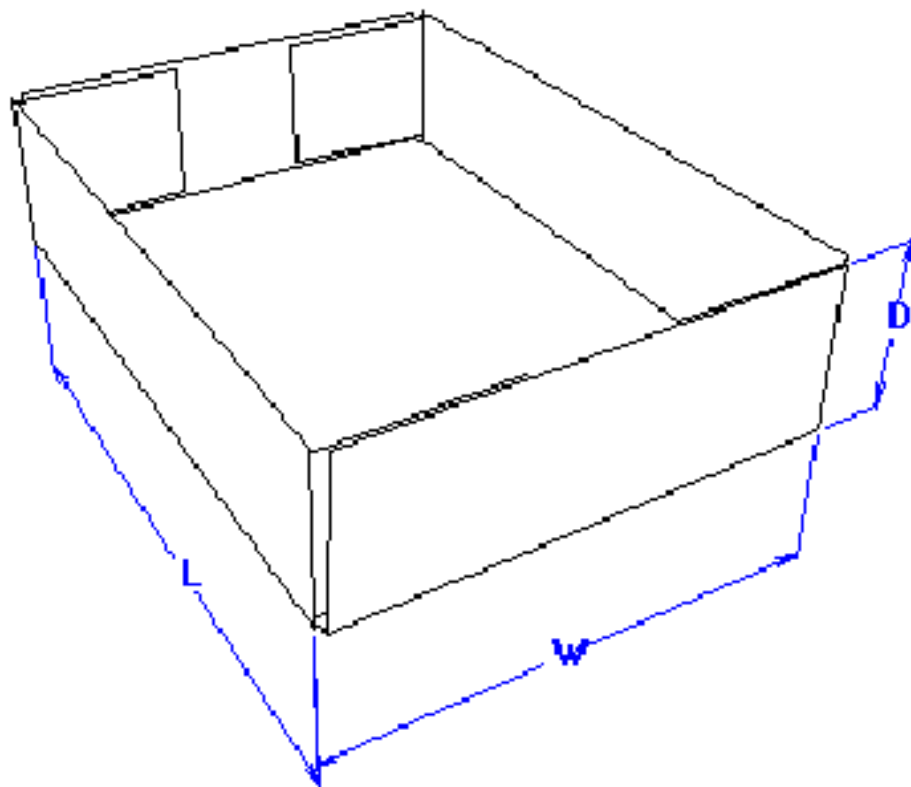


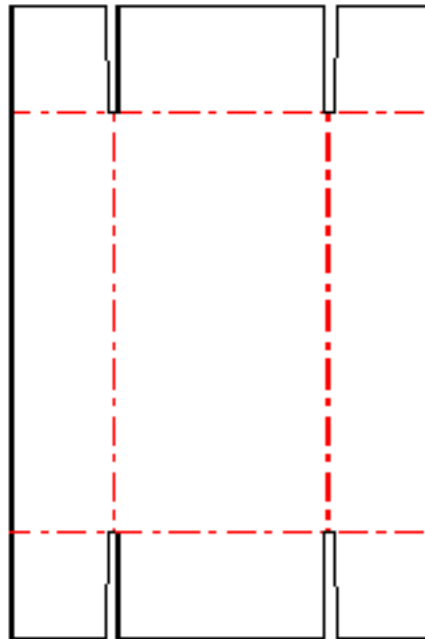


F0910

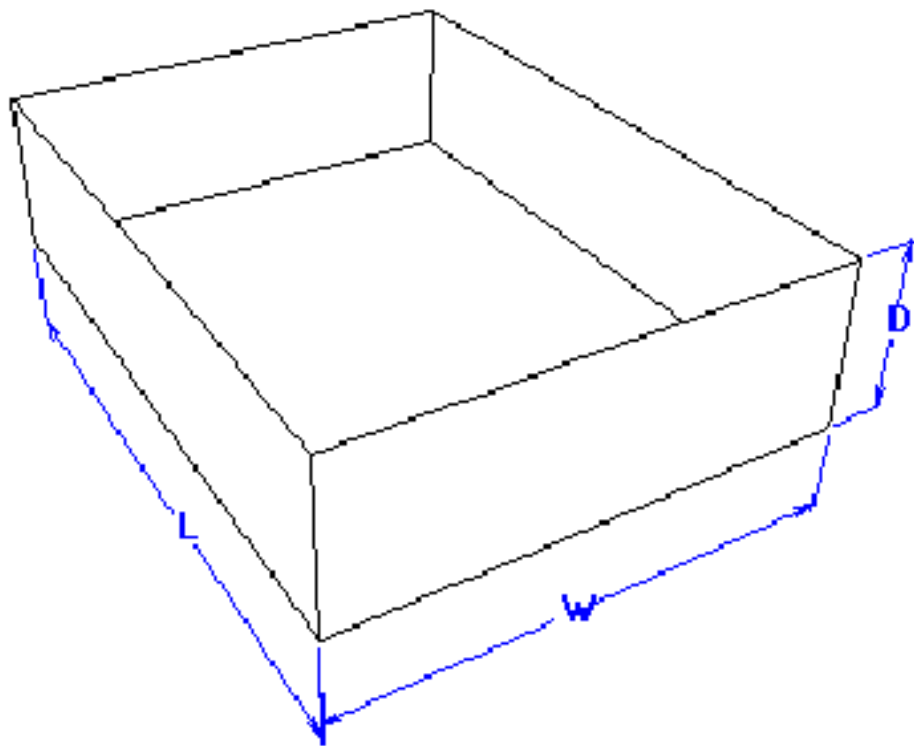


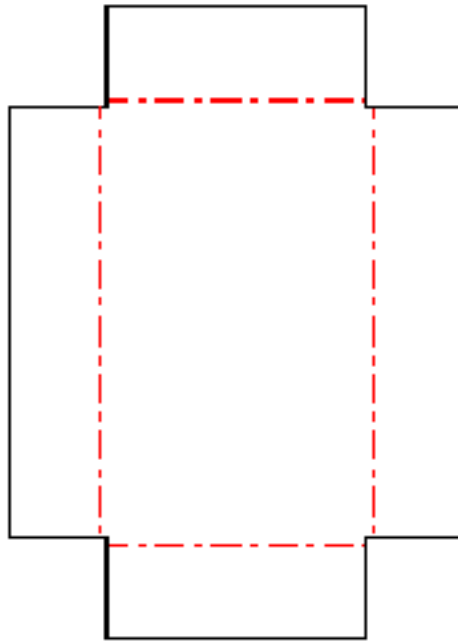
F0911



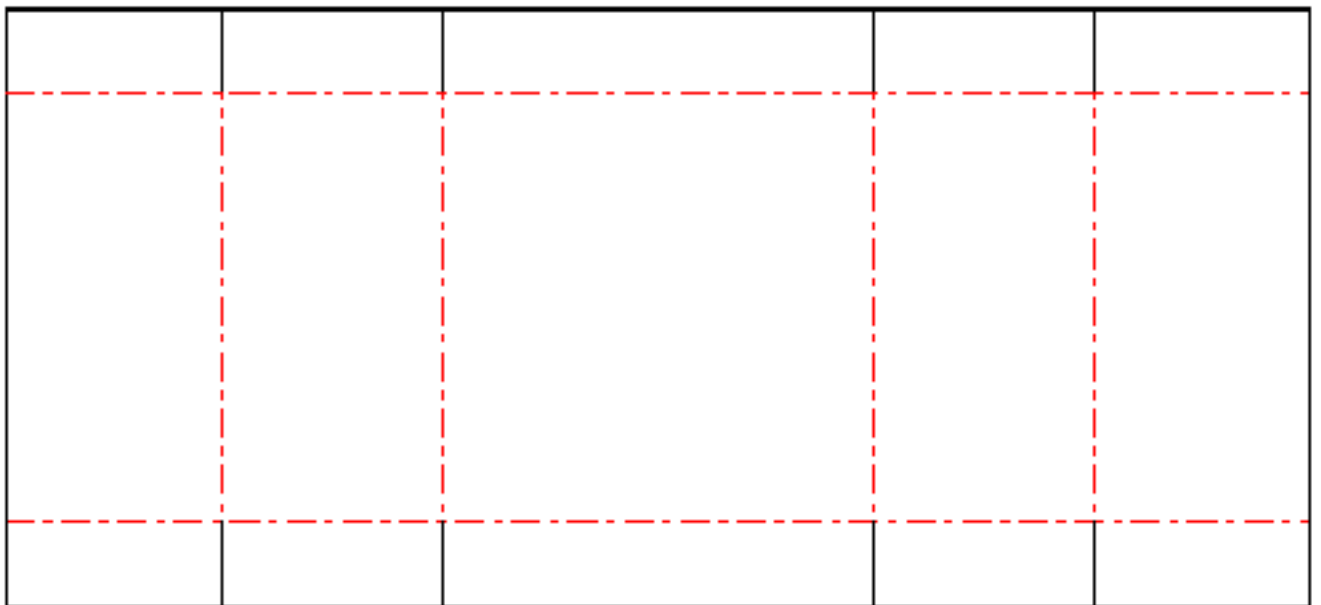
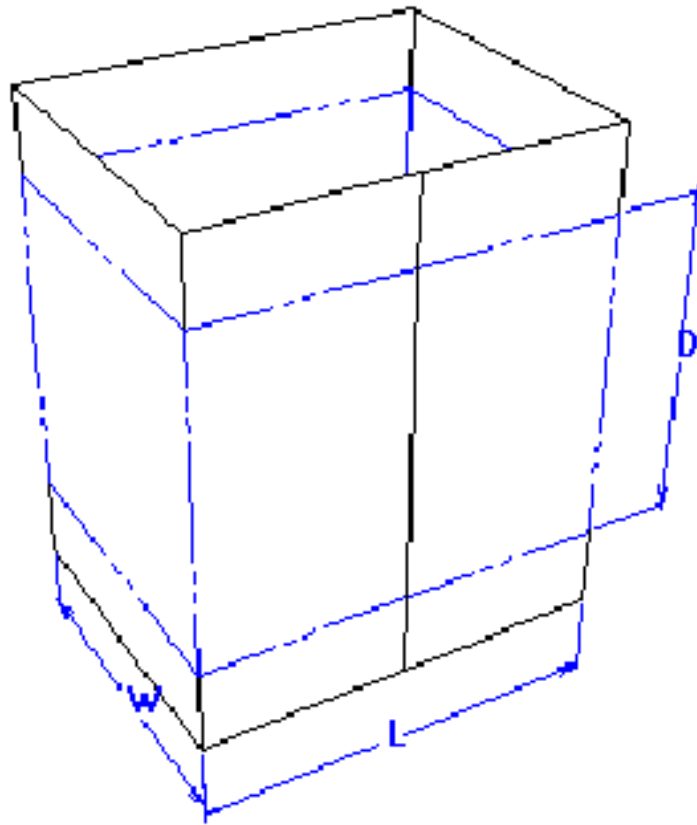


F0912

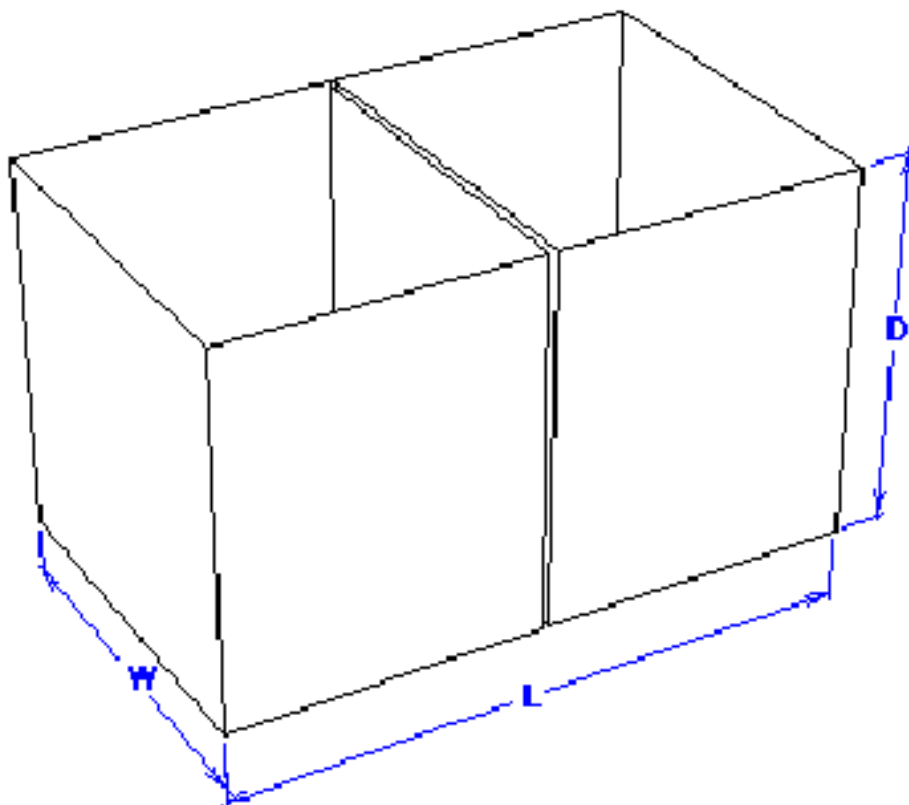




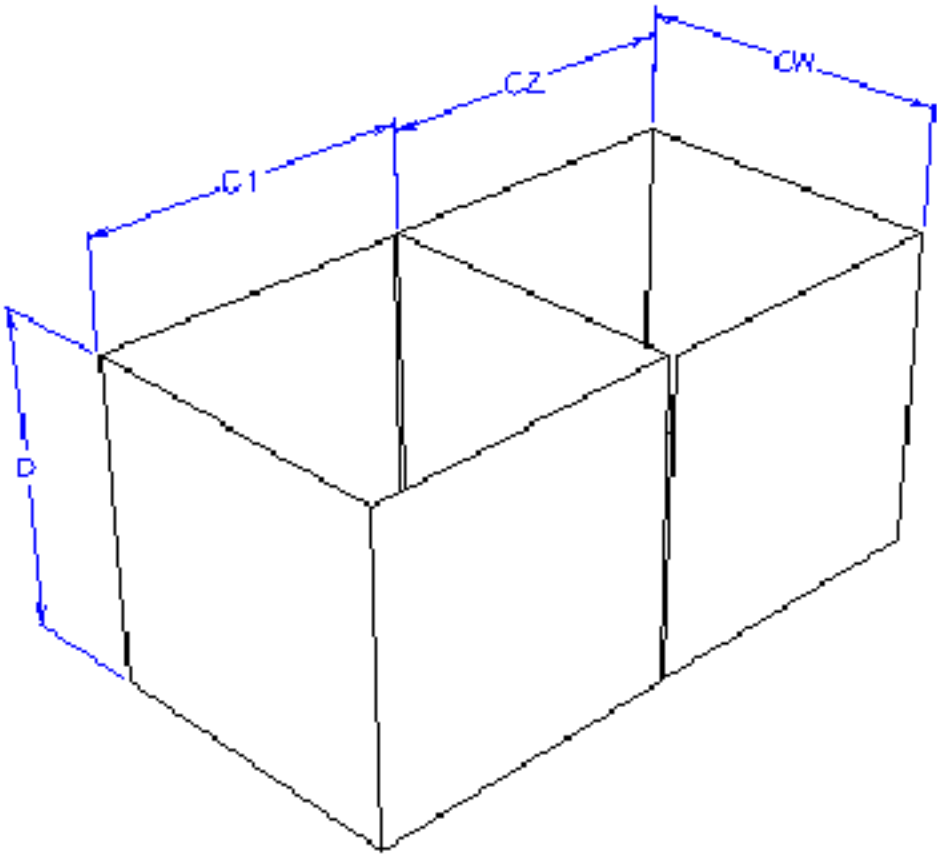
F0913



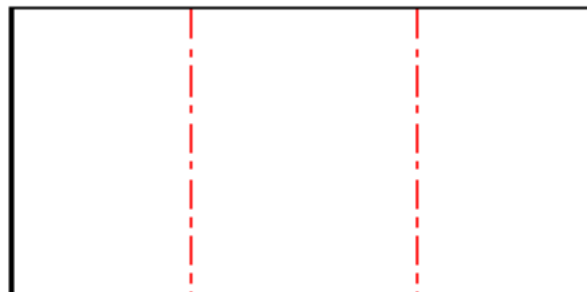
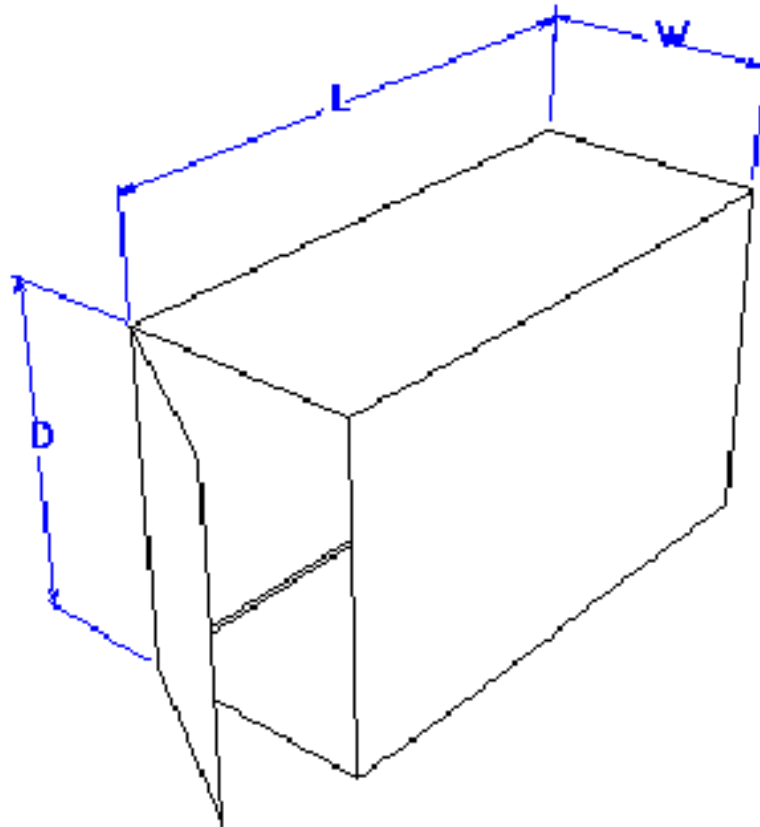
F0920



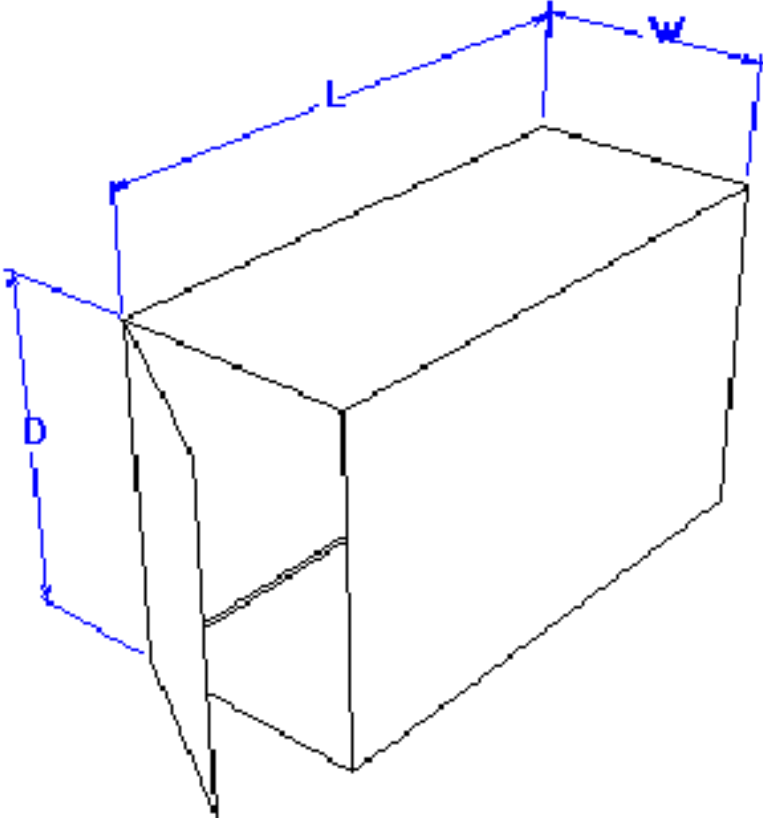
F0921

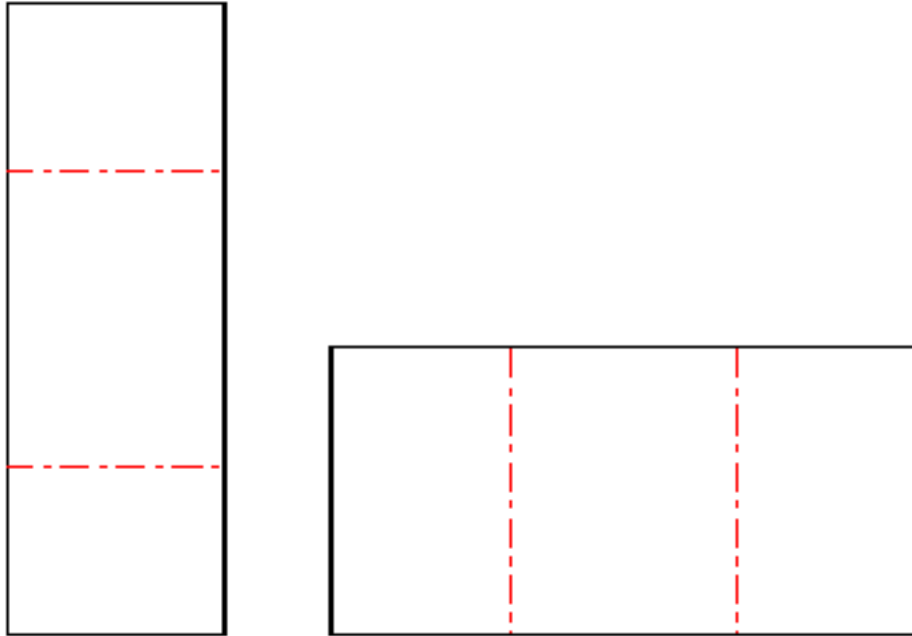


F0929 Length Partition

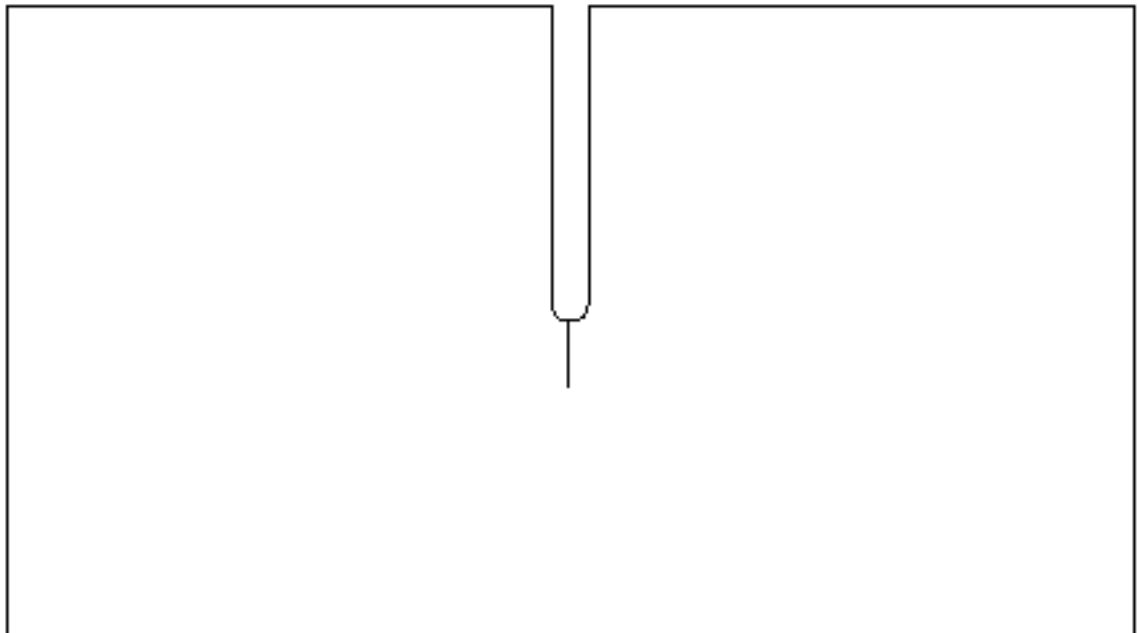
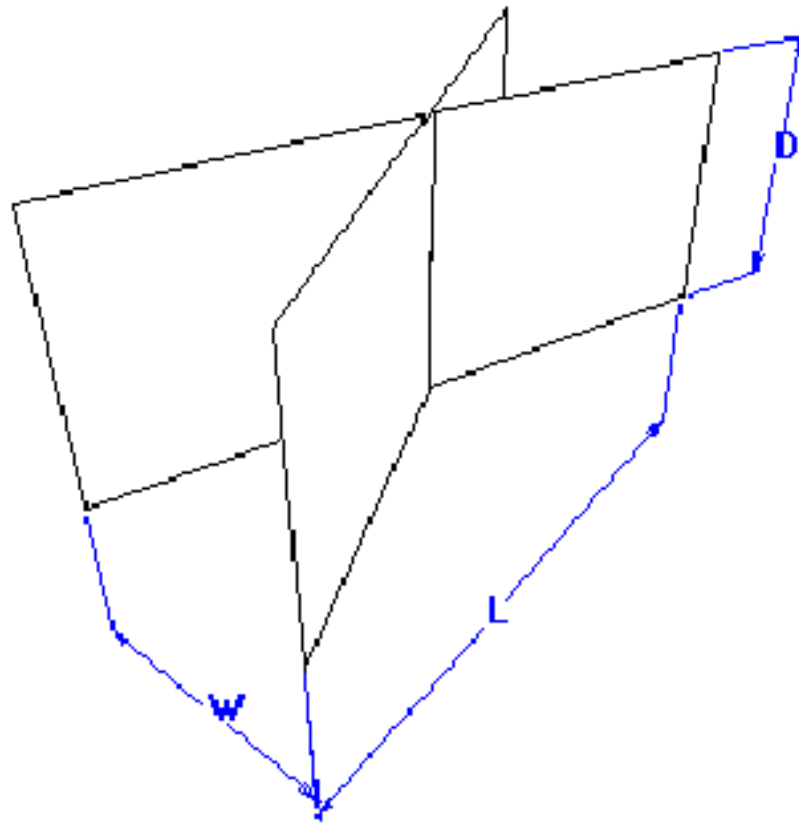


F0929 Width Partition

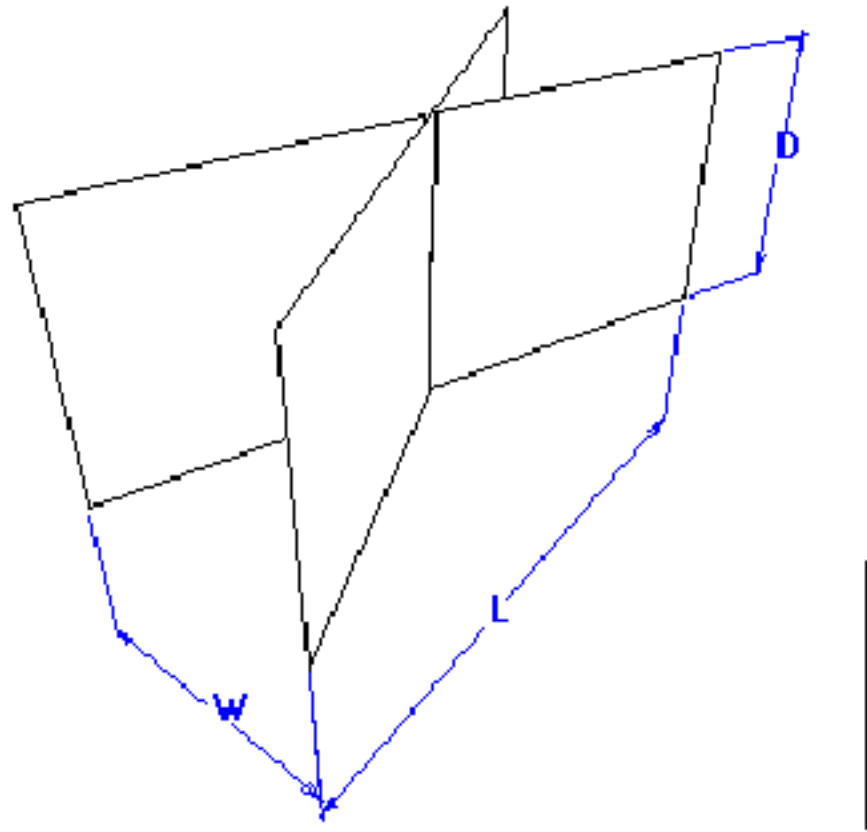


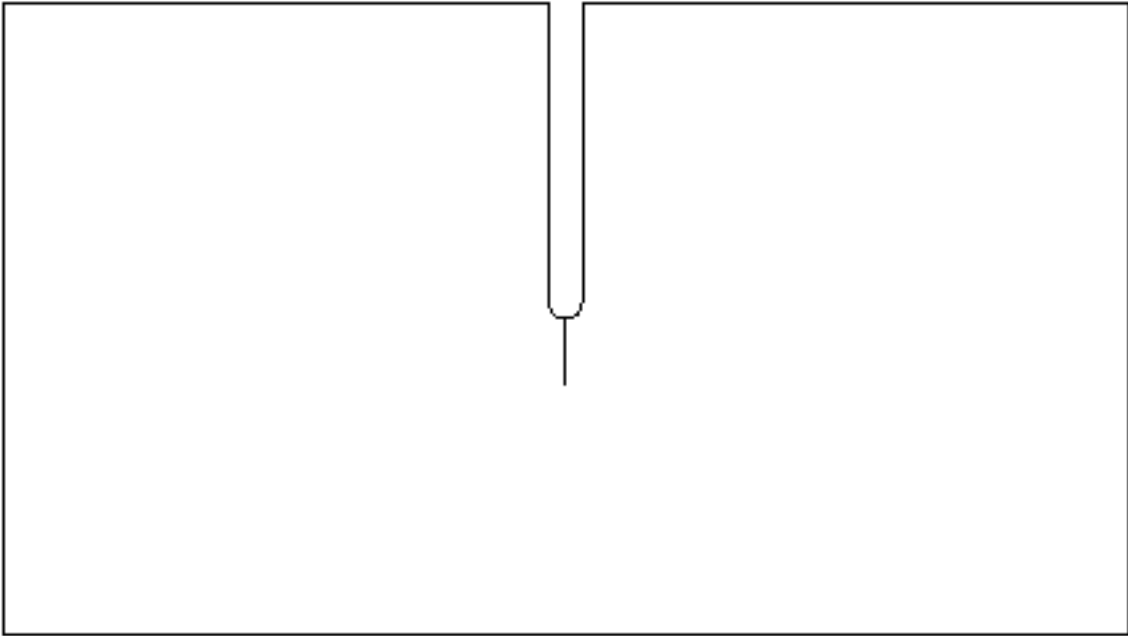


F0930 Length Partition

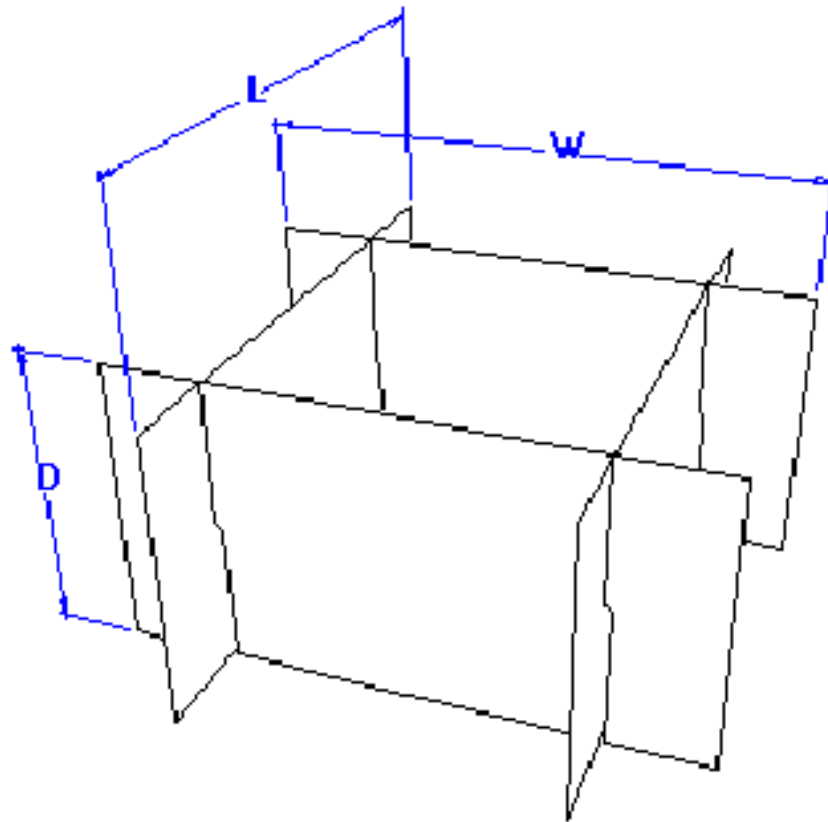


F0930 Width Partition

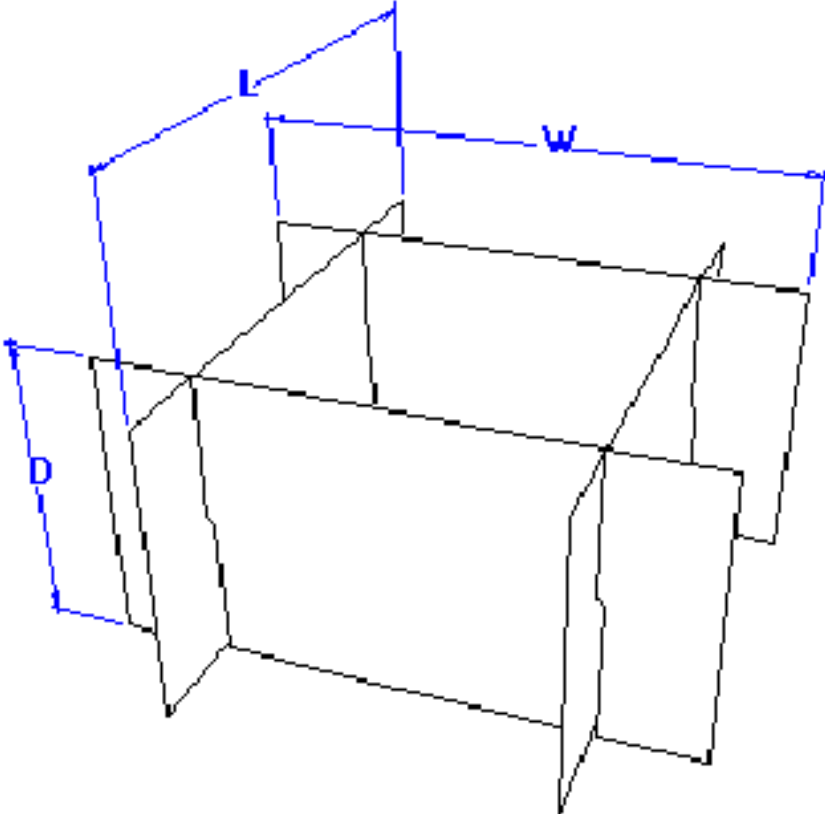


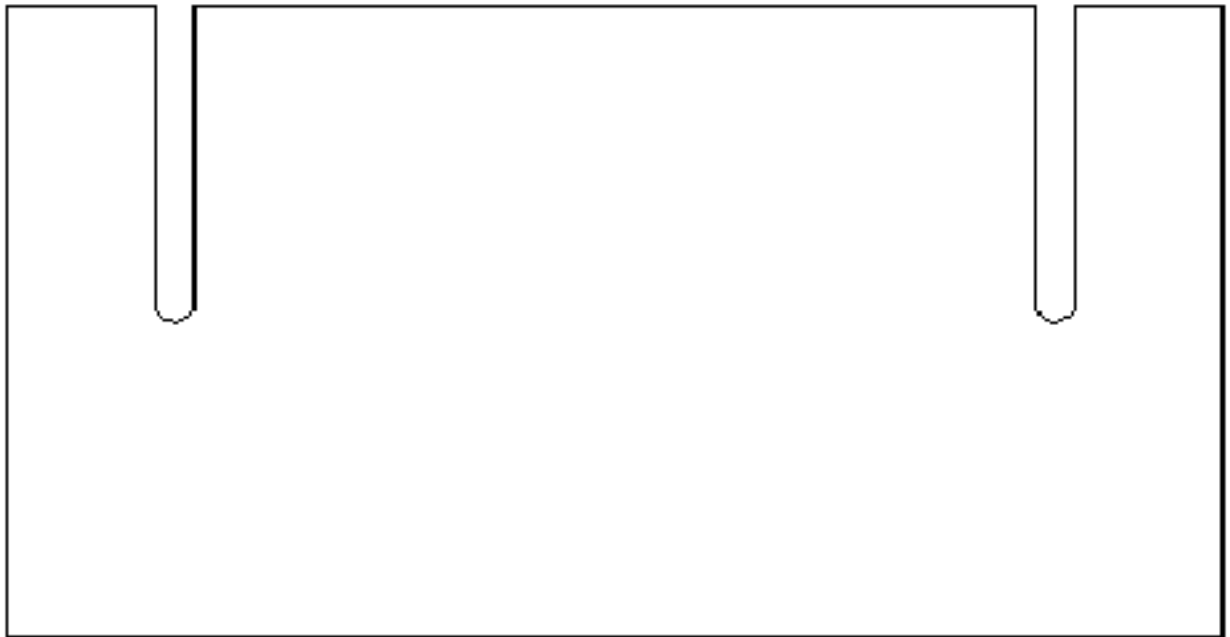


F0931 Length Partition

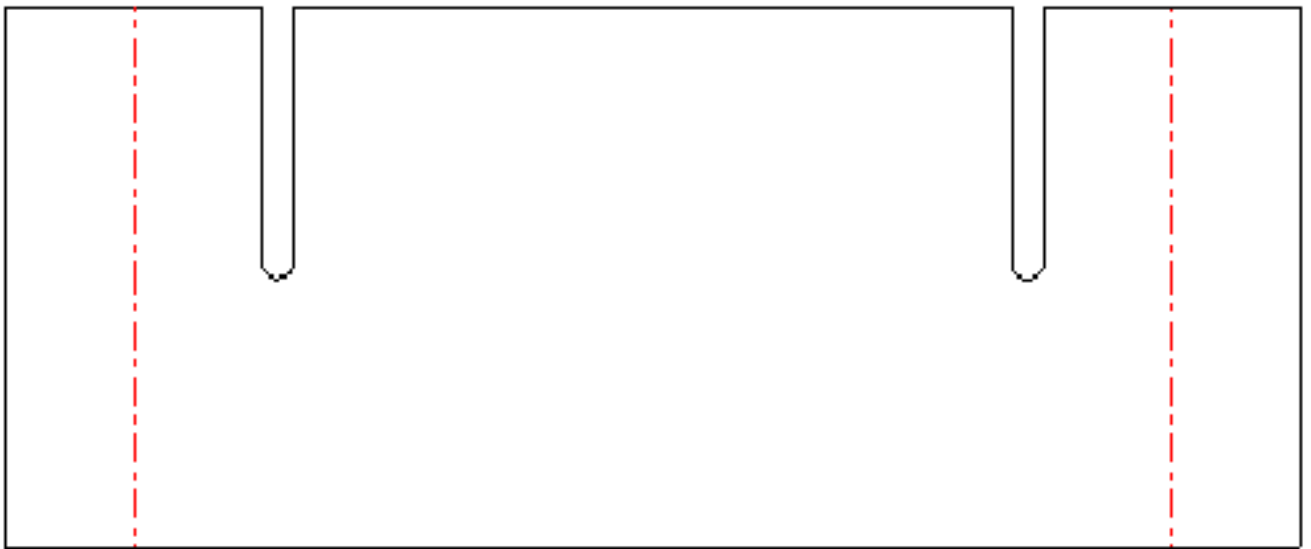
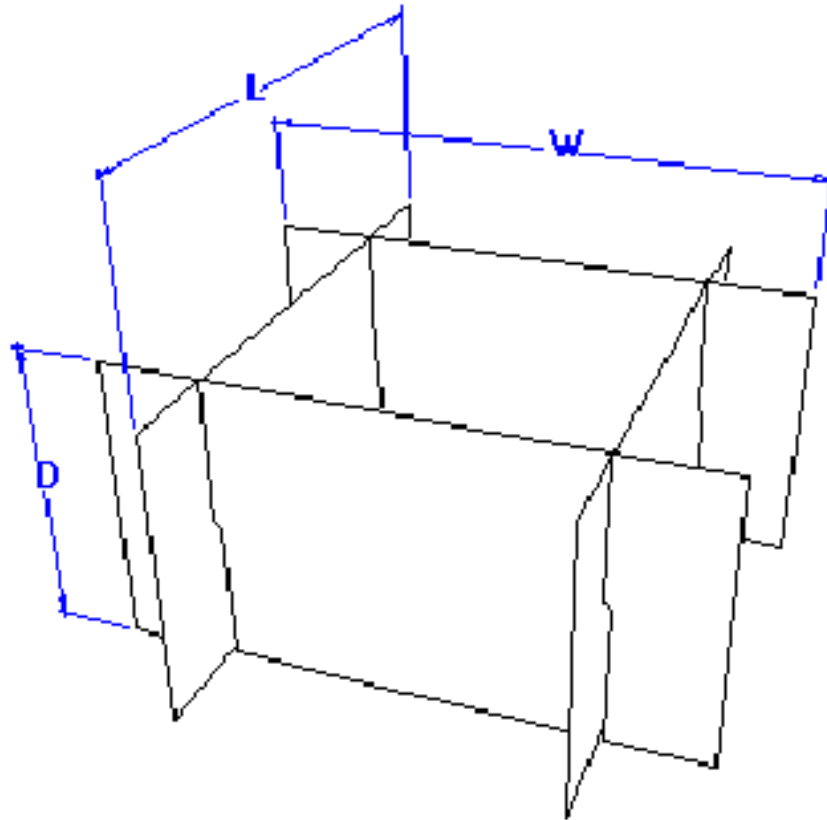


F0931 Width Partition

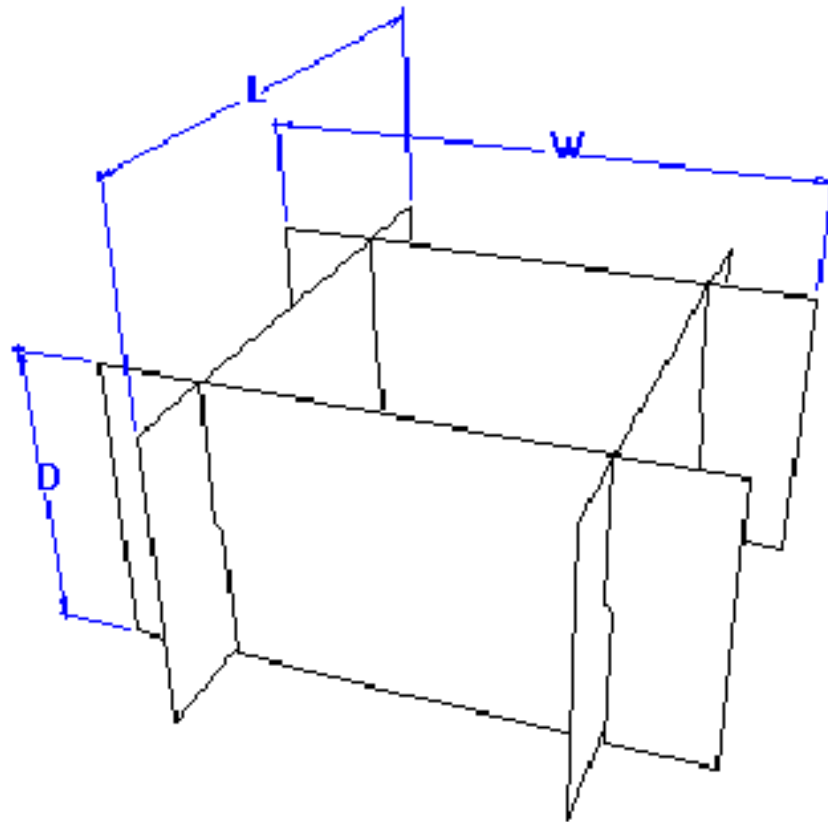




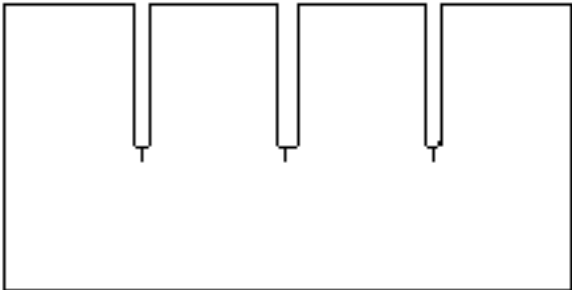
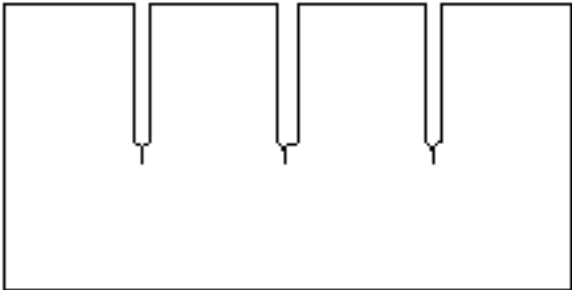
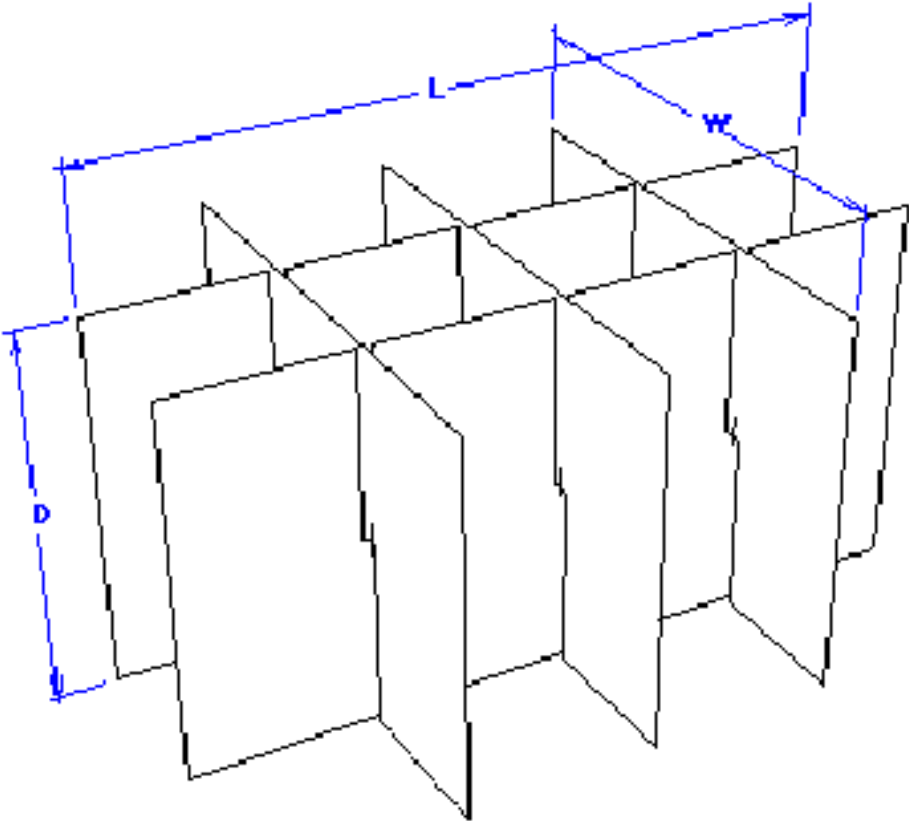
F0932 Length Partition



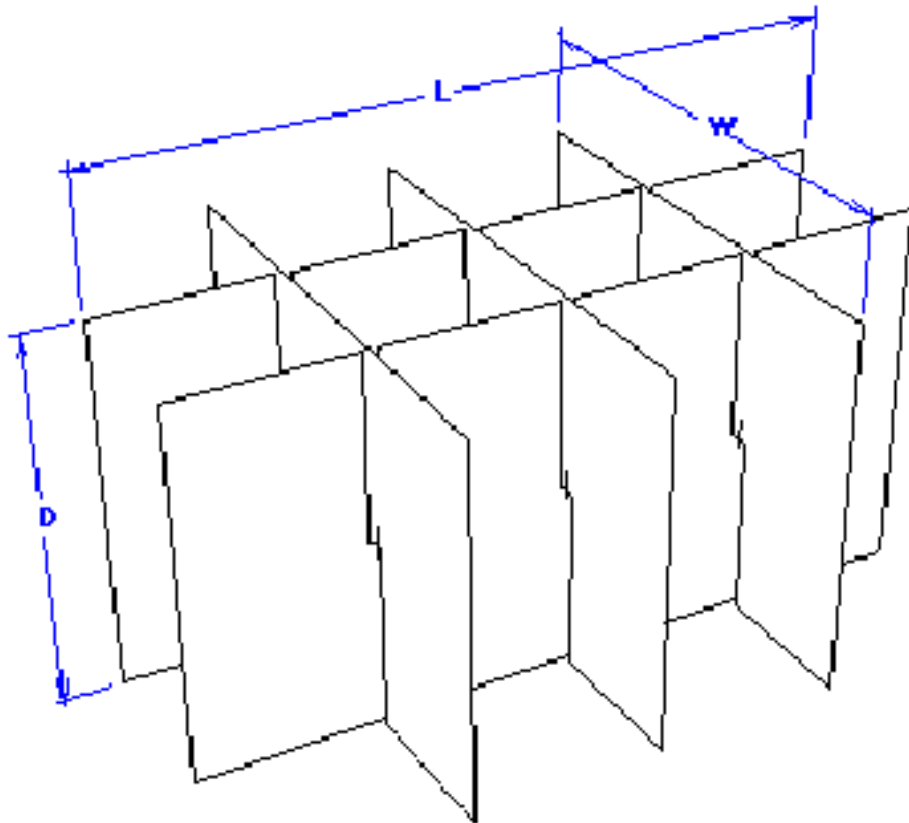
F0932 Width Partition

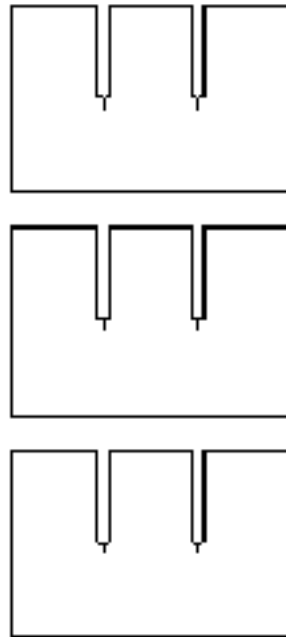


F0933 Length Partition

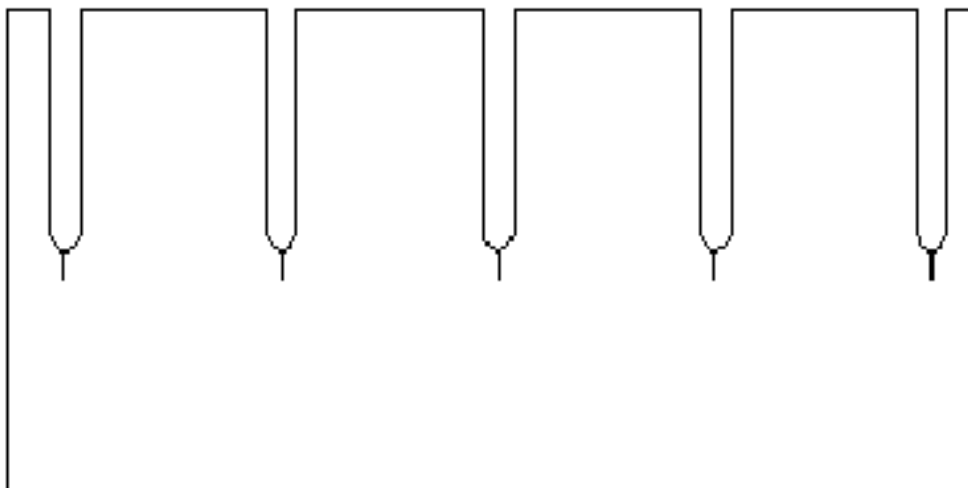
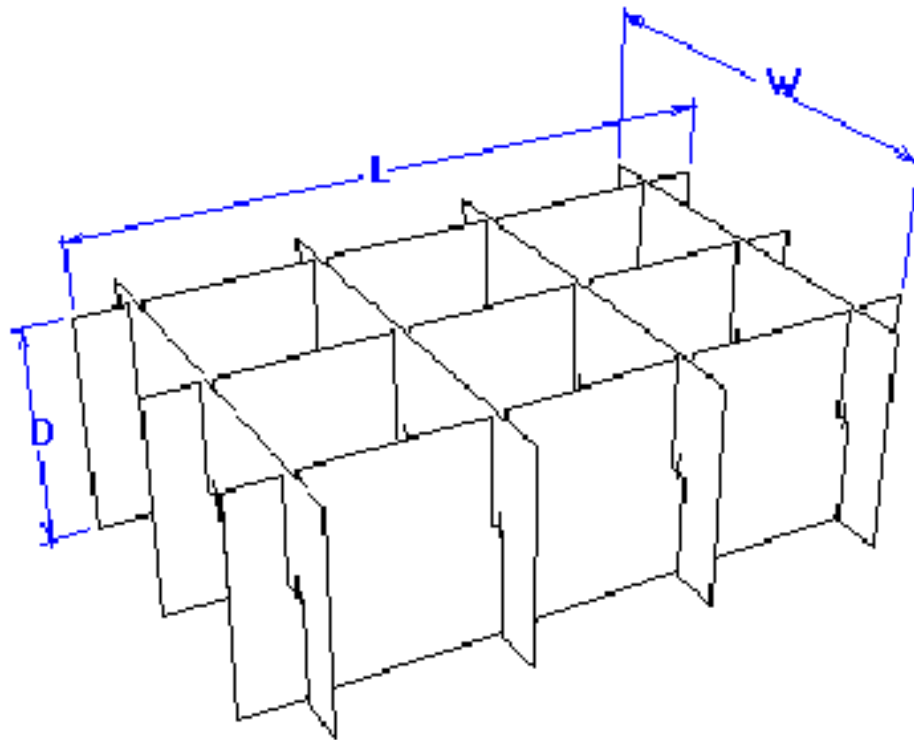


F0933 Width Partition

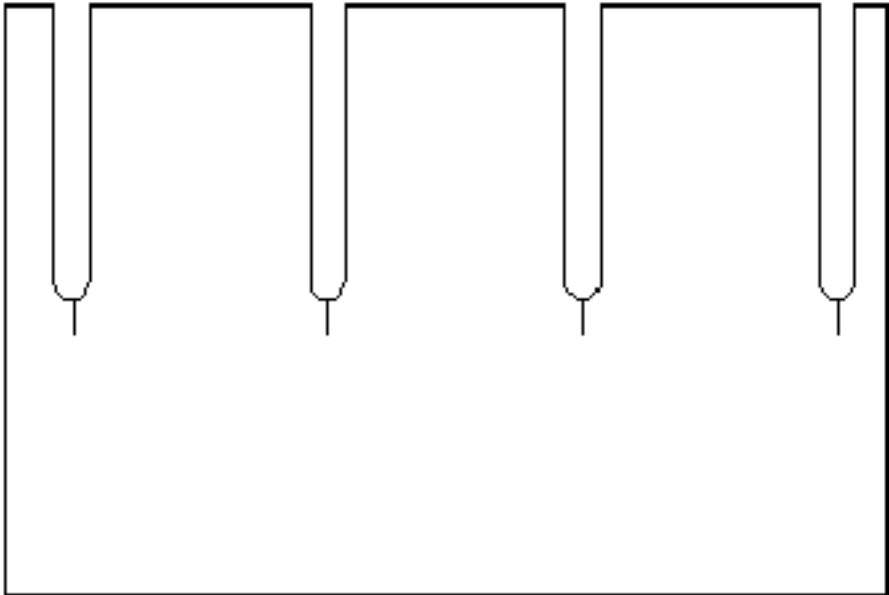
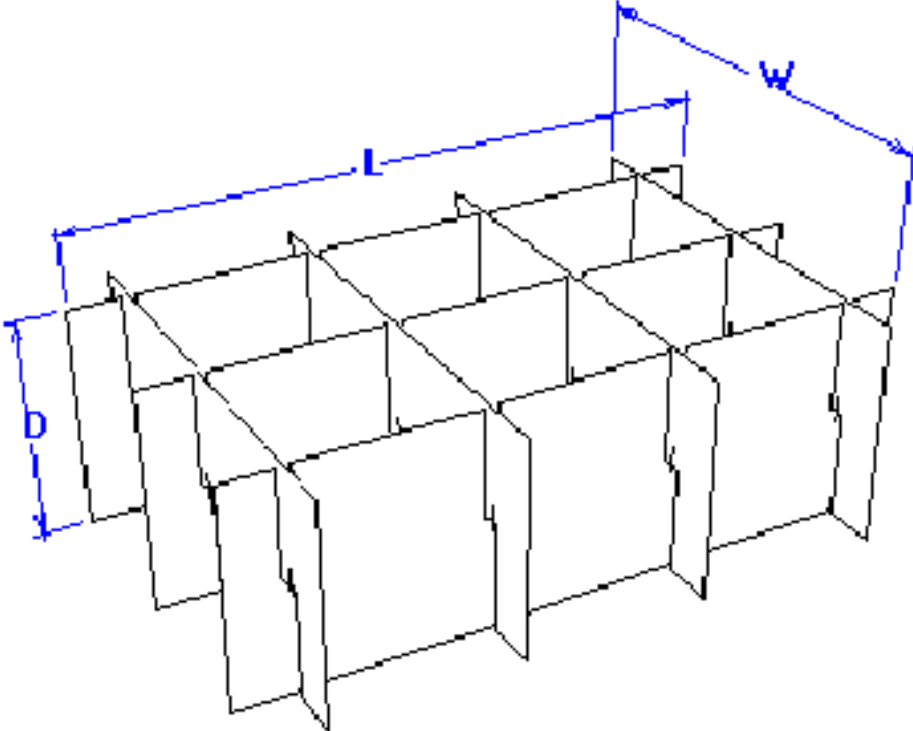




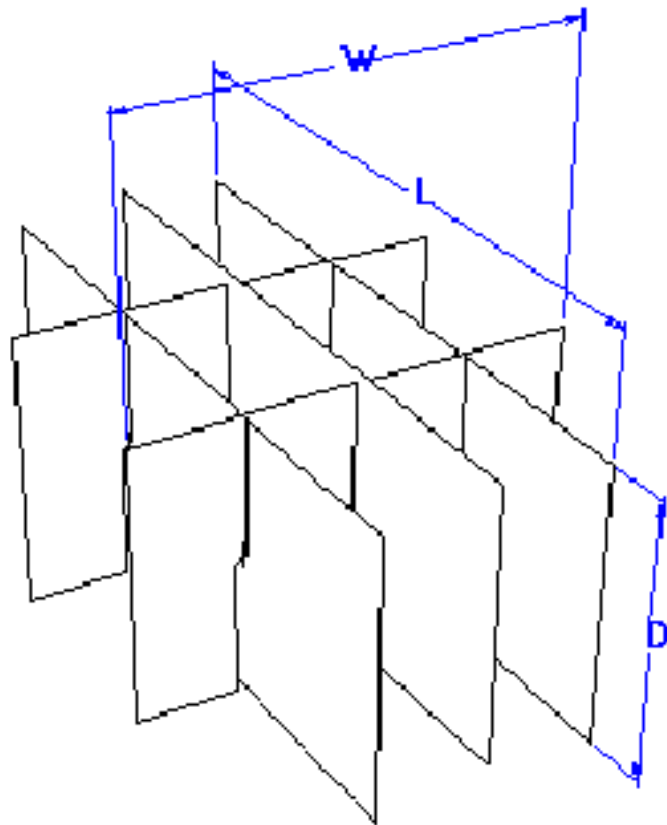
F0934 Length Partition



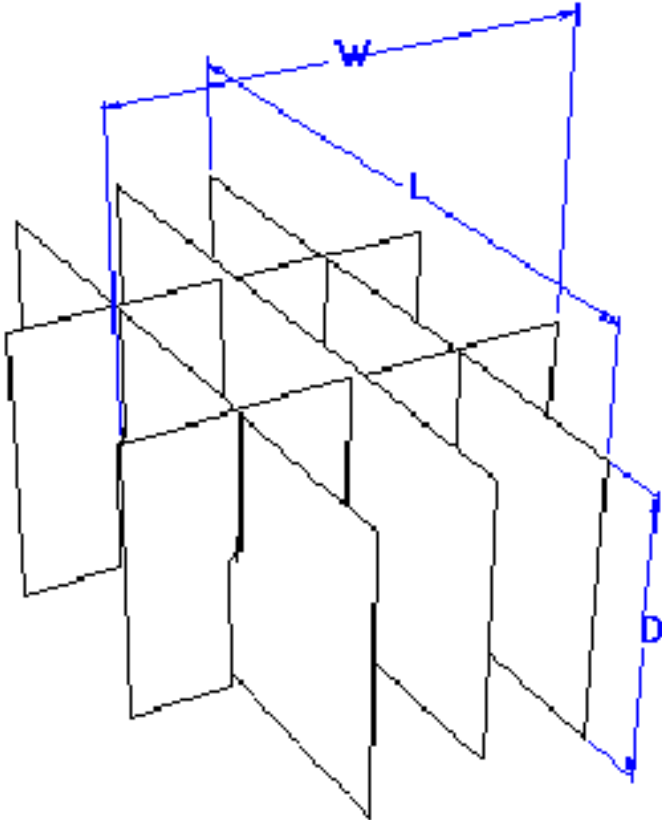
F0934 Width Partition

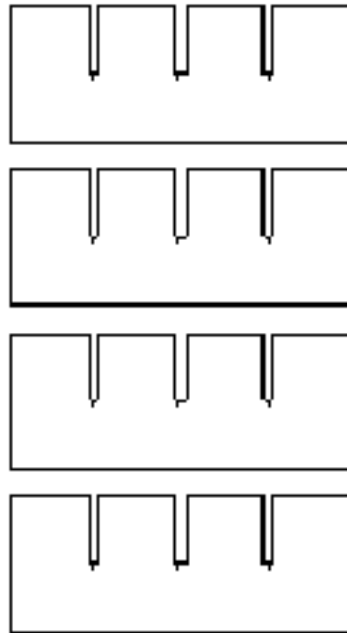


F0935 Divider

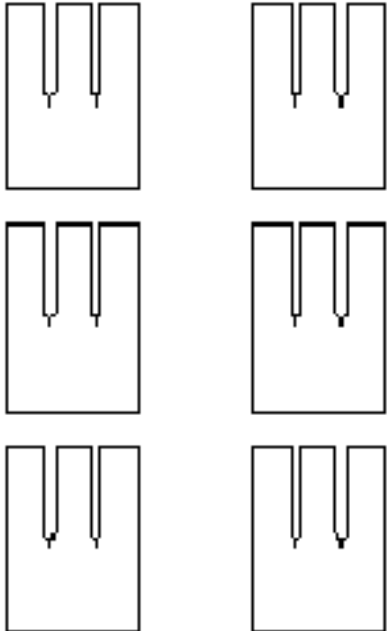
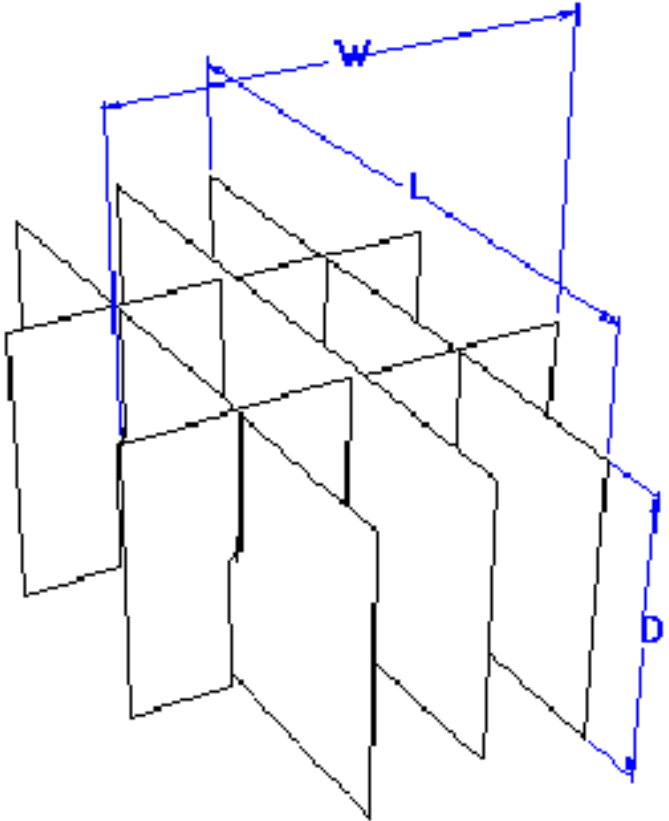


F0935 Length Partition

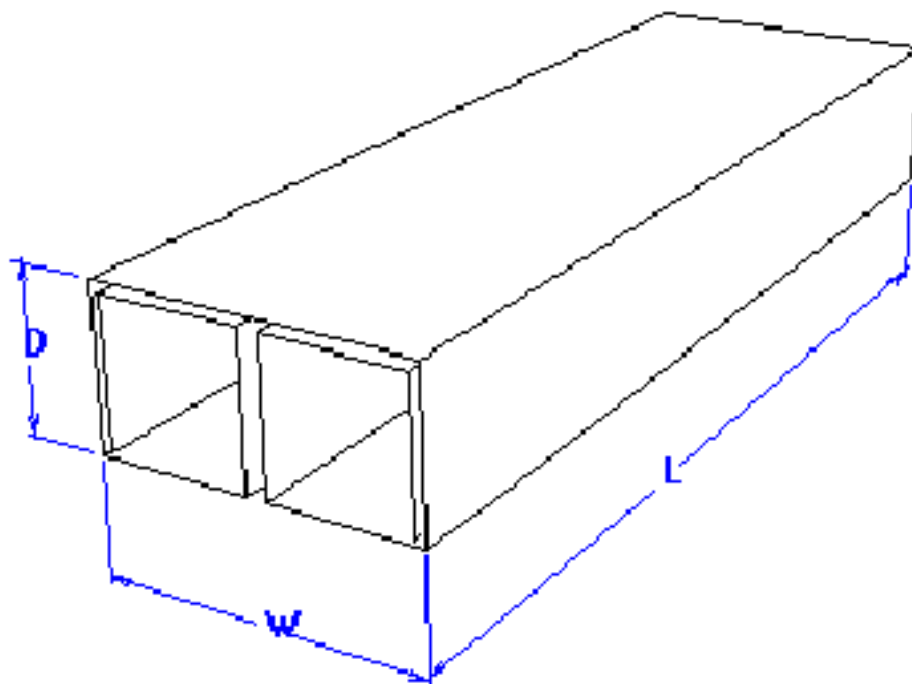




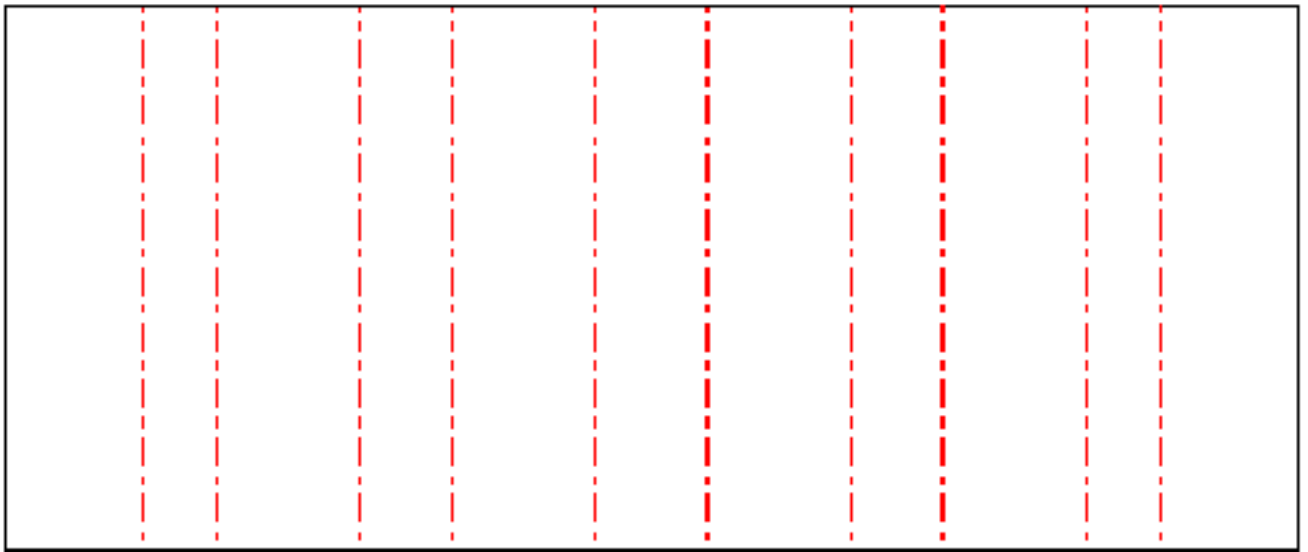
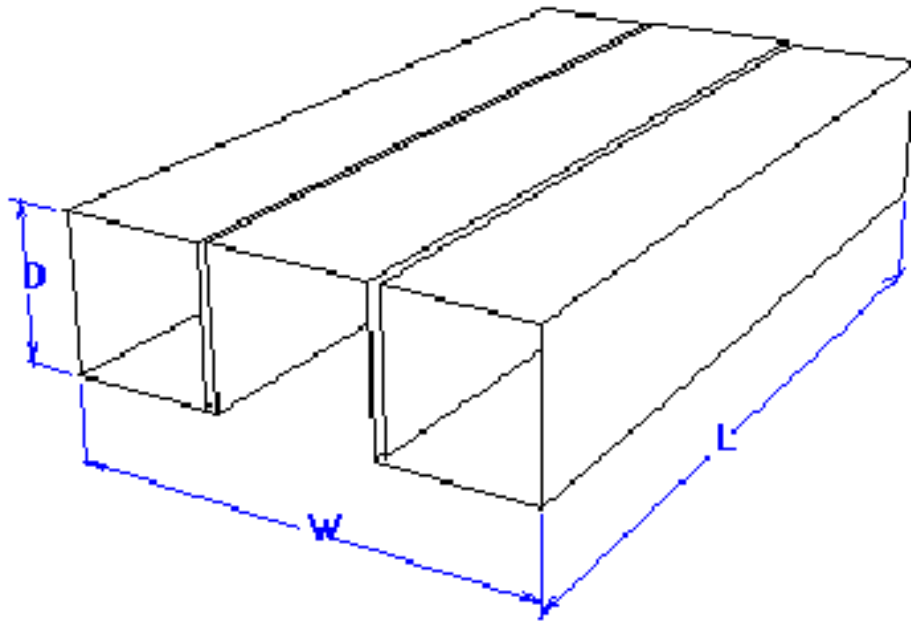
F0935 Width Partition



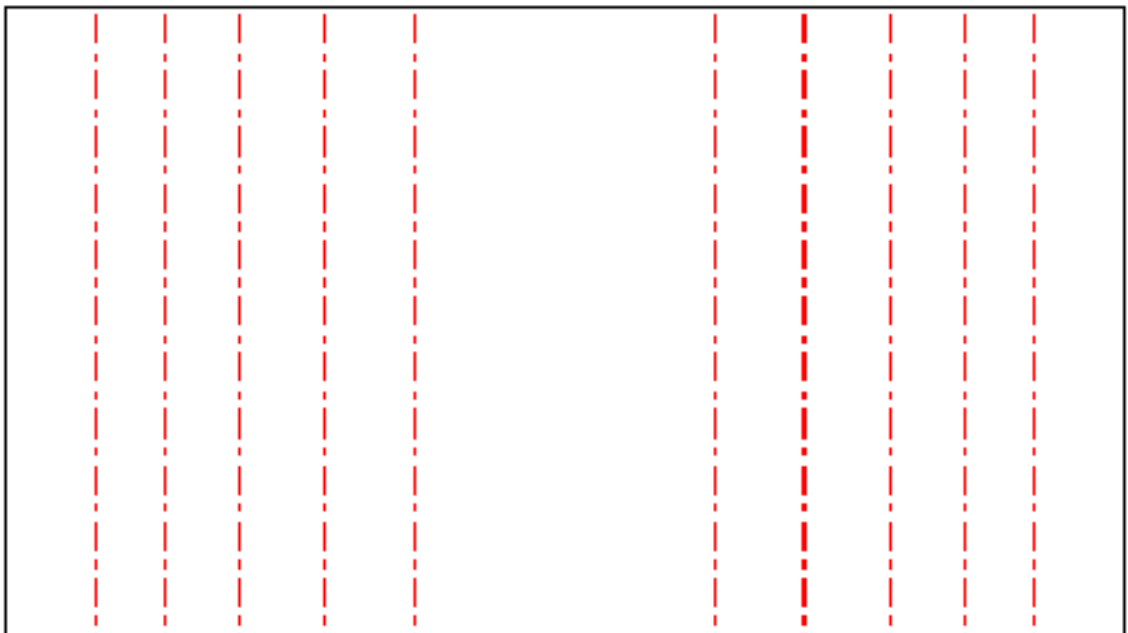
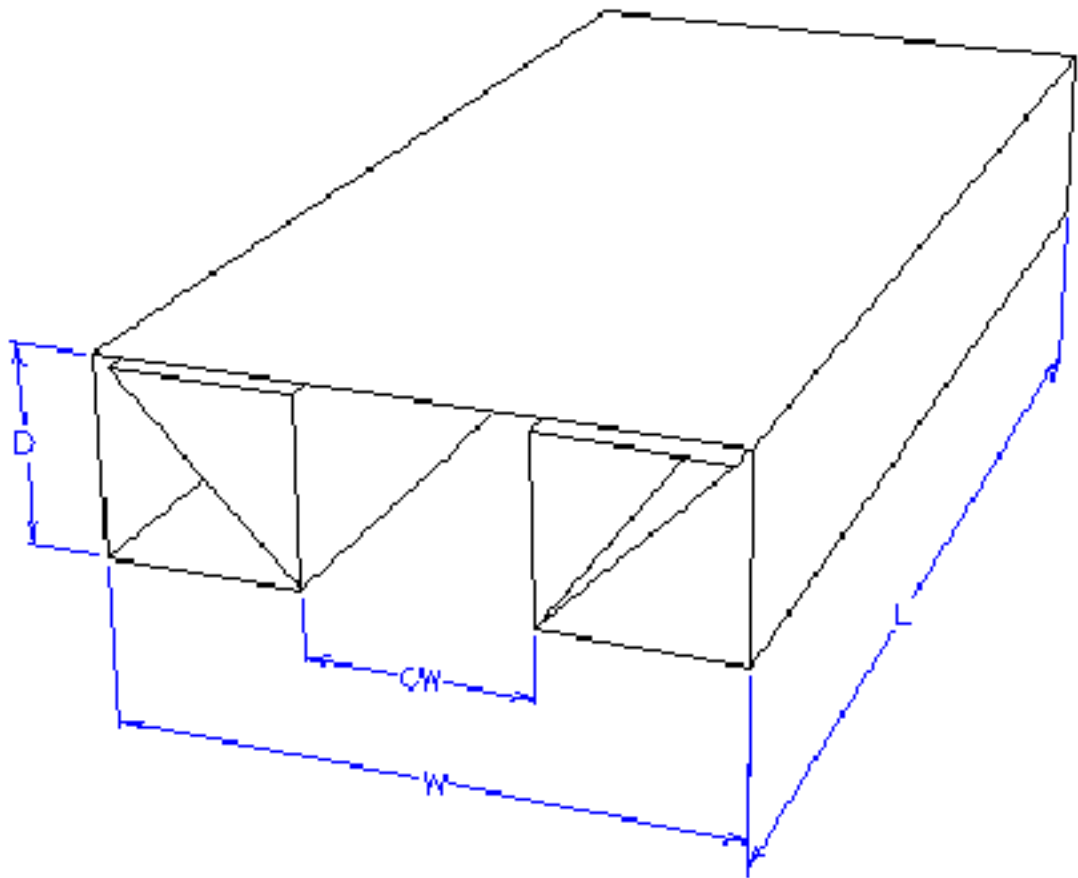
F0940



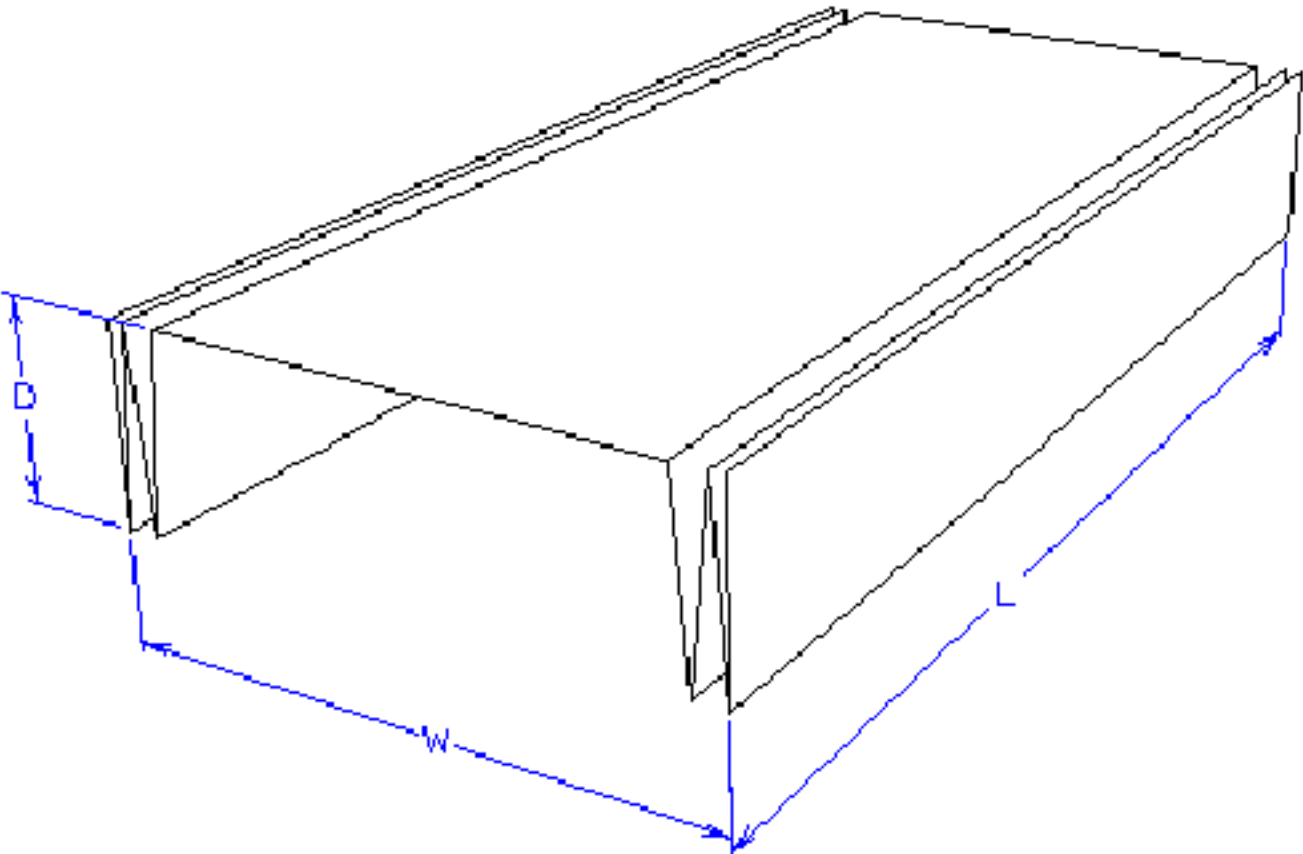
F0941

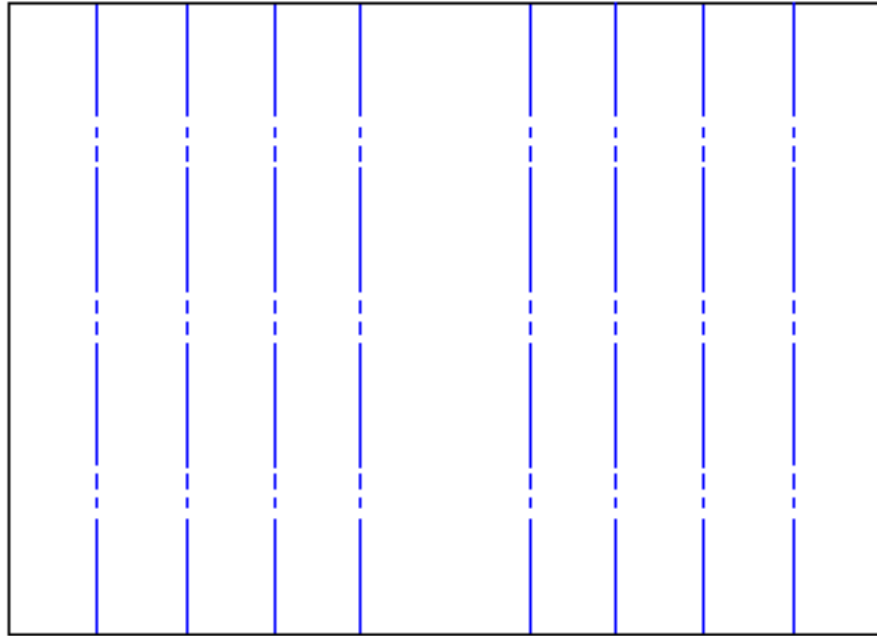


F0942

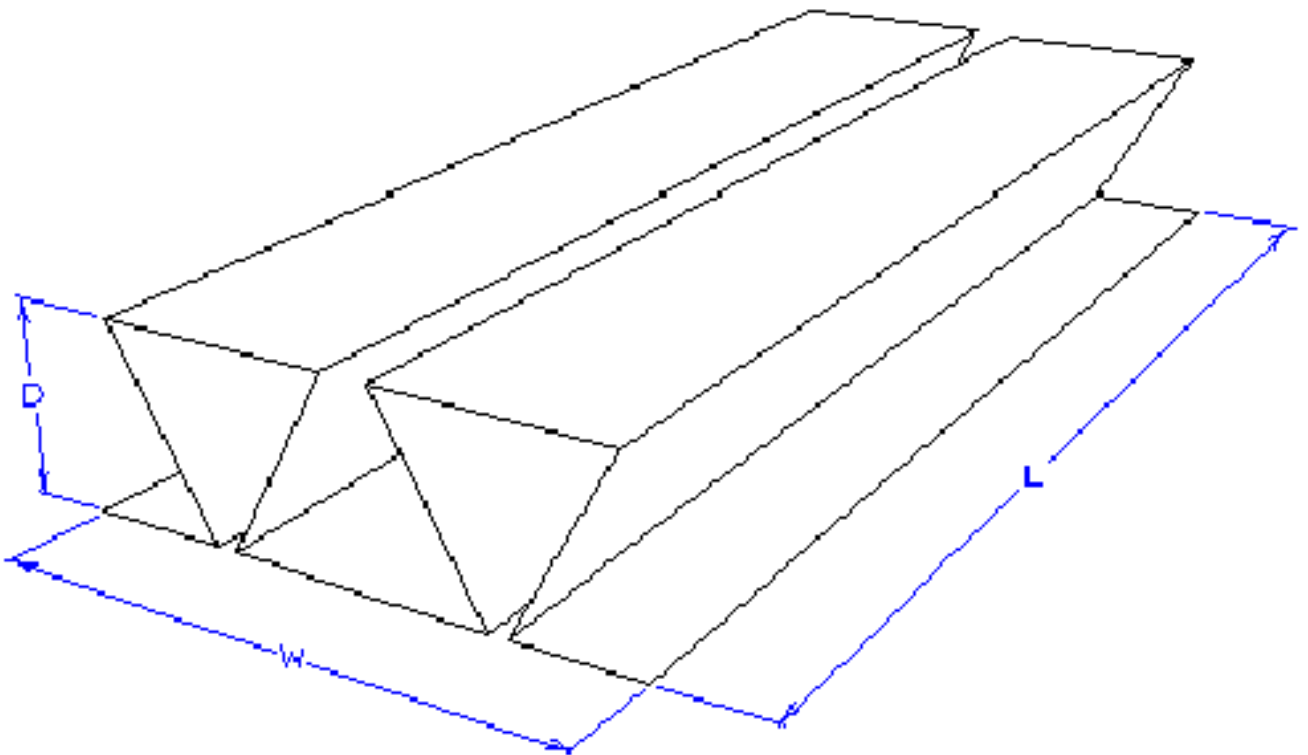


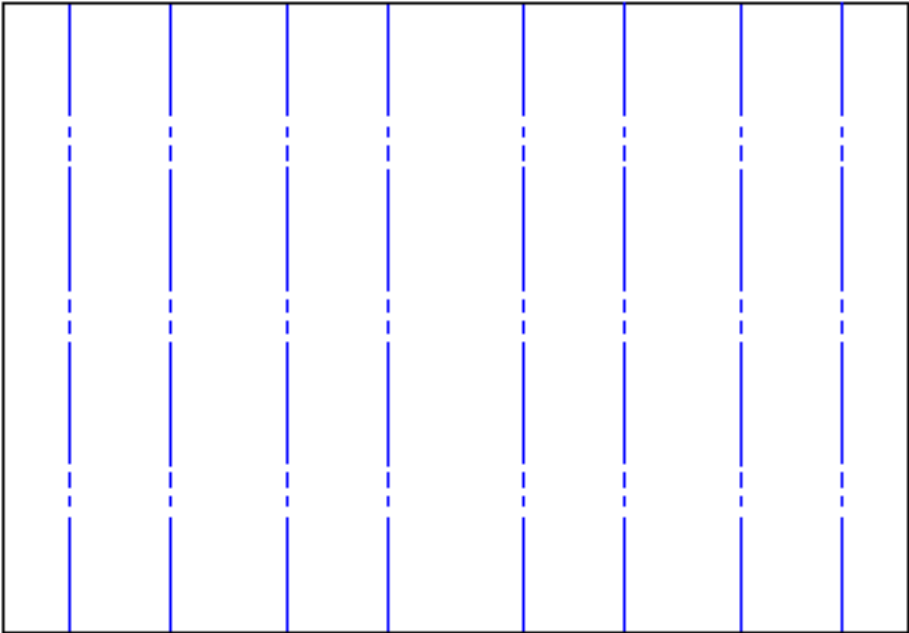
F0943



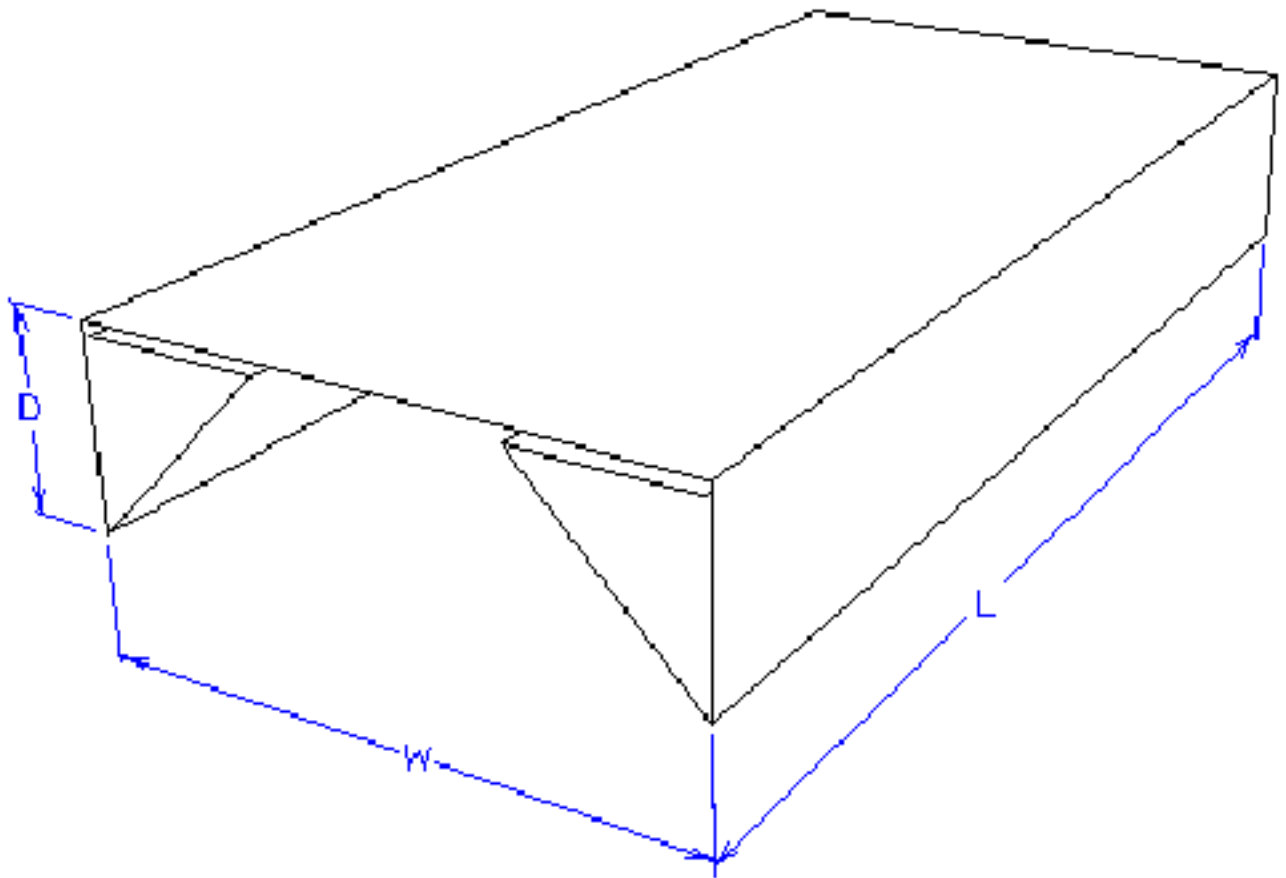


F0944

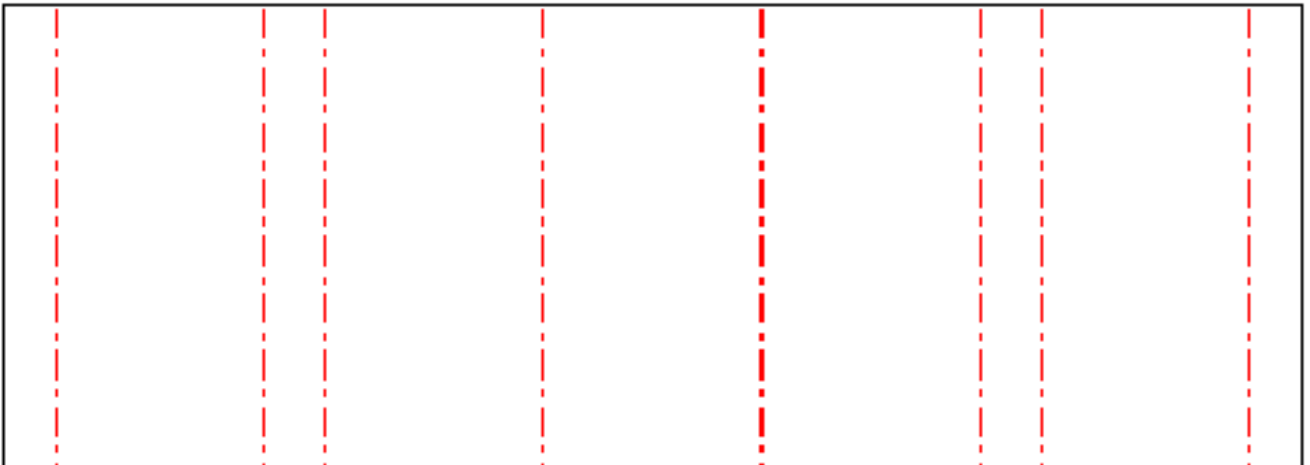
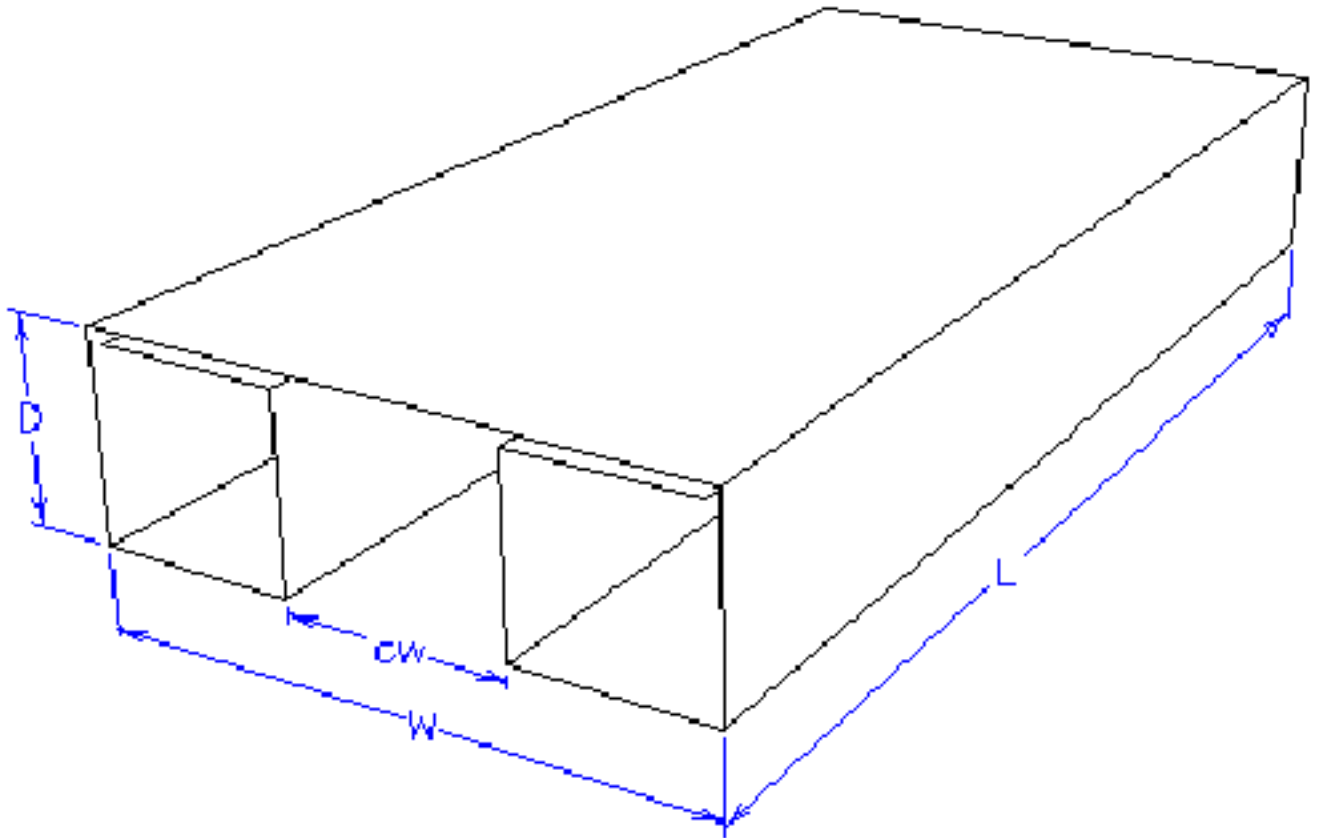




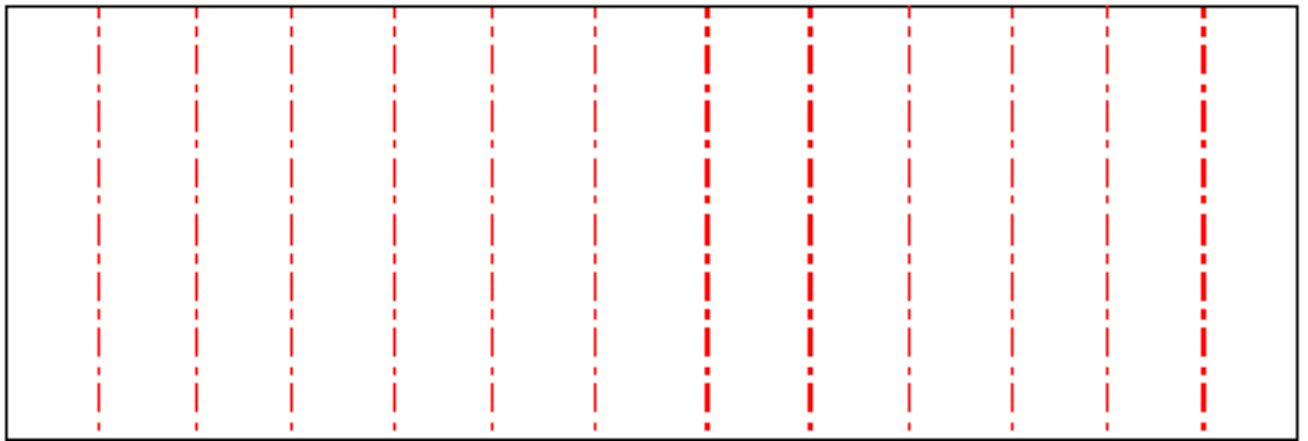
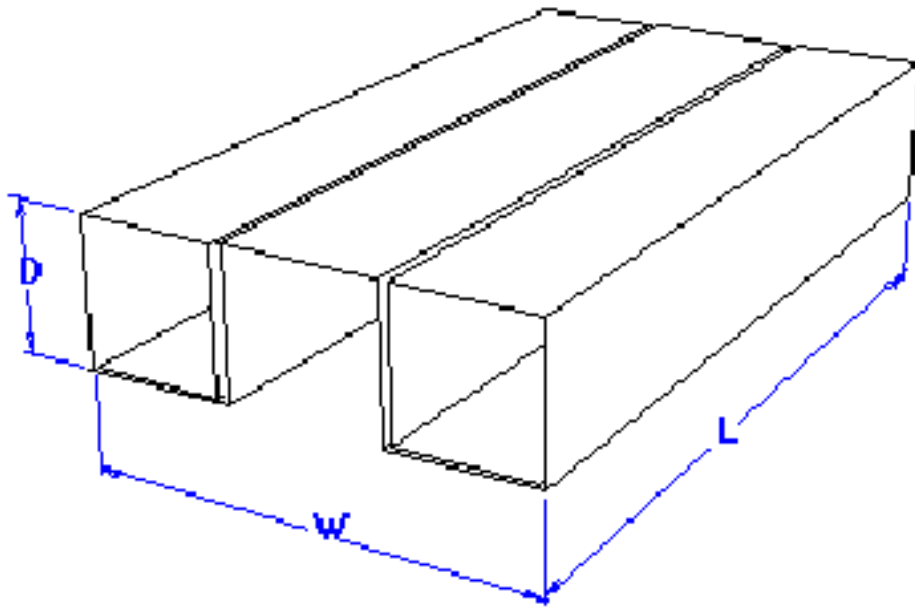
F0945



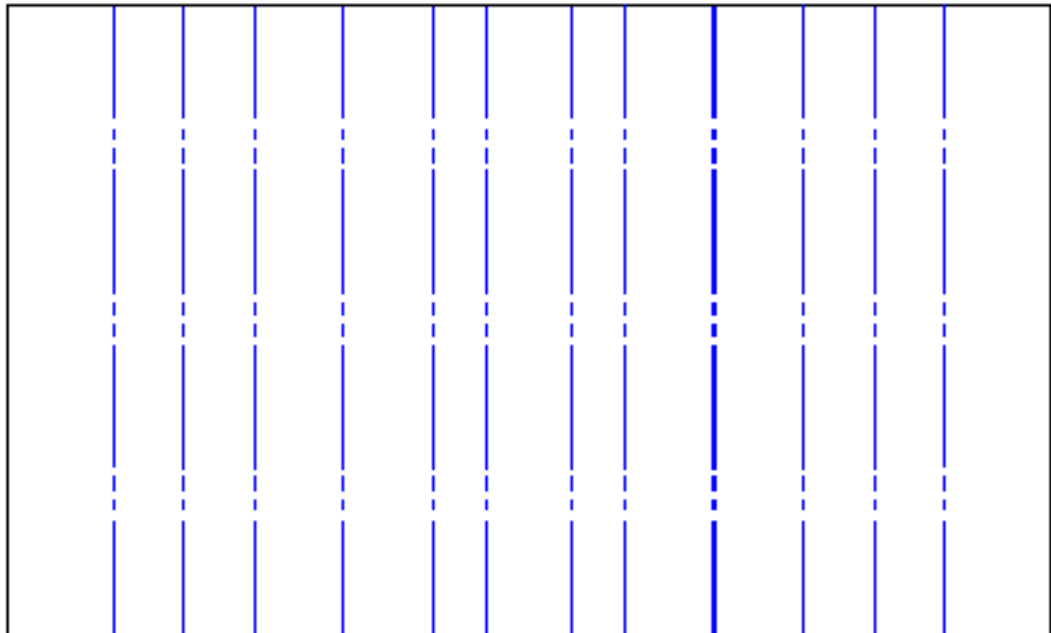
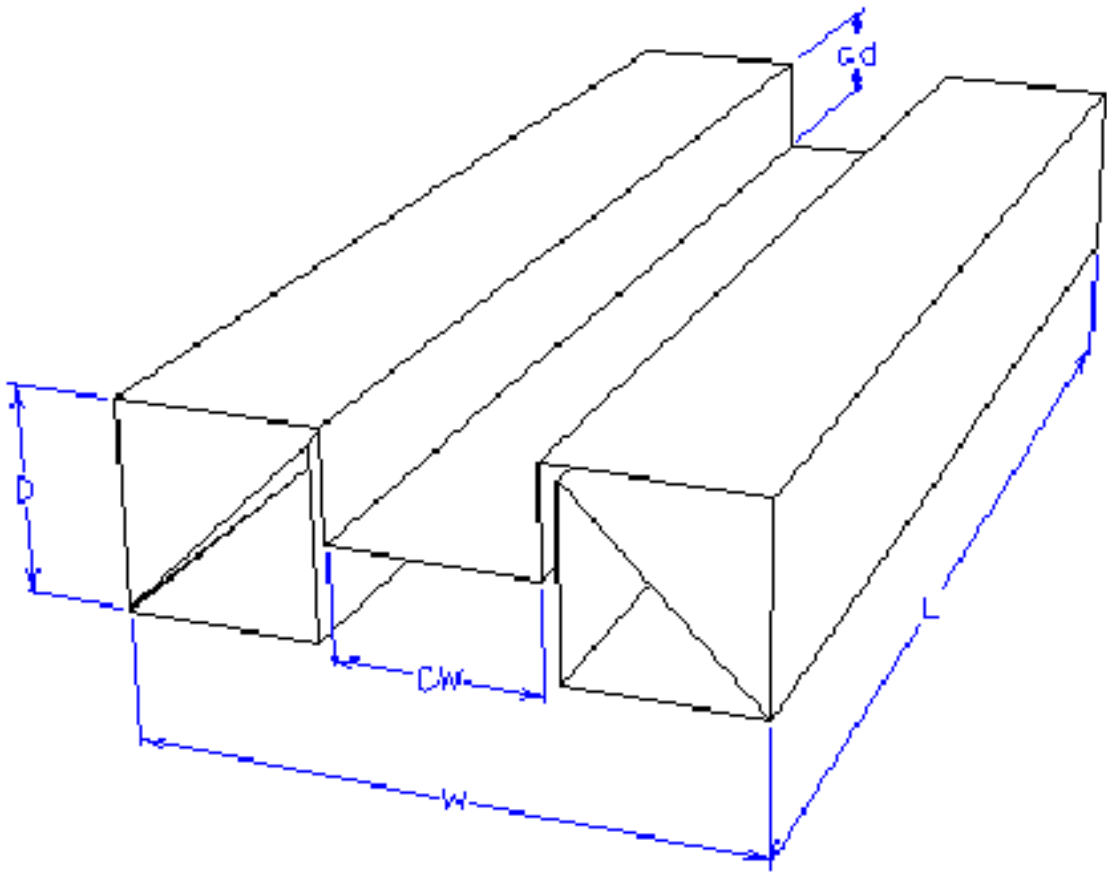
F0946



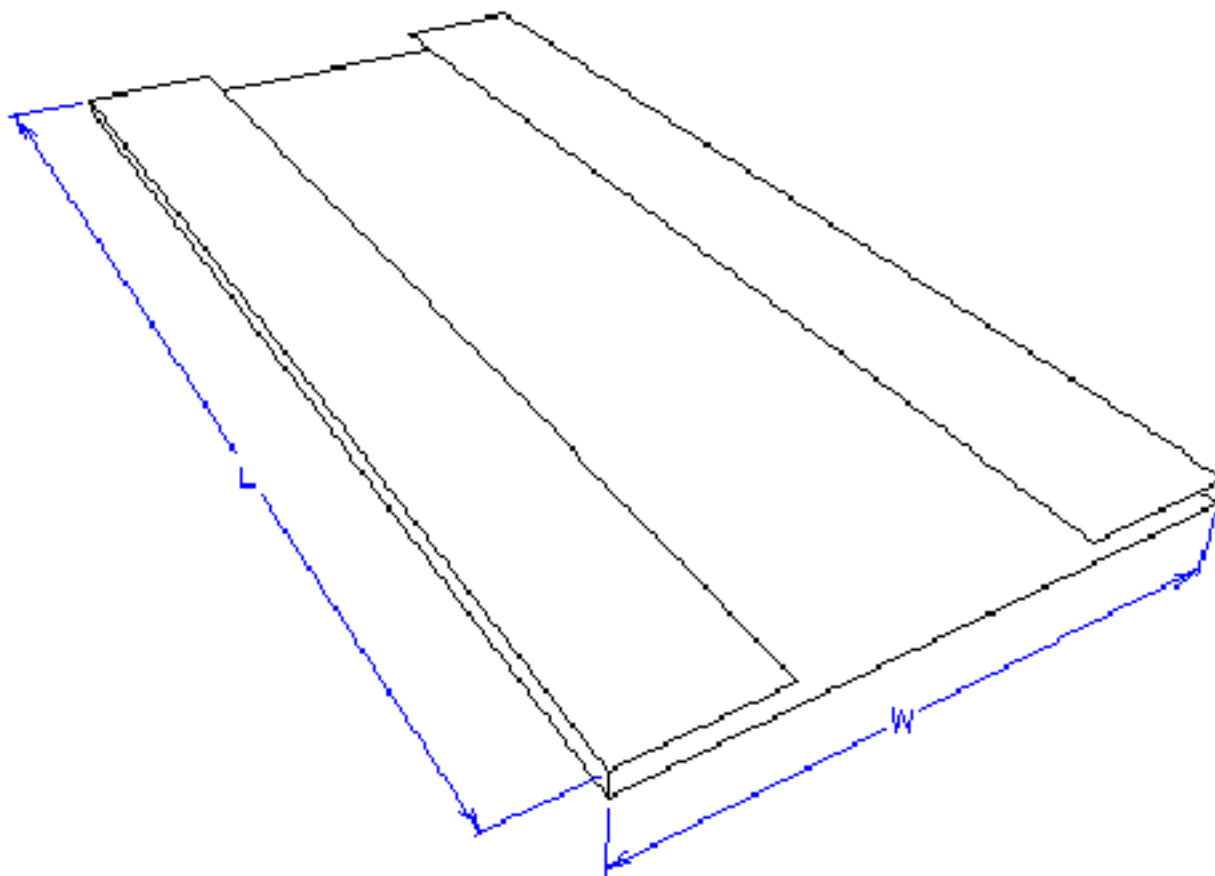
F0947



F0948

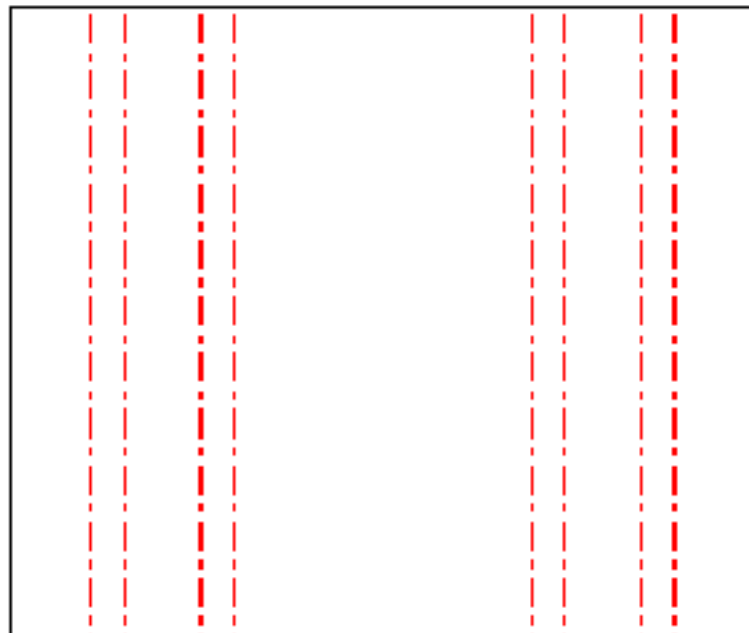
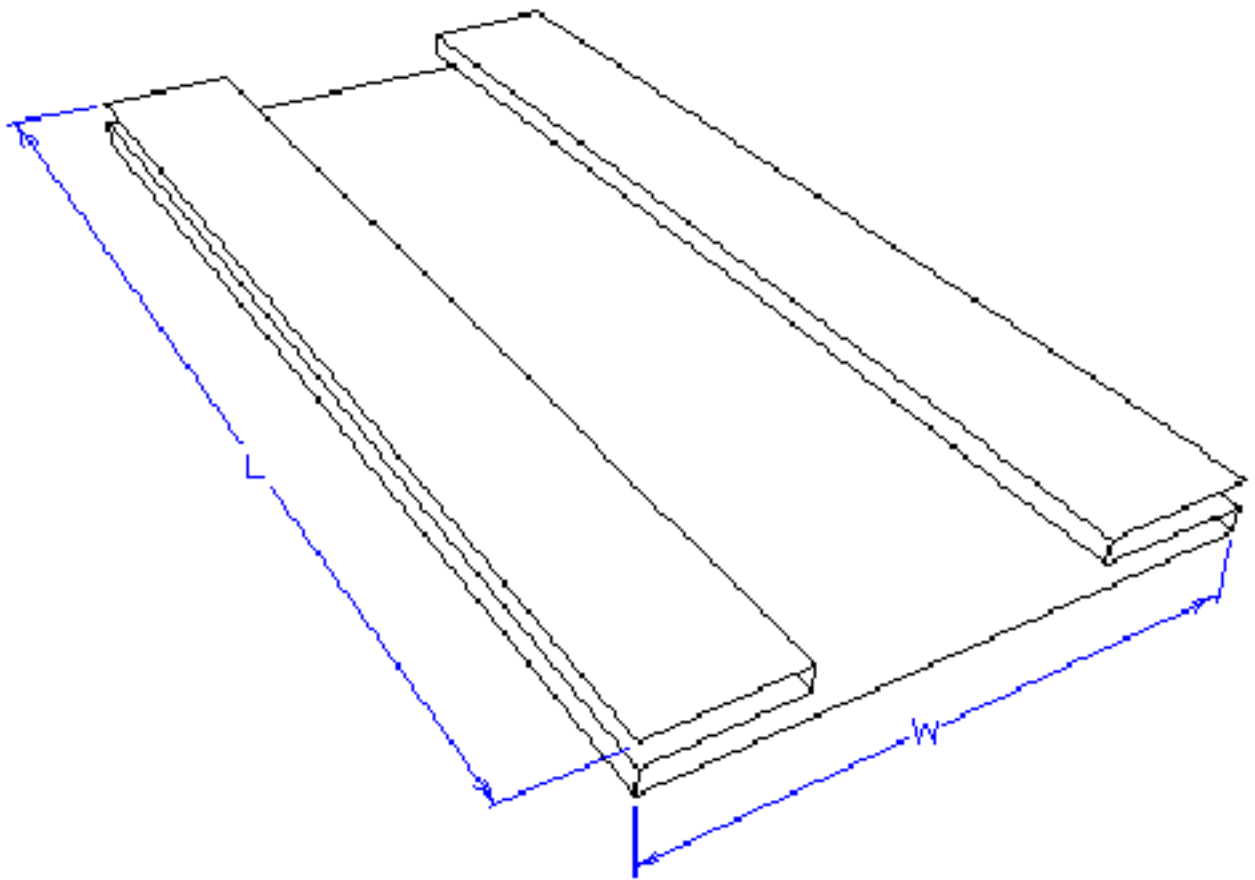


F0949

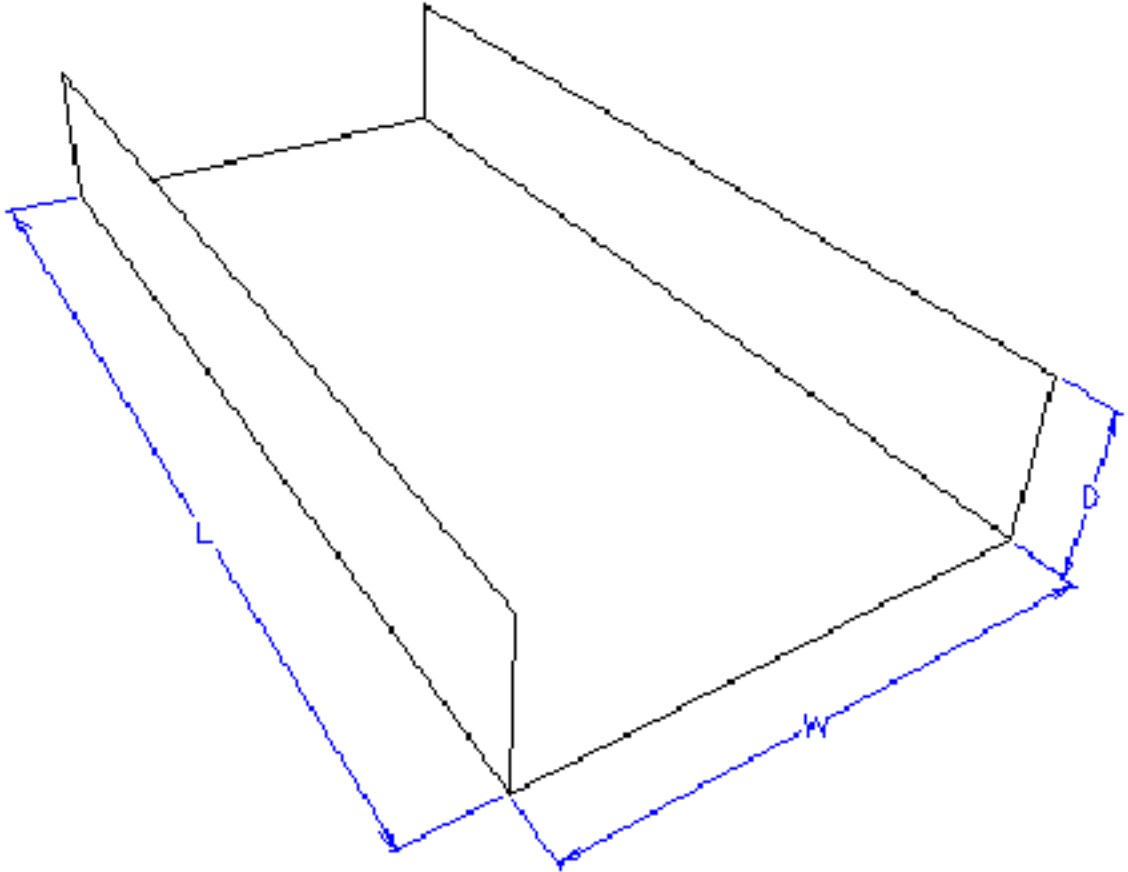


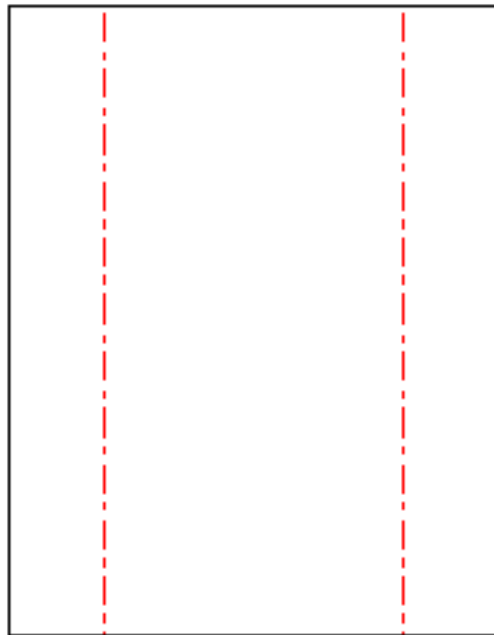


F0950



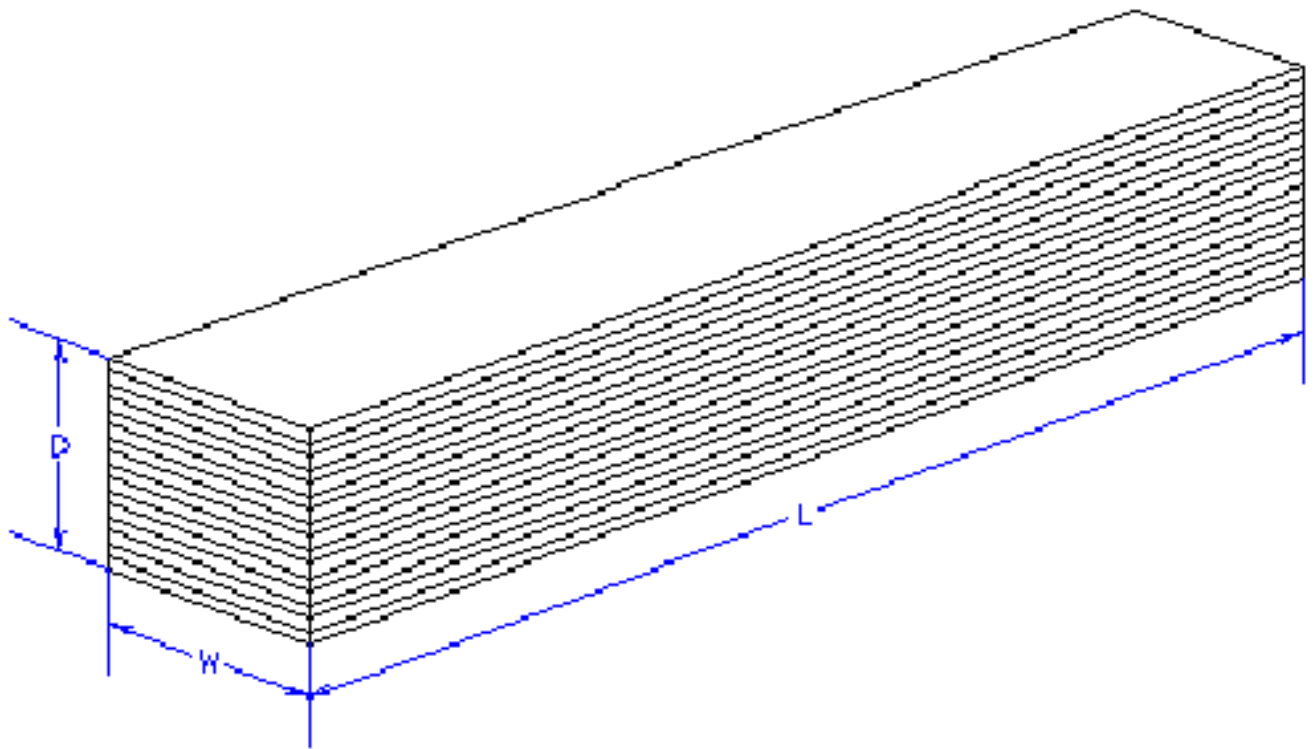
F0951

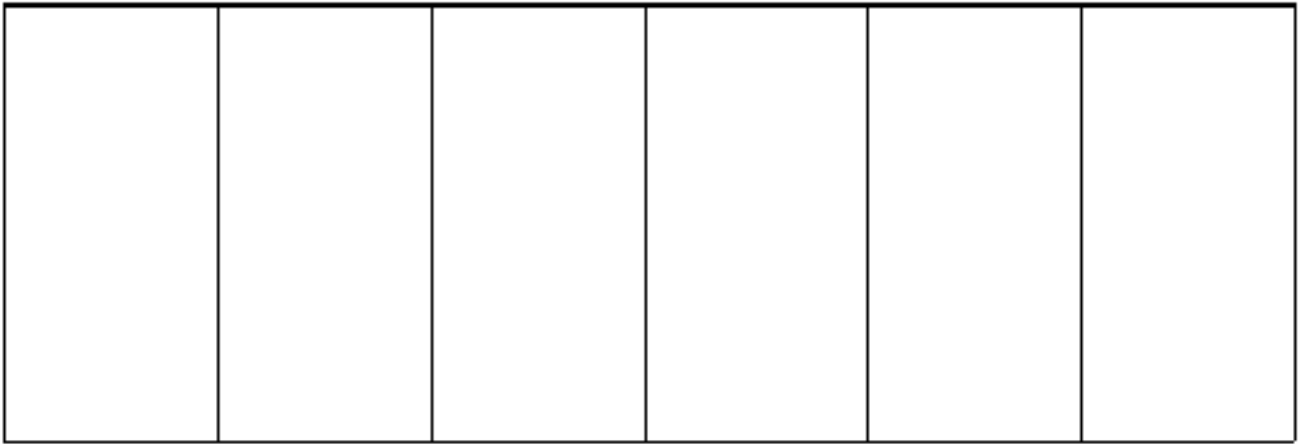




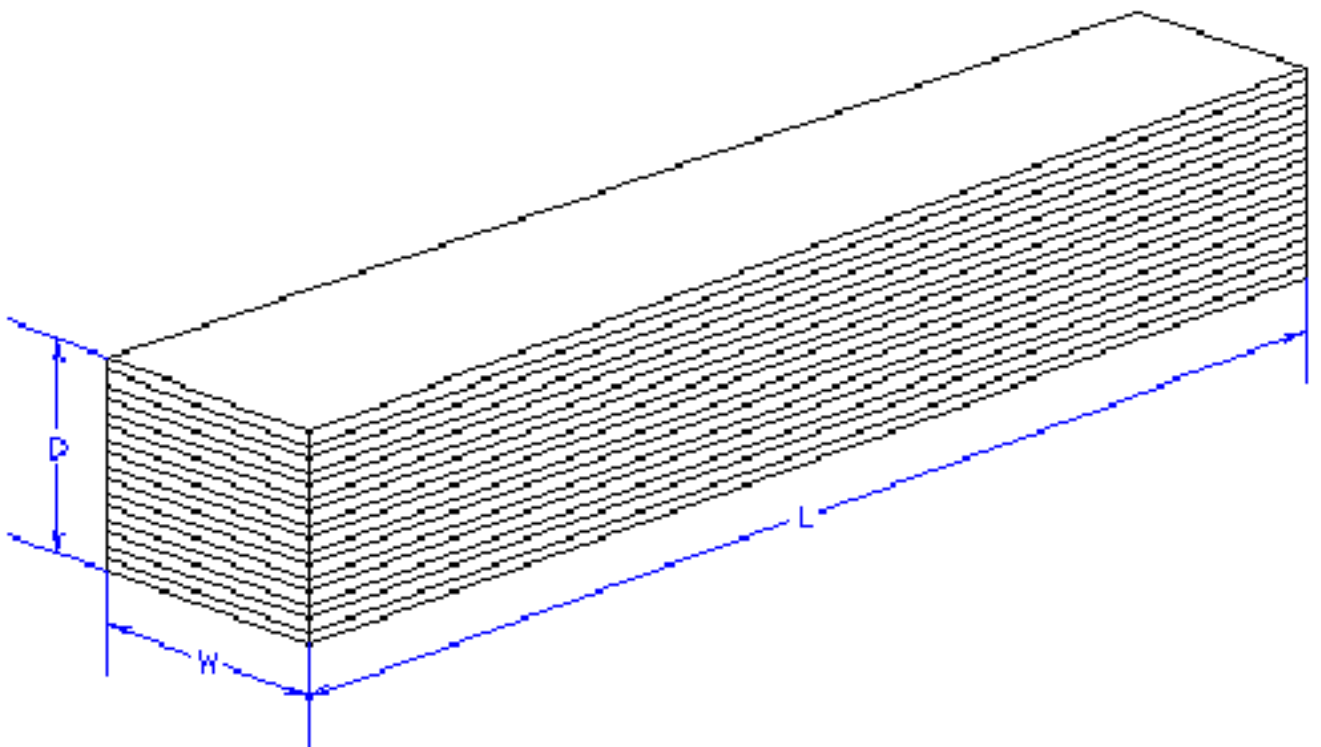
F0965

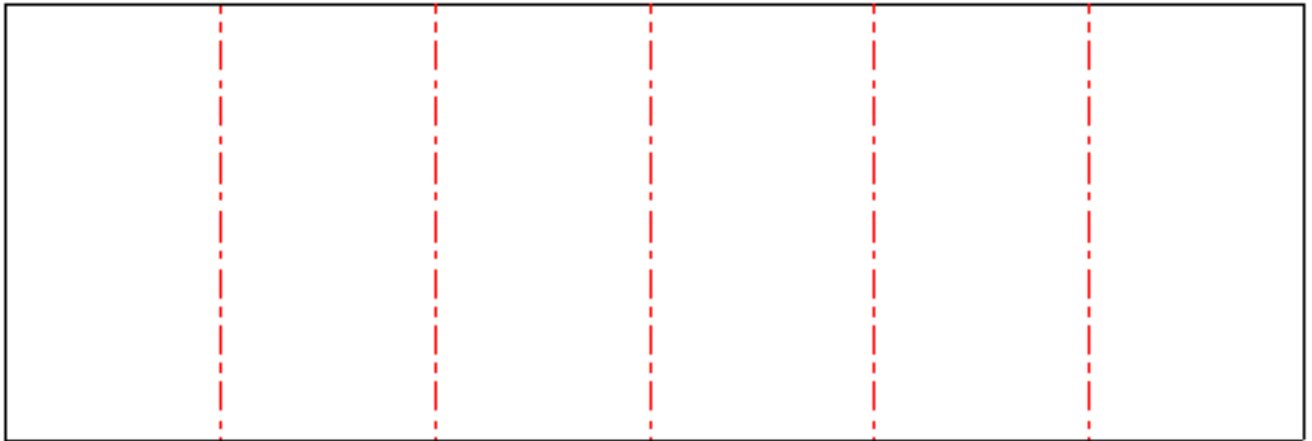
[



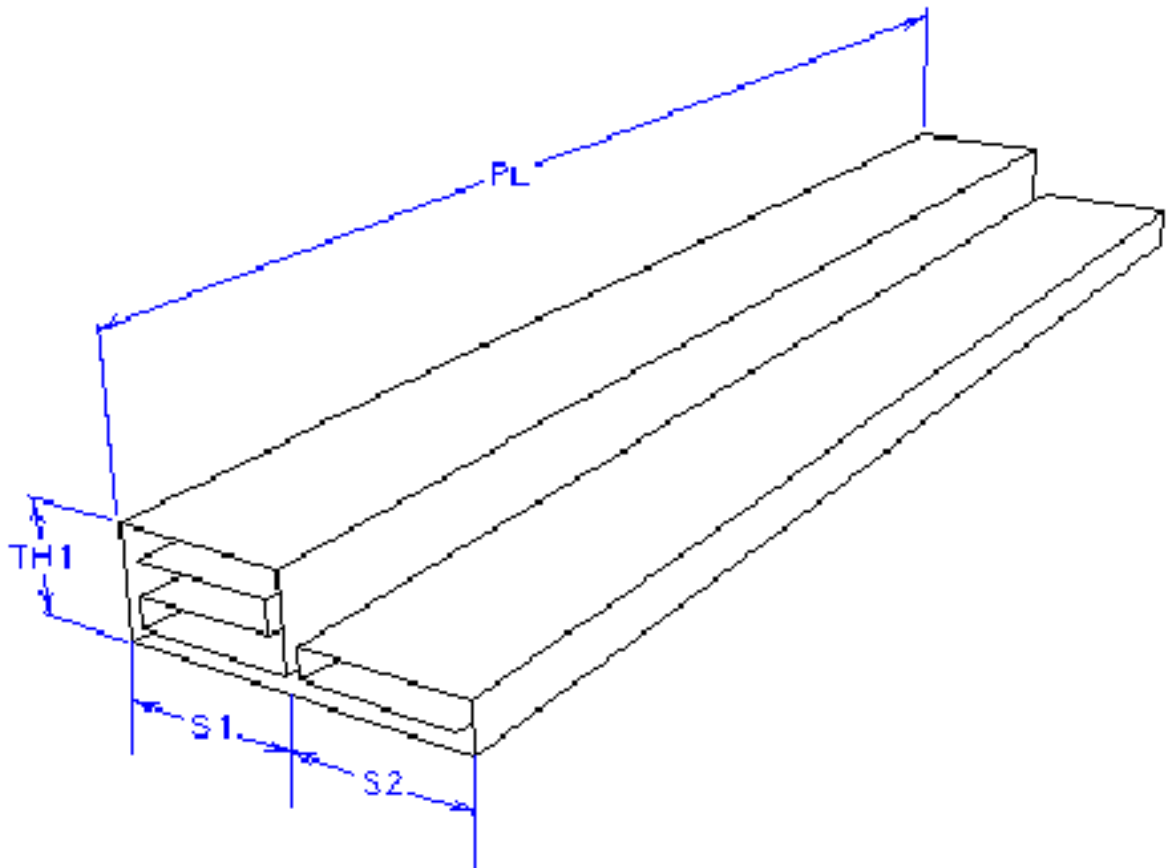


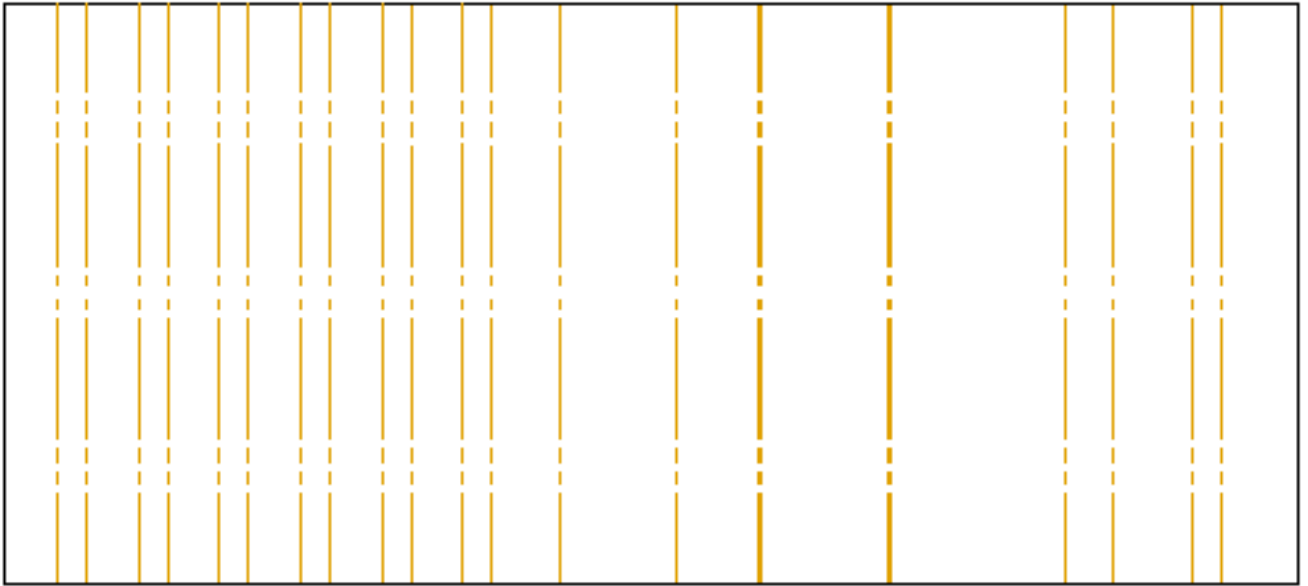
F0966



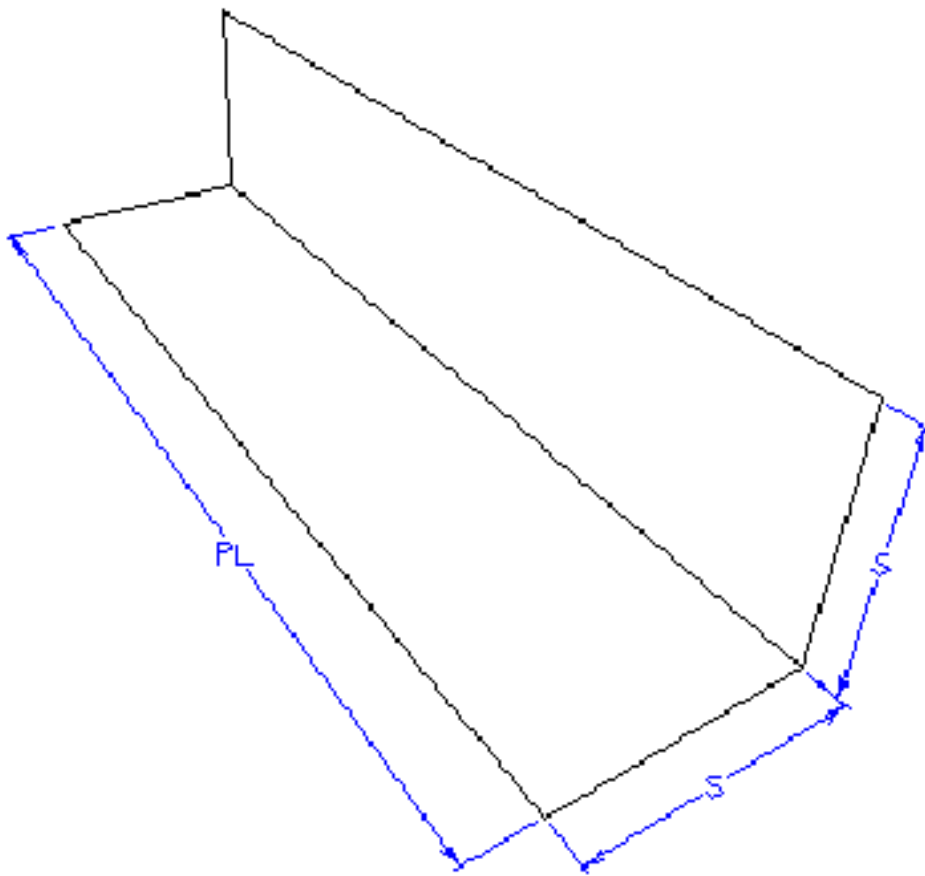


F0967



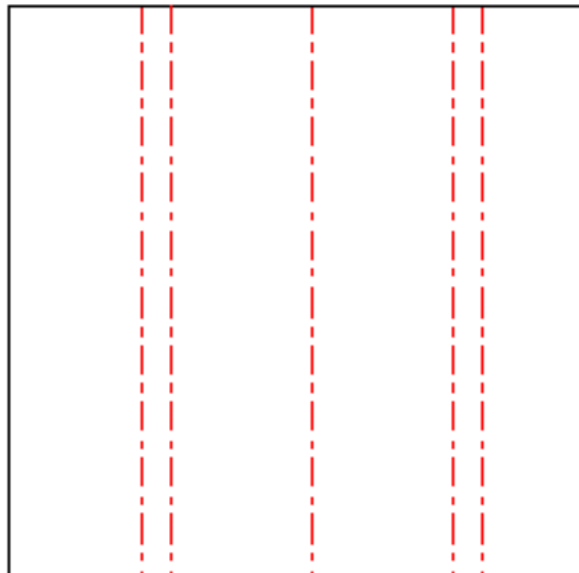


F0970

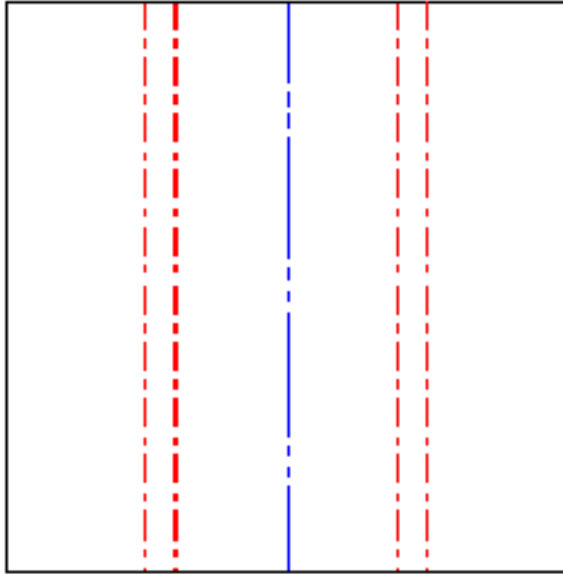




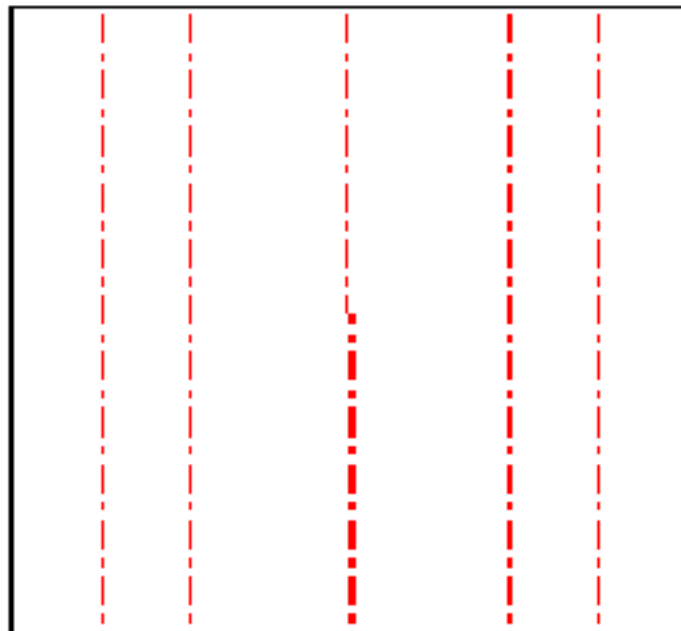
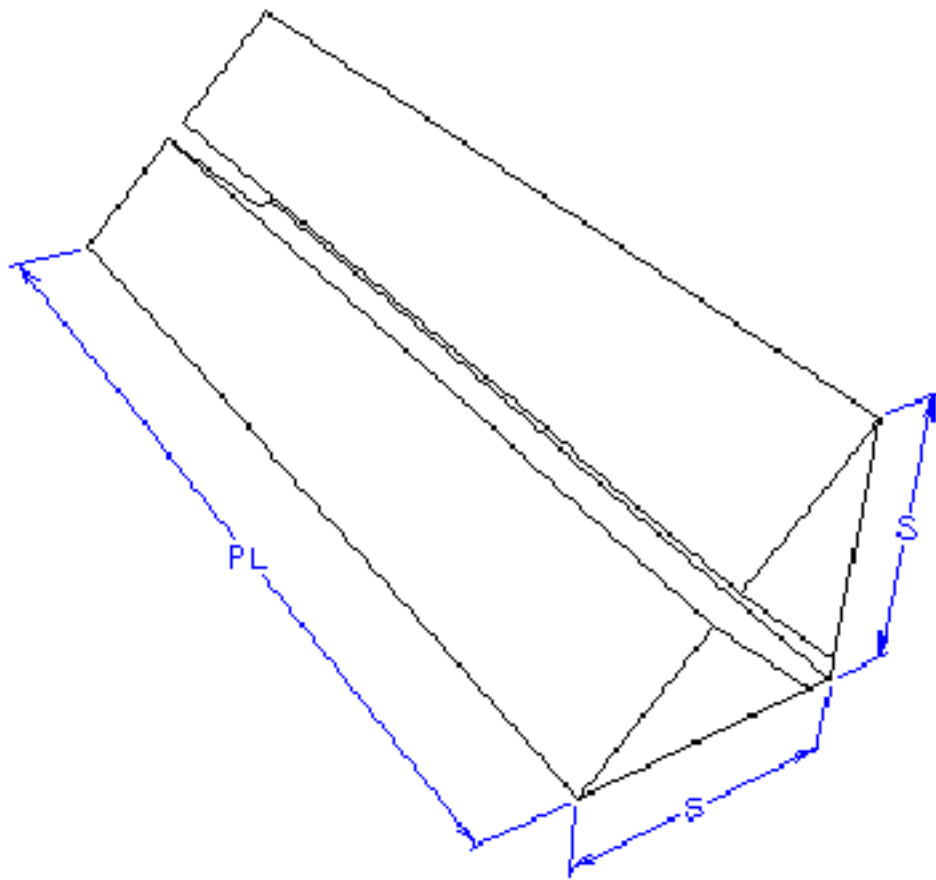
F0971



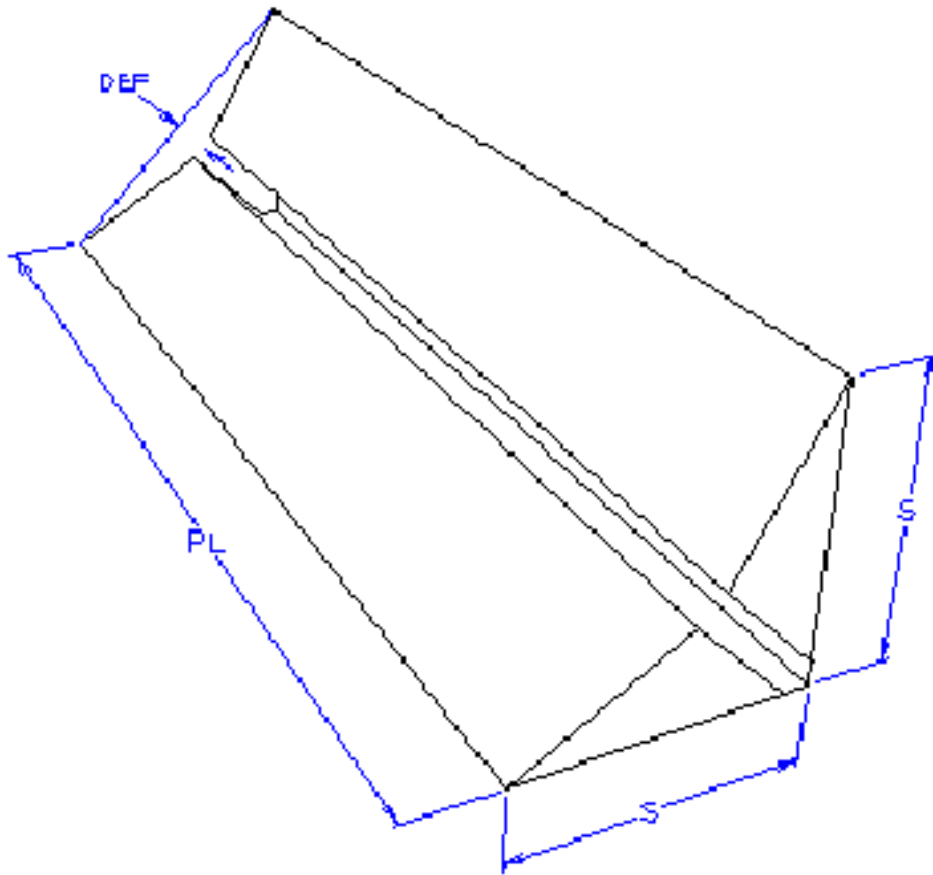
F0972

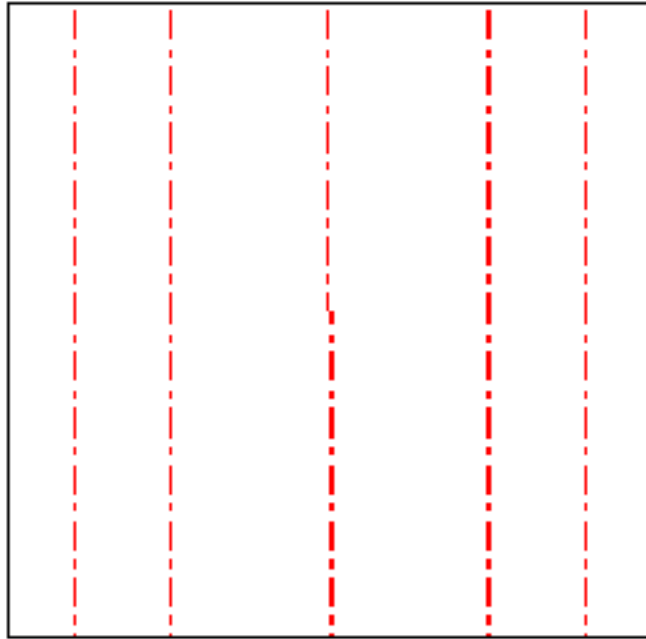


F0973

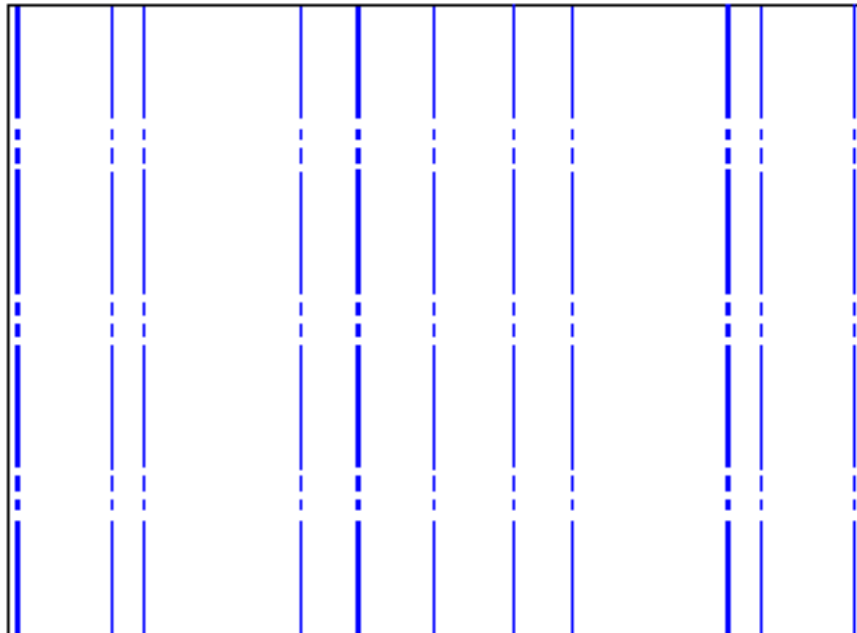
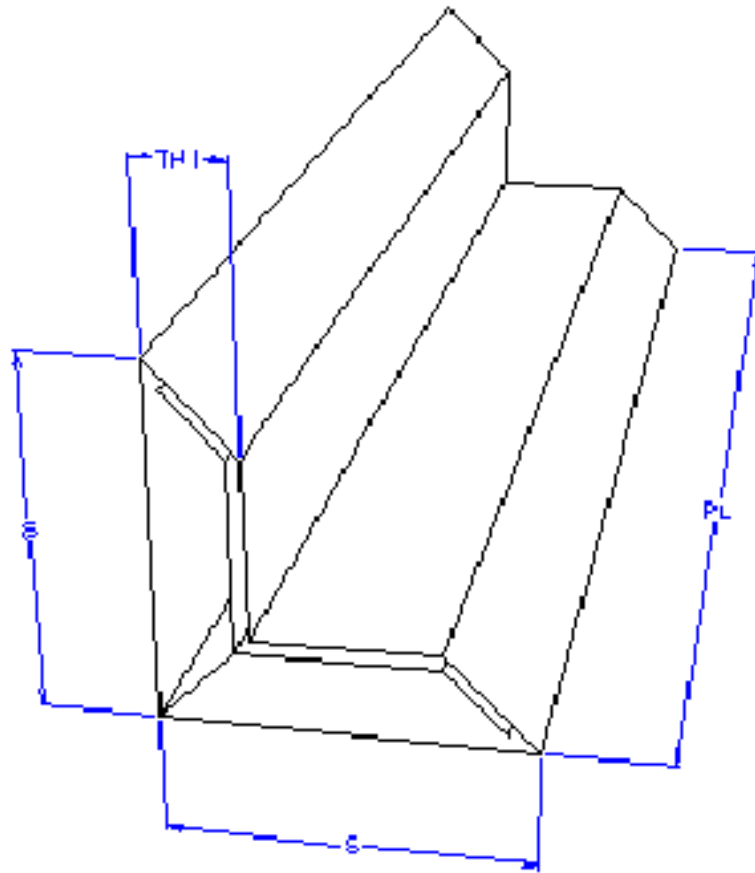


F0974

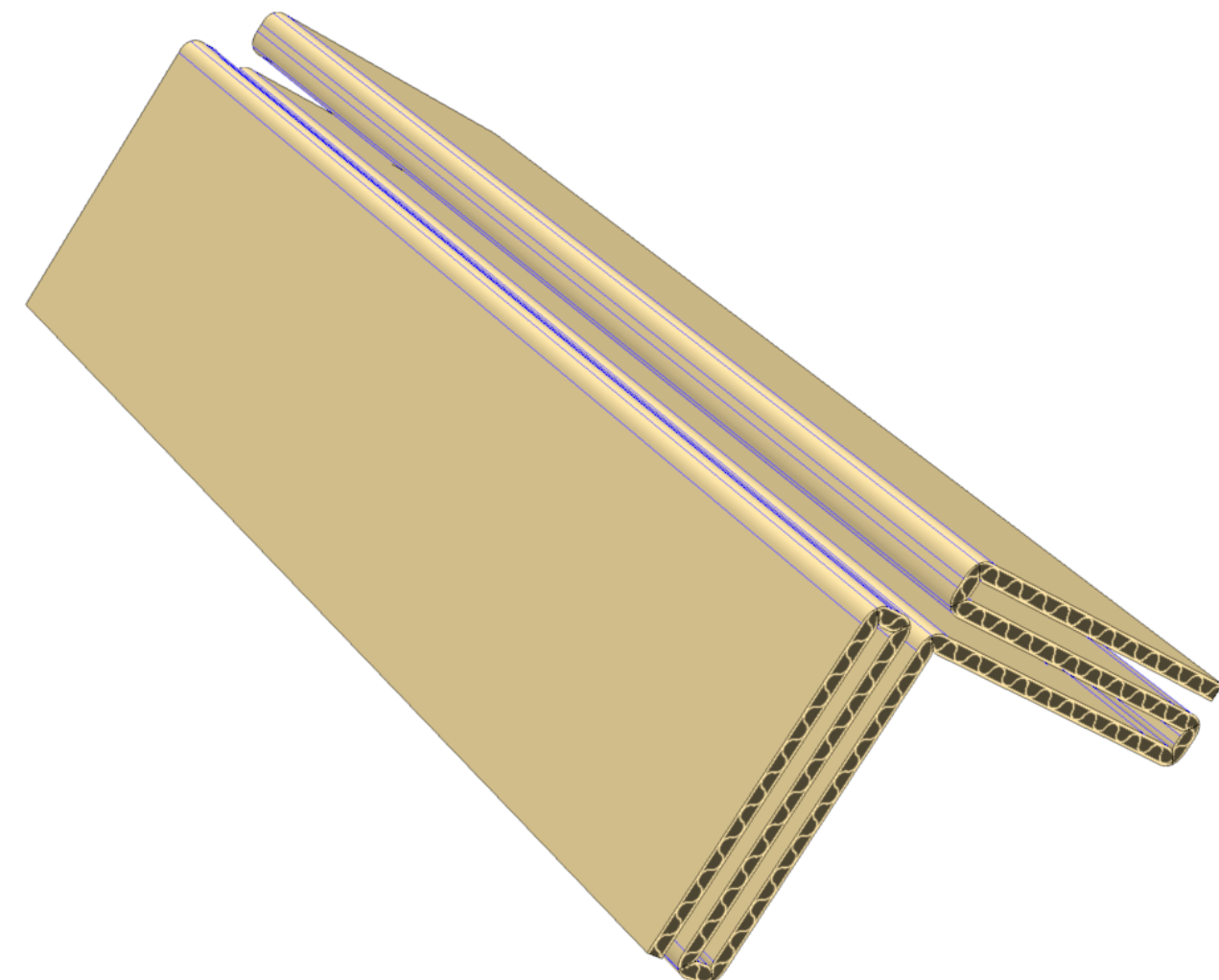


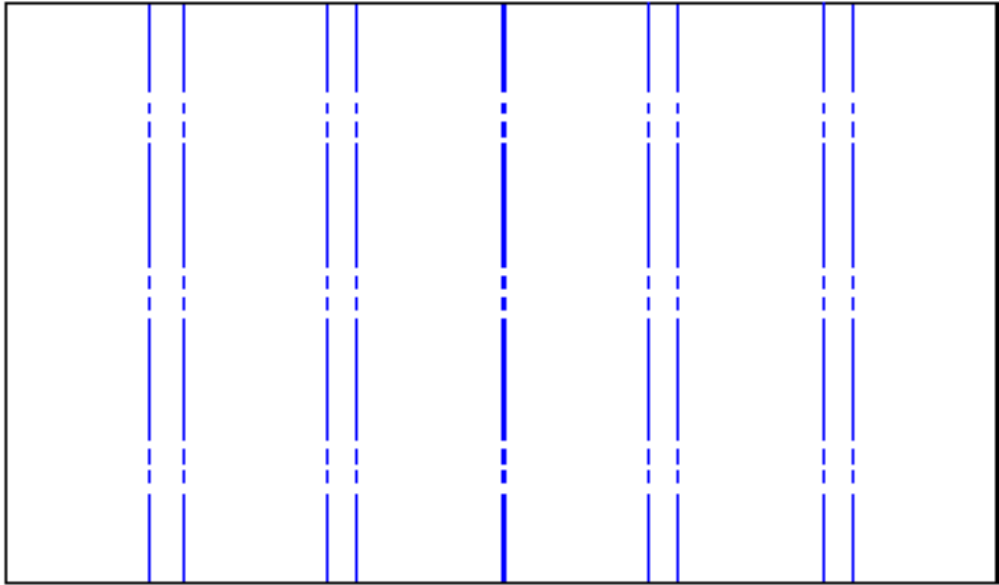


F0975



F0976

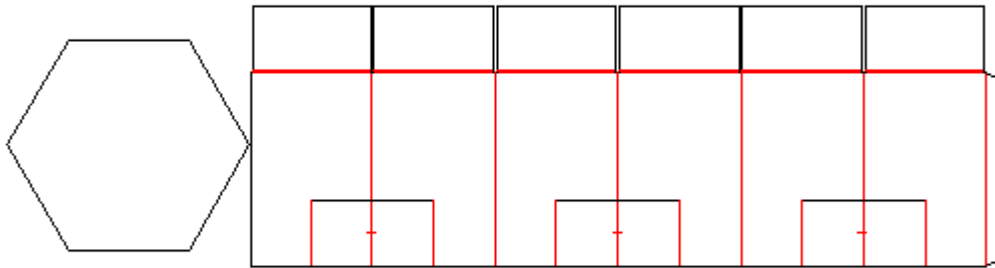


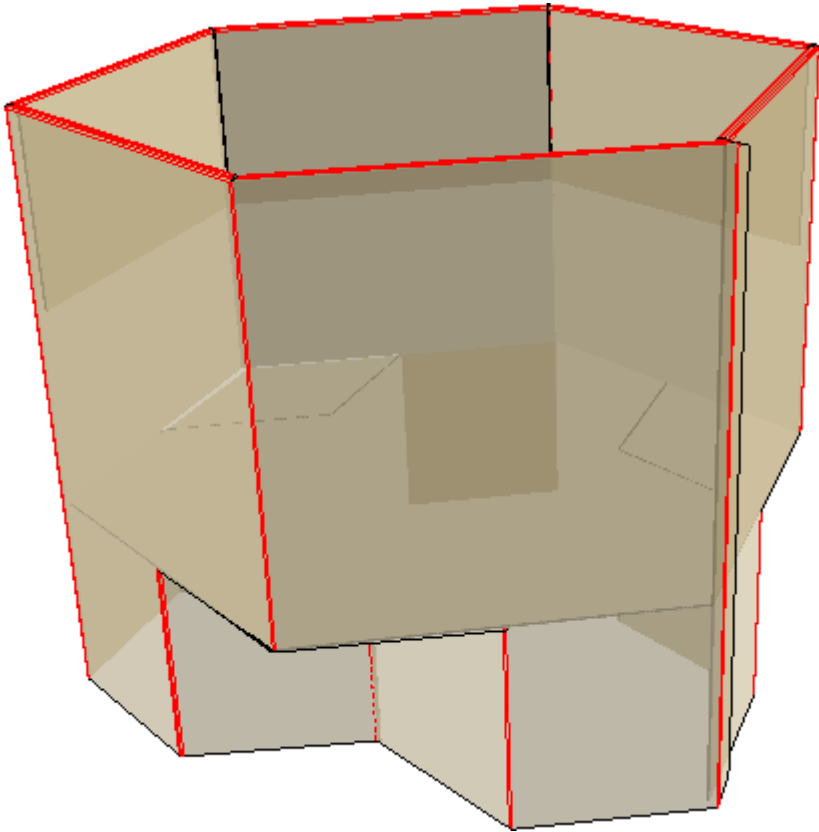


4. Display Standards

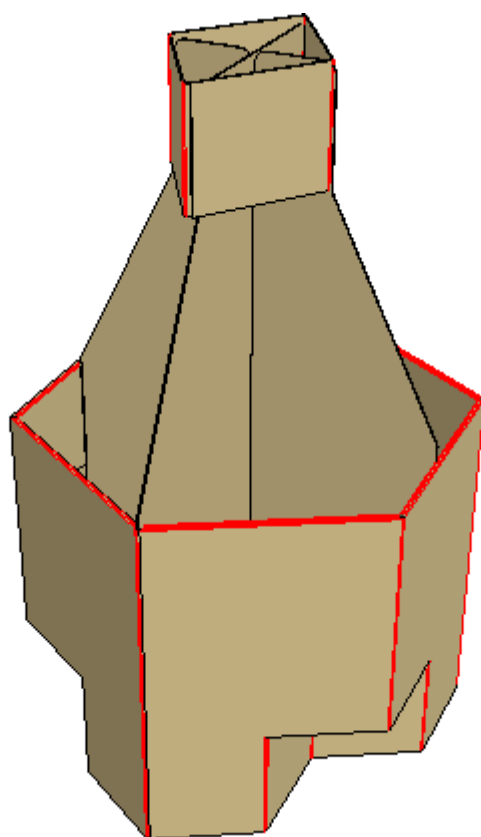
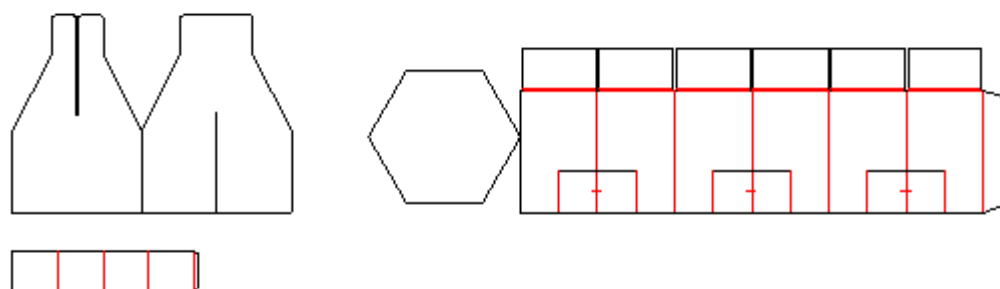
Bins

Hexagonal Bin

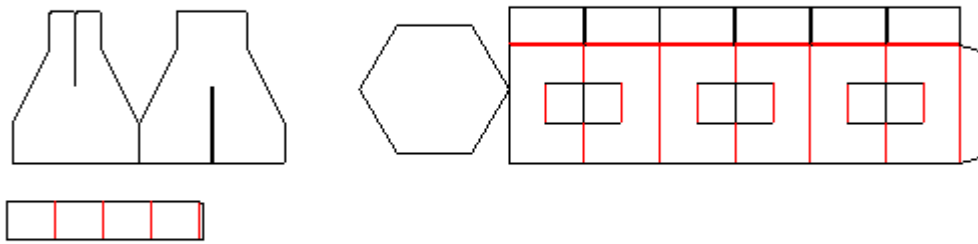


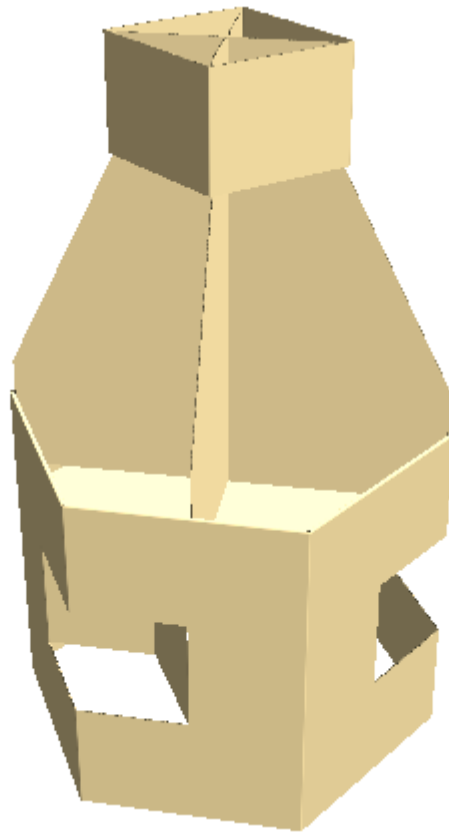


Hexagonal Bin - Dispenser Bottom

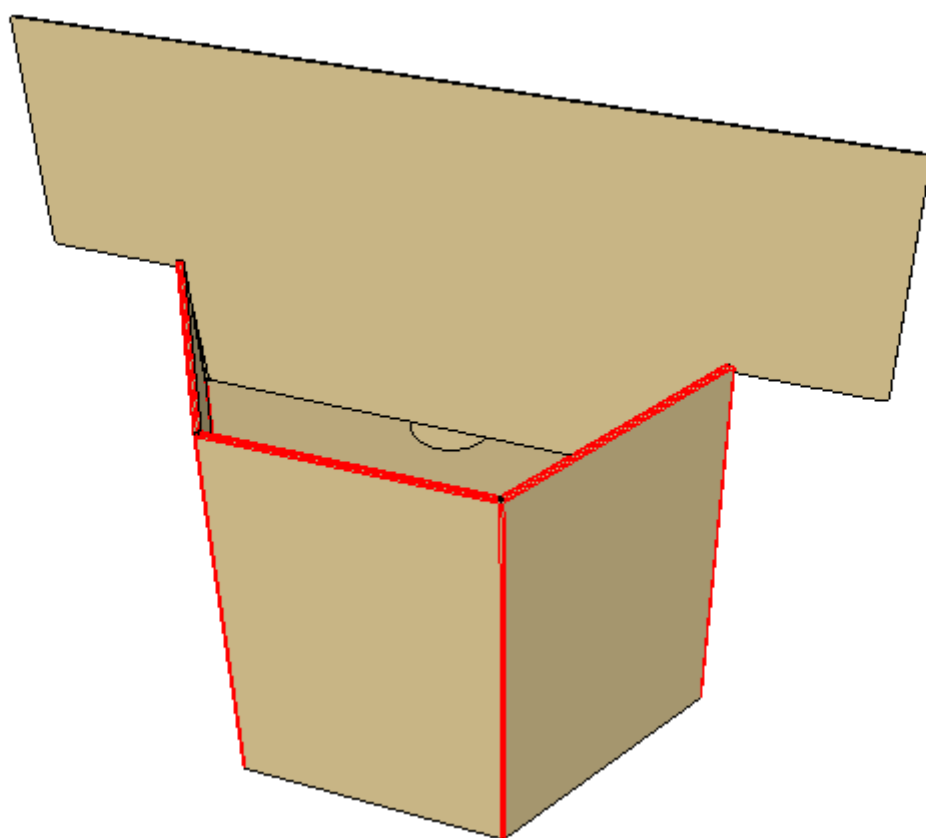
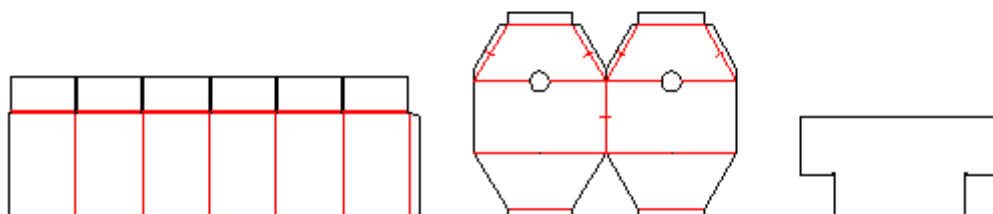


Hexagonal Bin - Dispenser Center

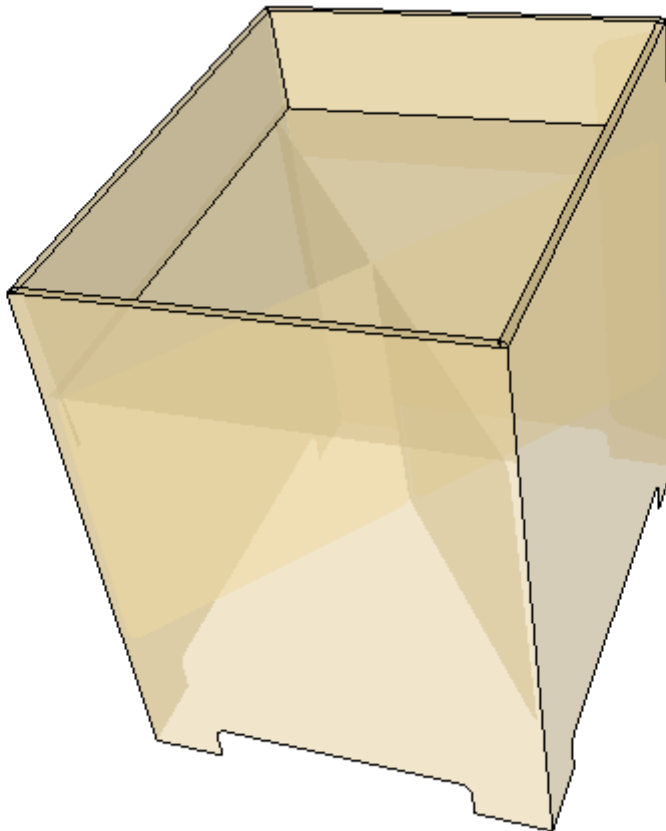
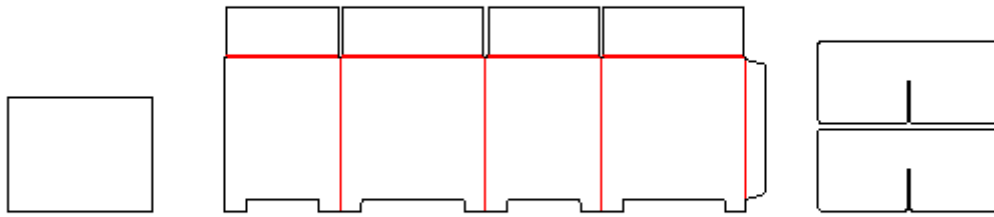




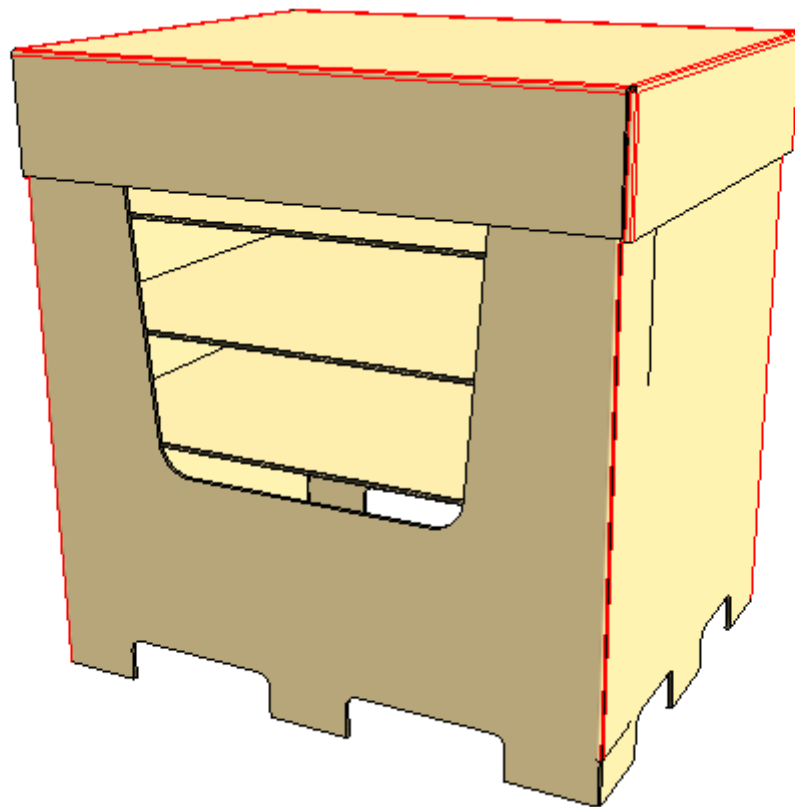
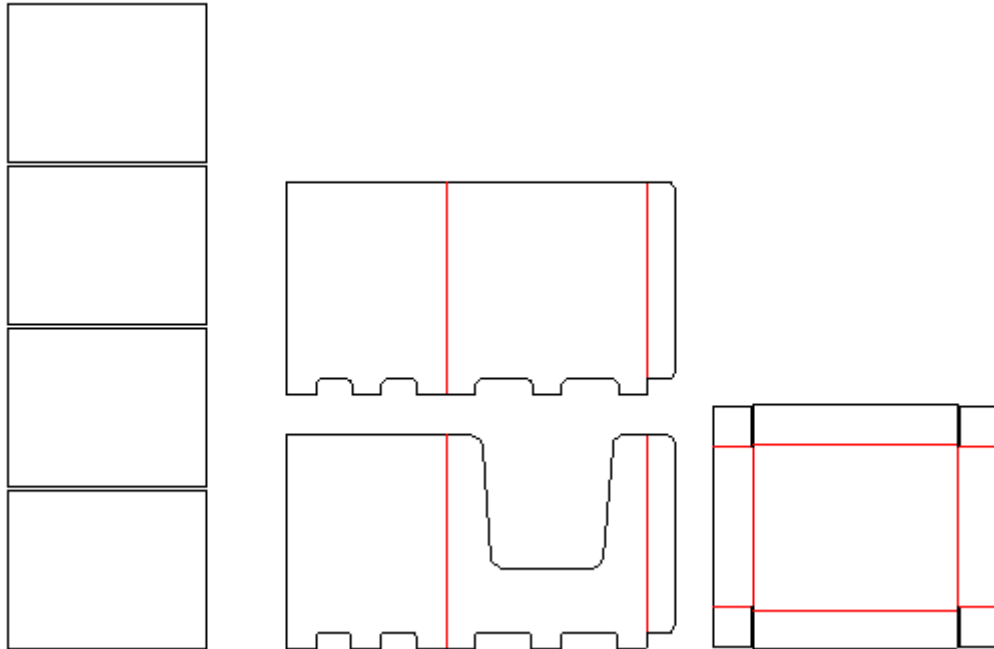
Hexagonal Bin - Header



Pallet Base with Cross Lock

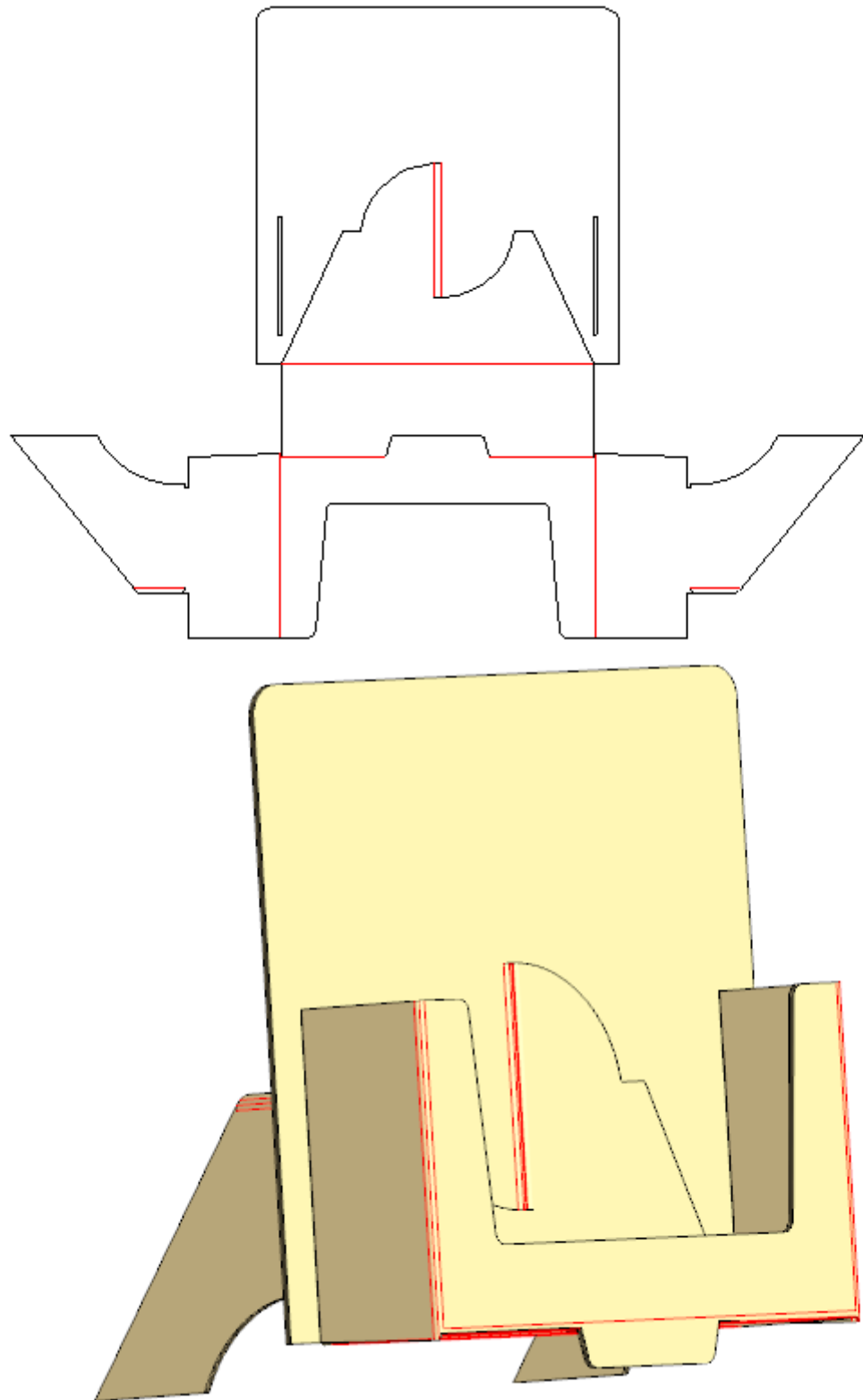


Pallet with Lid

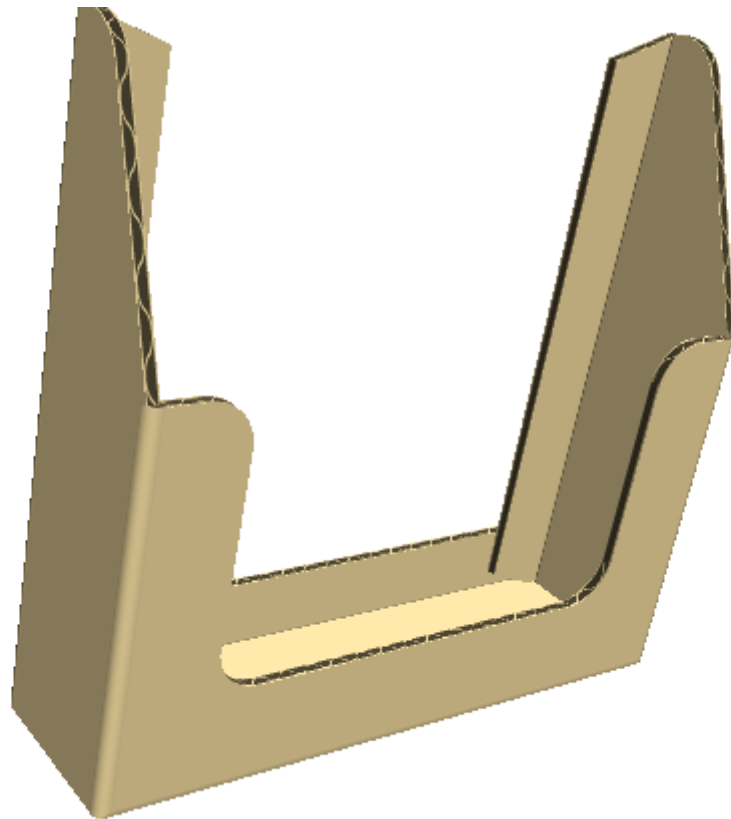
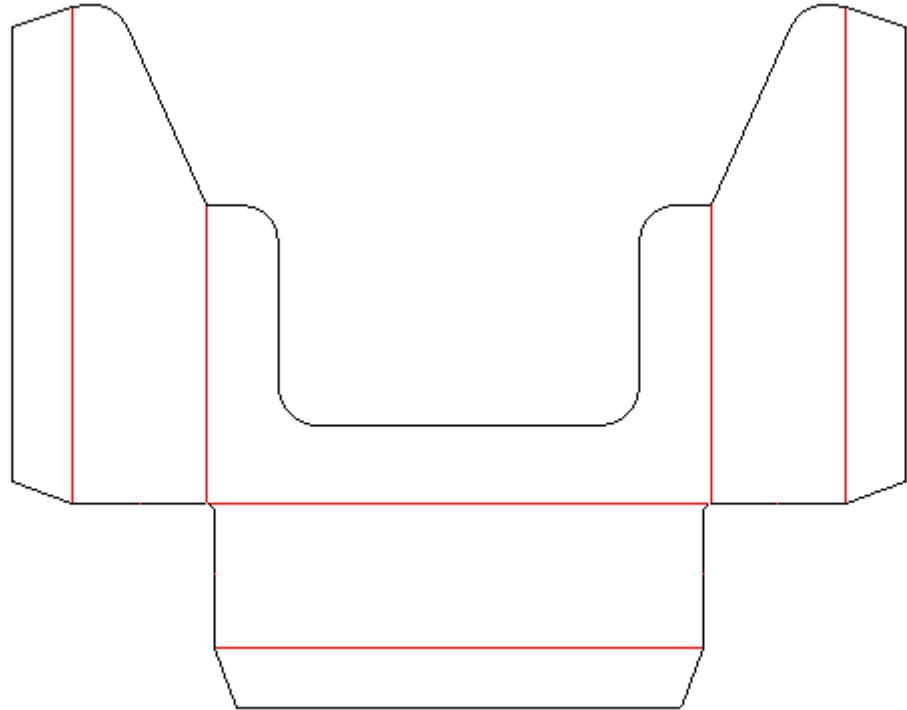


Countertop Displays

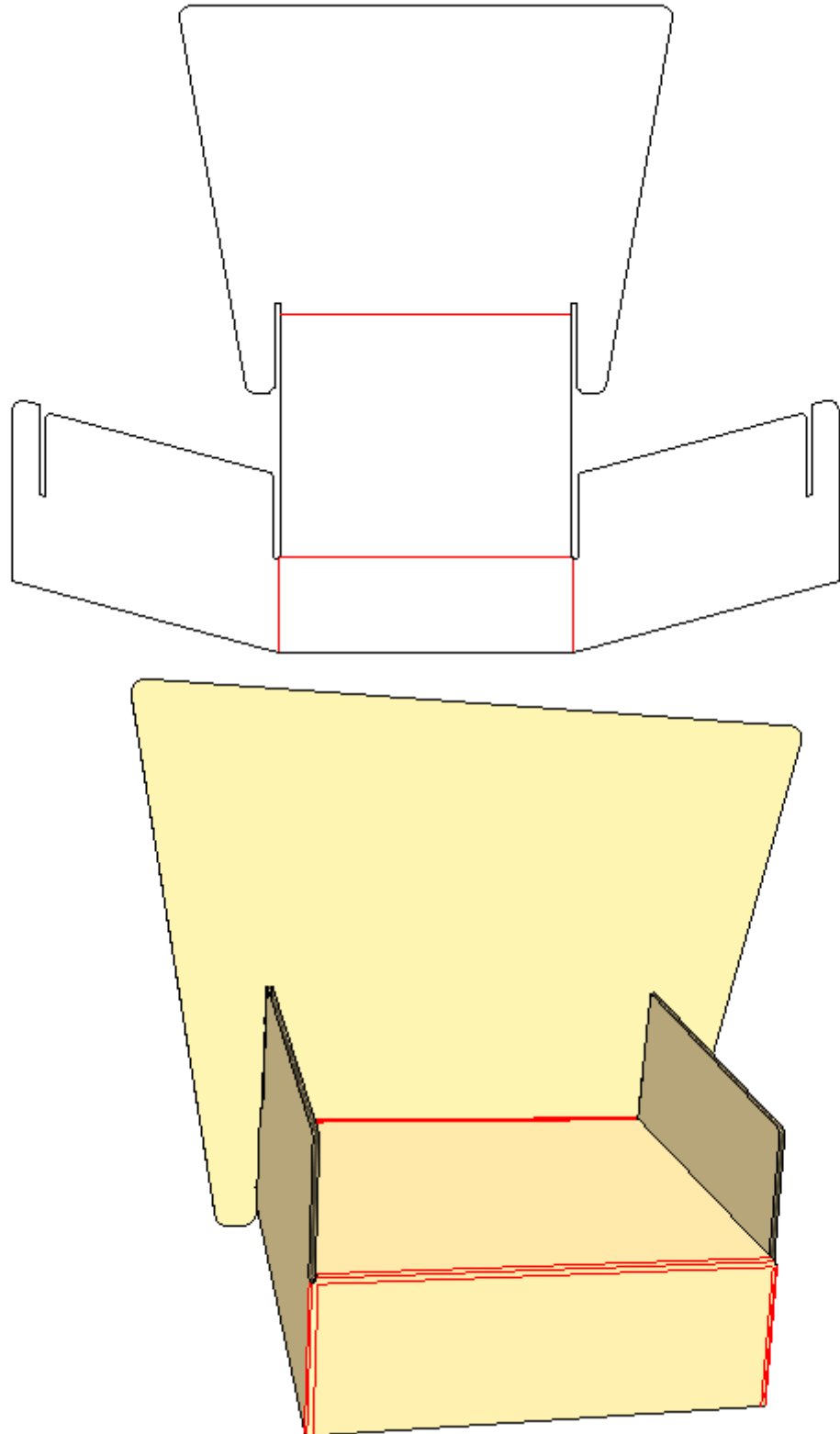
Angular Card Dispenser



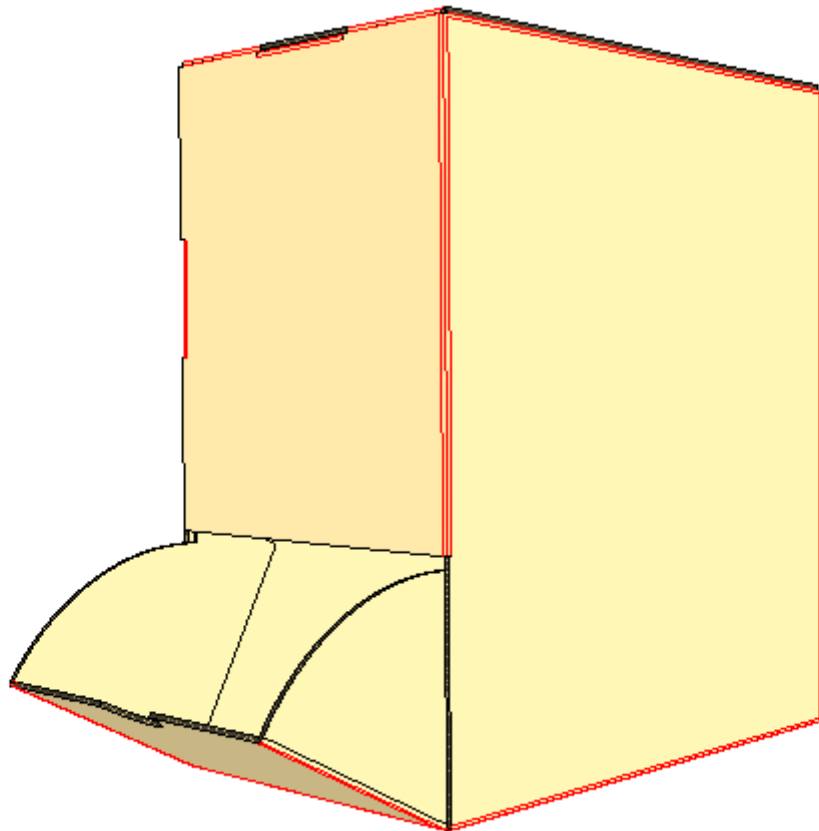
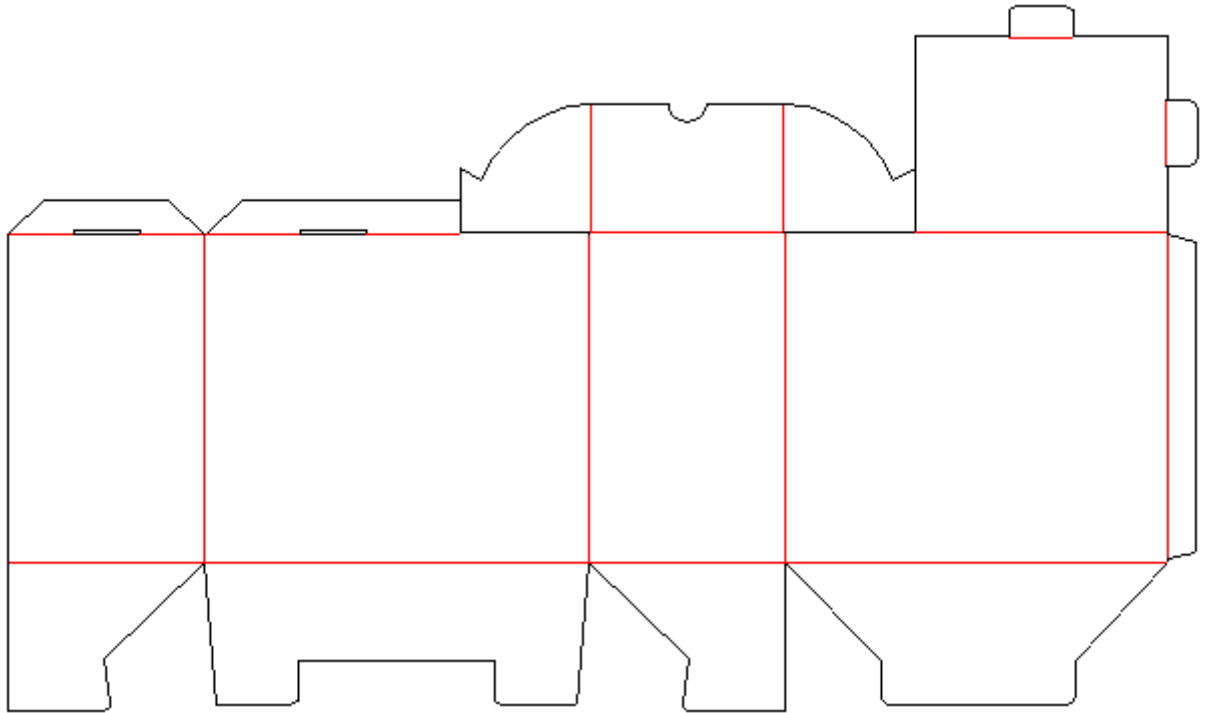
Angular Card Holder



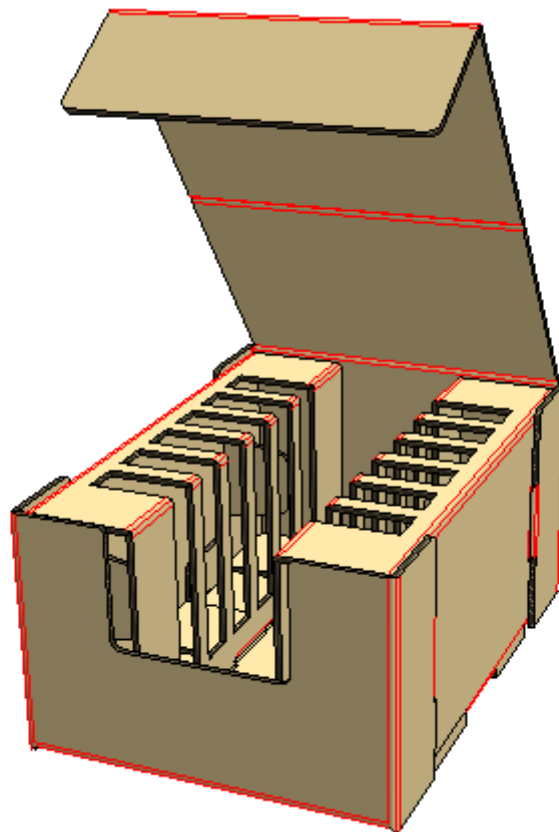
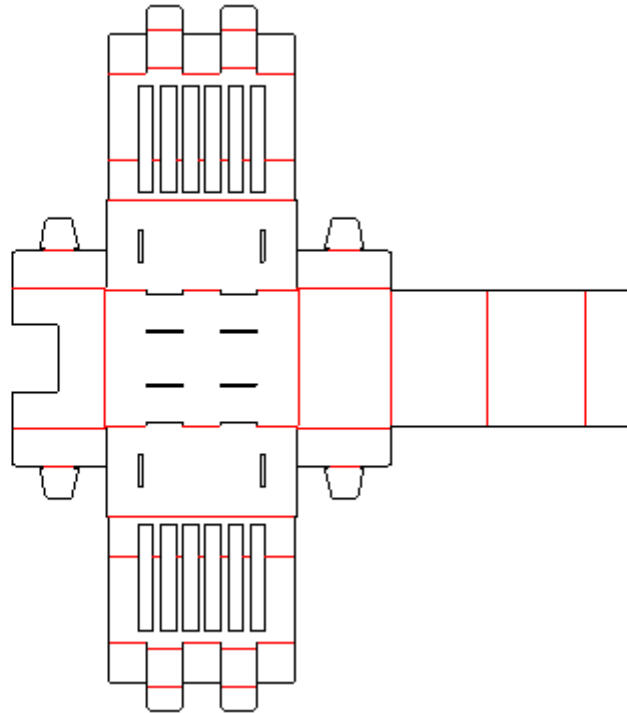
Angular Dispenser



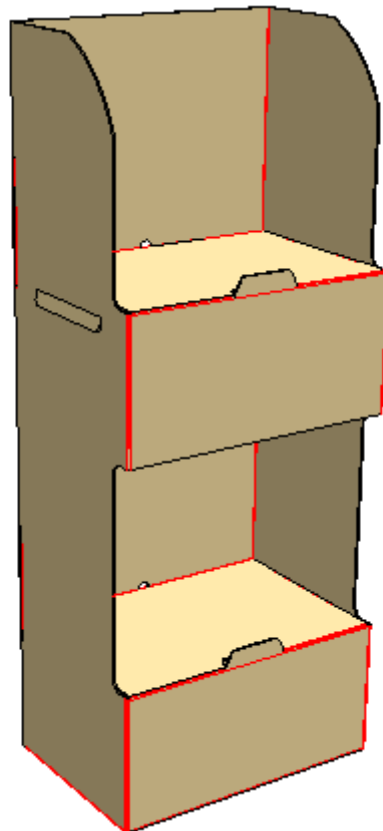
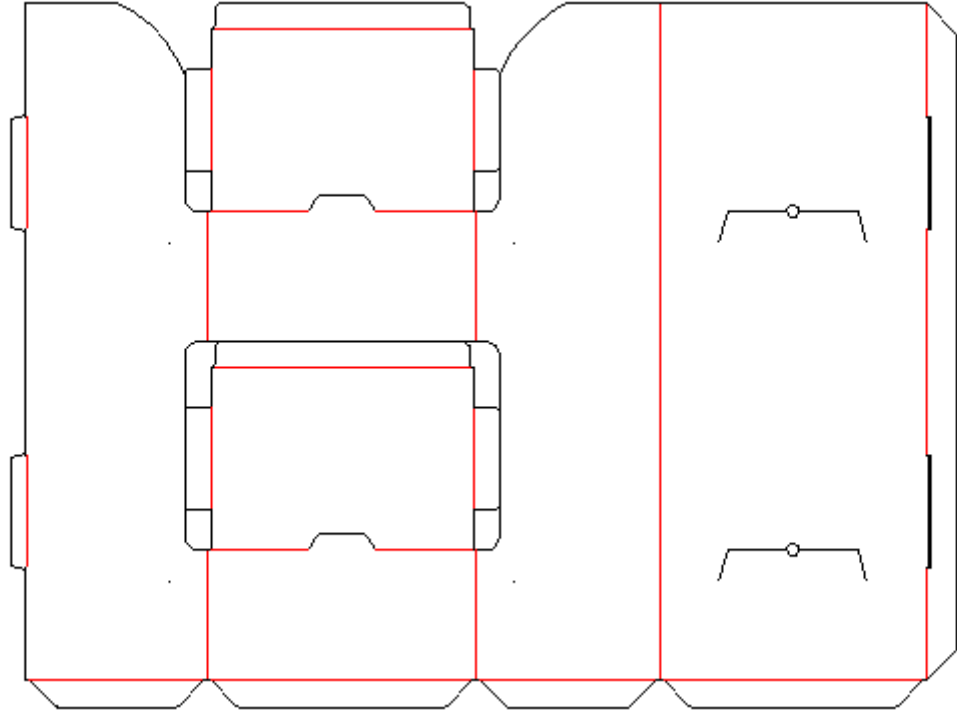
Auto Bottom Dispenser



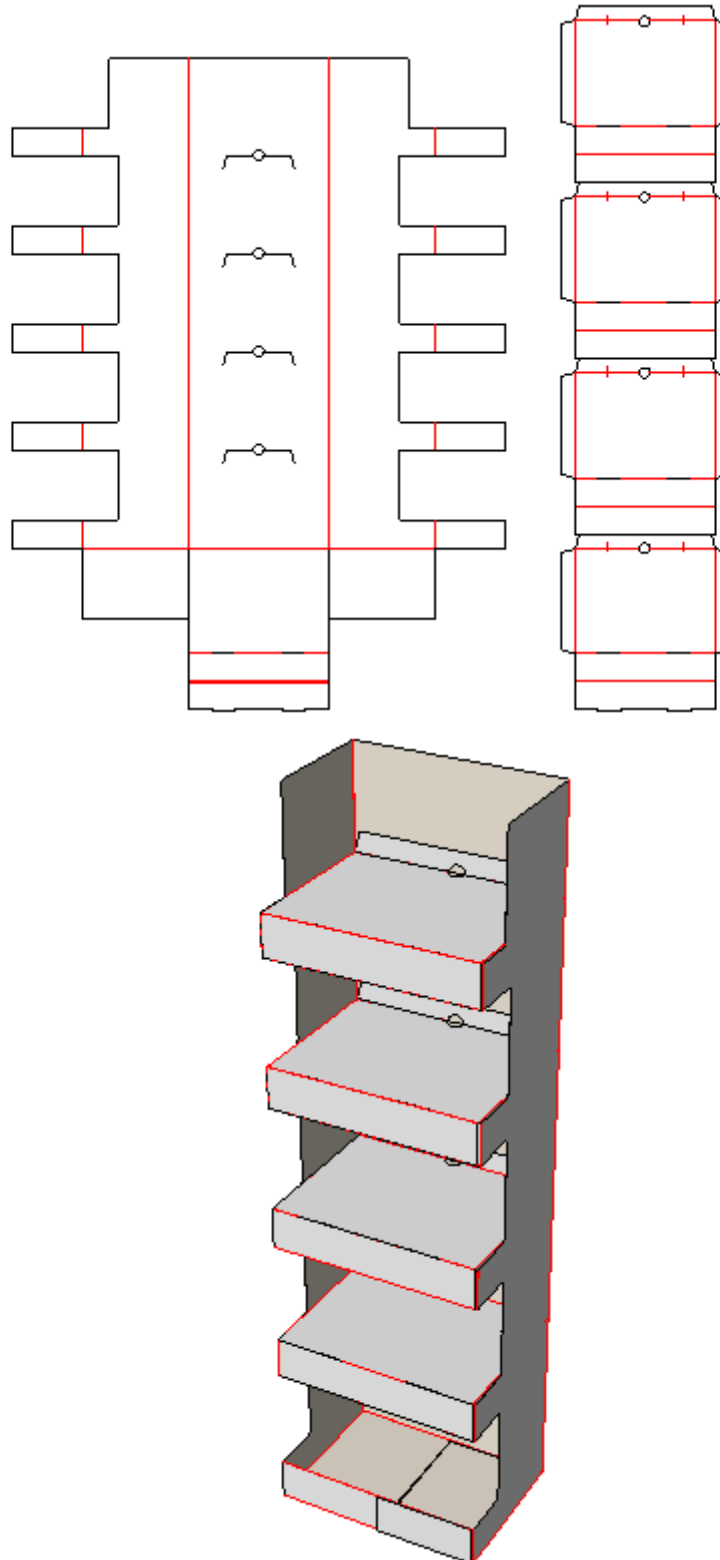
Card Dispenser With Header



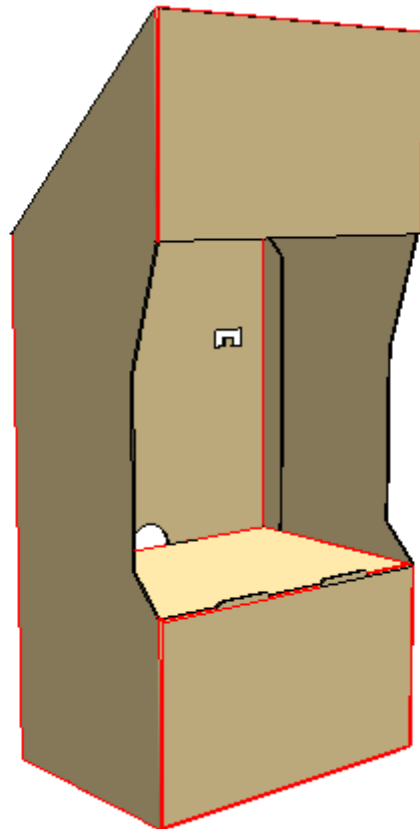
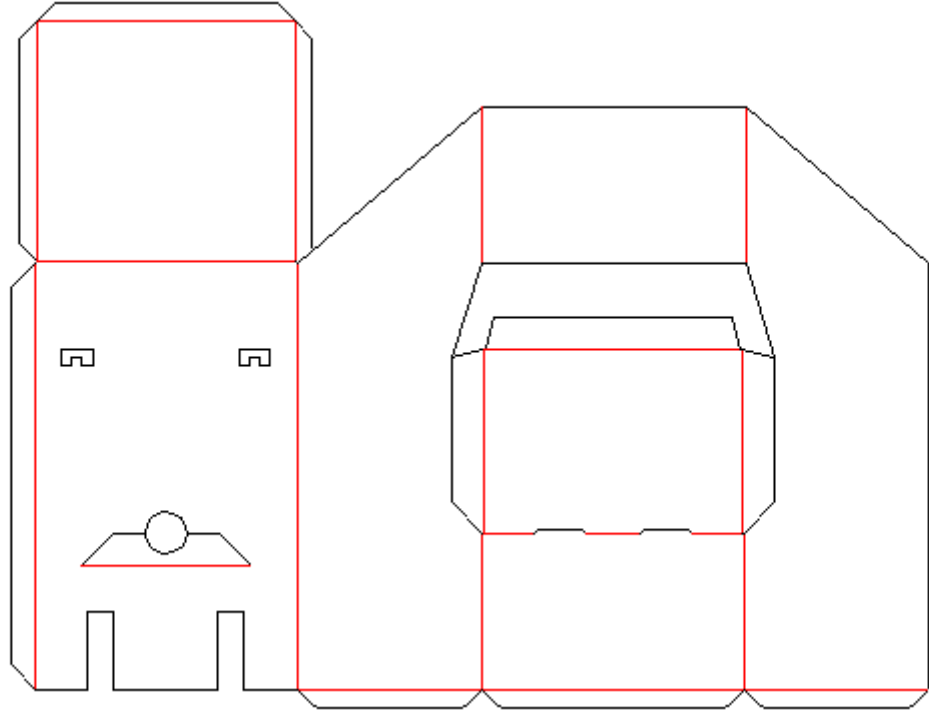
Countertop Display With Self Lock



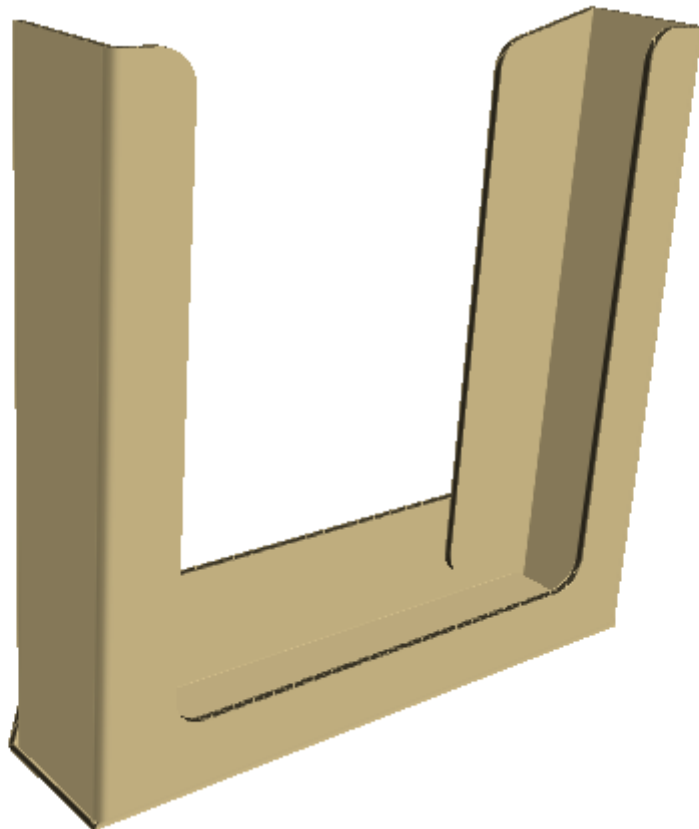
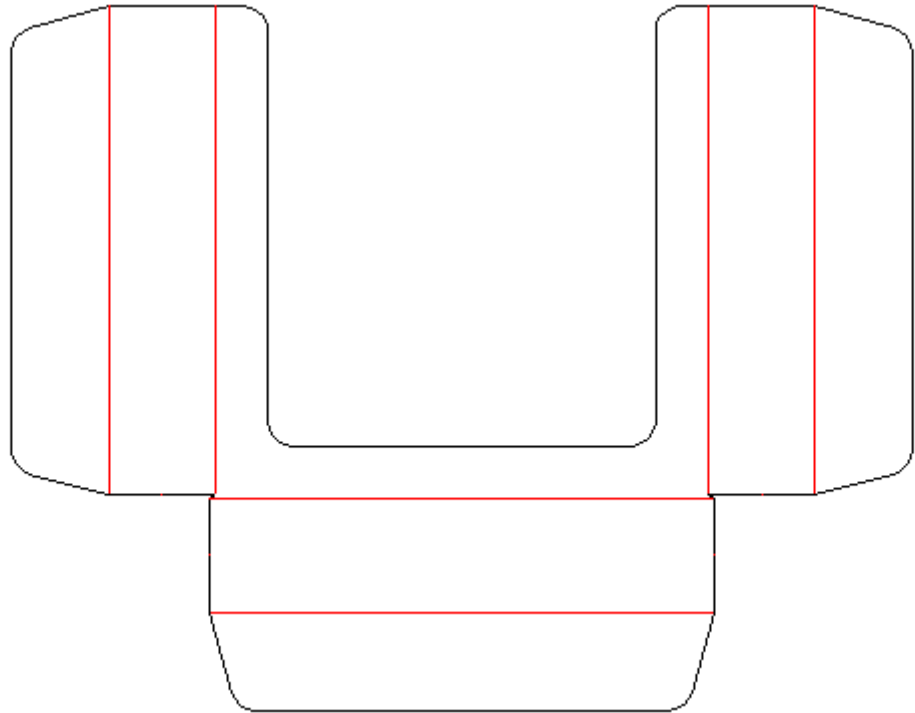
Countertop Display With Shelves



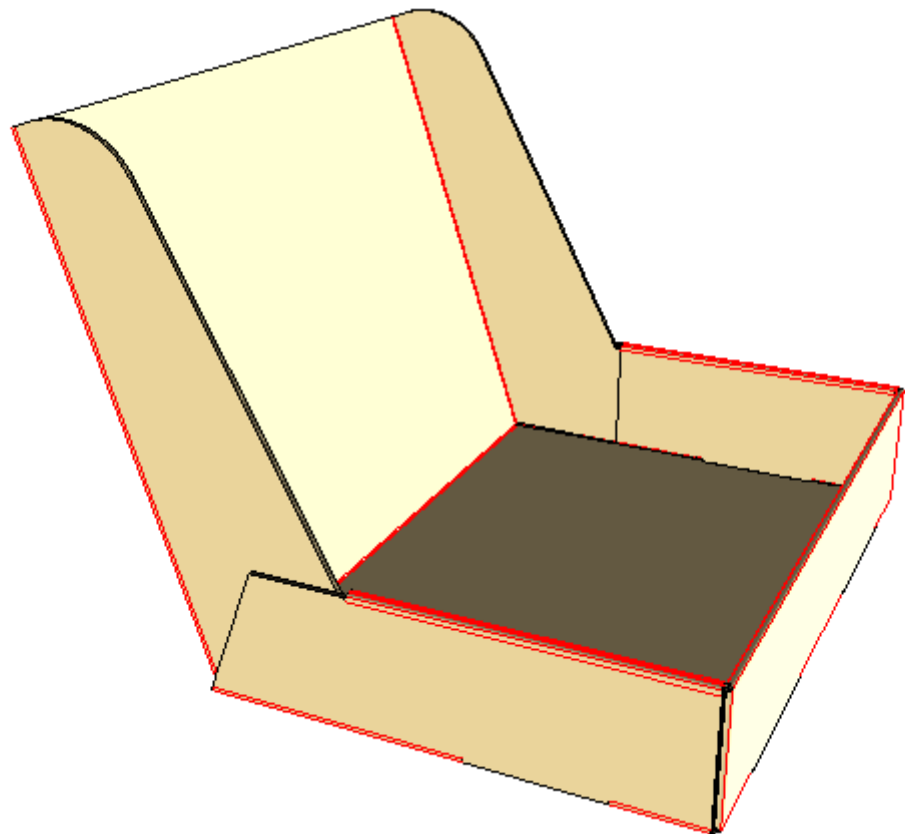
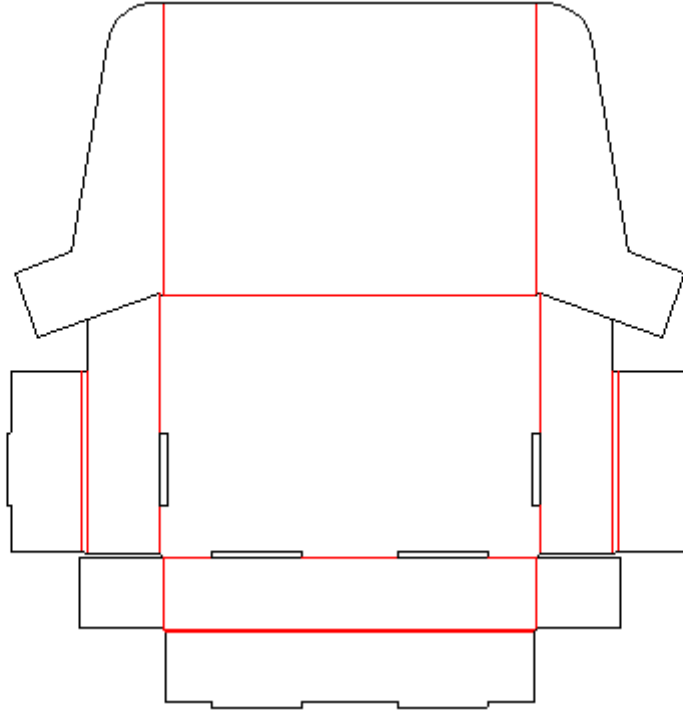
One Piece Countertop Display



Straight Card Holder

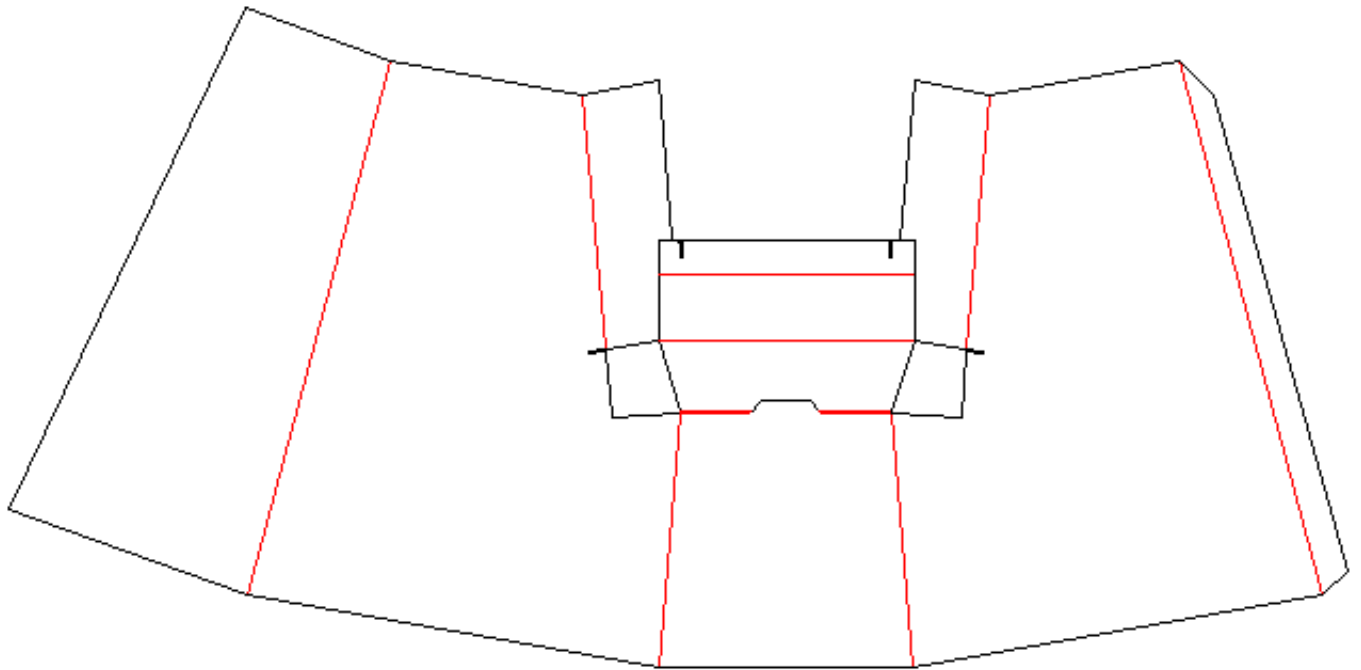


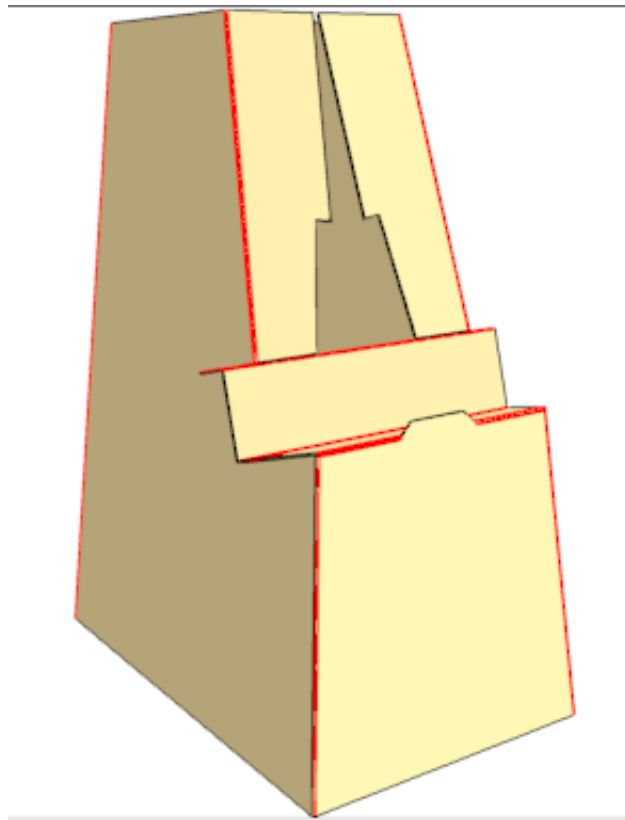
Tray With Header



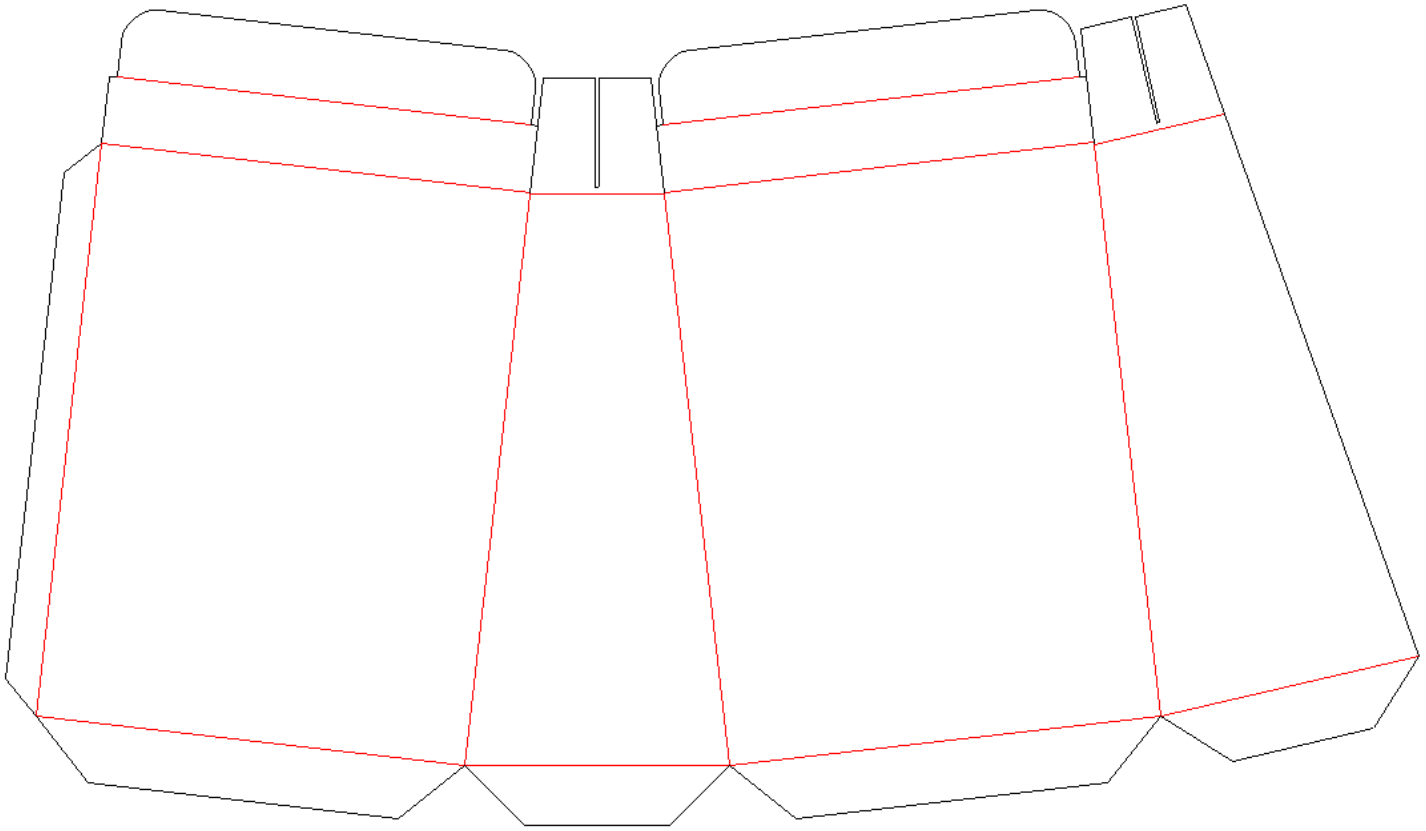
Display bases

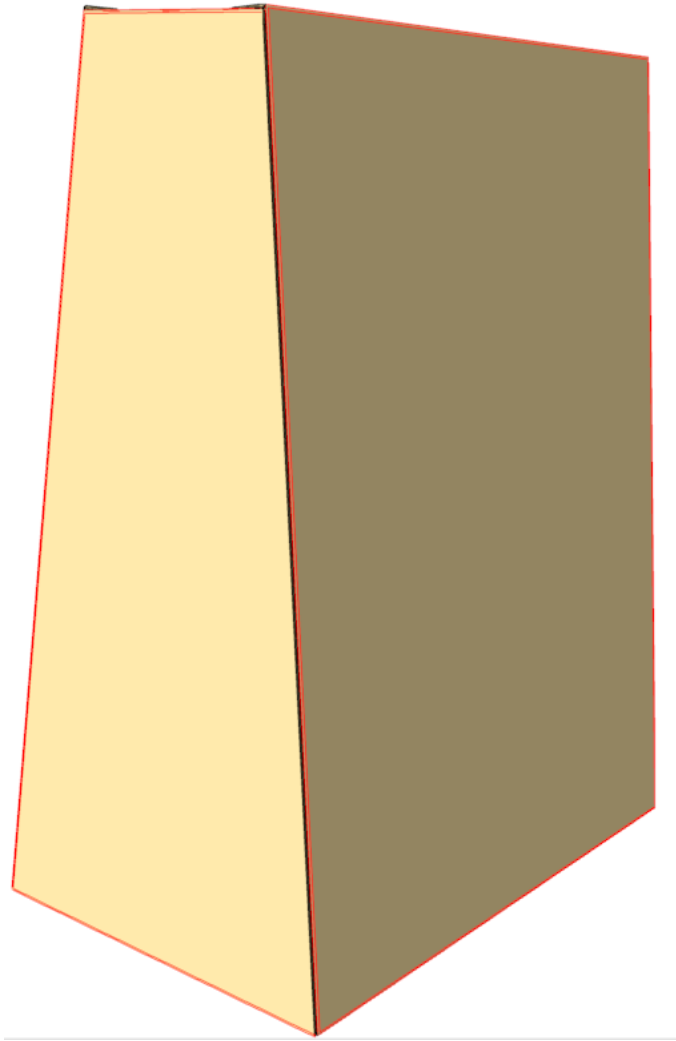
All side slope base



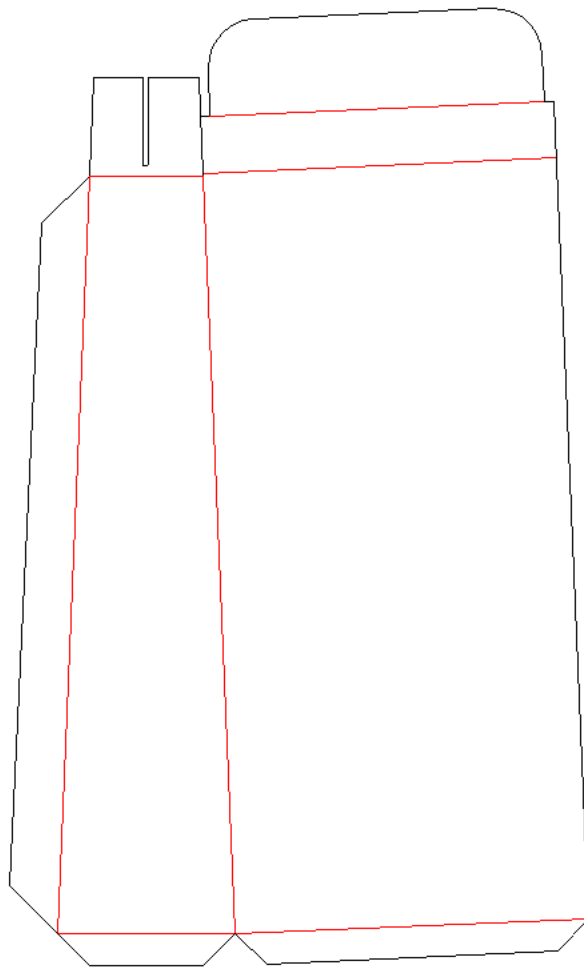


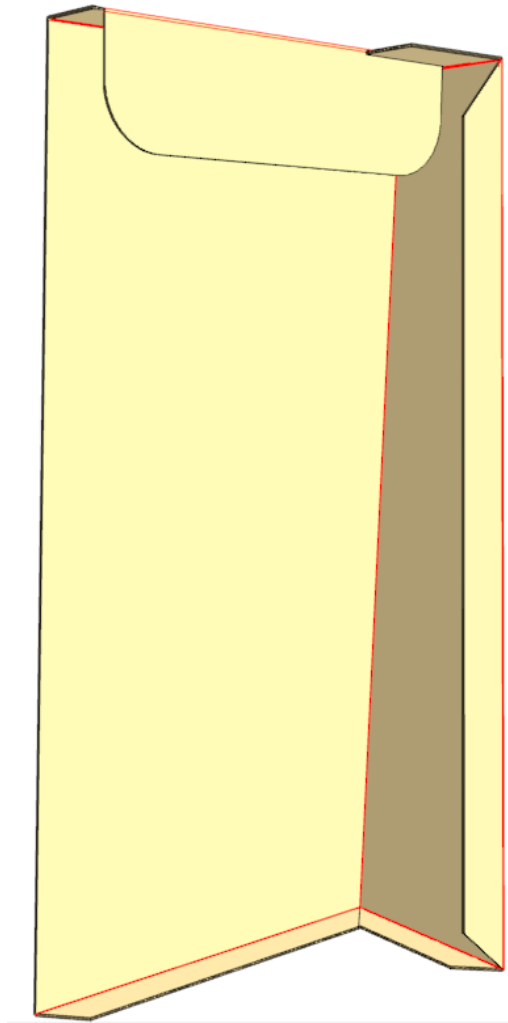
Angle Base End Joint



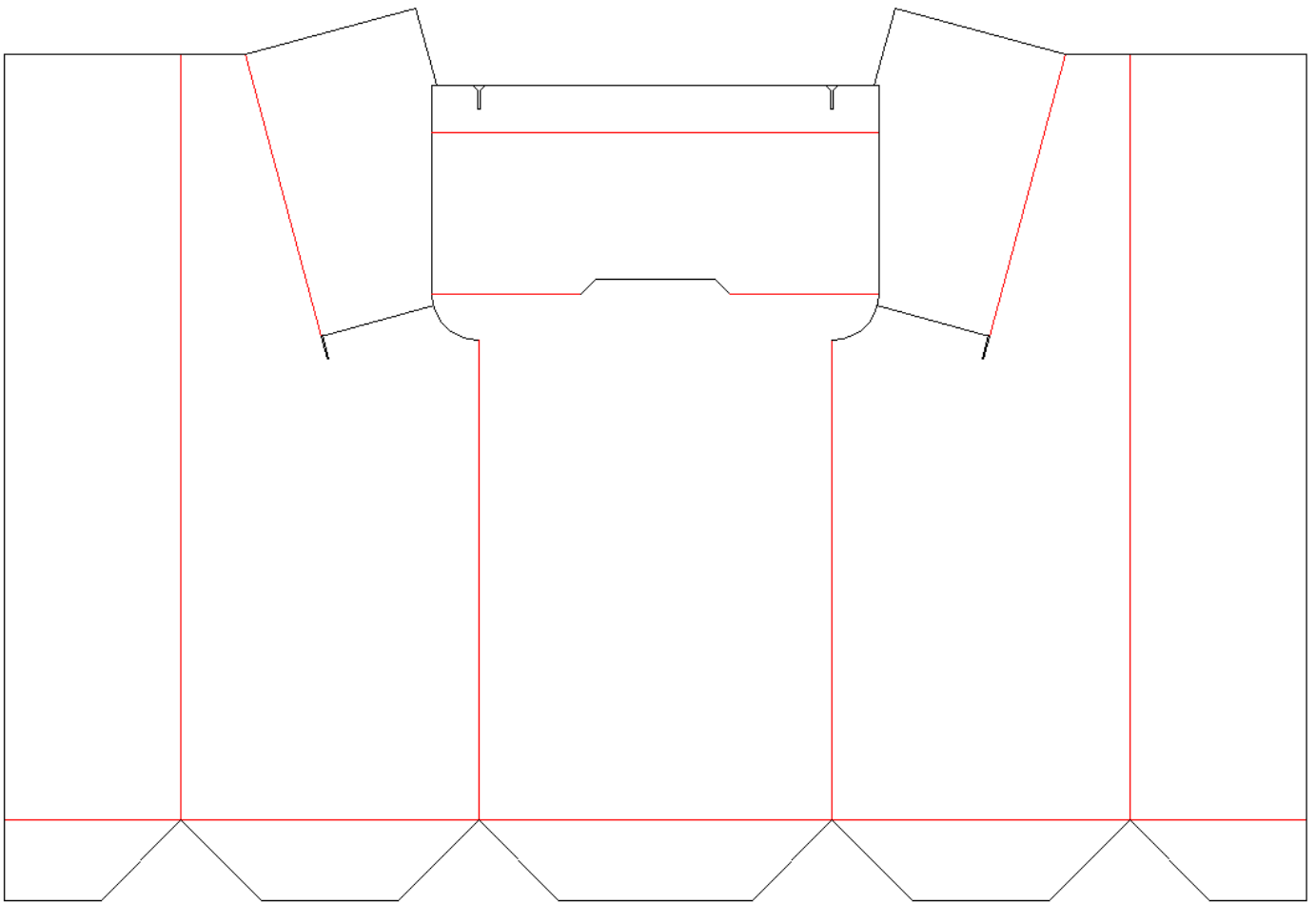


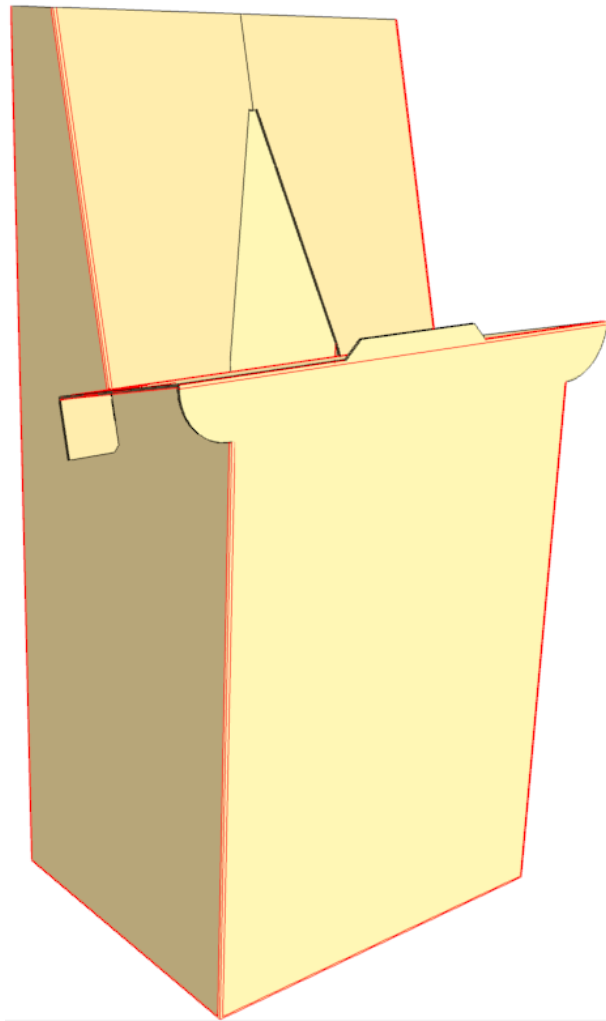
Angle Base Half Base



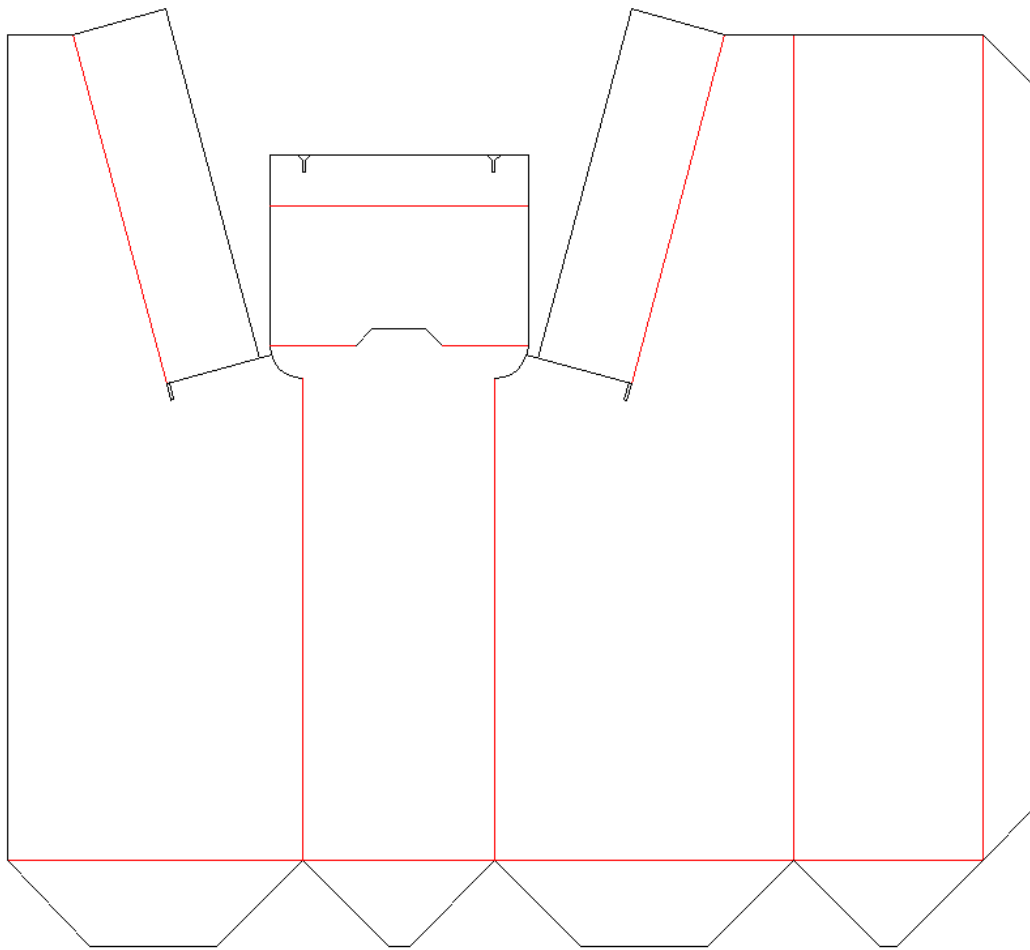


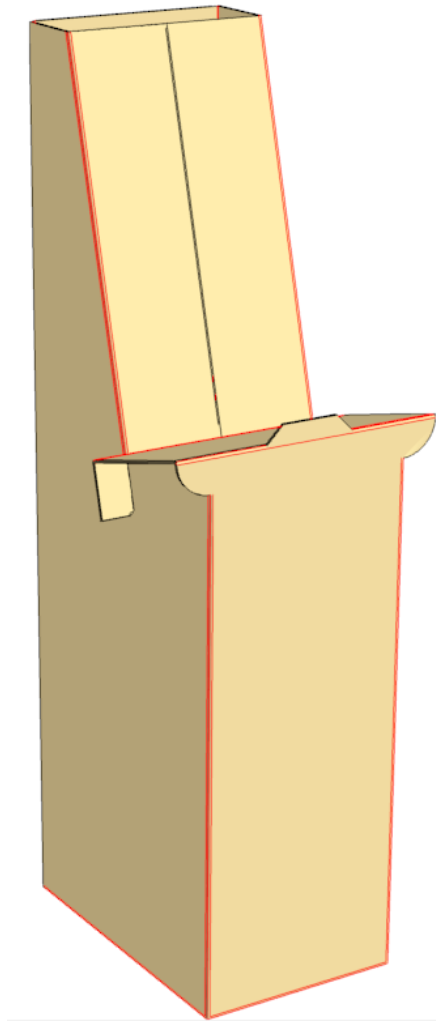
Display Base2- Center Joint Flg1



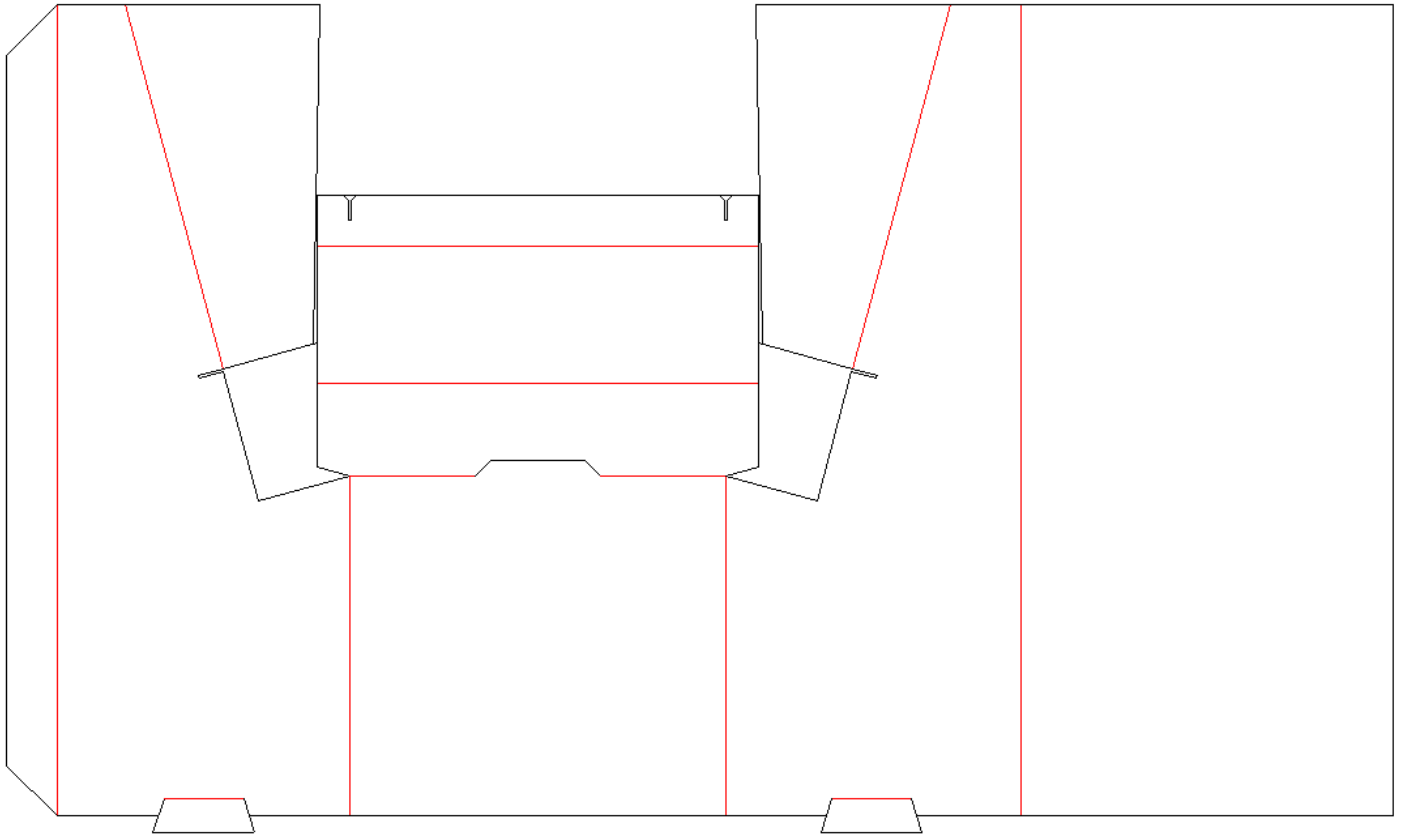


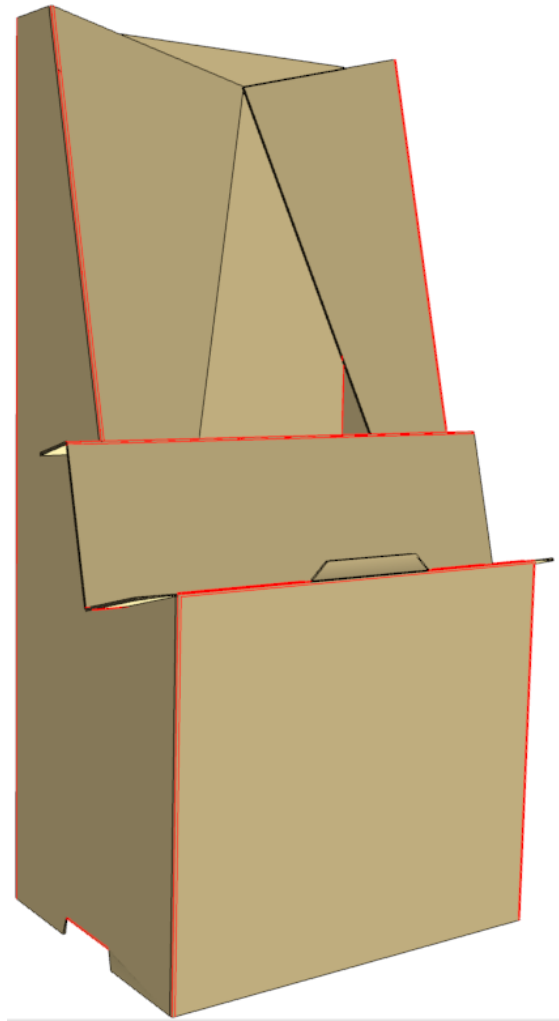
Display Base 2-End Joint Flg



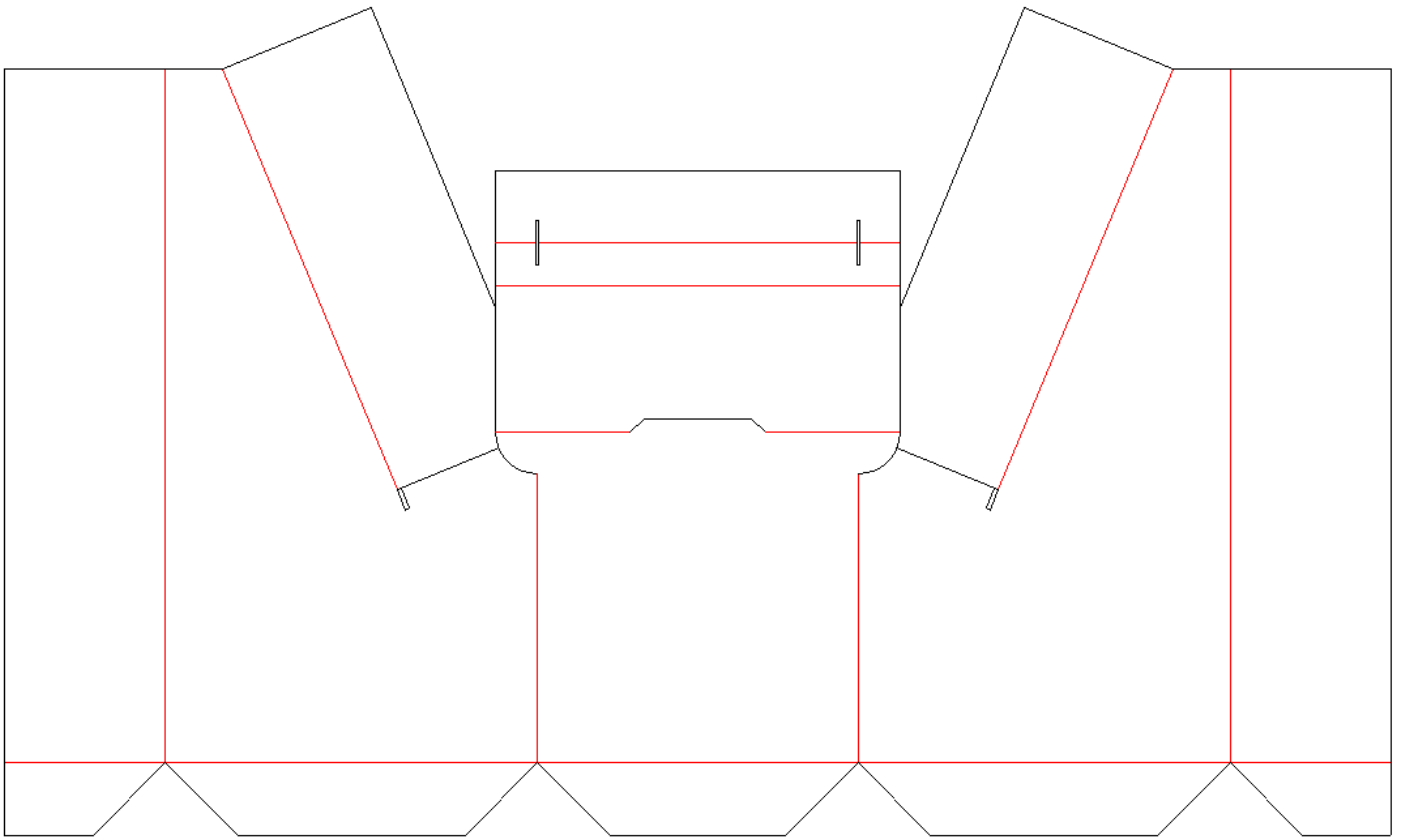


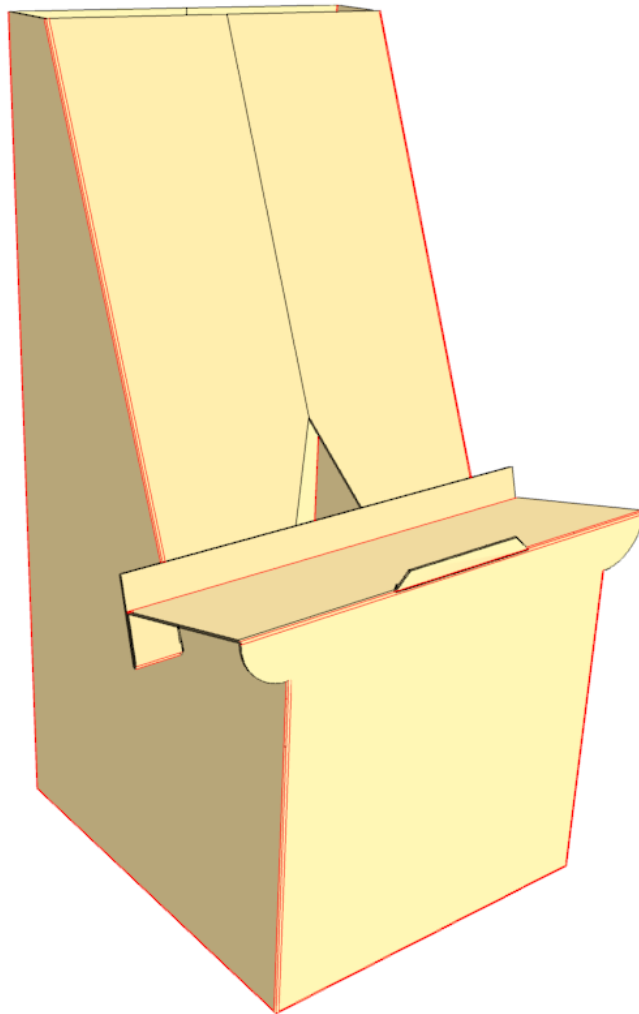
Display Base 3-End Joint



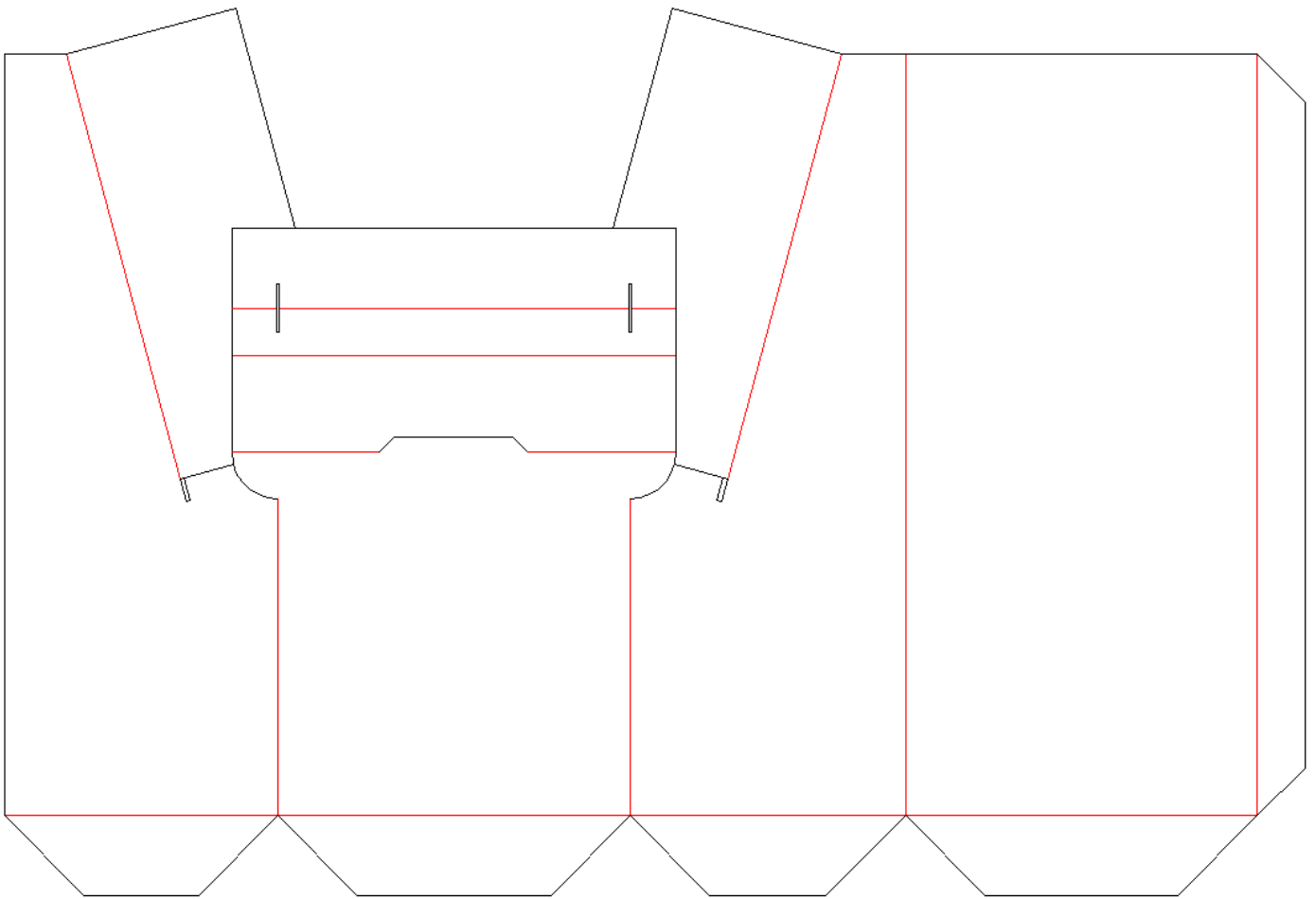


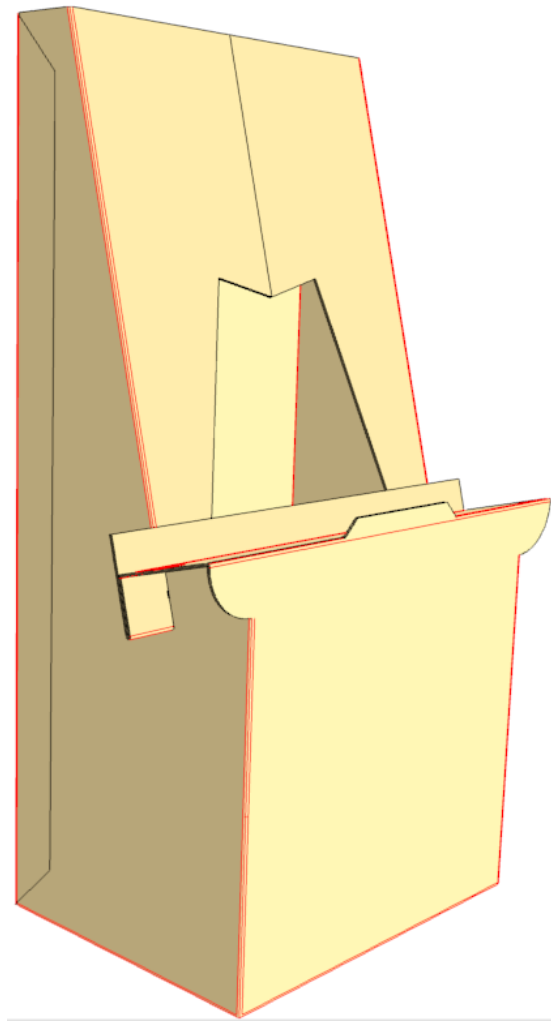
Display Base-Center Joint



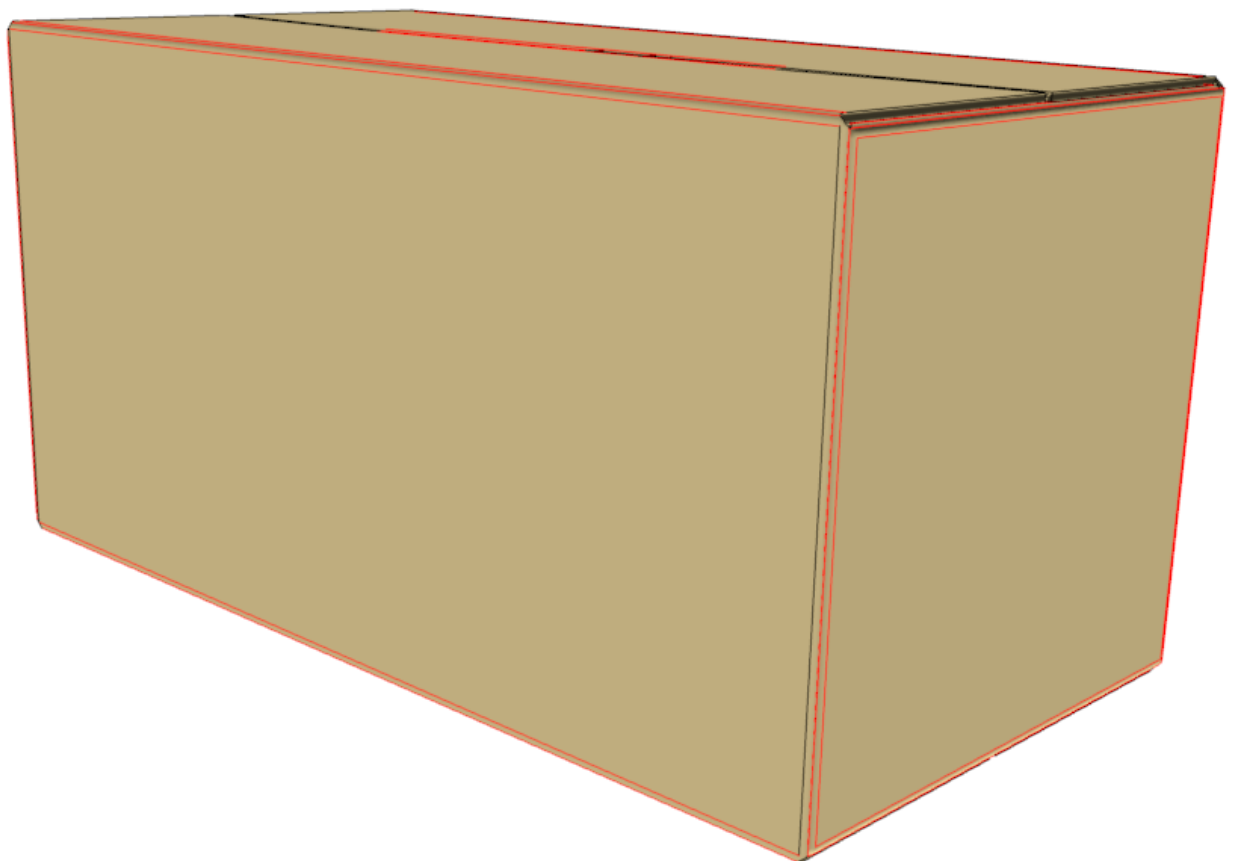
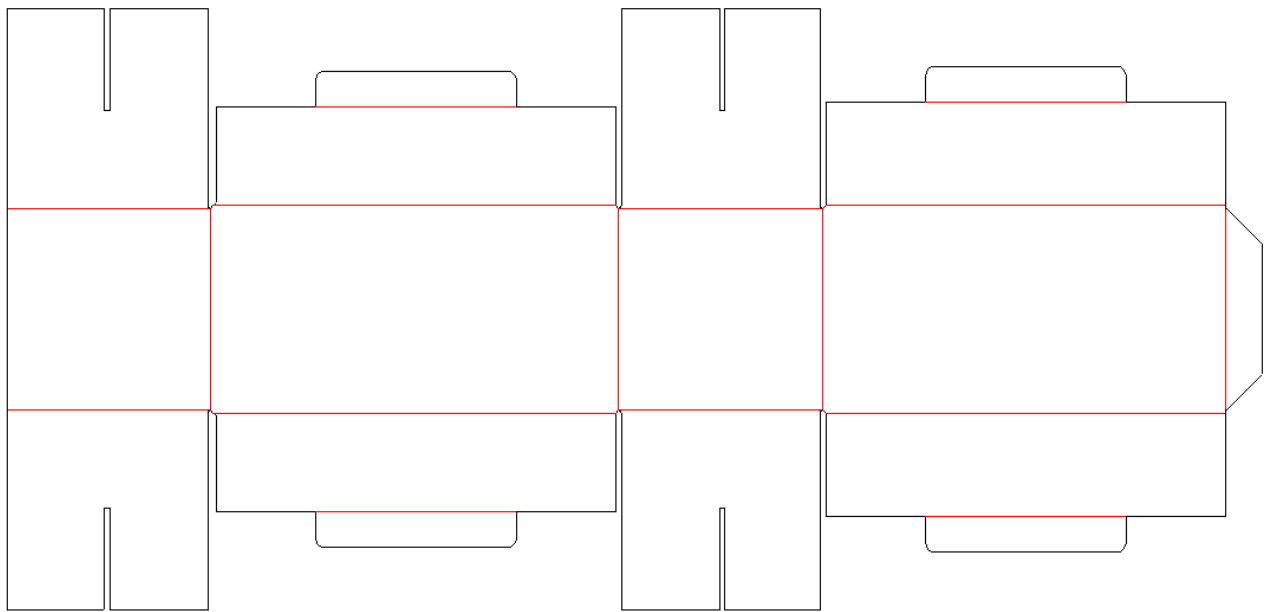


Display Base-End Joint1

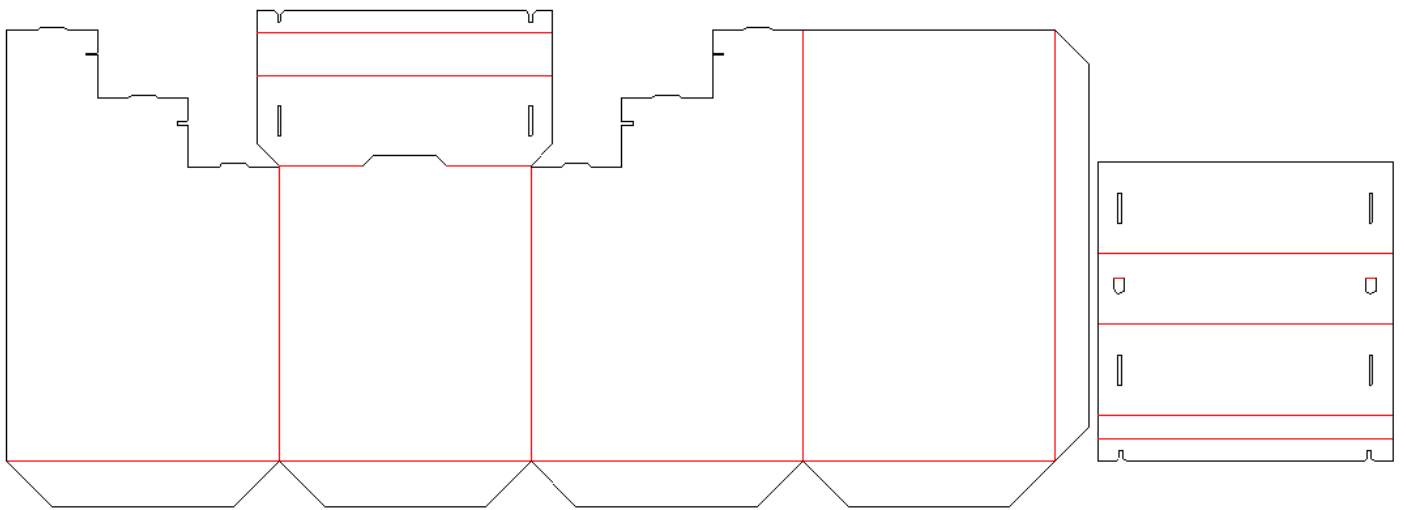


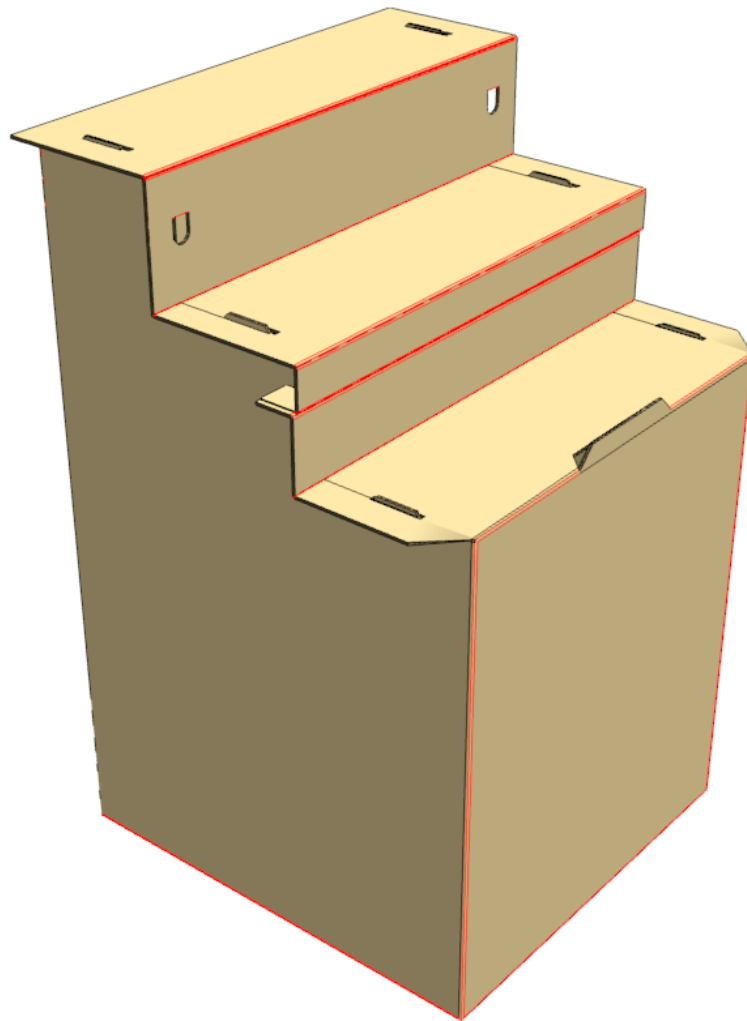


Pallet Base



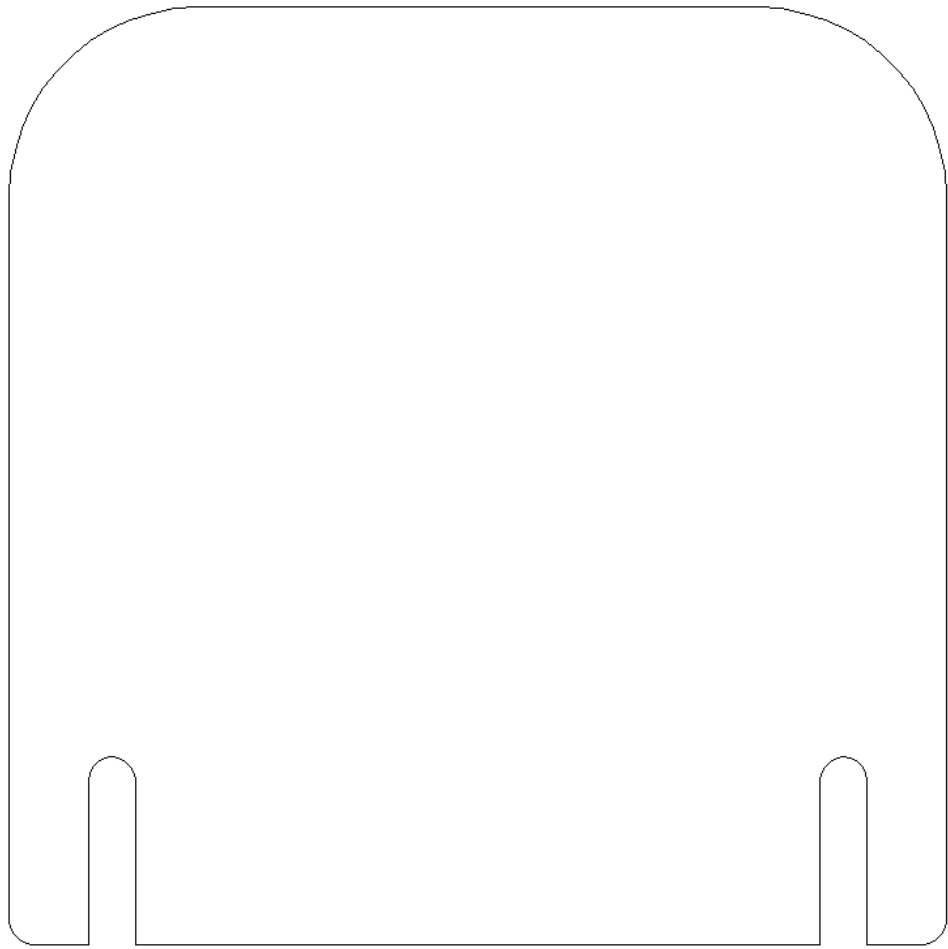
Step Base-End Joint-Flange

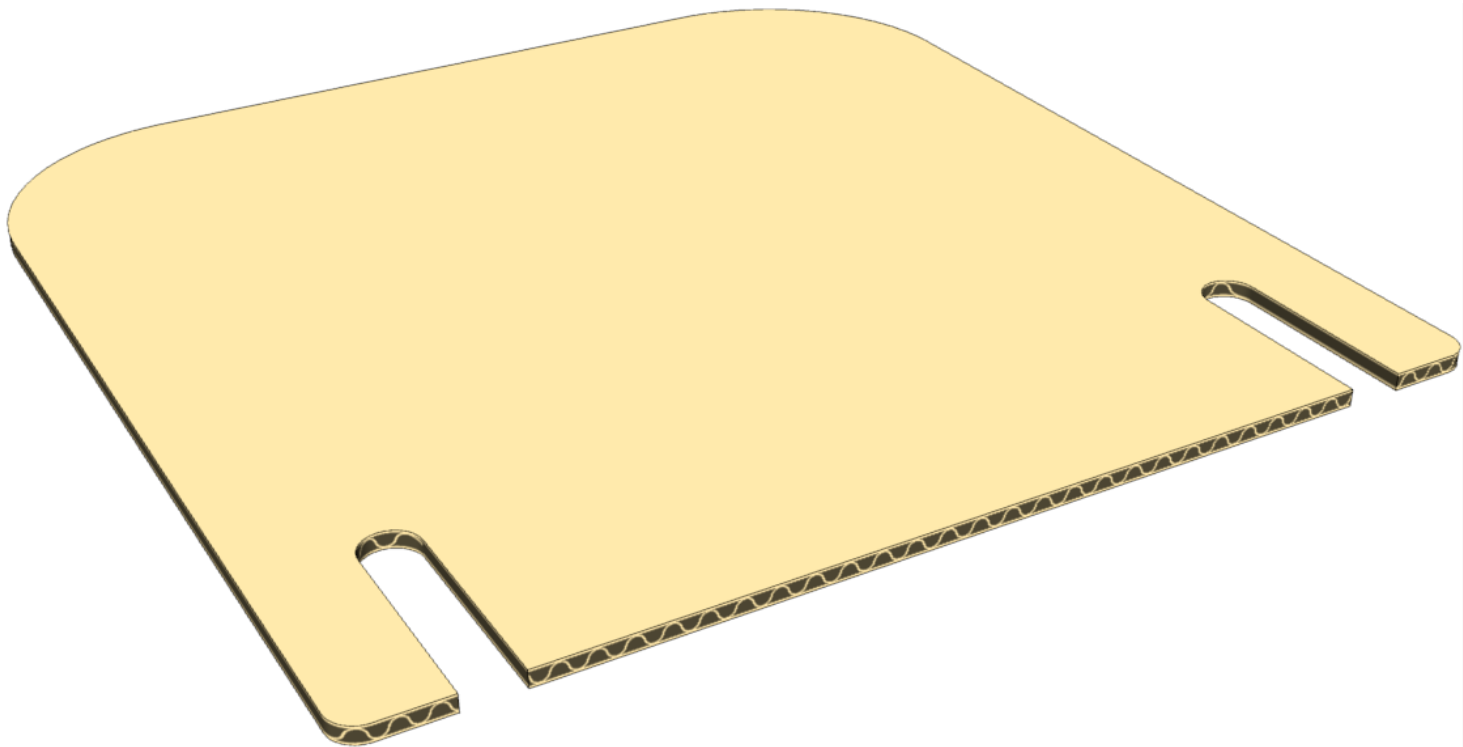




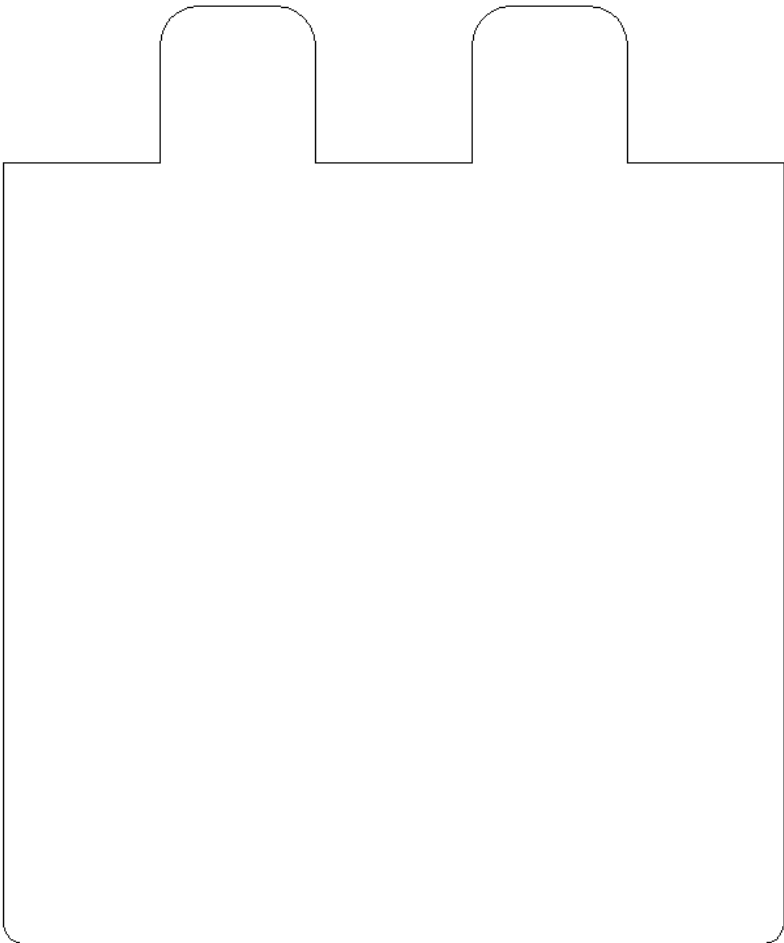
Display Headers

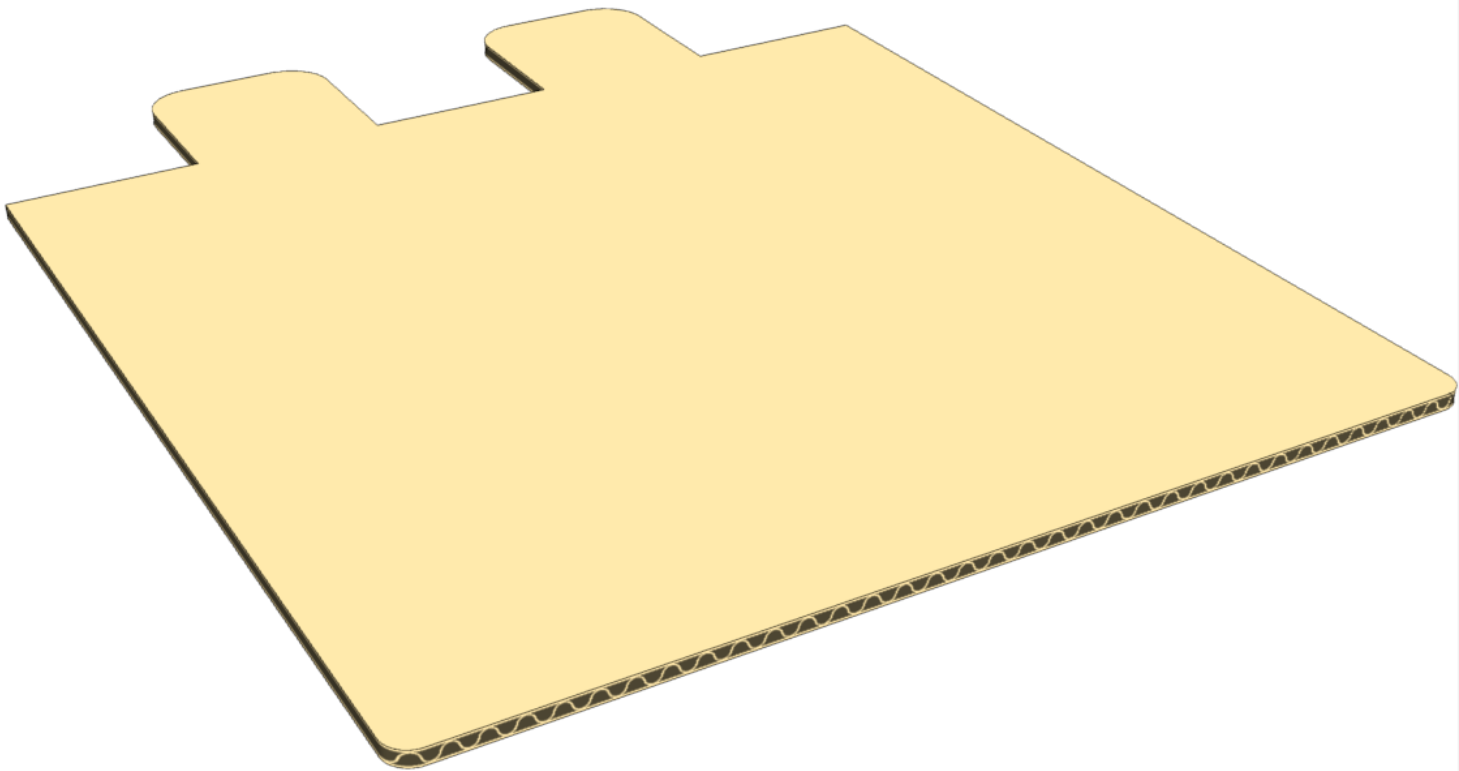
Counter Tray Header 2



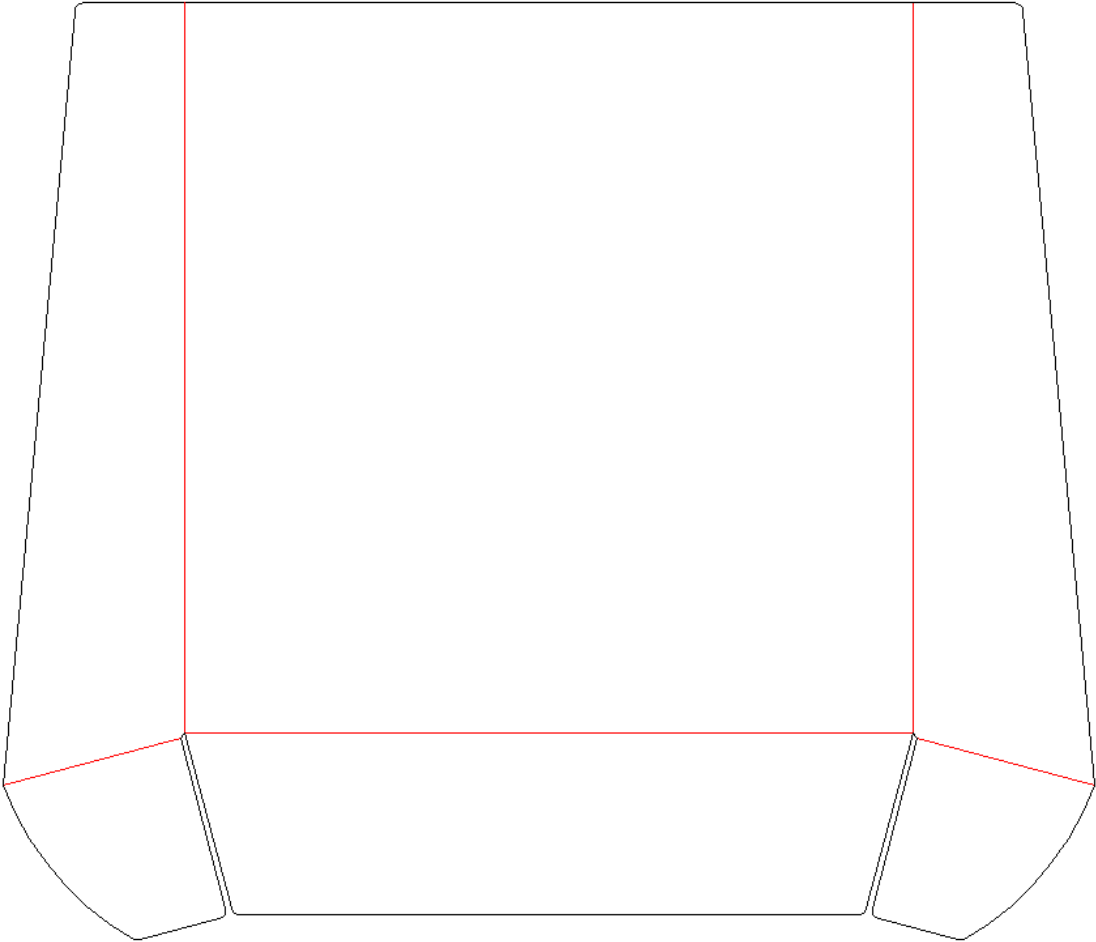


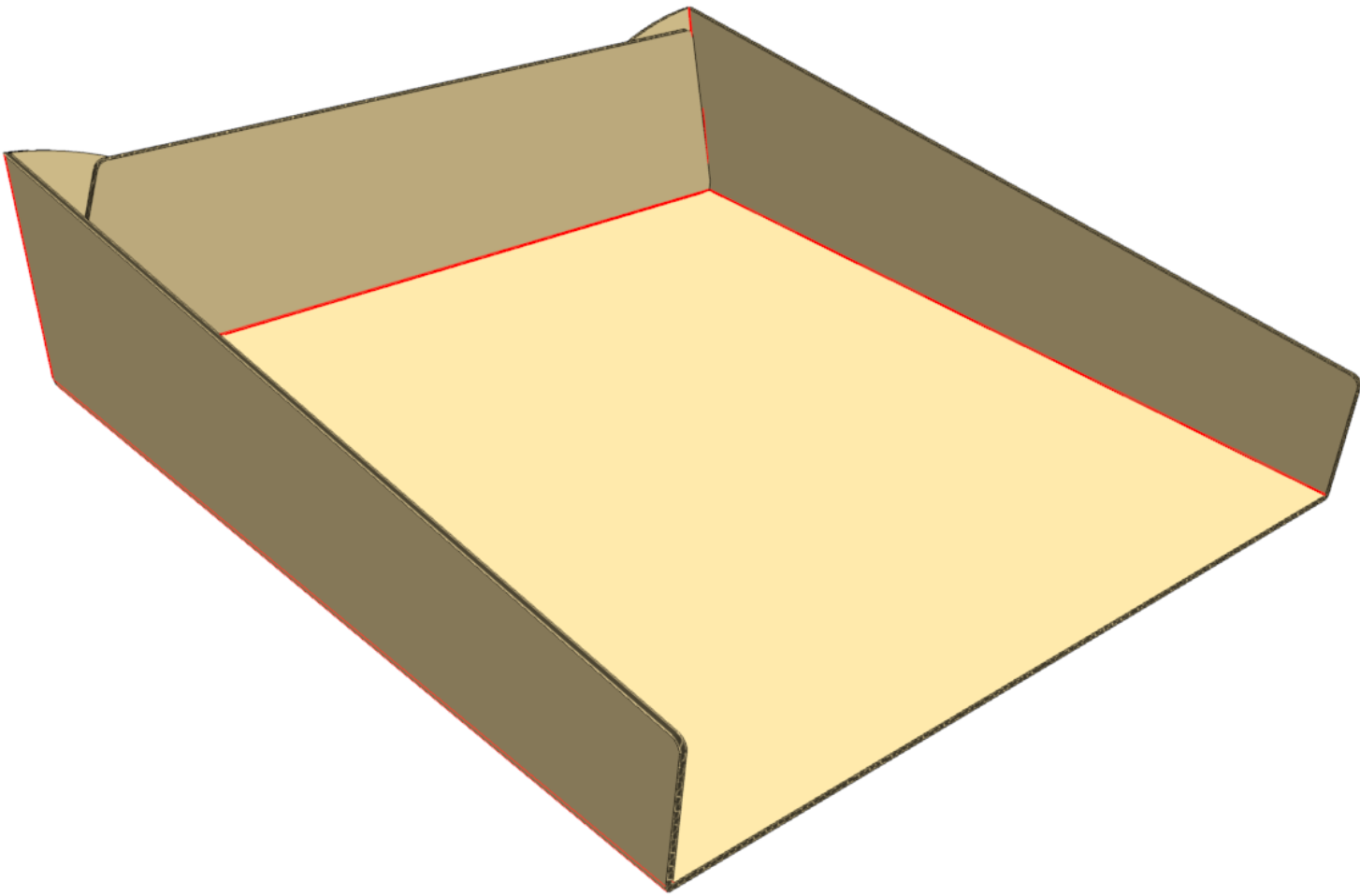
Counter Tray Header 4



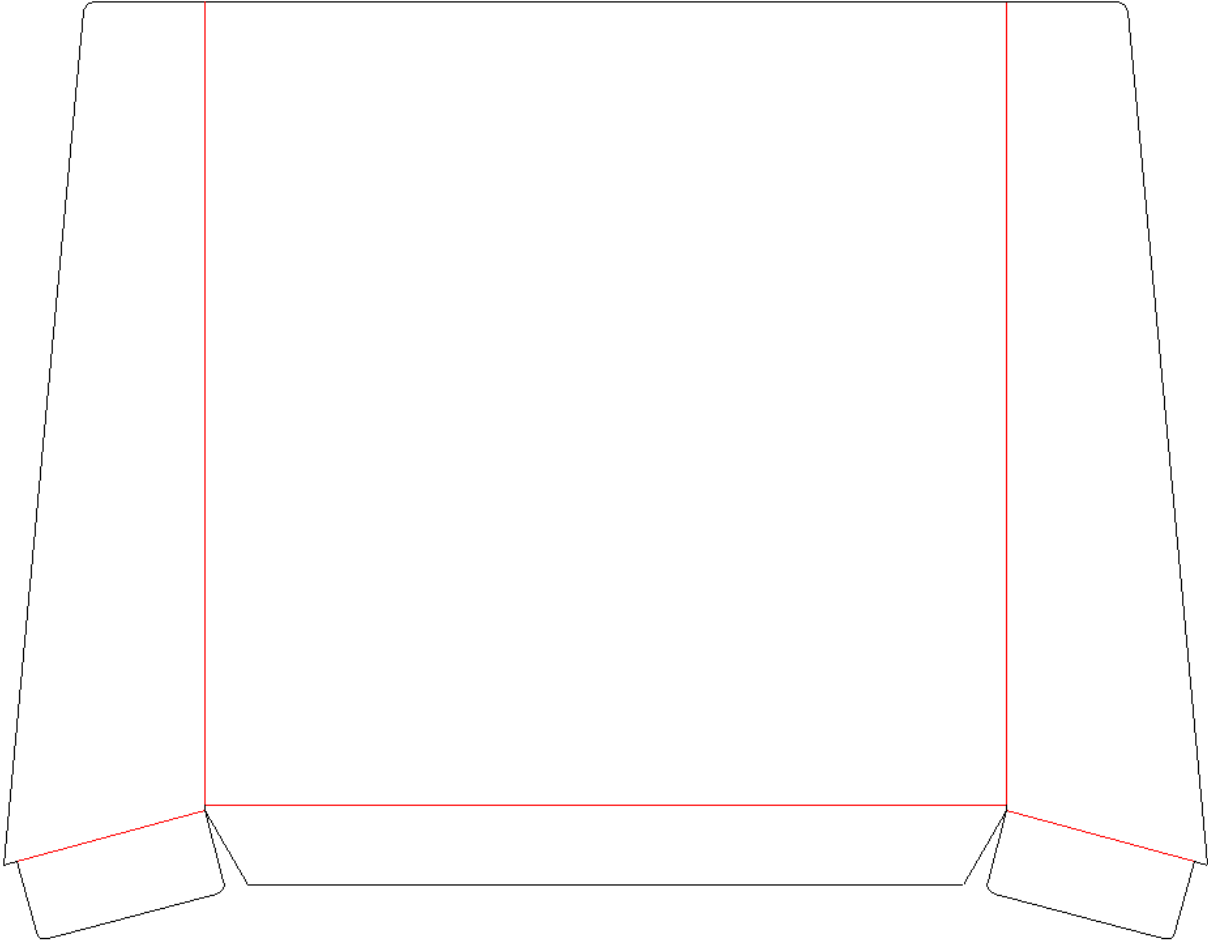


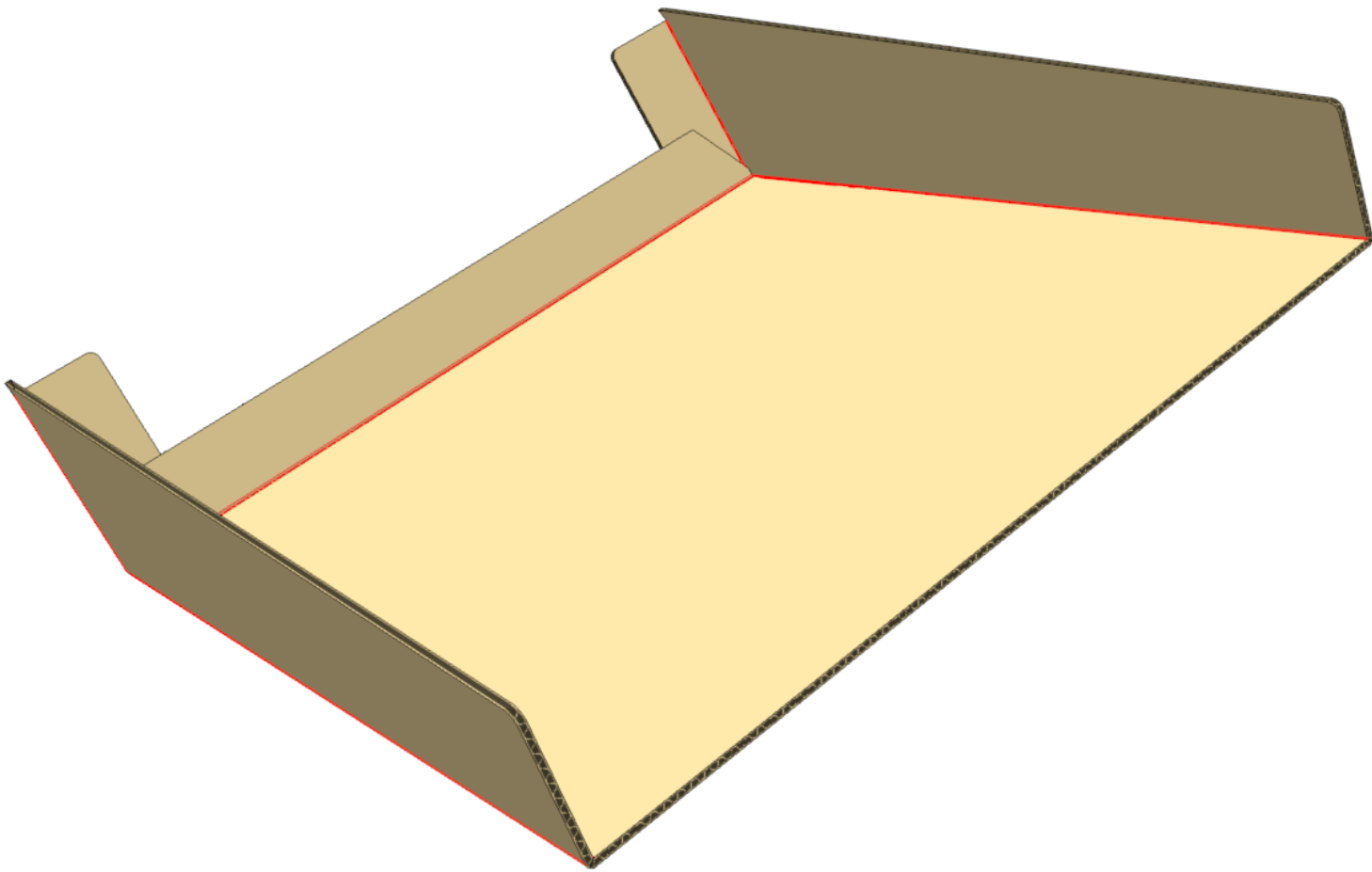
Display Tray Header





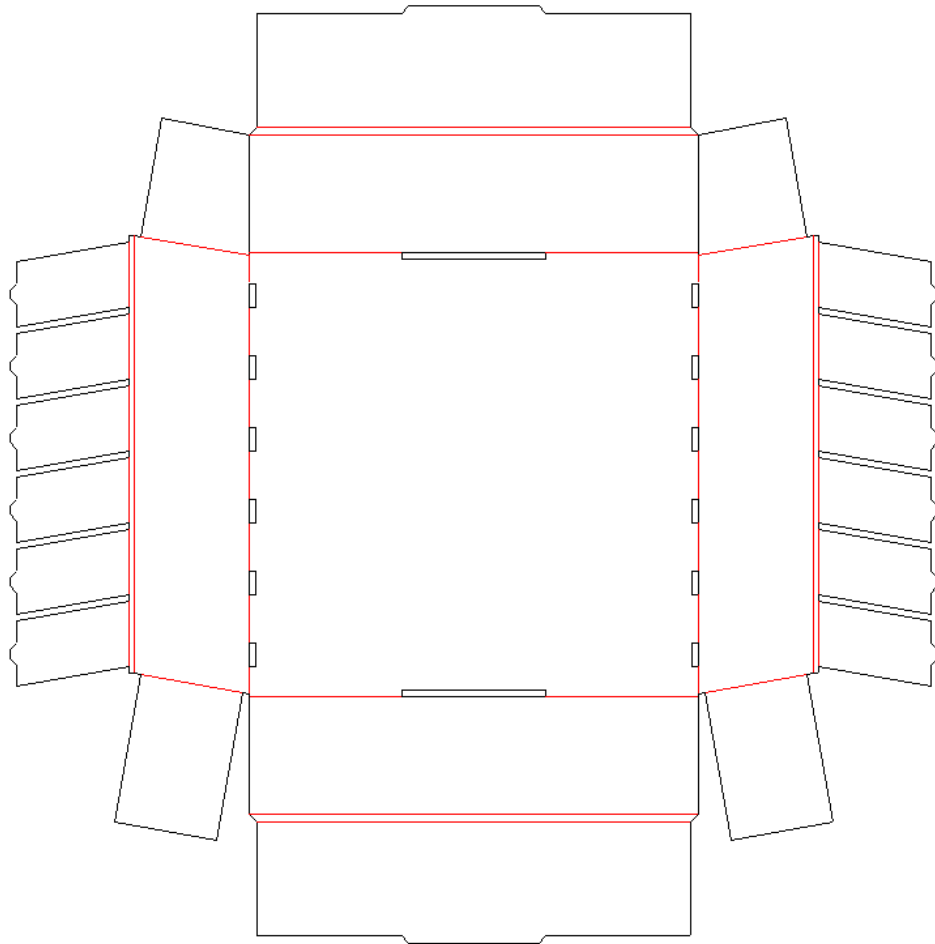
Display Tray Header 2

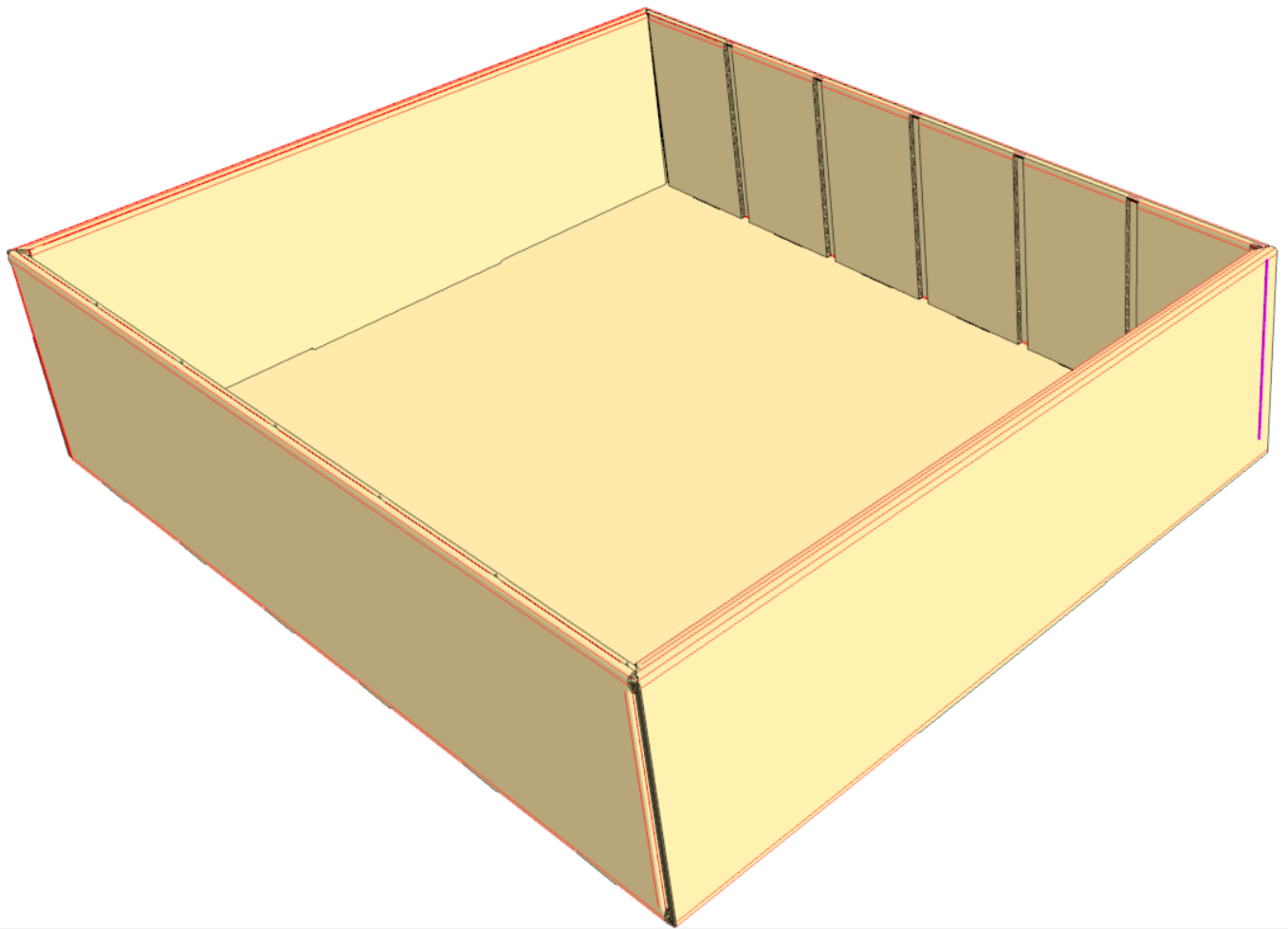




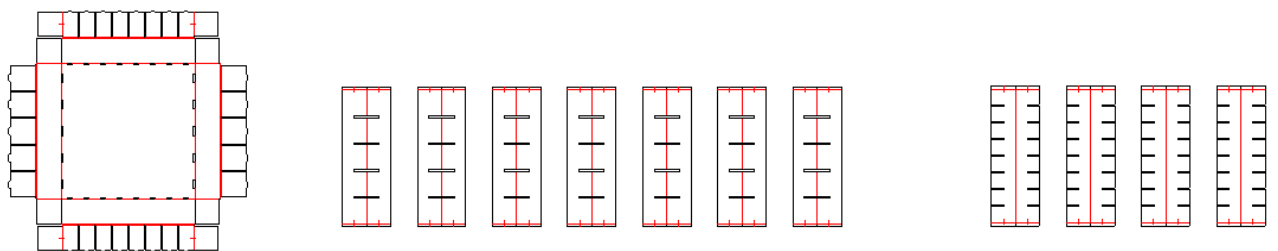
Display Trays

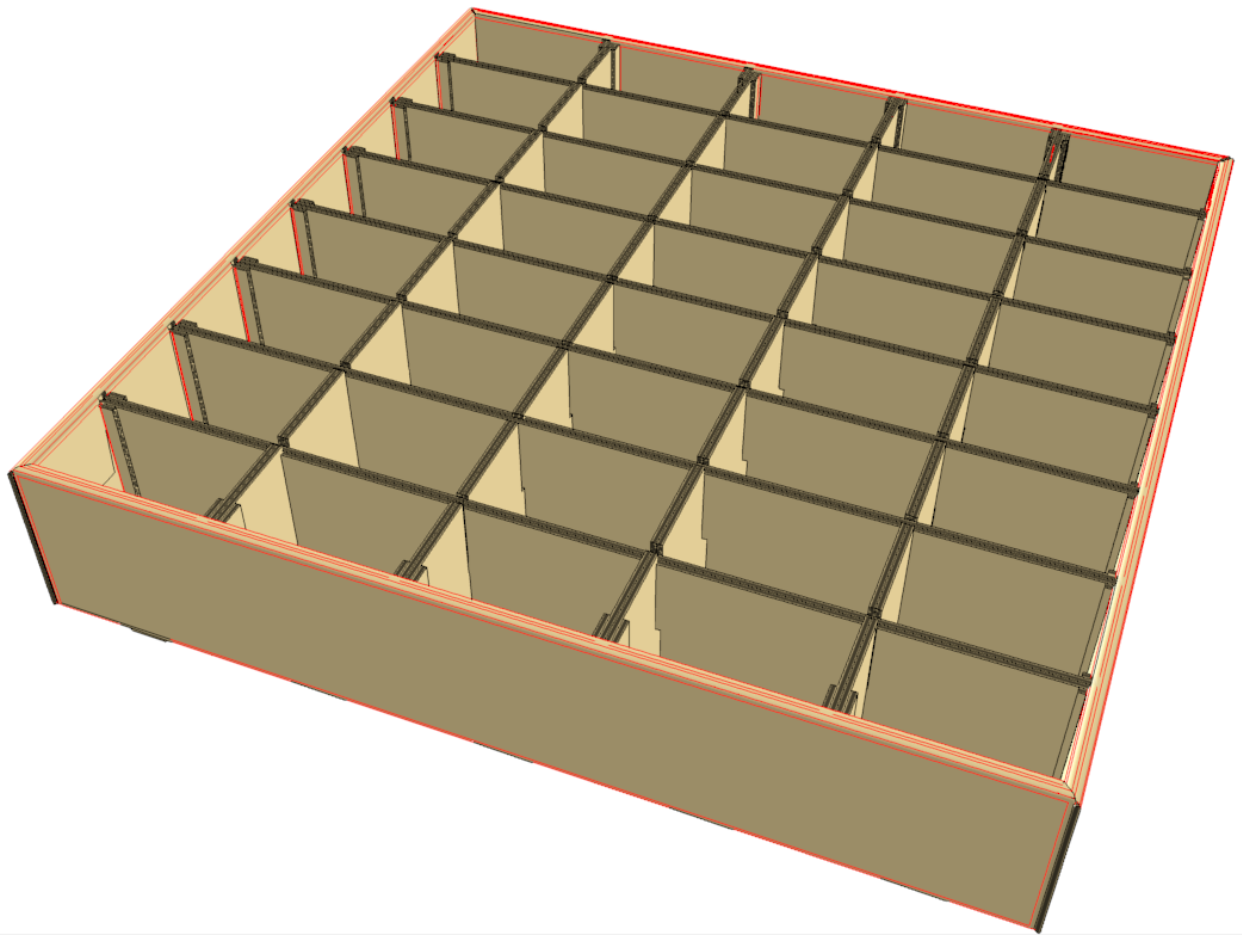
4 Cell Power Wing Tray



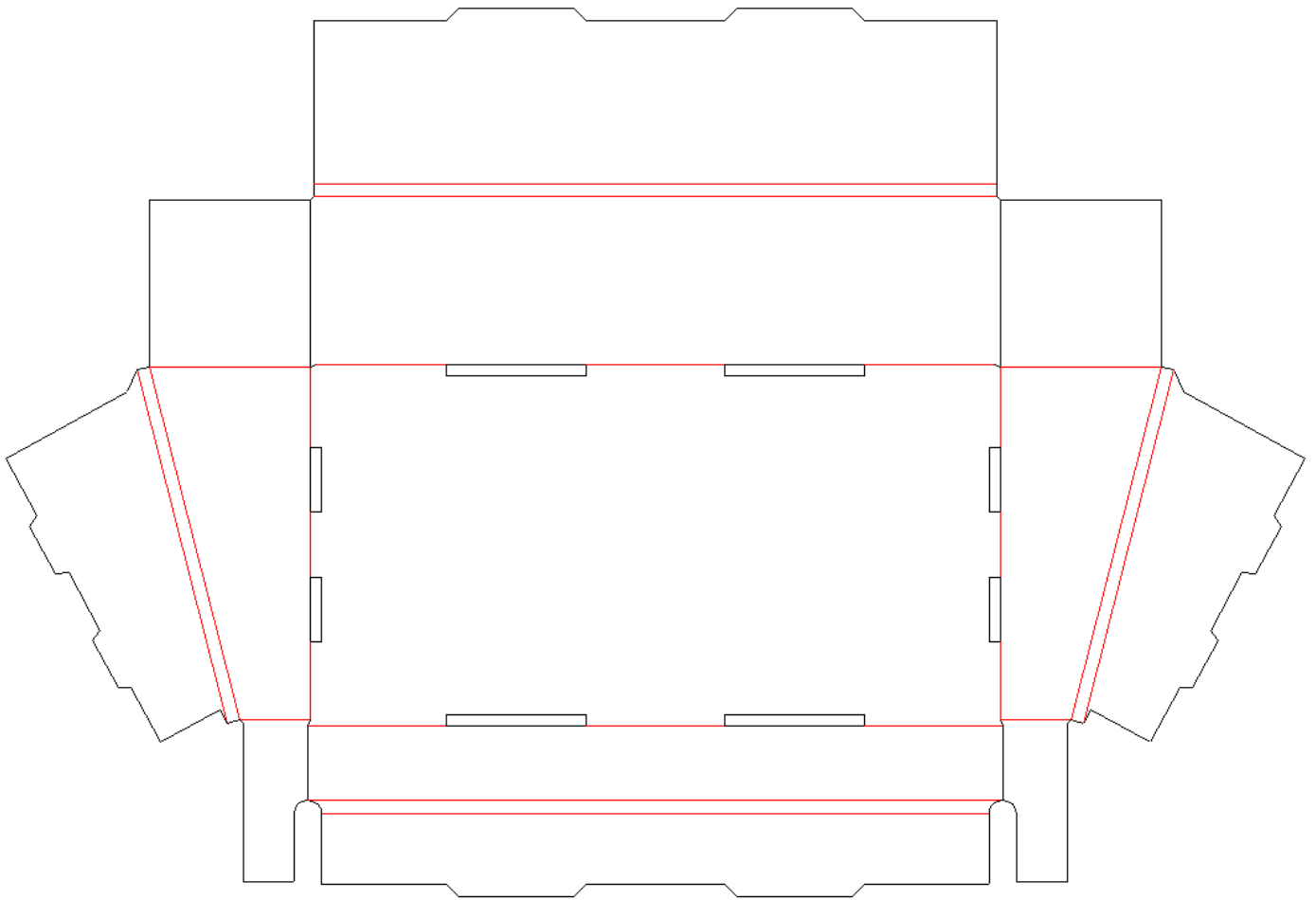


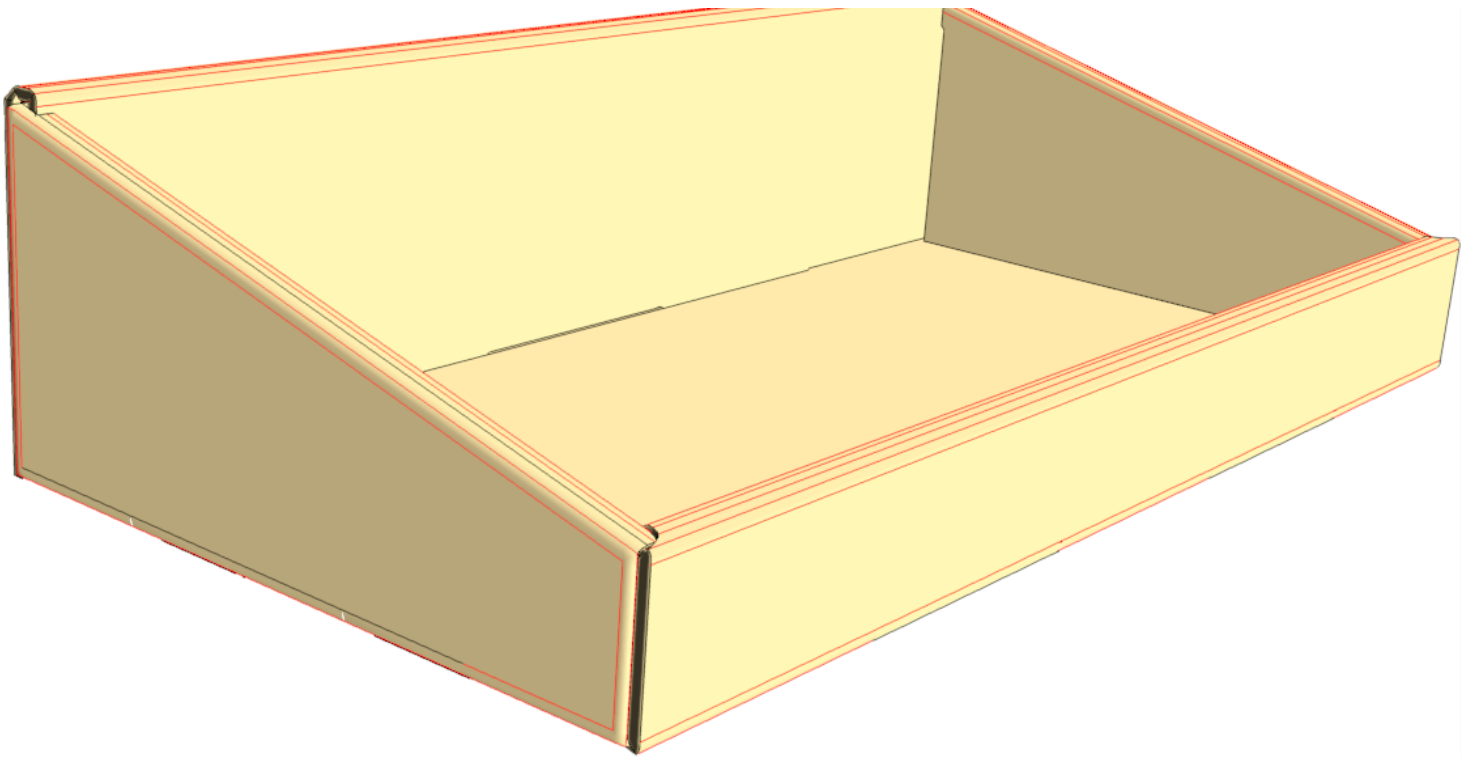
Display Tray With Dividers



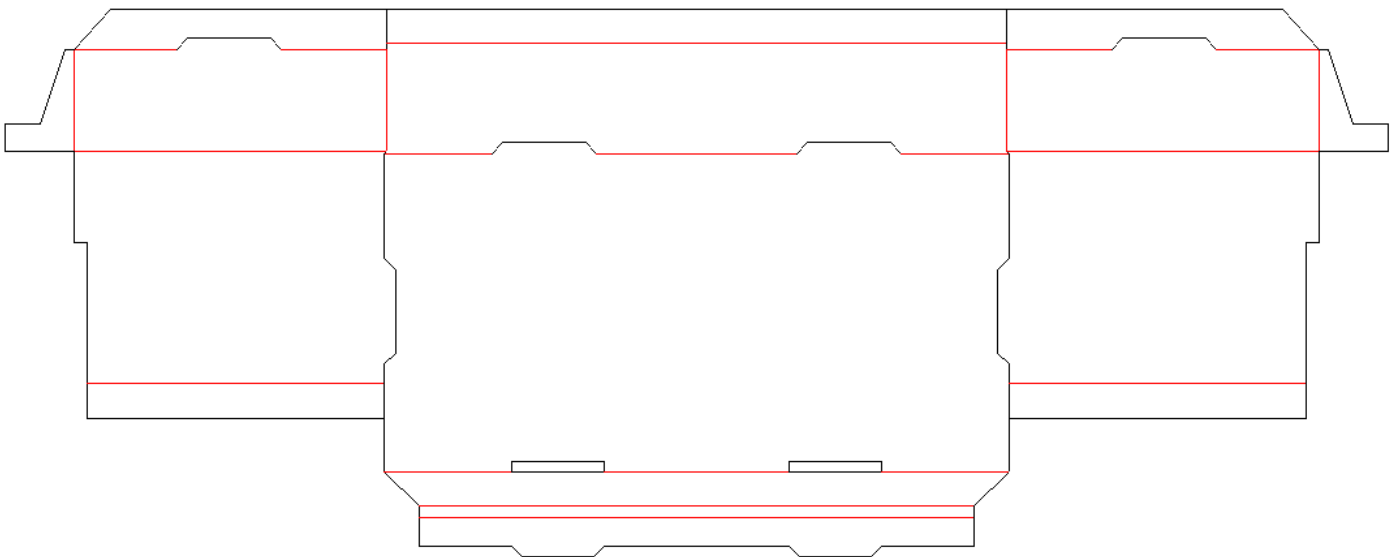


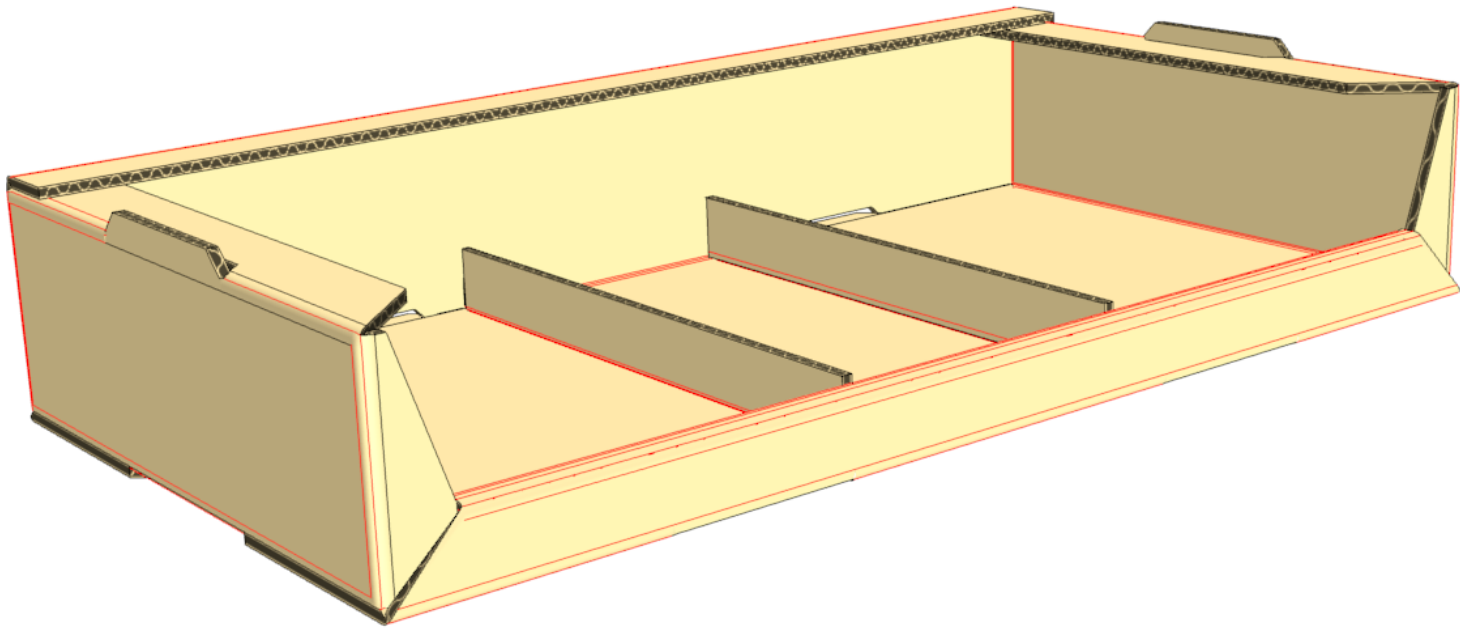
Self Ship Double Back



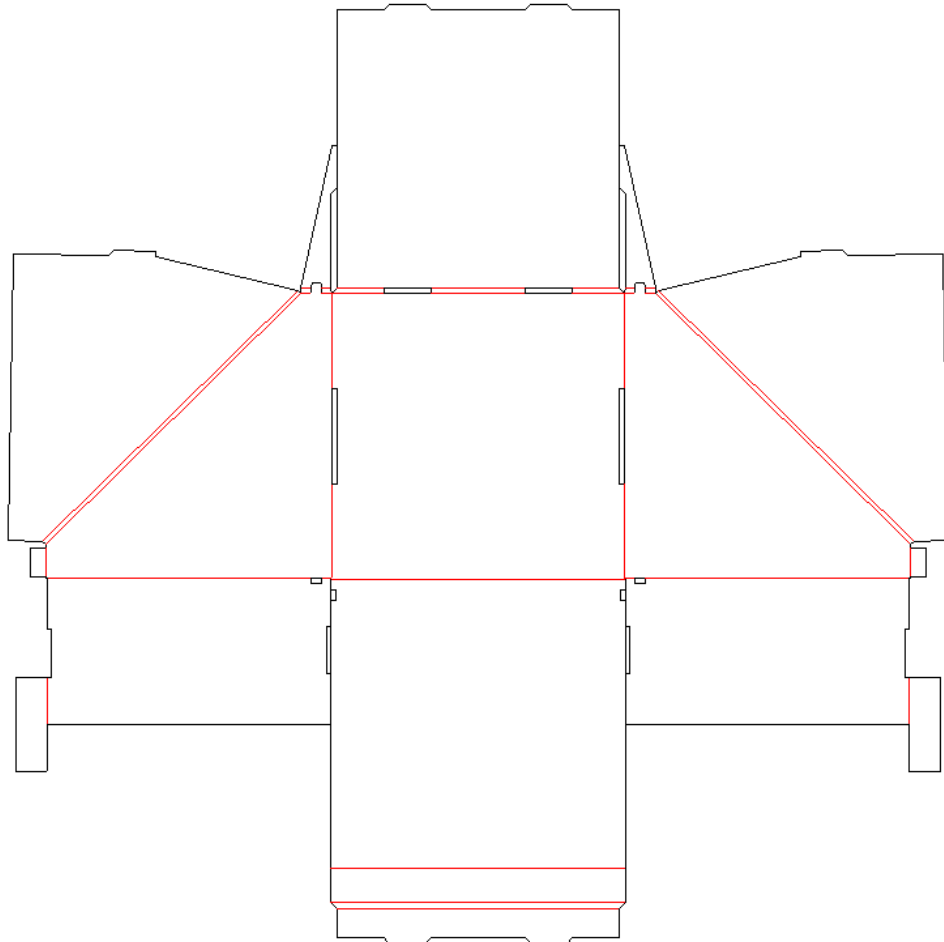


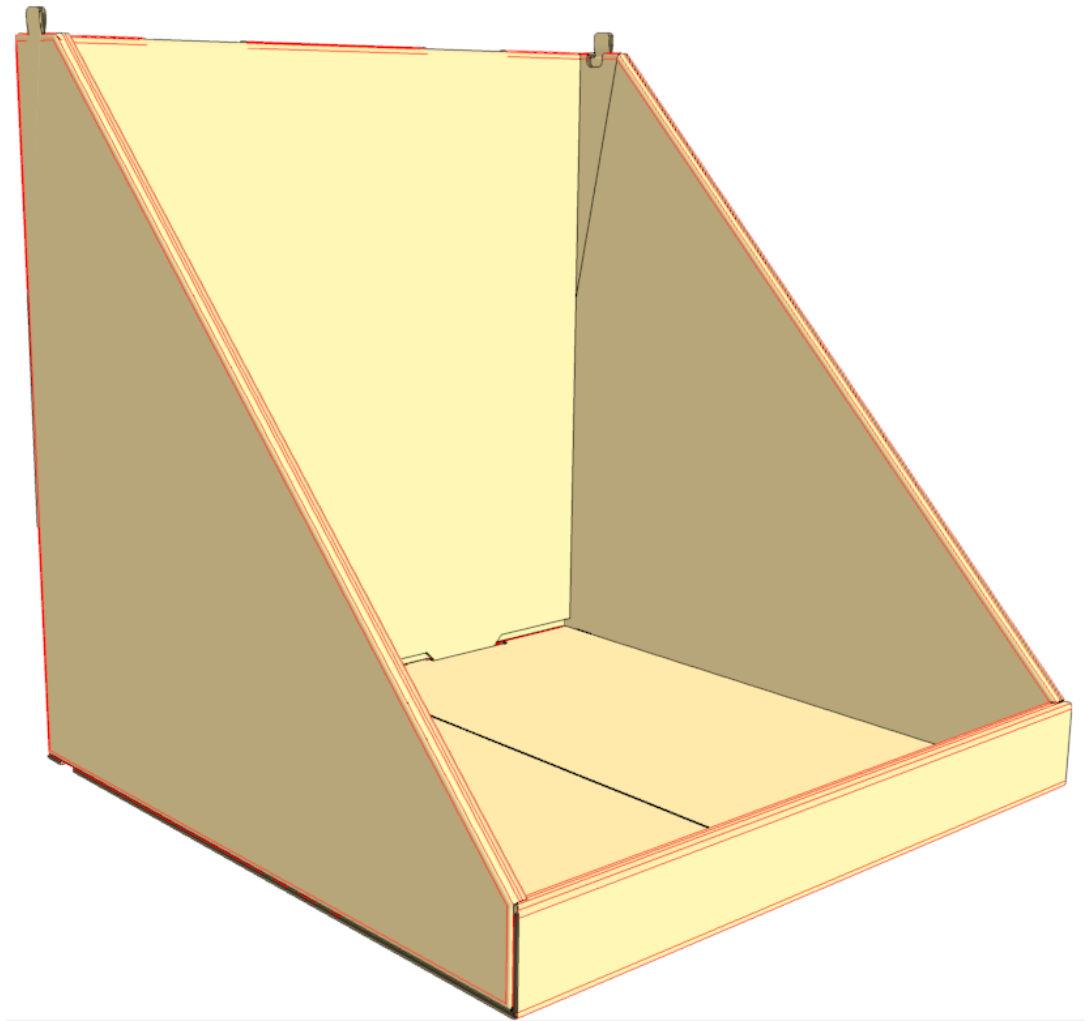
Shelf Displayer1



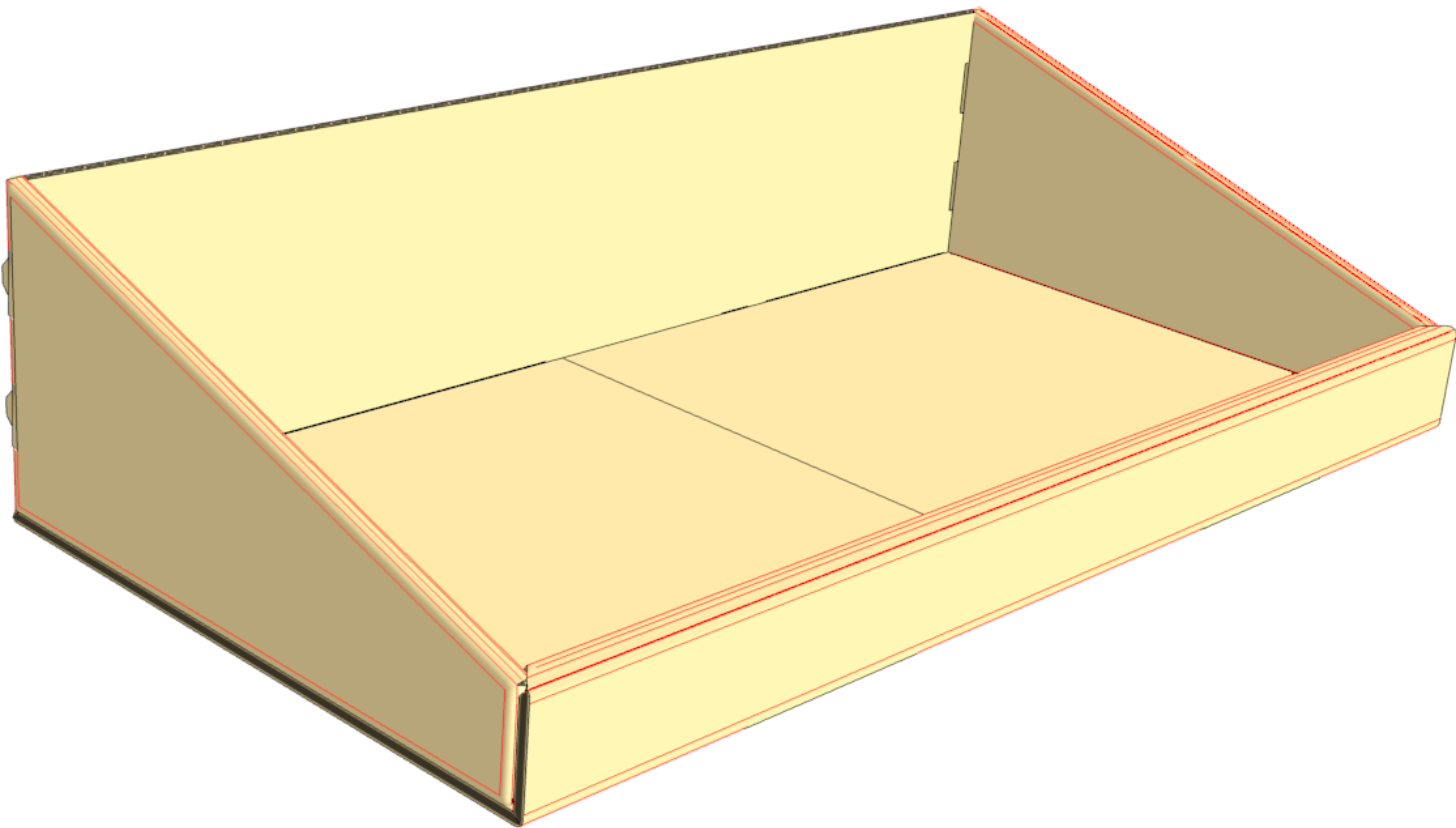
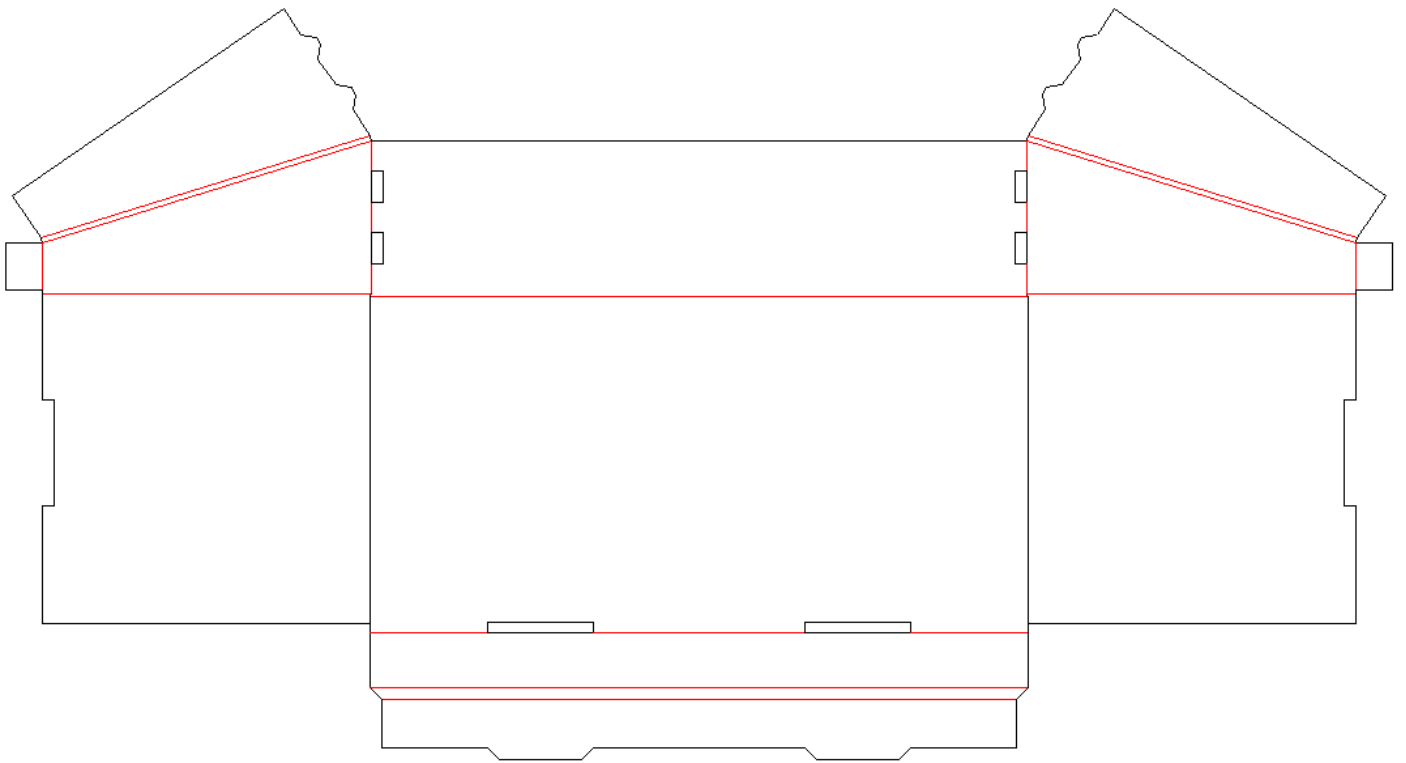


Slope Stack Side

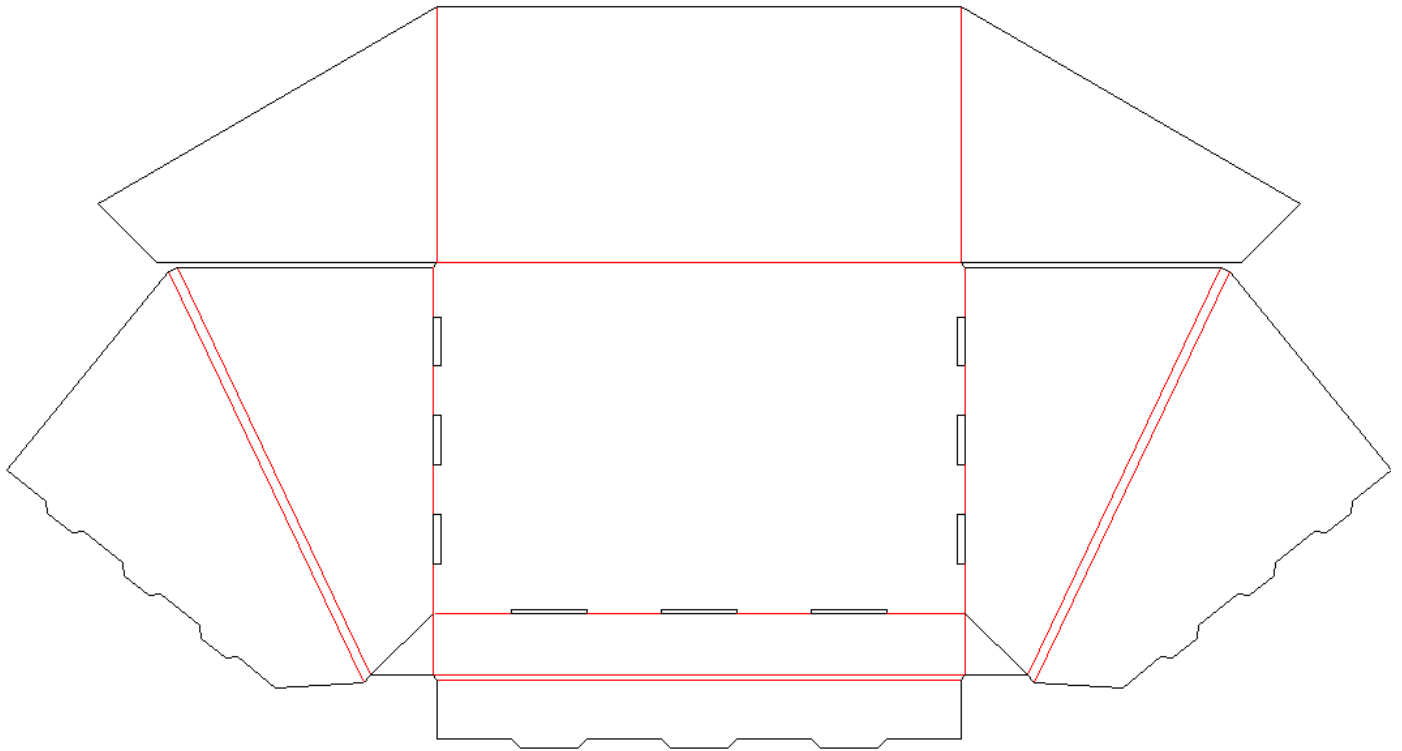


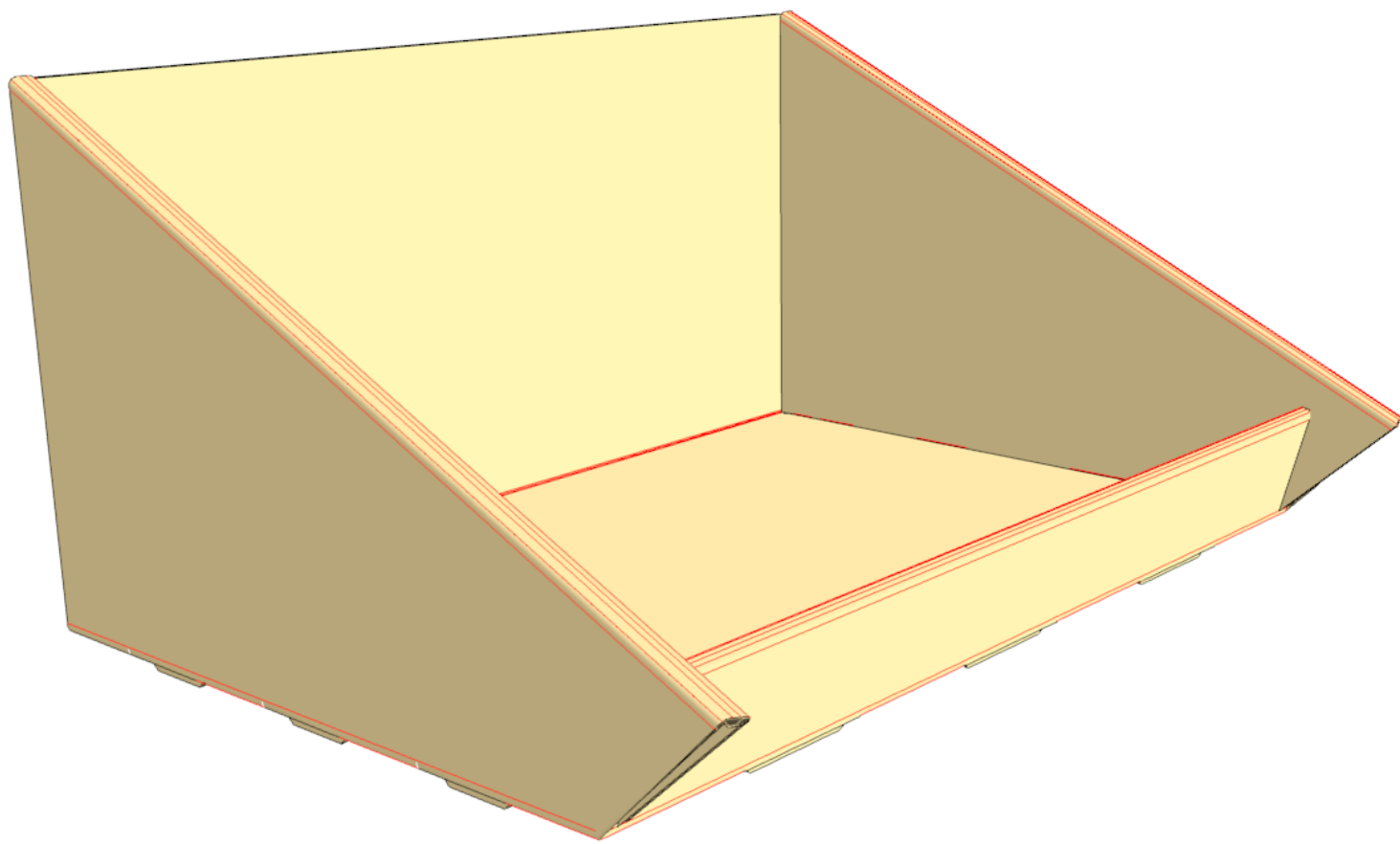


SS DBL BTM

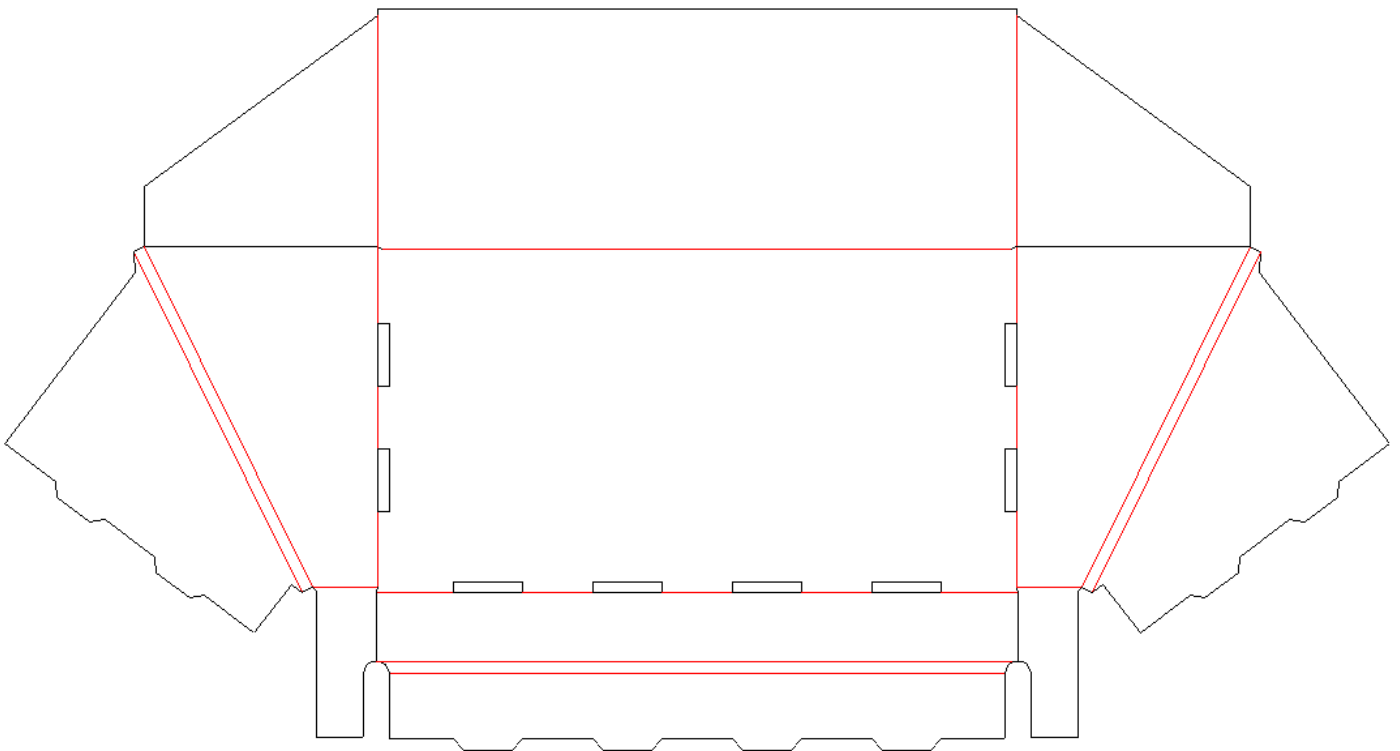


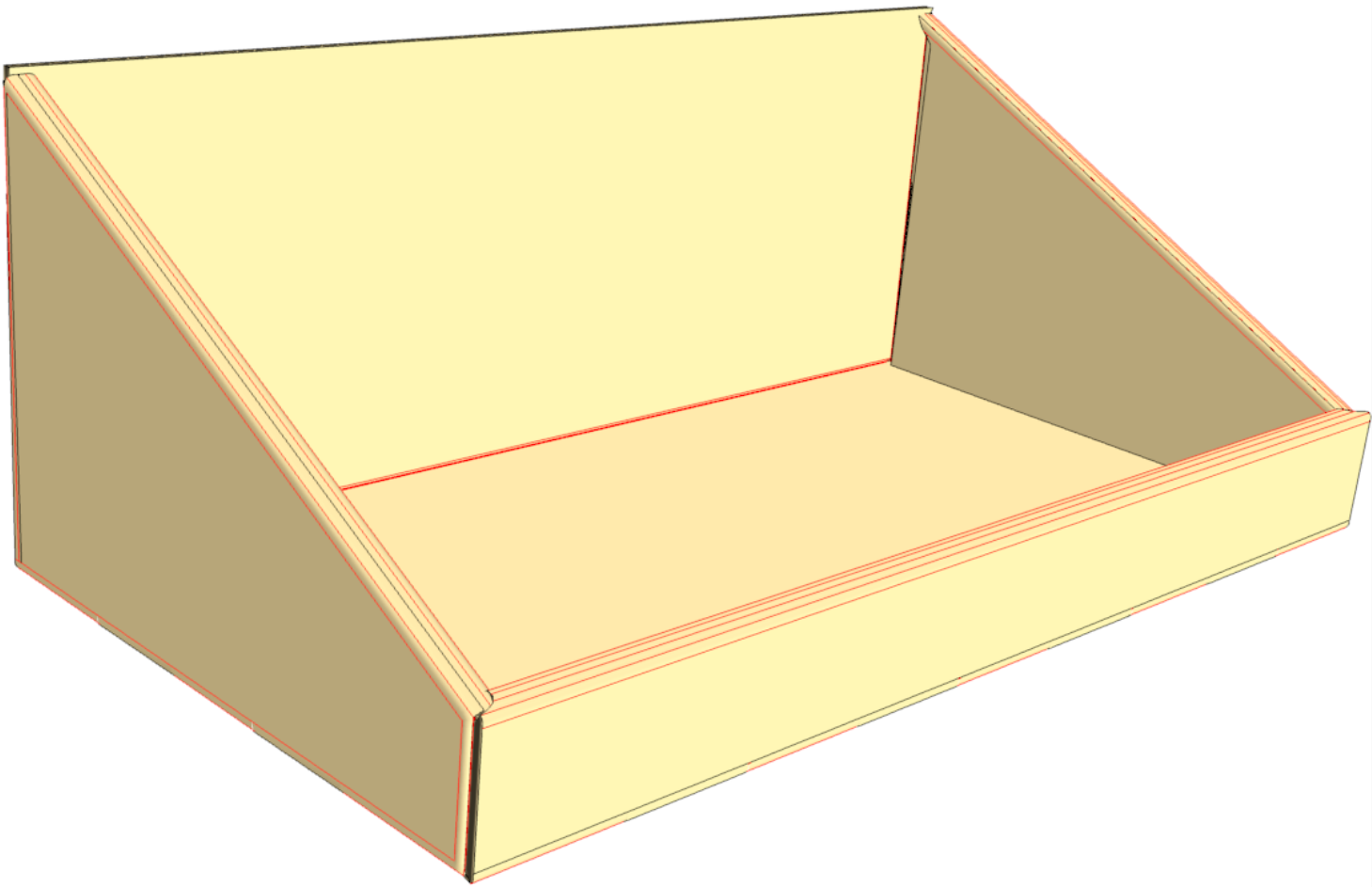
SS Lean Front



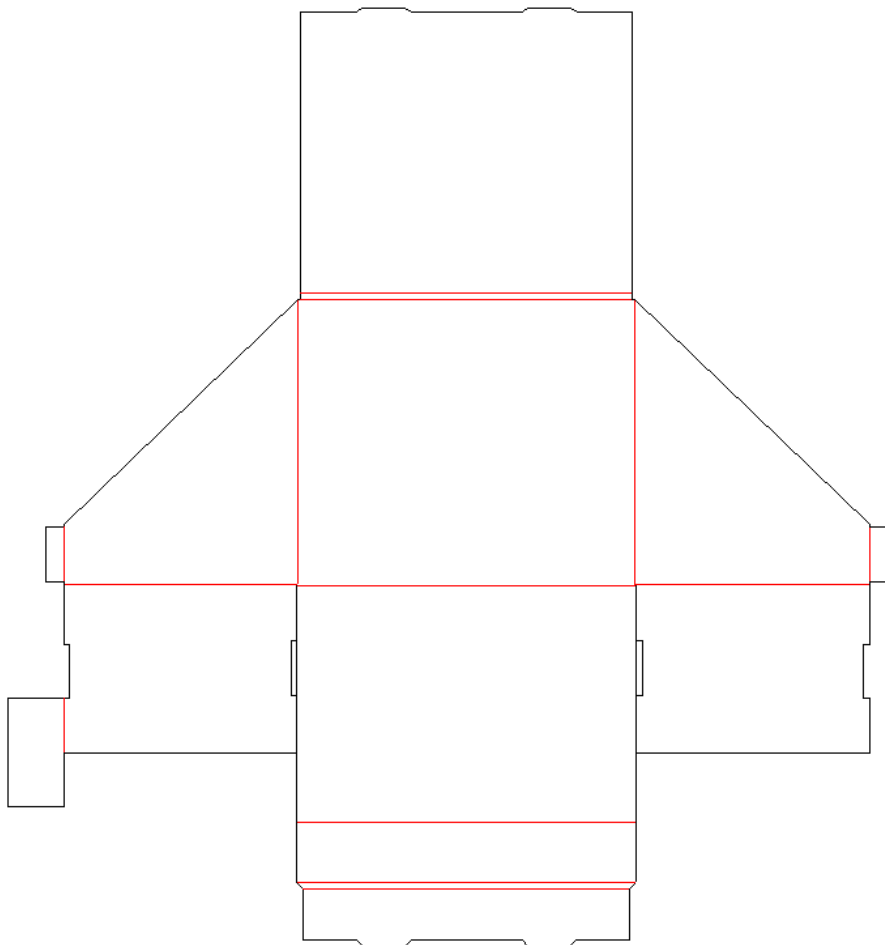


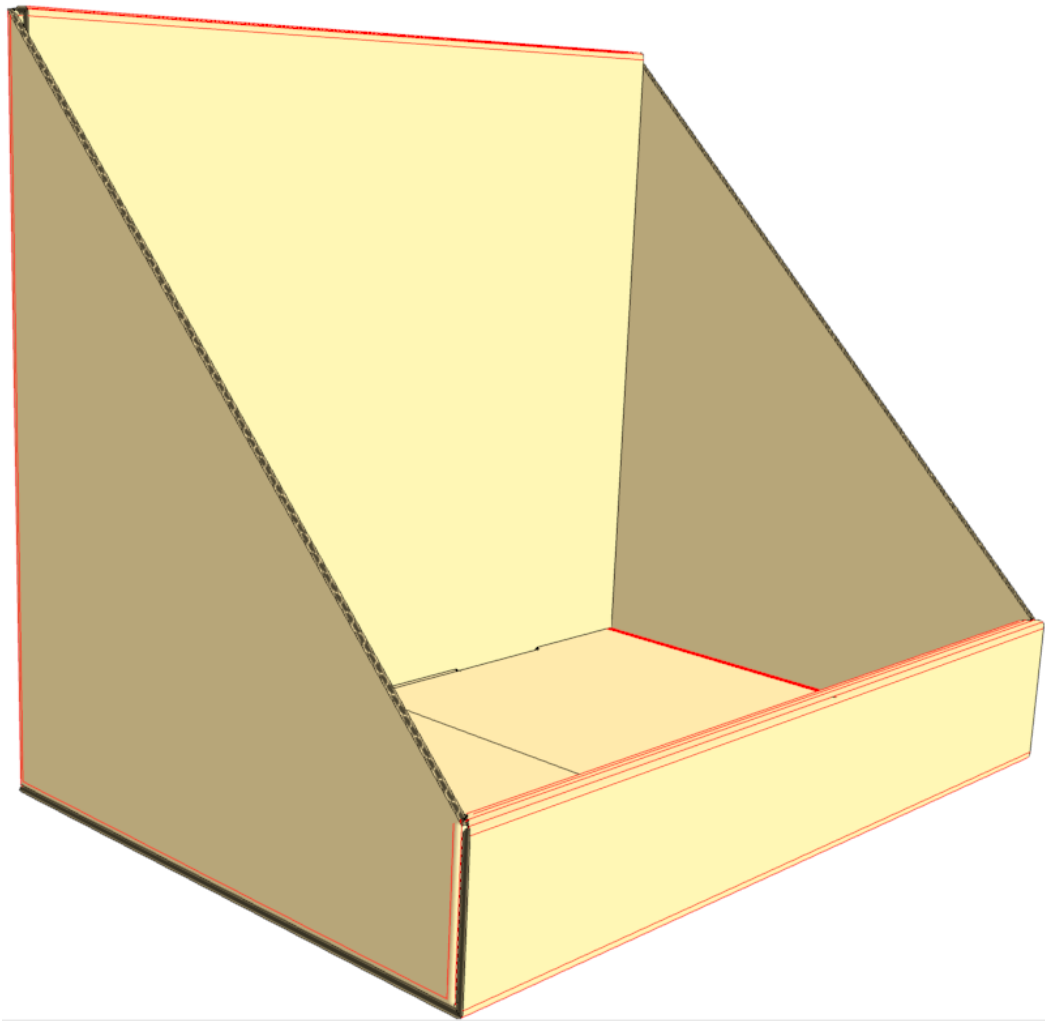
SS SNG Back 1VS



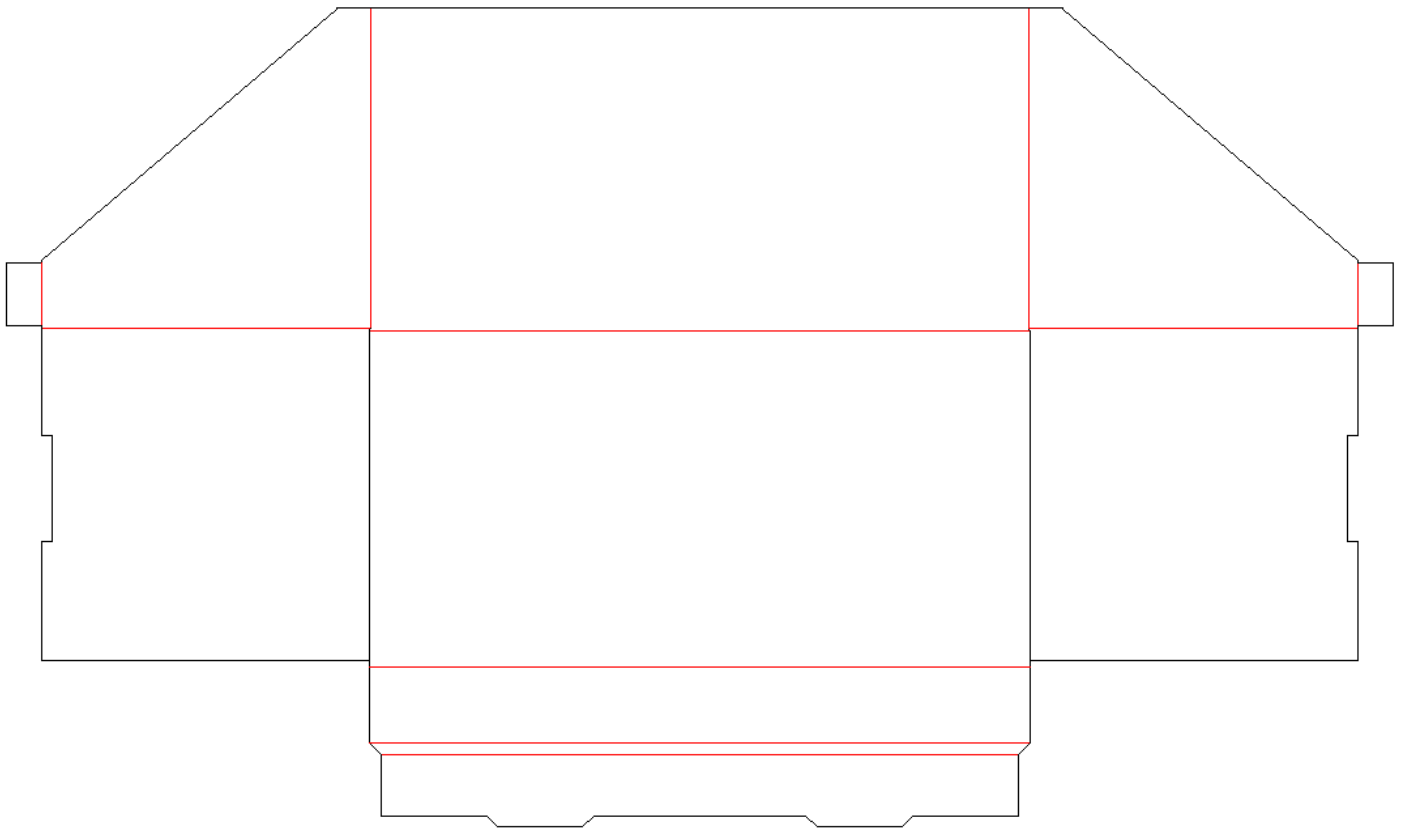


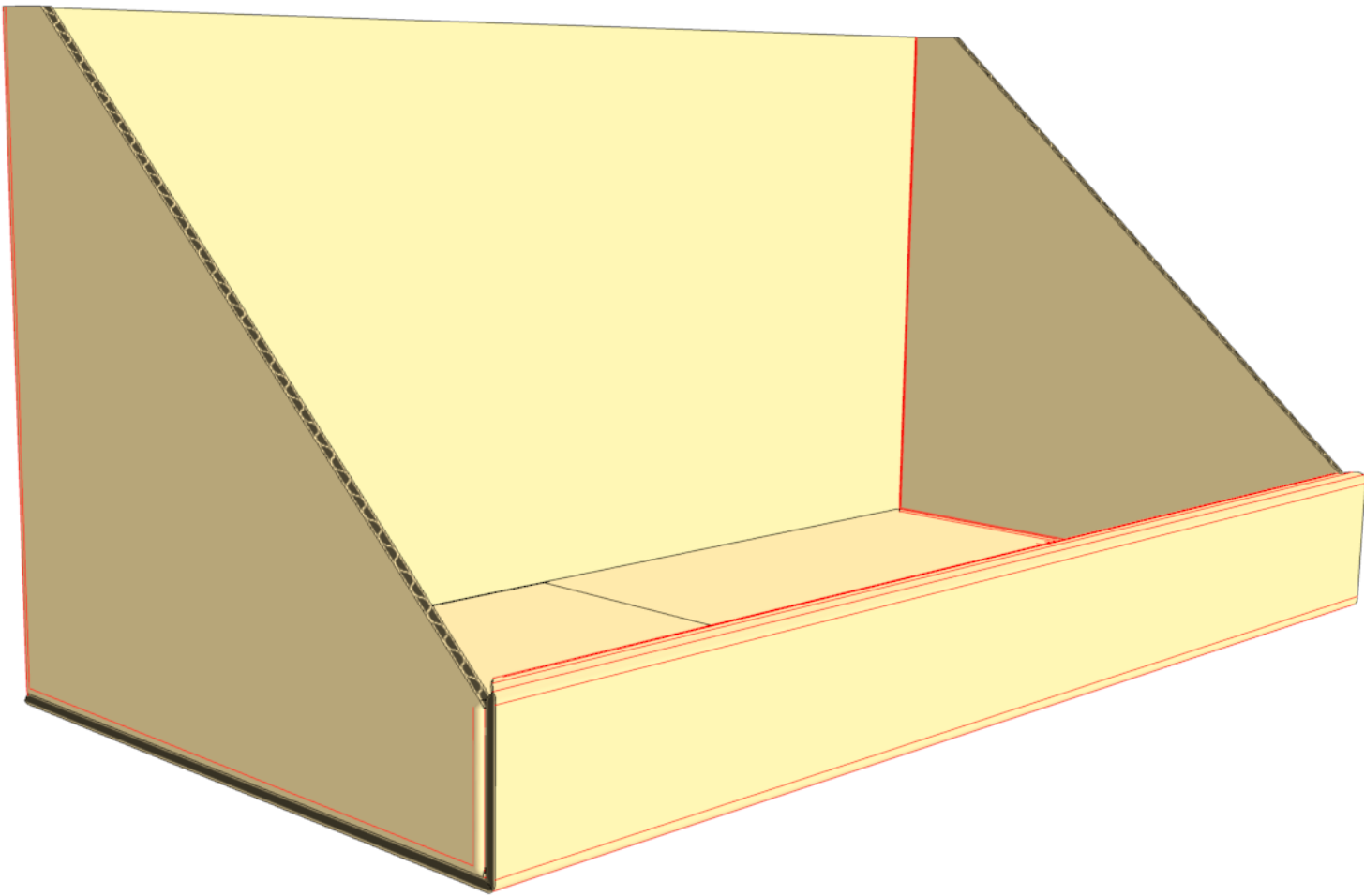
SS Tray Double BTM



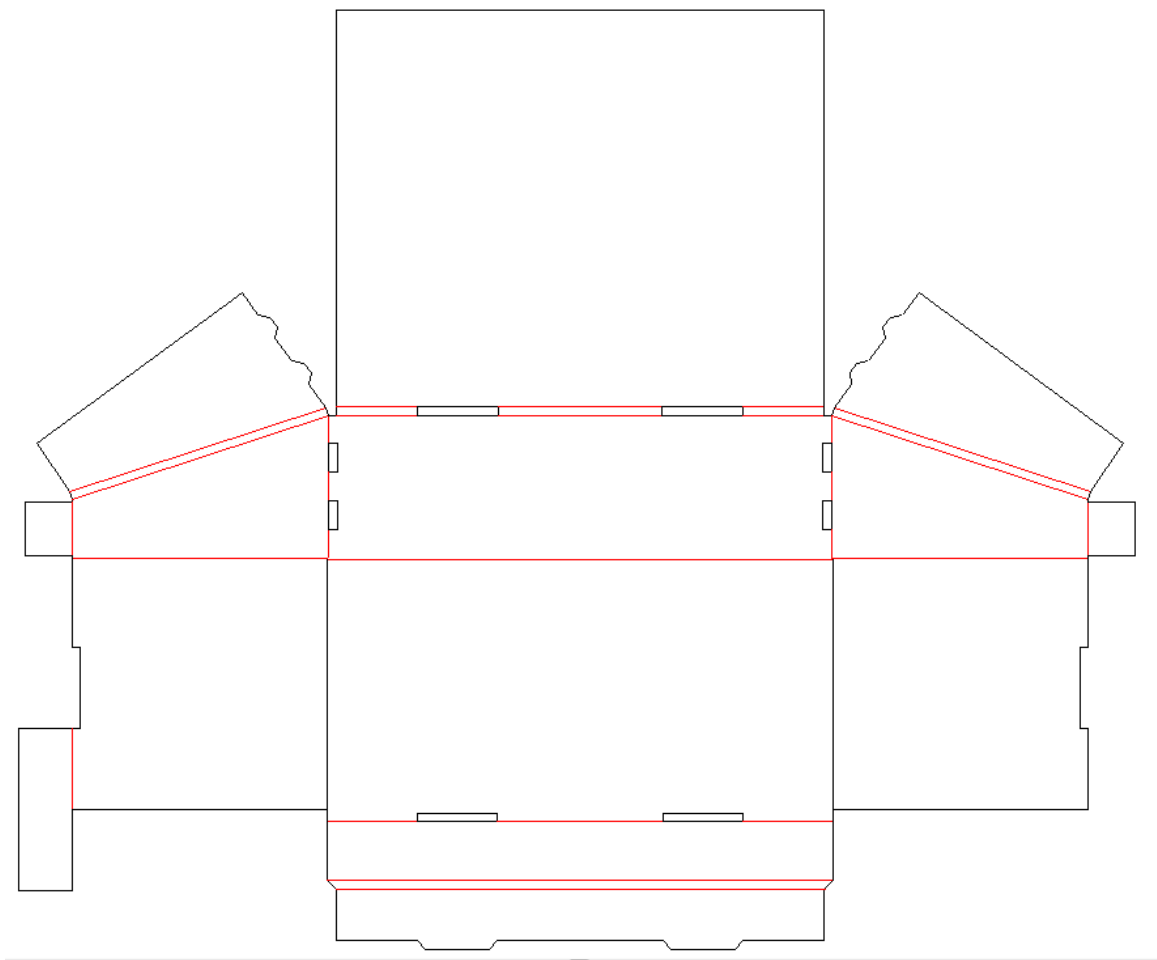


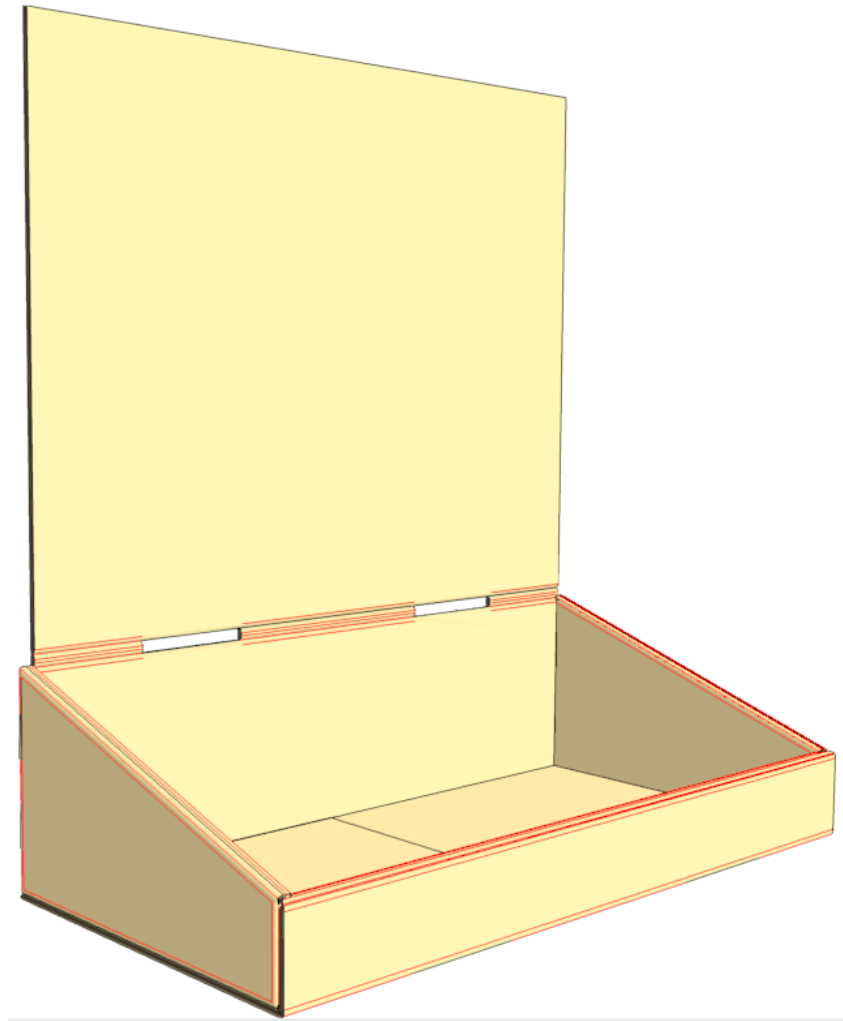
SS Tray No Back Double BTM



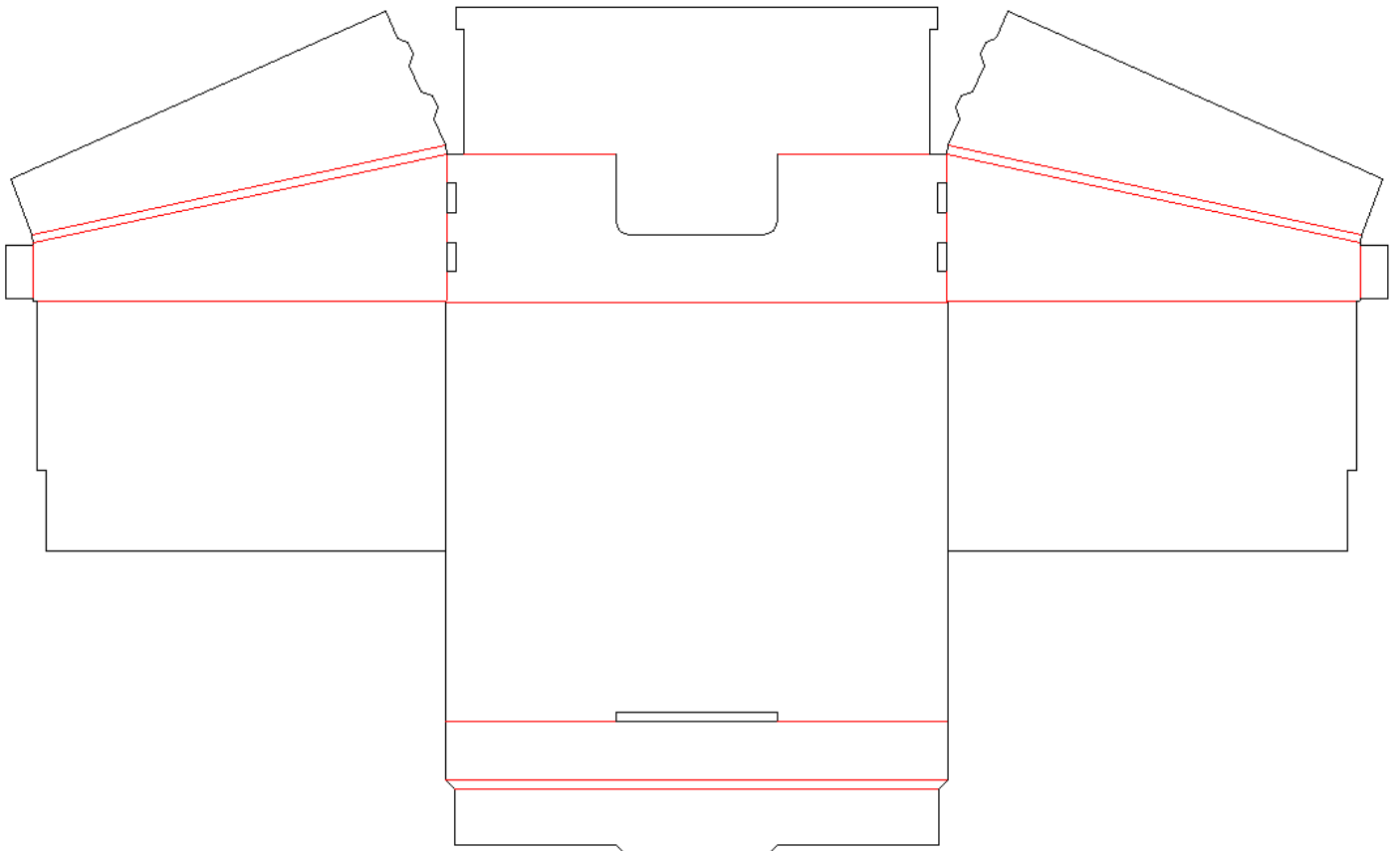


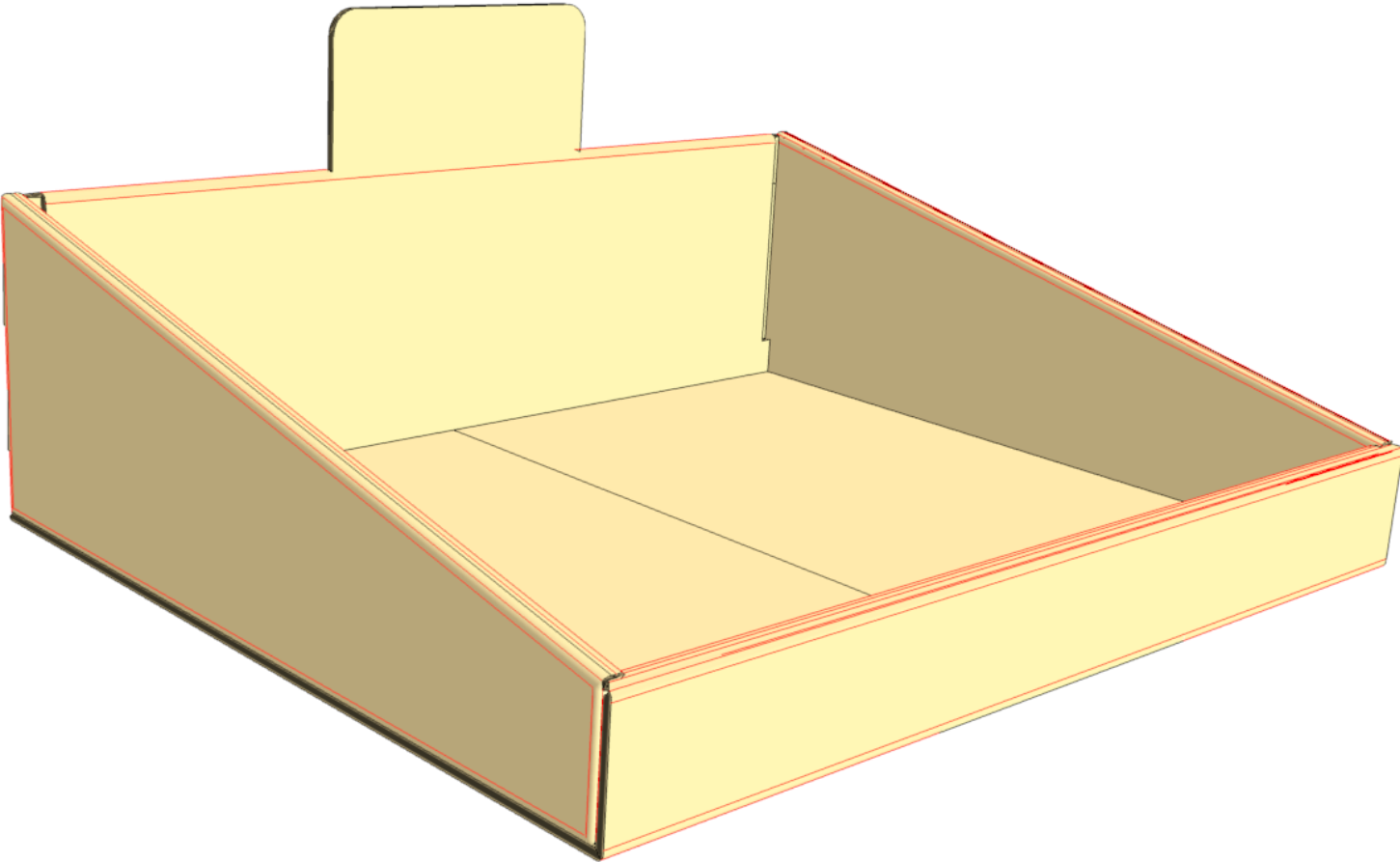
SS Tray Triple BTM



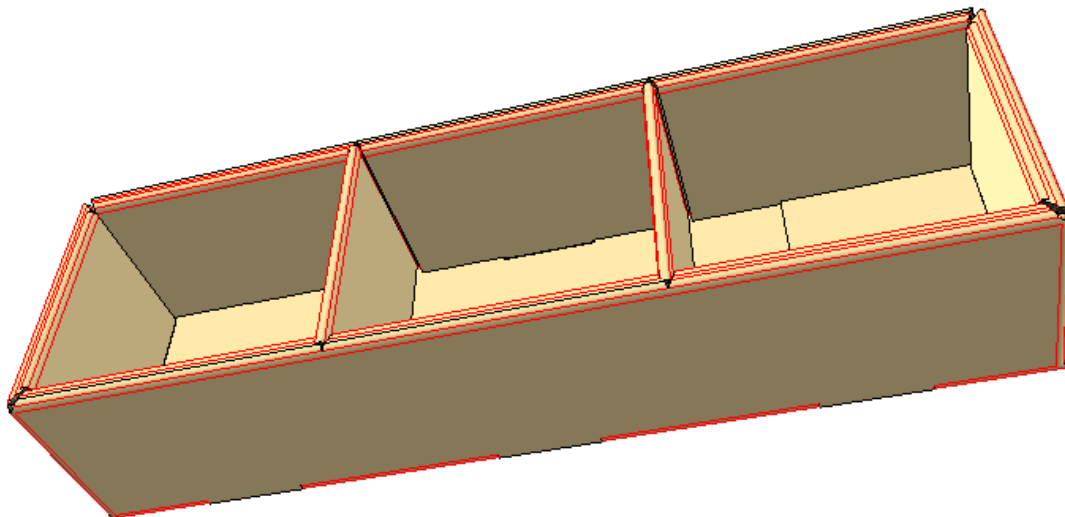
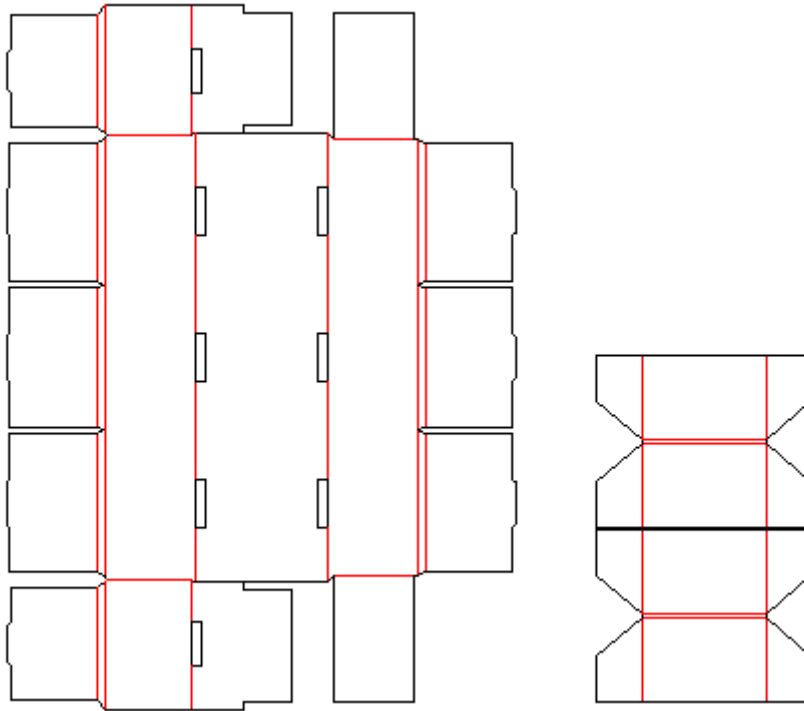


SS Tray W Header



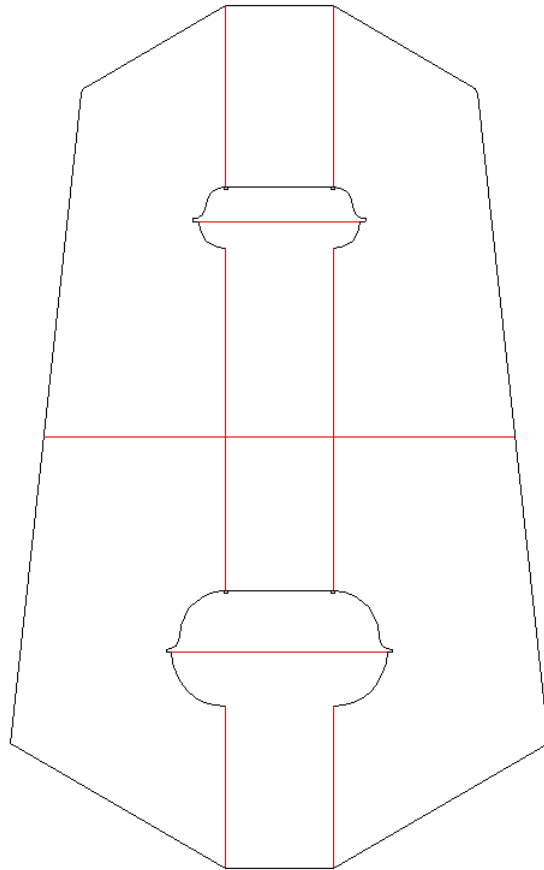


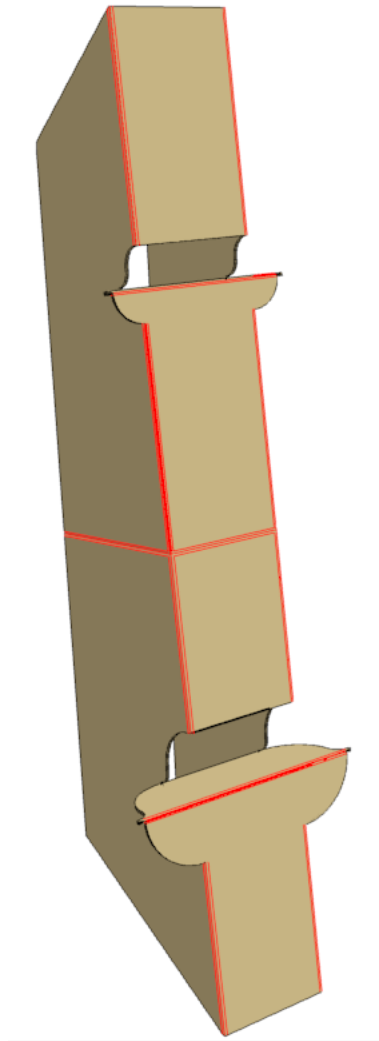
Tray with Divider



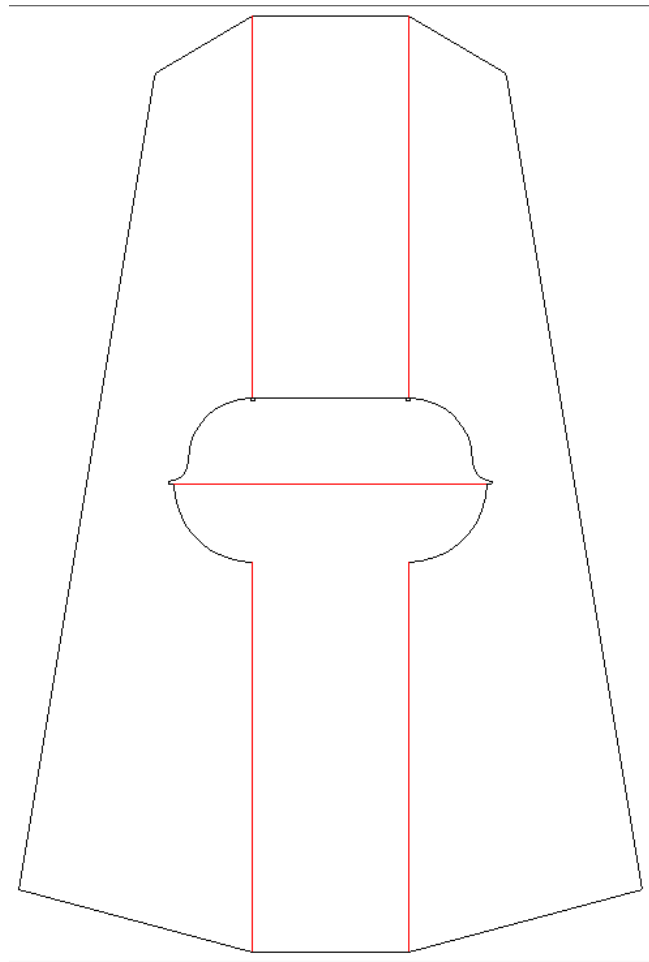
Easels

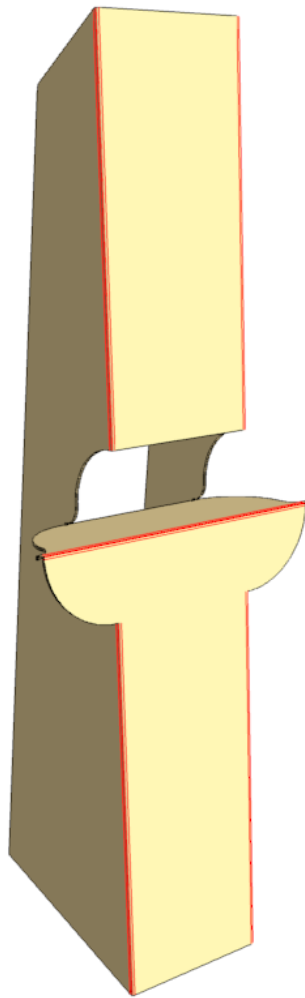
Double Wing Easel



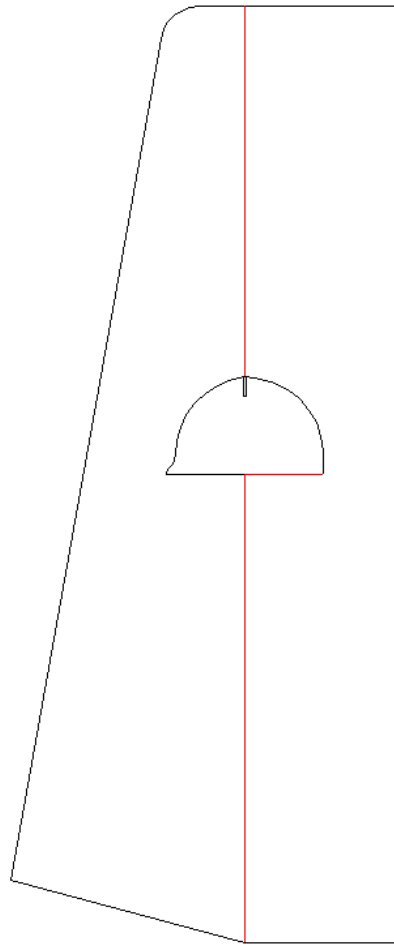


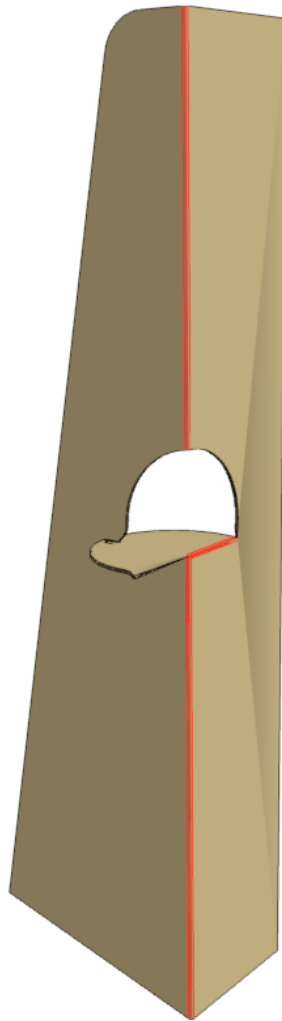
Double Wing Easel Small





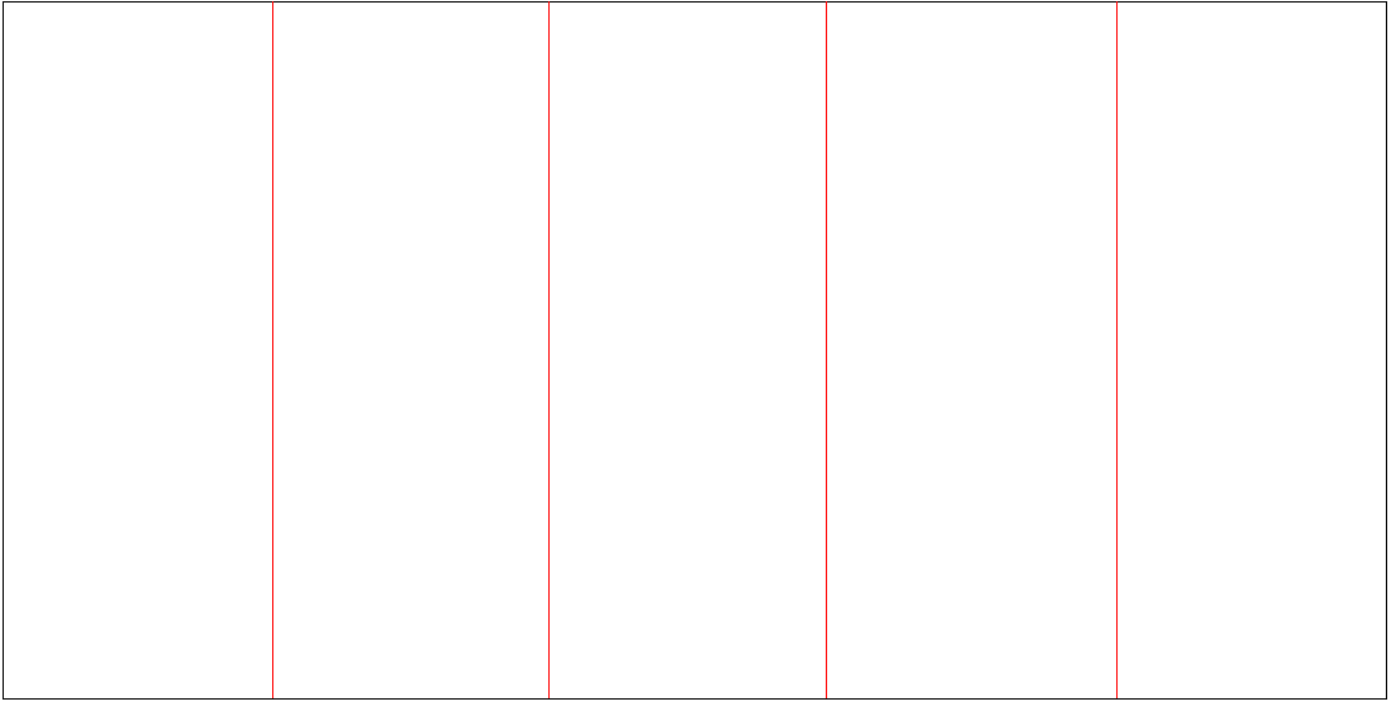
Single Wing Easel

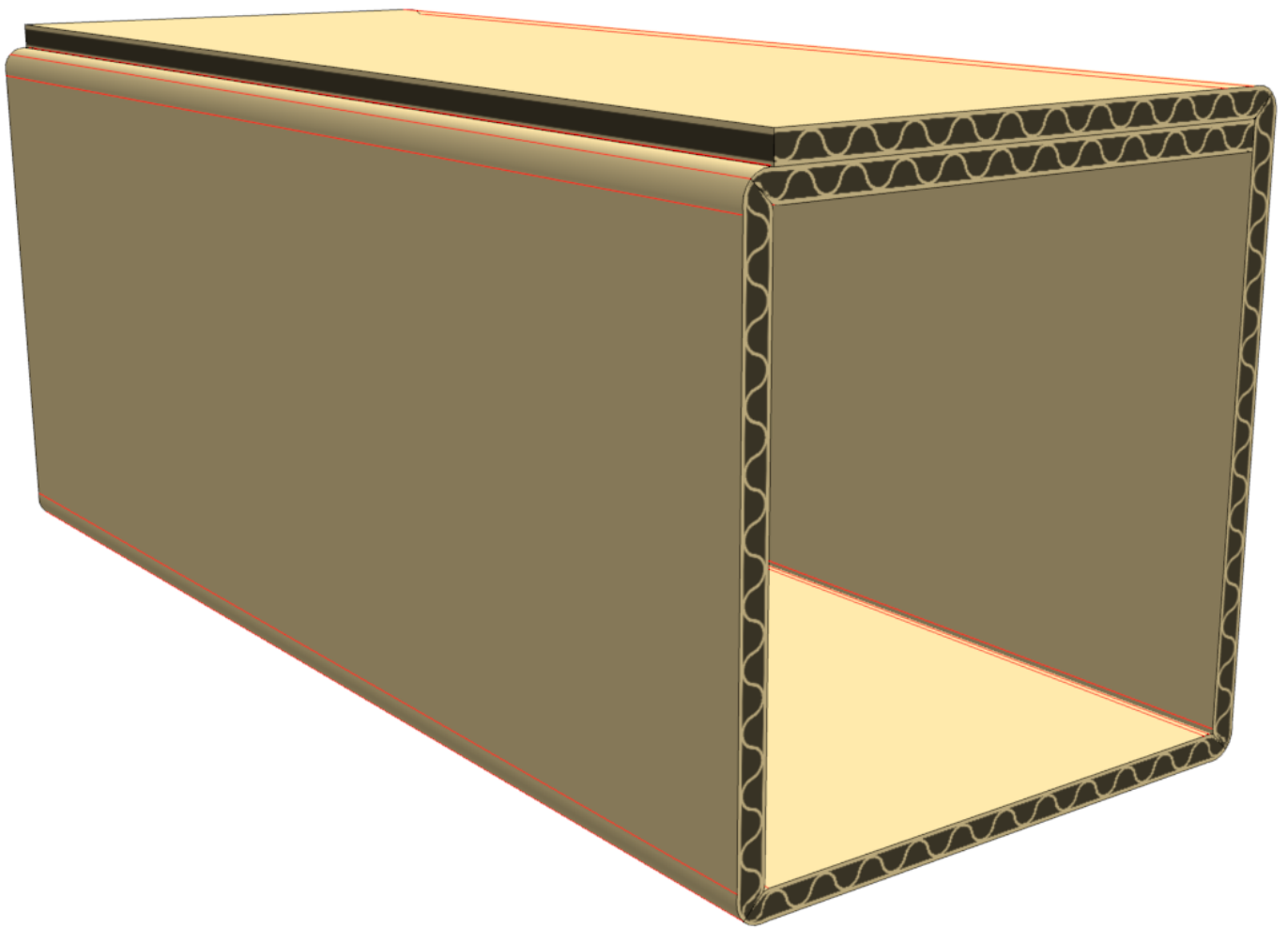




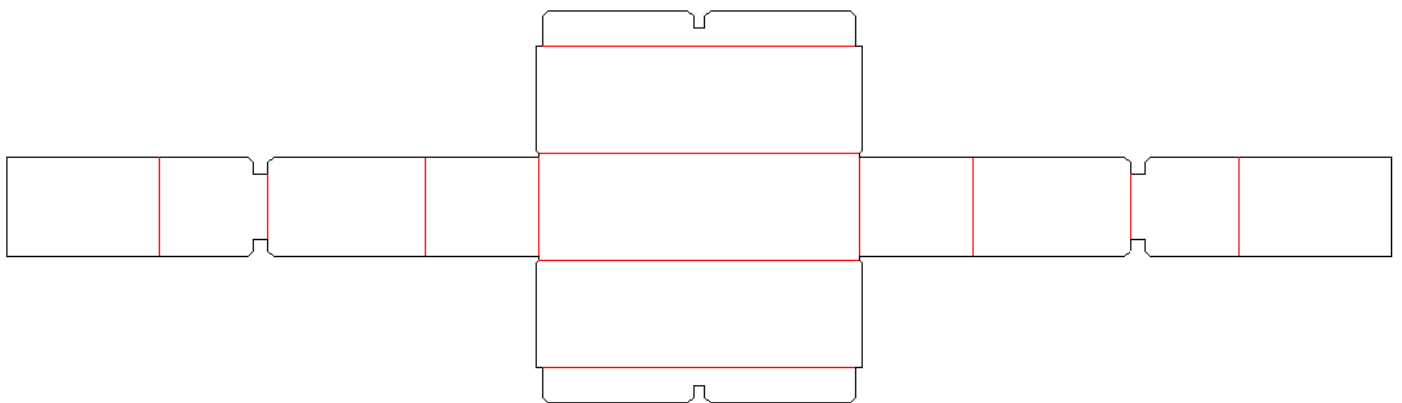
Fillers

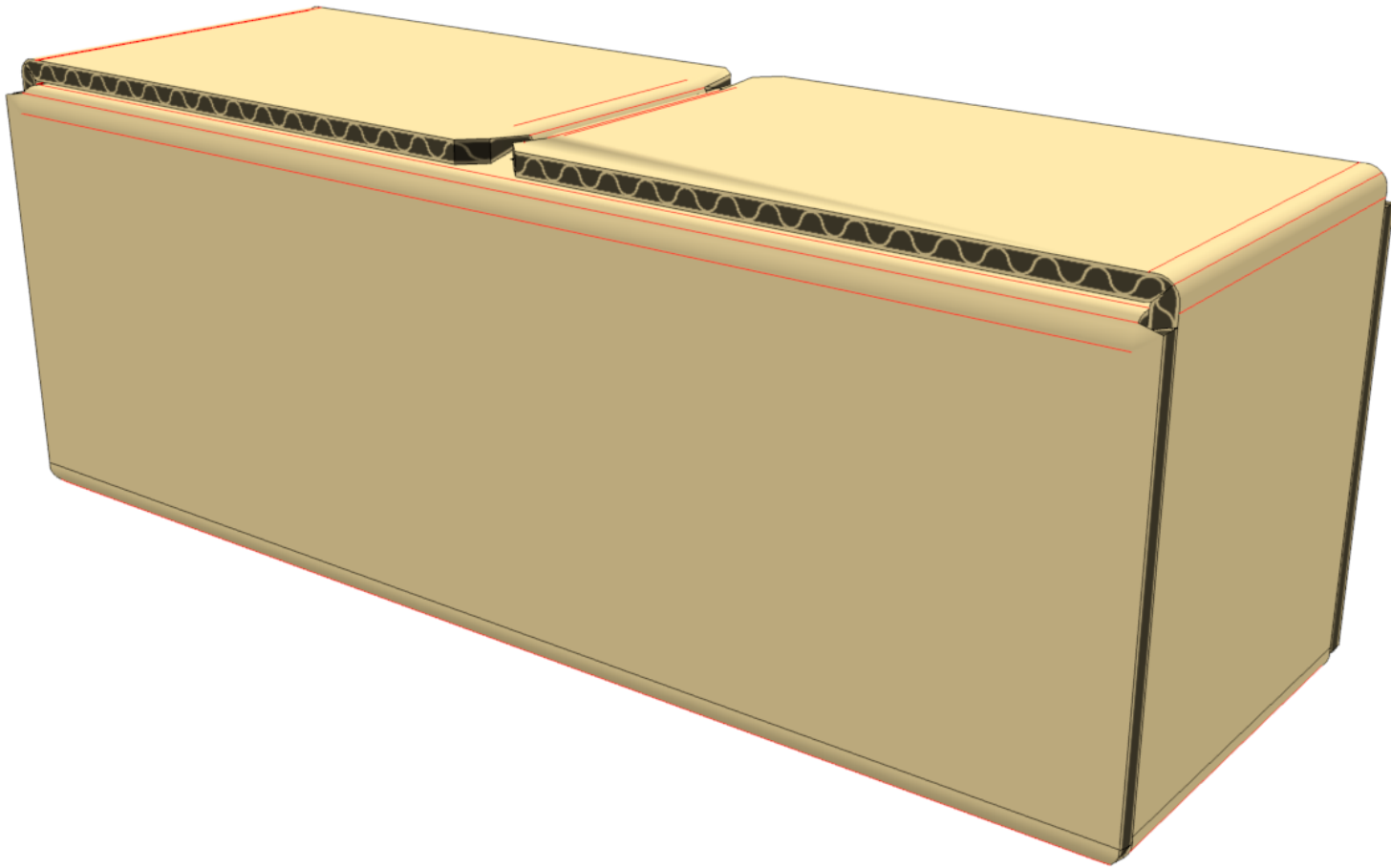
5 Panel Roll





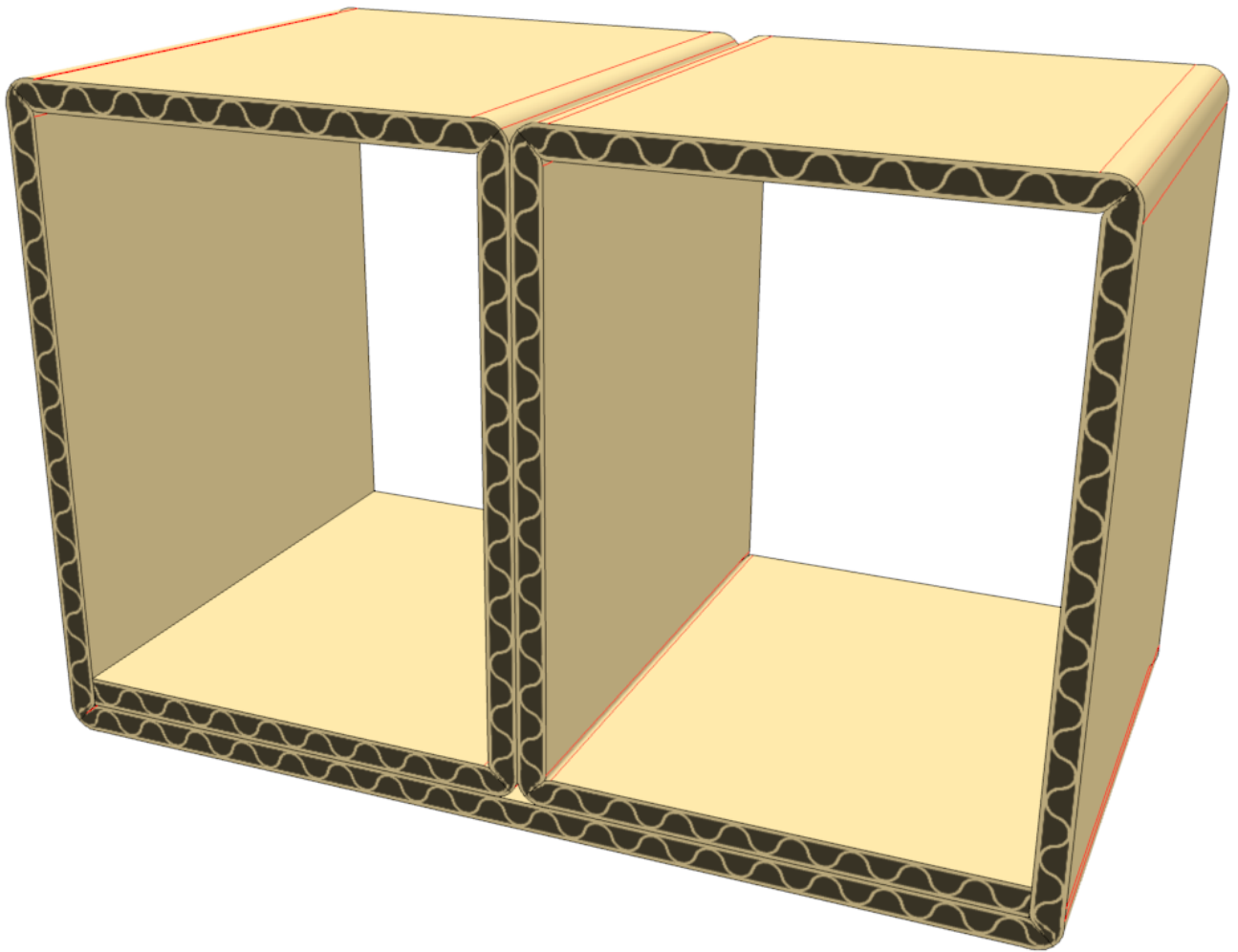
9 Panel Fill



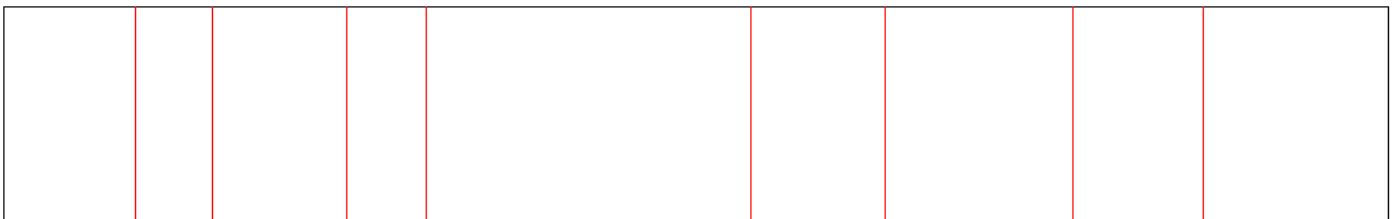


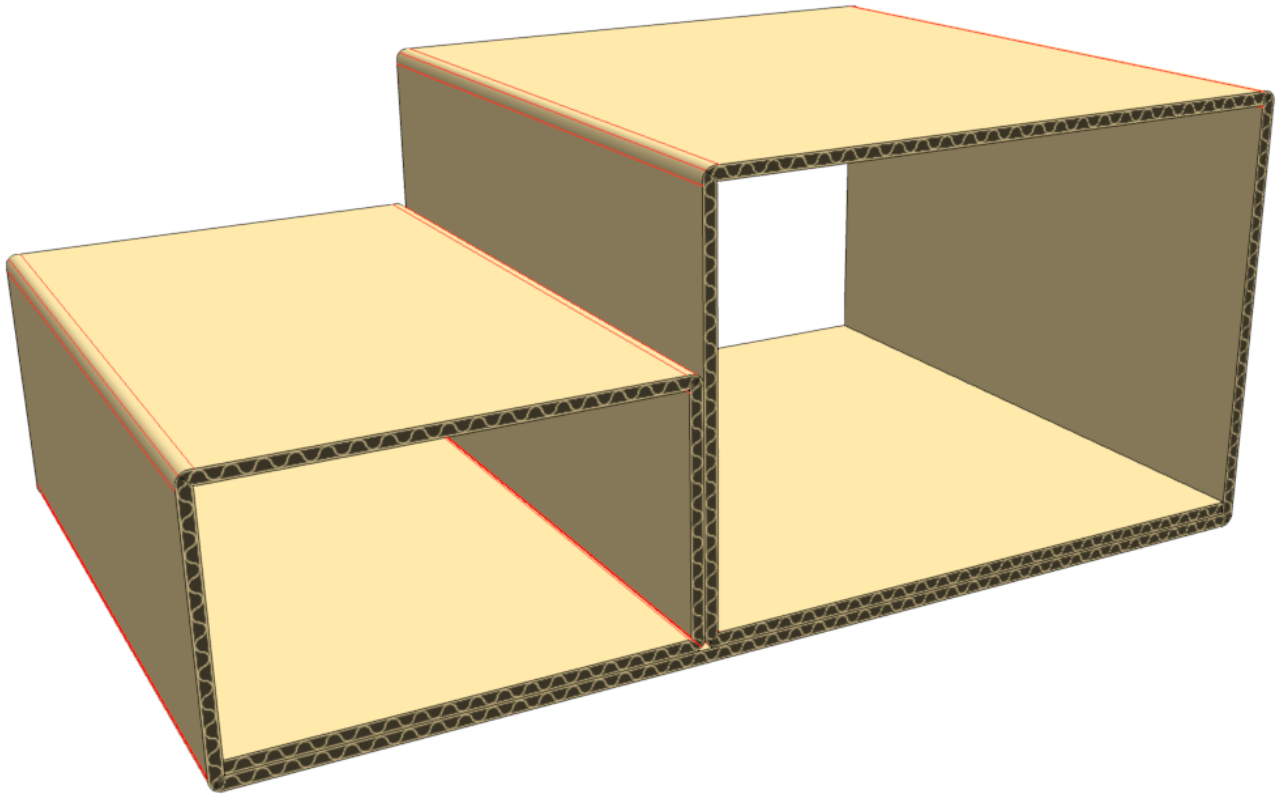
9 Panel Roll



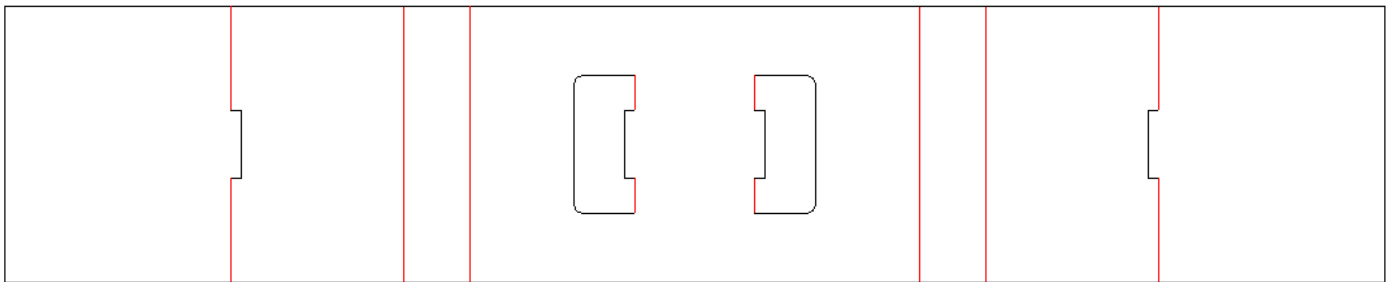


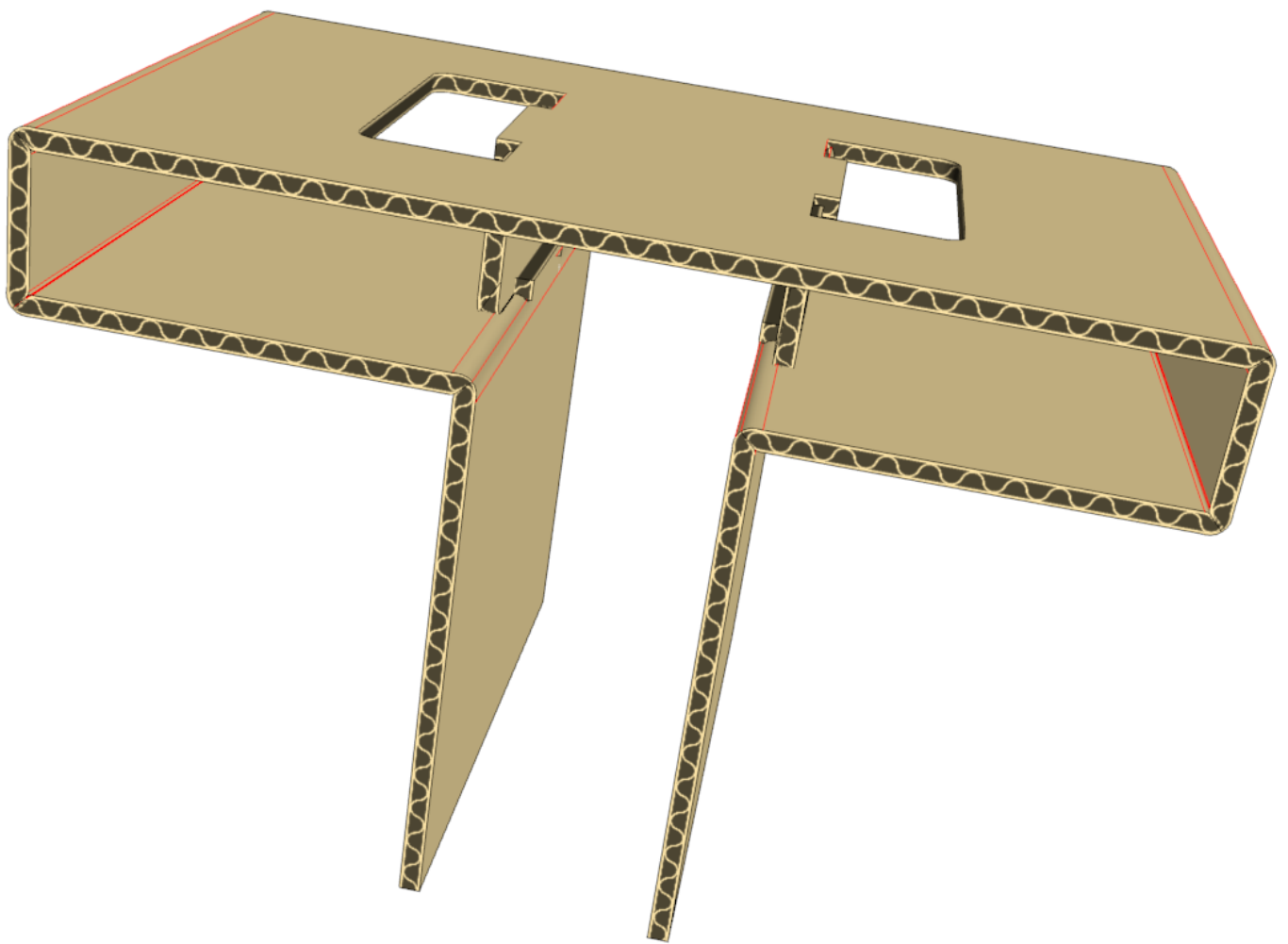
9 Panel unev





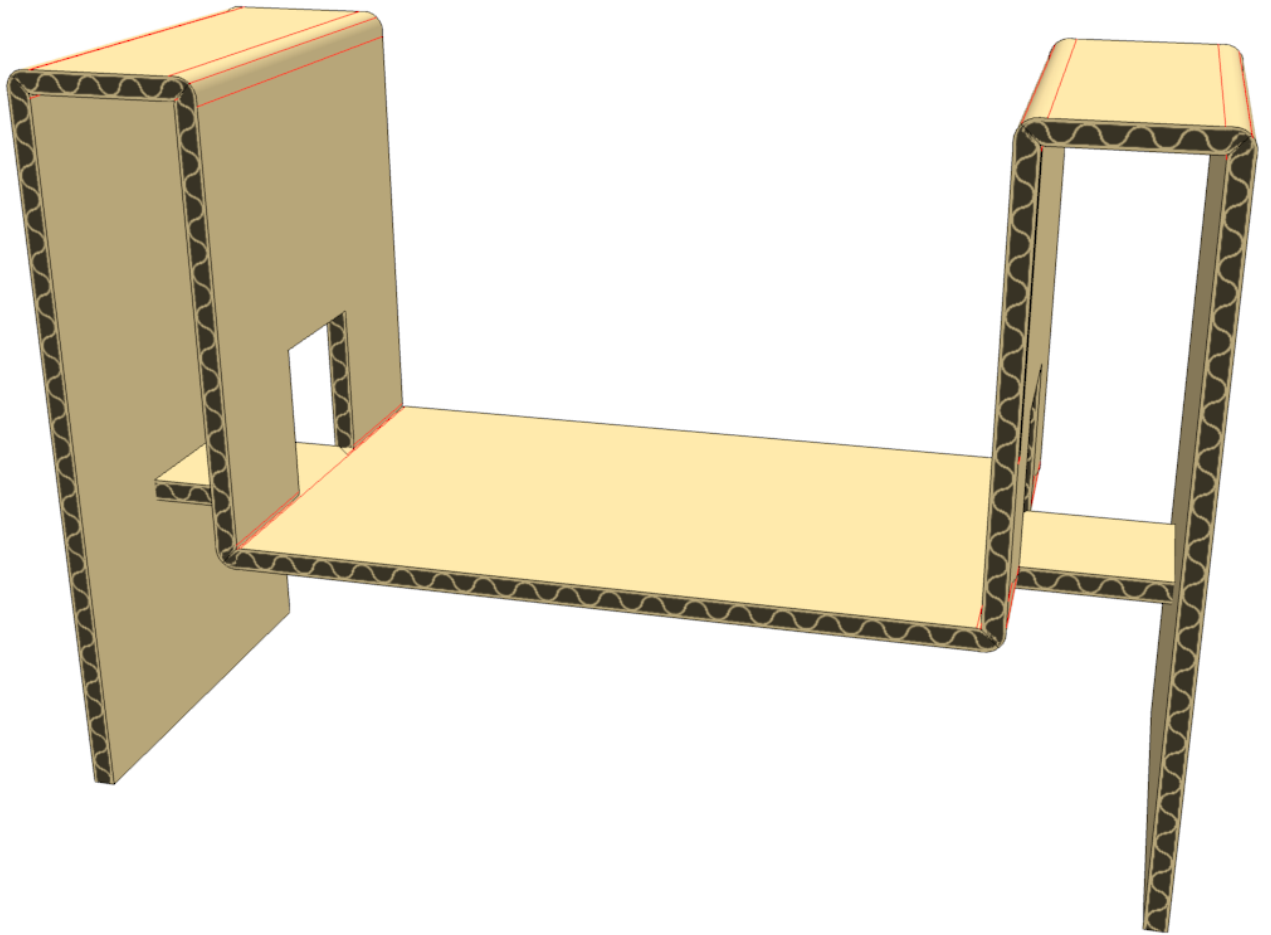
Bowtie





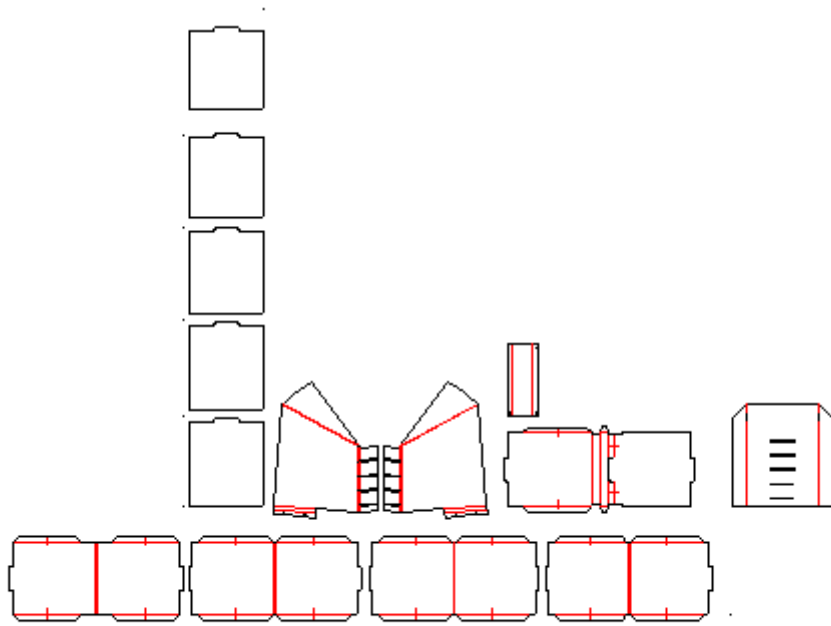
Patryfl



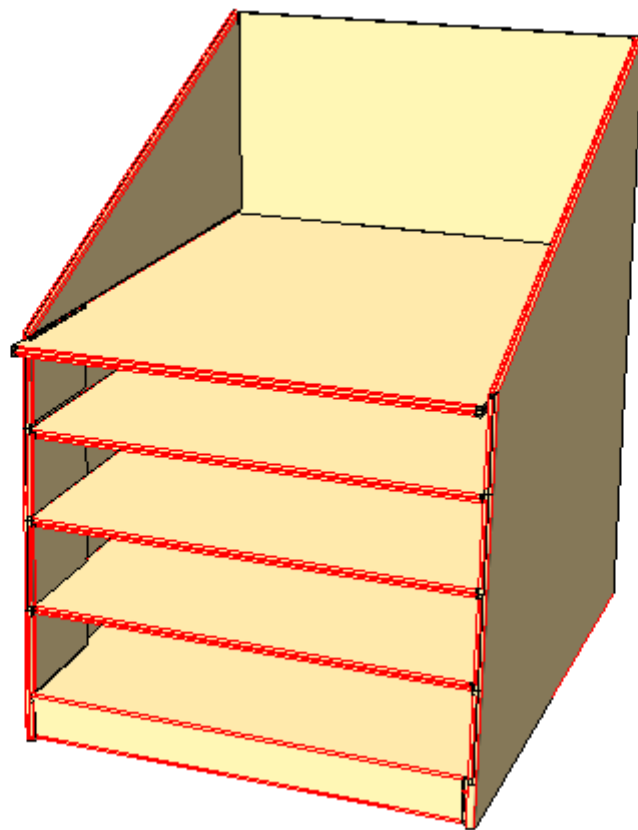


Standalone Displays

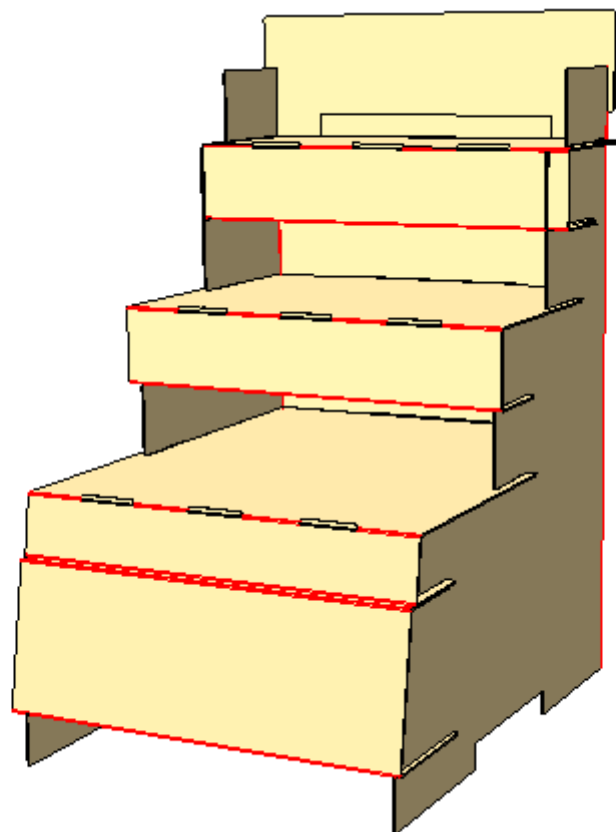
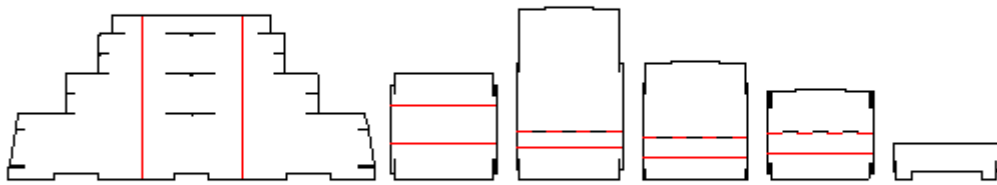
Angular Display with Shelves



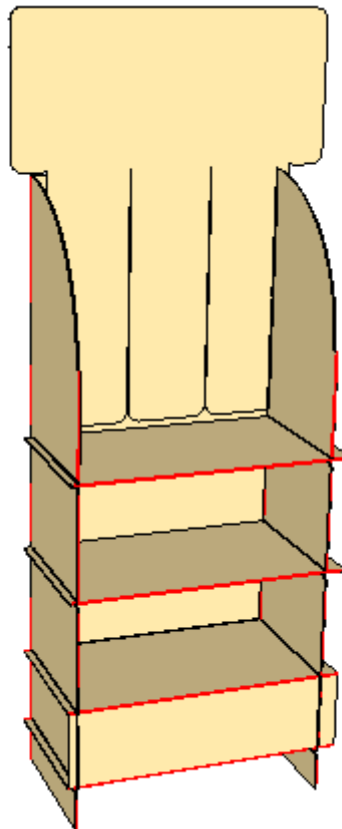
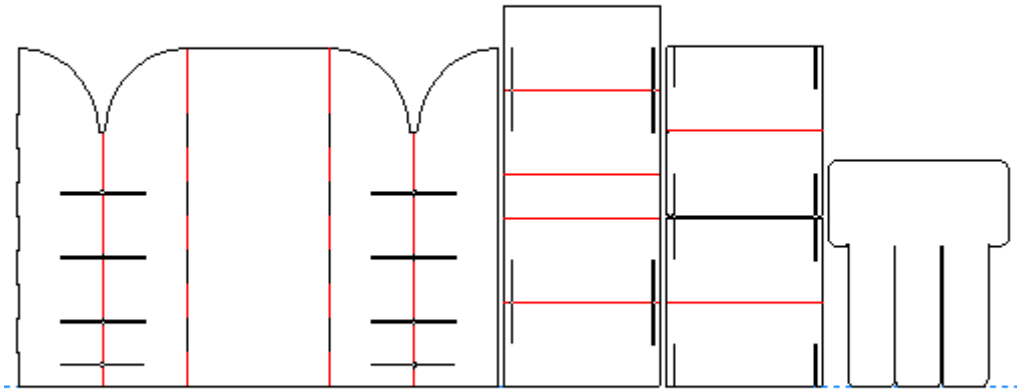
.....



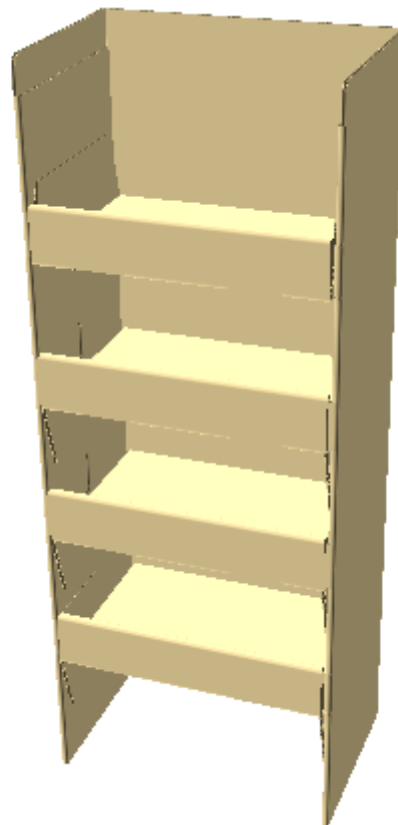
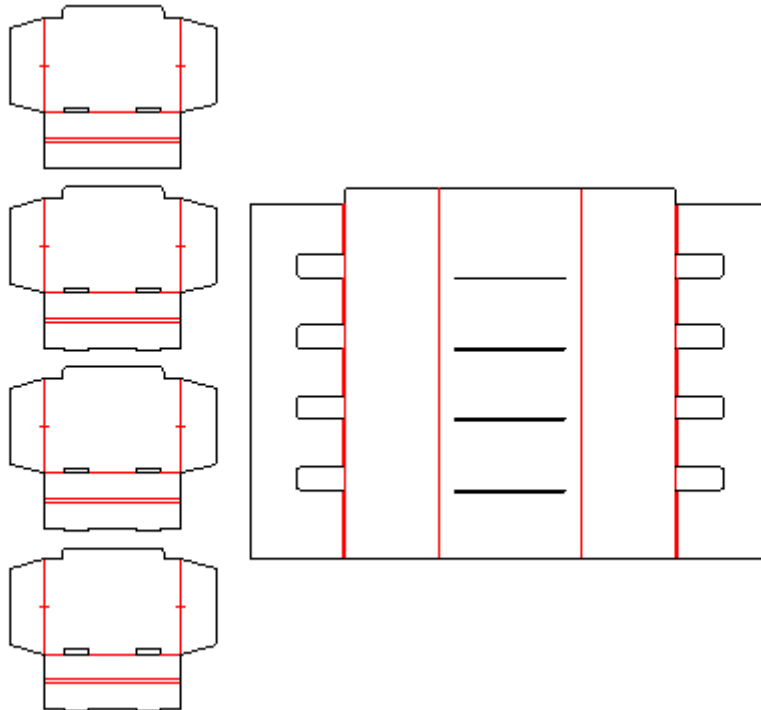
Display Base



Display Stand



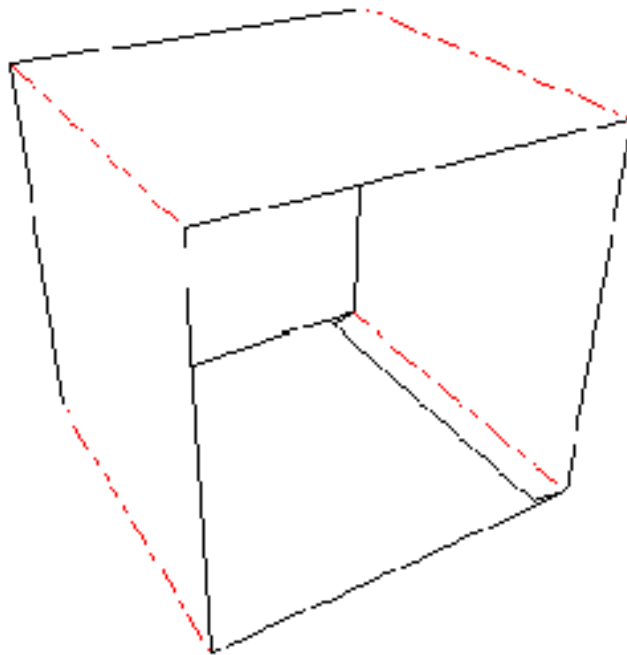
Display Stand with Trays



5. Folding Carton Standards

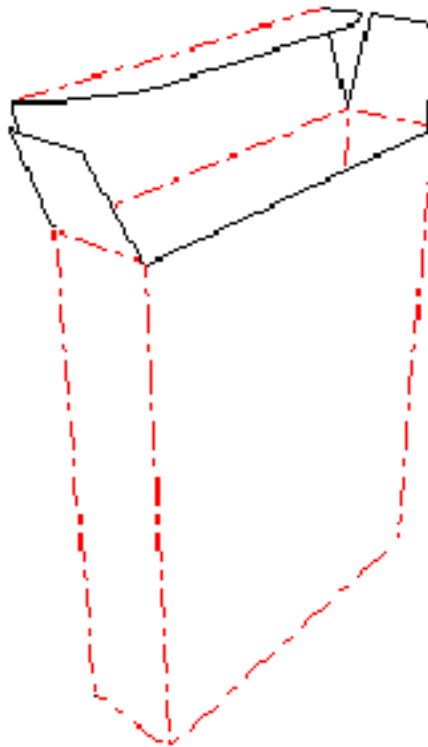
Sleeves

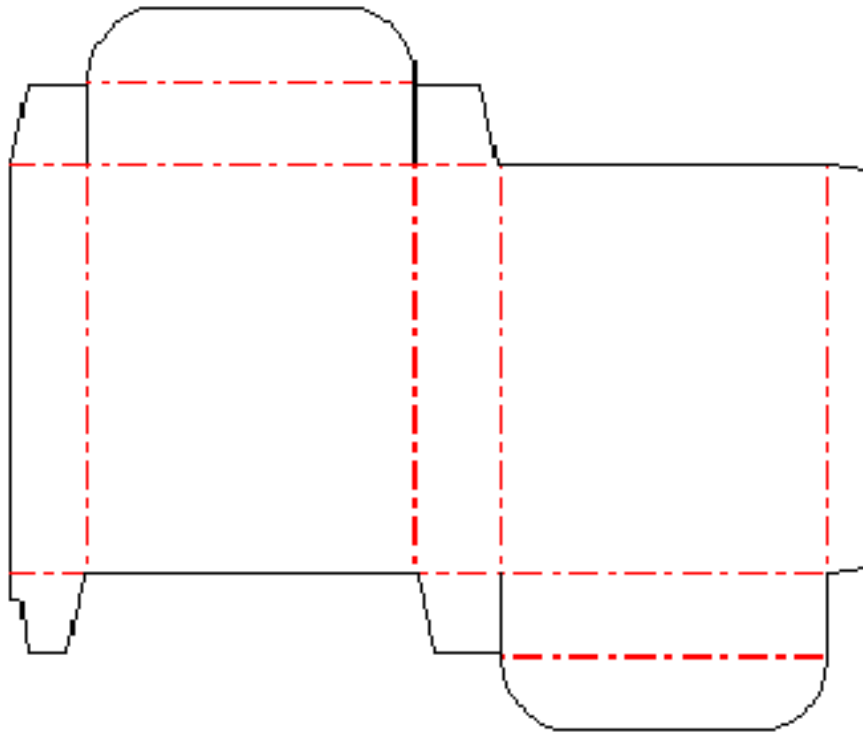
111.01.ARD - Standard sleeve



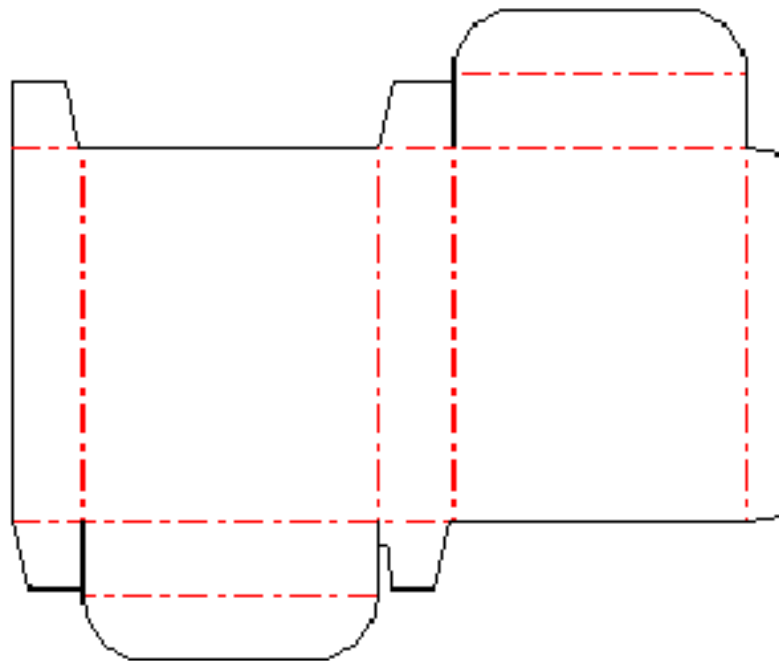
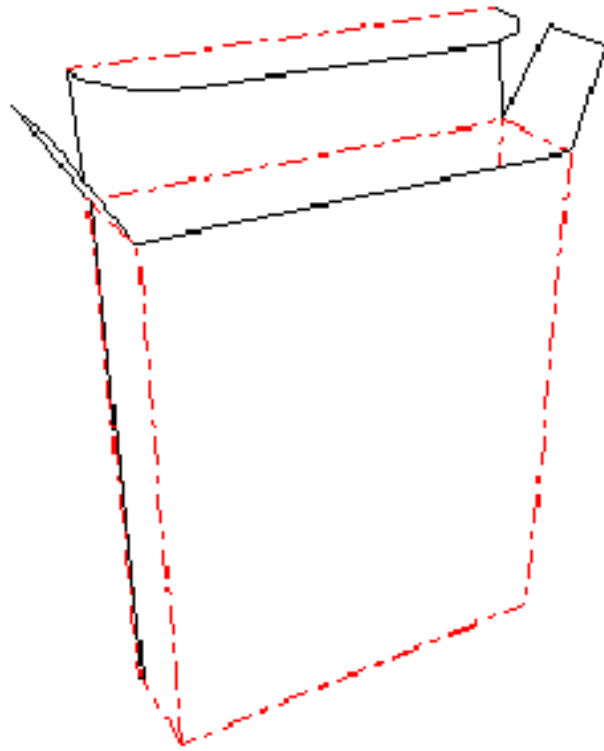
Friction tuck tops/bottoms

122.05.ARD - Reverse top tuck on 2nd

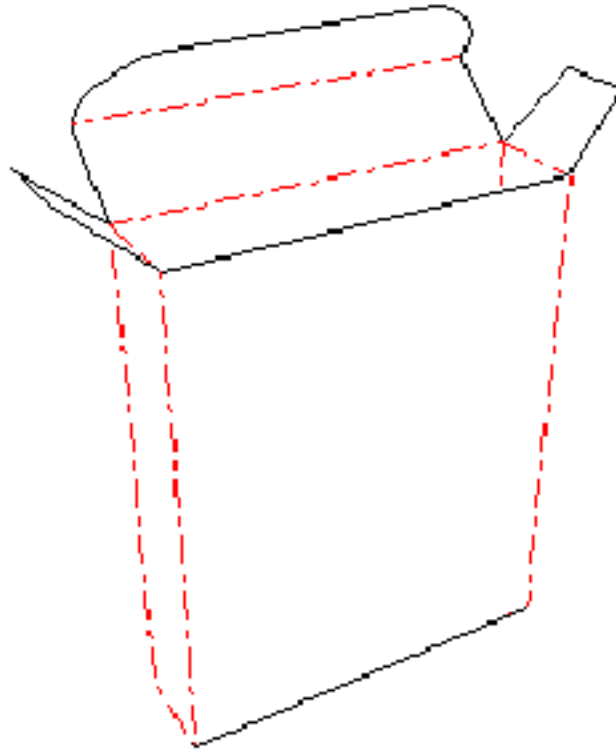


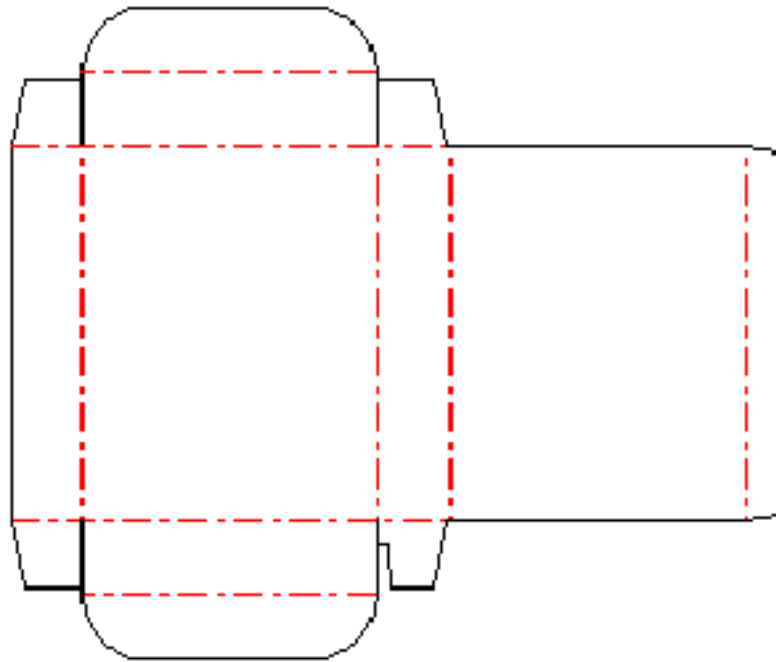


121.05.ARD - Reverse top tuck on 4th

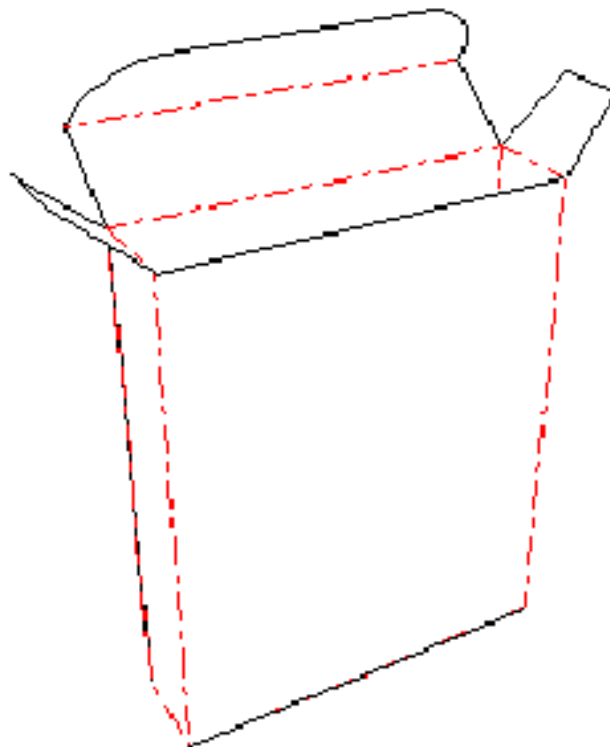


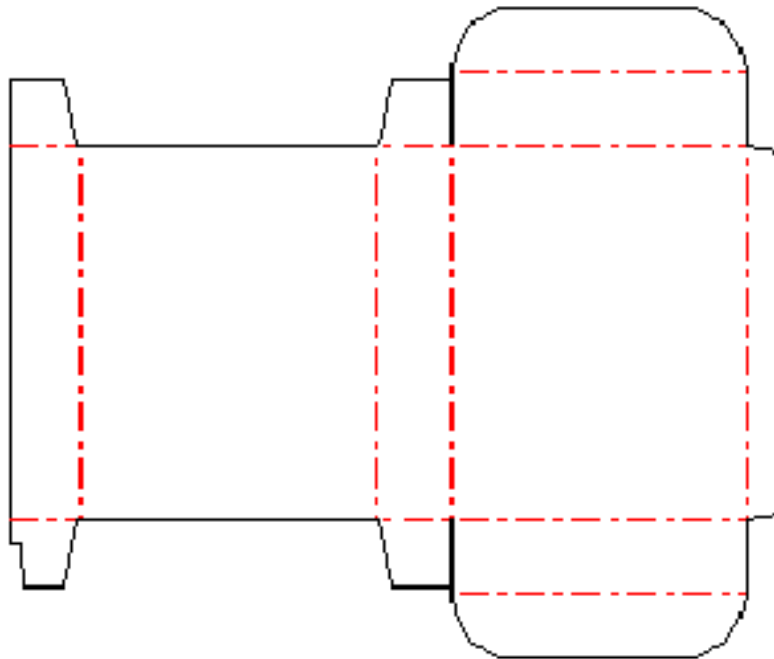
123.05.ARD - Straight tuck top on 2nd





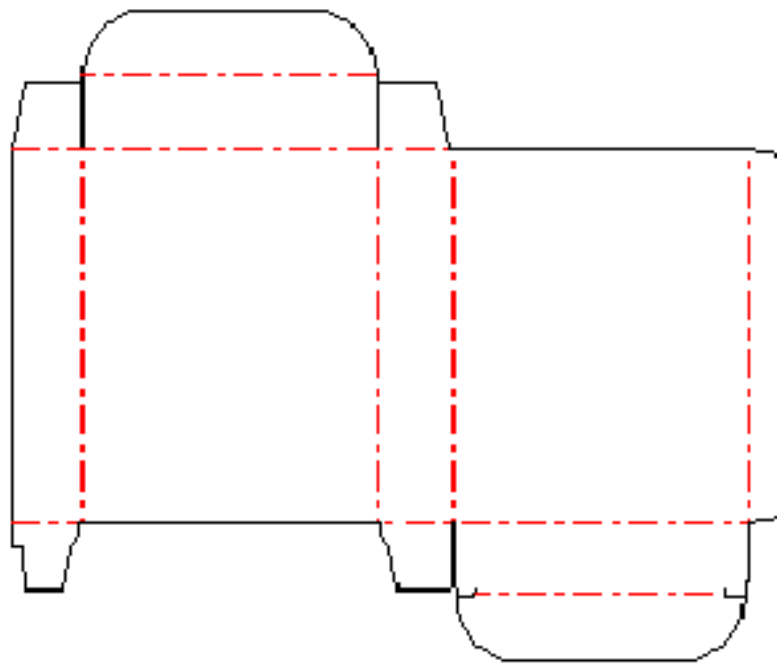
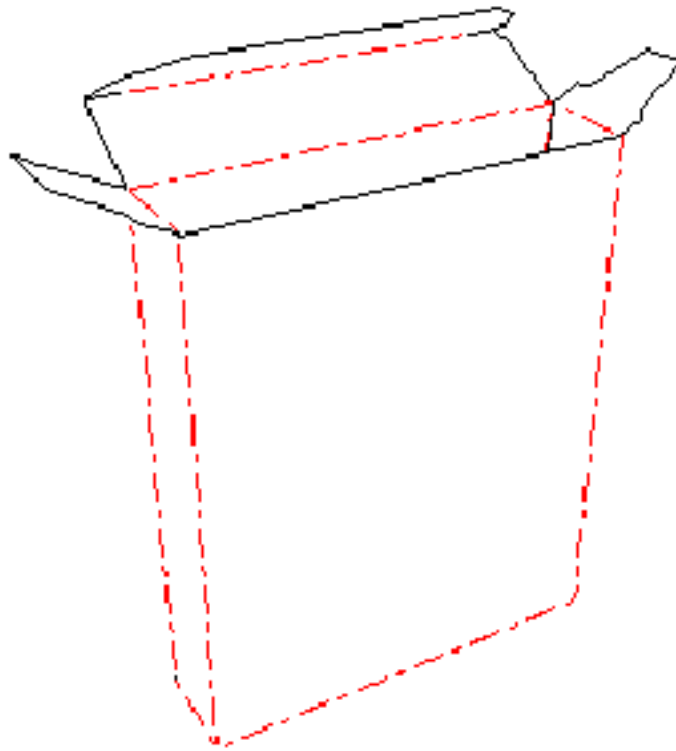
124.05.ARD - Straight tuck top on 4th

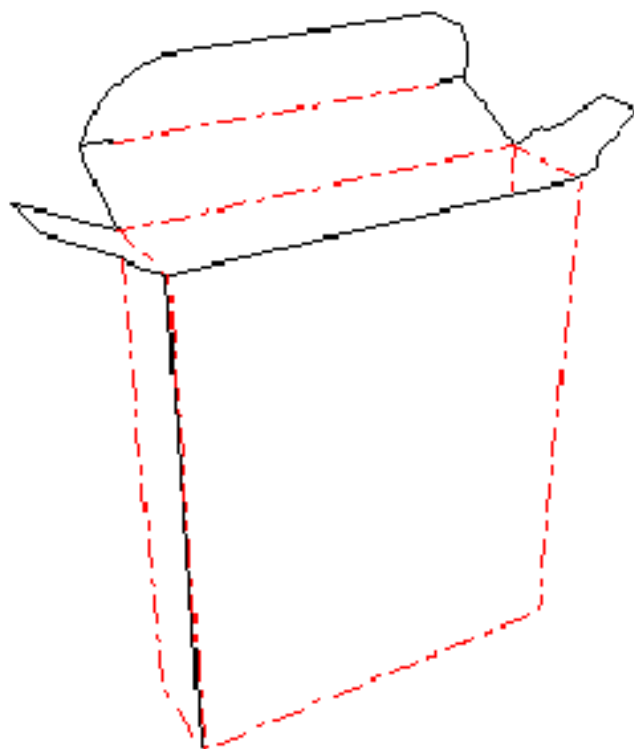


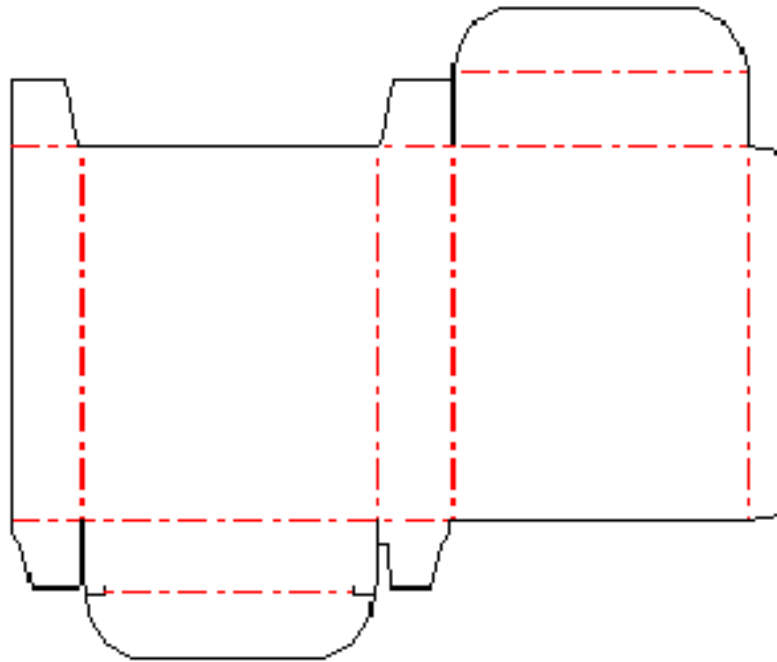


Friction Tuck Tops/Unituck bottom

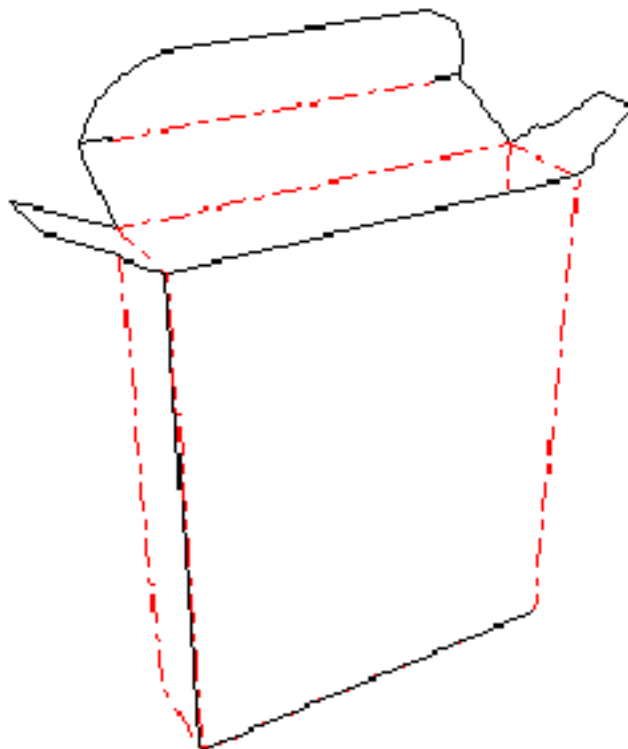
122.01.ARD - Reverse top tuck on 2nd

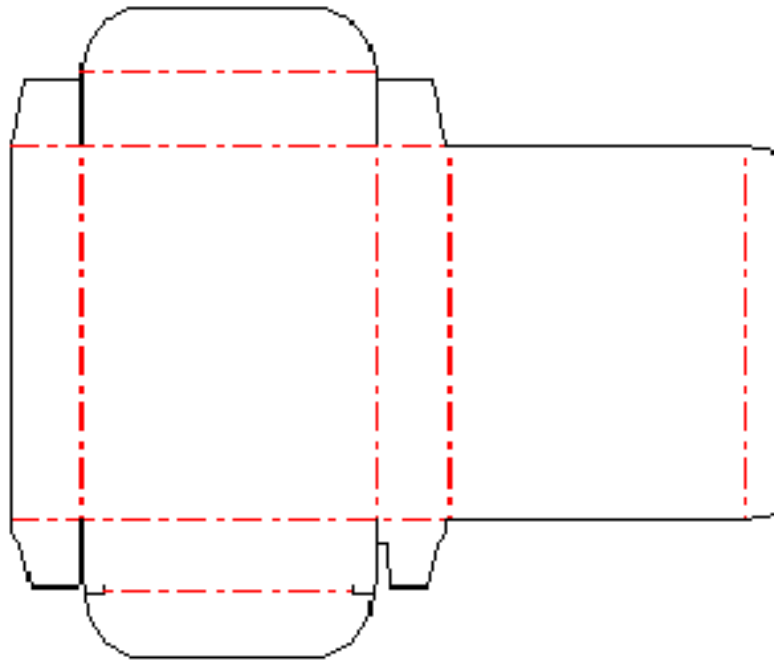


121.01.ARD - Reverse tuck top on 4th

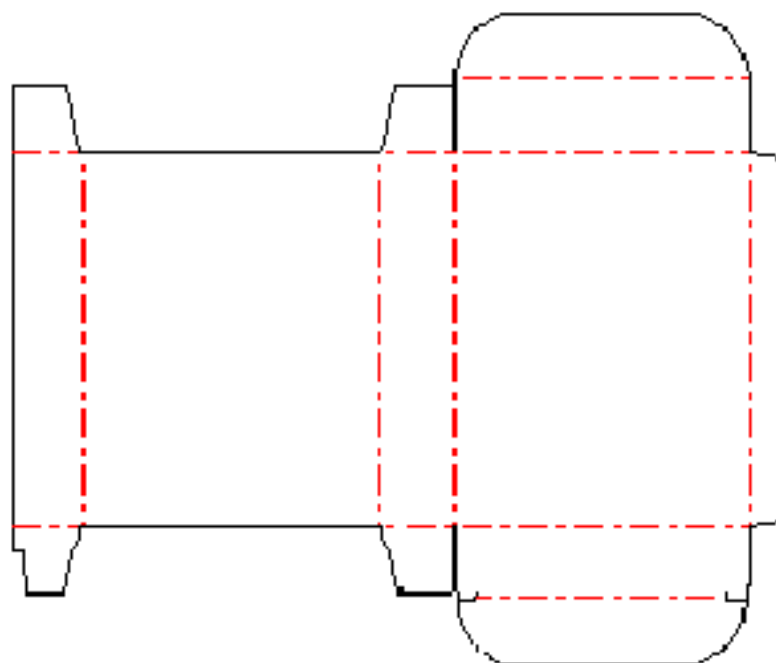
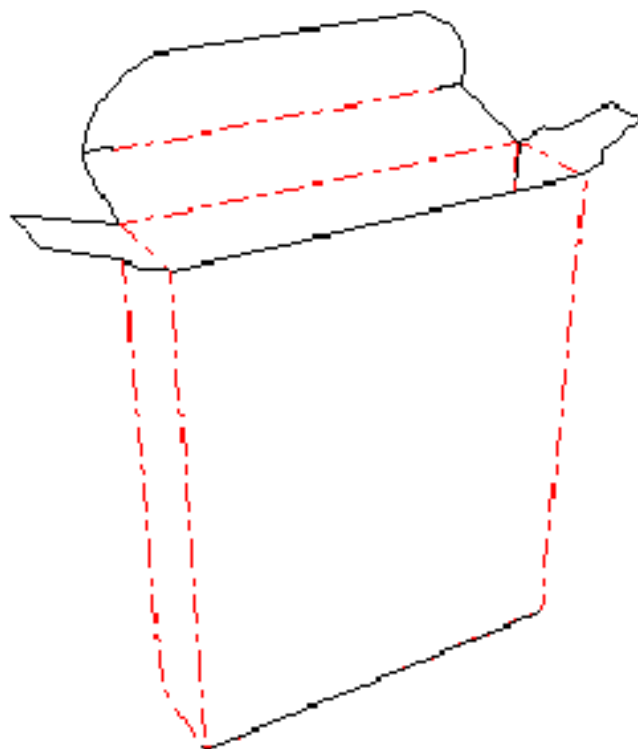


123.01.ARD - Straight tuck top on 2nd



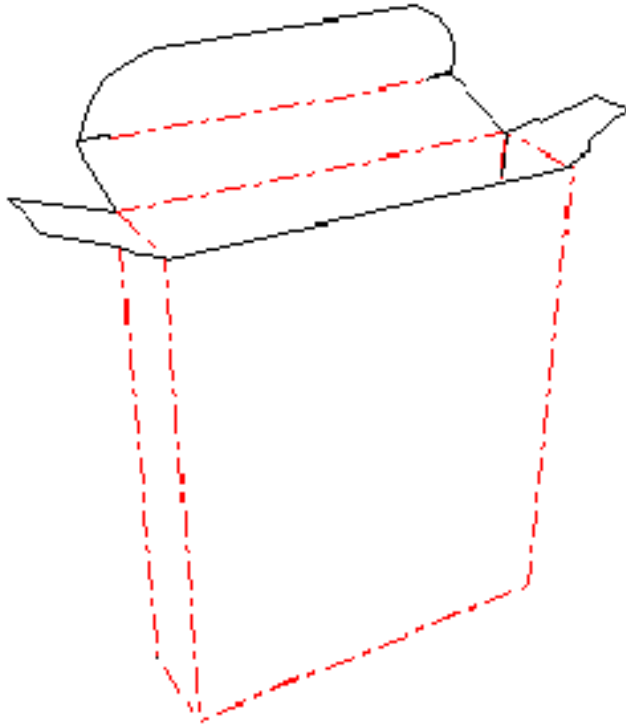


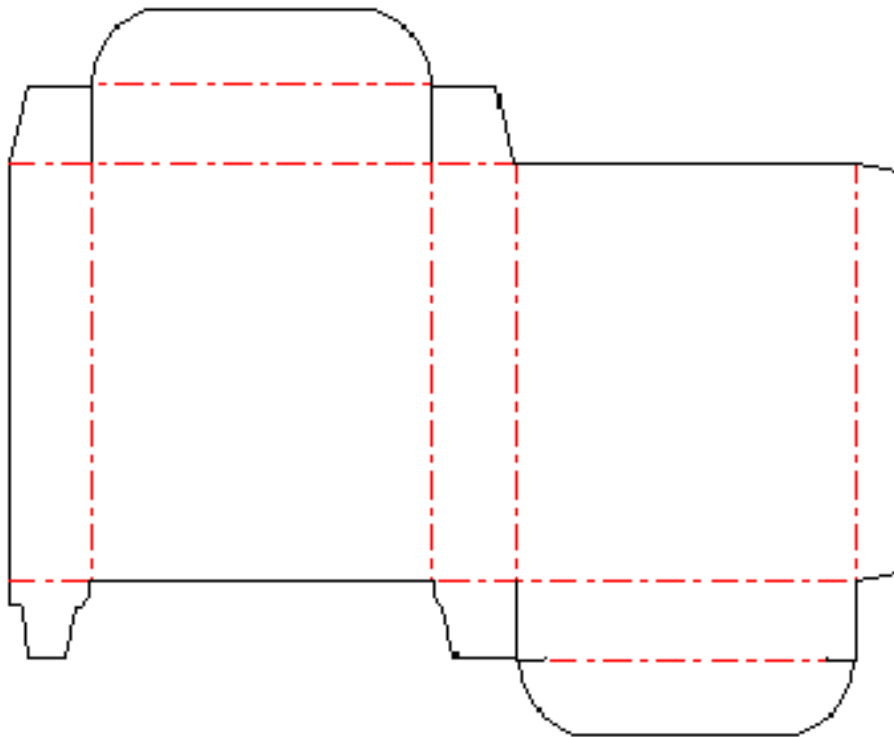
124.01.ARD - Straight tuck top on 4th



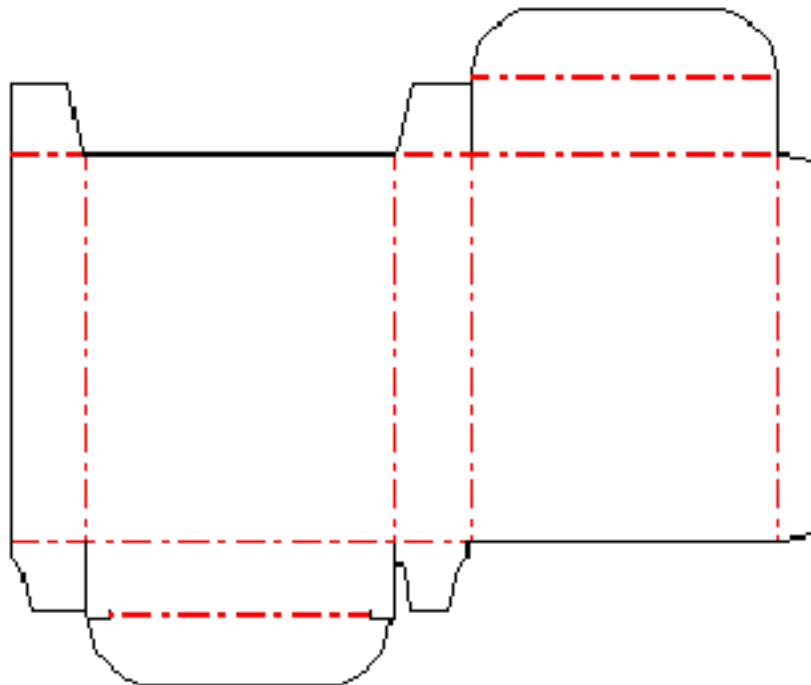
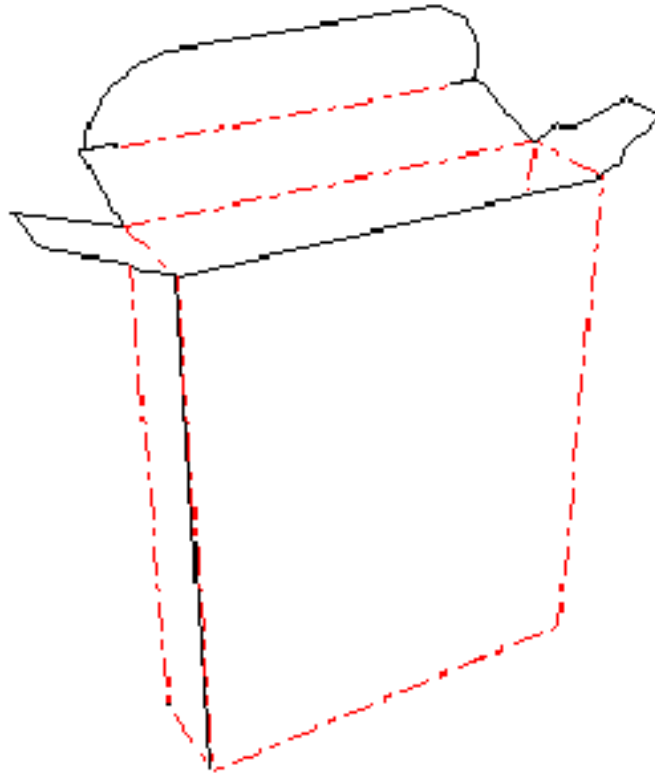
Friction tuck tops/Slit lock bottom

122.03.ARD - Reverse top tuck on 2nd

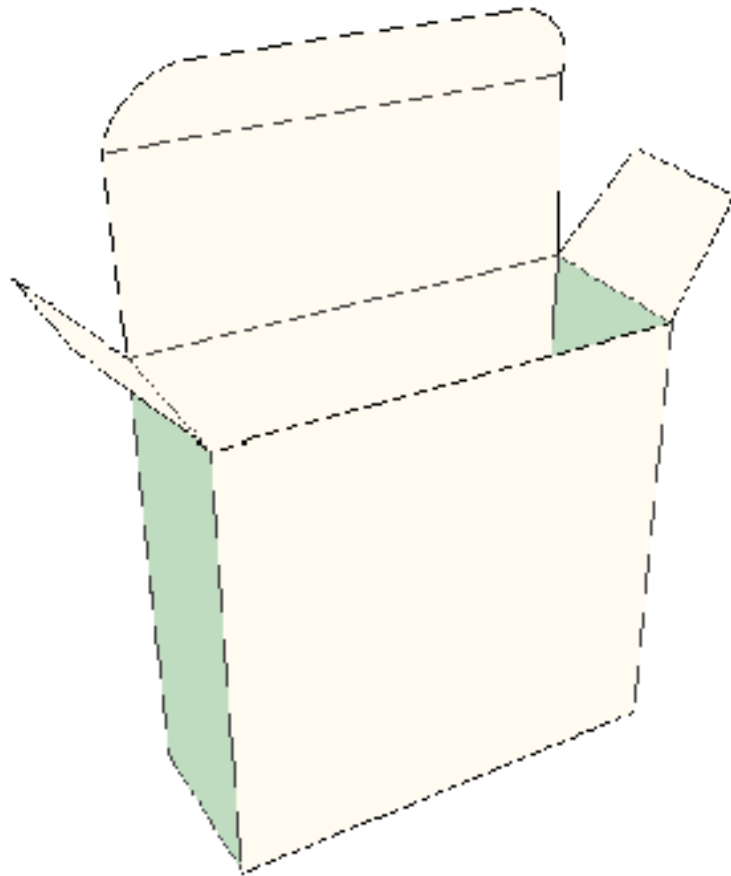


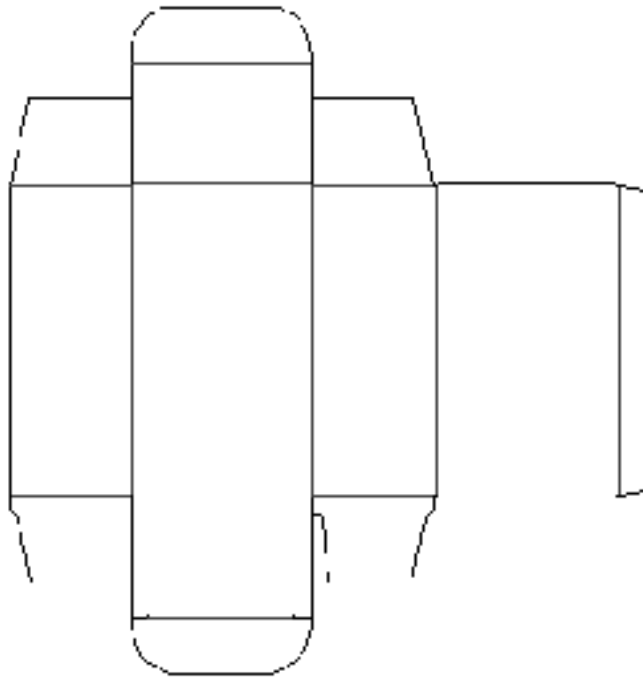


121.03.ARD - Reverse tuck top on 4th

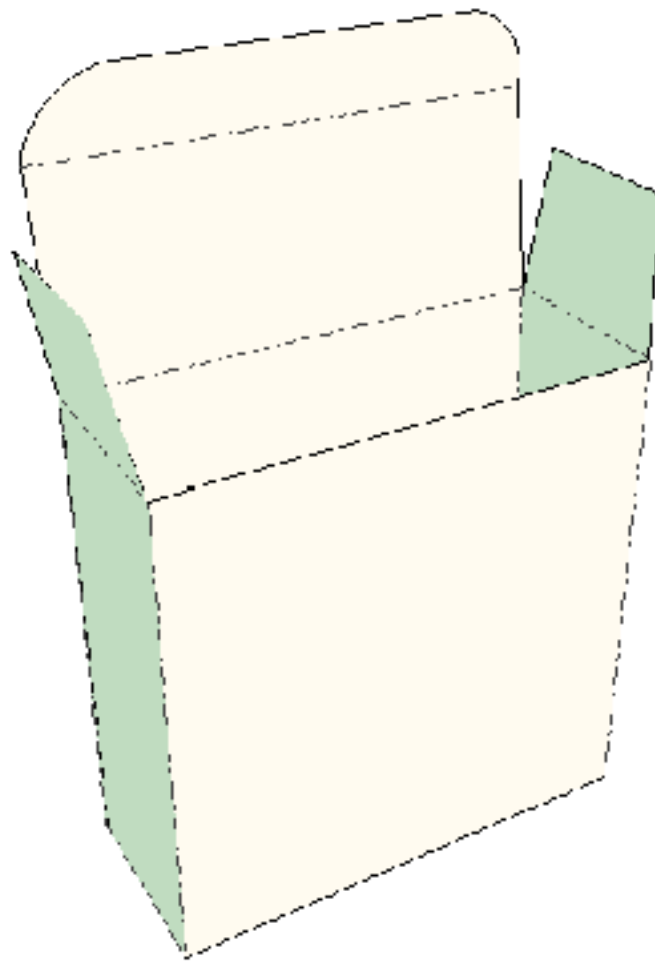


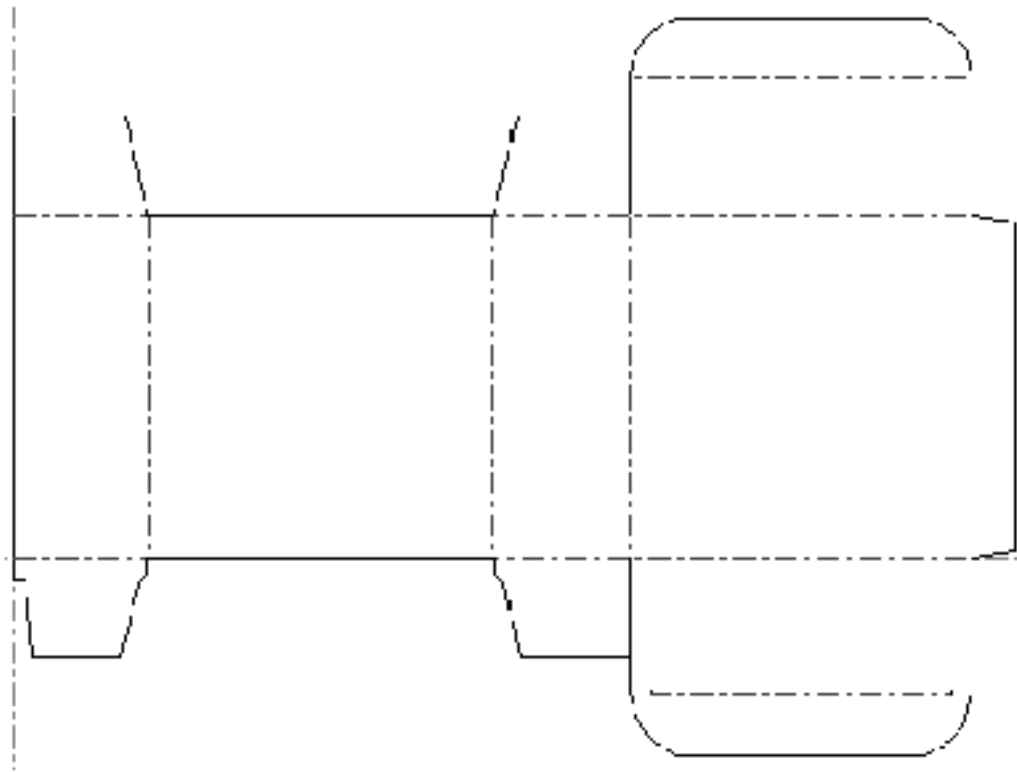
123.03.ARD - Straight tuck top on 2nd





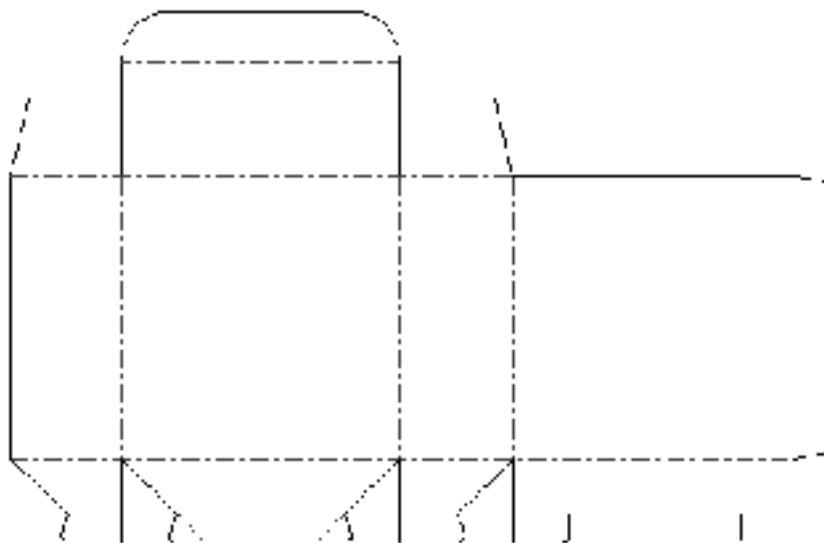
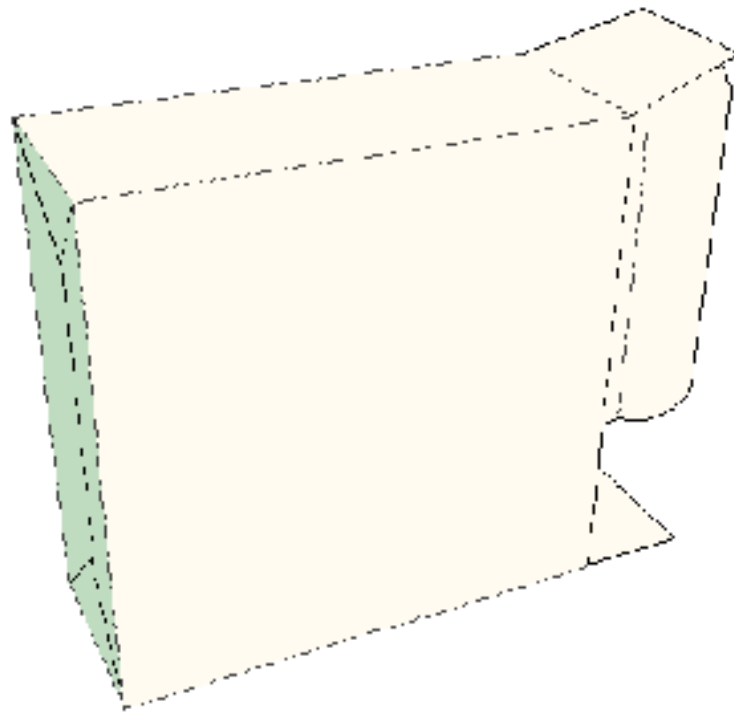
124.03.ARD - Straight tuck top on 4th



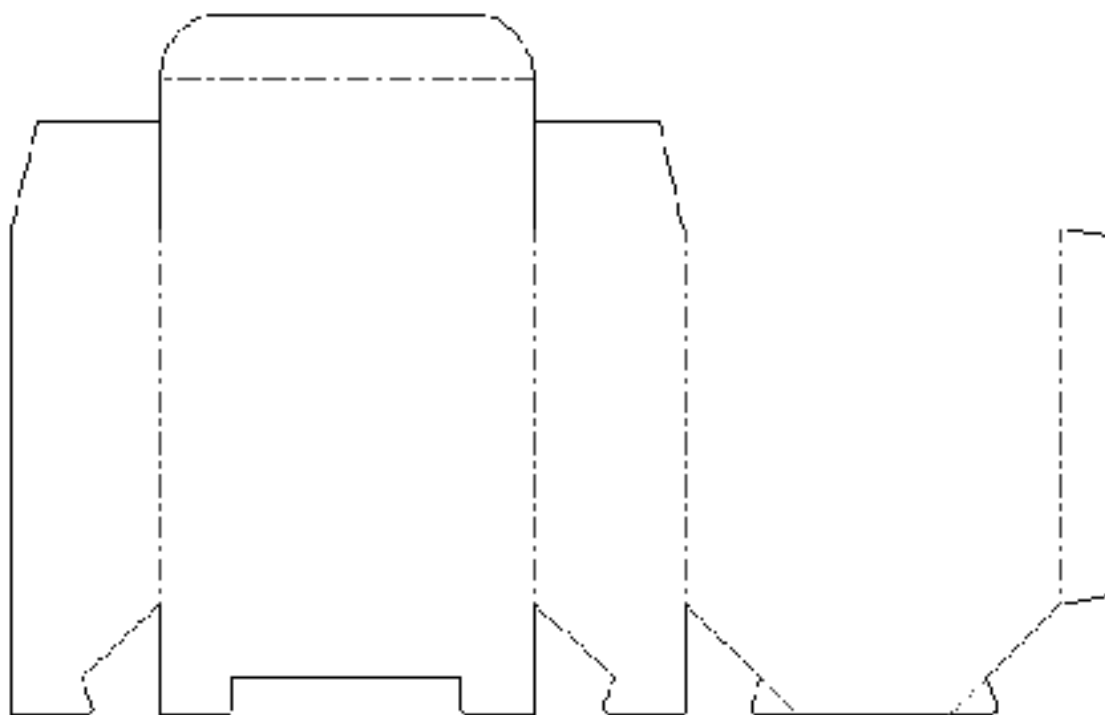
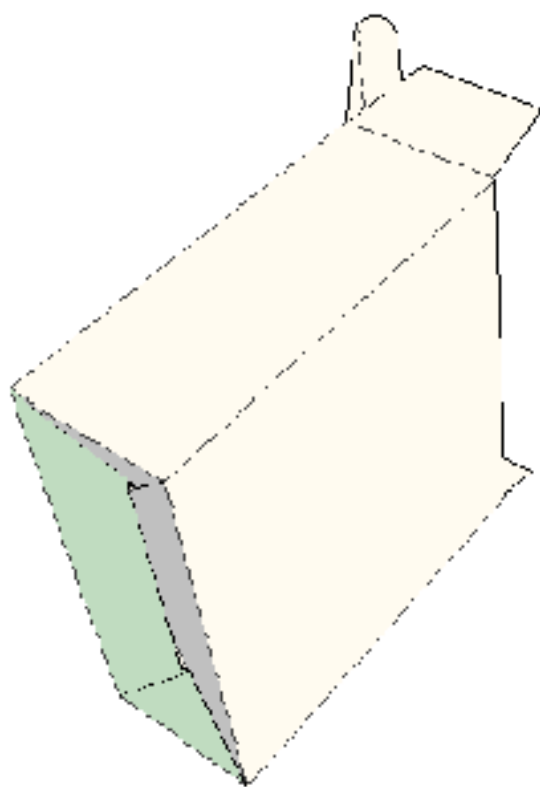


Friction tuck tops/Houghland bottom

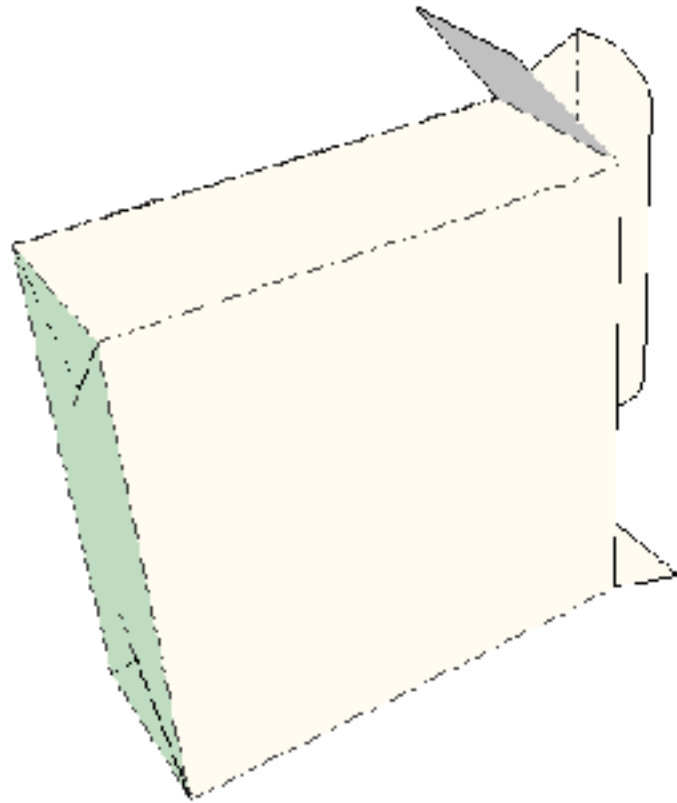
141.10.ARD - Tuck on 2nd - Tab on 2nd

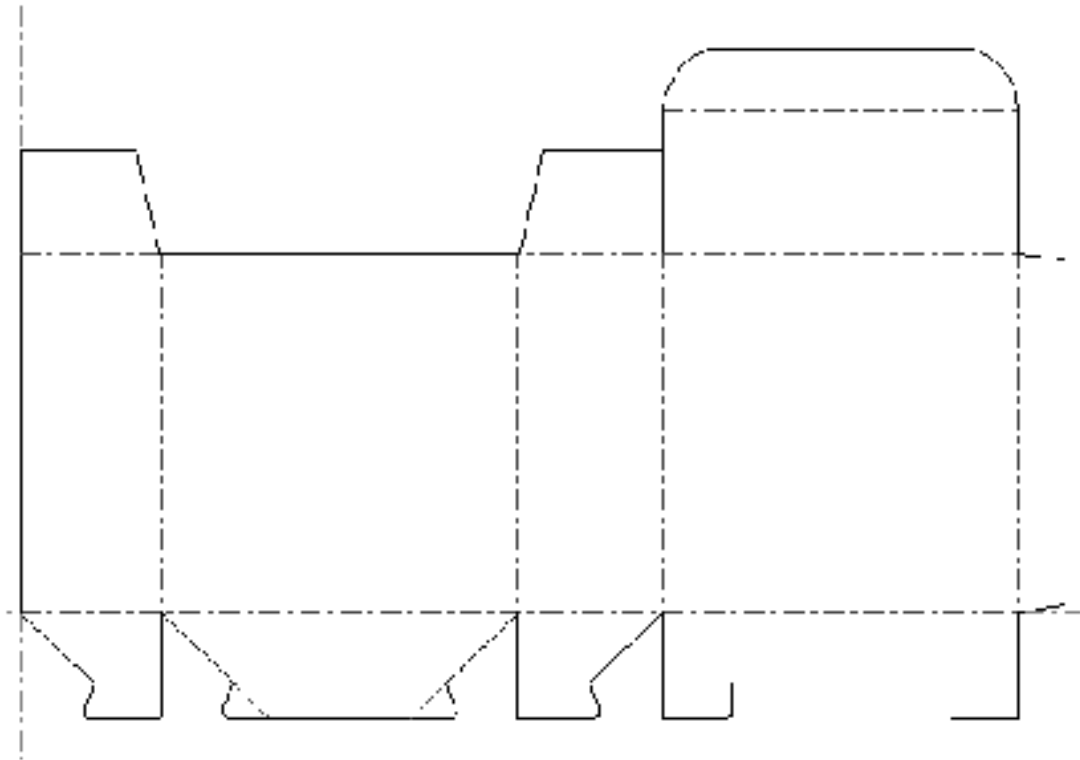


141.04.ARD - Tuck on 2nd - Tab on 4th

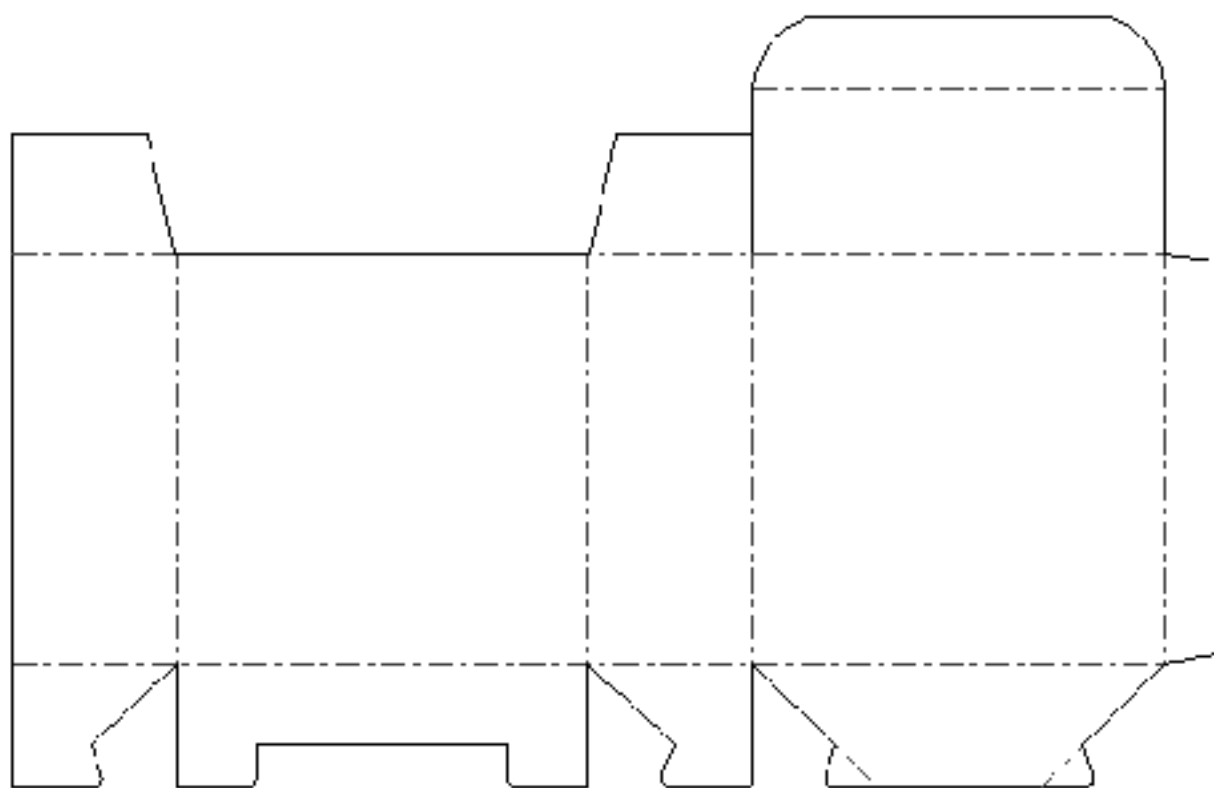
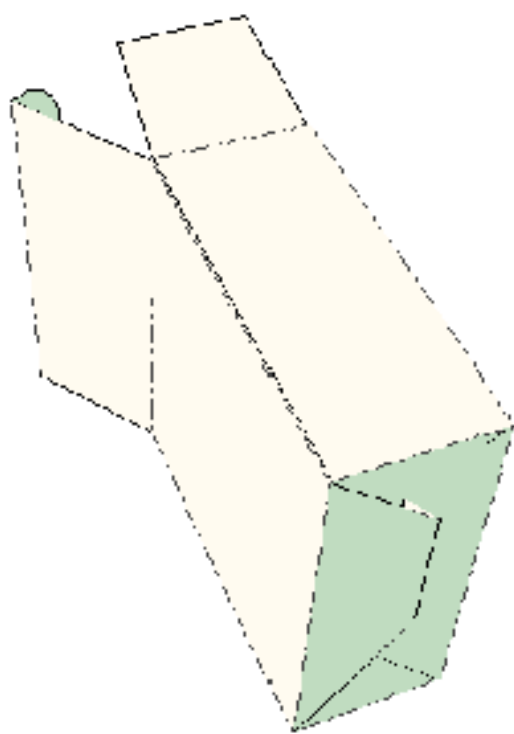


141.07.ARD - Tuck on 4th - Tab on 2nd



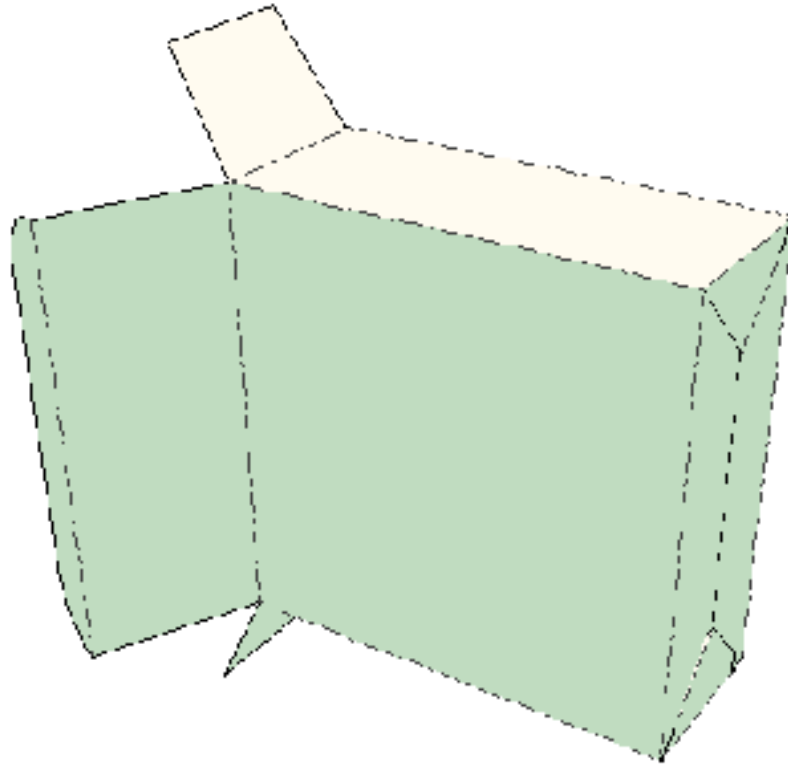


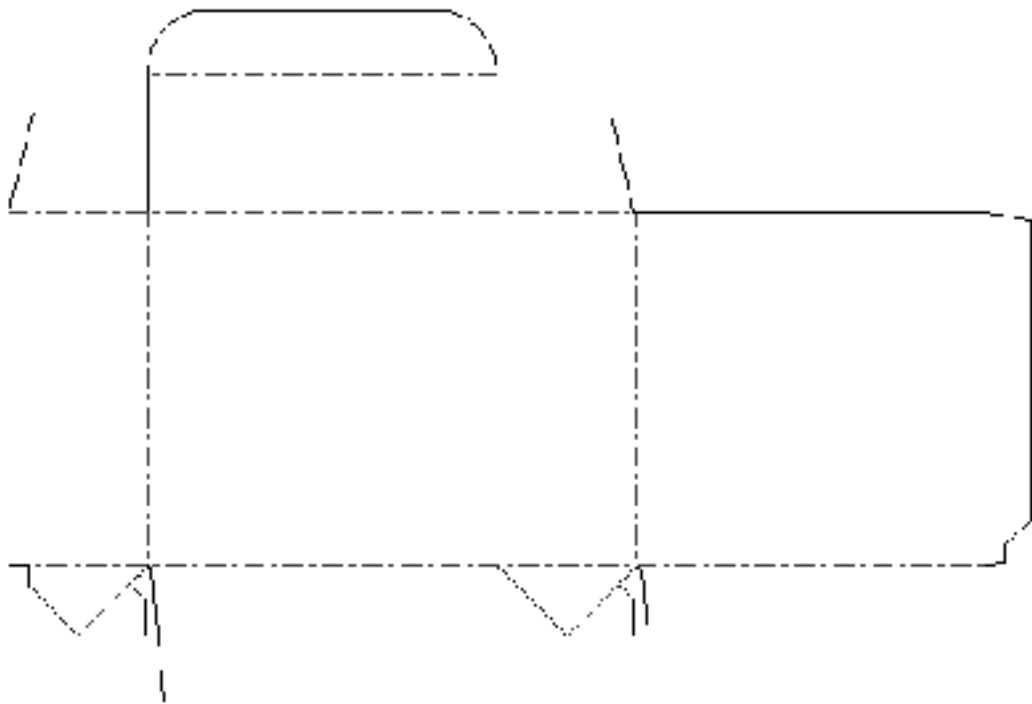
141.01.ARD - Tuck on 4th - Tab on 4th



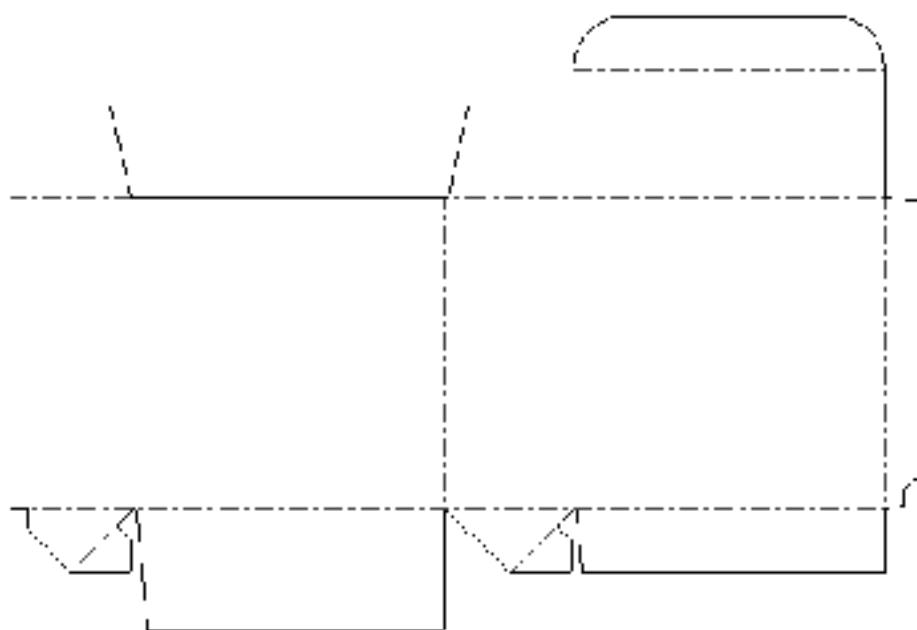
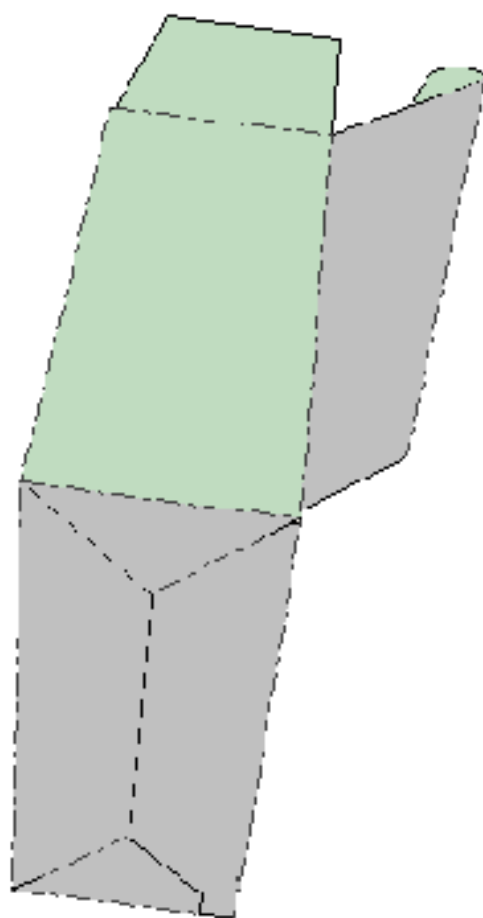
Friction tuck tops/Full flap auto bottom

151.04.ARD - Tuck top on 2nd



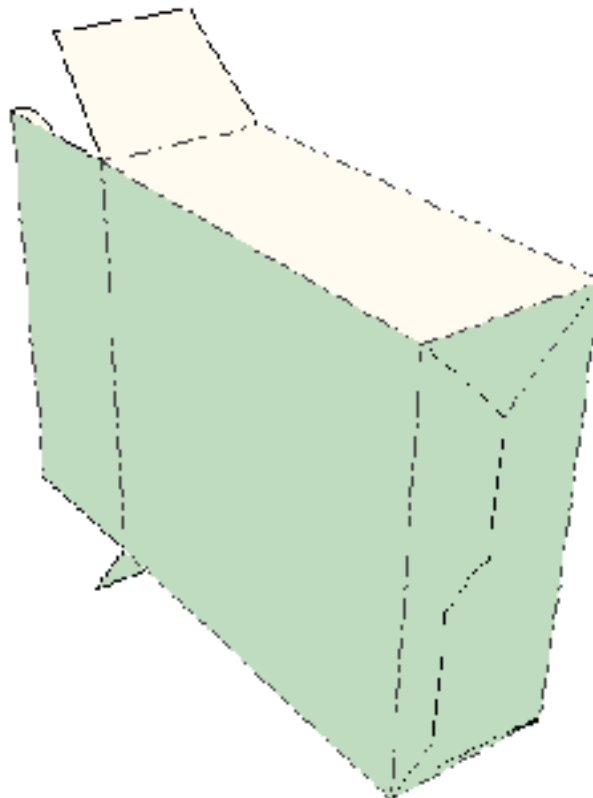


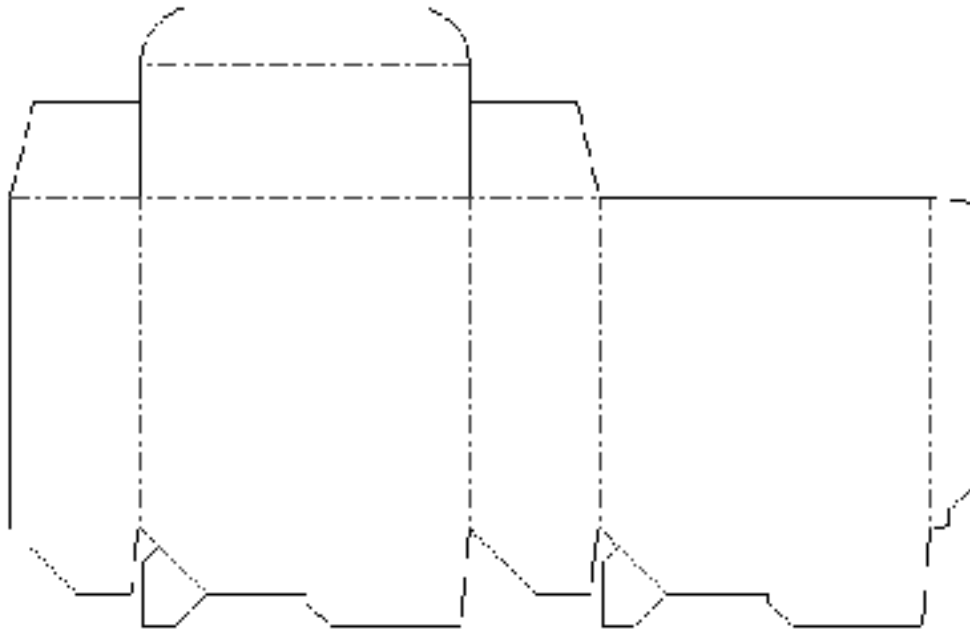
151.01.ARD - Tuck top on 4th



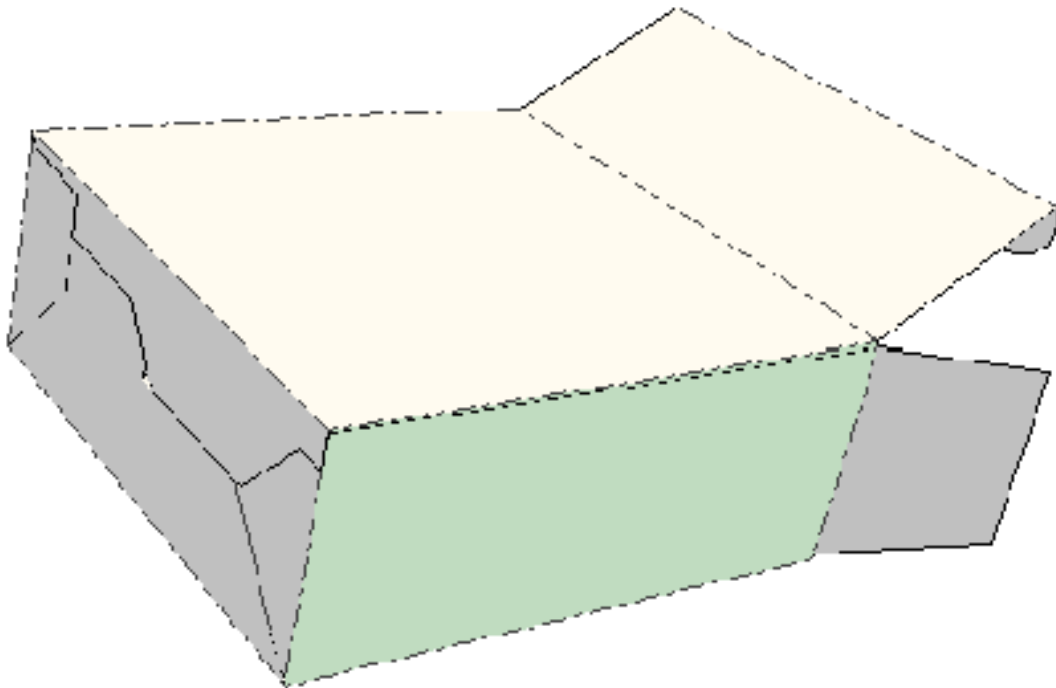
Friction tuck tops/Inturn auto bottom

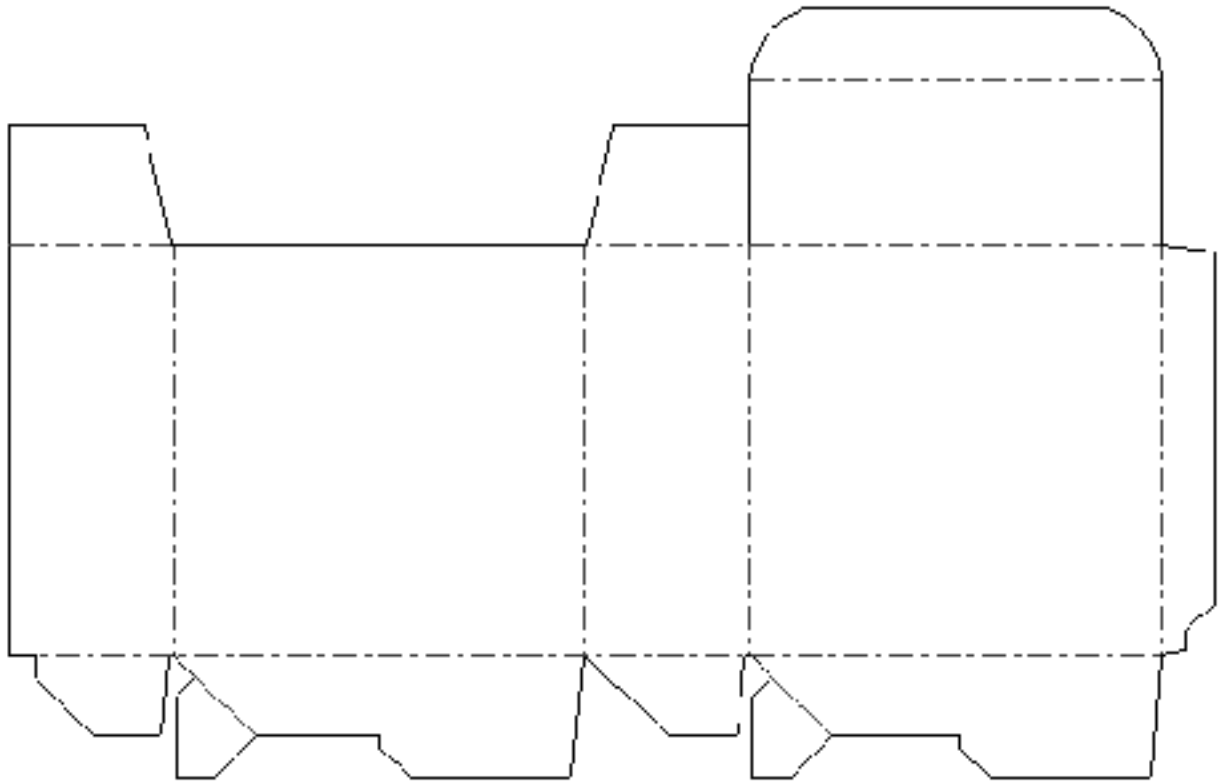
152.04.ARD - Tuck top on 2nd





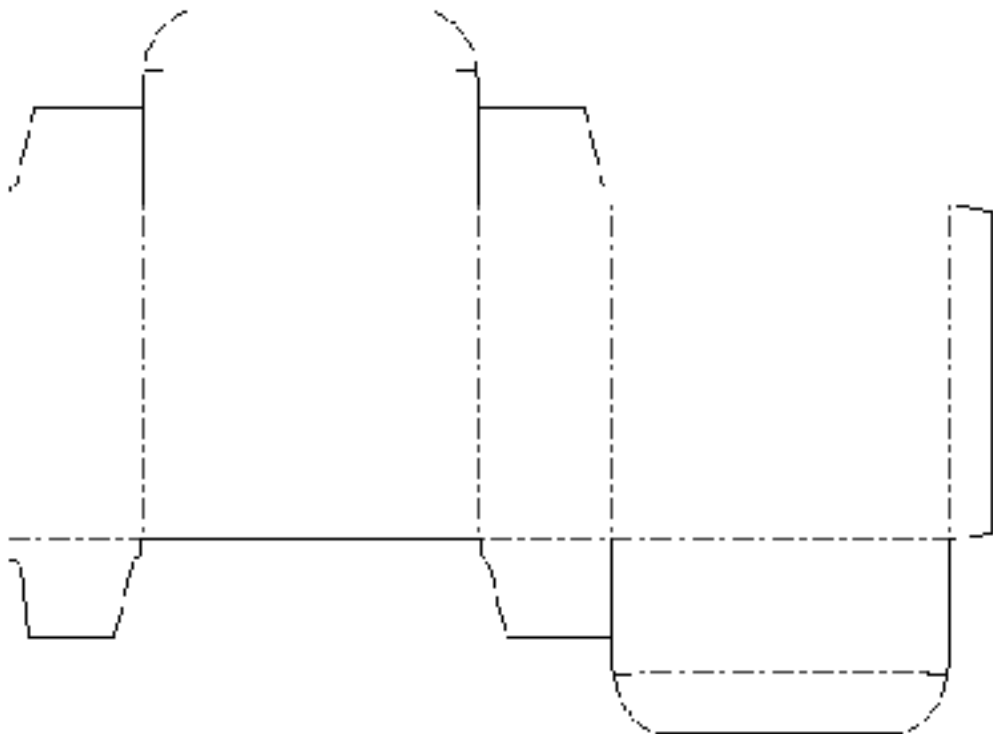
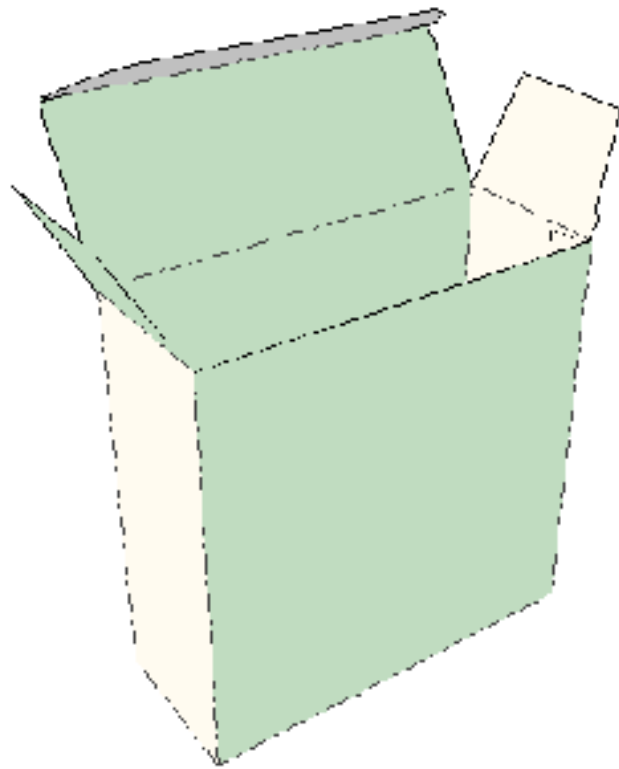
152.01.ARD - Tuck top on 4th



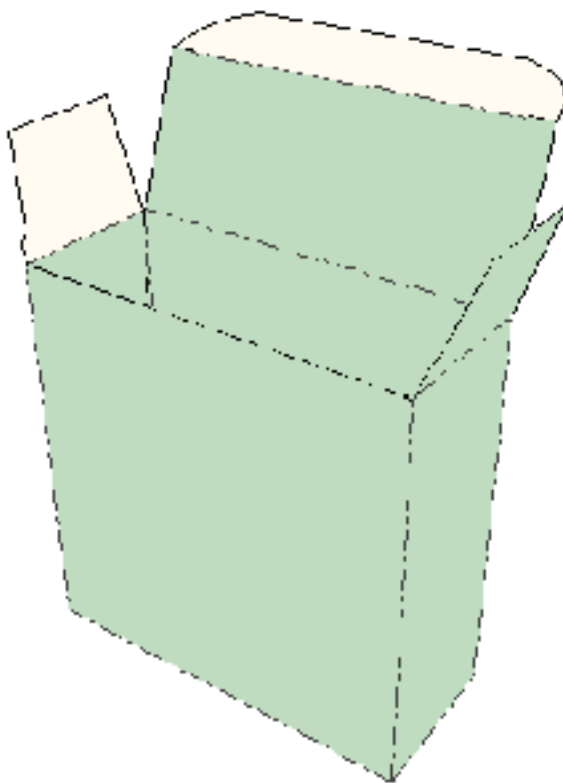


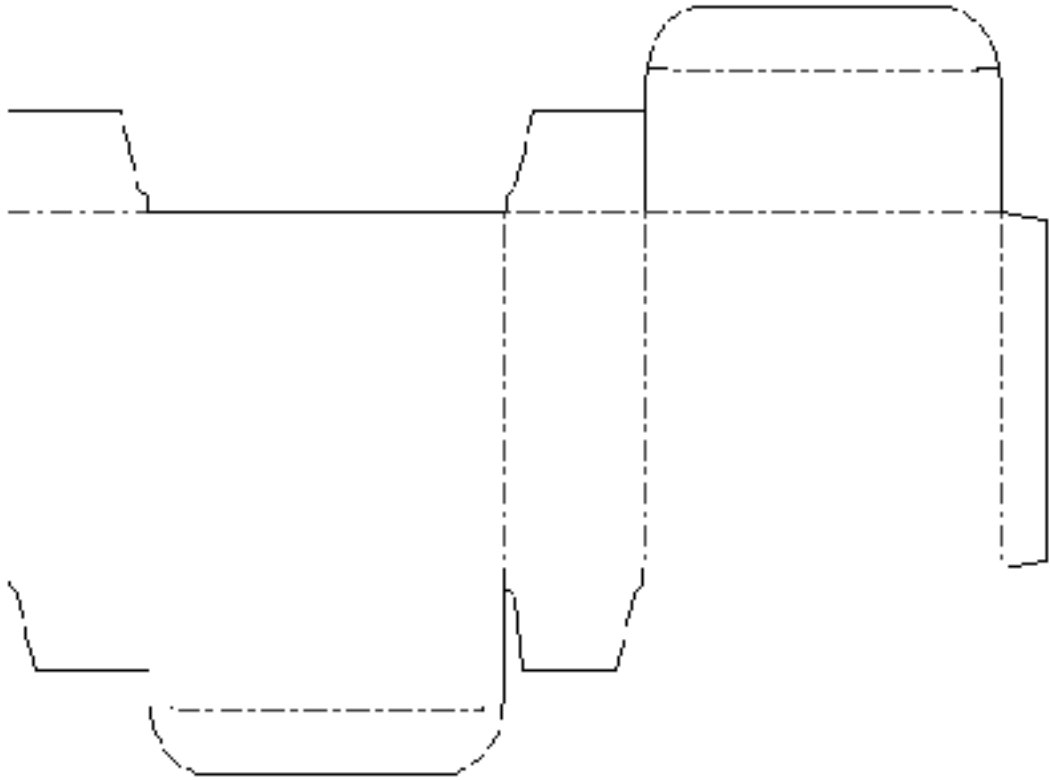
Unituck slit lock top and bottom

122.07.ARD - RT top tuck on 2nd

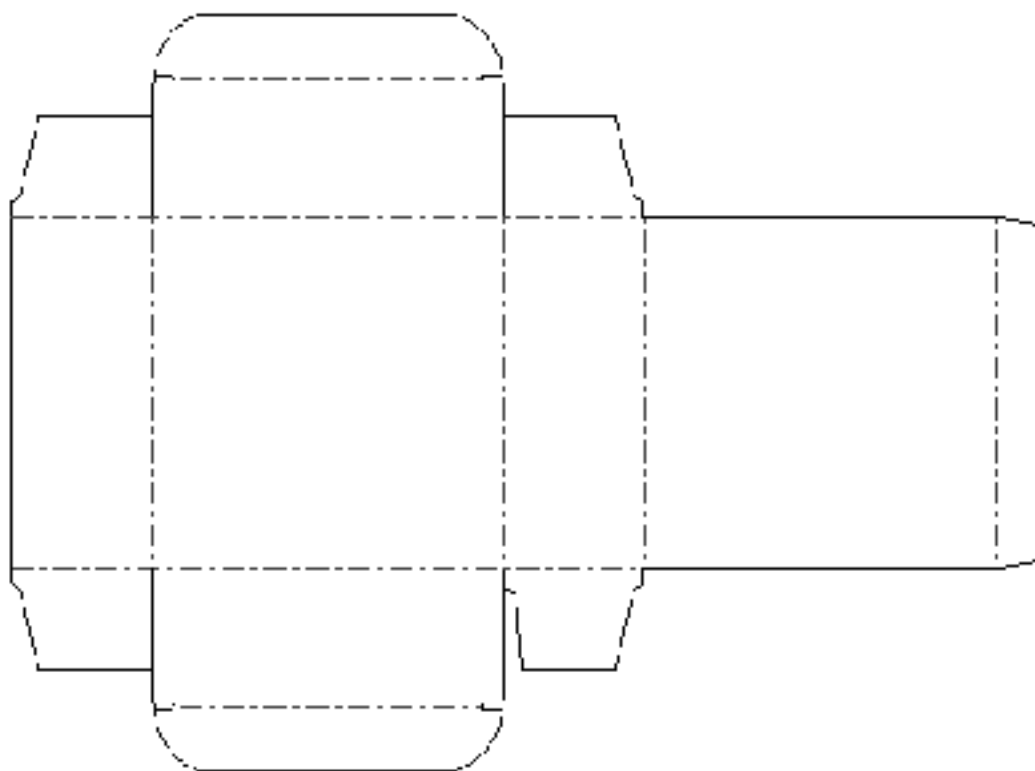
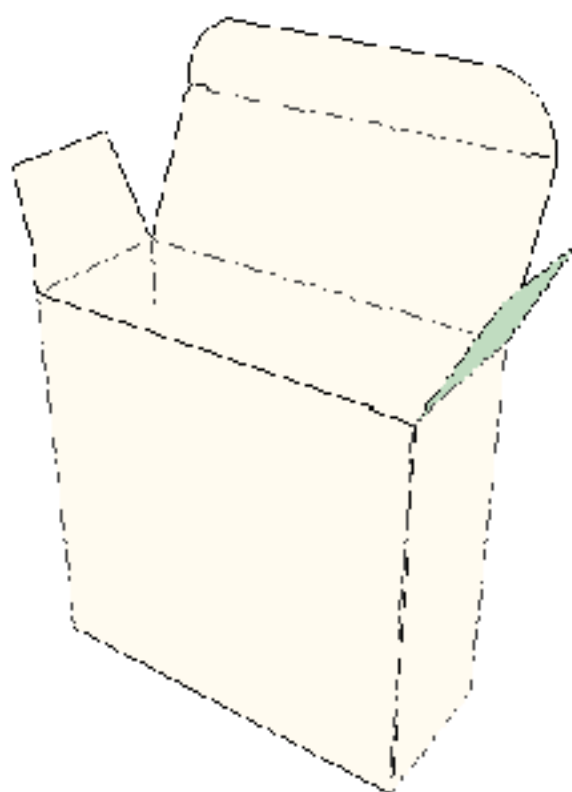


121.07.ARD - RT top tuck on 4th

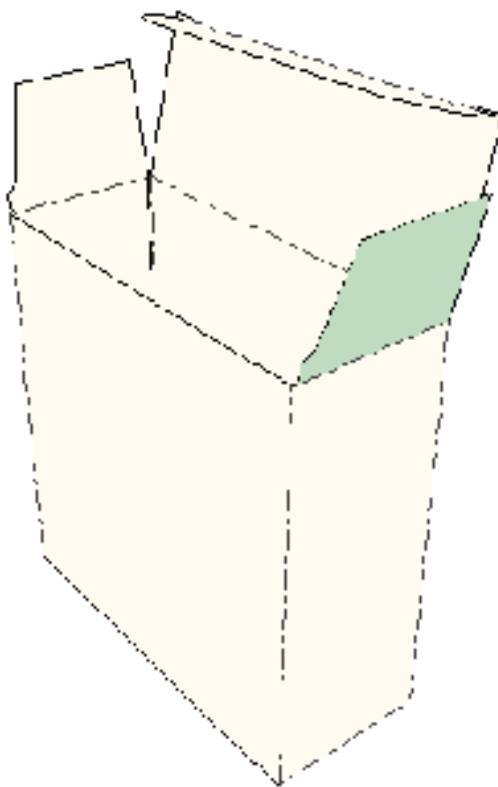


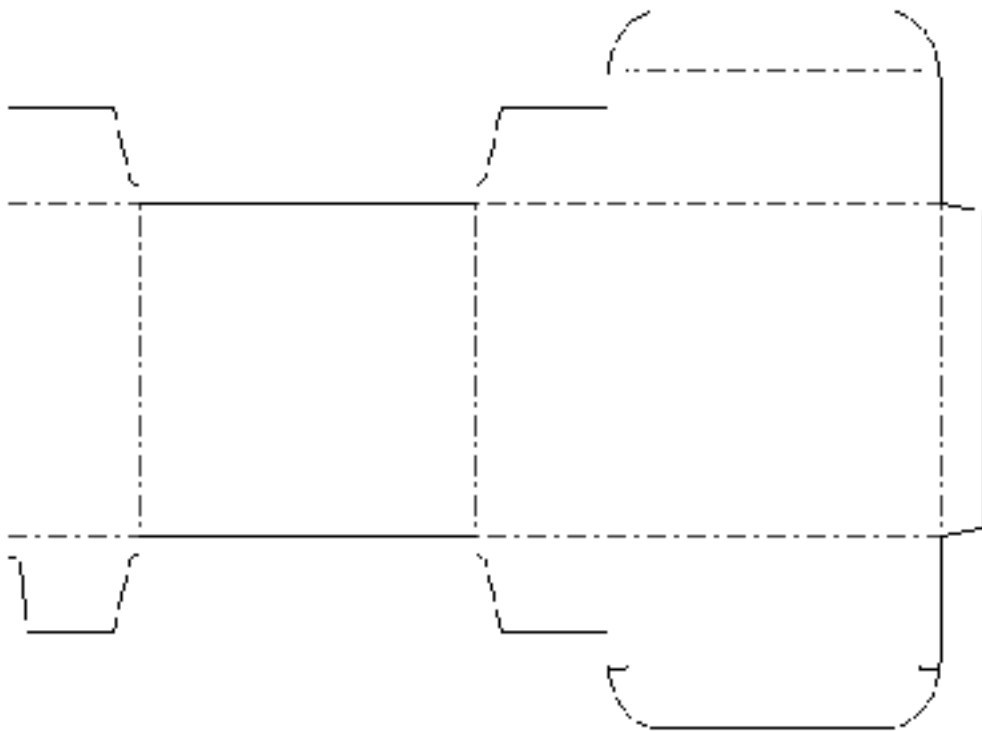


123.07.ARD - ST top tuck on 2nd



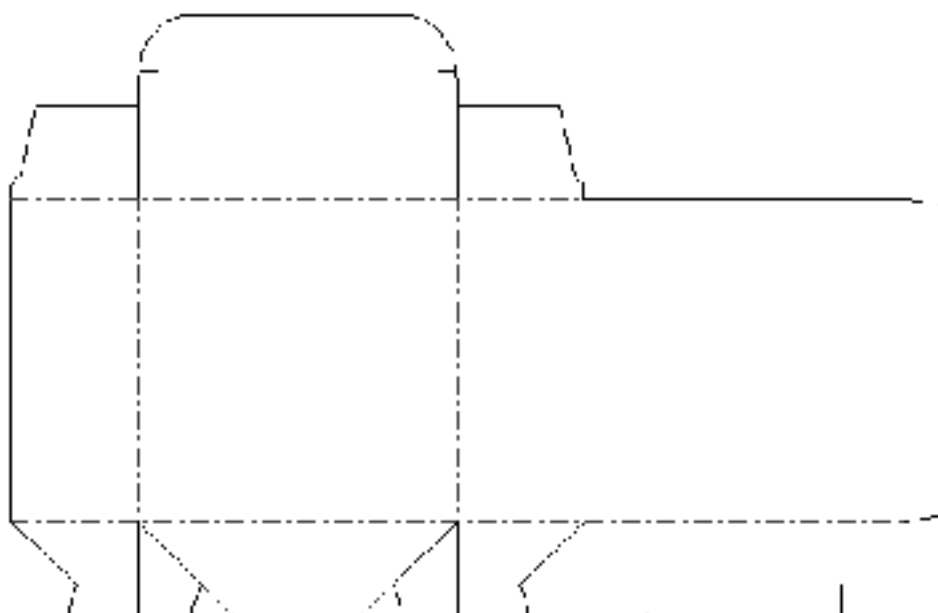
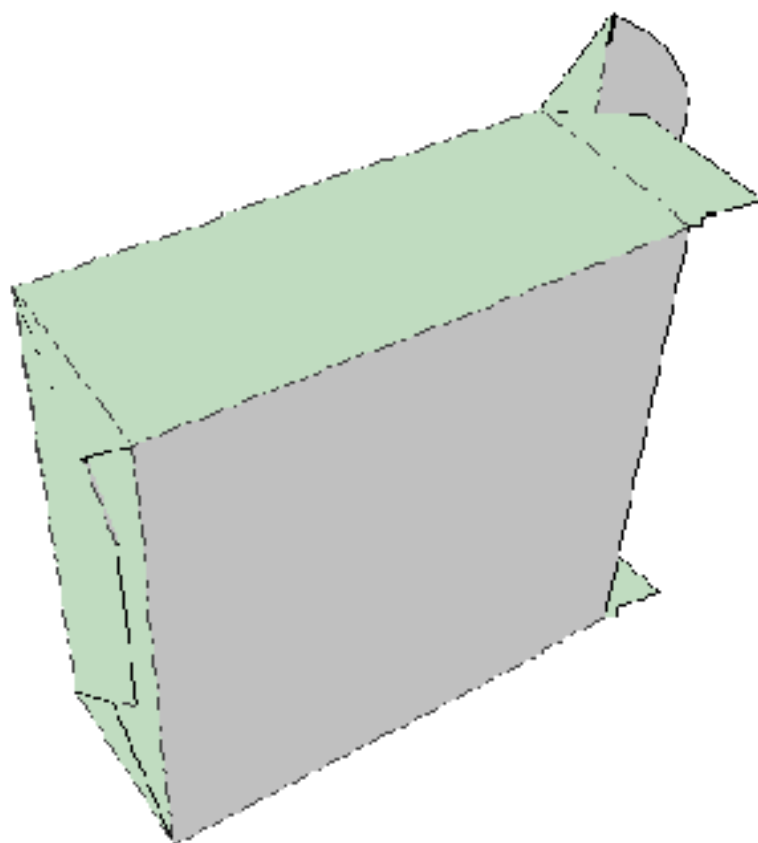
124.07.ARD - ST top tuck on 4th



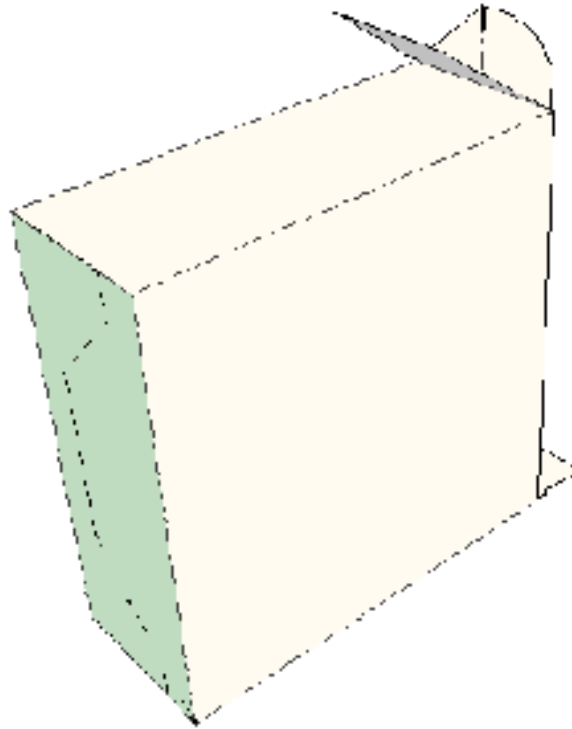


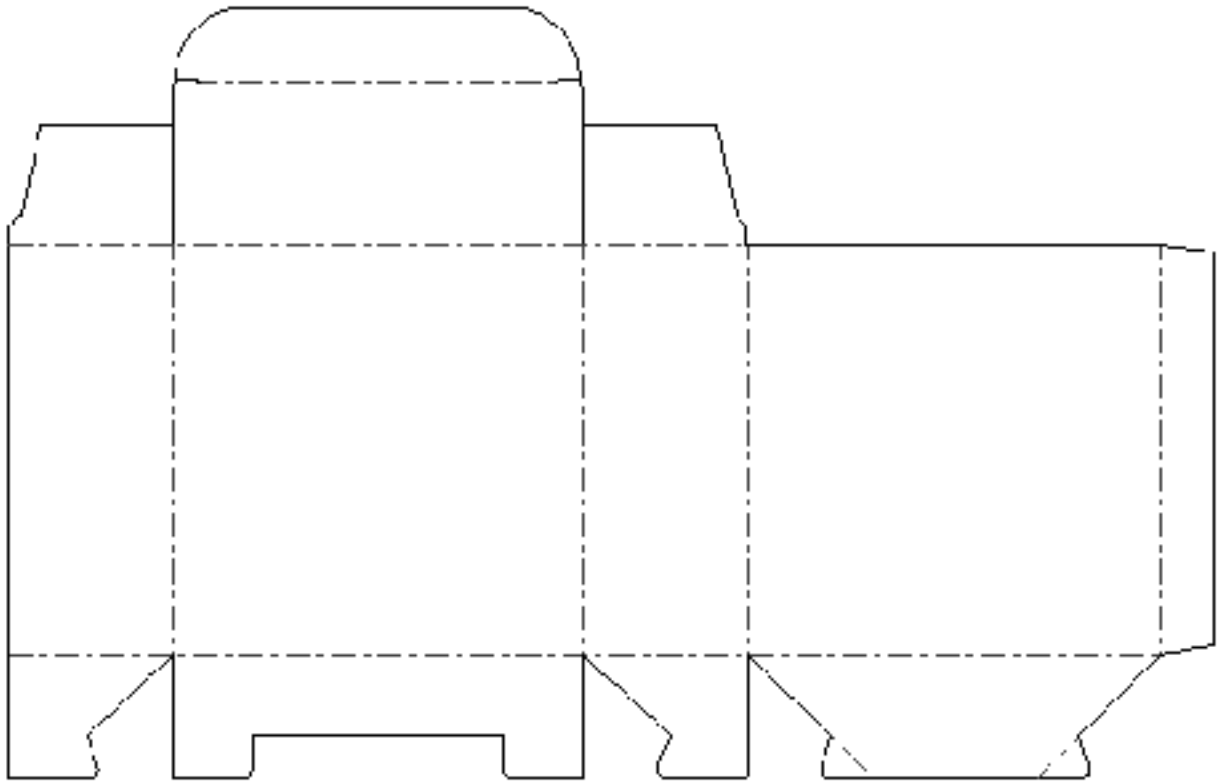
Unituck slit lock top/Houghland bottom

141.11.ARD - Tuck on 2nd - tab on 2nd

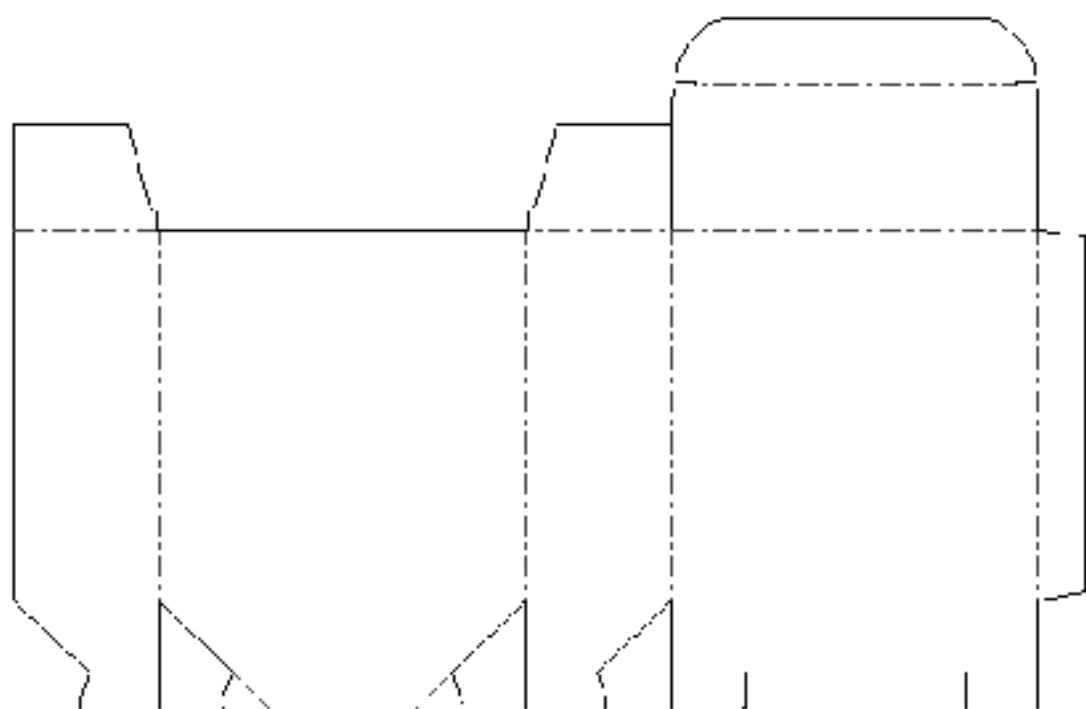
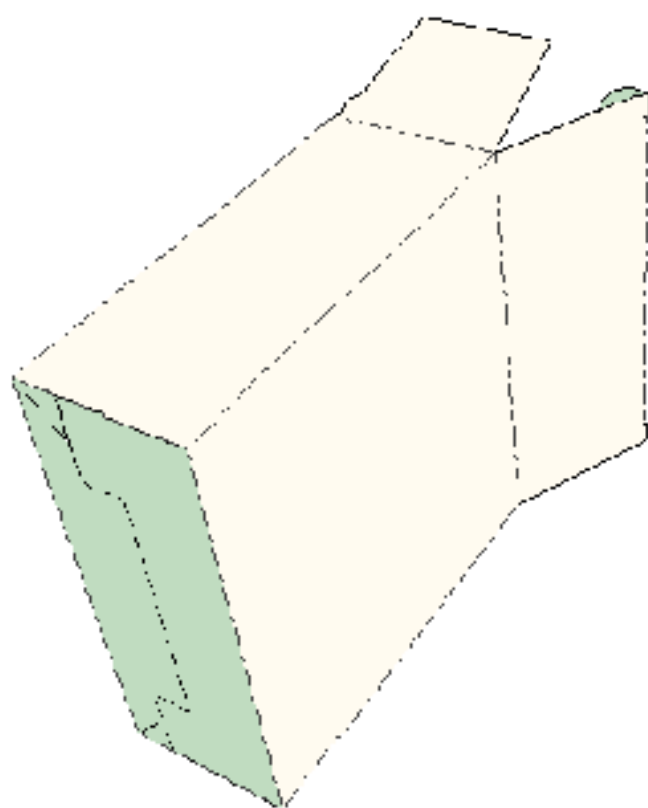


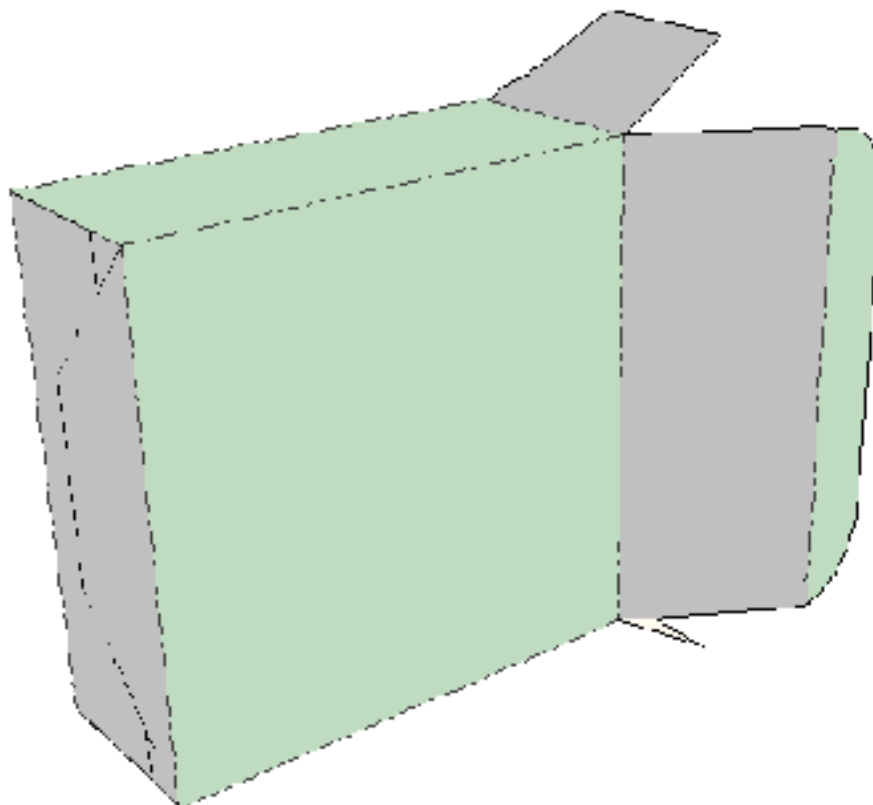
141.05.ARD - Tuck on 2nd - tab on 4th

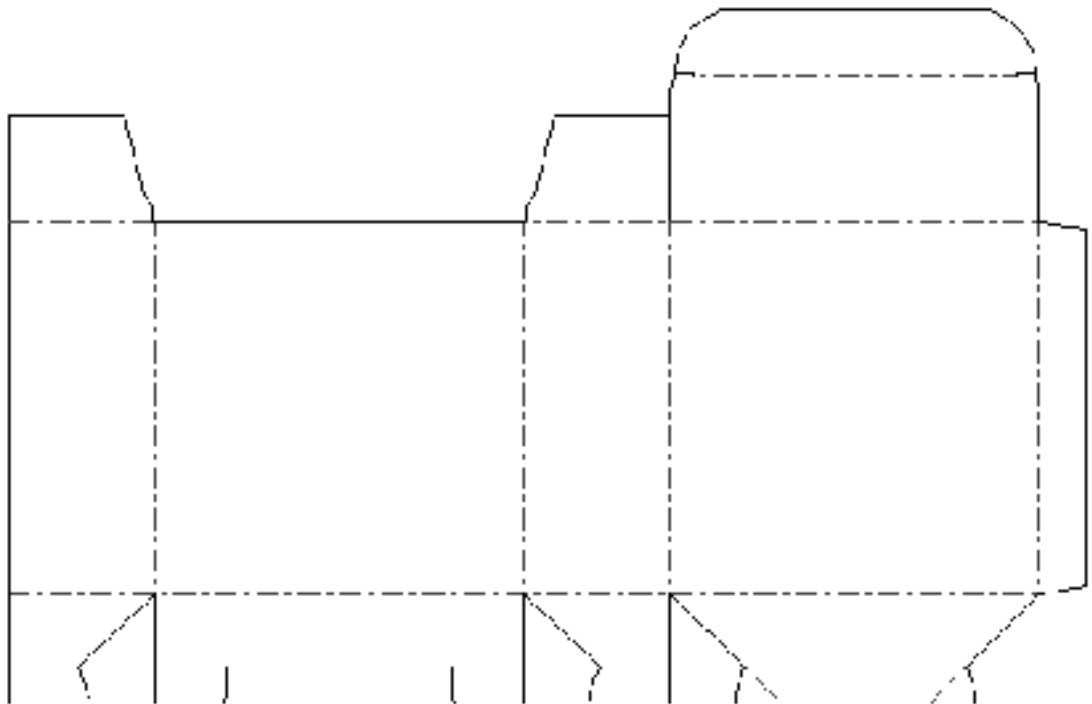




141.08.ARD - Tuck on 4th - tab on 2nd

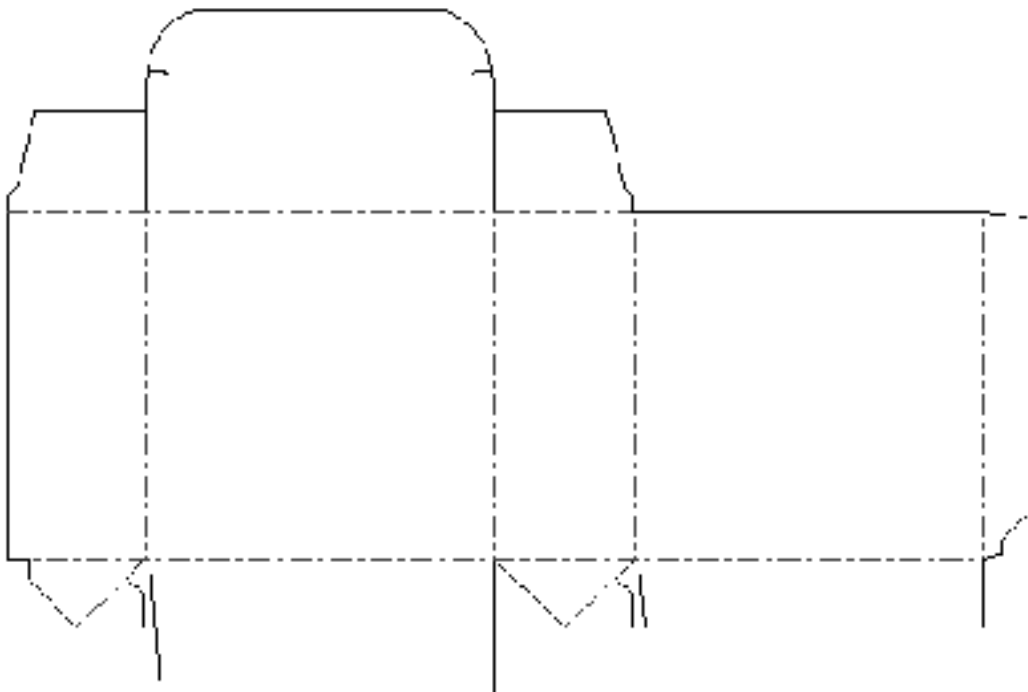
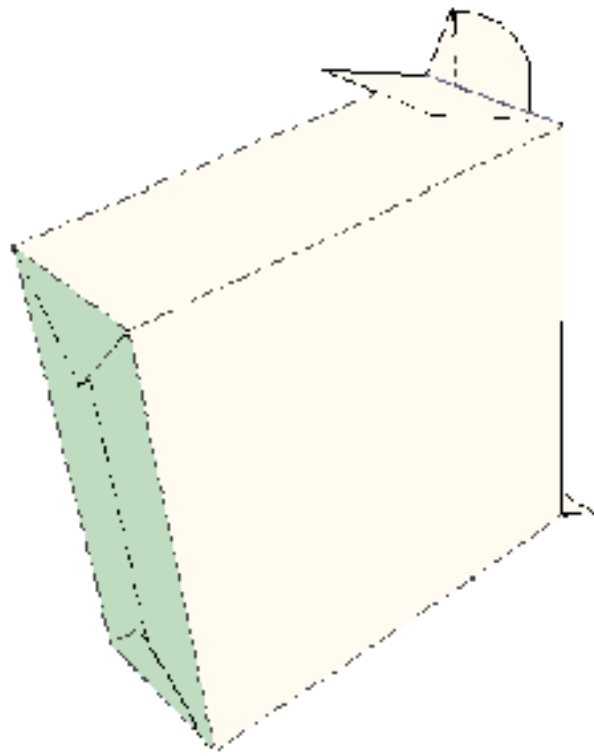


141.02.ARD - Tuck on 4th - tab on 4th

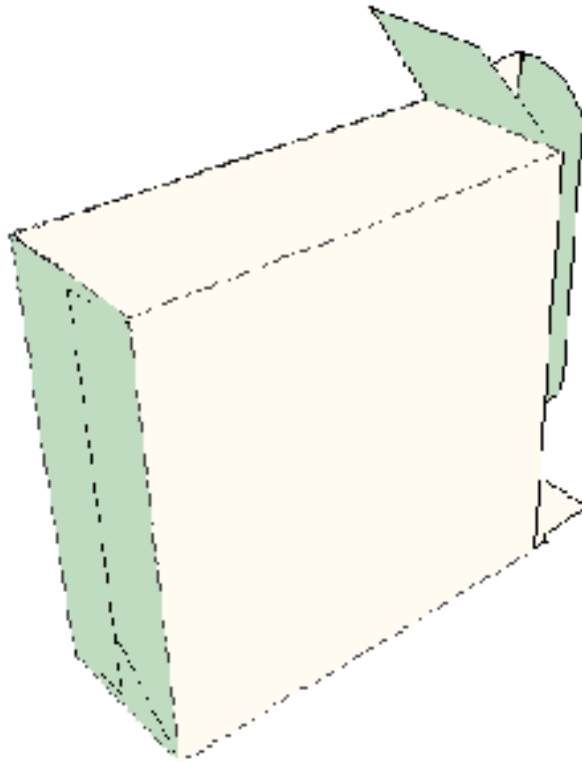


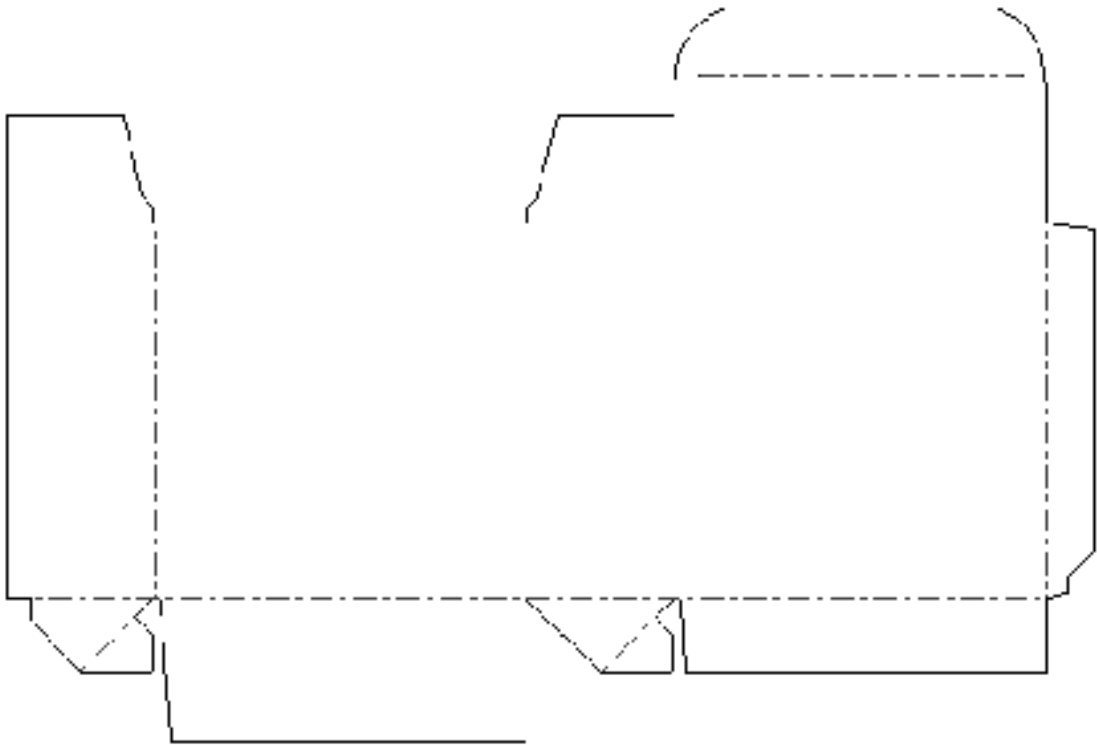
Unituck Slit Lock Top/Full flap auto bottom

151.05.ARD - Tuck top on 2nd



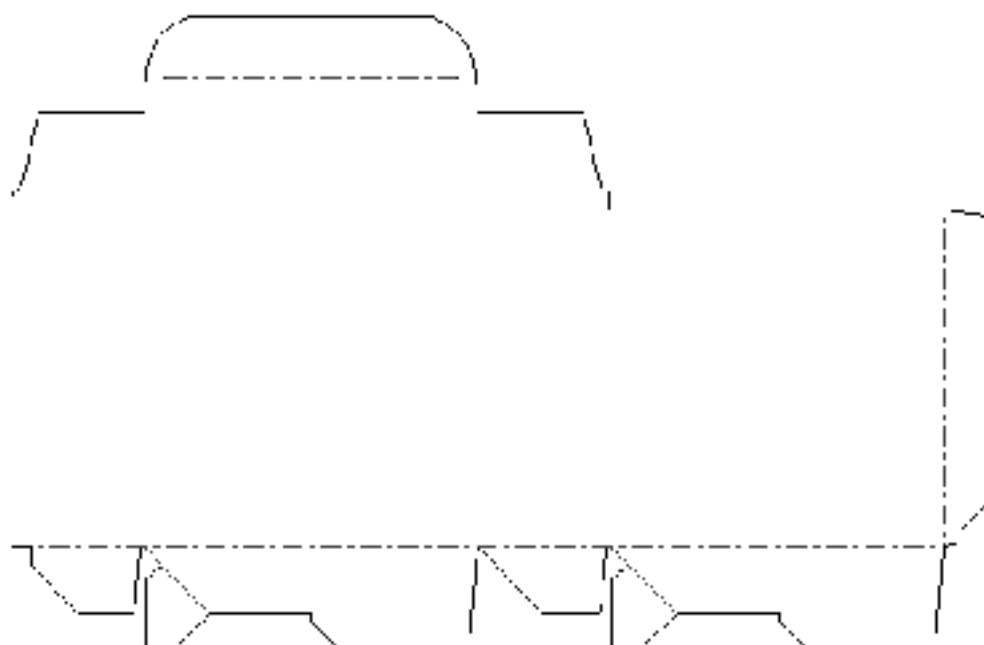
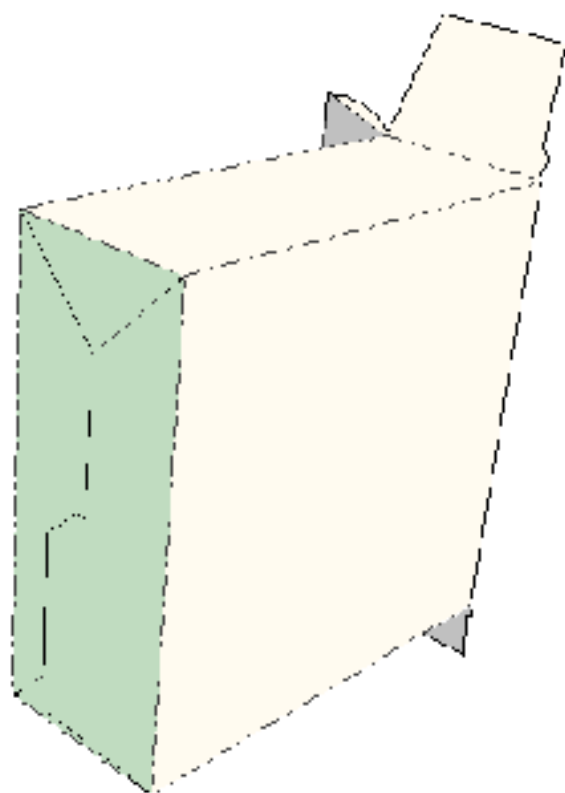
151.02.ARD - Tuck top on 4th



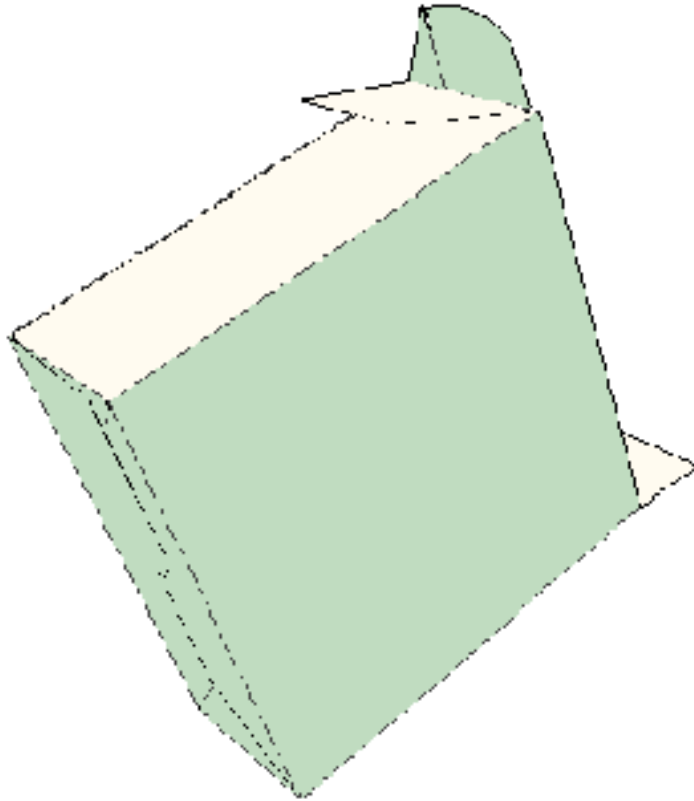


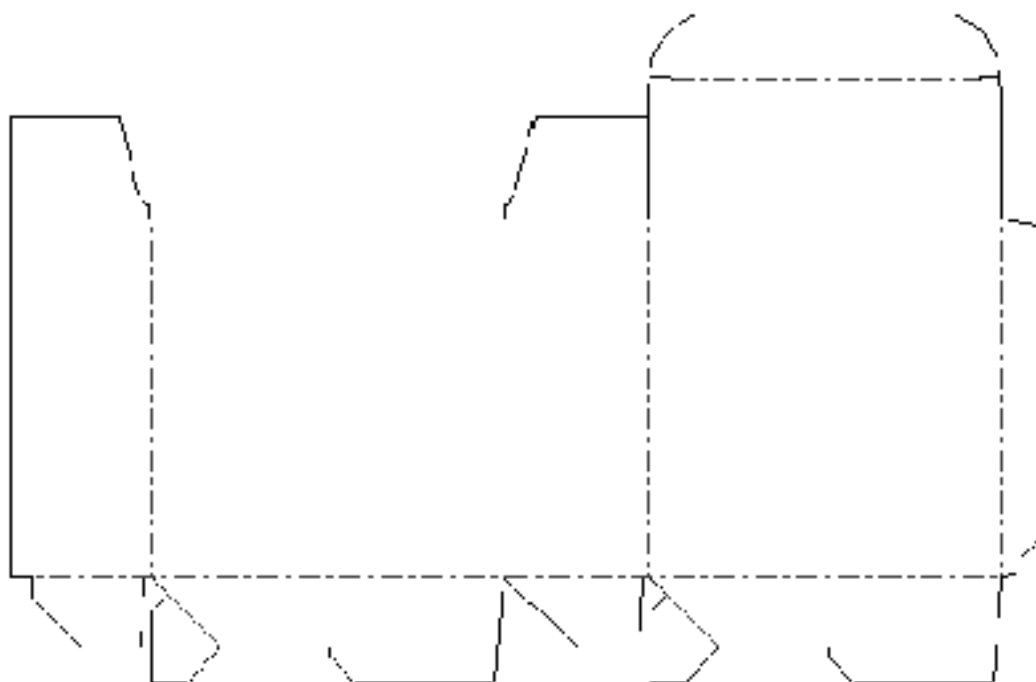
Unituck slit lock top/Inturn auto bottom

152.05.ARD Tuck top on 2nd



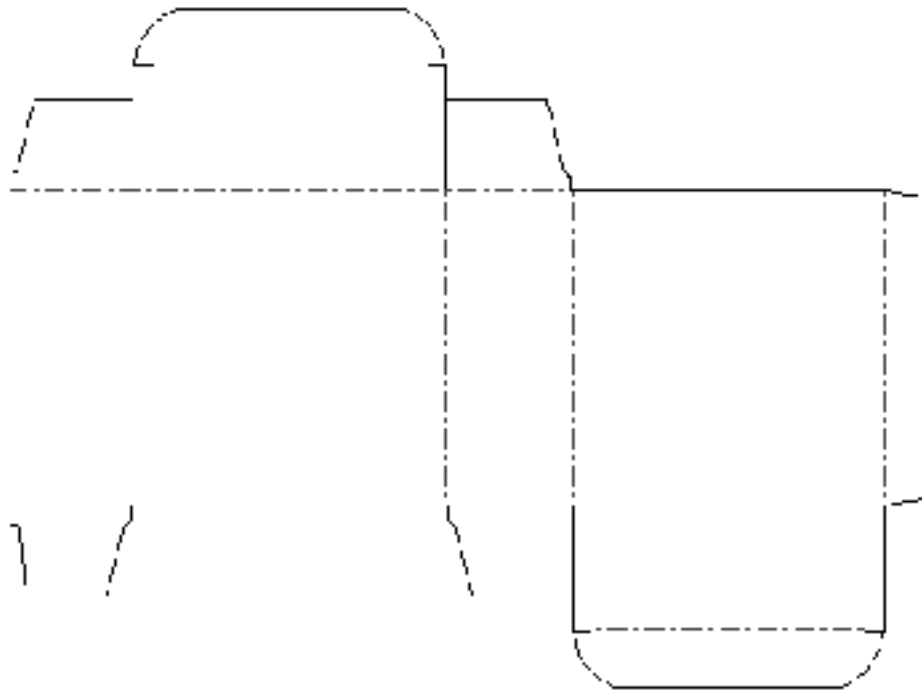
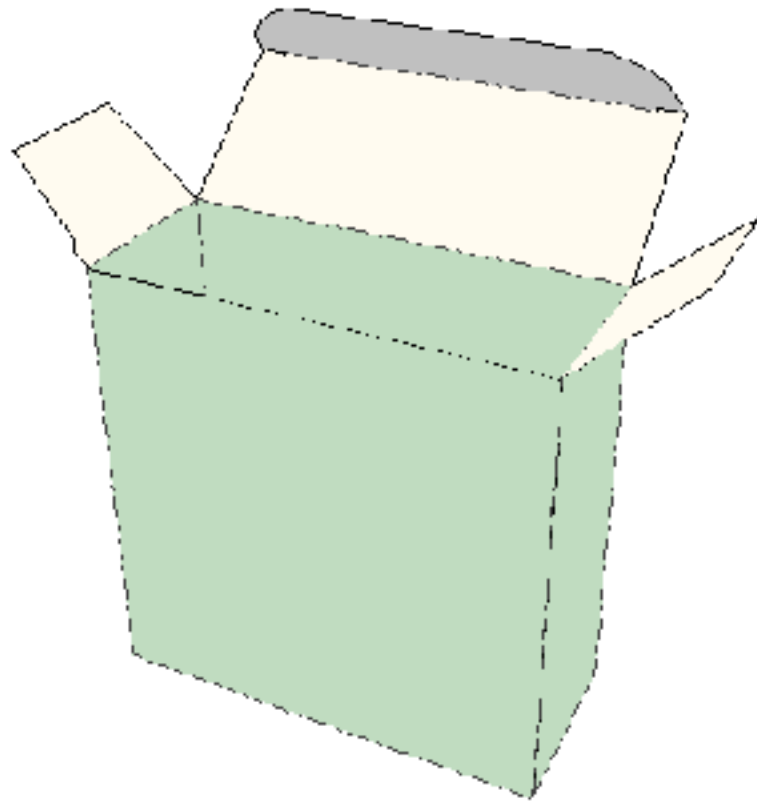
152.02.ARD - Tuck top on 4th



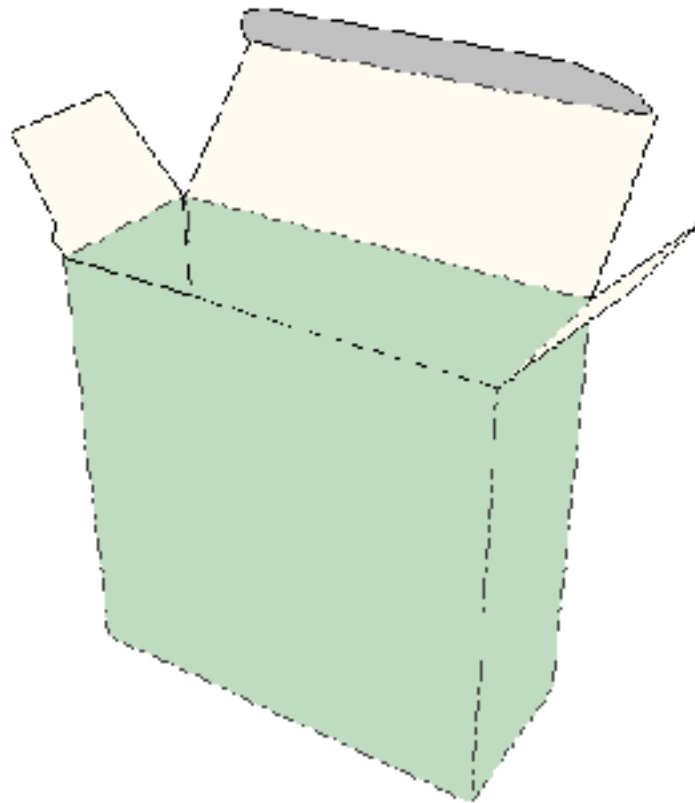


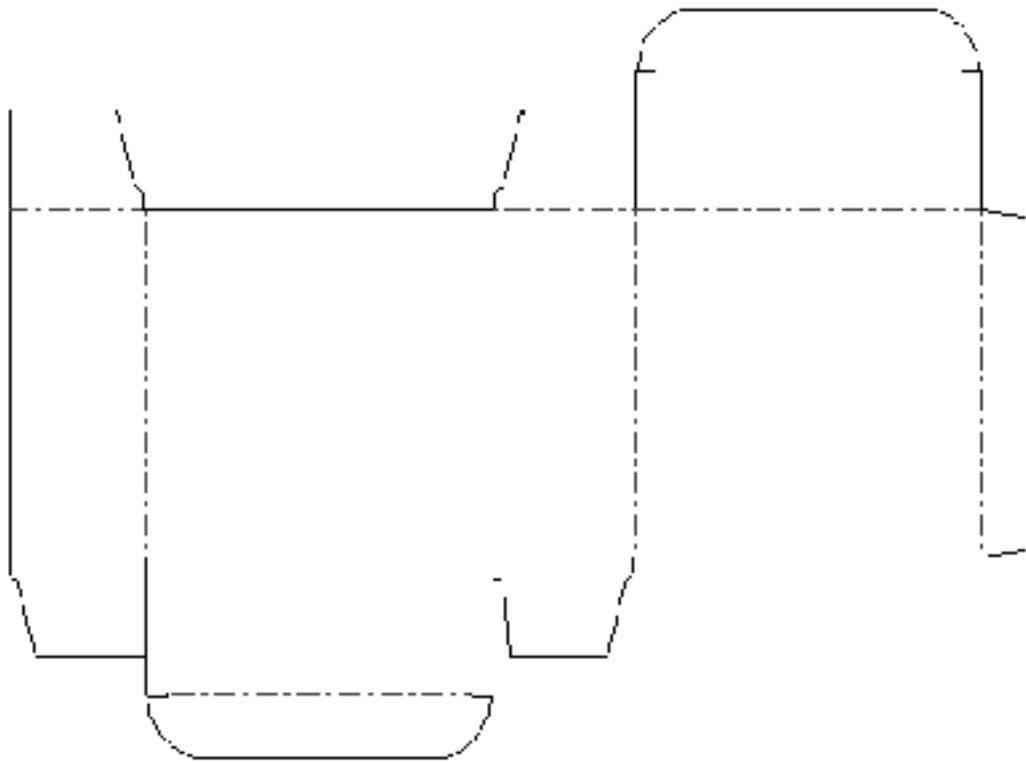
Standard slit lock top/Standard slit lock bottom

122.09.ARD - RT top tuck on 2nd

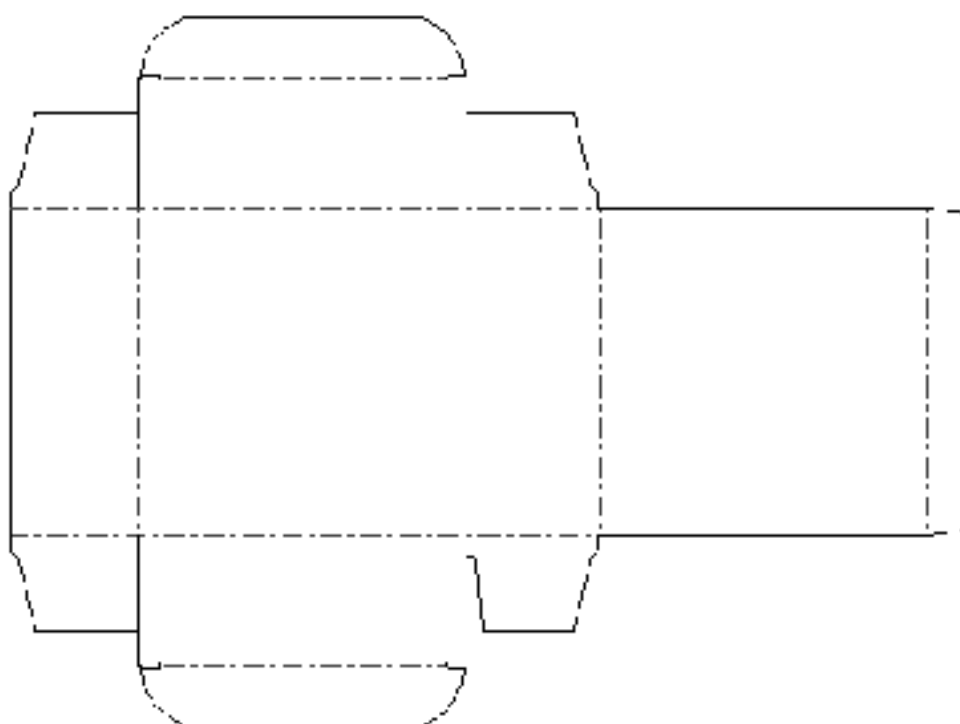
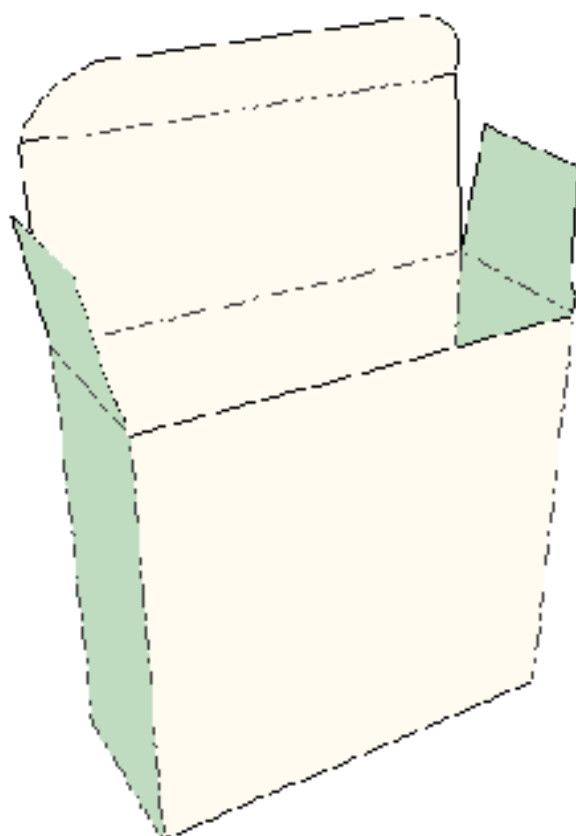


121.09.ARD - RT top tuck on 4th

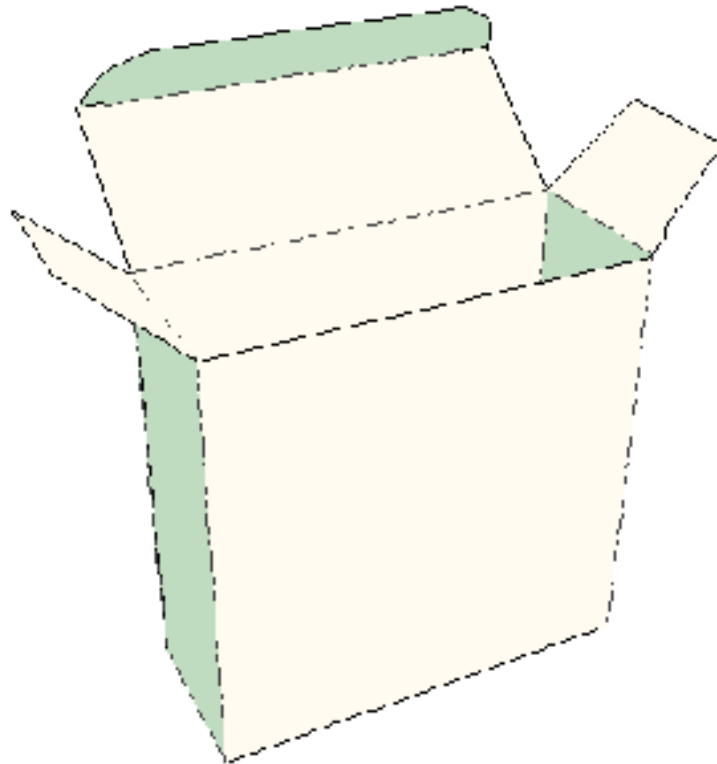


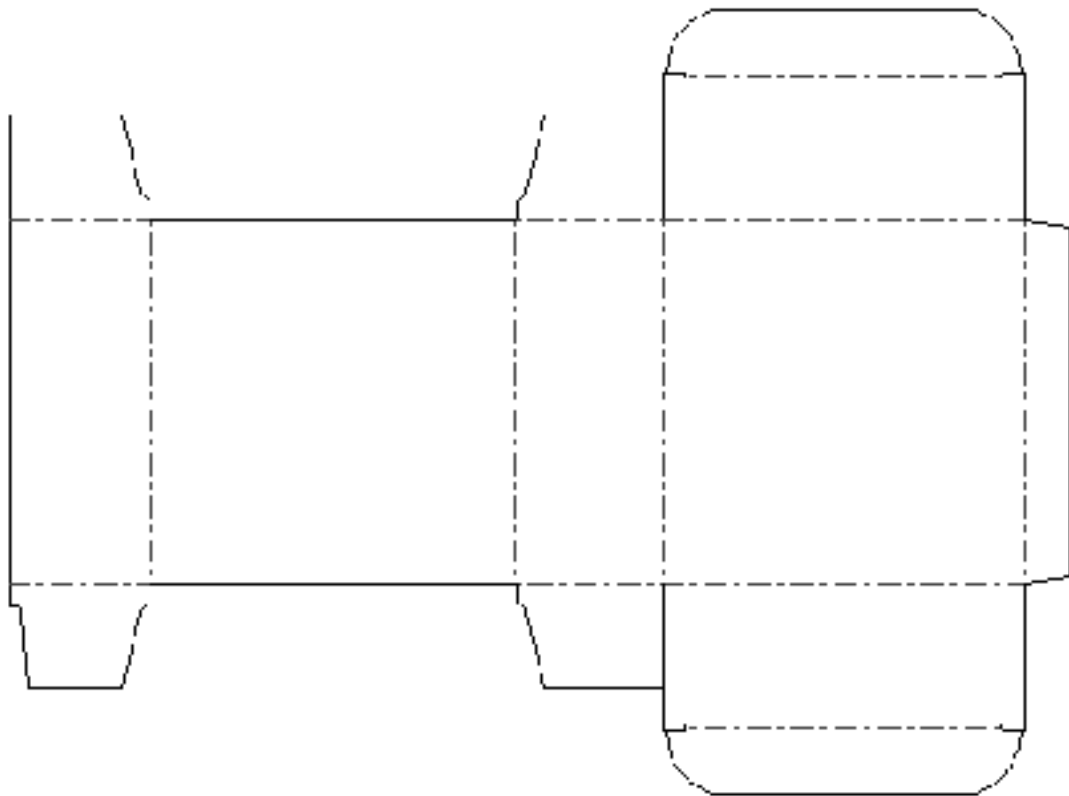


123.09.ARD - ST top tuck on 2nd



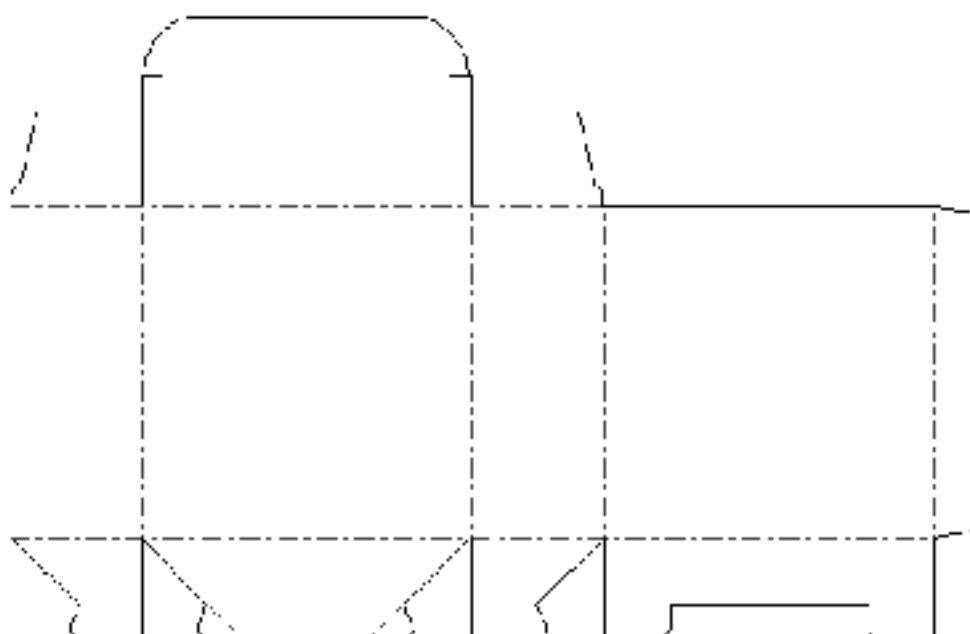
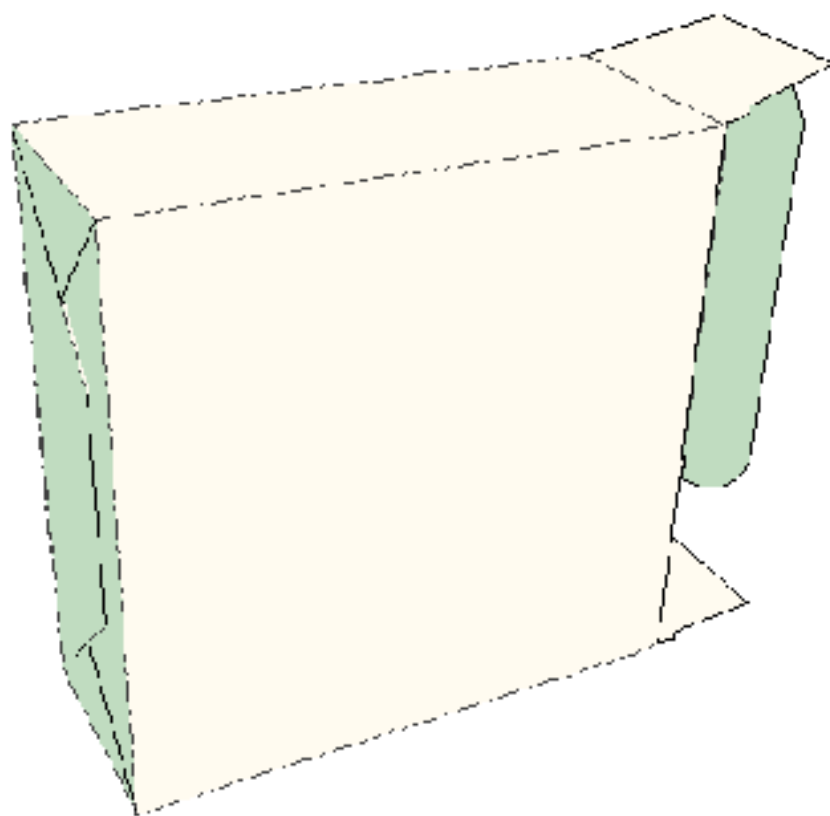
124.09.ARD - ST top tuck on 4th



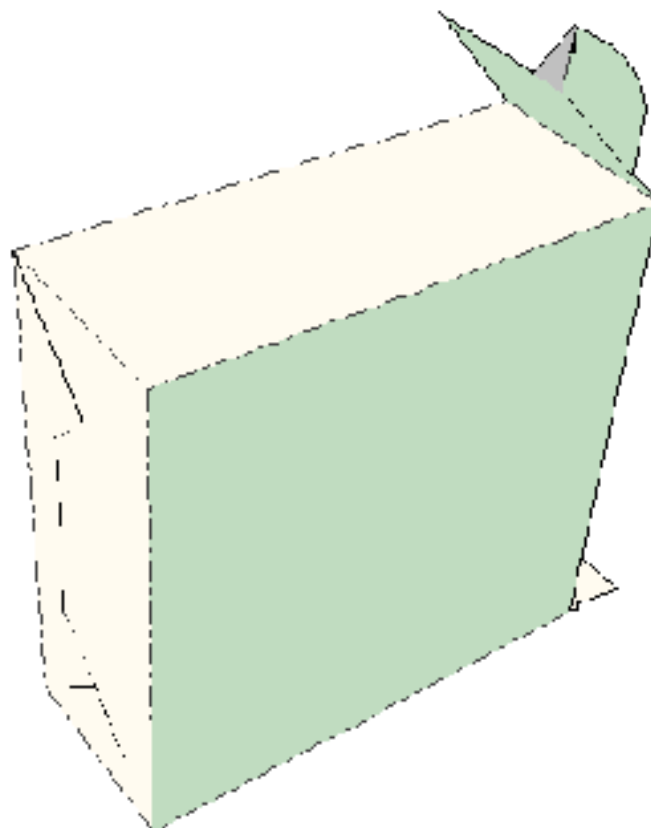


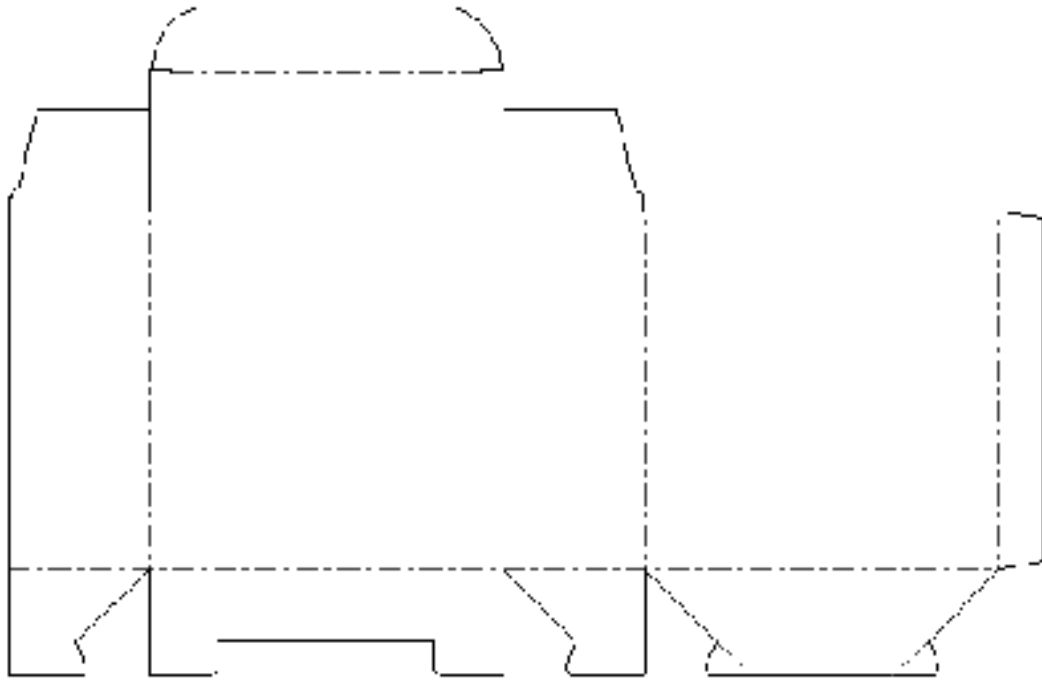
Standard slit lock top/Houghland bottom

141.12.ARD - Tuck on 2nd - tab on 2nd

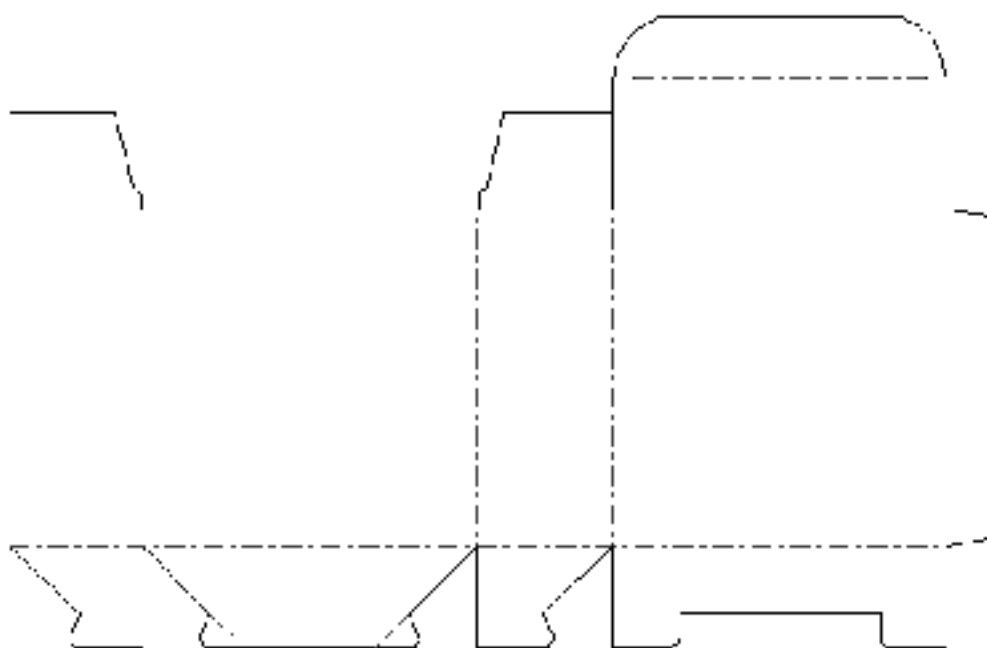
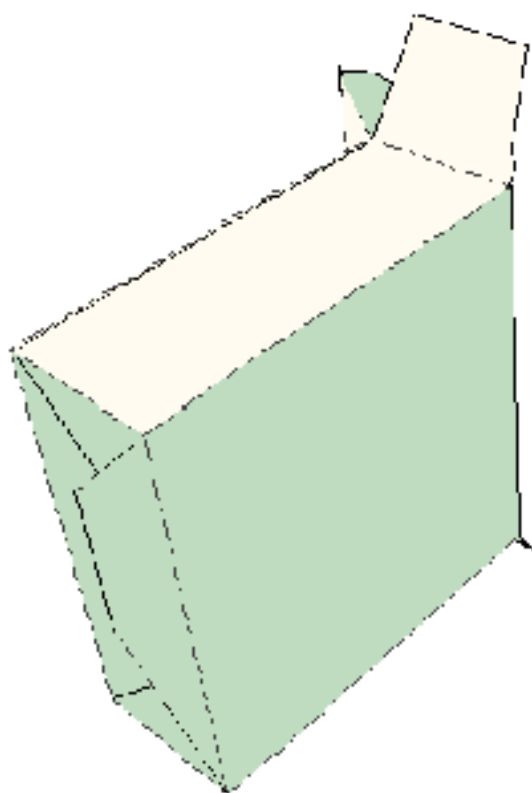


141.06.ARD - Tuck on 2nd - tab on 4th

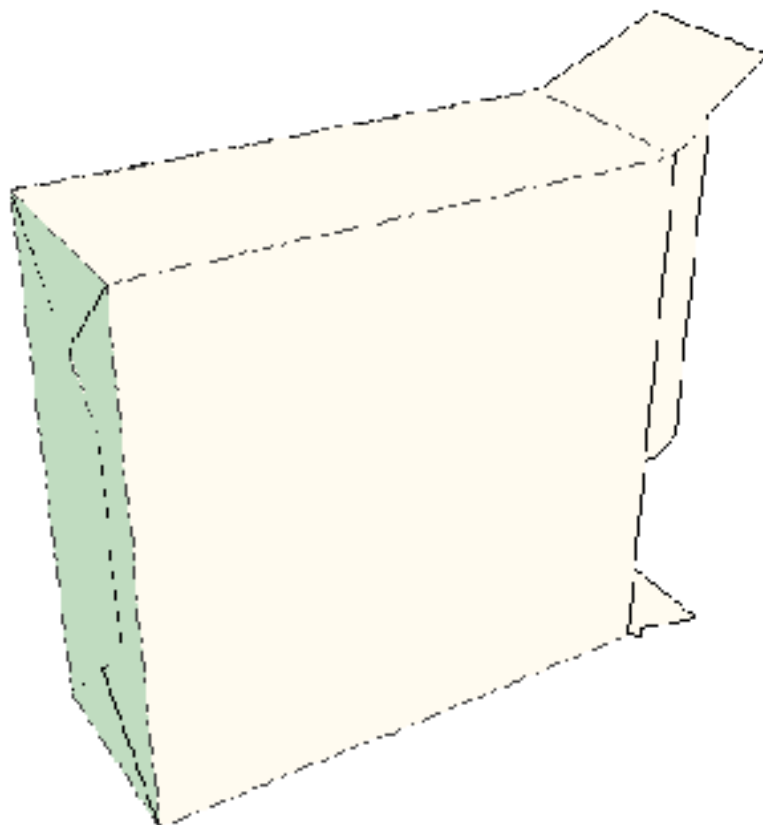


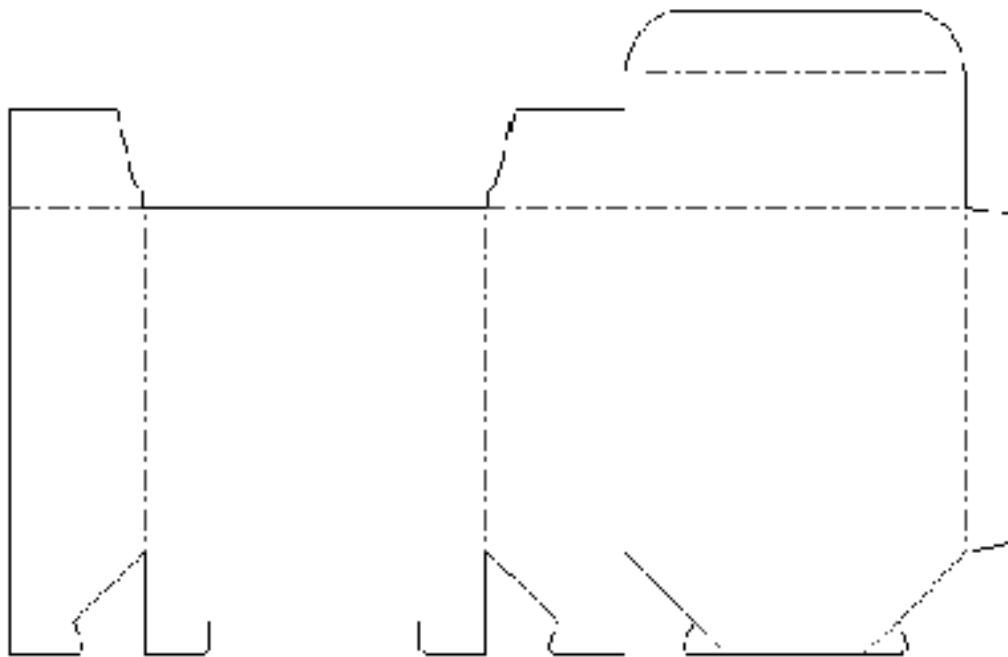


141.09.ARD - Tuck on 4th - tab on 2nd



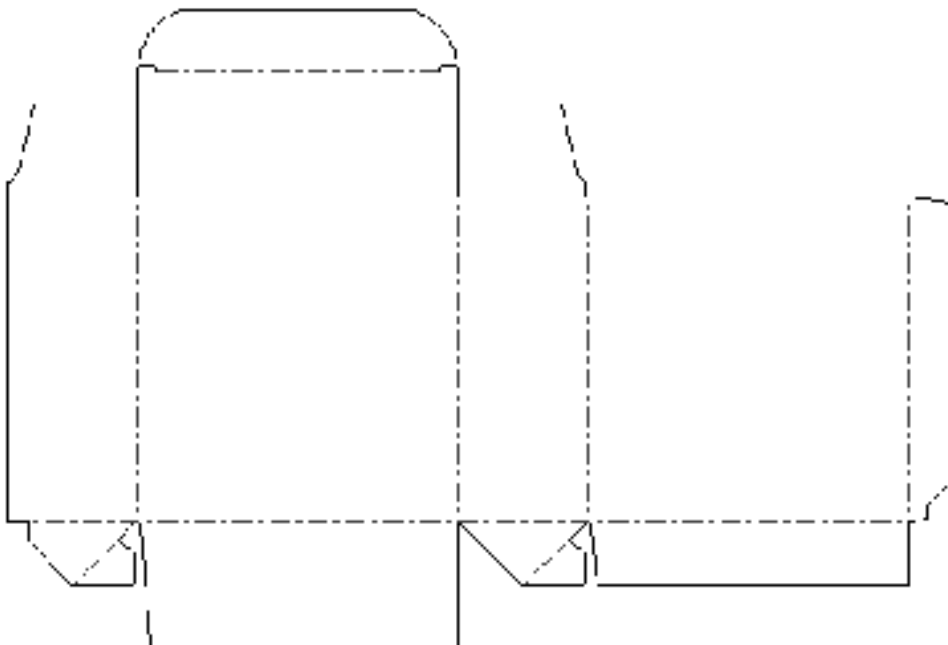
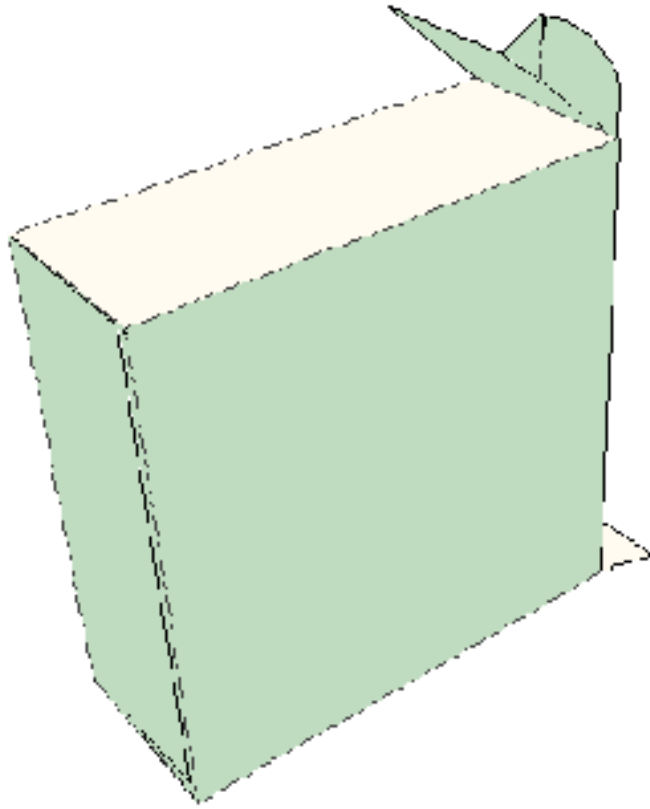
141.03.ARD - Tuck on 4th - tab on 4th



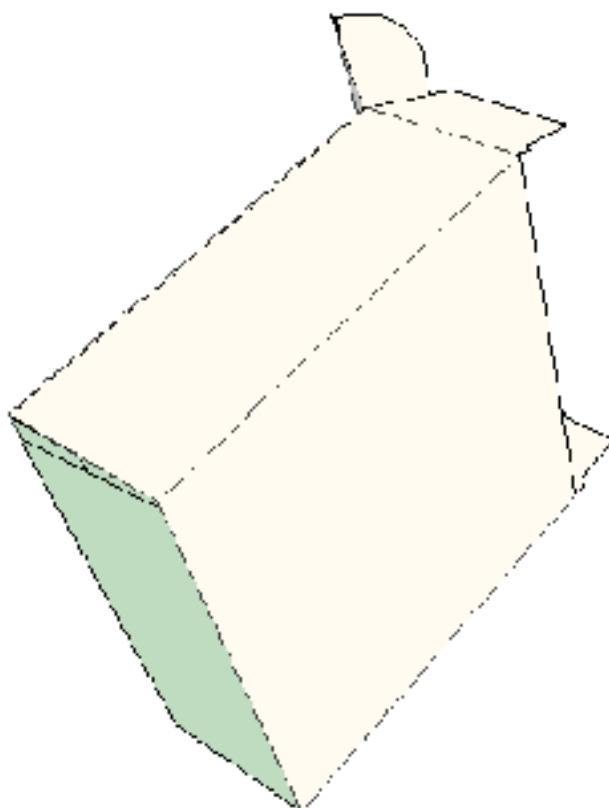


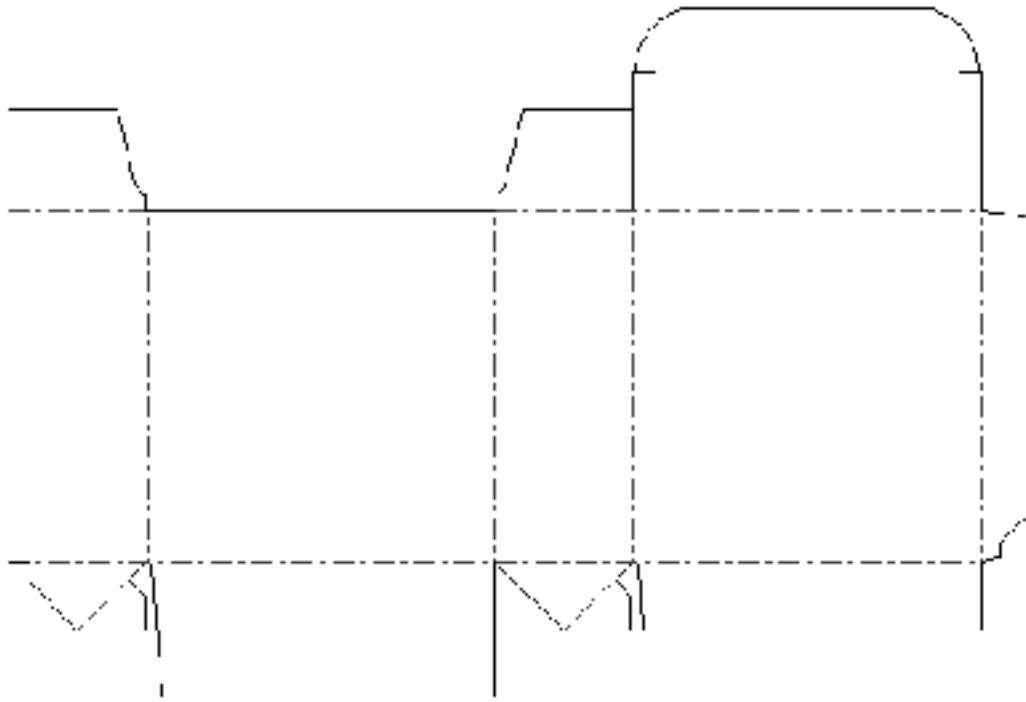
Standard slit lock top/Full flap auto bottom

151.06.ARD - Tuck on 2nd



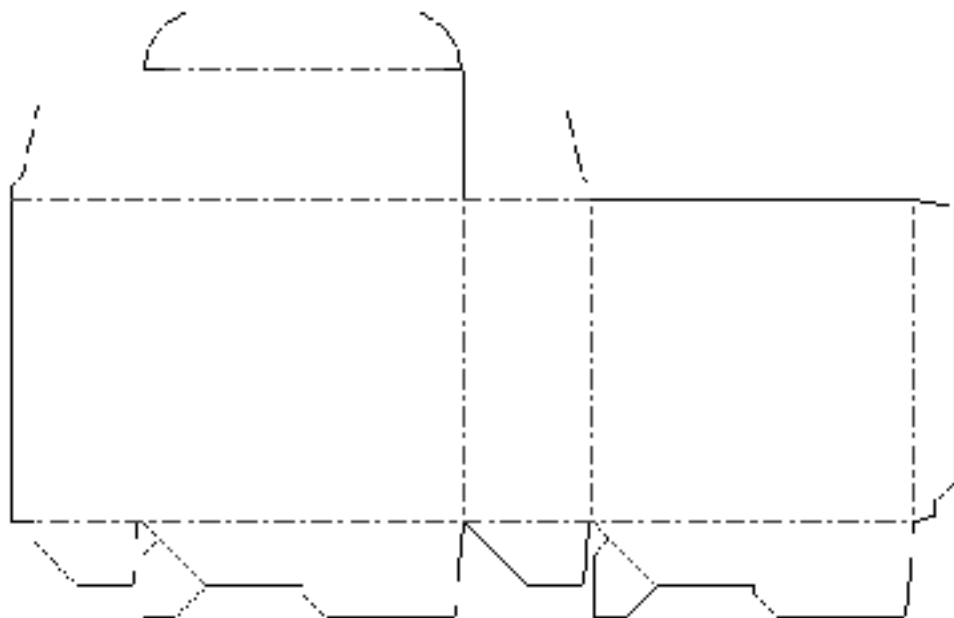
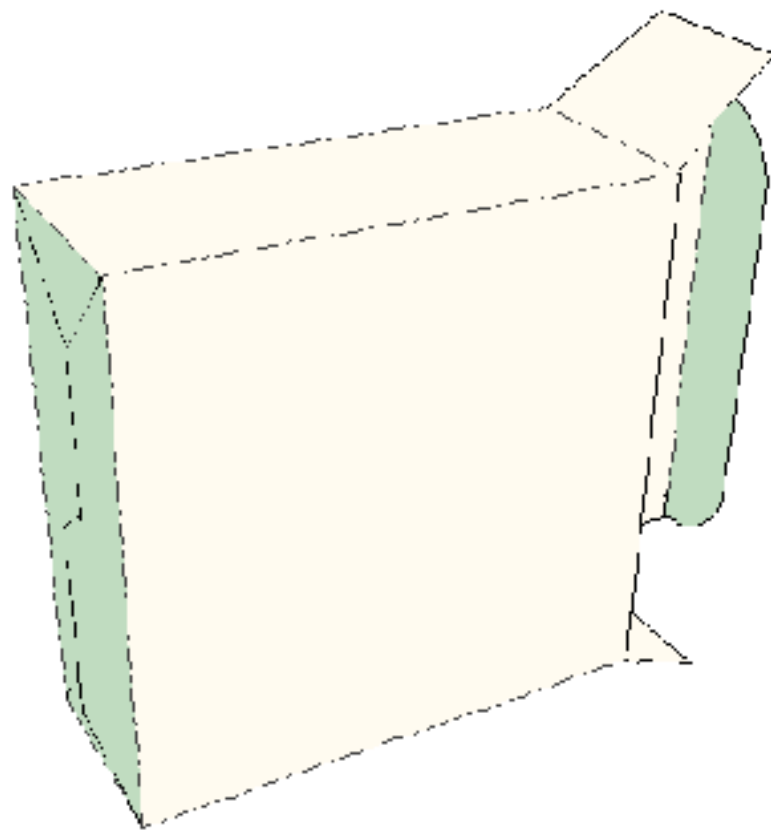
151.03.ARD - Tuck on 4th

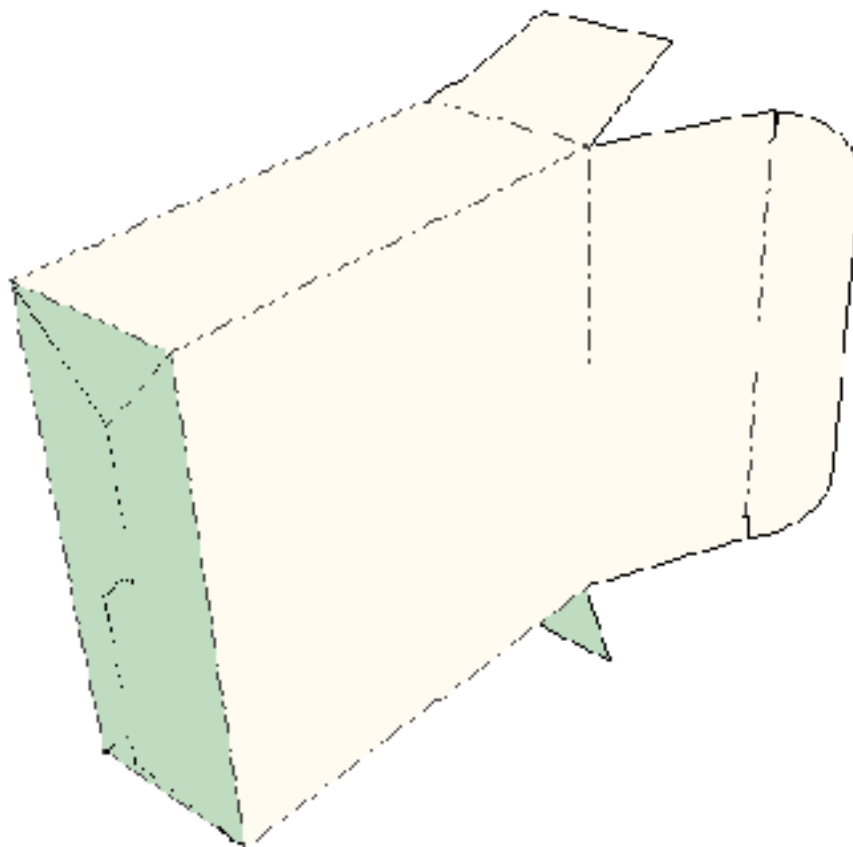


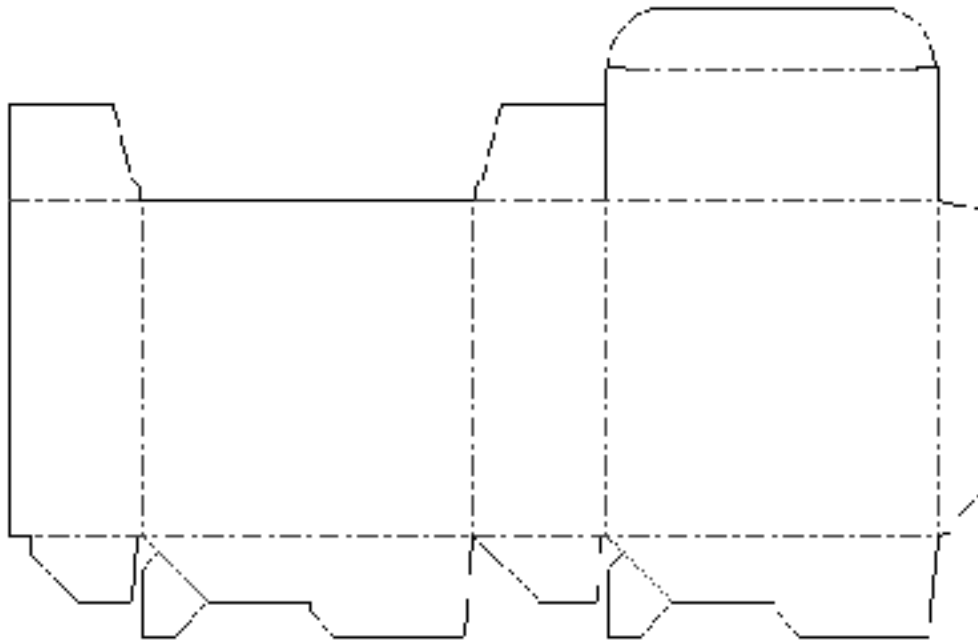


Standard slit lock top/Inturn auto bottom

152.06.ARD - Tuck top on 2nd panel

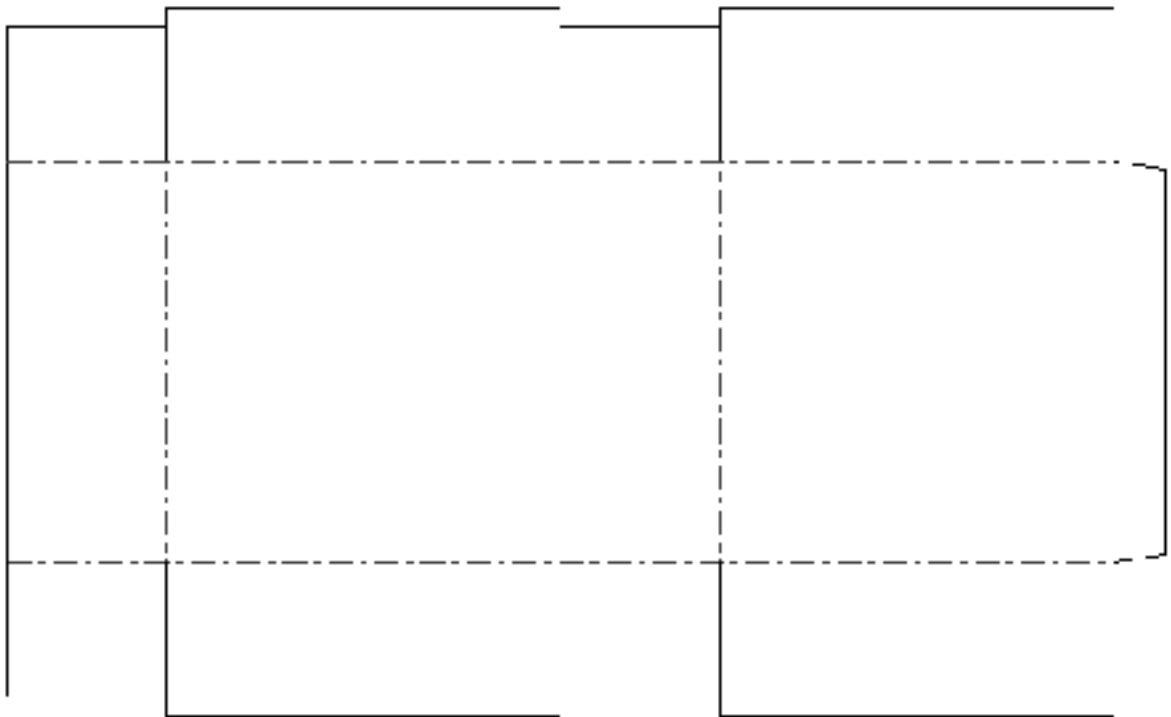
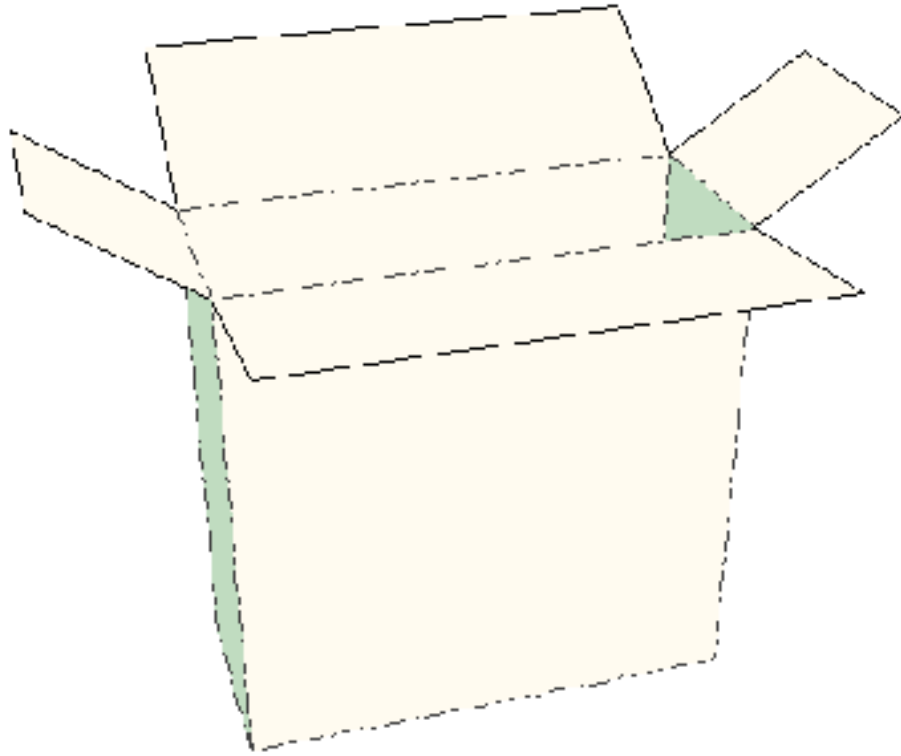


152.03.ARD - Tuck top on 4th panel

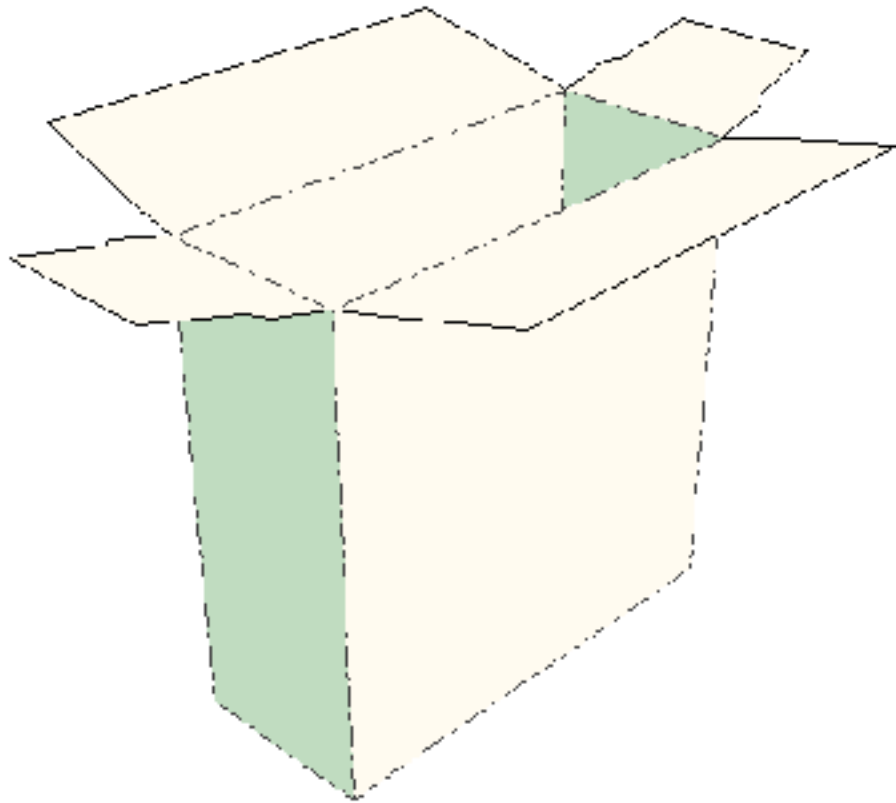


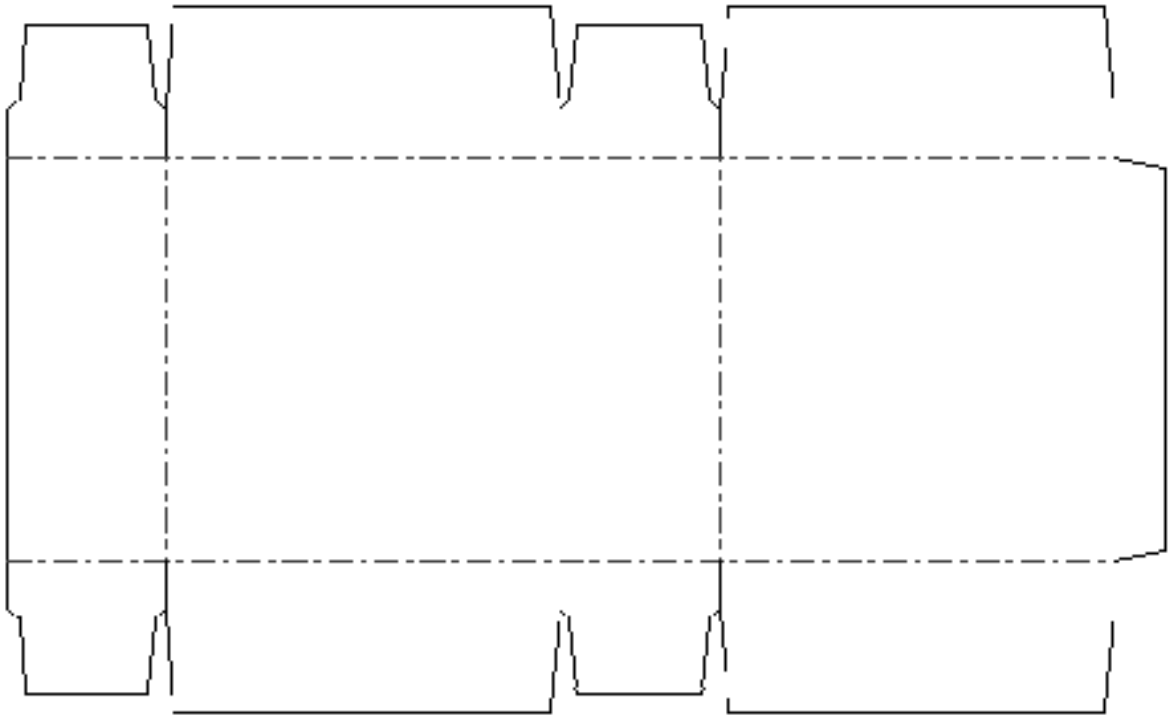
Partial/full overlap seal ends

131.01.ARD - Flap style #1

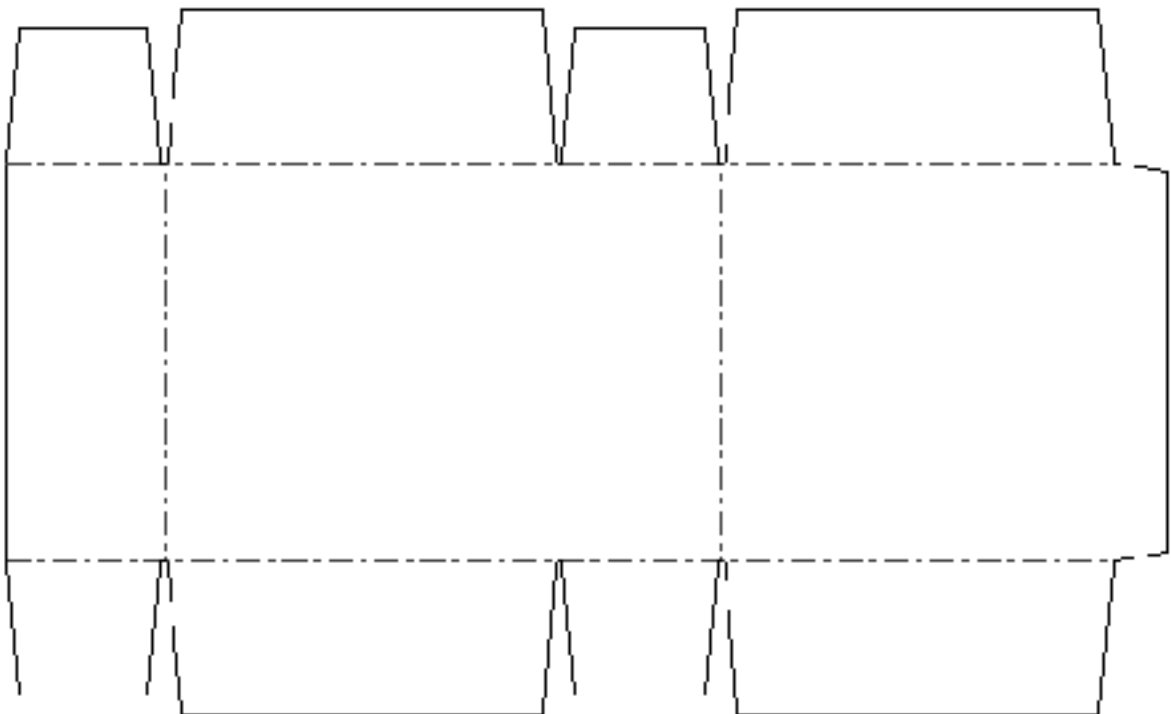
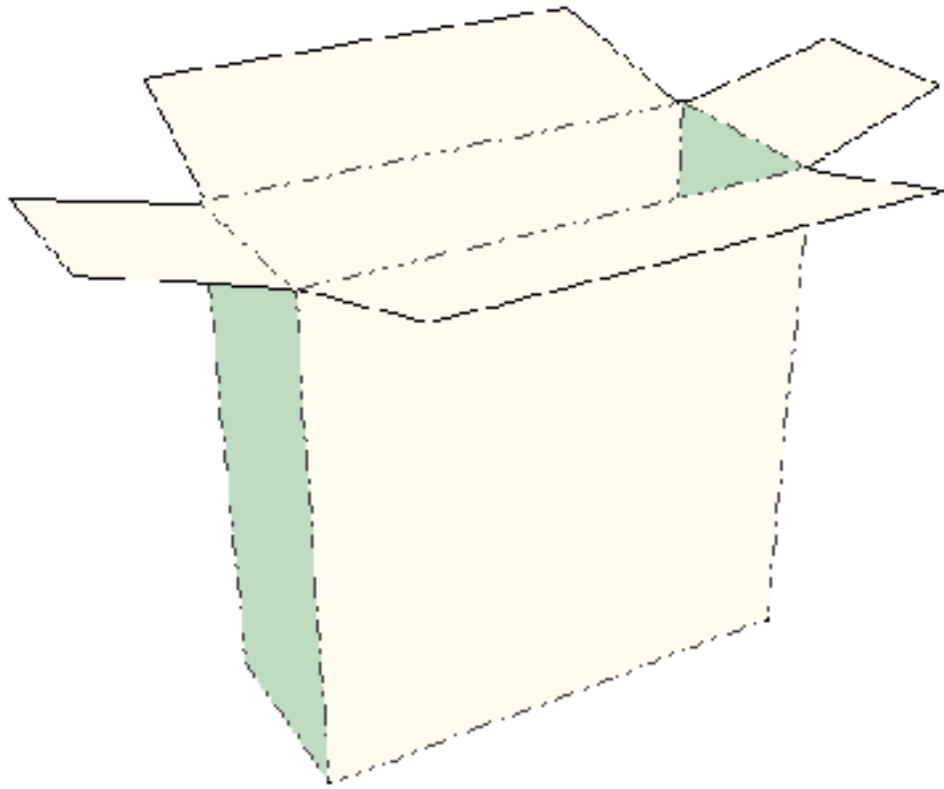


131.04.ARD - Flap style #2

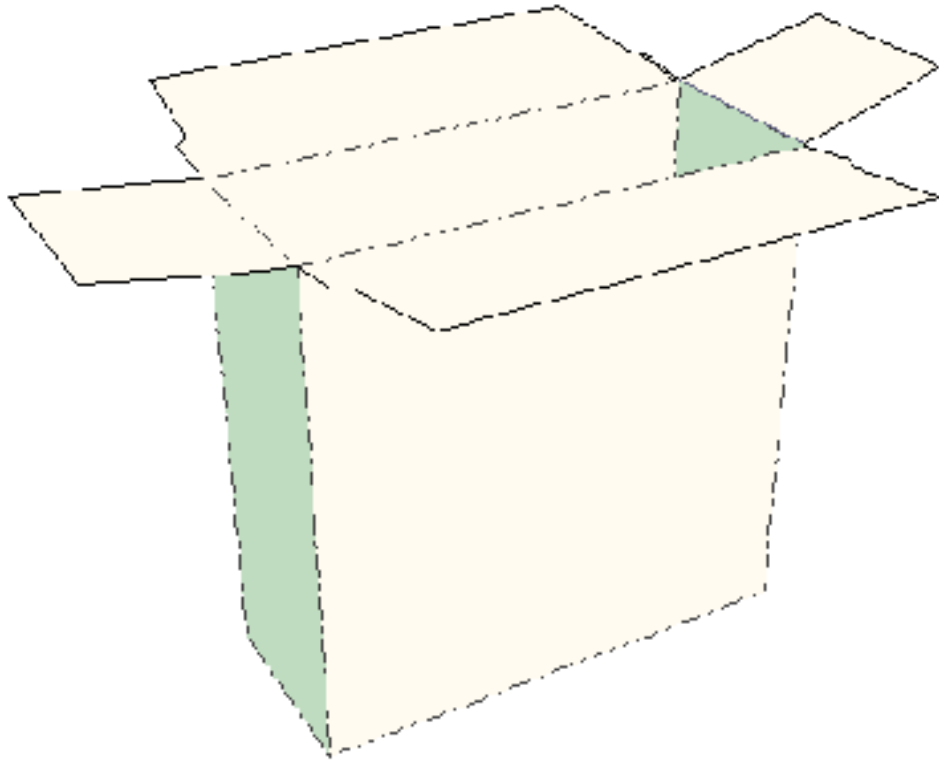


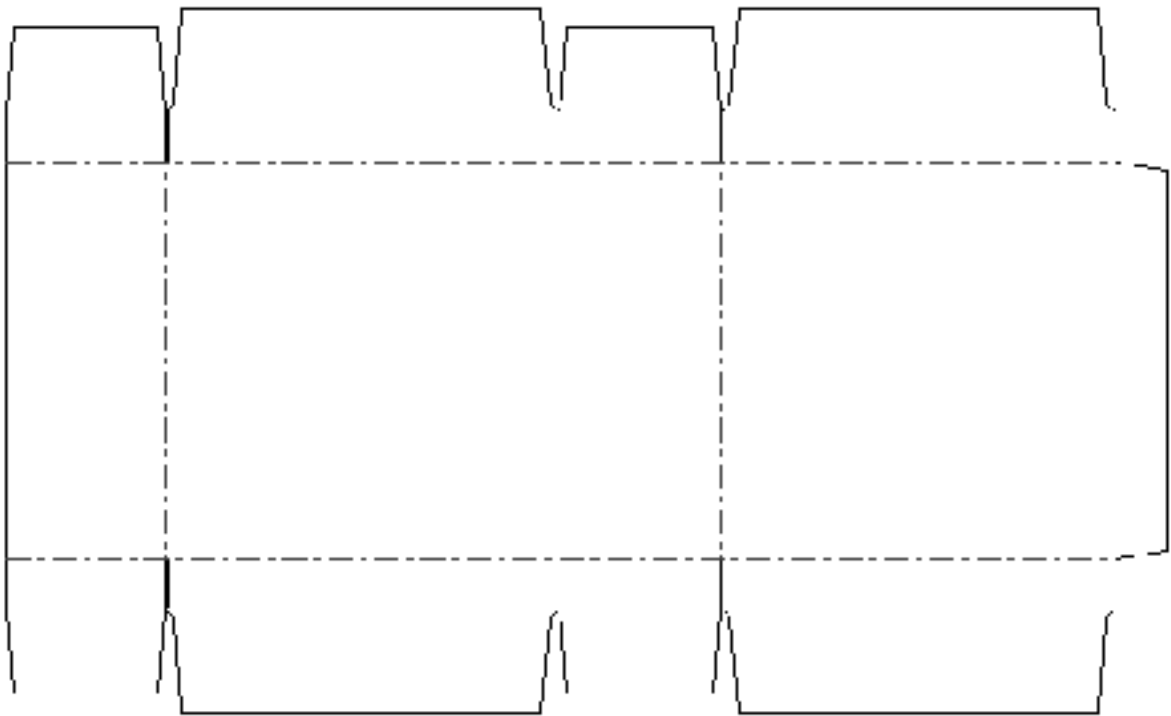


131.05.ARD - Flap style #3

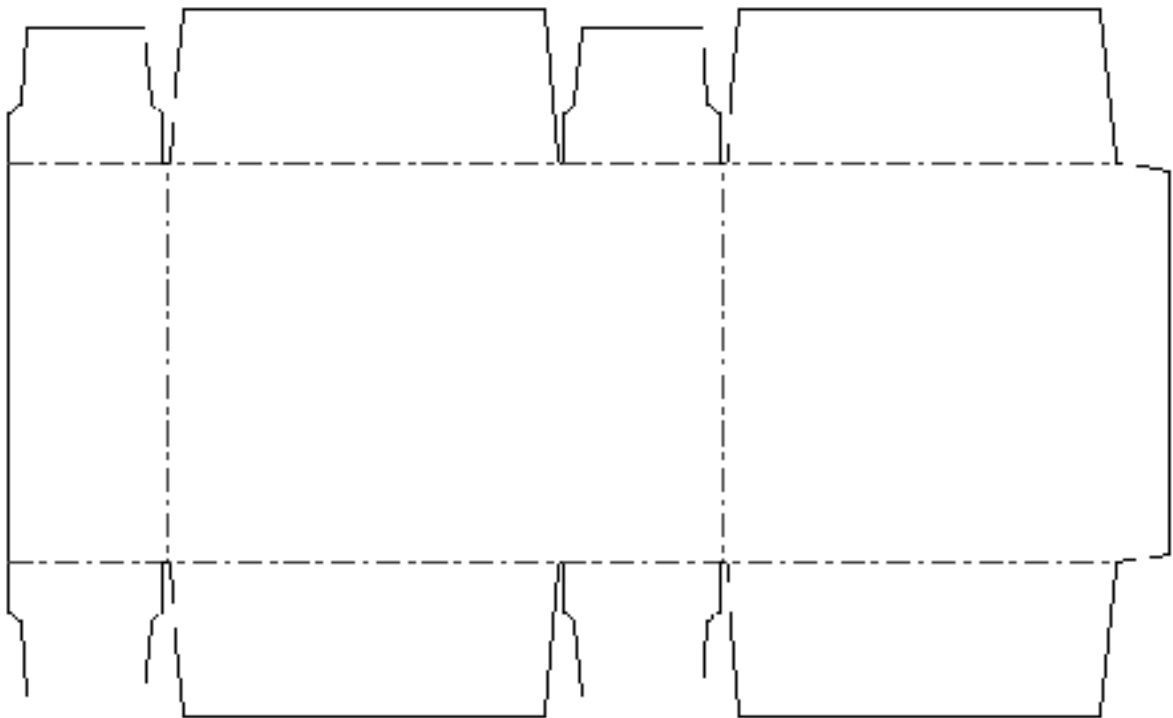
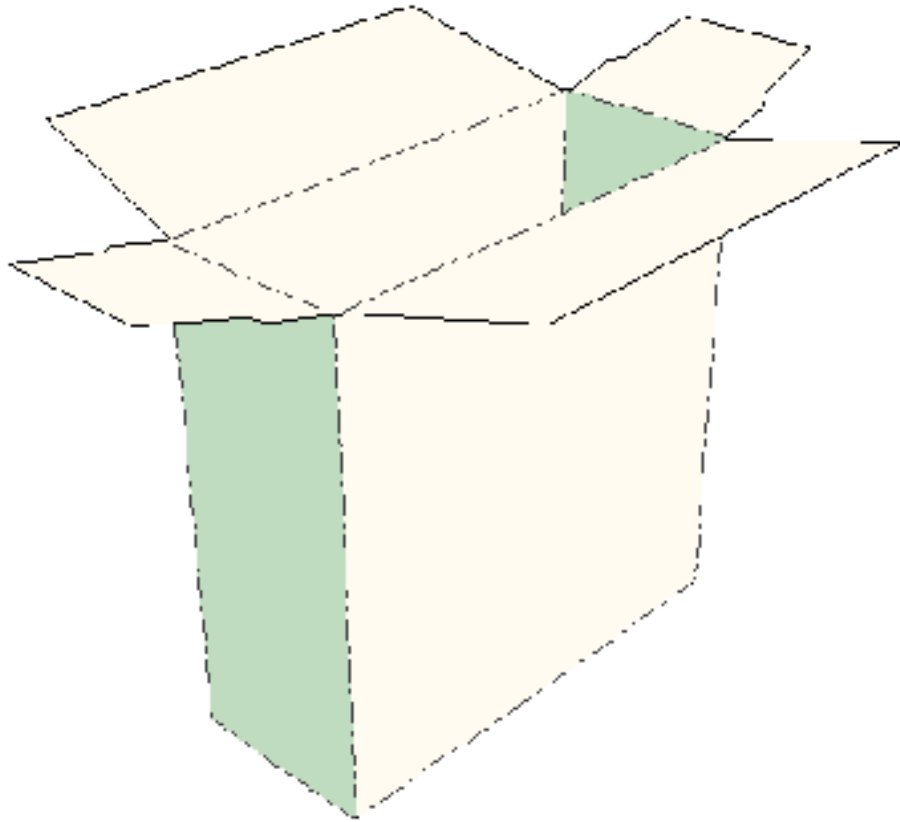


131.06.ARD - Flap style #4



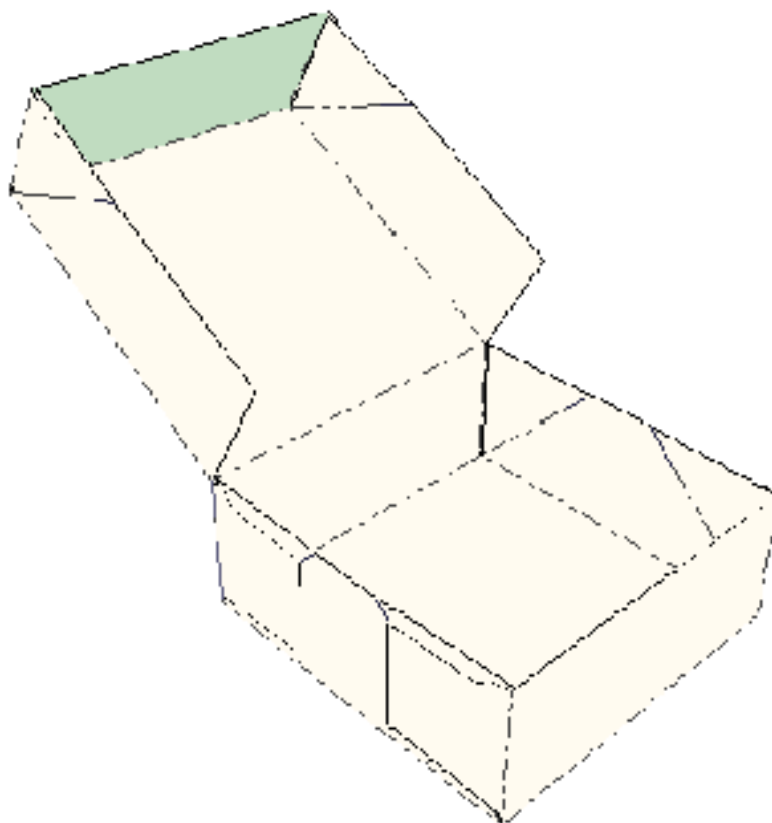


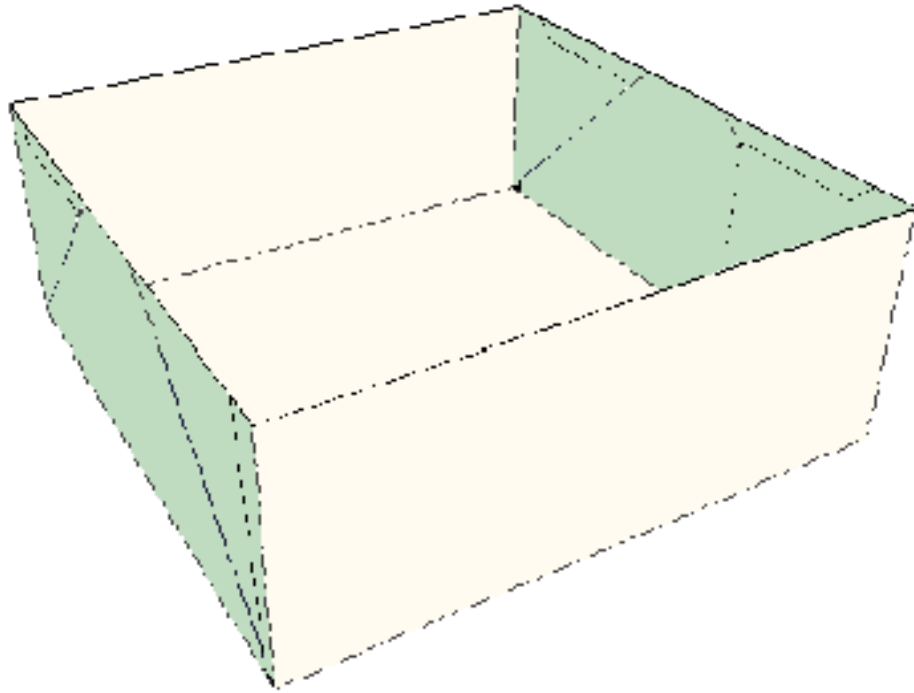
131.07.ARD - Flap style #5

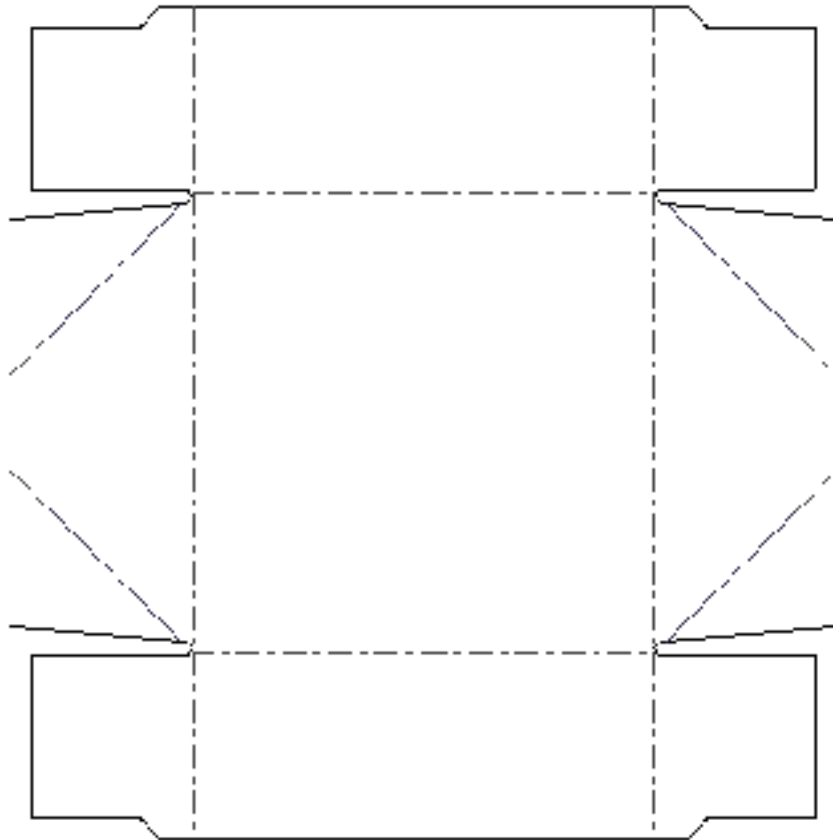


Trays/Beers

222.05.ARD - 6 corner

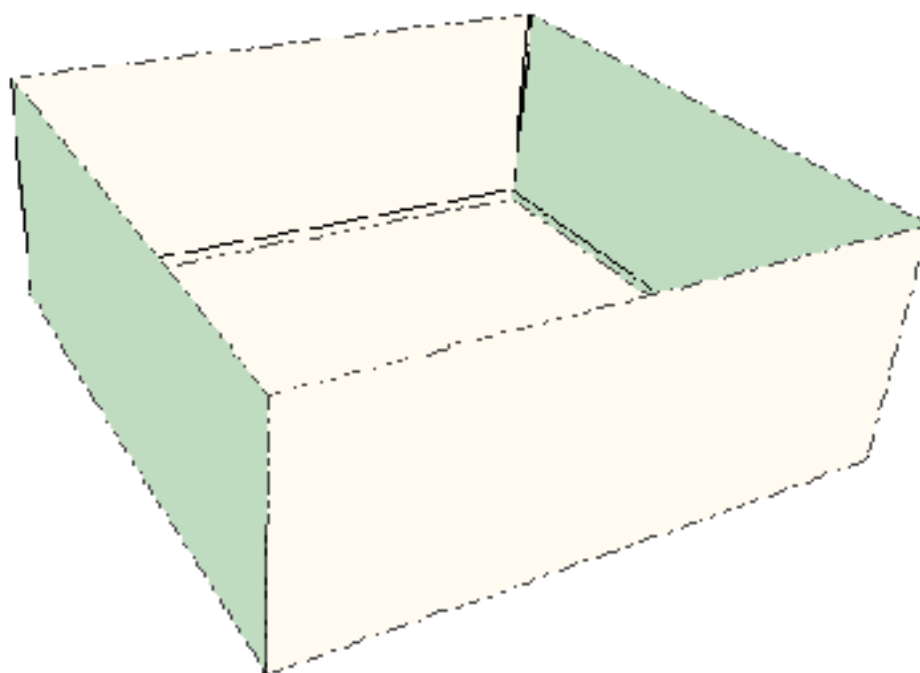


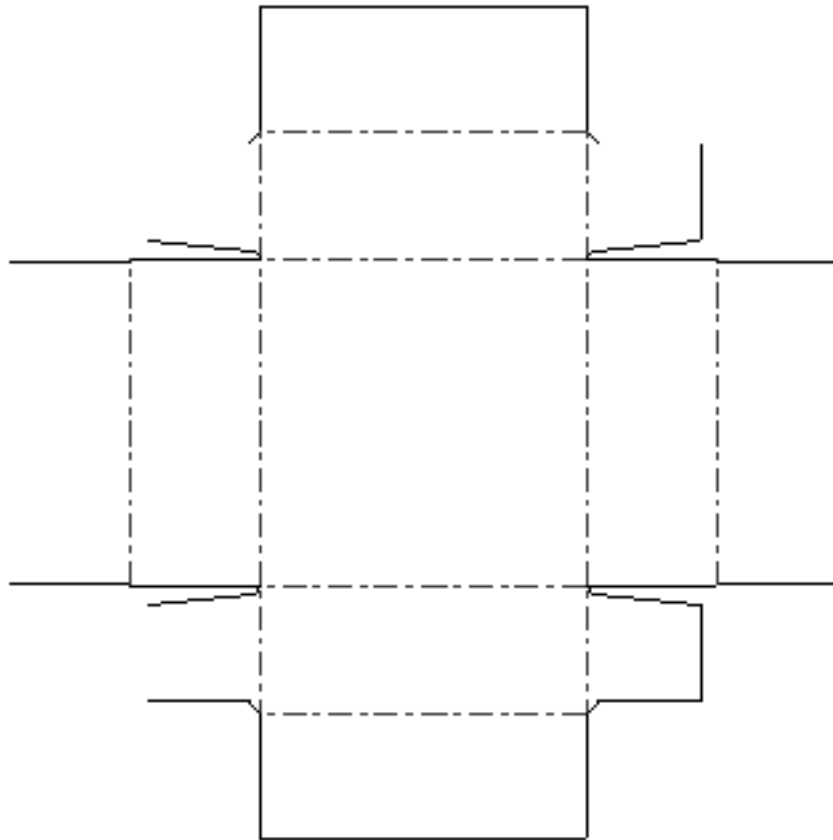




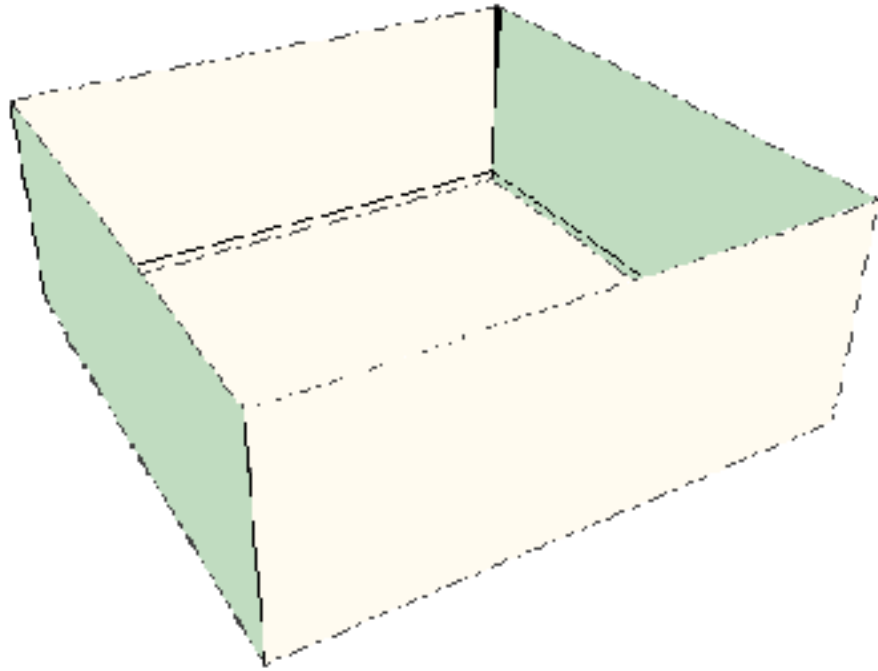
Trays/Brightwoods

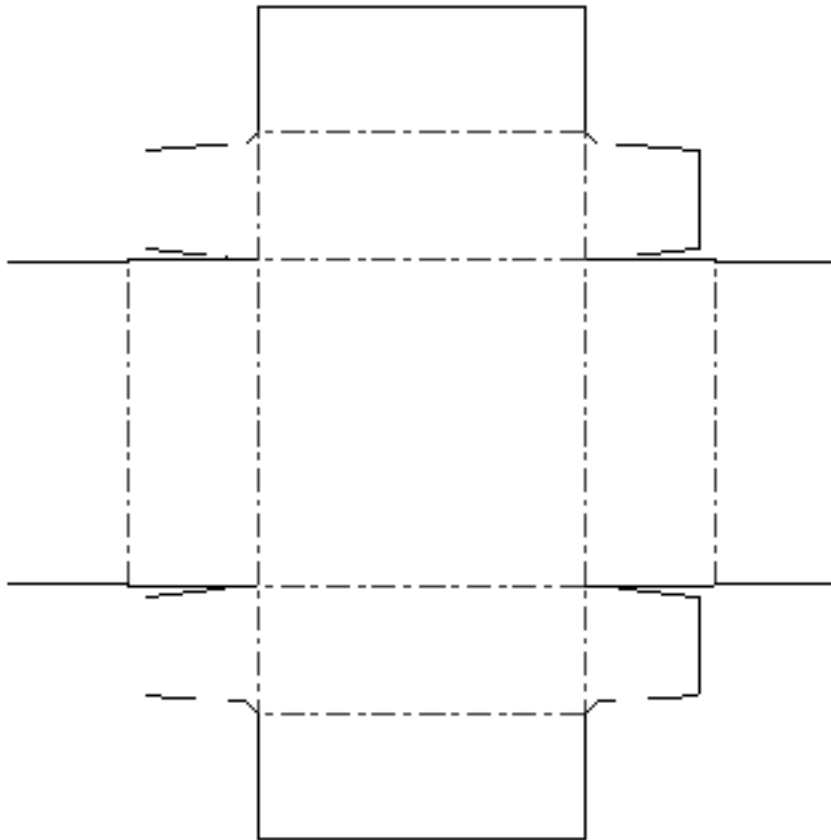
261.01.ARD - Double sidewall/Double endwall - Flap style #1



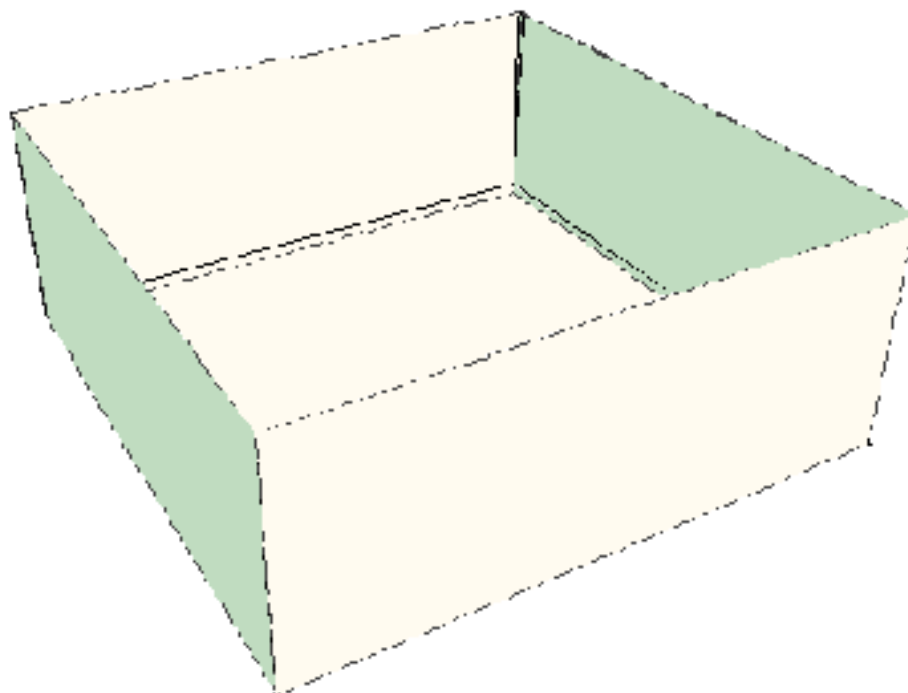


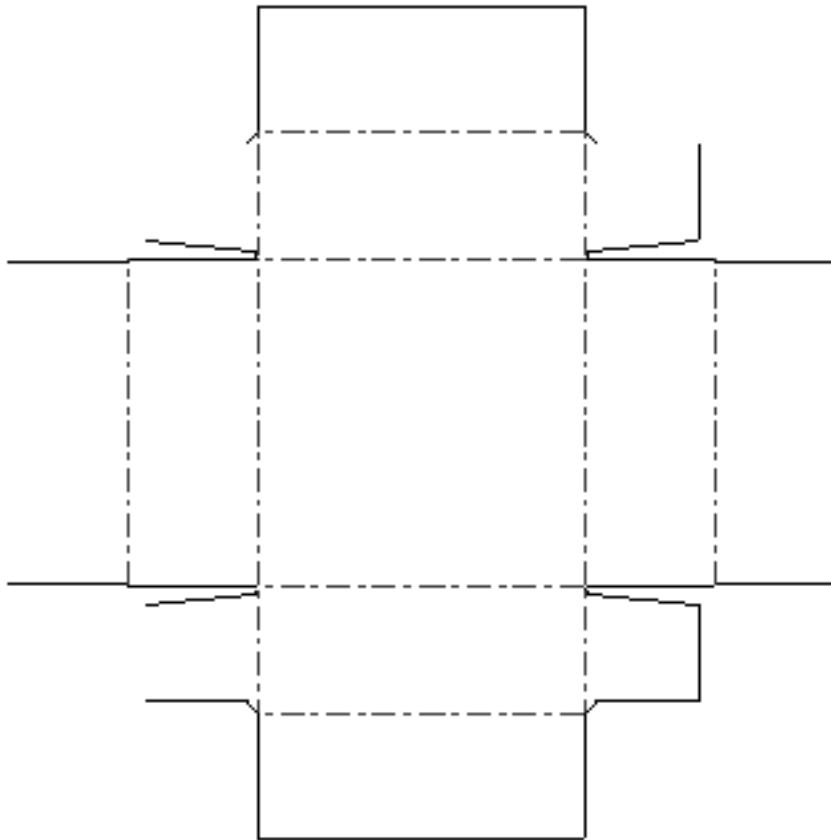
261.02.ARD - Double sidewall/Double endwall/Flap style #2



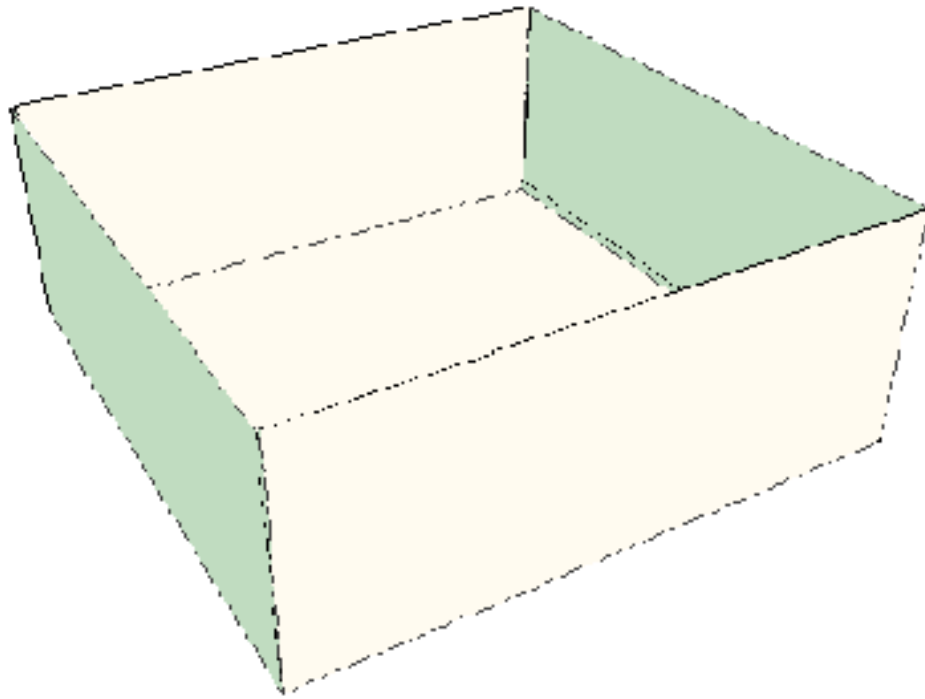


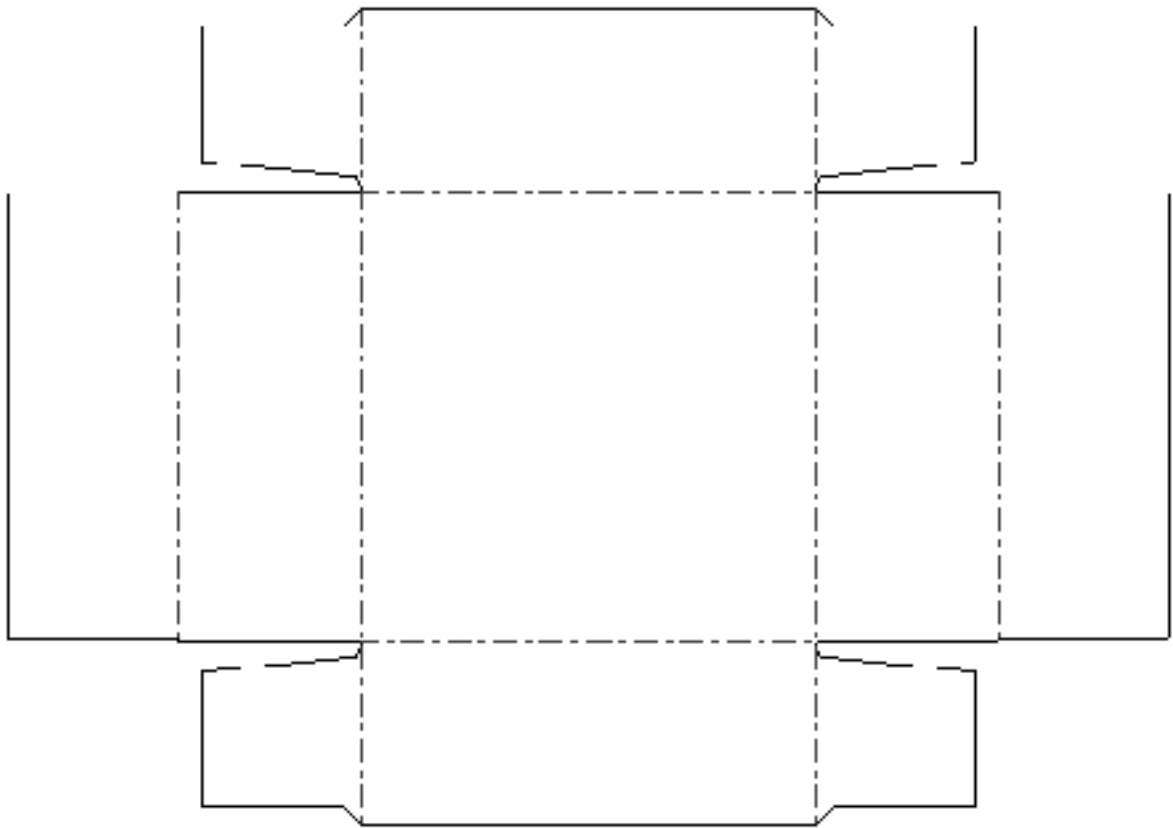
261.03.ARD - Double sidewall/Double endwall/Flap style #3



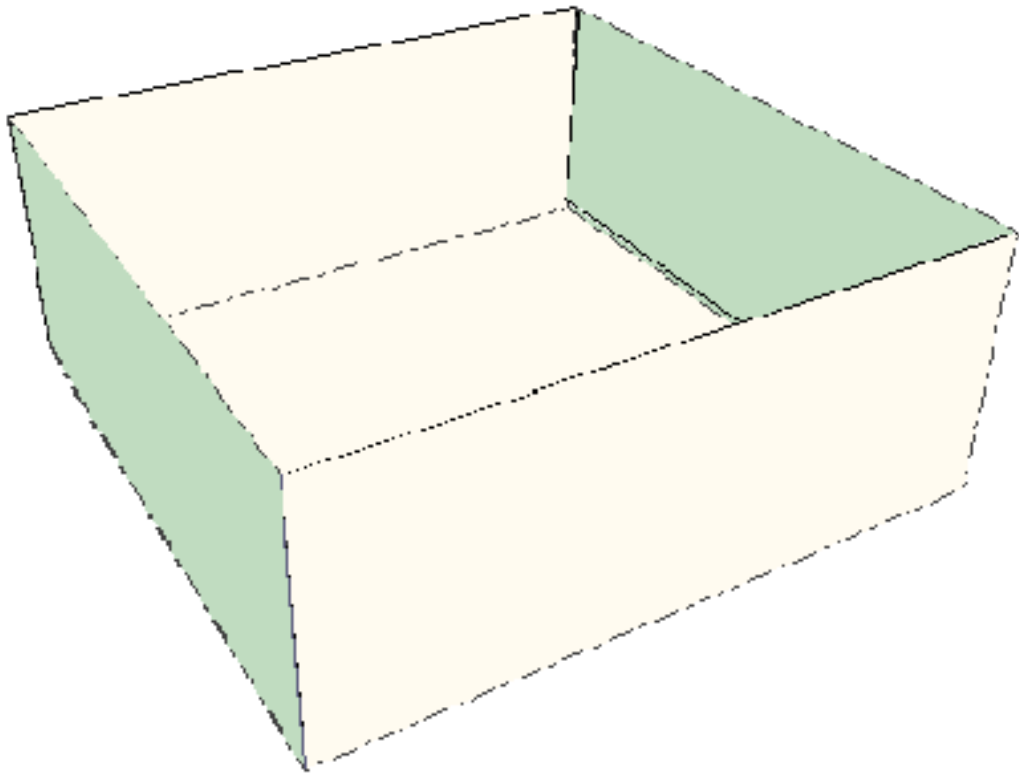


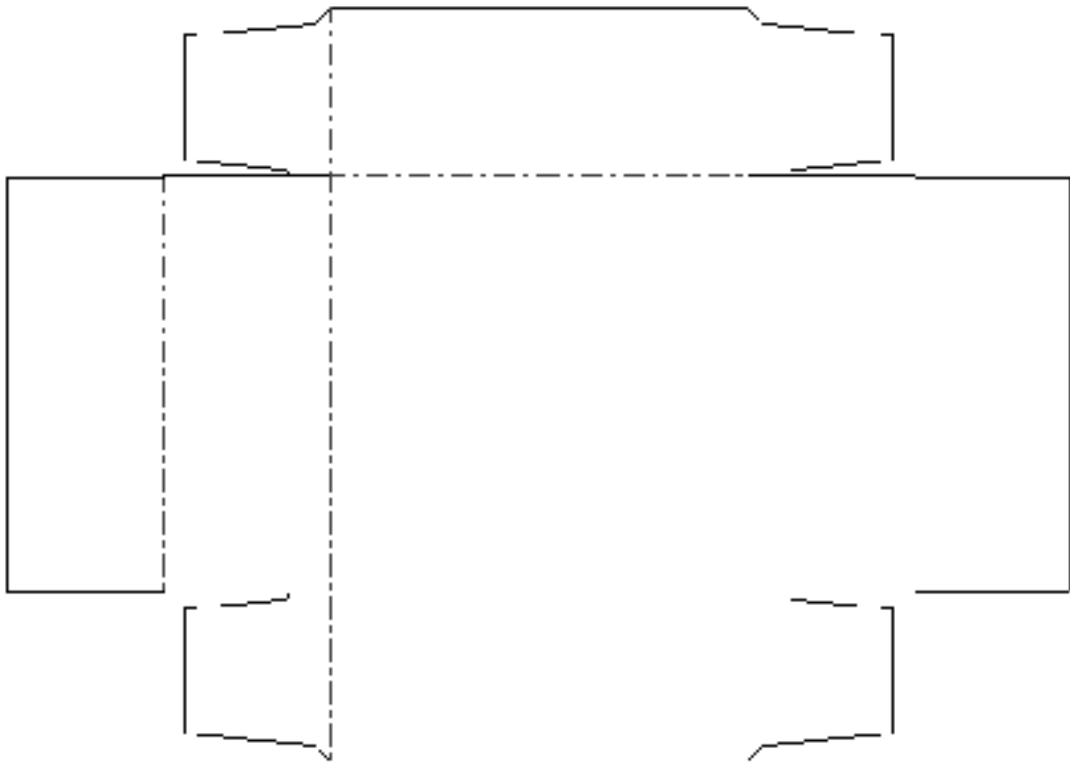
241.01.ARD - Single sidewall/Double endwall/Flap style #1



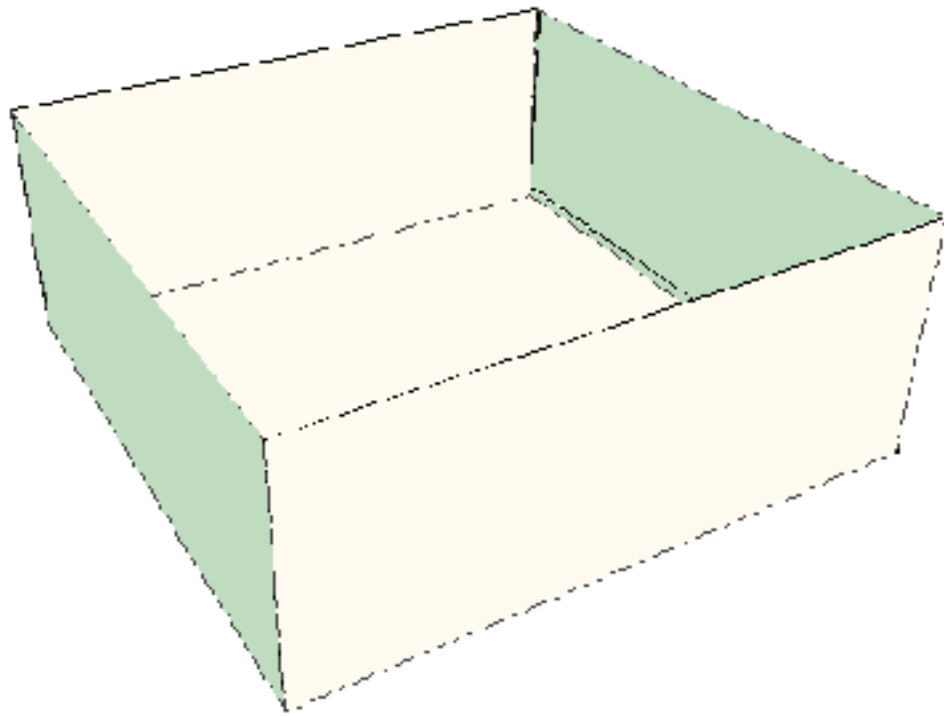


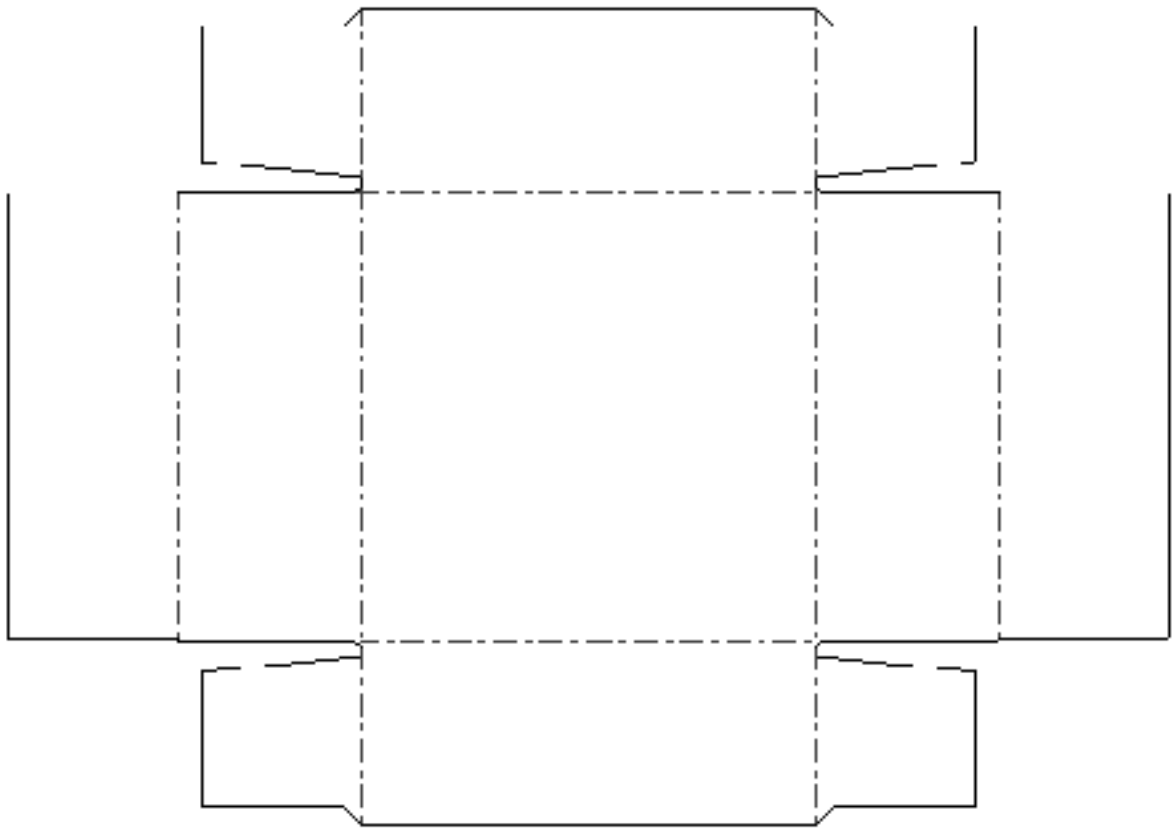
241.02.ARD - Single sidewall/Double endwall/Flap style #2



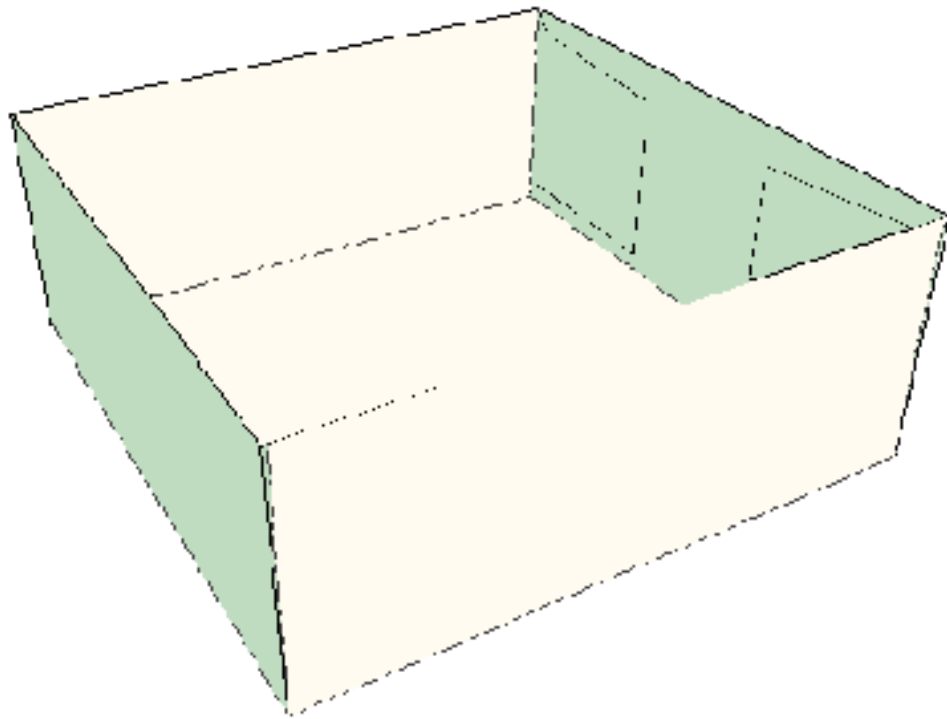


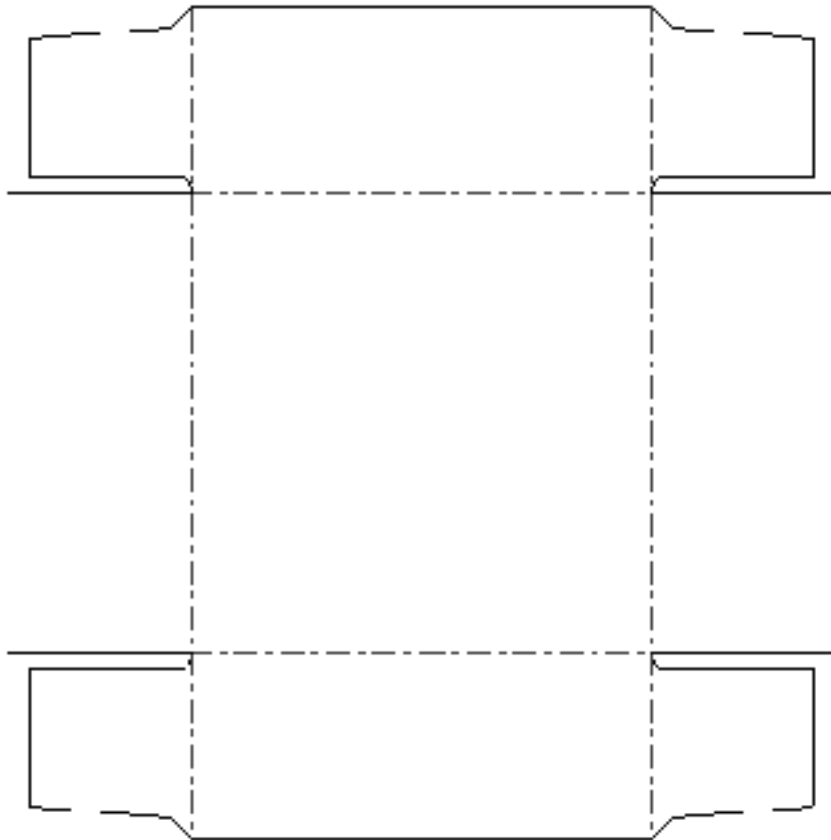
241.03.ARD - Single sidewall/Double endwall/Flap style #3



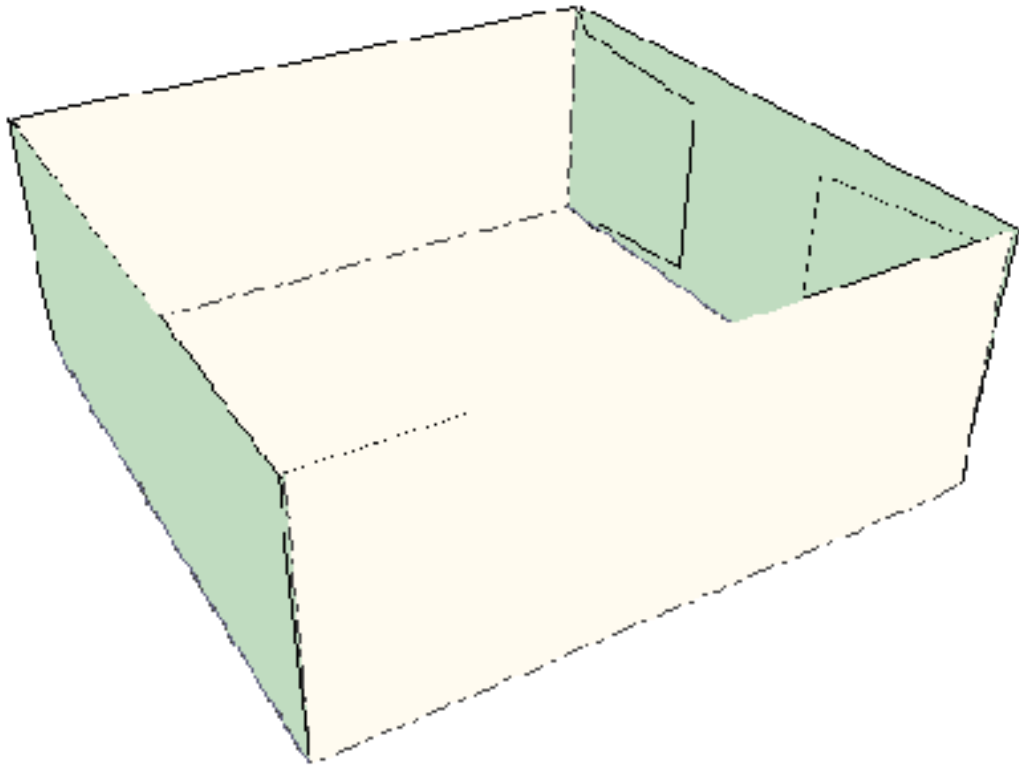


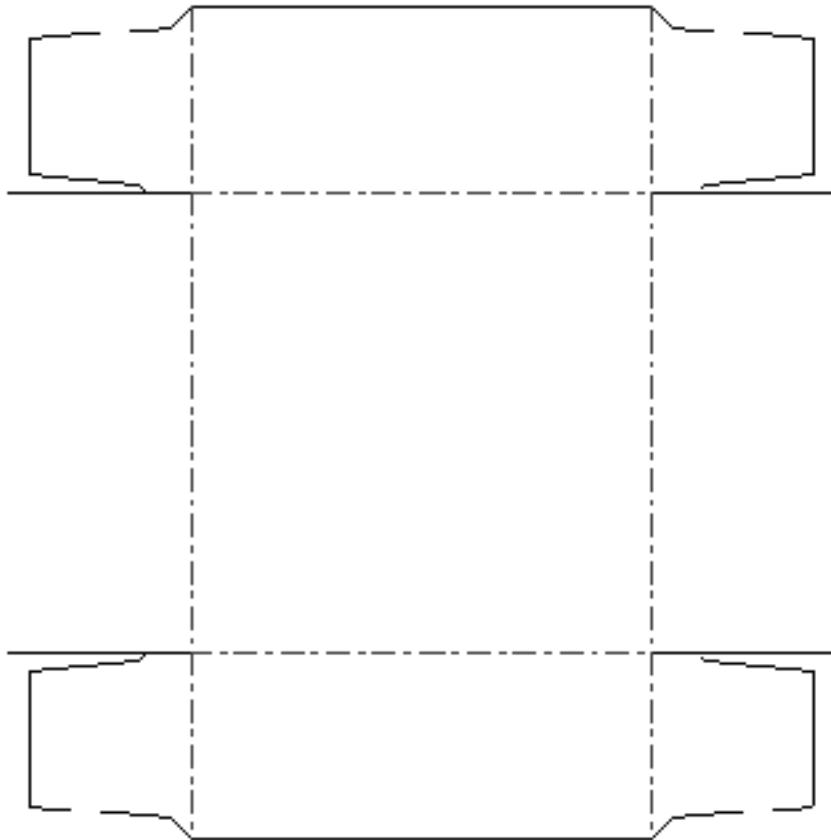
221.01.ARD - Single sidewall/Single endwall/Flap style #1



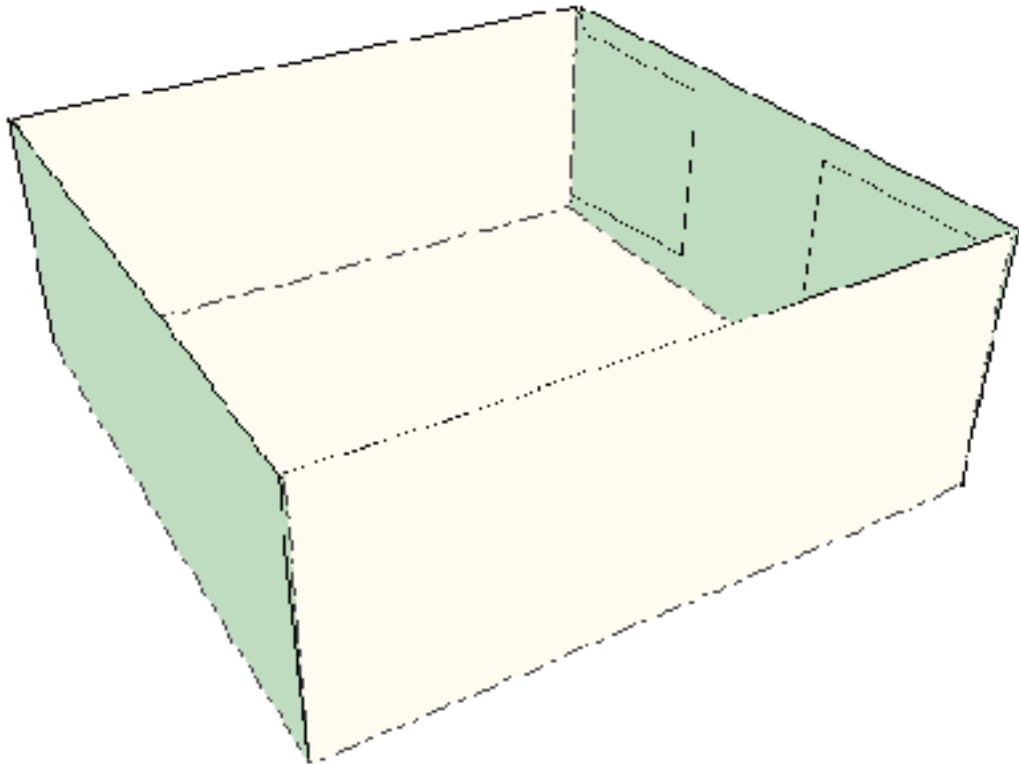


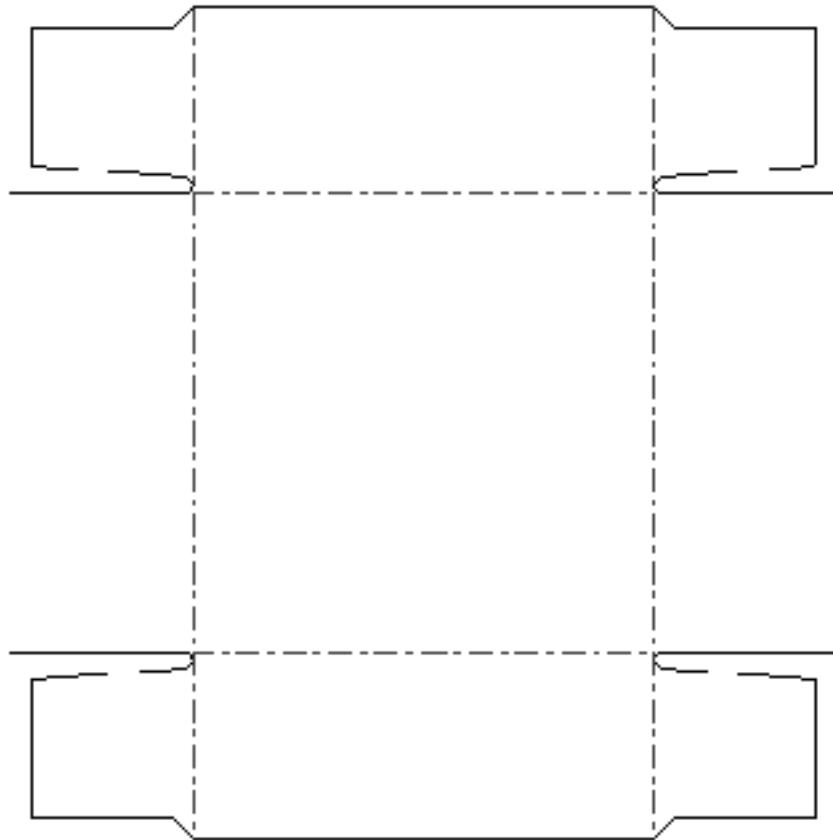
221.03.ARD - Single sidewall/Single endwall/Flap style #2





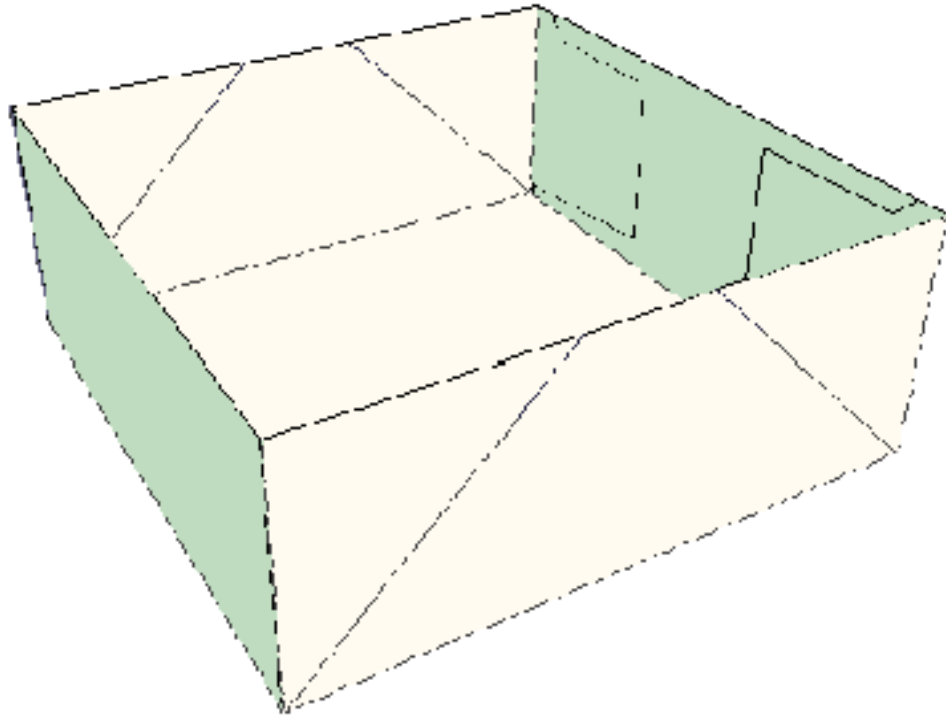
221.05.ARD - Single sidewall/Single endwall/Flap style #3

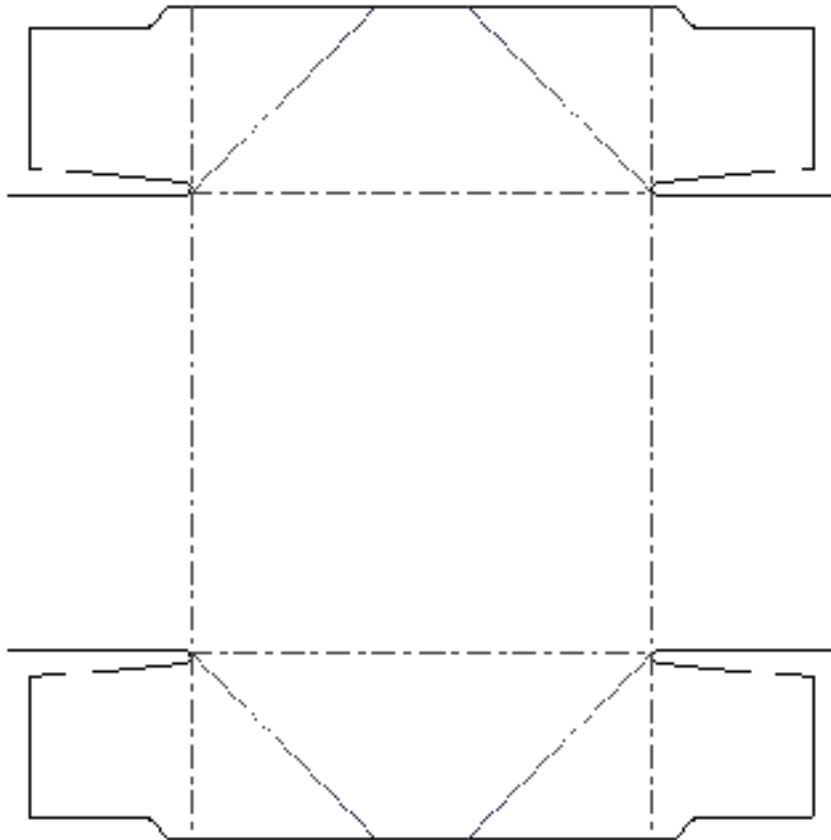




Trays/Infold-Outfold

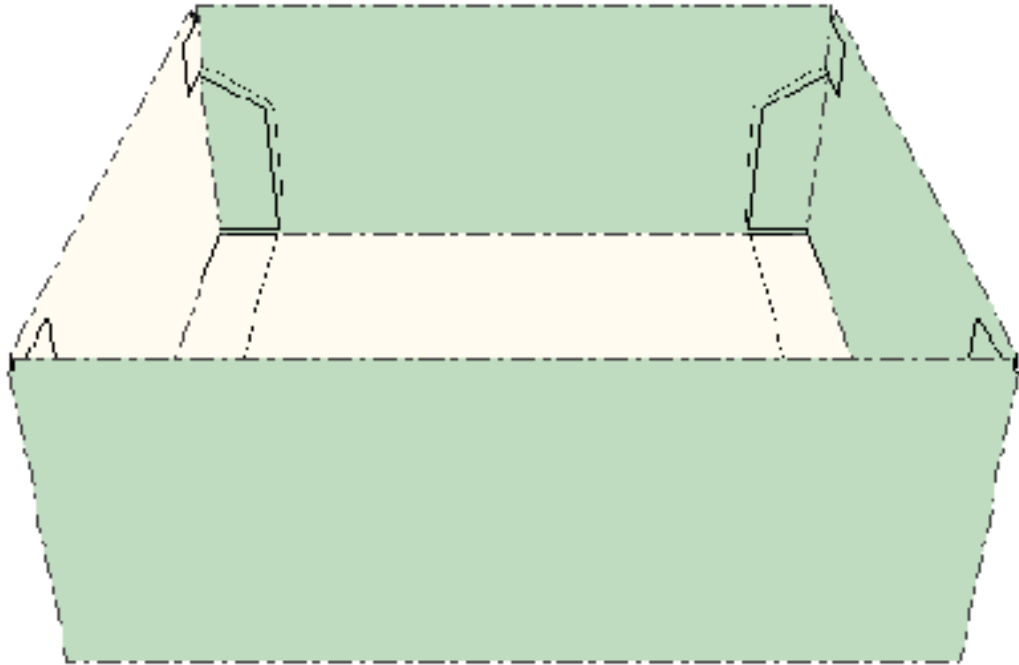
223.02.ARD - Infold/Outfold

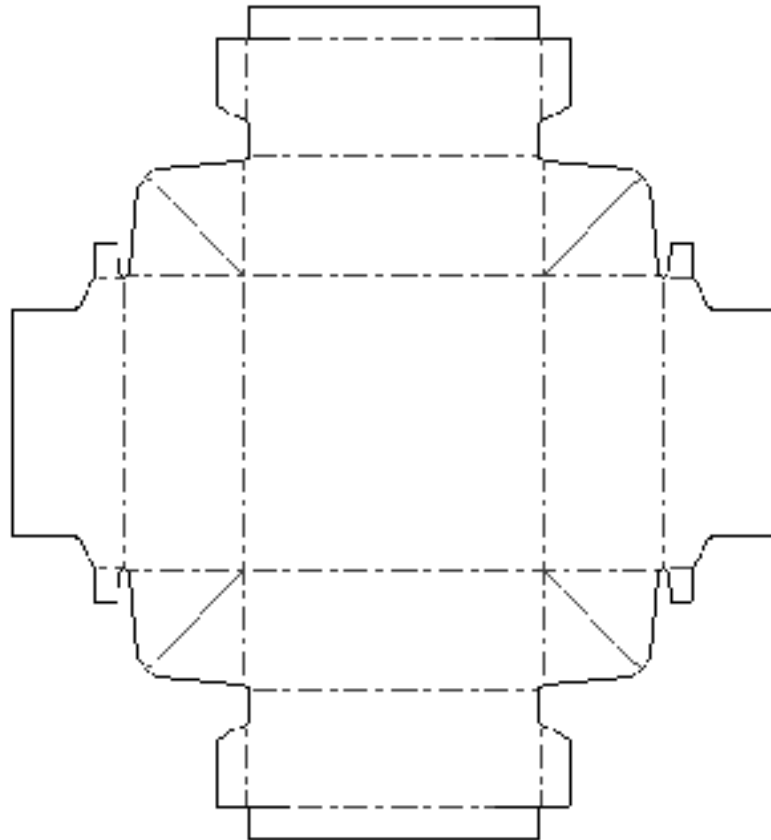




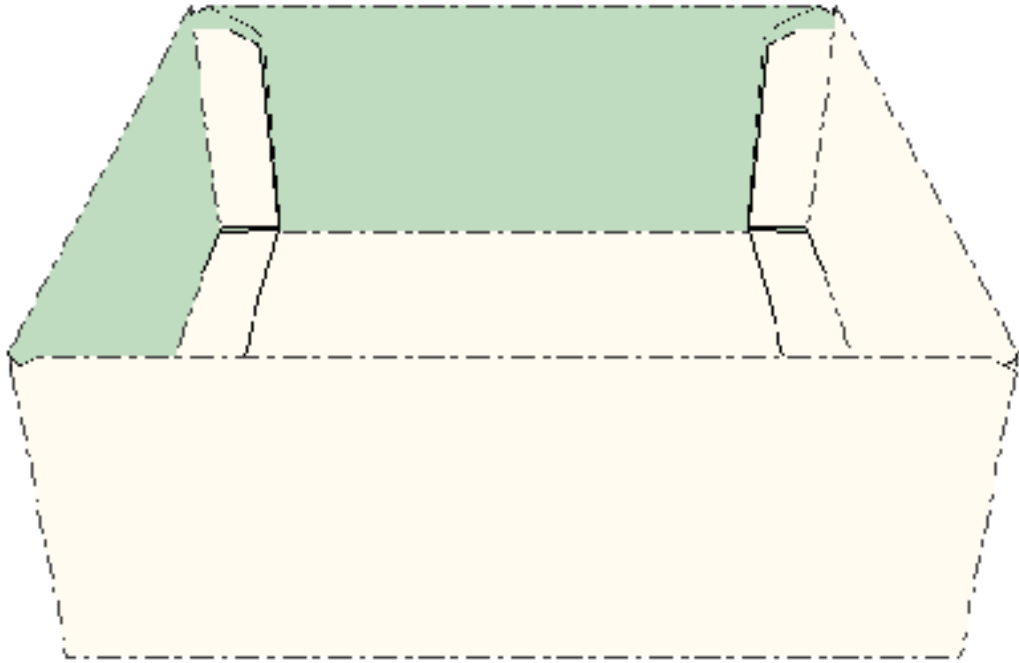
Trays/Kwikset

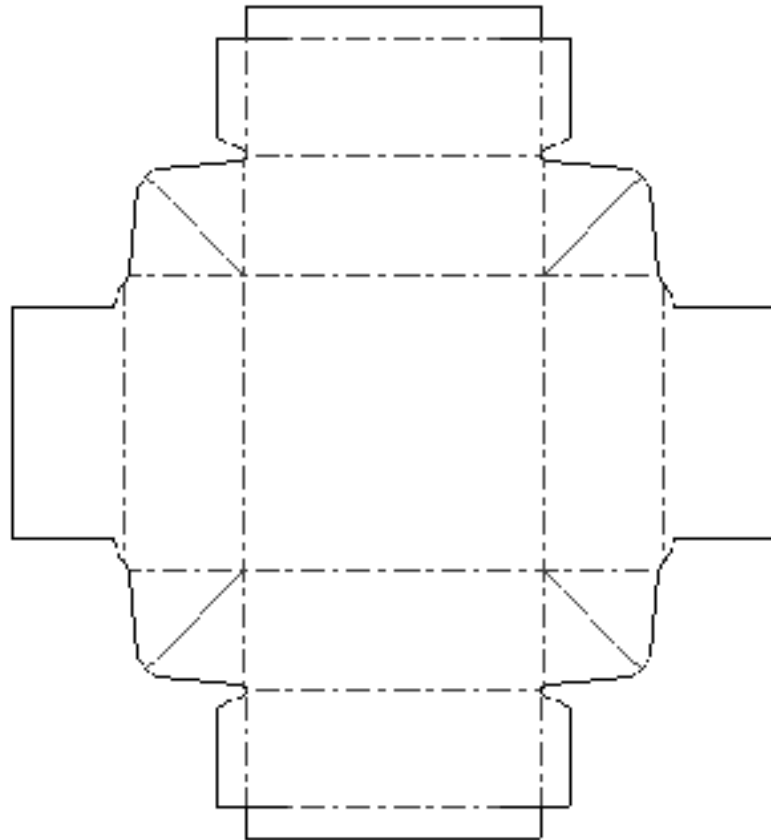
251.01.ARD - Kwikset tray with reinforcing tabs





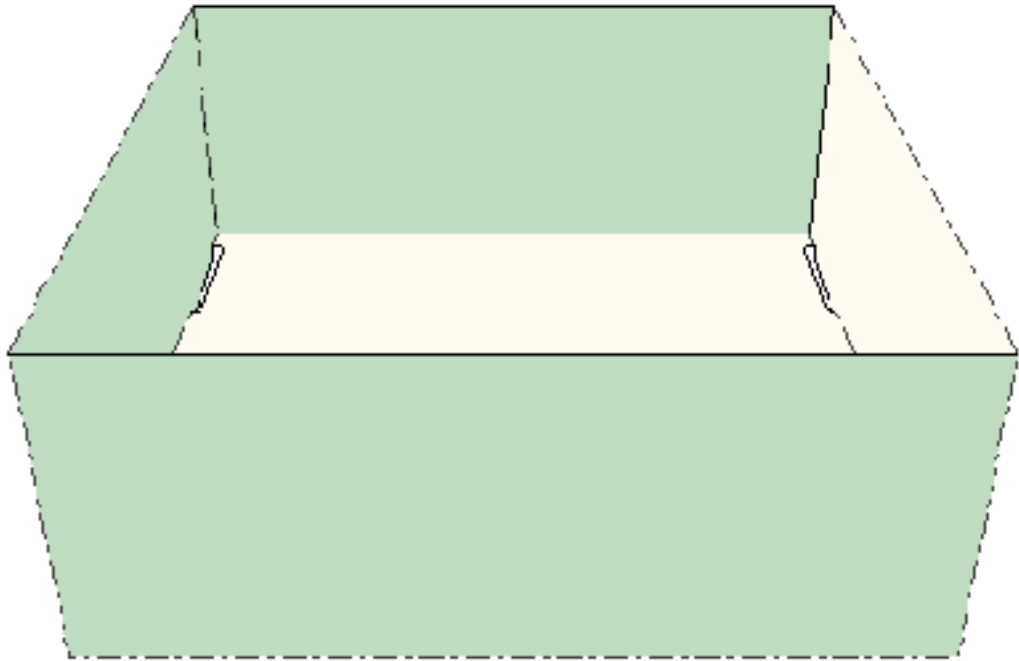
251.04.ARD - Standard Kwikset tray

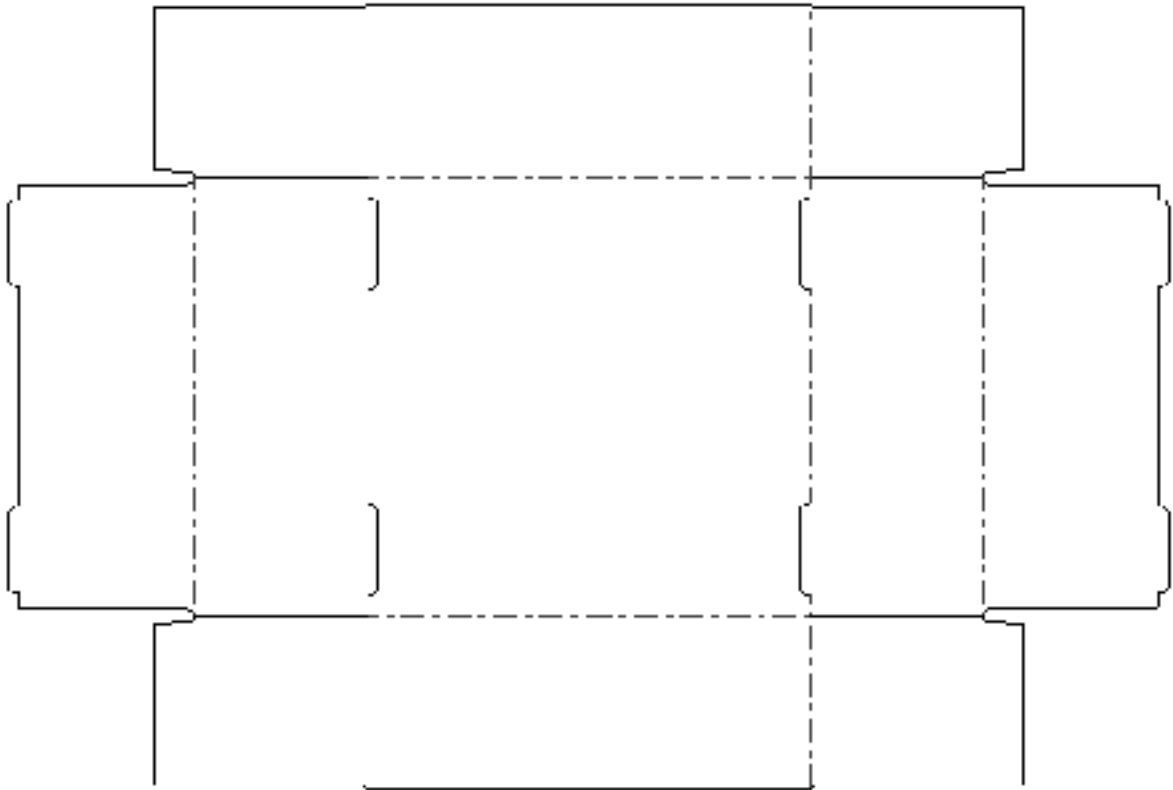




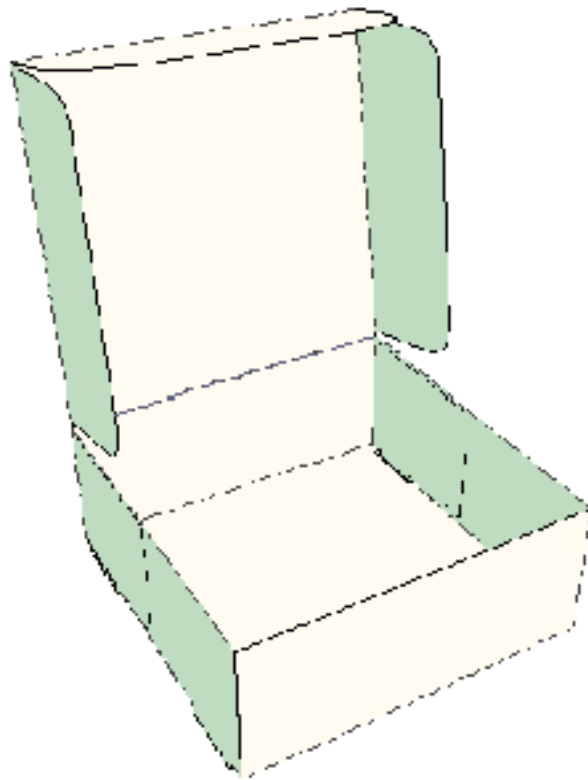
Trays/Walker locks

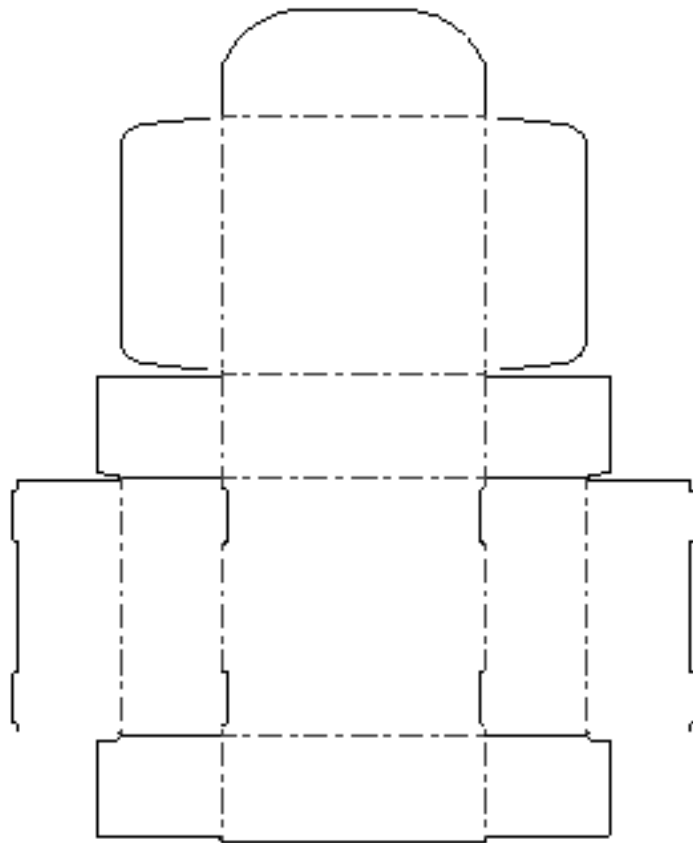
281.01.ARD - Walker lock





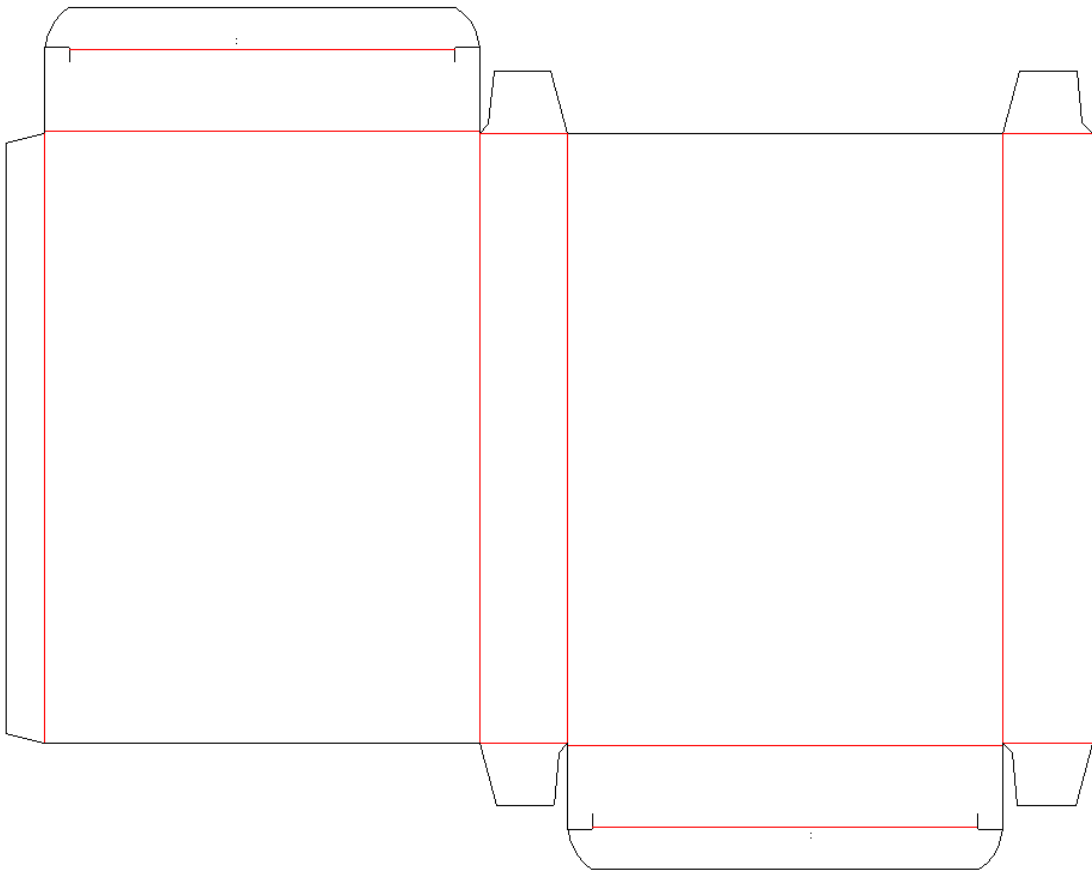
281.02.ARD - Walker lock 2/tri-seal lid

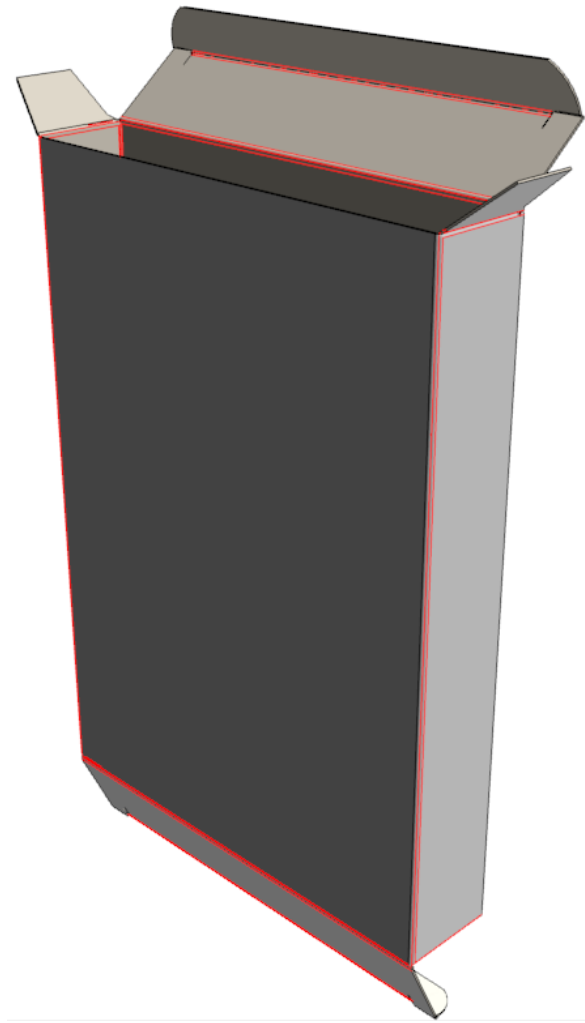




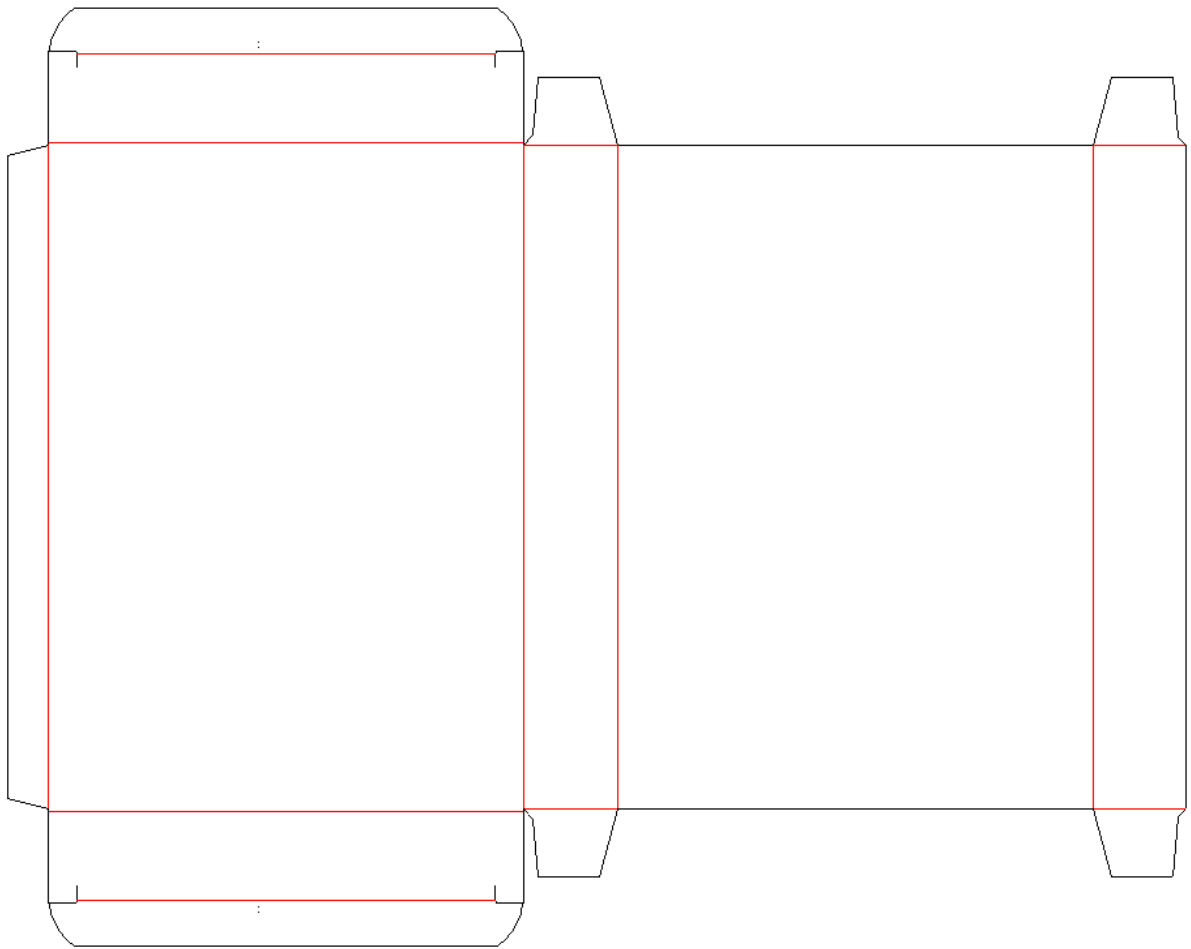
ECMA

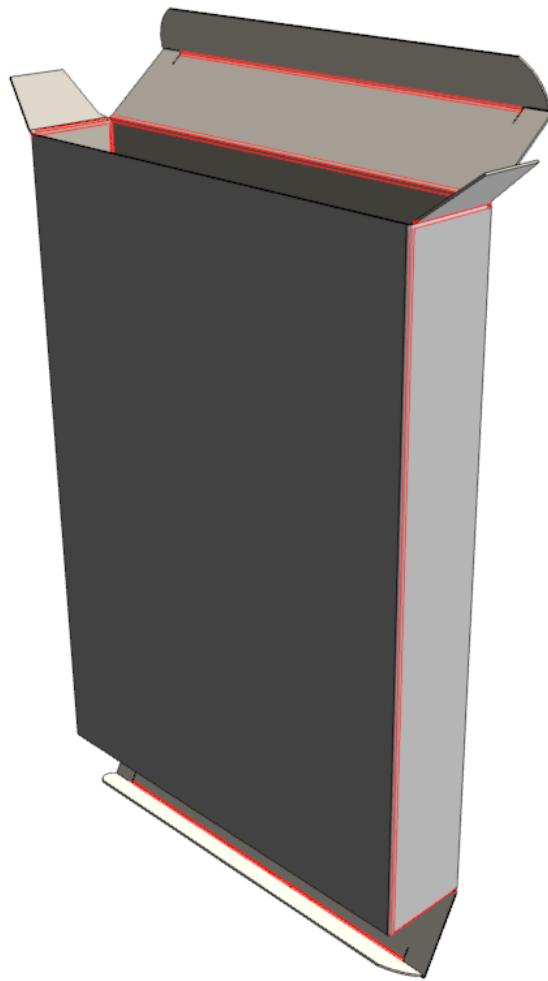
100.01



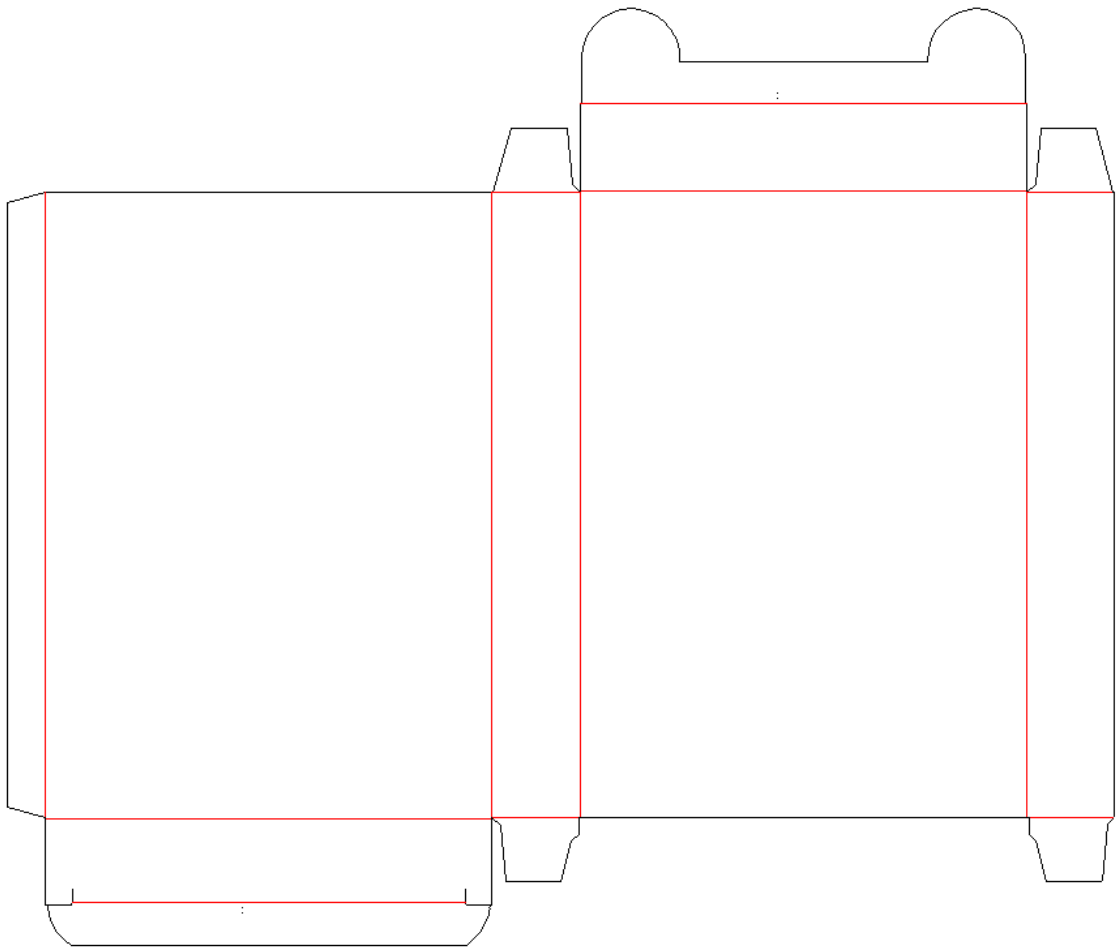


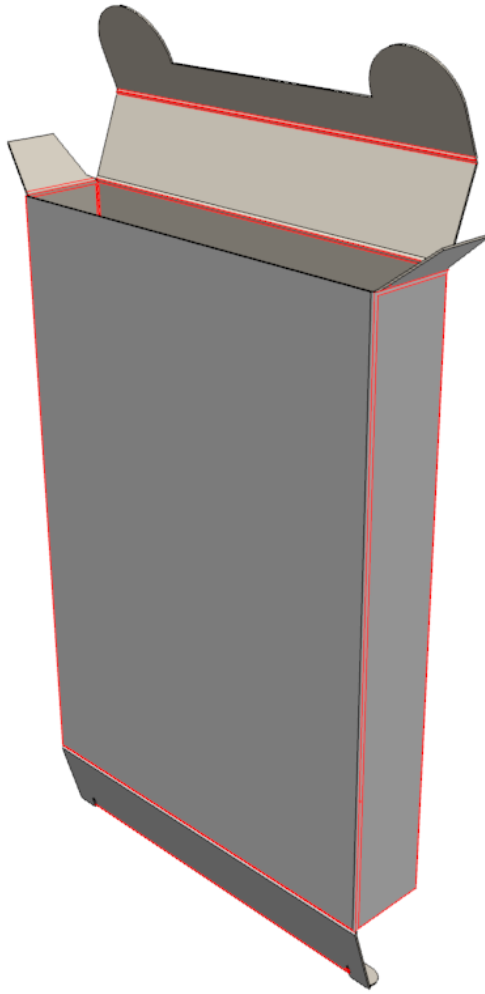
110.01



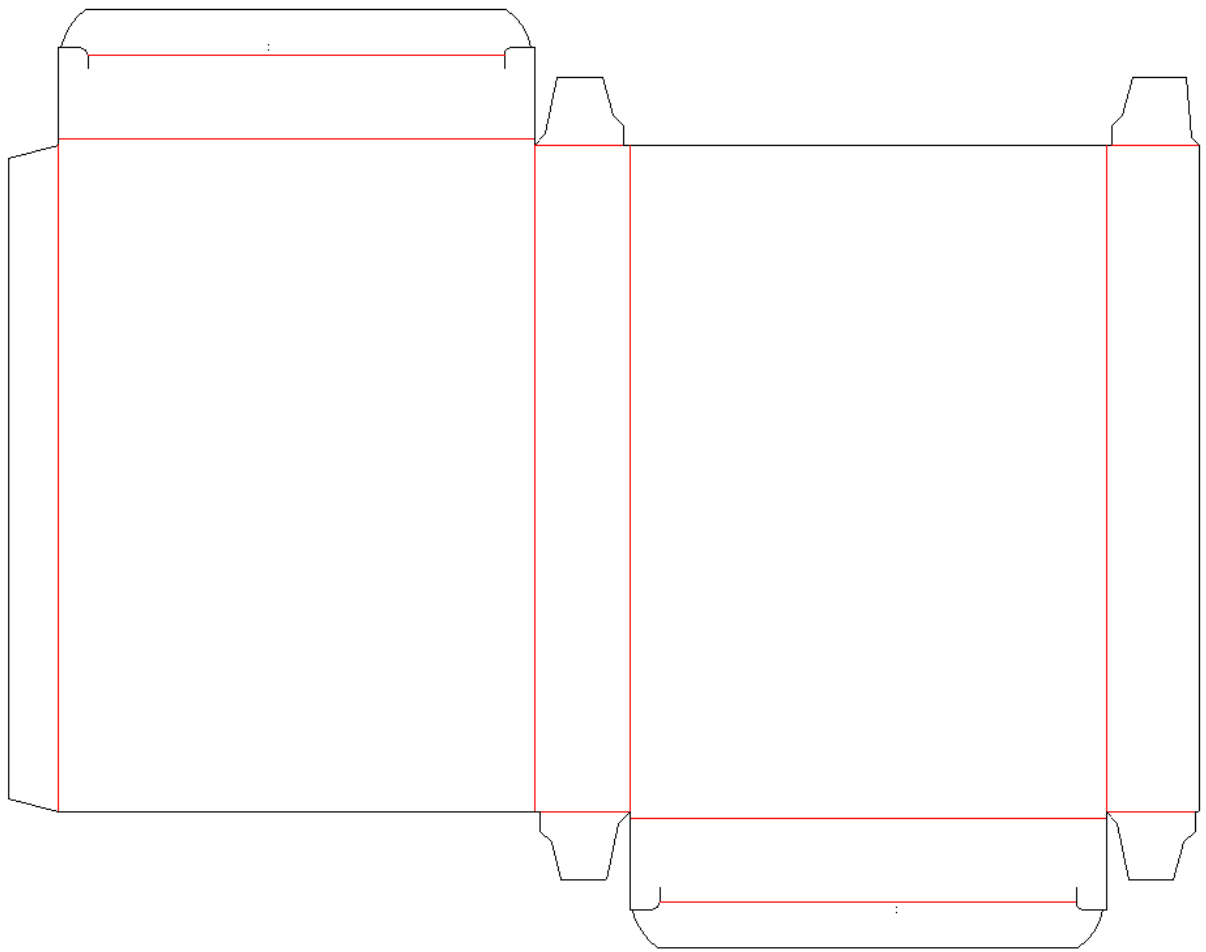


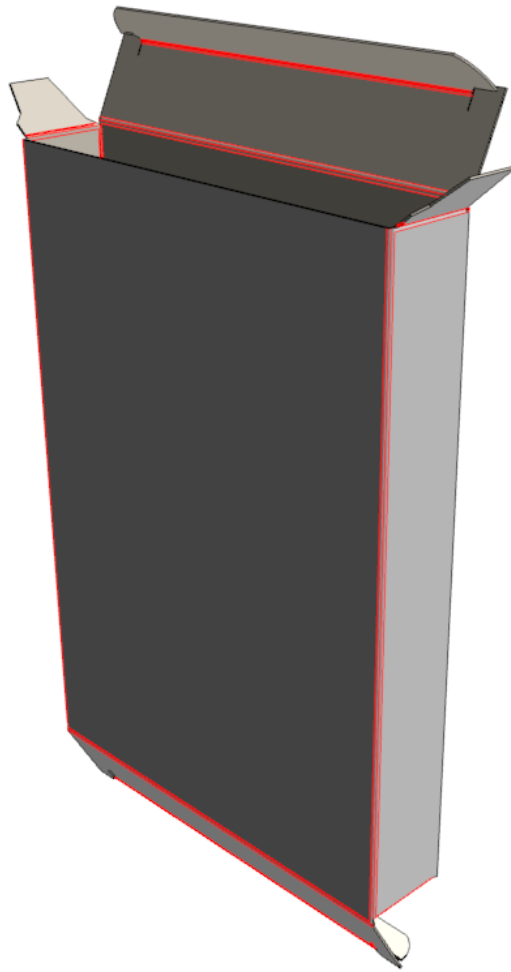
120.01



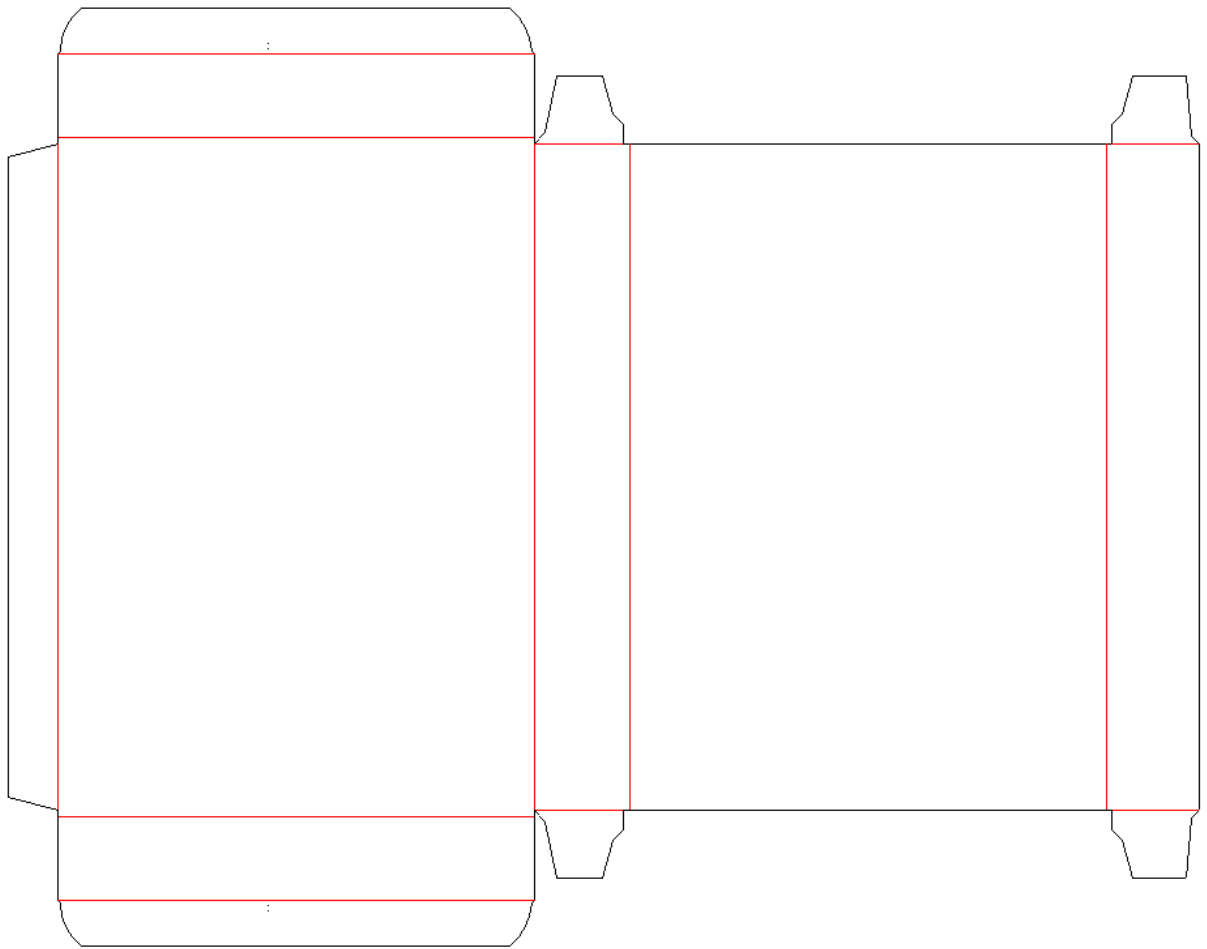


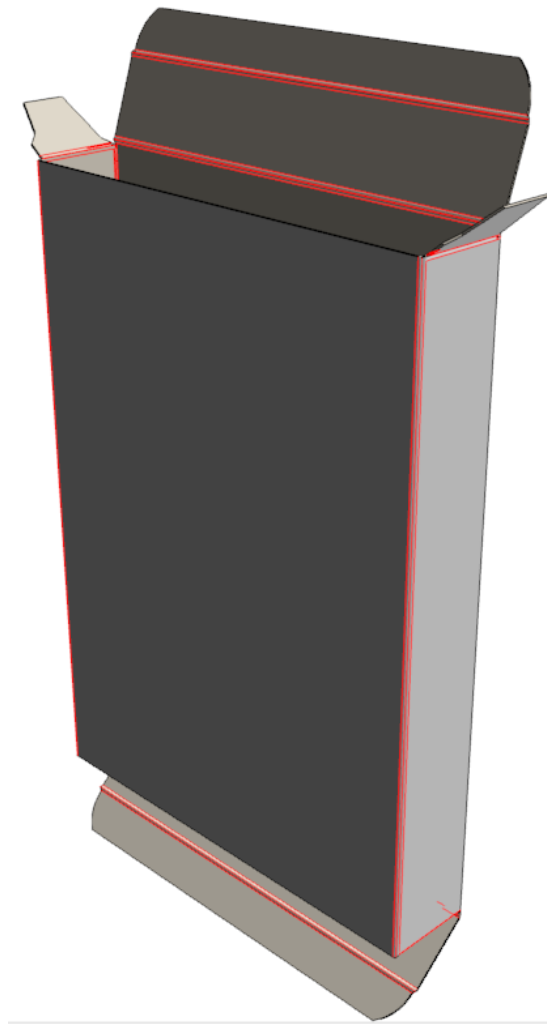
130.01



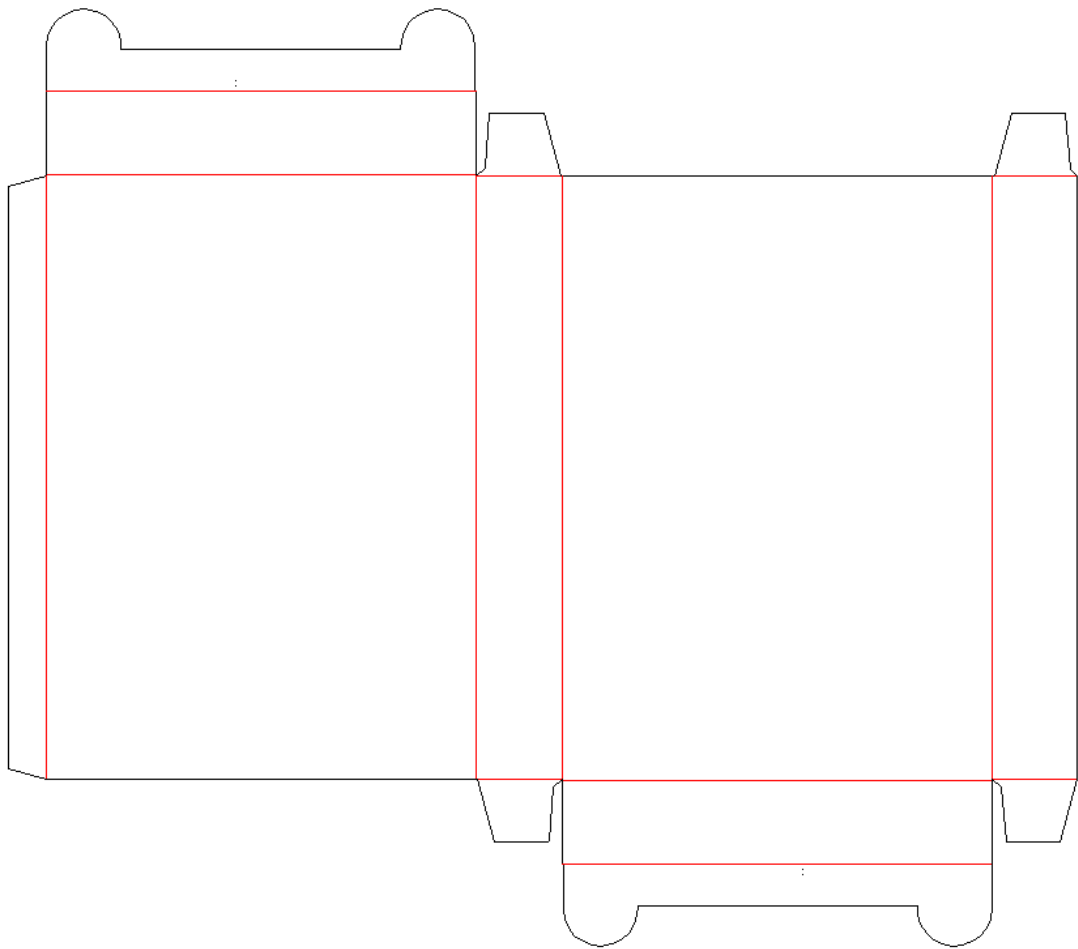


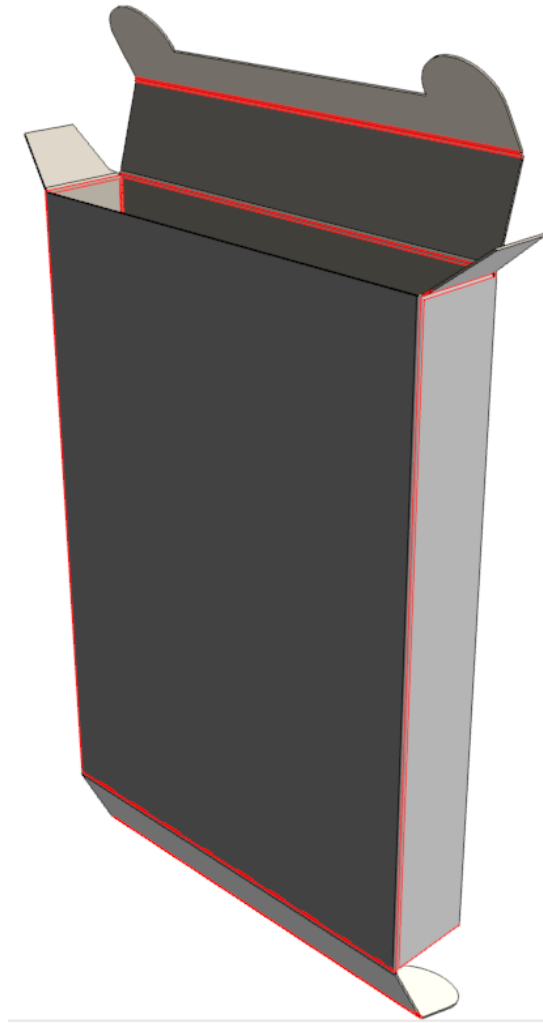
140.01



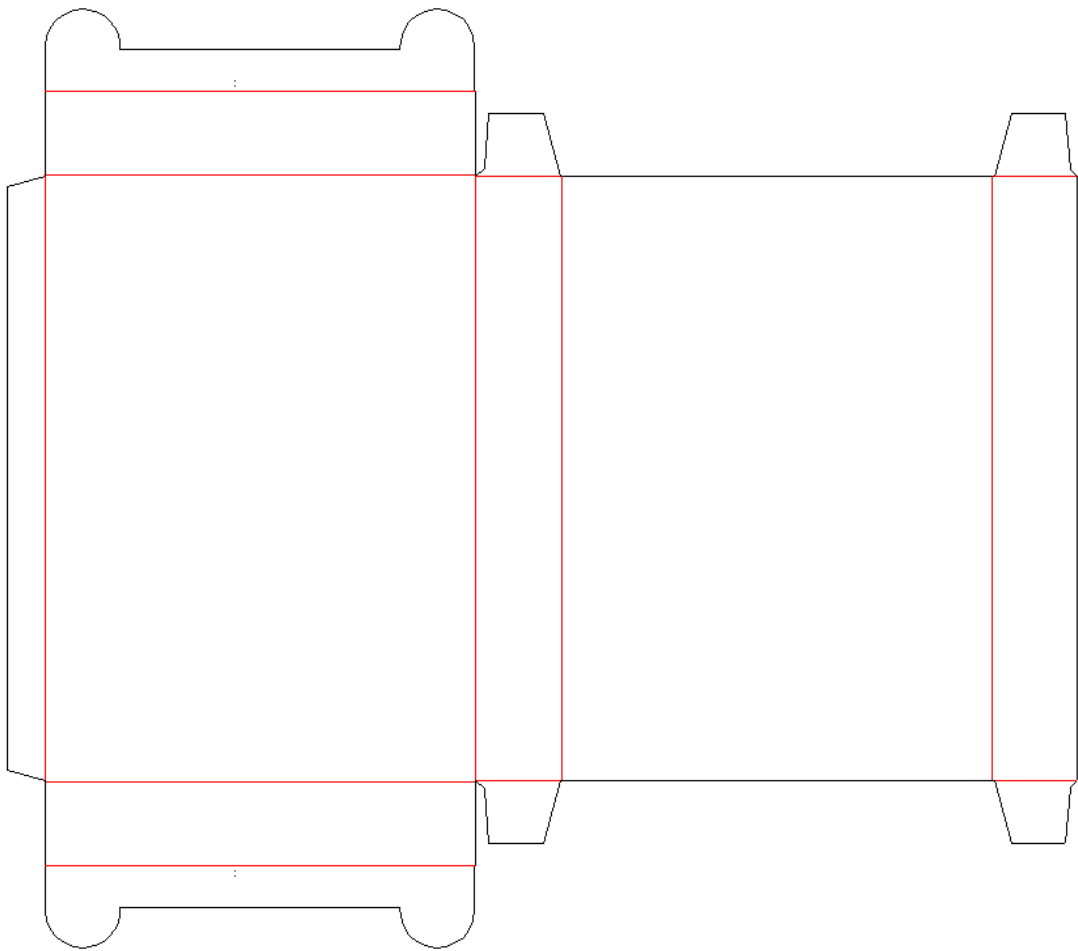


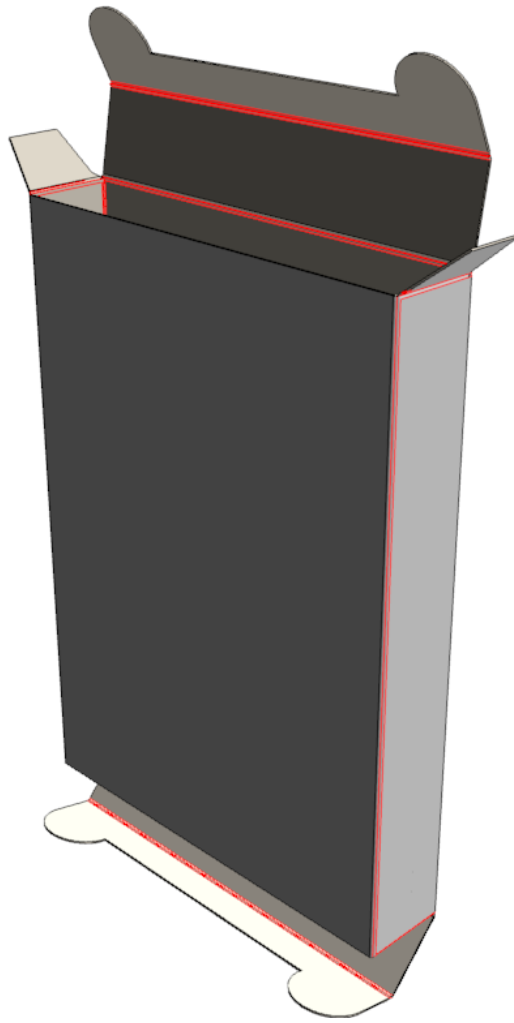
150.01



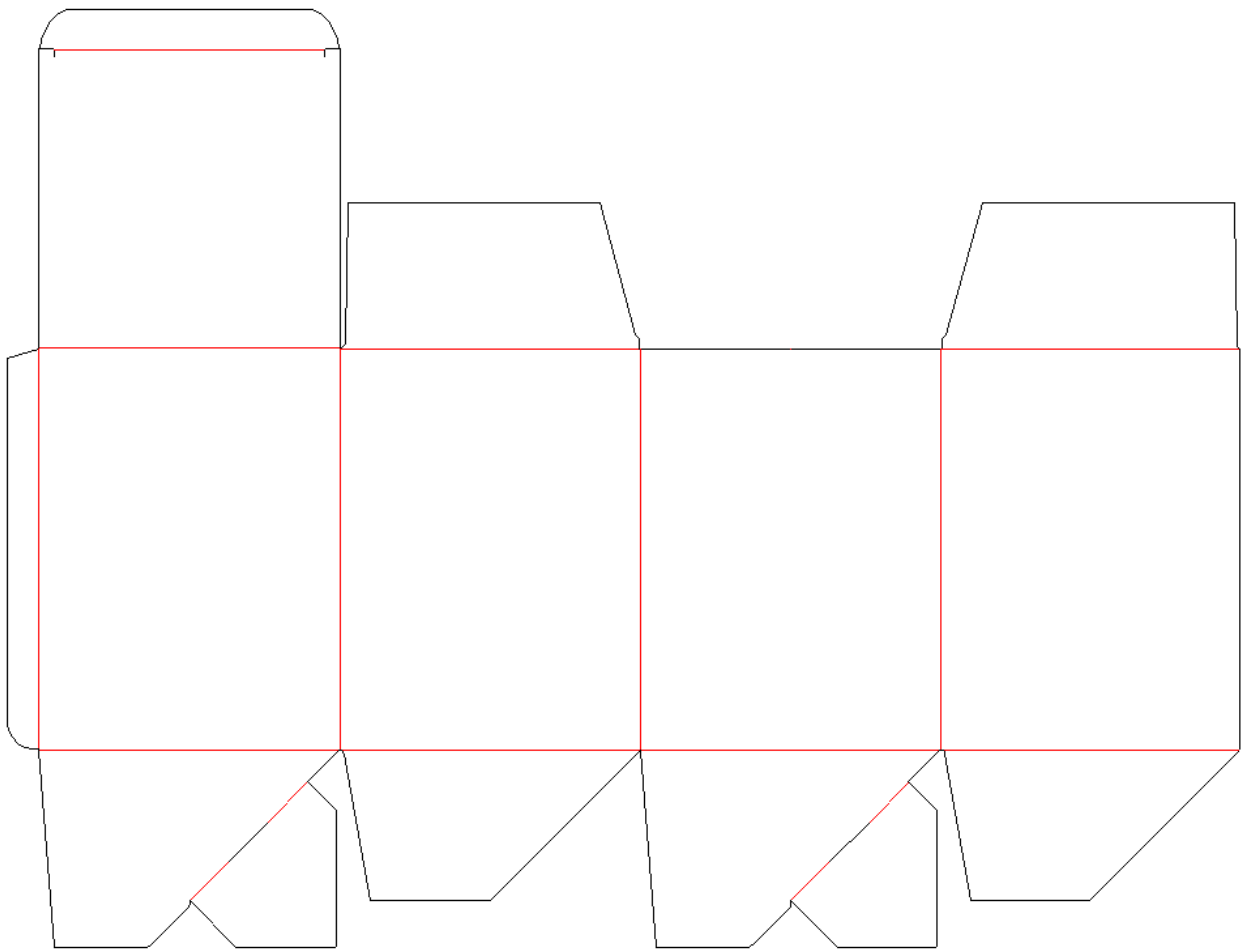


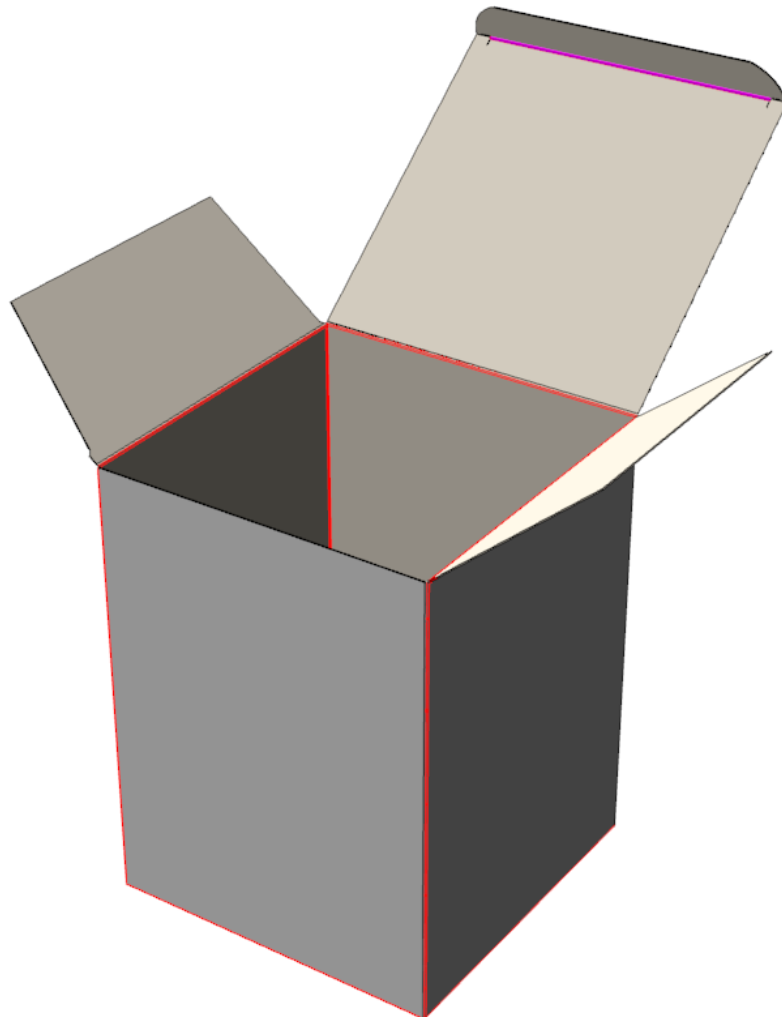
160.01



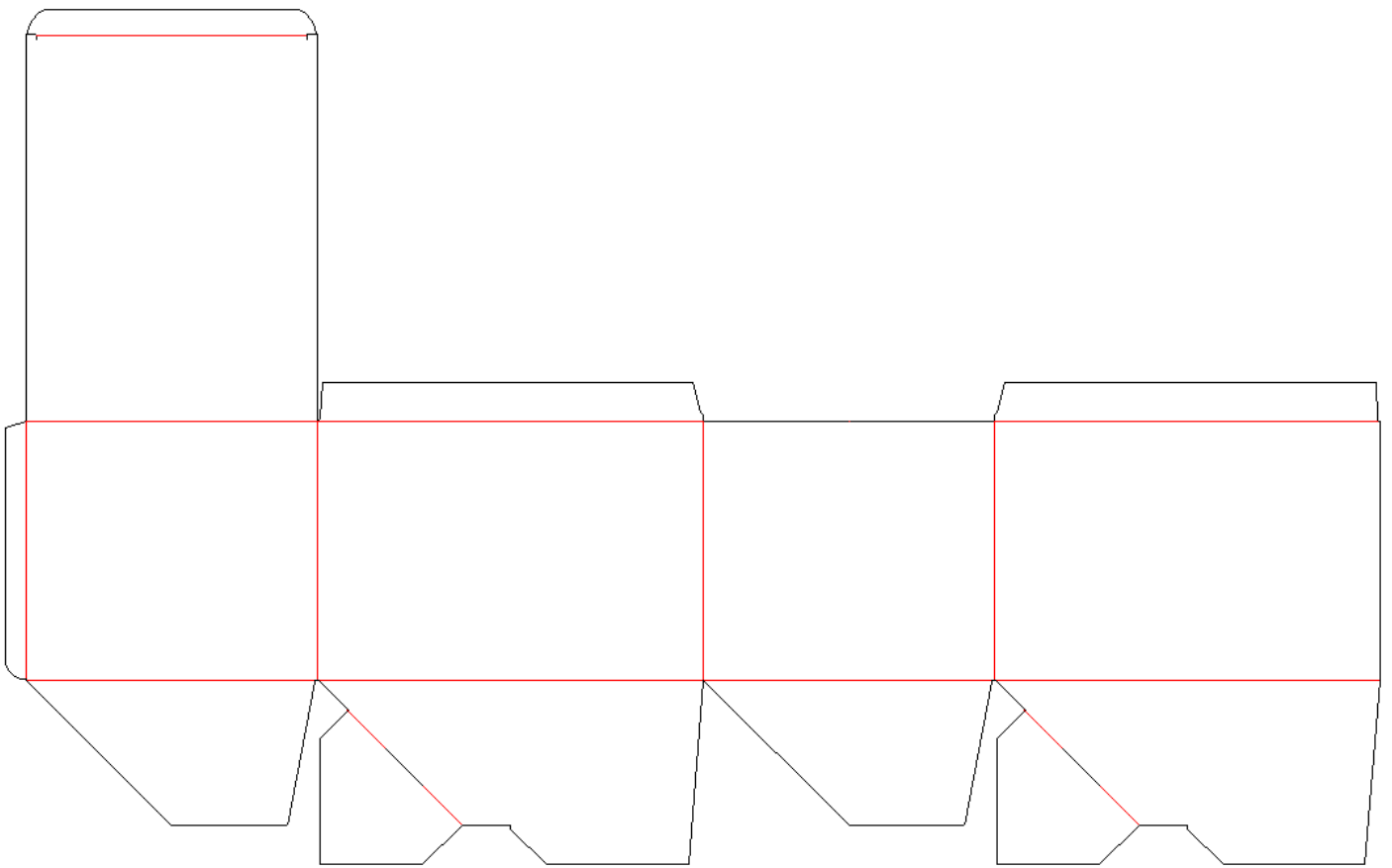


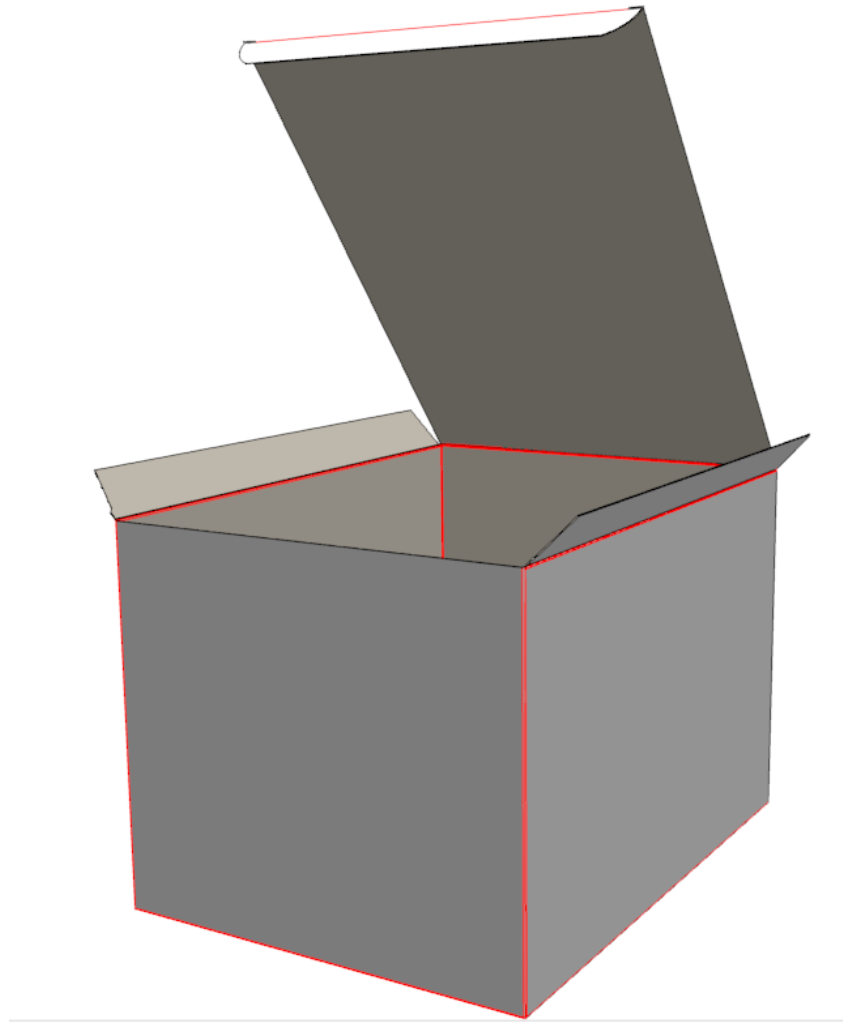
170.01



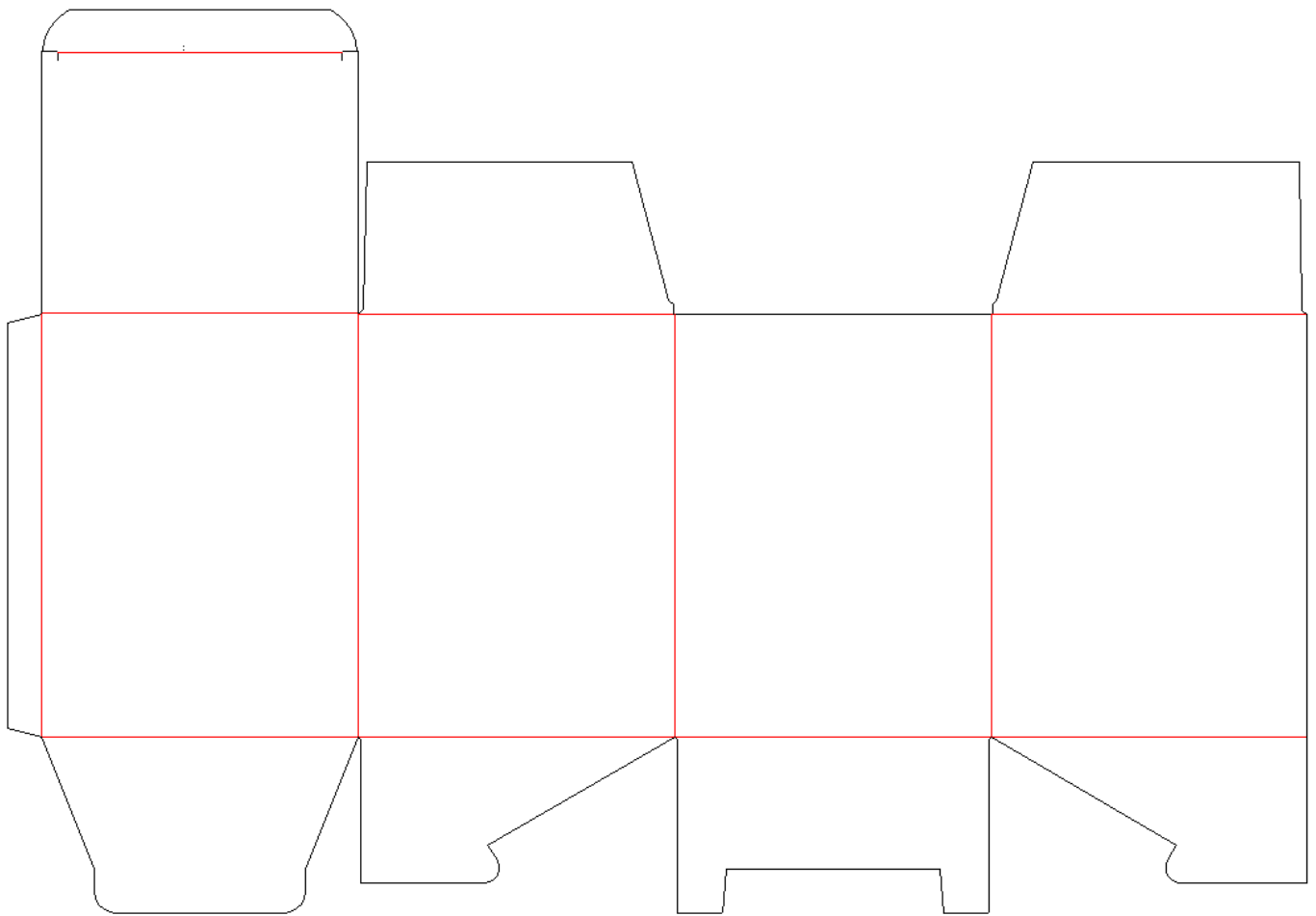


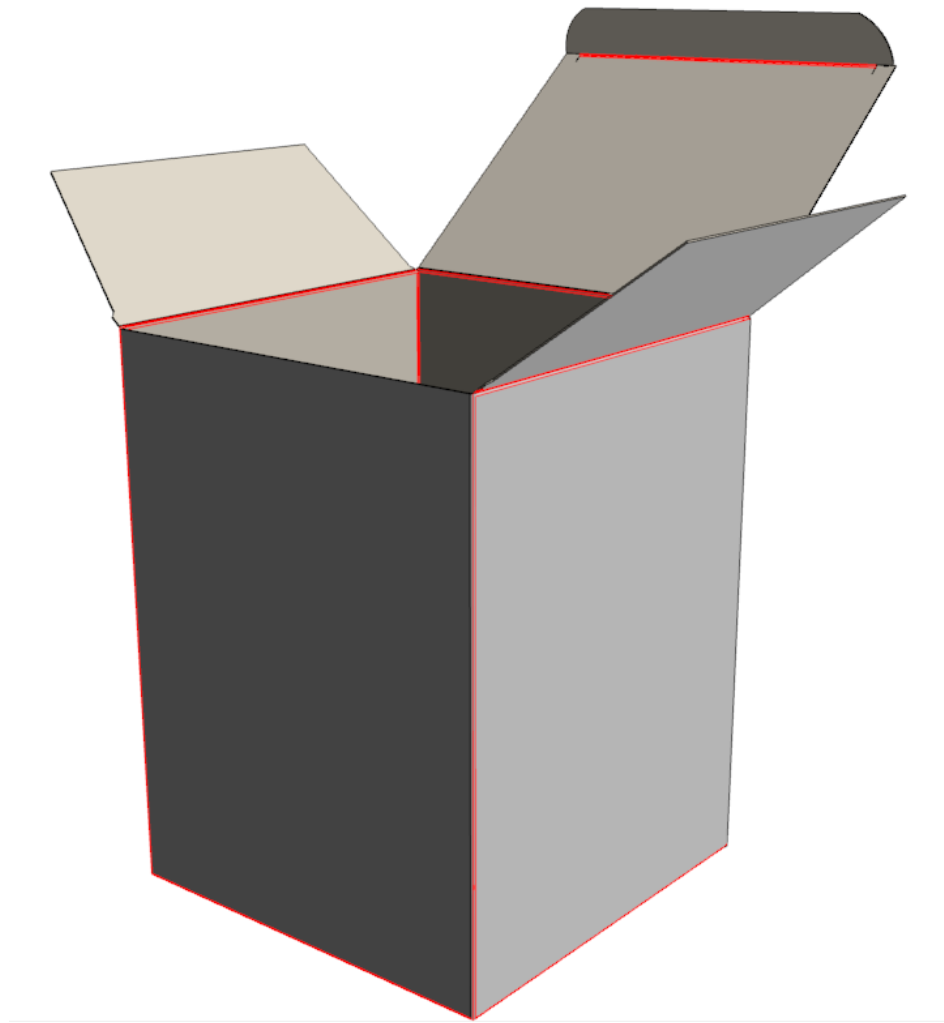
171.01



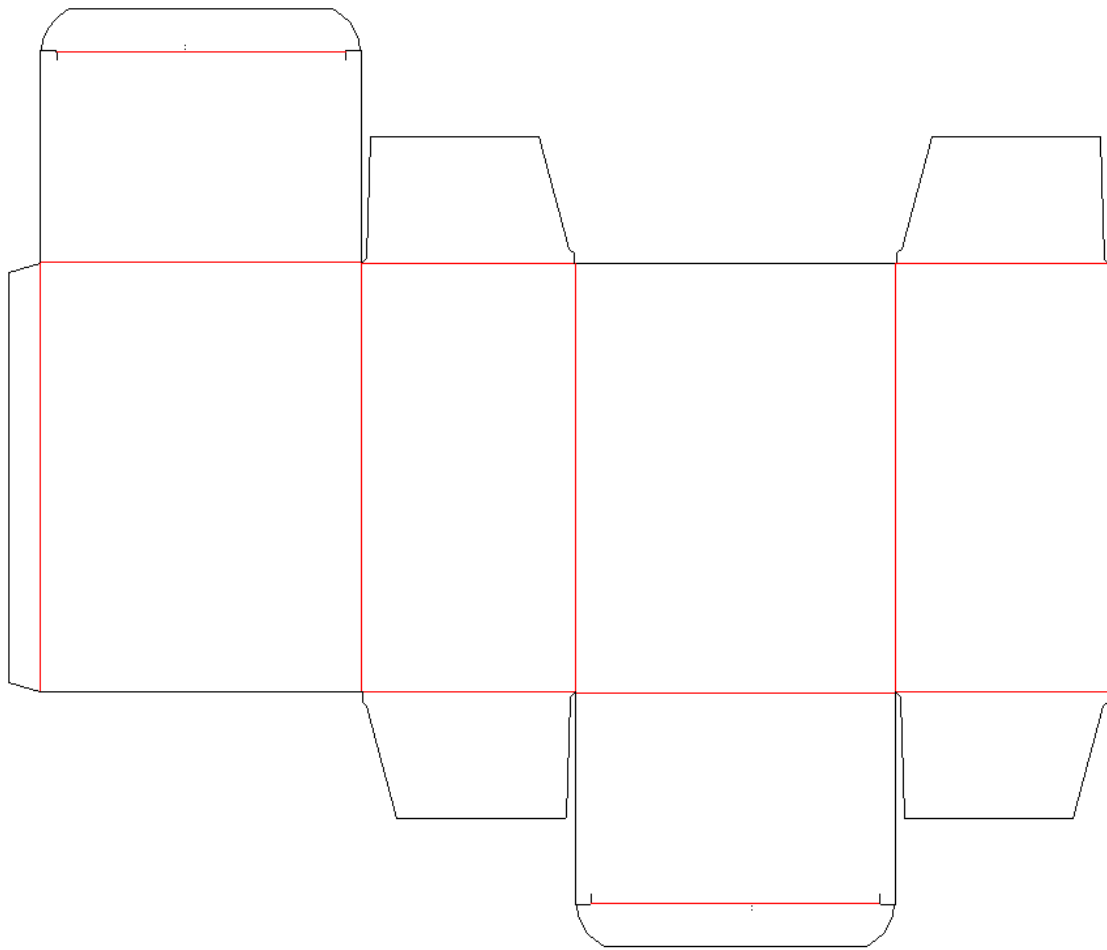


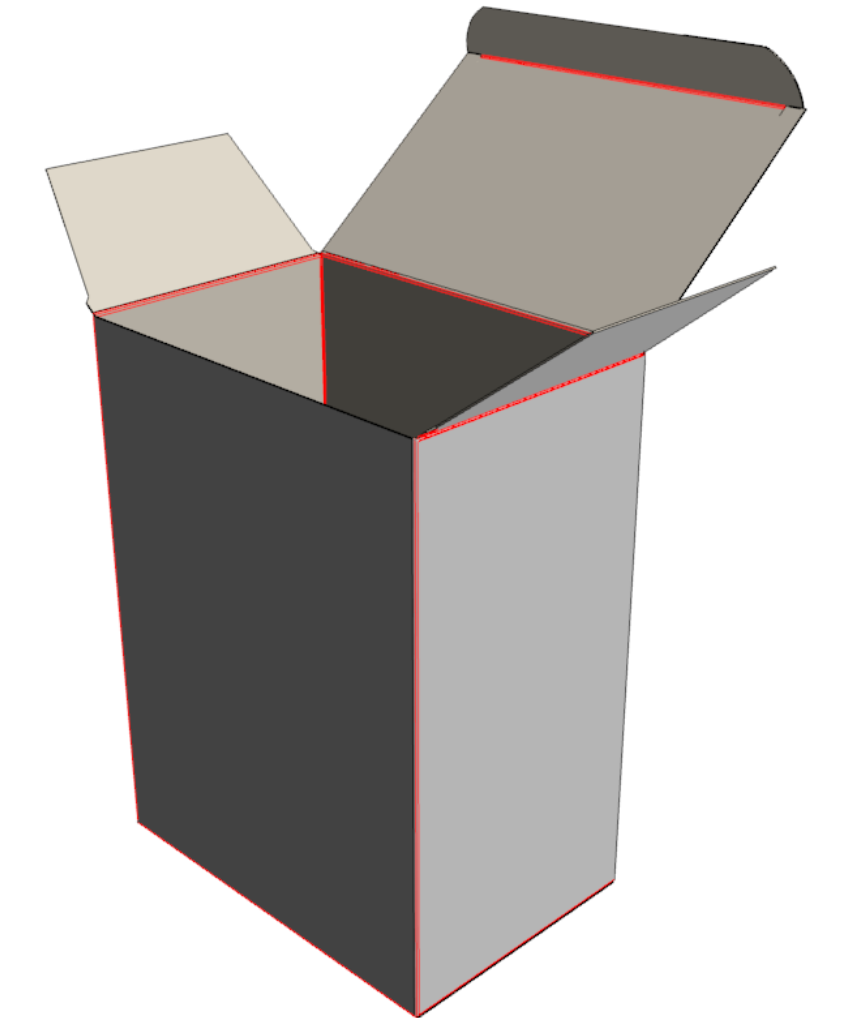
180.01



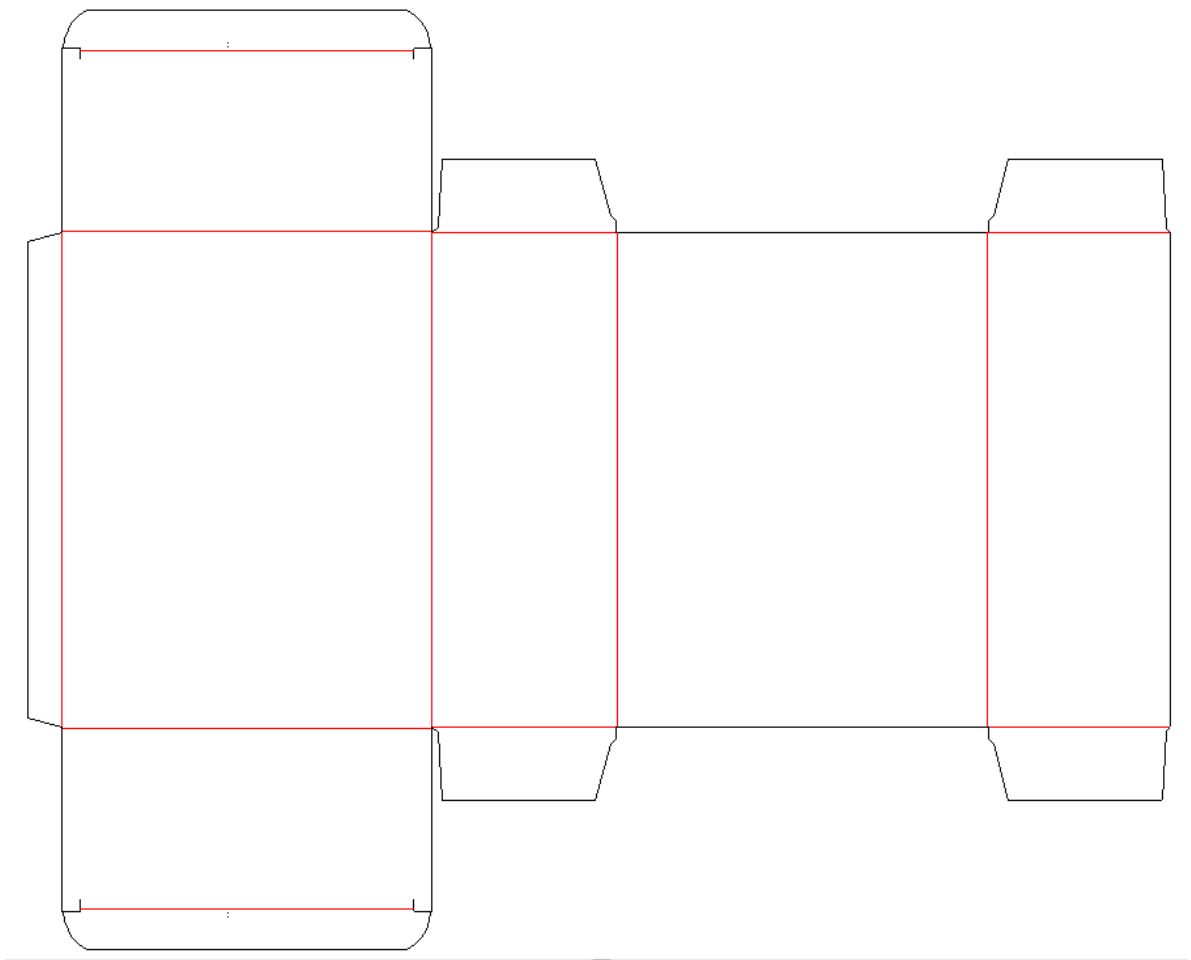


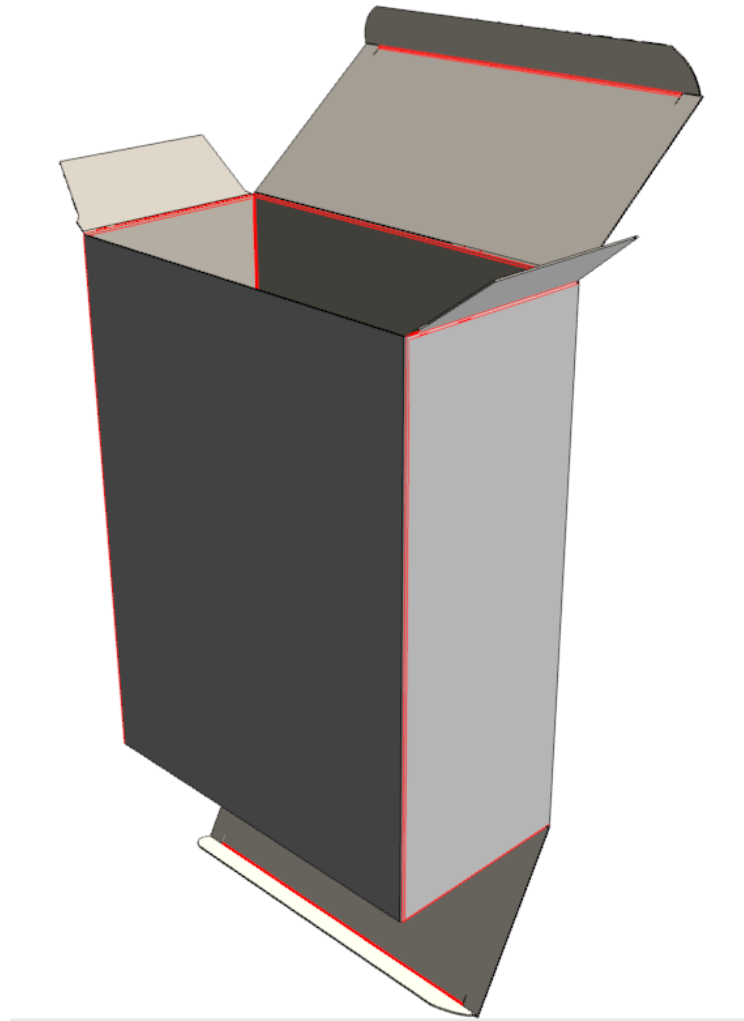
50.01a



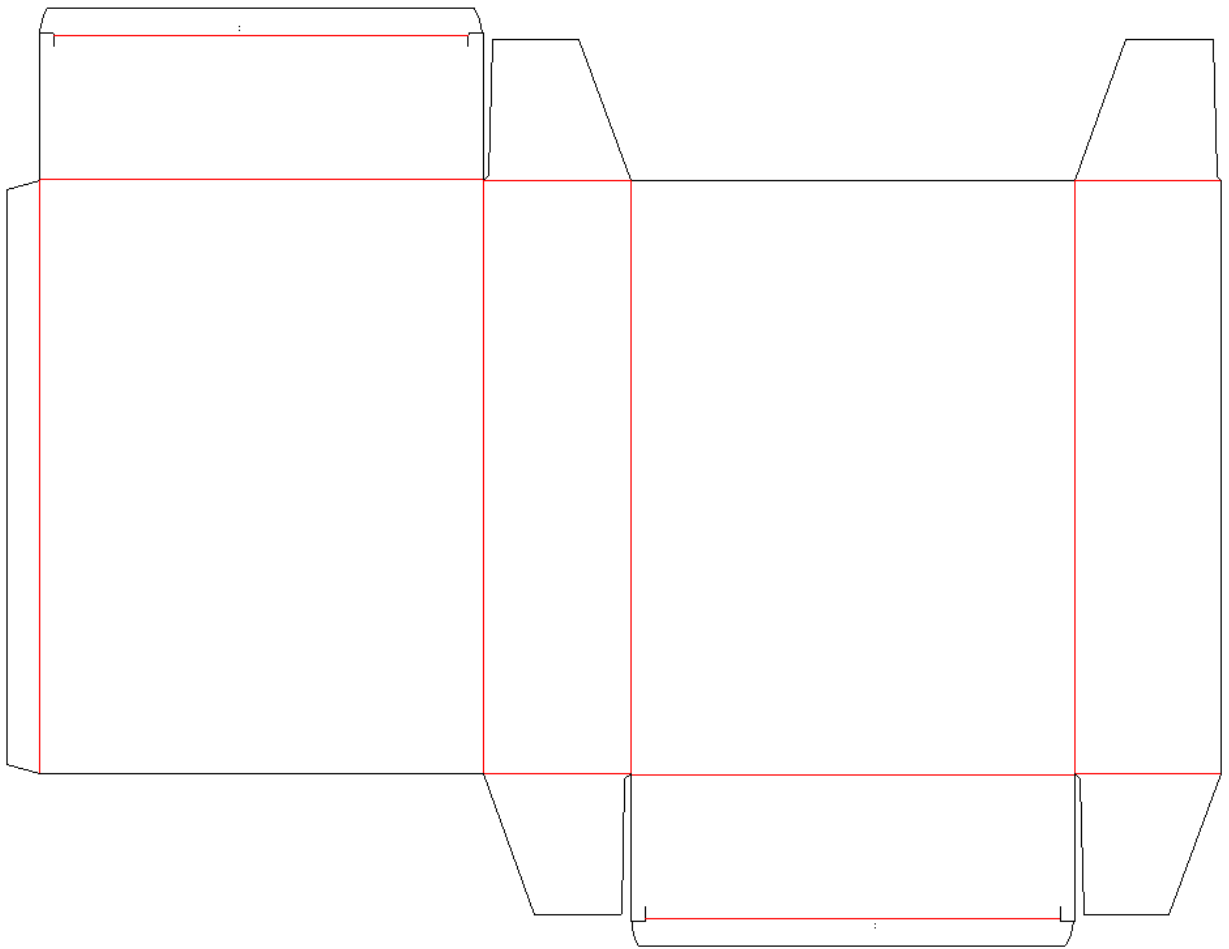


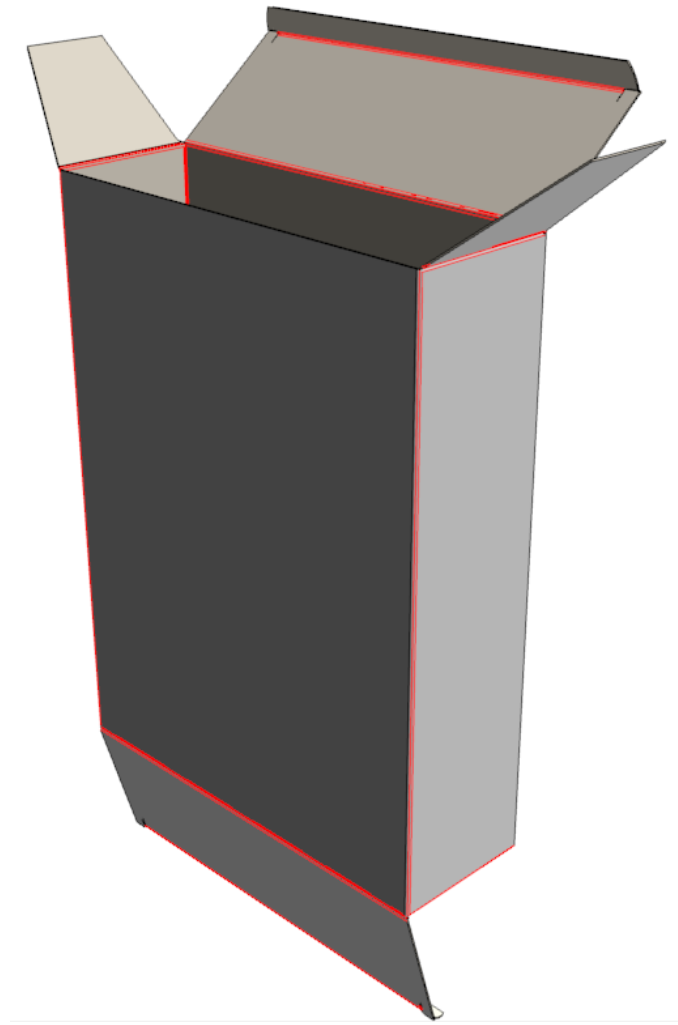
60.01



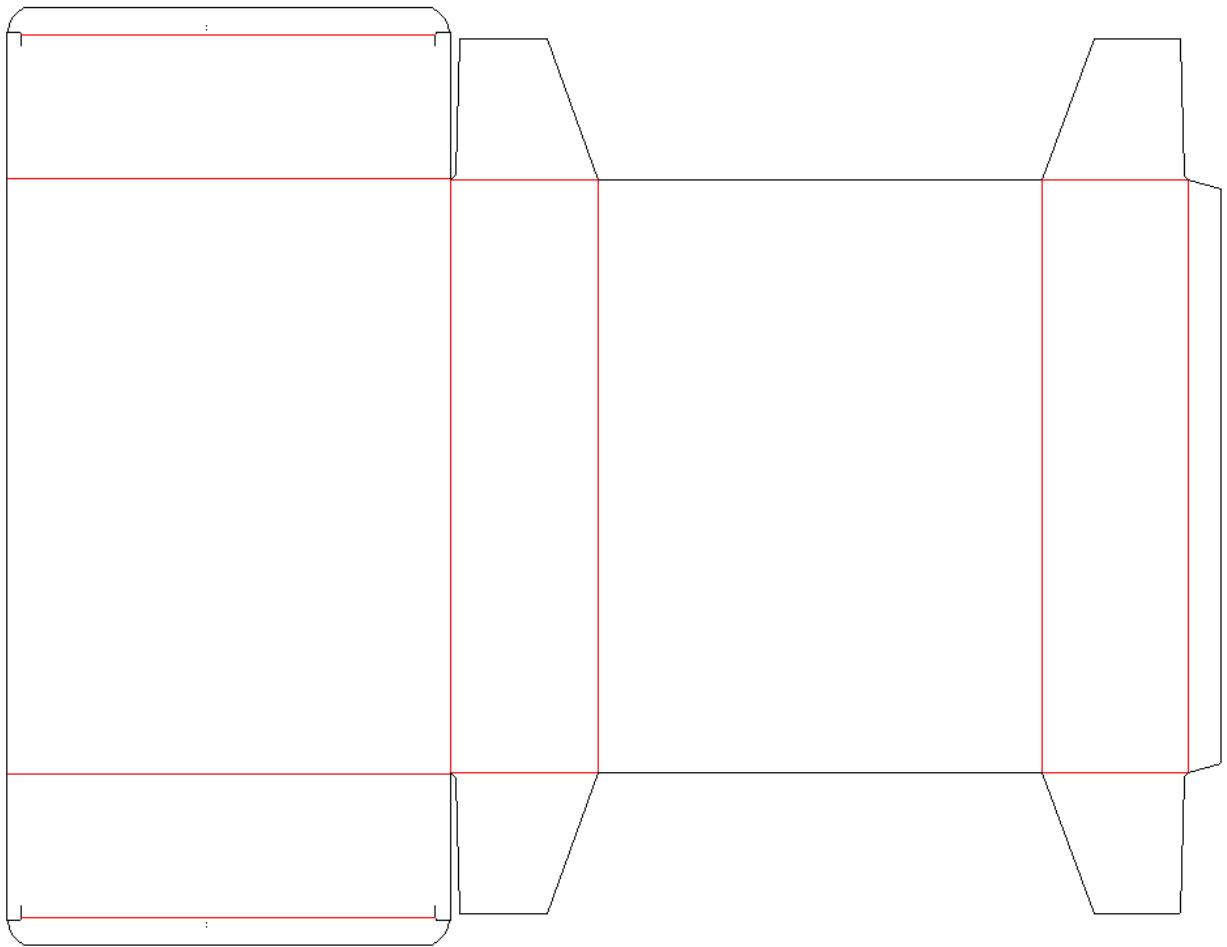


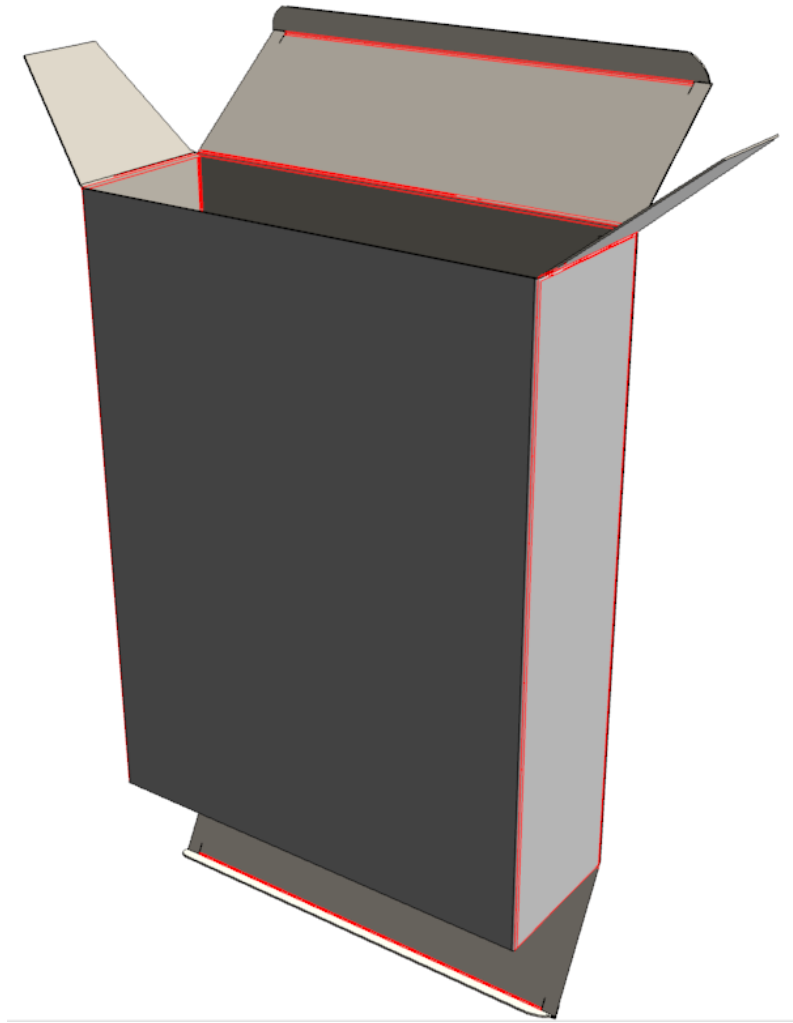
70.01



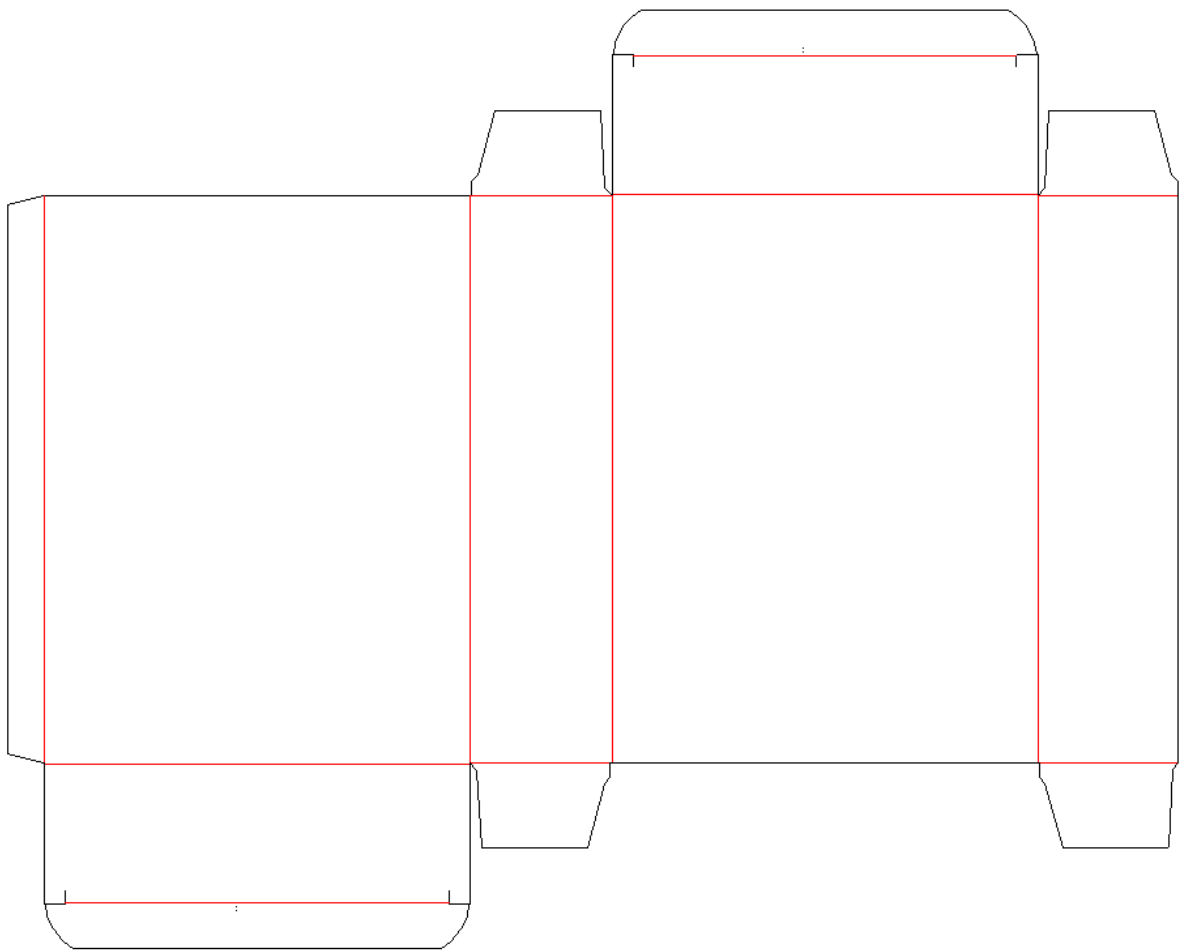


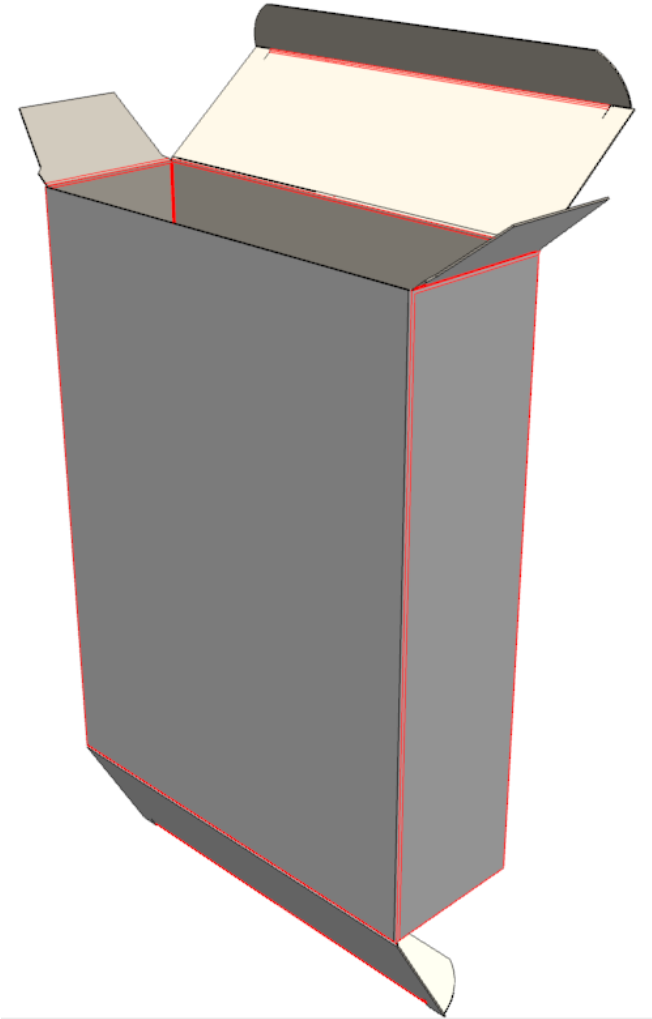
80.01





90.01



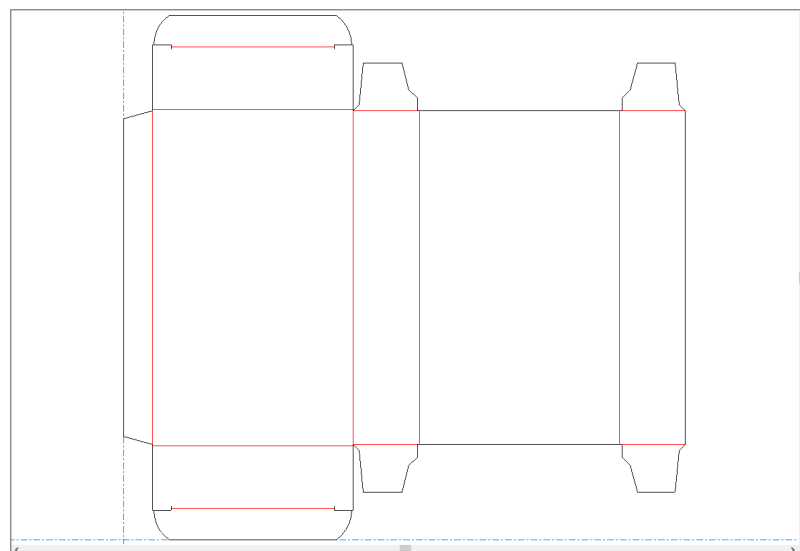


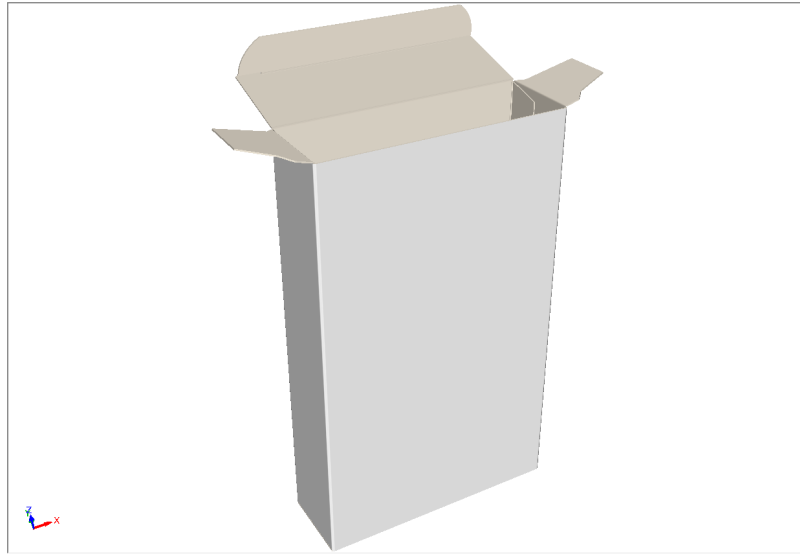
6. Resizable Design Templates

The standard styles in this chapter have associated geometry macros in the Geometry Macro Catalog with which you can replicate their parts in your own designs. They also have documentation spreadsheets in InstLib in the ECMA and FEFCO folders in which you can find specific information about their construction.

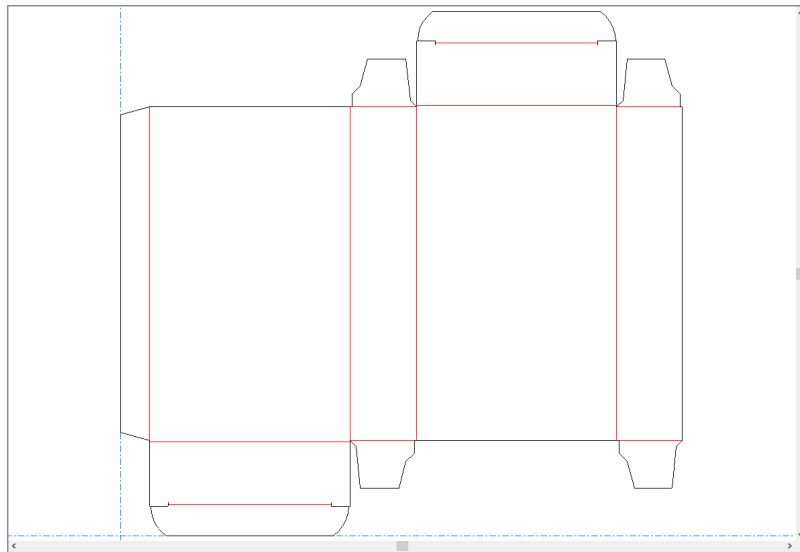
ECMA

A20.20.01.01



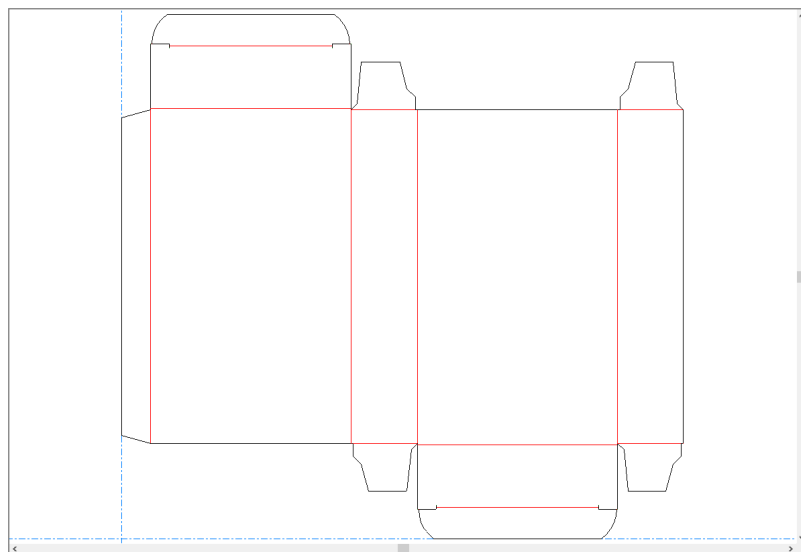


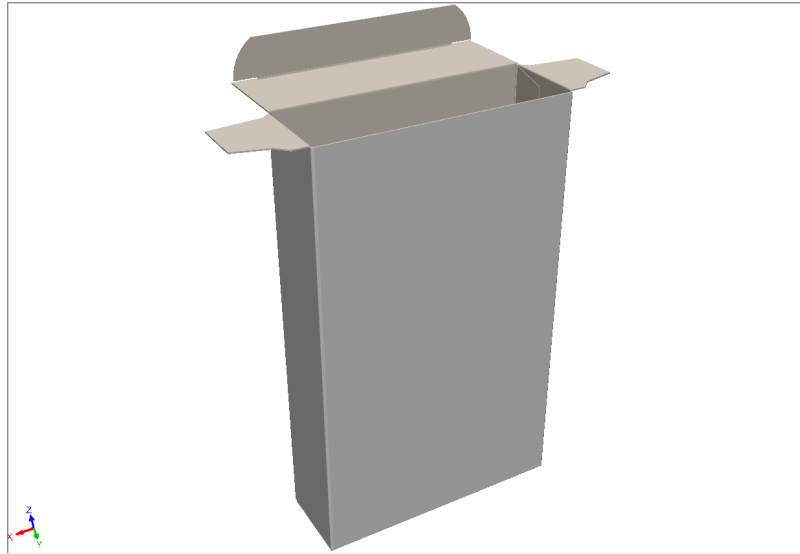
A20.20.01.03



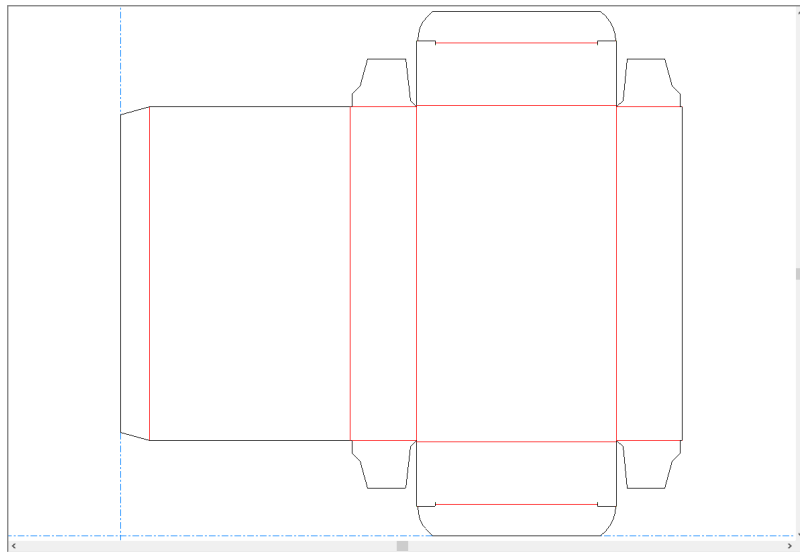


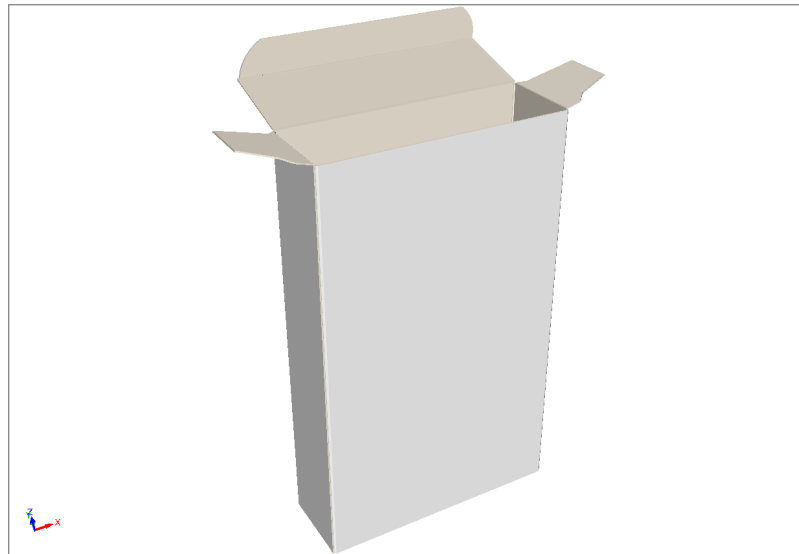
A20.20.03.01



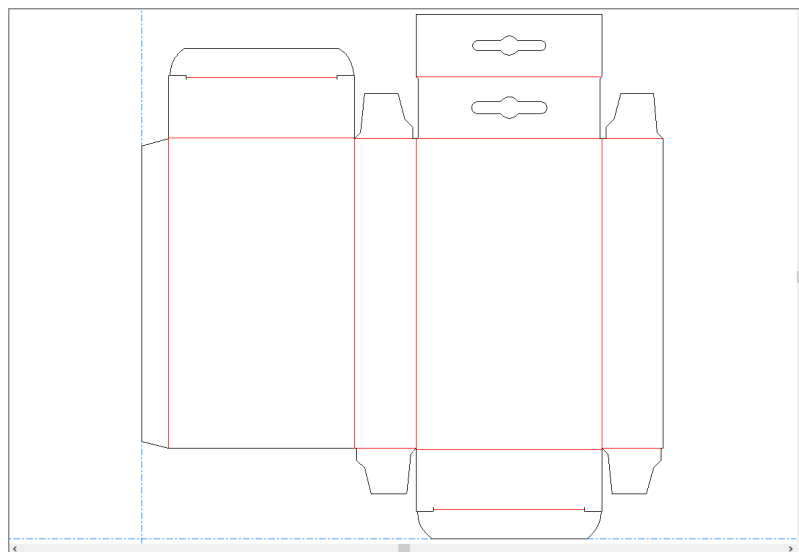


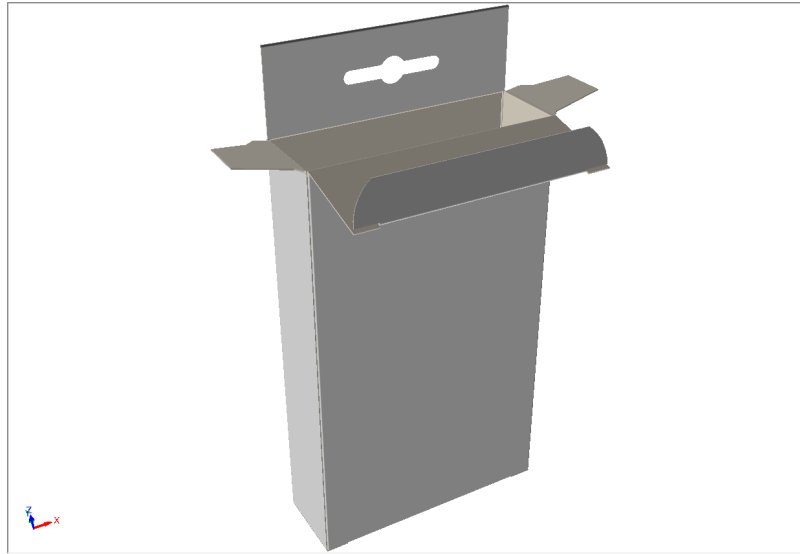
A20.20.03.03



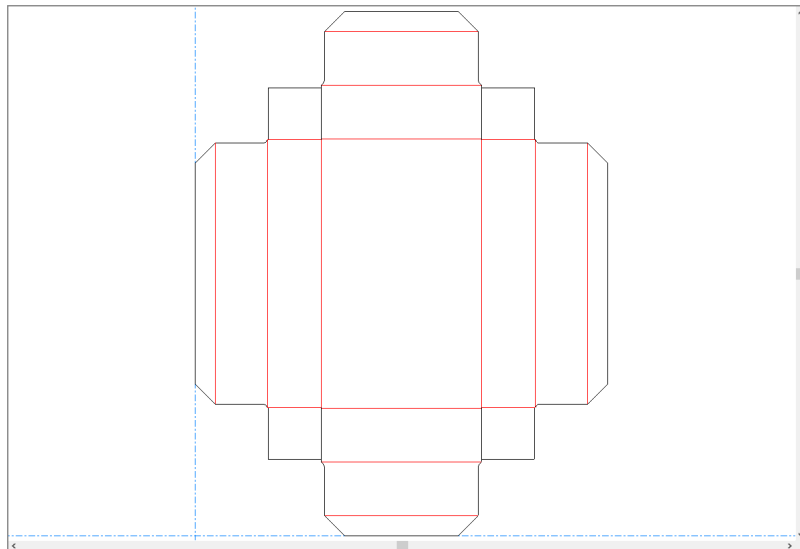


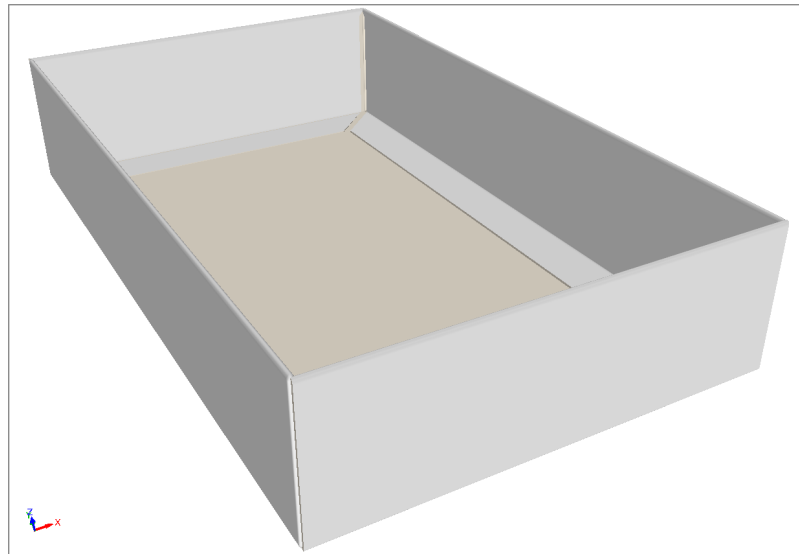
A20.21.03.03



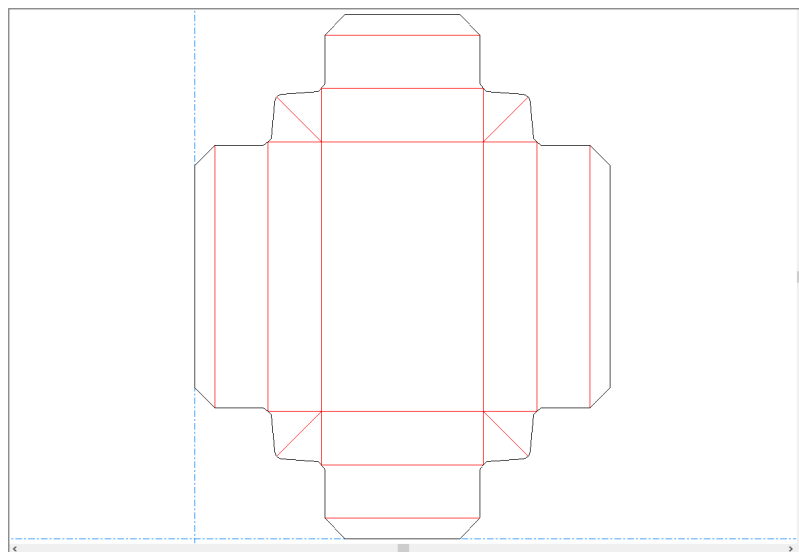


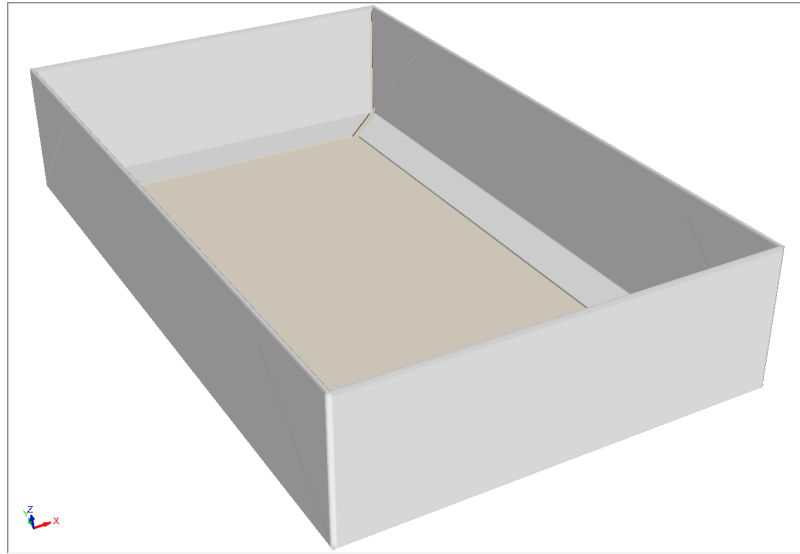
B10.02.00.00



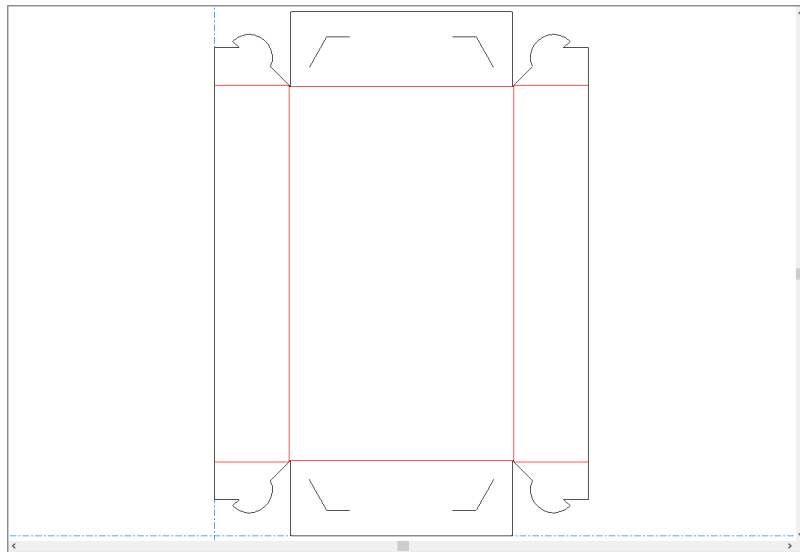


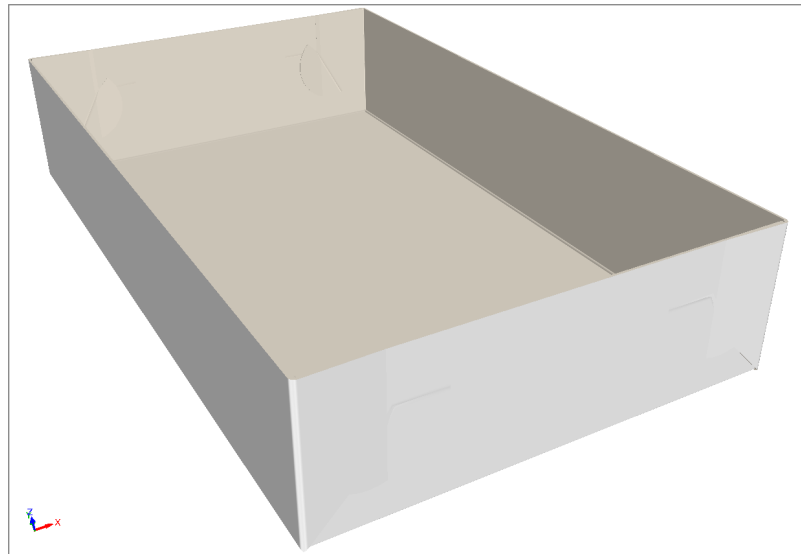
B10.04.00.00



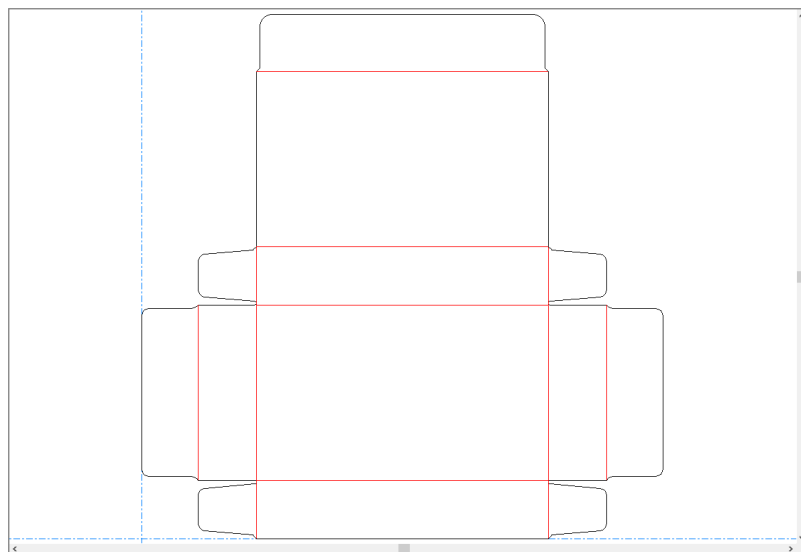


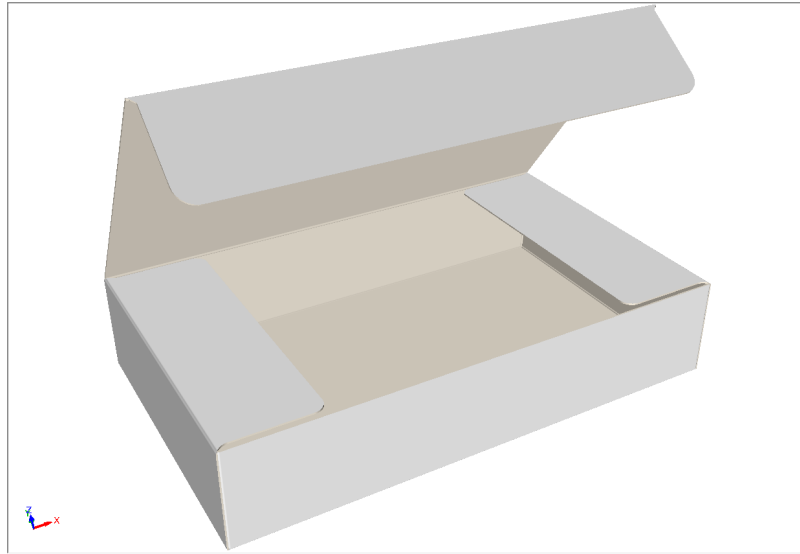
B15.06.00.00



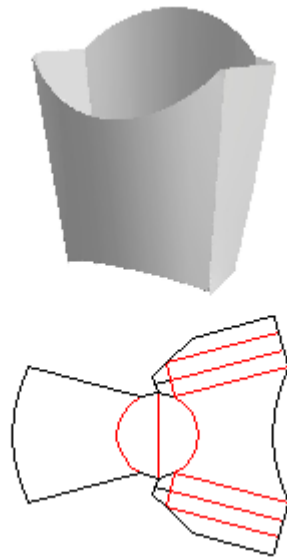


B40.20.82.50

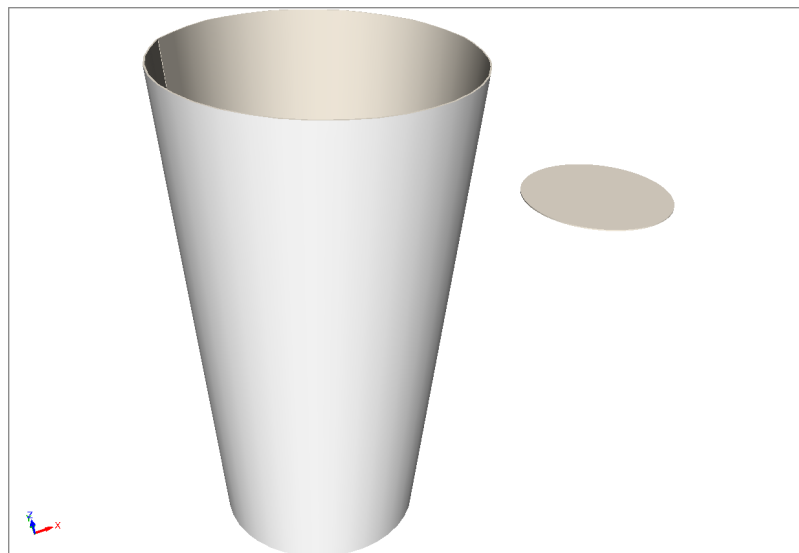
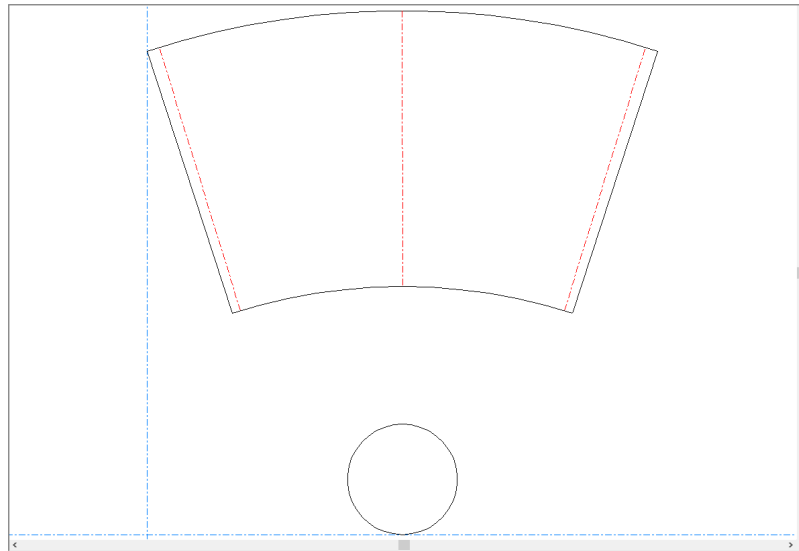




F70.54.00.00

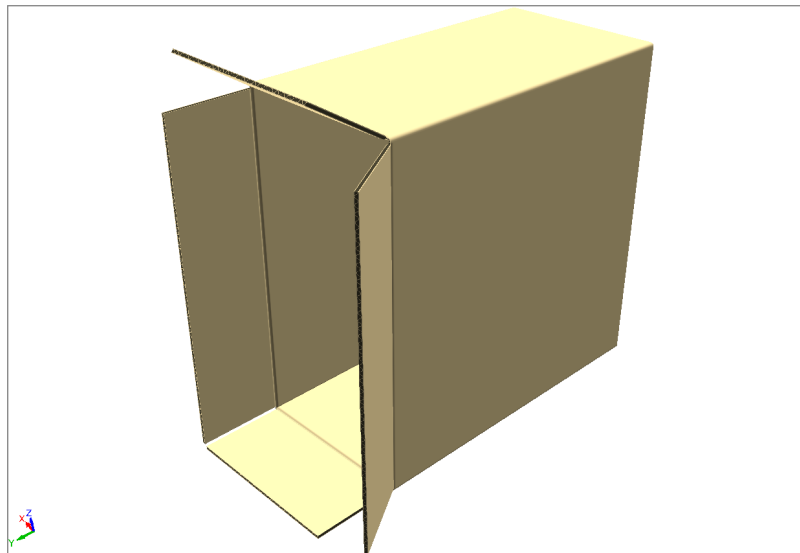
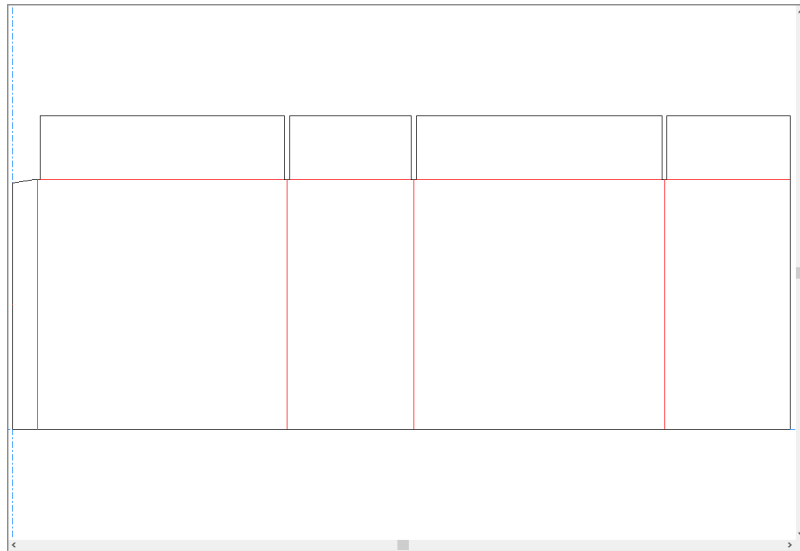


F70.62.00.00

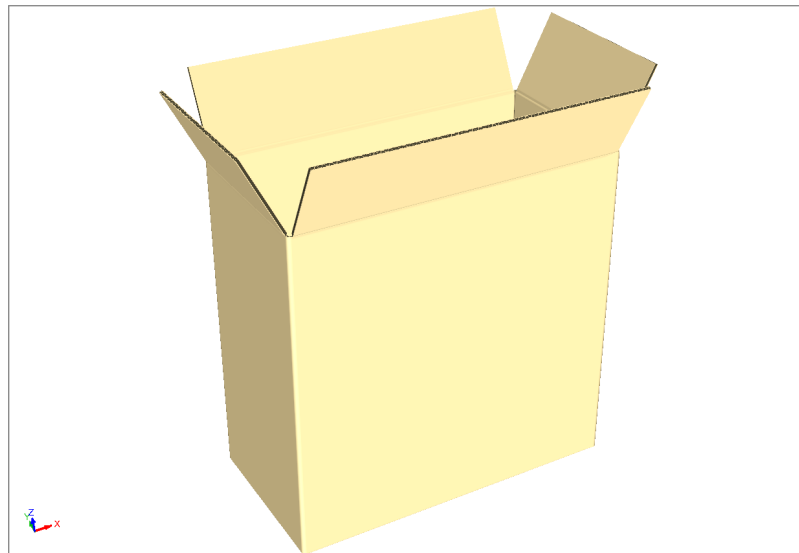
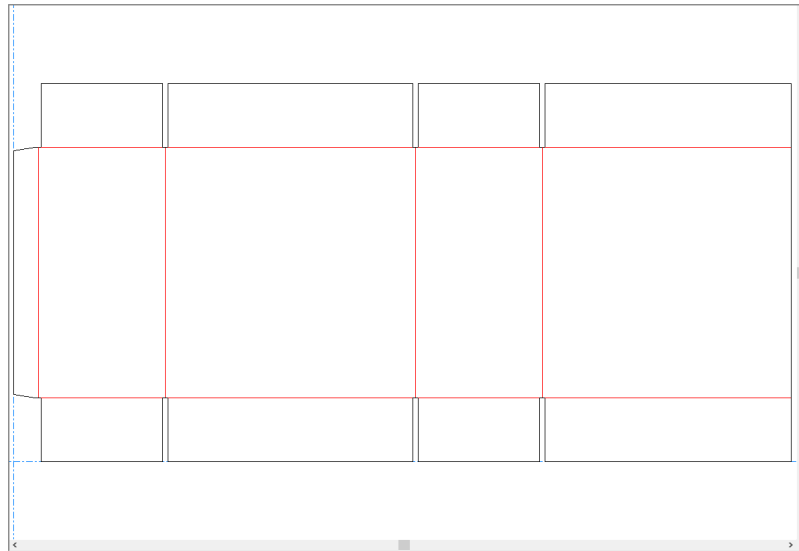


FEFCO

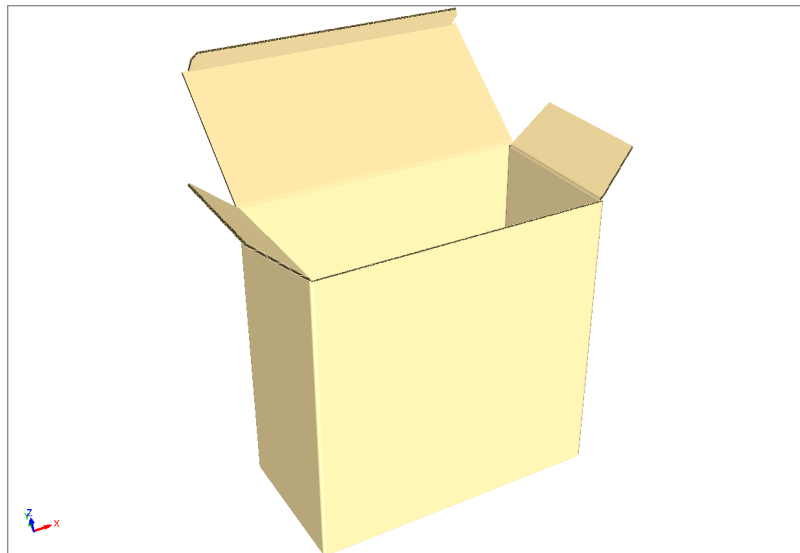
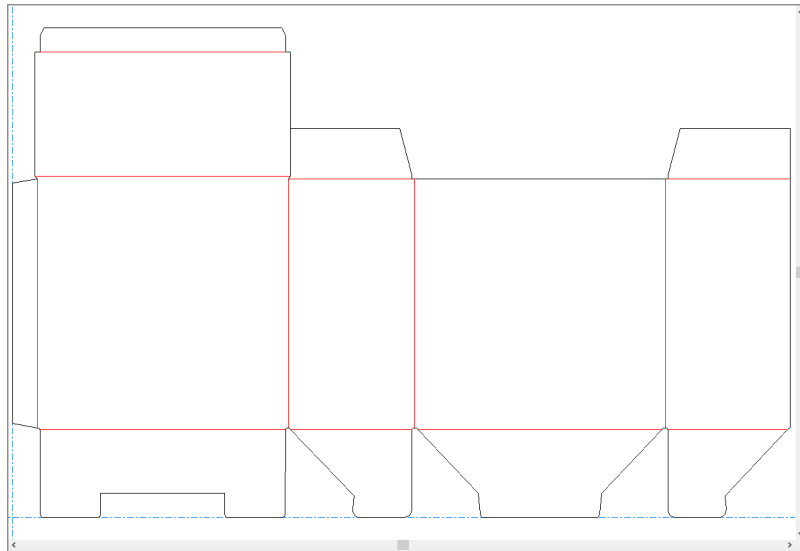
0200



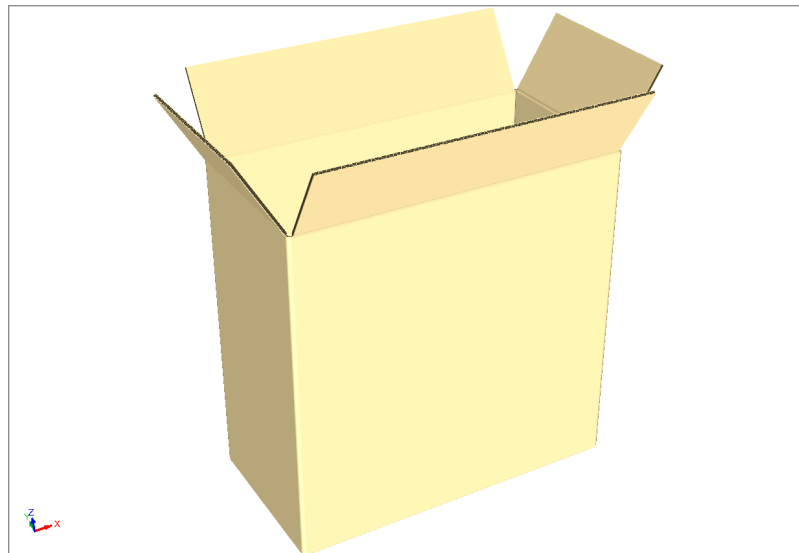
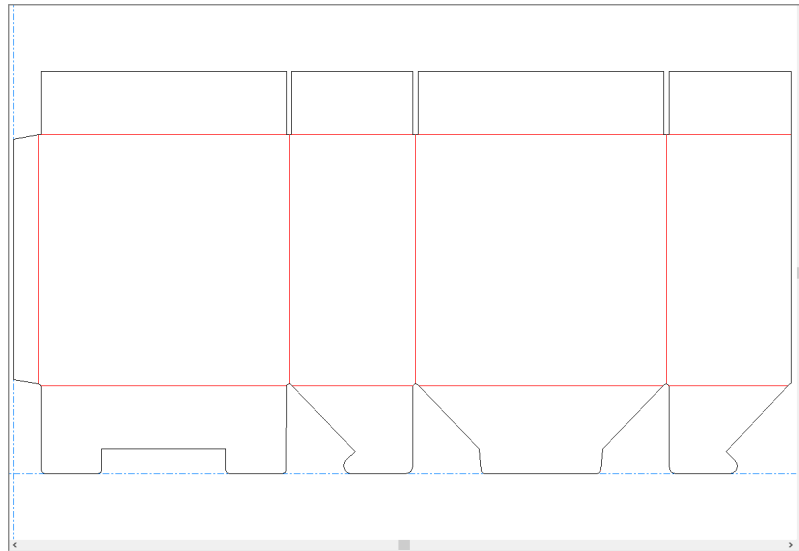
0201



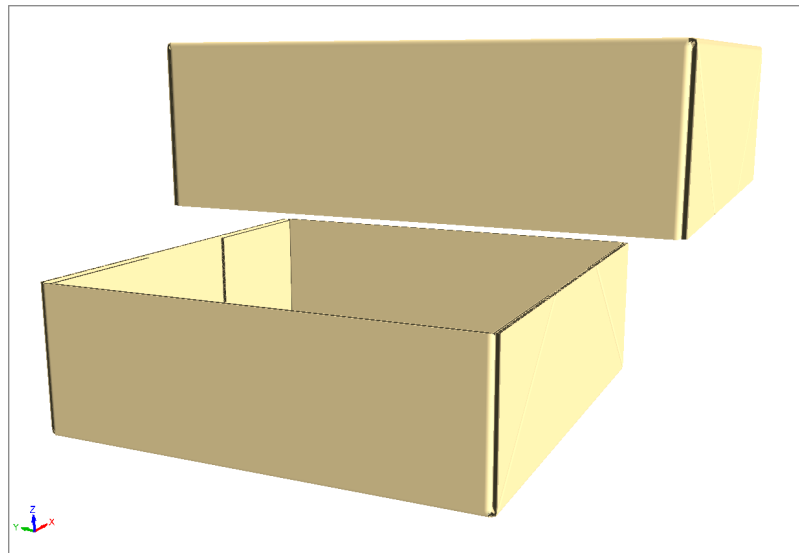
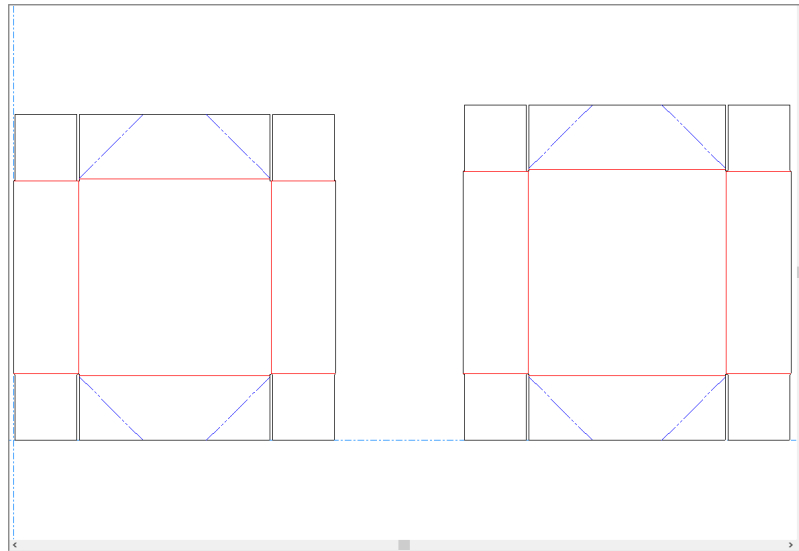
0215



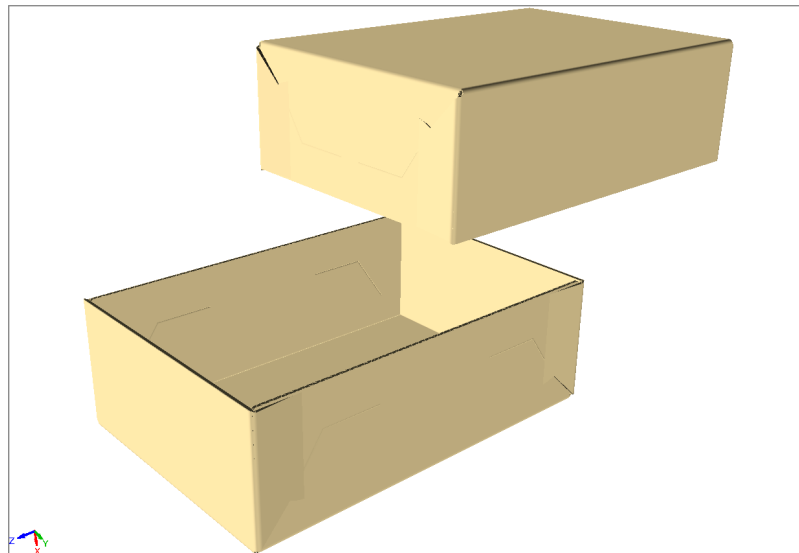
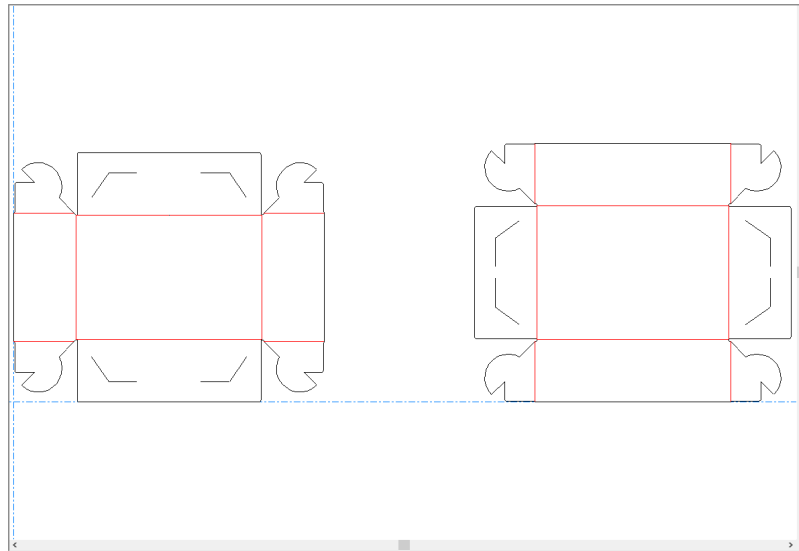
0216



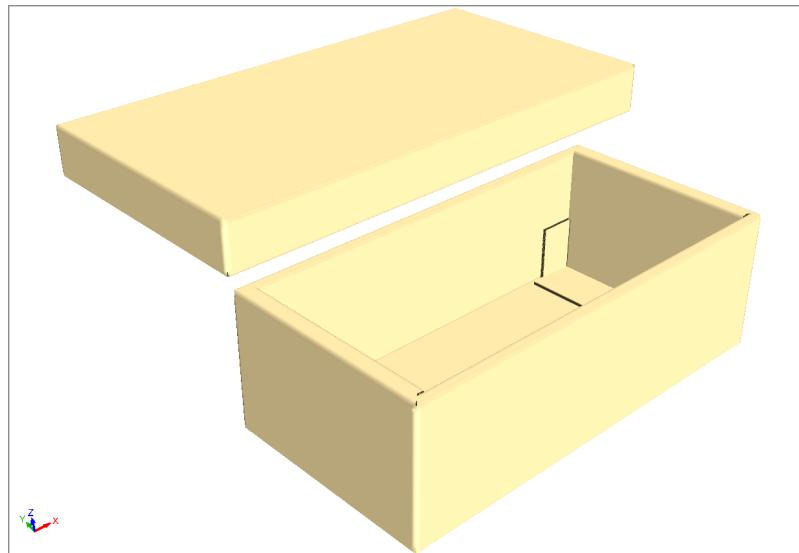
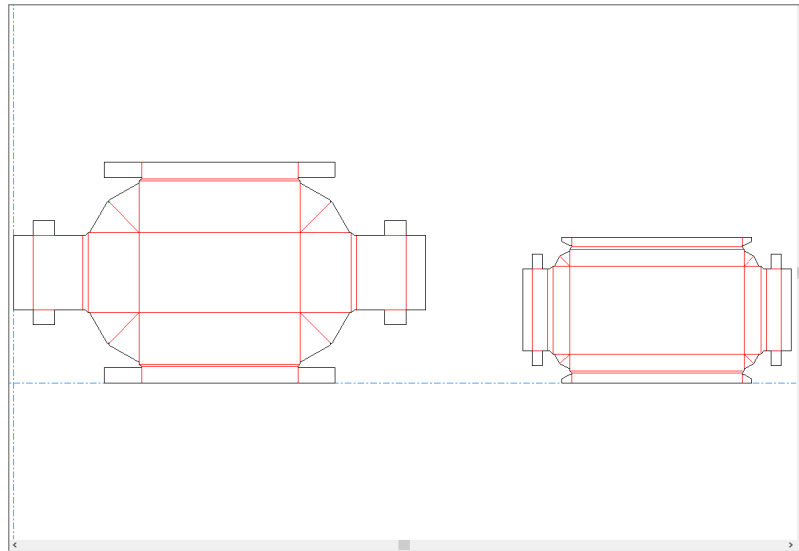
0304



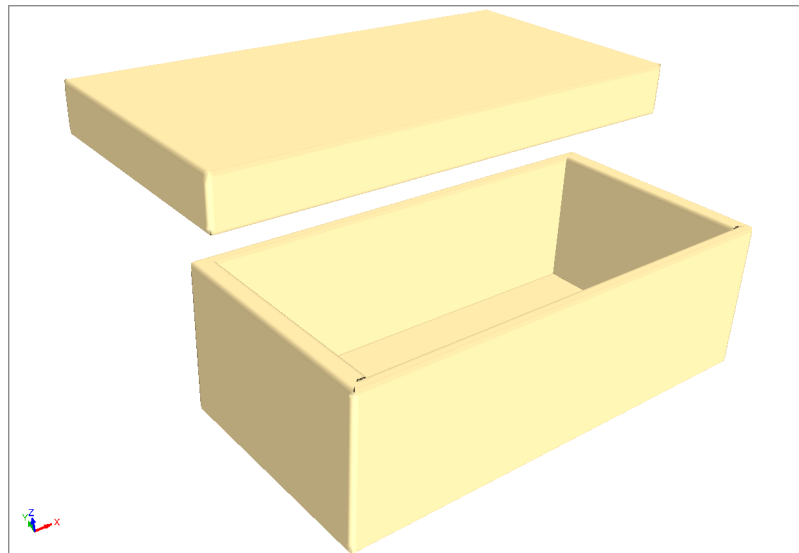
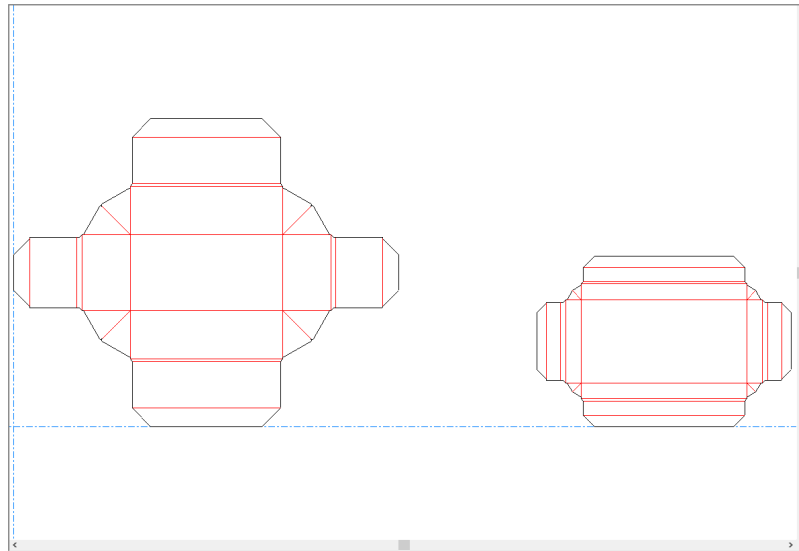
0307



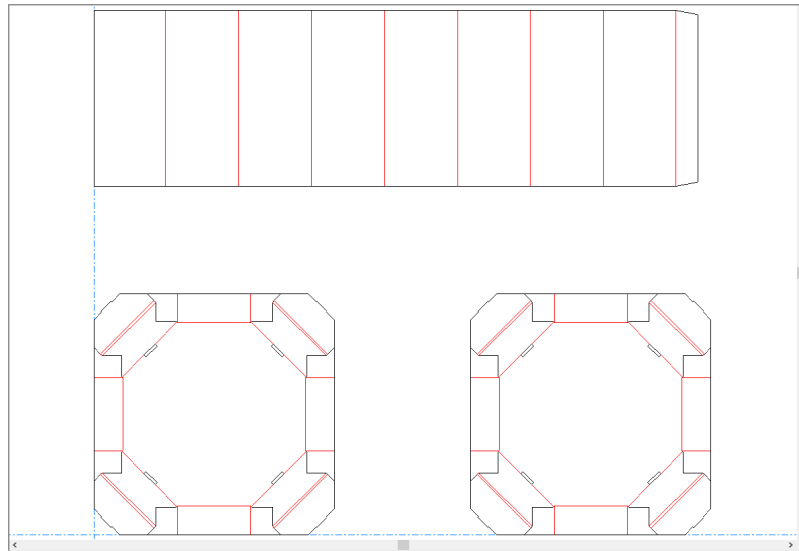
0322



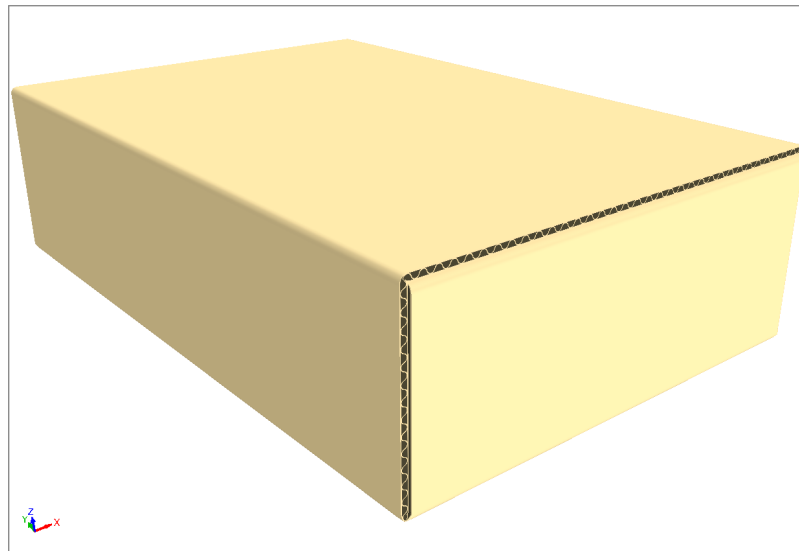
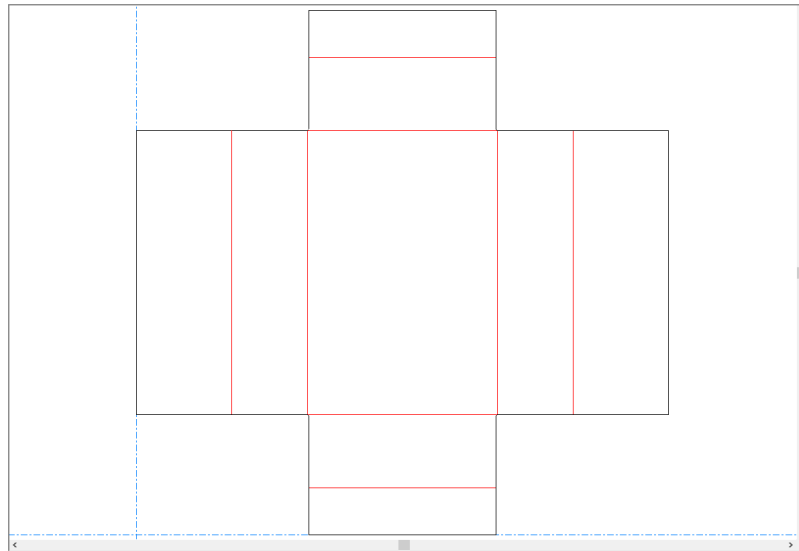
0323



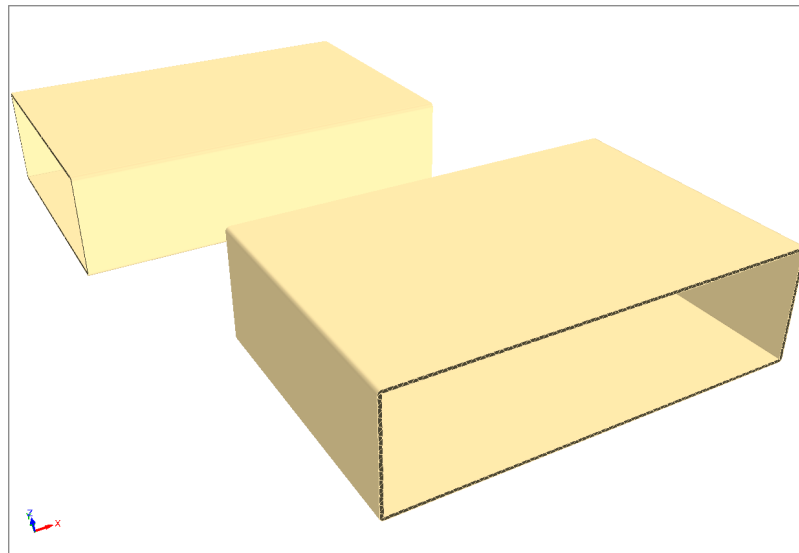
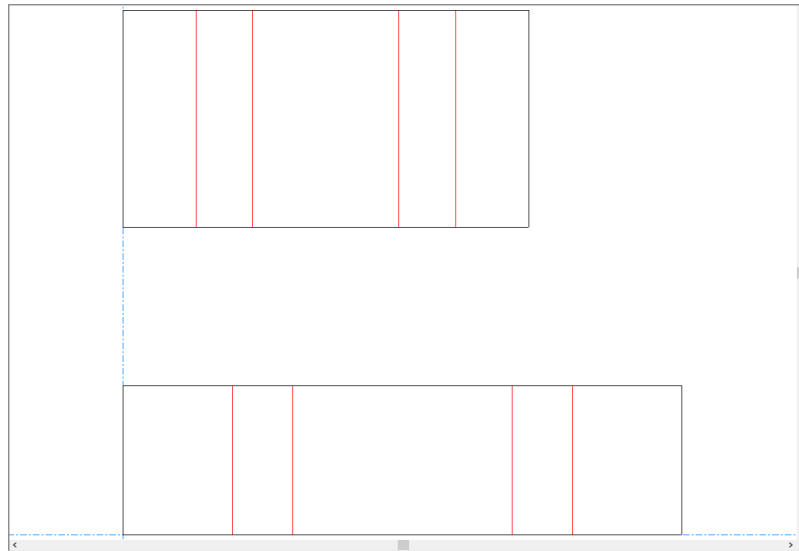
0351



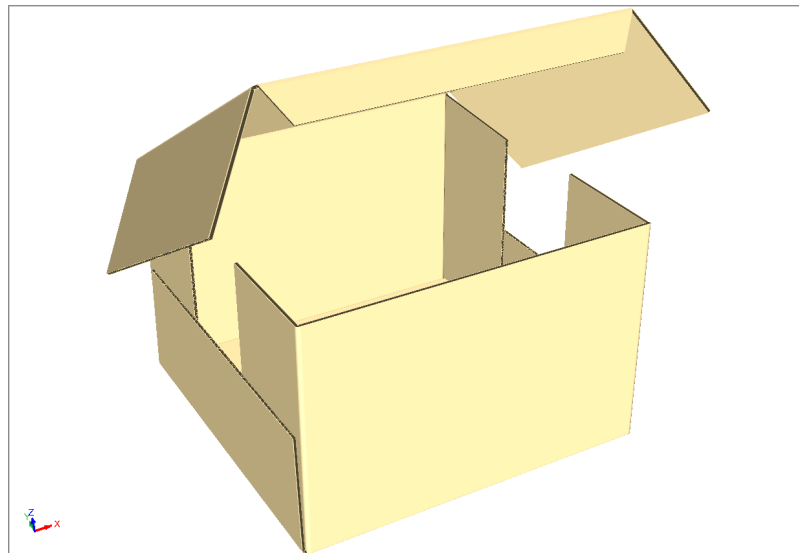
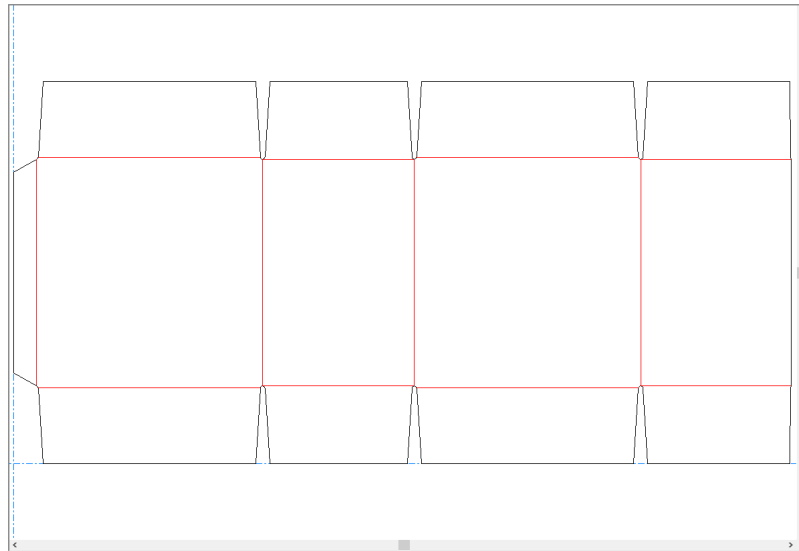
0401



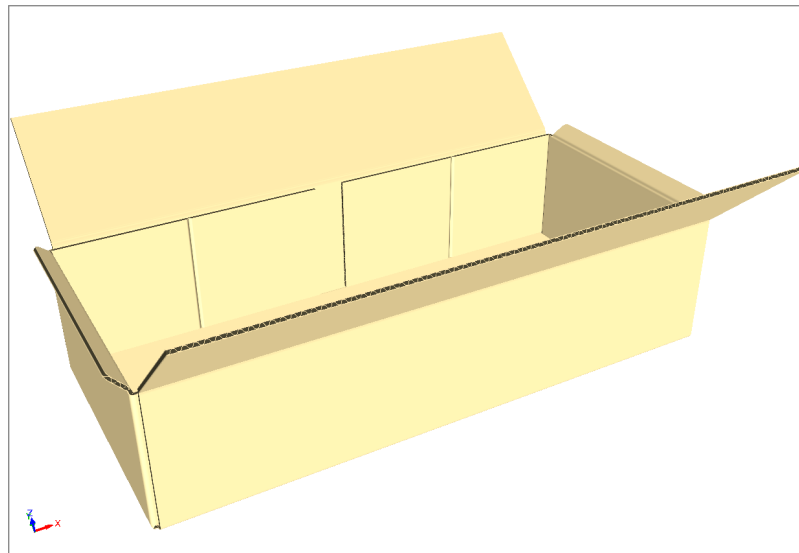
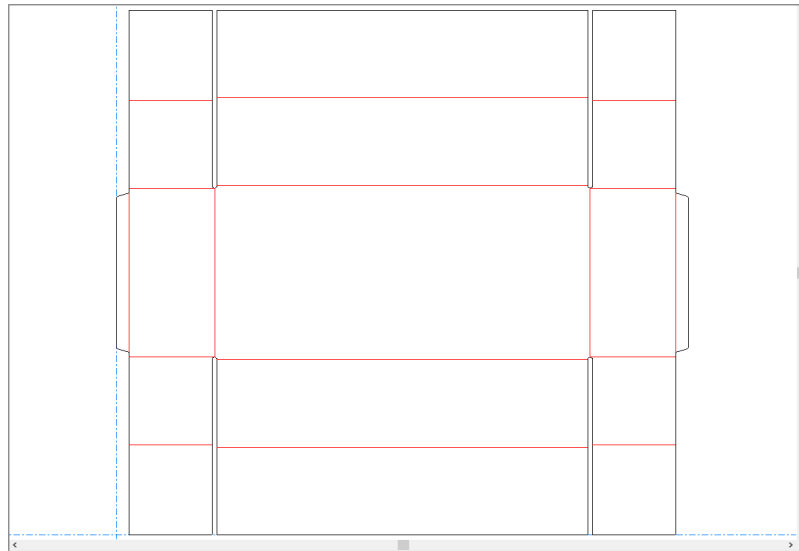
0404



0406



0412



0421

