

ArtiosCAD 23.07

What's New

Richard Deroo

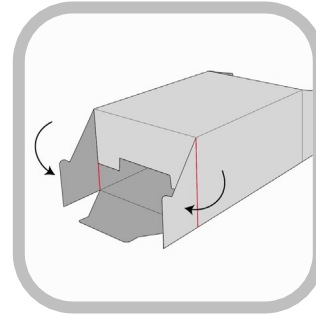
July 2023

ArtiosCAD 23.07 – Highlights



Cape Cloud Integration

- Right-size package design
- Simplify deployment with Cape Cloud



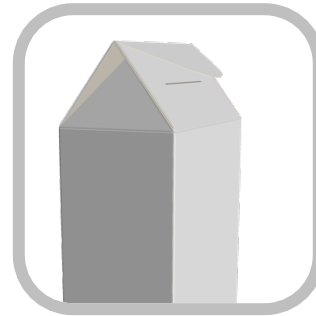
1-click folding

- Auto-fold snap-lock closures
- Knock-down and erect with a single click



Single Sign On for Enterprise

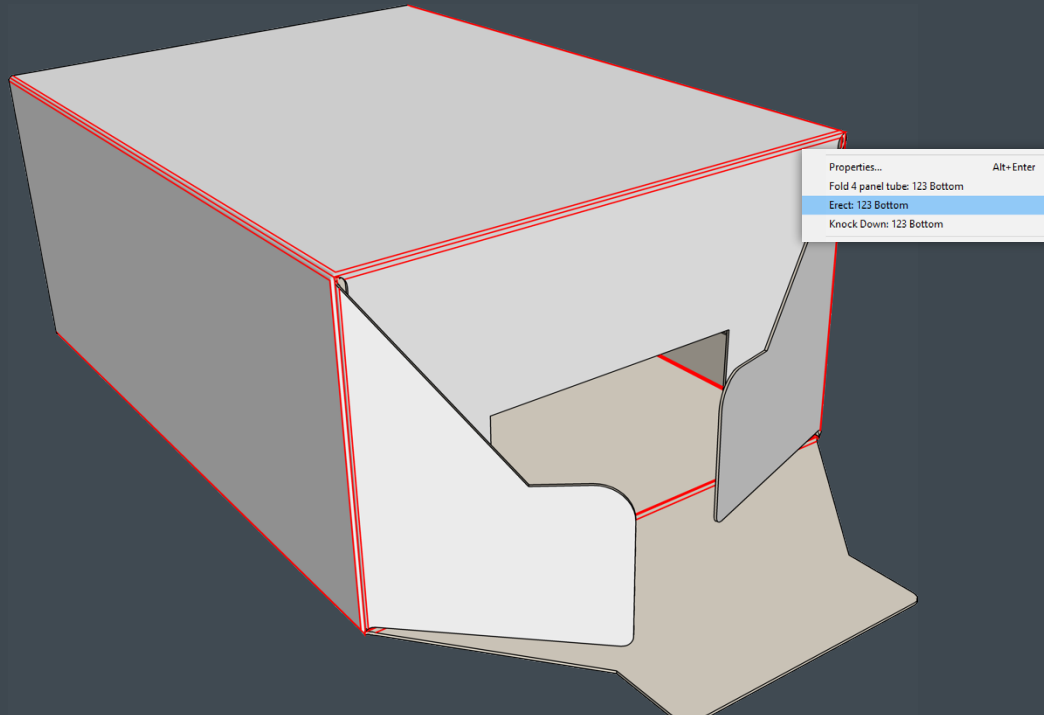
- Simplify user access
- Easier for IT to manage



Resizable Design Templates

- 24 ECMA (*full ECMA catalog complete*)
- 8 FEFCO

Automate: *Folding Snap-Lock (1-2-3) Closure Designs*



save up to 10
minutes/design

mate panels, fold-up and knock-down **fast and easy** with a single-click

Accelerate: *With Resizable Design Templates*

ECMA folding carton



*Note: The full ECMA catalog is **now complete** (254 styles)*

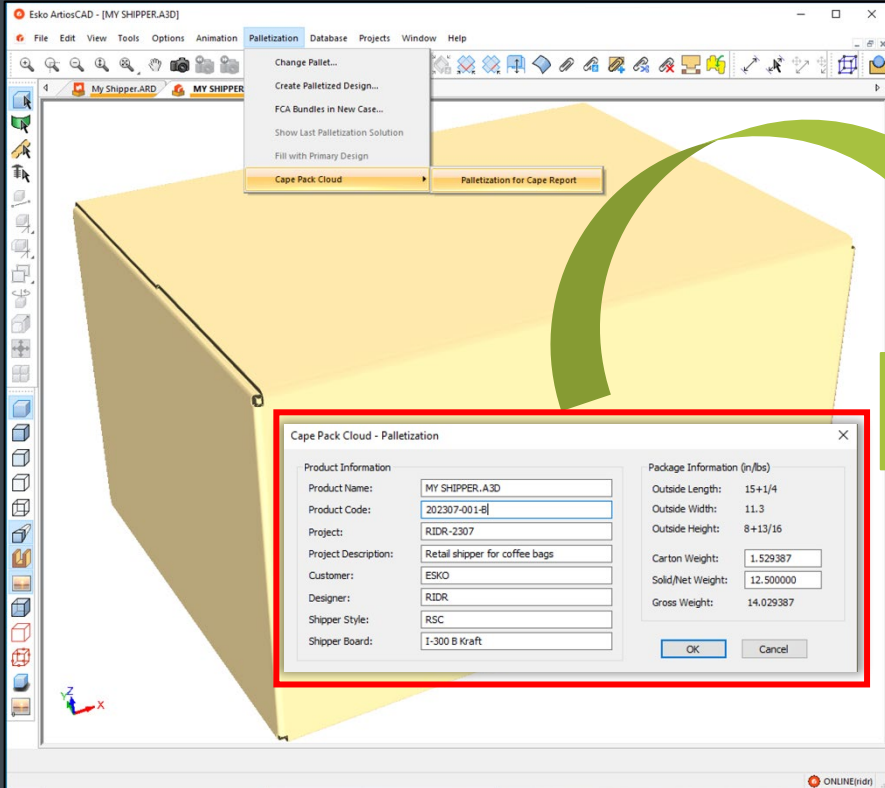
FEFCO corrugated



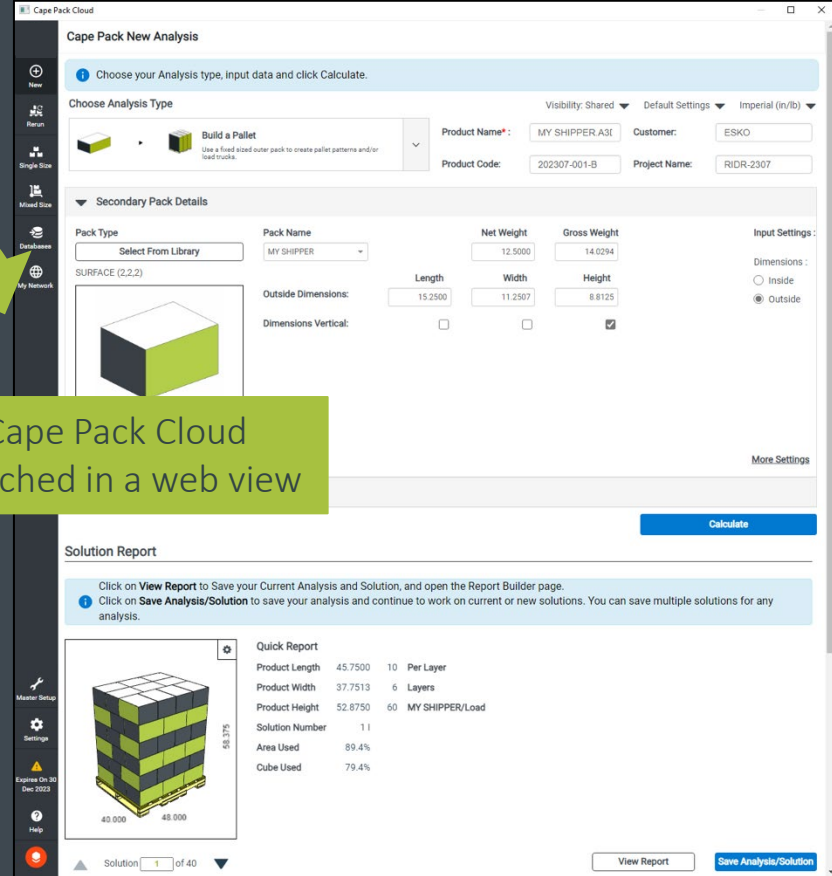
production-ready designs in seconds

largest catalog of parametric design templates (standards)

Connect: With Cape Cloud Integration



Cape Pack Cloud
launched in a web view



Connect: *With Single Sign-on for ArtiosCAD Enterprise*



ArtiosCAD

ARTIOSCAD
Structural Design for Packaging

Please log in

Address: <WCR> - <https://my-webcenter.com/WebCenter> Add...

Login In Options:

- Log in using username/password
- Log in using SSO
- Automatically start logging in next time
- Work offline

Username:

Password:

ArtiosCAD Enterprise 23.07
See legal notices in the About box.
Copyright © 2023 Esko Software BV - All Rights Reserved.

ESKO

- Same support as in WebCenter
- Simplify user access
- Easier for IT to manage



Thank you