

# ArtiosCAD 22.07

What's New

Richard Deroo

July 2022

# Resizable Design Templates

13 new **ECMA folding carton** designs added to the Style Catalog

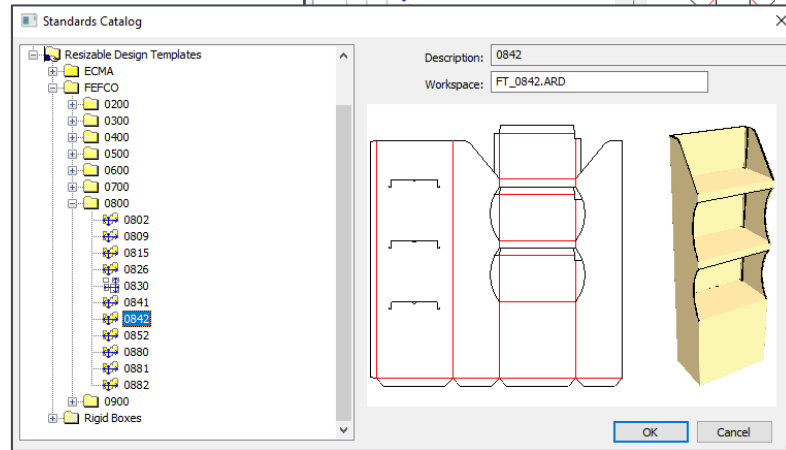
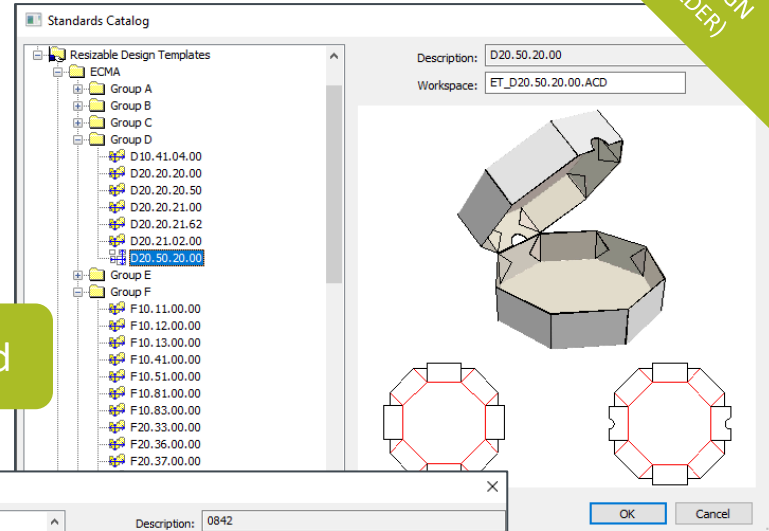


33 new designs added

20 new **FEFCO corrugated designs** added to the Style Catalog



*over 400 designs added since version 18*

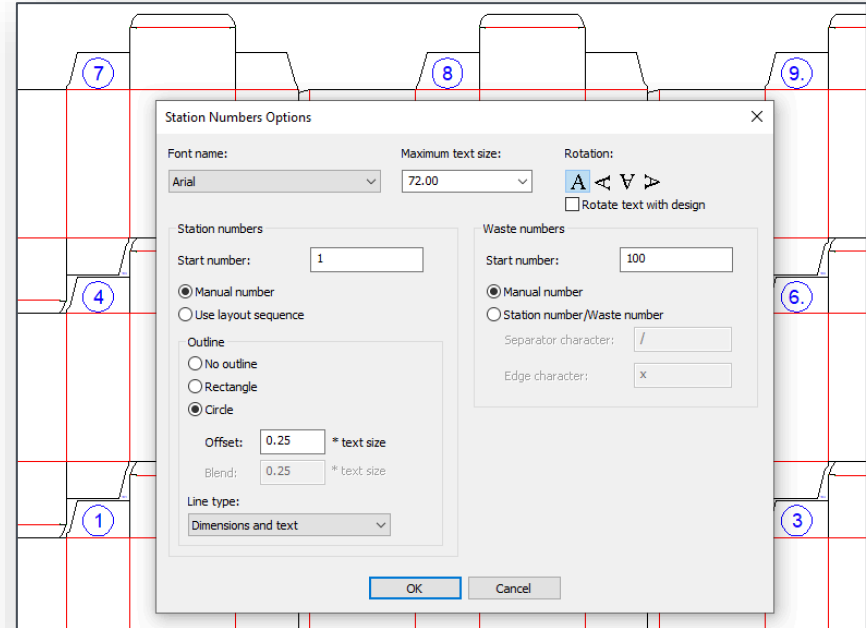


PART OF  
2D DESIGN  
(BUILDER)



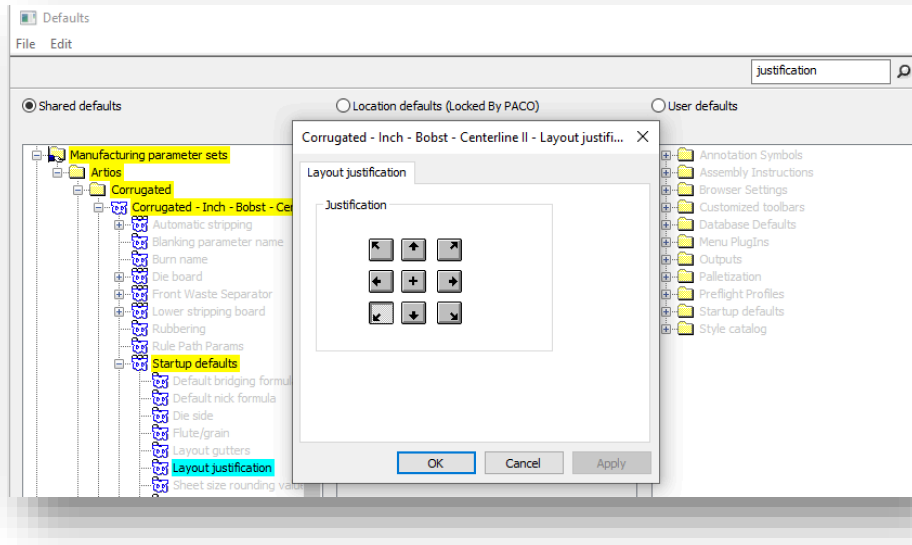
# Station Number Labeling – Enhancements

- **Simplified** re-numbering scheme
- Use **one-up manual/sequence** as the station position
- **Rotate text** for easier identification
- Enclose text with **circles or rectangles** for easier identification
- **Associate waste area with station numbers** for easier identification



# Manufacturing Enhancements

## New default setting for Layout justification



Incremental enhancements for:

- Stripping blocks
- Front waste separator (guillotine)
- Mounting bar

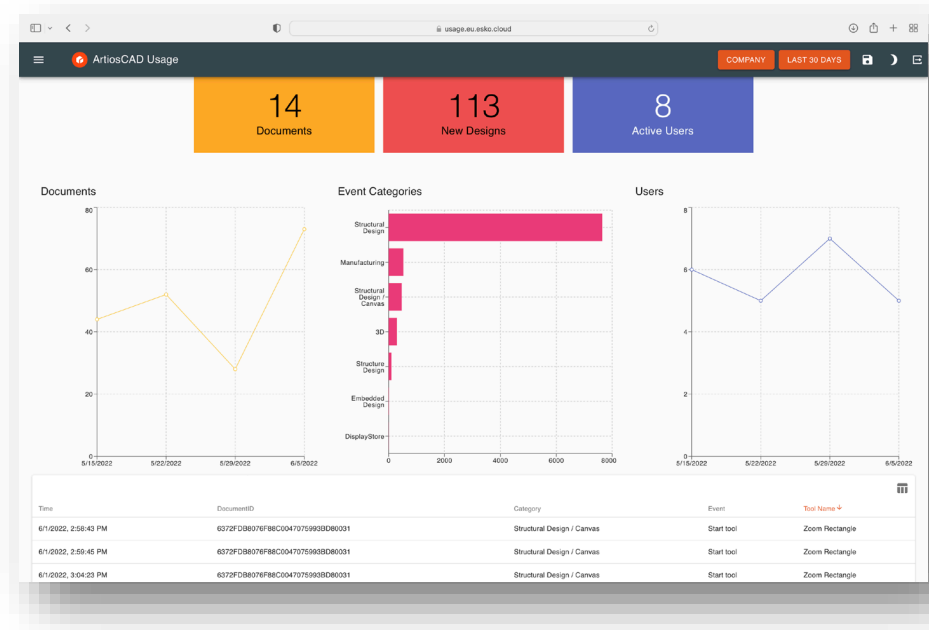
# Updated 3D Import Libraries



3D models in **SolidWorks 2022** format can easily be **imported** into ArtiosCAD 3D to design **right-sized packaging** for the product

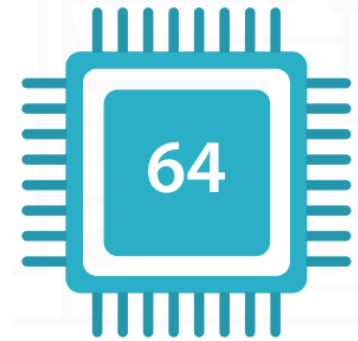
# Usage Dashboards

- Provides **greater insight** of the most valuable features and functions
- Highlight common user pain points to allow **prioritized product improvement**
- Help targeted training and e-learning content creation to **achieve higher return on your investment**



# Notes

- ArtiosCAD will be converted to a 64-bit application within the next two releases
- 32-bit support will be deprecated at this time, ArtiosCAD will not support:
  - 32-bit machines
  - 32-bit apps, like MS Outlook





Thank you