

ArtiosCAD 22.07

Style Catalog Reference

08 - 2022

Contents

1. Location and Copyright.....	21
2. Welcome.....	23
Introduction.....	23
3. Corrugated Standards.....	24
One piece containers/1 side rollovers.....	24
31010W - 1 side rollover - Cover flaps.....	24
31015W - 1 side rollover - Cover flaps & lock.....	24
31020W - 1 side rollover - Ears.....	26
31025W - 1 side rollover - Ears & lock.....	27
31026W - 1 side rollover - Ears & lock/dust flaps off cover.....	28
31021W - 1 side rollover - Ears / dust flaps off cover.....	28
One piece containers/2 side rollovers.....	30
32015W - 2 side rollover - Cover flaps.....	30
32025W - 2 side rollover - Cover flaps & ears.....	31
32030W - 2 side rollover - Cover panels meet.....	32
32035W - 2 side rollover - Cover panels meet/with flaps.....	34
32020W - 2 side rollover - Ears.....	35
32010W - 2 side rollover - Tuck.....	37
One piece containers/3 side rollovers.....	38
71035W - 3 side rollover - Angled side/header slots.....	38
33015W - 3 side rollover - Cover flaps.....	40
33010W - 3 side rollover - Tuck.....	41
One piece containers/Center joint.....	43
36025W - Center joint - With dust & cover flaps.....	43
36020W - Center joint - With dust flaps.....	44
36010W - Center joint - Without dust flaps.....	46
One piece containers/Swing-in rollover.....	47
34011W - Swing-in rollover.....	47
34020W - Swing-in rollover.....	49
34010W - Swing-in rollover - Tuck.....	50
One piece containers/Wrap around.....	51
36030W - Wrap-around - Tuck with optional lock.....	51
36035W - Wrap-around - Tuck/cover flaps/optional lock.....	52
Trays.....	53
71035W - Trays - Angled side/with header slots.....	53
42020W - Trays - Four side rollover.....	55
42030W - Trays - Preglued infold.....	56
42035W - Trays - Preglued outfold.....	57

42010W - Trays - Two side rollover.....	58
FEFCO Standards - 200 Series.....	59
F0200.....	59
F0201.....	61
F0202.....	62
F0203.....	64
F0204.....	65
F0205.....	67
F0206.....	68
F0208.....	70
F0209.....	71
F0210.....	73
F0211.....	75
F0212.....	76
F0214.....	78
F0215.....	80
F0216.....	82
F0217.....	84
F0225.....	85
F0226.....	87
F0227.....	89
F0228.....	90
F0229.....	91
F0230.....	93
F0231.....	94
FEFCO Standards - 300 Series.....	96
F0300 Base.....	96
F0300 Lid.....	97
F0301 Base.....	99
F0301 Base.....	100
F0301 Lid.....	102
F0302 Base.....	104
F0302 Lid.....	106
F0303 Base.....	108
F0303 Lid.....	110
F0304 Base.....	112
F0304 Lid.....	114
F0306 Base.....	116
F0306 Lid.....	118
F0308 Base.....	120
F0308 Lid.....	122
F0309 Base.....	124
F0309 Lid.....	126

F0310 Body.....	128
F0310 Cover.....	130
F0311 Body.....	132
F0311 Cover.....	133
F0312 Body.....	135
F0312 Cover.....	137
F0313 Body.....	138
F0313 Cover.....	140
F0314a.....	141
F0320 Body.....	143
F0320 Cover.....	144
F0321 Body.....	146
F0321 Cover.....	147
F0325 Body.....	149
F0325 Cover.....	150
F0330.....	152
F0351a.....	153
F0351b.....	155
FEFCO Standards - 400 Series.....	157
F0401.....	157
F0402.....	159
F0403.....	160
F0404 Body.....	162
F0404 Caps.....	164
F0405 Body.....	165
F0405 Caps.....	167
F0406.....	168
F0409.....	170
F0410.....	172
F0411.....	173
F0412.....	174
F0413.....	176
F0415.....	178
F0416.....	180
F0420.....	181
F0421.....	183
F0422.....	184
F0423.....	186
F0424.....	187
F0425.....	188
F0426.....	190
F0427.....	191
F0428.....	193

F0429.....	195
F0430.....	197
F0435.....	198
F0440.....	200
F0441.....	202
F0442.....	203
F0443.....	205
F0444.....	207
F0447.....	208
F0450.....	210
F0451.....	212
F0452.....	214
F0453.....	216
F0454.....	218
F0455.....	220
F0456.....	222
F0458.....	224
F0459.....	226
F0460.....	227
F0470.....	229
F0471.....	231
F0472.....	233
F0473.....	235
FEFCO Standards - 500 Series.....	237
F0501.....	237
F0502.....	239
F0503.....	239
F0510 Body.....	240
F0510 End Panel.....	241
F0511 Body.....	242
F0511 End Panel.....	244
F0512 Body.....	245
F0512 End Panel.....	247
FEFCO Standards - 600 Series.....	248
F0601 Body.....	248
F0601 End Panel.....	250
F0602 Body.....	251
F0602 End Panel.....	253
F0605 Body.....	254
F0605 End Panel.....	256
F0606.....	257
F0606a.....	259
F0606b.....	261

F0607 Body.....	263
F0607 End Panel.....	265
F0608 Body.....	266
F0608 End Panel.....	268
F0610 Body.....	269
F0610 End Panel.....	271
F0615.....	272
F0615a.....	274
F0615b.....	276
F0616 Body.....	278
F0616 End Panel.....	279
F0620 Body.....	280
F0620 End Panel.....	282
F0621.....	283
FEFCO Standards - 700 Series.....	285
F0700.....	285
F0711.....	286
F0712.....	288
F0713.....	289
F0718.....	290
F0747.....	292
F0748.....	294
F0752.....	295
F0759.....	297
F0760.....	299
F0761.....	301
FEFCO Standards - 900 Series.....	303
F0900.....	303
F0901.....	303
F0902.....	304
F0903.....	304
F0904.....	305
F0905.....	306
F0906.....	307
F0907.....	308
F0908.....	308
F0909.....	309
F0910.....	310
F0911.....	311
F0912.....	312
F0913.....	313
F0920.....	315
F0921.....	315

F0929 Length Partition.....	316
F0929 Width Partition.....	318
F0930 Length Partition.....	319
F0930 Width Partition.....	321
F0931 Length Partition.....	322
F0931 Width Partition.....	324
F0932 Length Partition.....	325
F0932 Width Partition.....	326
F0933 Length Partition.....	327
F0933 Width Partition.....	329
F0934 Length Partition.....	330
F0934 Width Partition.....	331
F0935 Divider.....	333
F0935 Length Partition.....	334
F0935 Width Partition.....	335
F0940.....	337
F0941.....	337
F0942.....	338
F0943.....	340
F0944.....	341
F0945.....	342
F0946.....	343
F0947.....	344
F0948.....	345
F0949.....	347
F0950.....	348
F0951.....	350
F0965.....	351
F0966.....	352
F0967.....	353
F0970.....	354
F0971.....	355
F0972.....	356
F0973.....	356
F0974.....	358
F0975.....	359
F0976.....	361
4. Display Standards.....	363
Bins.....	363
Hexagonal Bin.....	363
Hexagonal Bin - Dispenser Bottom.....	364
Hexagonal Bin - Dispenser Center.....	366
Hexagonal Bin - Header.....	368

Pallet Base with Cross Lock.....	370
Pallet with Lid.....	371
Countertop Displays.....	372
Angular Card Dispenser.....	373
Angular Card Holder.....	374
Angular Dispenser.....	375
Auto Bottom Dispenser.....	376
Card Dispenser With Header.....	377
Countertop Display With Self Lock.....	378
Countertop Display With Shelves.....	379
One Piece Countertop Display.....	380
Straight Card Holder.....	381
Tray With Header.....	382
Display bases.....	383
All side slope base.....	383
Angle Base End Joint.....	384
Angle Base Half Base.....	386
Display Base2- Center Joint Flg1.....	388
Display Base 2-End Joint Flg.....	390
Display Base 3-End Joint.....	392
Display Base-Center Joint.....	394
Display Base-End Joint1.....	396
Pallet Base.....	398
Step Base-End Joint-Flange.....	400
Display Headers.....	401
Counter Tray Header 2.....	401
Counter Tray Header 4.....	403
Display Tray Header.....	405
Display Tray Header 2.....	407
Display Trays.....	409
4 Cell Power Wing Tray.....	409
Display Tray With Dividers.....	411
Self Ship Double Back.....	412
Shelf Displayer1.....	414
Slope Stack Side.....	415
SS DBL BTM.....	417
SS Lean Front.....	419
SS SNG Back 1VS.....	420
SS Tray Double BTM.....	422
SS Tray No Back Double BTM.....	424
SS Tray Triple BTM.....	426
SS Tray W Header.....	428
Tray with Divider.....	431

Easels.....	432
Double Wing Easel.....	432
Double Wing Easel Small.....	433
Single Wing Easel.....	435
Fillers.....	437
5 Panel Roll.....	437
9 Panel Fill.....	439
9 Panel Roll.....	440
9 Panel unev.....	441
Bowtie.....	442
Patryfl.....	443
Standalone Displays.....	445
Angular Display with Shelves.....	445
Display Base.....	447
Display Stand.....	448
Display Stand with Trays.....	449
5. Folding Carton Standards.....	450
Sleeves.....	450
111.01.ARD - Standard sleeve.....	450
Friction tuck tops/bottoms.....	451
122.05.ARD - Reverse top tuck on 2nd.....	451
121.05.ARD - Reverse top tuck on 4th.....	452
123.05.ARD - Straight tuck top on 2nd.....	454
124.05.ARD - Straight tuck top on 4th.....	455
Friction Tuck Tops/Unituck bottom.....	456
122.01.ARD - Reverse top tuck on 2nd.....	456
121.01.ARD - Reverse tuck top on 4th.....	458
123.01.ARD - Straight tuck top on 2nd.....	459
124.01.ARD - Straight tuck top on 4th.....	460
Friction tuck tops/Slit lock bottom.....	462
122.03.ARD - Reverse top tuck on 2nd.....	462
121.03.ARD - Reverse tuck top on 4th.....	463
123.03.ARD - Straight tuck top on 2nd.....	465
124.03.ARD - Straight tuck top on 4th.....	466
Friction tuck tops/Houghland bottom.....	468
141.10.ARD - Tuck on 2nd - Tab on 2nd.....	468
141.04.ARD - Tuck on 2nd - Tab on 4th.....	469
141.07.ARD - Tuck on 4th - Tab on 2nd.....	471
141.01.ARD - Tuck on 4th - Tab on 4th.....	472
Friction tuck tops/Full flap auto bottom.....	474
151.04.ARD - Tuck top on 2nd.....	474
151.01.ARD - Tuck top on 4th.....	475
Friction tuck tops/Inturn auto bottom.....	477

152.04.ARD - Tuck top on 2nd.....	477
152.01.ARD - Tuck top on 4th.....	478
Unituck slit lock top and bottom.....	479
122.07.ARD - RT top tuck on 2nd.....	479
121.07.ARD - RT top tuck on 4th.....	481
123.07.ARD - ST top tuck on 2nd.....	482
124.07.ARD - ST top tuck on 4th.....	484
Unituck slit lock top/Houghland bottom.....	485
141.11.ARD - Tuck on 2nd - tab on 2nd.....	485
141.05.ARD - Tuck on 2nd - tab on 4th.....	487
141.08.ARD - Tuck on 4th - tab on 2nd.....	488
141.02.ARD - Tuck on 4th - tab on 4th.....	490
Unituck Slit Lock Top/Full flap auto bottom.....	491
151.05.ARD - Tuck top on 2nd.....	491
151.02.ARD - Tuck top on 4th.....	493
Unituck slit lock top/Inturn auto bottom.....	494
152.05.ARD Tuck top on 2nd.....	494
152.02.ARD - Tuck top on 4th.....	496
Standard slit lock top/Standard slit lock bottom.....	497
122.09.ARD - RT top tuck on 2nd.....	497
121.09.ARD - RT top tuck on 4th.....	499
123.09.ARD - ST top tuck on 2nd.....	500
124.09.ARD - ST top tuck on 4th.....	502
Standard slit lock top/Houghland bottom.....	503
141.12.ARD - Tuck on 2nd - tab on 2nd.....	503
141.06.ARD - Tuck on 2nd - tab on 4th.....	505
141.09.ARD - Tuck on 4th - tab on 2nd.....	506
141.03.ARD - Tuck on 4th - tab on 4th.....	508
Standard slit lock top/Full flap auto bottom.....	509
151.06.ARD - Tuck on 2nd.....	509
151.03.ARD - Tuck on 4th.....	511
Standard slit lock top/Inturn auto bottom.....	512
152.06.ARD - Tuck top on 2nd panel.....	512
152.03.ARD - Tuck top on 4th panel.....	514
Partial/full overlap seal ends.....	515
131.01.ARD - Flap style #1.....	515
131.04.ARD - Flap style #2.....	517
131.05.ARD - Flap style #3.....	518
131.06.ARD - Flap style #4.....	520
131.07.ARD - Flap style #5.....	521
Trays/Beers.....	523
222.05.ARD - 6 corner.....	523
222.02.ARD - Standard/Full drag.....	524

Trays/Brightwoods.....	526
261.01.ARD - Double sidewall/Double endwall - Flap style #1.....	526
261.02.ARD - Double sidewall/Double endwall/Flap style #2.....	528
261.03.ARD - Double sidewall/Double endwall/Flap style #3.....	530
241.01.ARD - Single sidewall/Double endwall/Flap style #1.....	532
241.02.ARD - Single sidewall/Double endwall/Flap style #2.....	534
241.03.ARD - Single sidewall/Double endwall/Flap style #3.....	536
221.01.ARD - Single sidewall/Single endwall/Flap style #1.....	538
221.03.ARD - Single sidewall/Single endwall/Flap style #2.....	540
221.05.ARD - Single sidewall/Single endwall/Flap style #3.....	542
Trays/Infold-Outfold.....	544
223.02.ARD - Infold/Outfold.....	544
Trays/Kwikset.....	546
251.01.ARD - Kwikset tray with reinforcing tabs.....	546
251.04.ARD - Standard Kwikset tray.....	548
Trays/Walker locks.....	550
281.01.ARD - Walker lock.....	550
281.02.ARD - Walker lock 2/tri-seal lid.....	552
ECMA.....	554
100.01.....	554
110.01.....	556
120.01.....	558
130.01.....	560
140.01.....	562
150.01.....	564
160.01.....	566
170.01.....	568
171.01.....	570
180.01.....	572
50.01a.....	574
60.01.....	576
70.01.....	578
80.01.....	580
90.01.....	582
6. Resizable Design Templates.....	585
ECMA.....	585
A Series.....	585
A01.01.00.00.....	585
A01.15.00.03.....	586
A01.55.00.01.....	587
A01.60.00.00.....	588
A01.70.00.00.....	589
A01.75.00.03.....	590

A10.01.03.00.....	591
A10.10.03.03.....	592
A10.20.03.03.....	593
A10.75.03.03.....	594
A11.11.03.01.....	595
A11.11.03.03.....	596
A11.20.03.03.....	597
A20.01.03.00.....	598
A20.11.03.01.....	599
A20.15.03.03.....	600
A20.20.01.01.....	601
A20.20.01.03.....	602
A20.20.03.01.....	603
A20.20.03.03.....	604
A20.21.03.03.....	605
A20.50.03.01.....	606
A20.82.01.00.....	607
A55.01.01.00.....	608
A55.10.01.03.....	609
A55.11.01.03.....	610
A55.20.01.01.....	611
A55.20.01.03.....	612
A55.20.01.04.35.....	613
A55.21.01.03.....	614
A55.75.01.03.....	615
A60.01.00.00.....	616
A60.10.00.03.....	617
A60.11.00.01.....	618
A60.11.00.03.....	619
A60.15.00.03.....	620
A60.20.00.01.....	621
A60.20.00.03.....	622
A60.20.00.04.35.....	623
A60.21.00.01.....	624
A60.21.00.03.....	625
A60.75.00.03.....	626
A61.01.01.00.....	627
A61.10.01.03.....	628
A61.11.01.03.....	629
A61.15.01.03.....	630
A61.20.01.03.....	631
A61.21.01.03.....	632
A70.70.00.00.....	633

A80.20.02.02.....	634
A82.82.00.00.....	635
B Series.....	636
B10.01.00.00.....	636
B10.02.00.00.....	637
B10.04.00.00.....	638
B11.02.00.00.....	639
B14.02.00.00.....	640
B14.05.00.00.....	641
B15.06.00.00.....	642
B15.06.00.53.....	643
B15.06.00.60.....	644
B15.07.82.00.....	645
B20.01.00.00.....	646
B20.01.00.50.....	647
B20.01.82.50.....	648
B20.01.82.53.....	649
B20.04.00.00.....	650
B31.02.00.00.....	651
B31.04.00.00.....	652
B32.02.00.00.....	653
B40.20.82.50.....	654
B40.20.83.53.....	655
B40.20.84.00.....	656
B40.21.00.00.....	657
B40.22.00.00.....	658
B40.22.00.61.....	659
B44.20.00.00.....	660
B44.20.82.00.....	661
B44.23.82.00.....	662
B48.02.00.00.....	663
B48.20.00.00.....	664
B48.21.00.00.....	665
B49.20.00.00.....	666
B49.21.00.51.....	667
C Series.....	668
C10.10.10.10.....	668
C10.10.20.20.....	669
C10.40.20.20.....	670
C10.40.55.20.....	671
C10.40.60.20.....	672
C10.40.90.90.....	673
C10.50.11.11.....	674

C20.20.10.10.....	675
C20.20.20.20.....	676
C20.20.55.20.....	677
C20.20.60.20.....	678
C20.30.11.11.....	679
C30.10.01.11.....	680
C20.40.11.11.....	681
D Series.....	682
D10.41.04.00.....	682
D20.20.20.00.....	683
D20.20.20.50.....	684
D20.20.21.00.....	685
D20.20.21.62.....	686
D20.21.02.00.....	687
D20.50.20.00 Canvas.....	688
E Series.....	689
E10.11.00.00.....	689
E10.20.00.00.....	690
E10.21.00.00.....	691
E10.30.00.00.....	692
E11.20.00.00.....	693
E12.20.00.00.....	694
E12.30.00.00.....	695
E14.11.00.00.....	696
E14.20.00.00.....	697
E14.21.00.00.....	698
E14.30.00.00.....	699
E15.20.00.00.....	700
E16.20.00.00.....	701
E20.20.00.00.....	702
E20.21.00.00.....	703
E21.10.00.00.....	704
E21.20.00.00.....	705
E22.10.00.00.....	706
E22.20.00.00.....	707
E23.20.00.00.....	708
E31.20.00.00.....	709
E40.82.00.00.....	710
F Series.....	711
F10.12.00.00.....	711
F10.13.00.00.....	712
F10.41.00.00.....	713
F10.51.00.00.....	714

F10.81.00.00.....	715
F10.83.00.00.....	716
F20.33.00.00.....	717
F20.36.00.00.....	718
F20.37.00.00.....	719
F20.41.00.00.....	720
F20.42.00.00.....	721
F20.51.00.00 Canvas.....	722
F20.53.00.00.....	723
F20.60.00.00.....	724
F40.71.00.00.....	725
F50.04.00.00.....	726
F50.21.00.00.....	727
F60.02.00.00.....	728
F60.11.00.00.....	729
F60.32.00.00.....	730
F60.91.00.00.....	731
F60.93.00.00.....	732
F70.01.00.00.....	733
F70.51.00.00.....	734
F70.54.00.00.....	735
F70.62.00.00.....	735
F80.21.00.00.....	736
F80.22.00.00.....	737
F80.23.00.00.....	738
F80.51.00.00.....	739
F80.52.00.00.....	740
F80.53.00.00.....	741
X Series.....	742
X11.....	742
X12.....	743
X13.....	744
X14.....	745
X21.....	746
X22.....	747
X23.....	748
X25.....	749
X26.....	750
X27.....	751
X29.....	752
X31.....	753
X32.....	754
X33.....	755

X35.....	756
X36.....	757
X38.....	758
X42.....	759
X44.....	760
X45.....	761
X62.....	762
X64.....	763
X66.....	764
X72.....	765
X81.....	766
X84.....	767
FEFCO.....	768
0200 Series.....	768
0200.....	768
0201.....	769
0203.....	770
0210.....	771
0211.....	772
0212.....	773
0214.....	774
0215.....	775
0216.....	776
0230.....	777
0231.....	778
0232.....	779
0300 Series.....	780
0304.....	780
0307.....	781
0309 Canvas.....	782
0310 Canvas.....	783
0312 Canvas.....	784
0313 Canvas.....	785
0314 Canvas.....	786
0320 Canvas.....	787
0321 Canvas.....	788
0322.....	789
0323.....	790
0325 Canvas.....	791
0330 Canvas.....	792
0331 Canvas.....	793
0350 Canvas.....	794
0351.....	795

0352 Canvas.....	796
0400 Series.....	797
0400.....	797
0401.....	798
0404.....	799
0404 Canvas.....	800
0405.....	801
0405 Canvas.....	802
0406.....	803
0410.....	804
0411.....	805
0412.....	806
0413.....	807
0416.....	808
0421.....	809
0422.....	810
0423.....	811
0424.....	812
0425.....	813
0426.....	814
0427.....	815
0428.....	816
0431.....	817
0432.....	818
0435.1.....	819
0436.....	820
0436.1.....	821
0436.2.....	822
0437.....	823
0440.....	824
0441.....	825
0442.....	826
0443.....	827
0444.....	828
0445.....	829
0446.....	830
0447.....	831
0448.....	832
0449.....	833
0450.....	834
0451.....	835
0451.1.....	836
0453.....	837

0454.....	838
0455.....	839
0456.....	840
0457.....	841
0458.....	842
0459.....	843
0460.....	844
0470.....	845
0471.....	846
0472.....	847
0473.....	848
0483.....	849
0500 Series.....	850
0501.....	850
0502.....	851
0503.....	852
0504.....	853
0507.....	854
0510.....	855
0511.....	856
0600 Series.....	857
0602.....	857
0606.....	858
0607.....	859
0608.....	860
0610.....	861
0616.....	862
0620.....	863
0621.....	864
0700 Series.....	865
0700.....	865
0701.....	866
0703.....	867
0711.....	867
0712.....	868
0713.....	869
0714.....	870
0715.....	871
0716.....	872
0717.....	873
0718.....	874
0747.....	875
0748.....	876

0750.....	876
0752.....	877
0759.....	878
0761.....	879
0770.....	880
0771.....	880
0772.....	881
0773.....	882
0774.....	883
0800 Series.....	884
0802.....	884
0809.....	884
0815.....	885
0826.....	886
0830.....	887
0841.....	888
0842.....	889
0852.....	890
0880.....	891
0881.....	892
0882.....	893
0900 Series.....	894
0900 Canvas.....	894
0901.....	895
0902.....	896
0903.....	897
0904.....	898
0905.....	899
0906.....	900
0907.....	901
0908.....	902
0909.....	903
0910.....	904
0911.....	905
0913.....	906
0929 Canvas.....	907
0930 Canvas.....	908
0931 Canvas.....	909
0932 Canvas.....	910
0934 Canvas.....	911
0935 Canvas.....	912
0940.....	913
0941.....	914

0942.....	915
0943.....	916
0944.....	917
0945.....	918
0946.....	919
0948.....	920
0949.....	921
0950.....	922
0951.....	923
0965.....	924
0966.....	925
0967.....	926
0970.....	927
0971.....	928
0972.....	929
0973.....	930
0974.....	931
0975.....	932
0976.....	933
Rigid.....	934
SXGH01 Canvas.....	934
TDG01 Canvas.....	935

1. Location and Copyright

Esko

Raymonde de Larocheaan 13

9051 Gent

Belgium

Tel.: (32)(9) 216-92-11

Fax: (32)(9) 216-94-64

Other offices worldwide.

Written and revised by Adam Hartfield, July 2022.

For use with ArtiosCAD and ArtiosCAD Enterprise version 22.07 or greater.

© Copyright 2022 Esko Software BV, Gent, Belgium.

All rights reserved. This material, information and instructions for use contained herein are the property of Esko Software BV. The material, information and instructions are provided on an AS IS basis without warranty of any kind. There are no warranties granted or extended by this document. Furthermore Esko Software BV does not warrant, guarantee or make any representations regarding the use, or the results of the use of the software or the information contained herein. Esko Software BV shall not be liable for any direct, indirect, consequential or incidental damages arising out of the use or inability to use the software or the information contained herein.

The information contained herein is subject to change without notice. Revisions may be issued from time to time to advise of such changes and/or additions.

No part of this document may be reproduced, stored in a data base or retrieval system, or published, in any form or in any way, electronically, mechanically, by print, photoprint, microfilm or any other means without prior written permission from Esko Software BV.

This document supersedes all previous dated versions.

This software is based in part on the work of the Independent JPEG Group.

Adobe, Acrobat, Illustrator, and PostScript are either registered trademarks or trademarks of Adobe Systems Incorporated in the United States and/or other countries.

Apple and QuickTime are registered trademarks of Apple, Inc.

Microsoft and the Microsoft logo are registered trademarks of Microsoft Corporation in the United States and other countries.

The Esko software may contain an implementation of the LZW algorithm licensed under U. S. Patent 4,558,302 and foreign counterparts.

The Esko software may contain the "RSA Data Security, Inc. MD5 Message-Digest Algorithm."

Oracle and Java are registered trademarks of Oracle and/or its affiliates. Other names may be trademarks of their respective owners.

Strip Clip, Strip Fork and Strip Clip[®] System are products, registered trademarks and patents of Vossen Profitec GmbH Germany.

OpenGL is a registered trademark of Silicon Graphics, Inc.

Contains PowerNest library Copyrighted and Licensed by Alma, 2005 – 2007.

The geometry macros contained with this release of ArtiosCAD to facilitate the use of Vossen Profitec components are approved by Vossen Profitec GmbH and are used with their permission. The Vossen Prax[®] documentation should be consulted and used to ensure correct use and placement of these geometry macros. The shapes and offsets used are in accordance with Vossen Profitec GmbH specifications. Usage and placement of these geometry macros to ensure effective stripping performance, however, remains the responsibility of the user. Vossen Profitec GmbH may be contacted for details of worldwide representation at (49)(7771)920-136 or by e-mail at info@vossen-profitec.de.

This software may use libxml2 - Copyright © 1998-2003 Daniel Veillard - All rights reserved.

All other product names are trademarks or registered trademarks of their respective owners.

Correspondence regarding this publication should be forwarded to:

Esko

Raymonde de Larochelaan 13

9051 Gent

Belgium

info.eur@esko.com

2. Welcome

Introduction

ArtiosCAD has pre-made design file templates called standards. These standards are grouped in style catalogs. This book is a reference of each standard contained in the ArtiosCAD Corrugated style catalog, the FEFCO style catalog, the Display Standards style catalog, the ArtiosCAD Folding Carton style catalog, and the Resizable Design Templates style catalog. Style catalogs from other Esko products may be installed on your machine; please refer to the reference manuals for those products for pictures of those standards.

Each design shown in this book was created using its default style choices. For those standards without folded documentation plots, single designs were created and then converted to 3D.

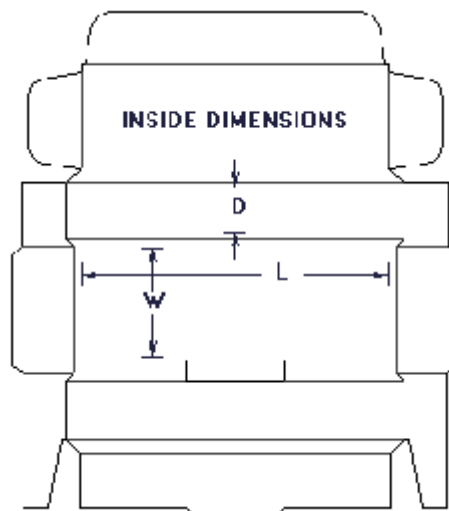
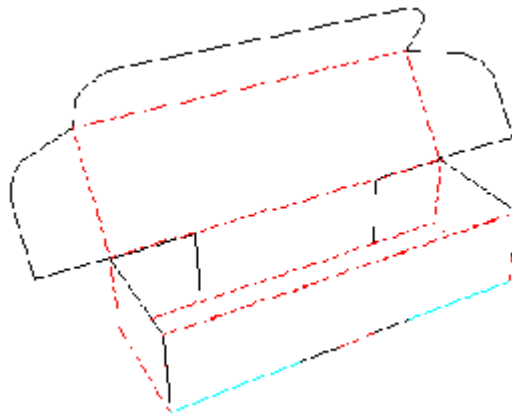
You can add your own designs to the Style Catalogs in the Defaults module of ArtiosCAD. For more information, see the Defaults chapter of the ArtiosCAD Complete Documentation.

To learn more about using standards, see the Builder chapter of the ArtiosCAD Complete Documentation.

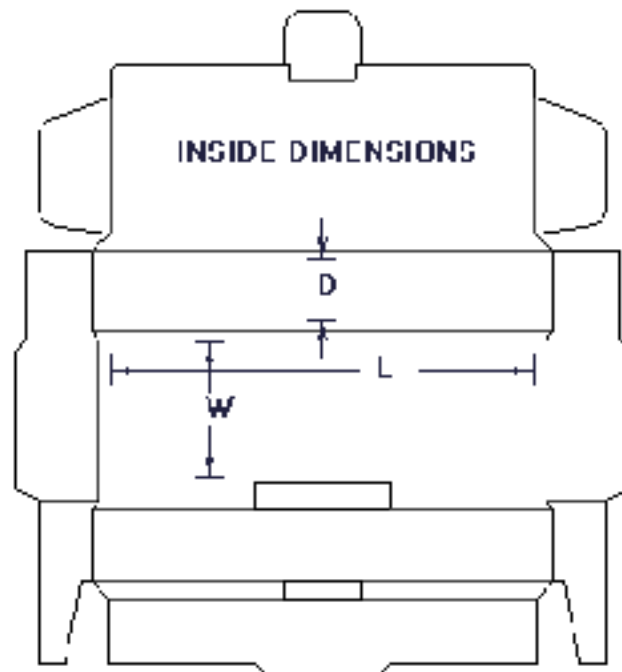
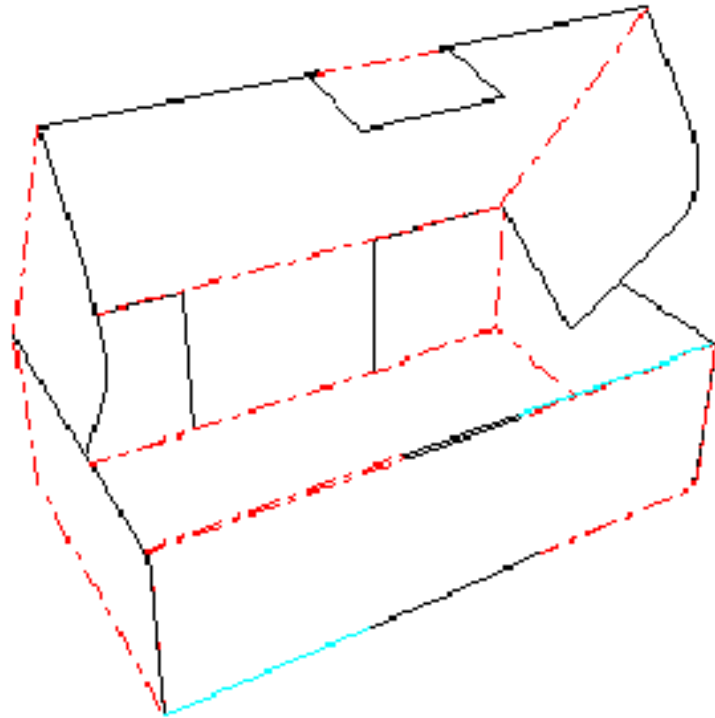
3. Corrugated Standards

One piece containers/1 side rollovers

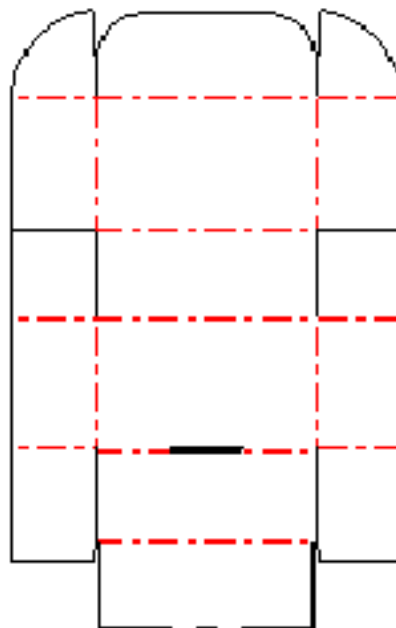
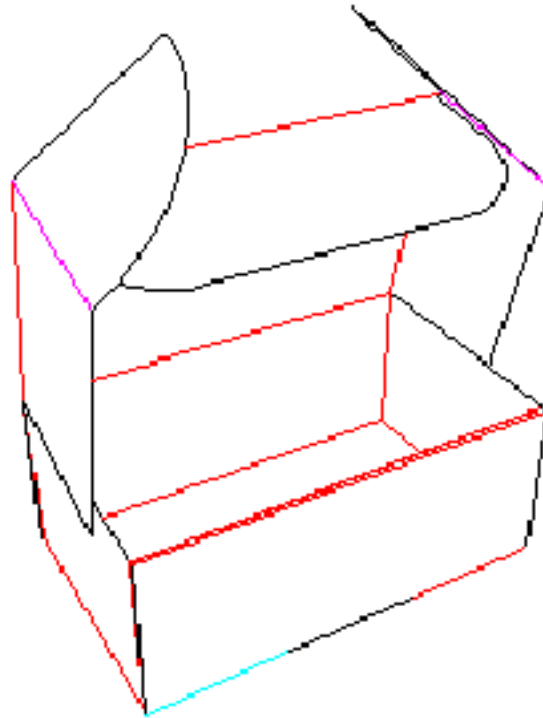
31010W - 1 side rollover - Cover flaps



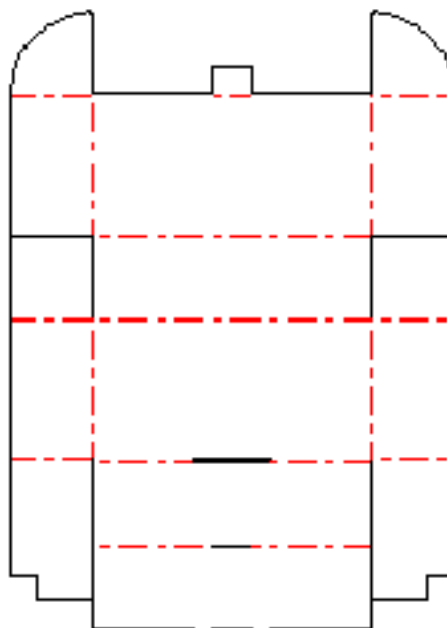
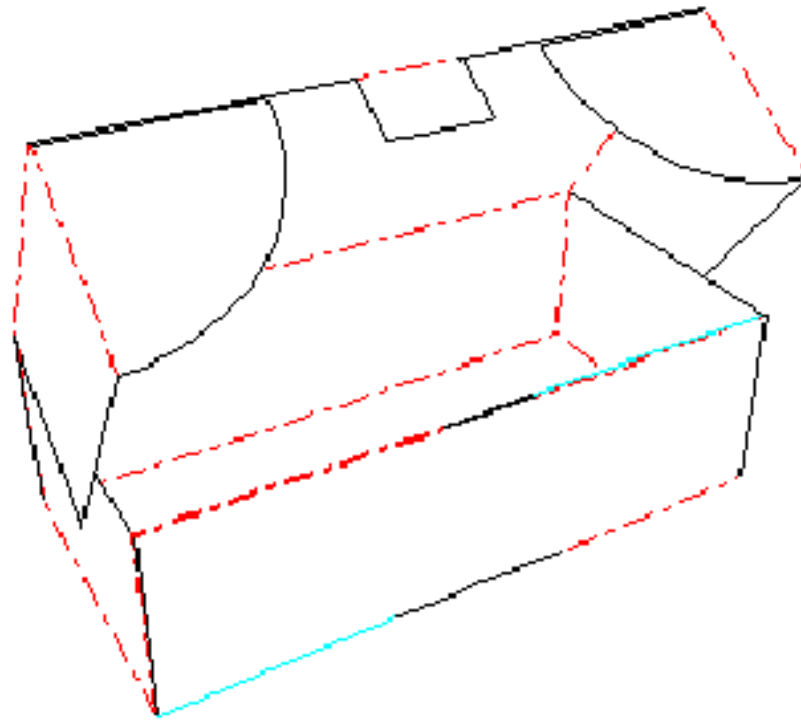
31015W - 1 side rollover - Cover flaps & lock



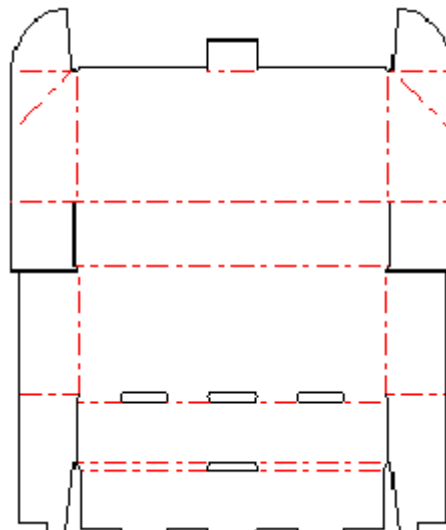
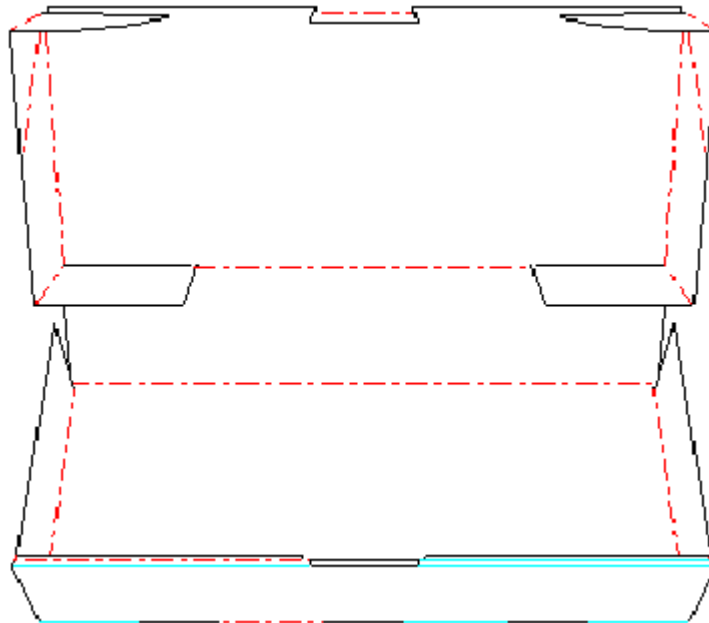
31020W - 1 side rollover - Ears



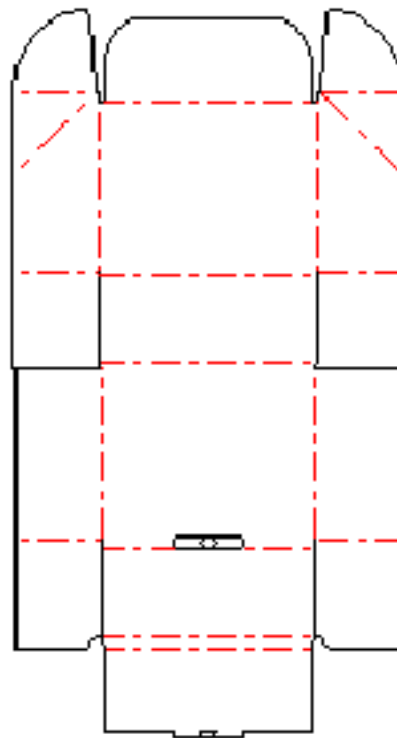
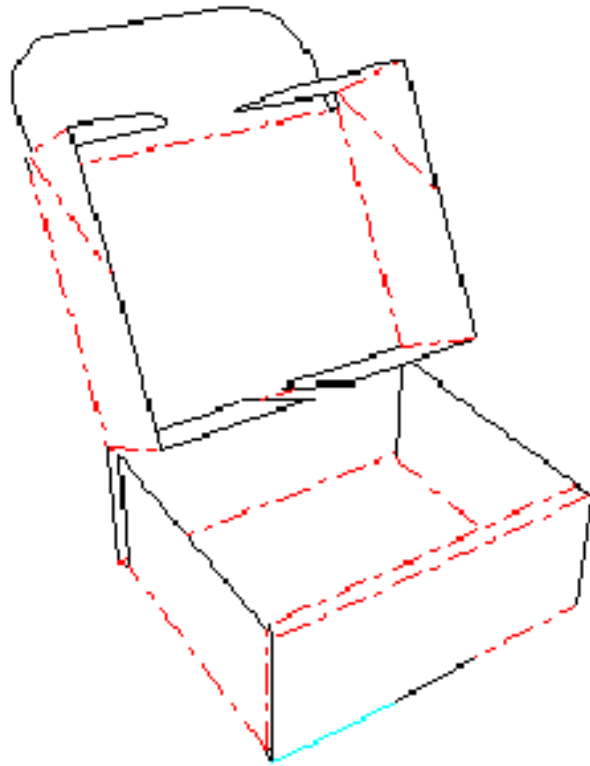
31025W - 1 side rollover - Ears & lock



31026W - 1 side rollover - Ears & lock/dust flaps off cover

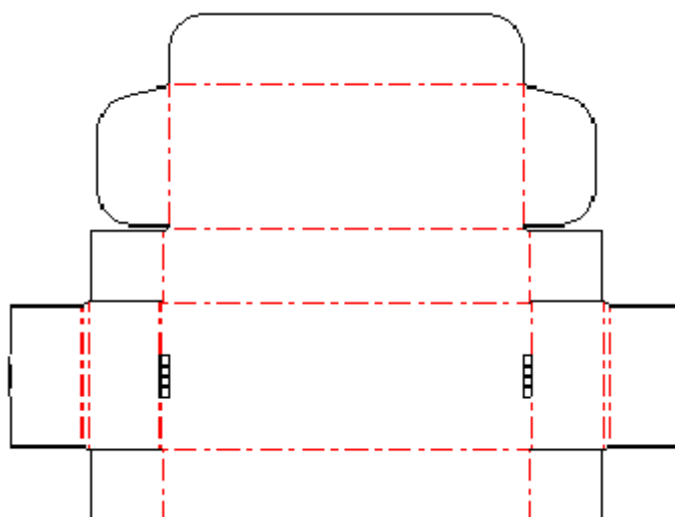
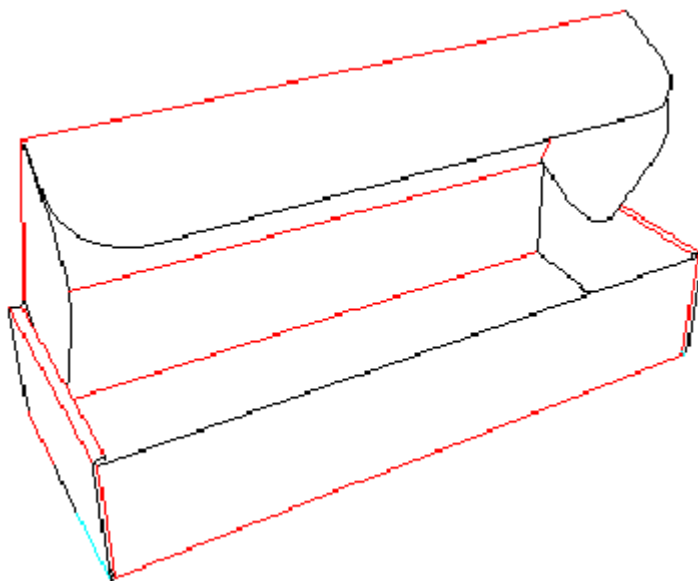


31021W - 1 side rollover - Ears / dust flaps off cover

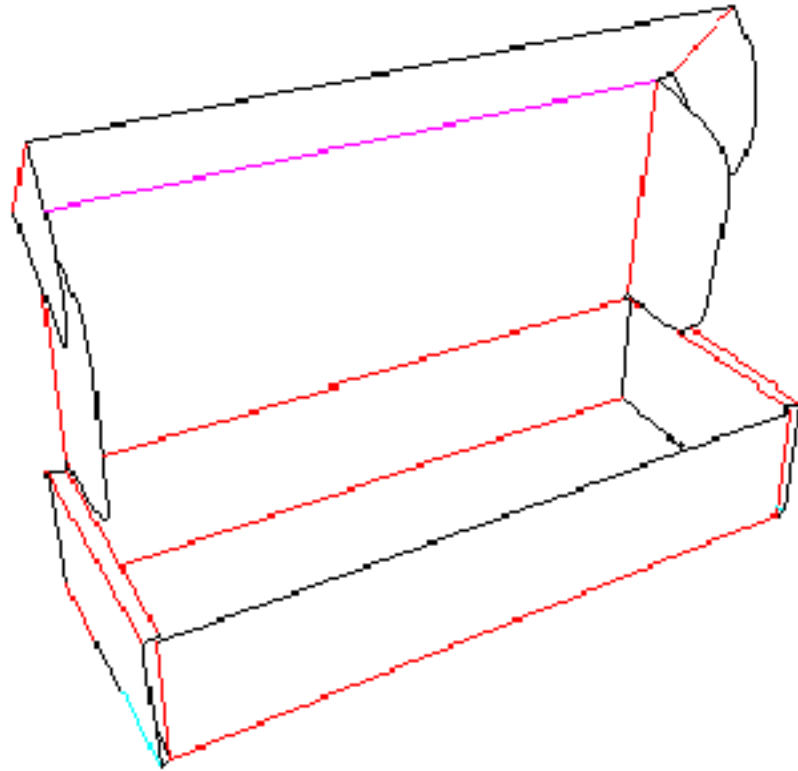


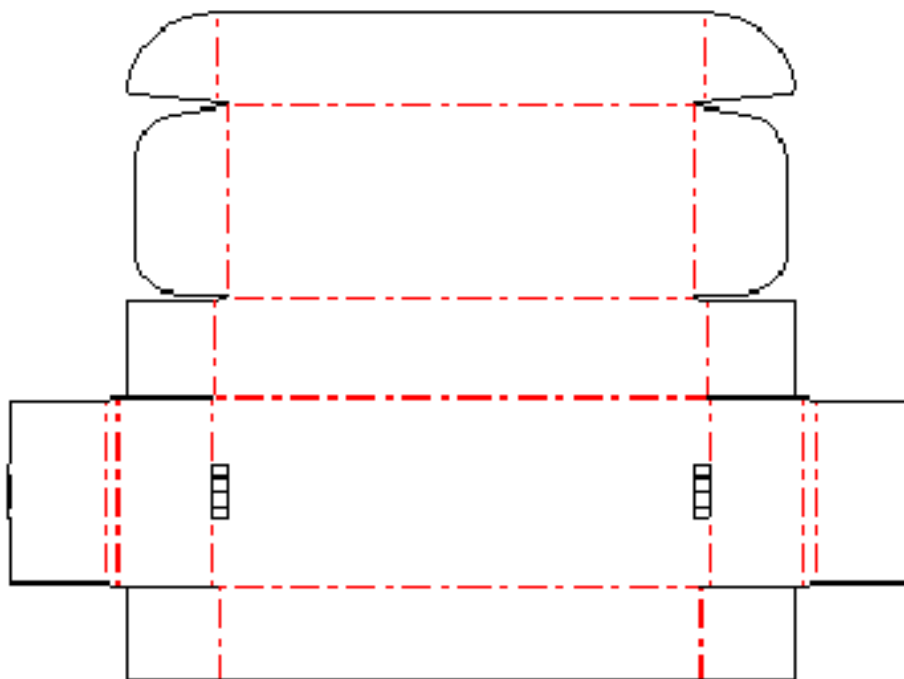
One piece containers/2 side rollovers

32015W - 2 side rollover - Cover flaps

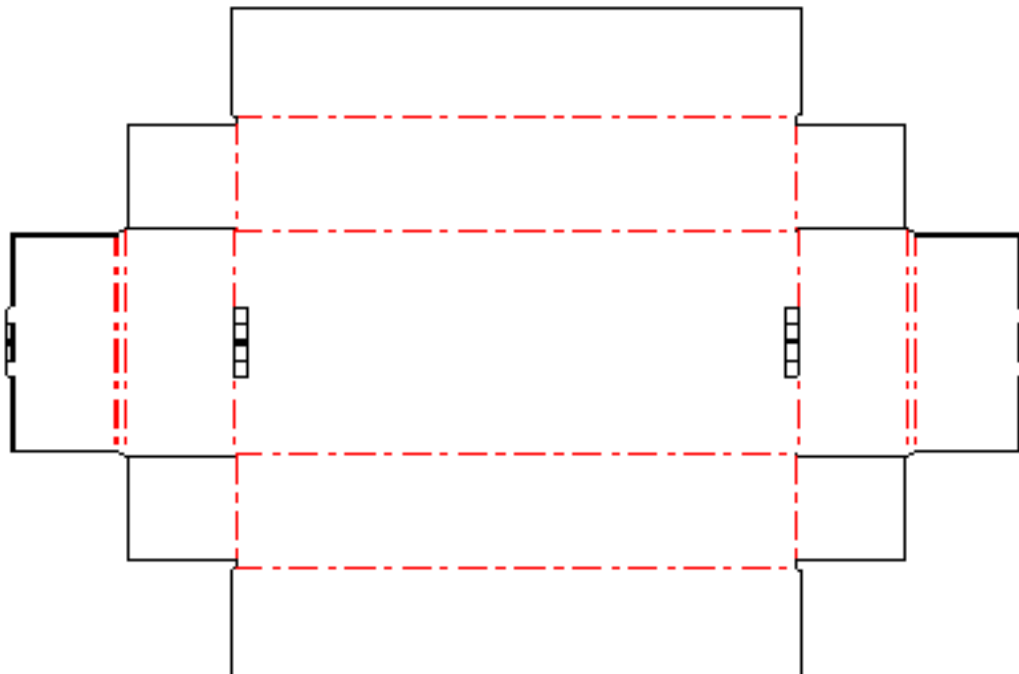
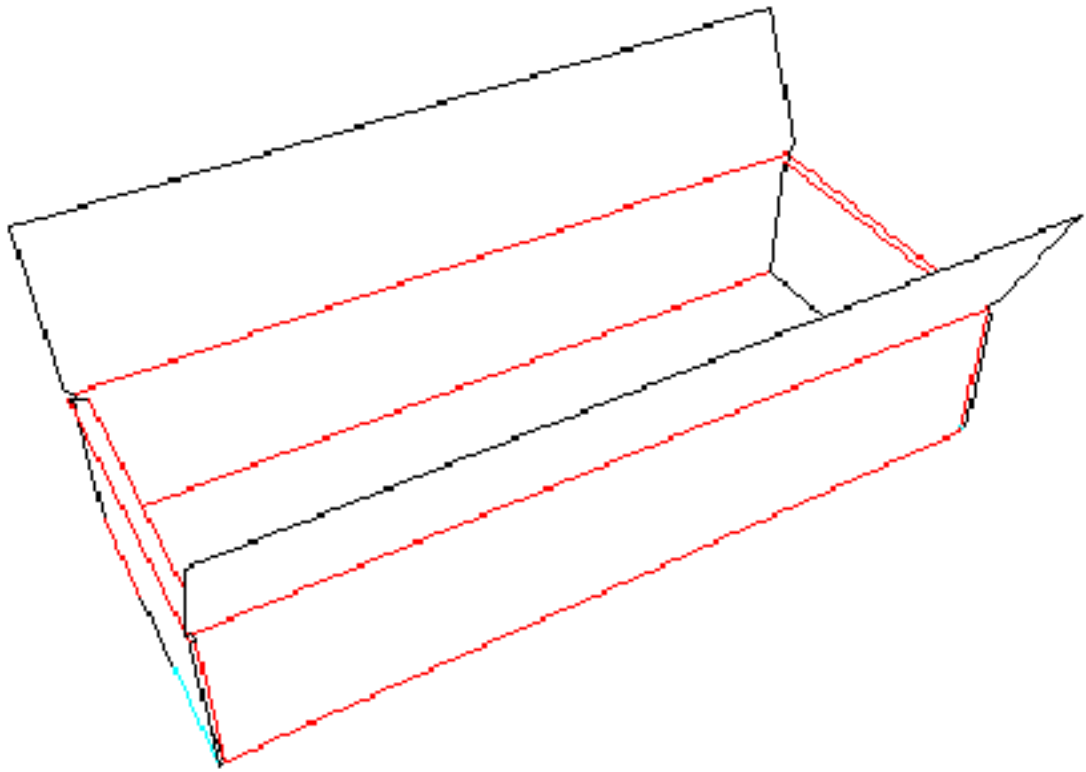


32025W - 2 side rollover - Cover flaps & ears

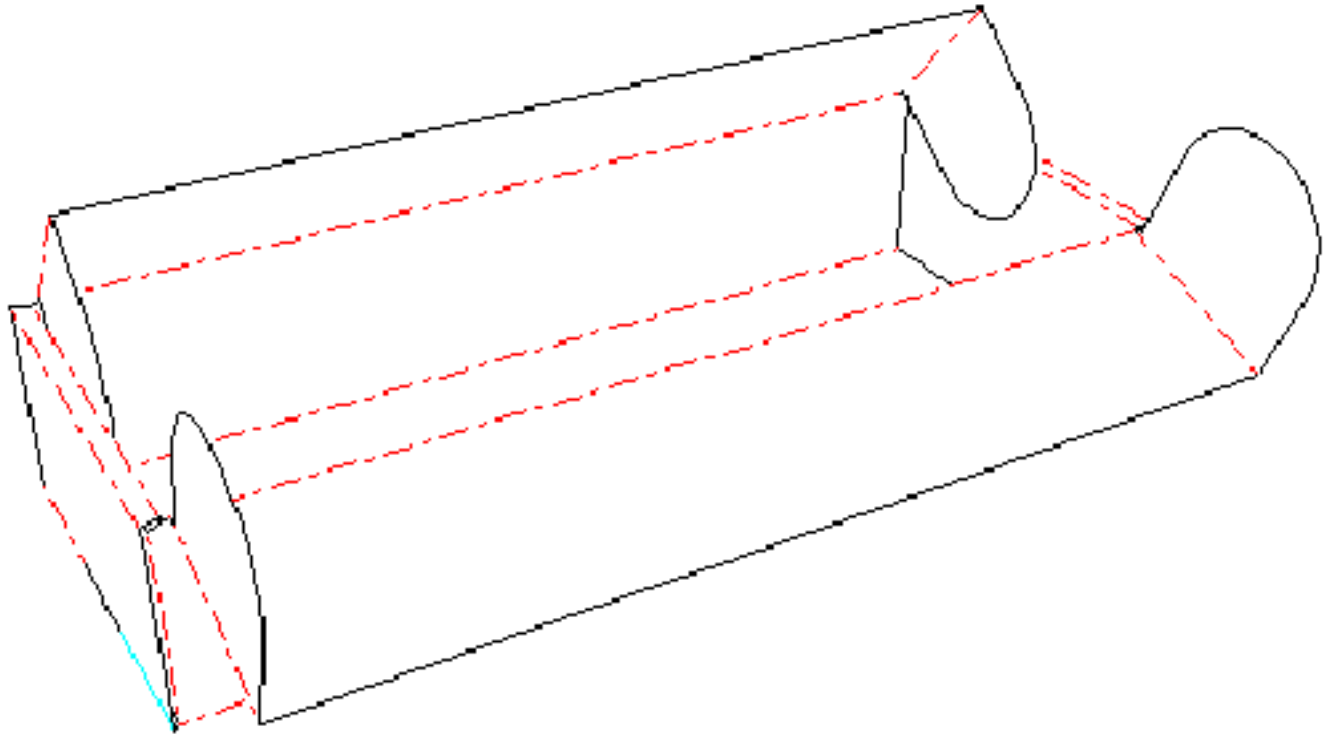


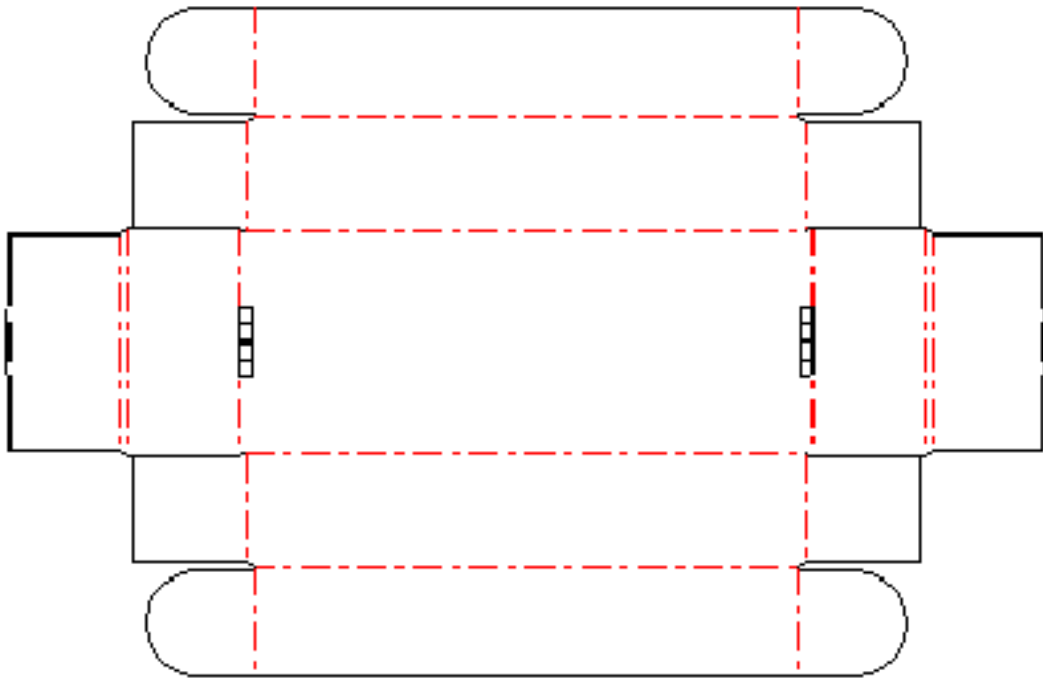


32030W - 2 side rollover - Cover panels meet

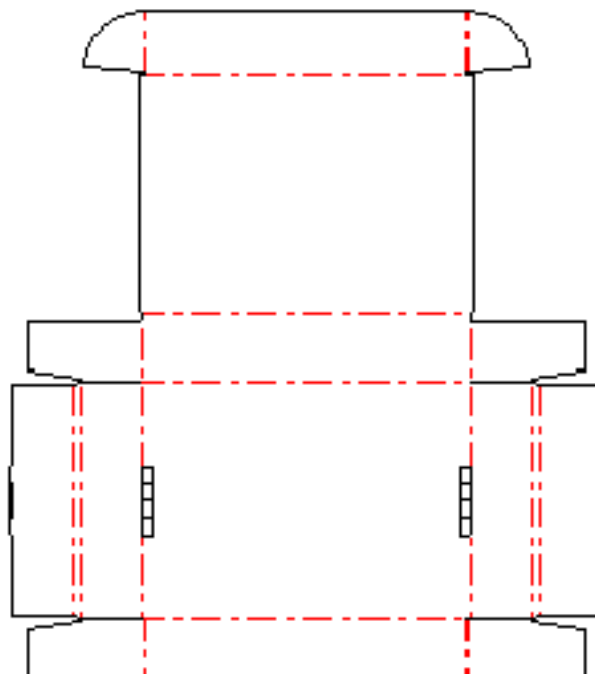
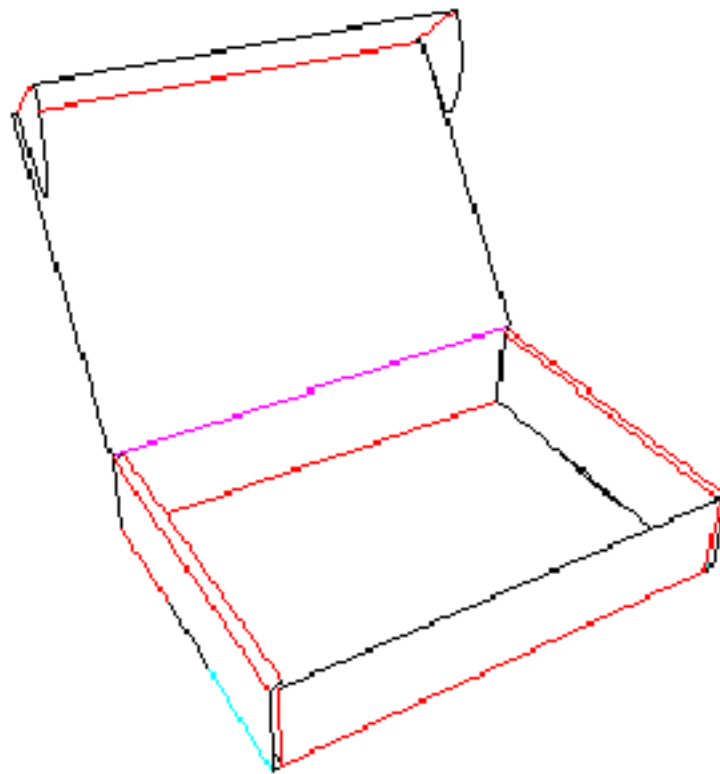


32035W - 2 side rollover - Cover panels meet/with flaps

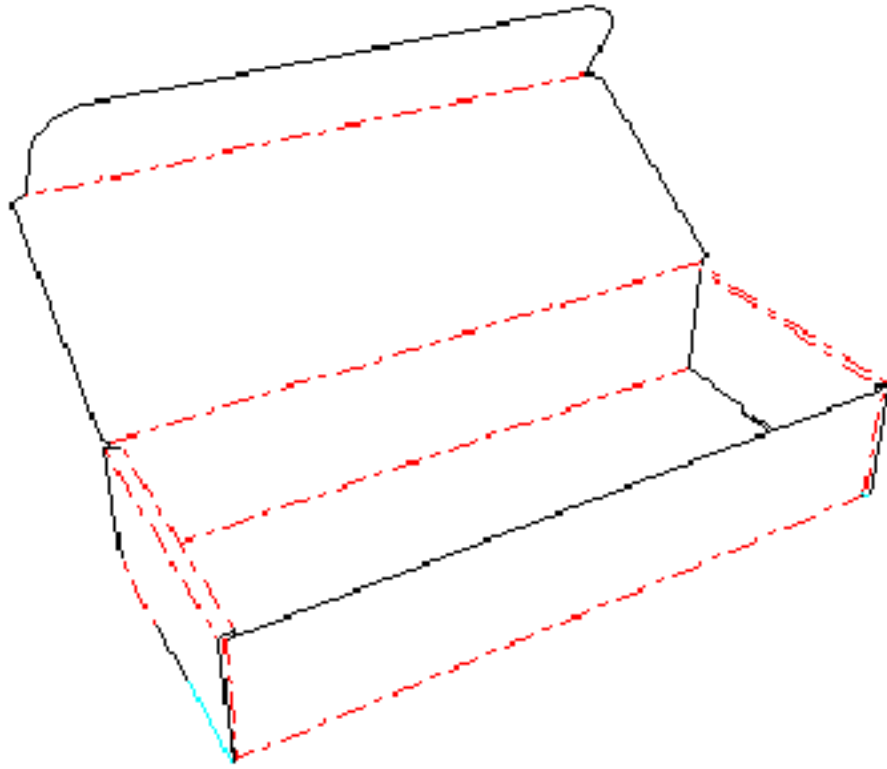


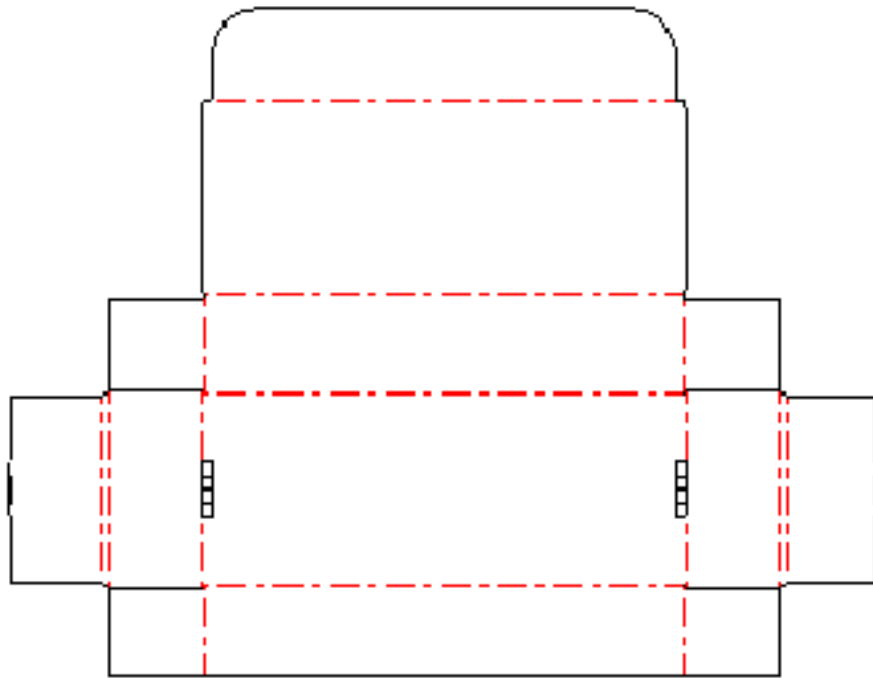


32020W - 2 side rollover - Ears



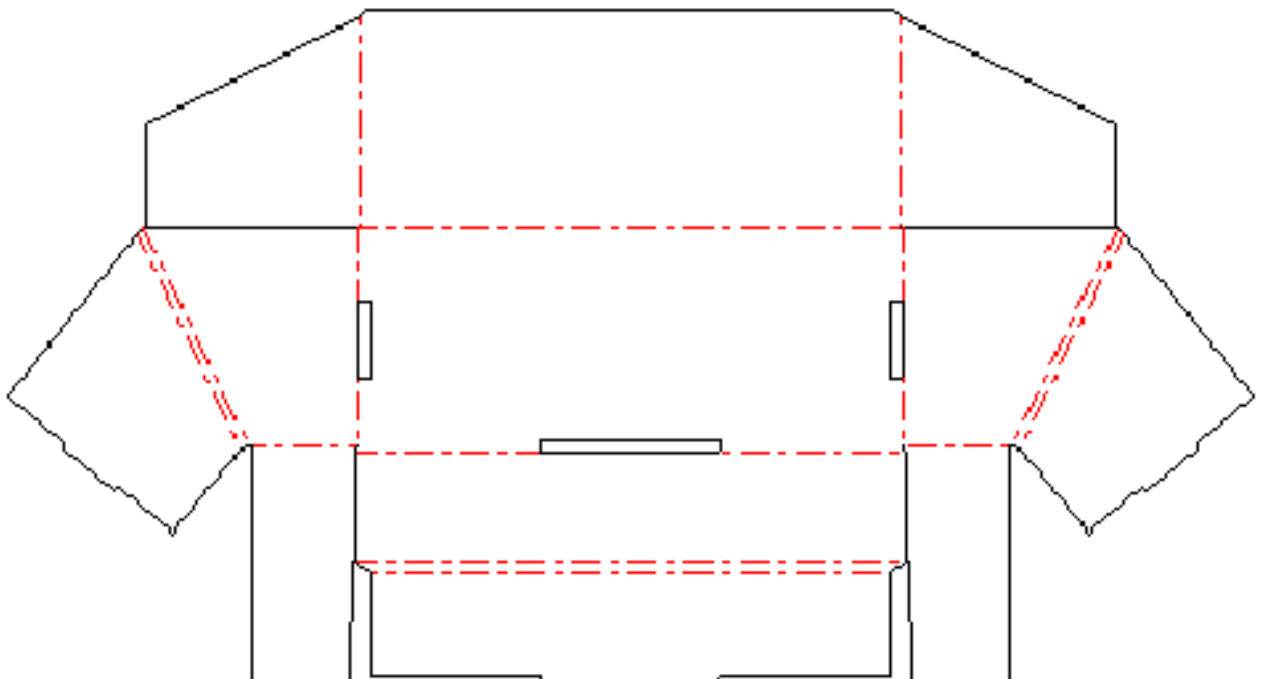
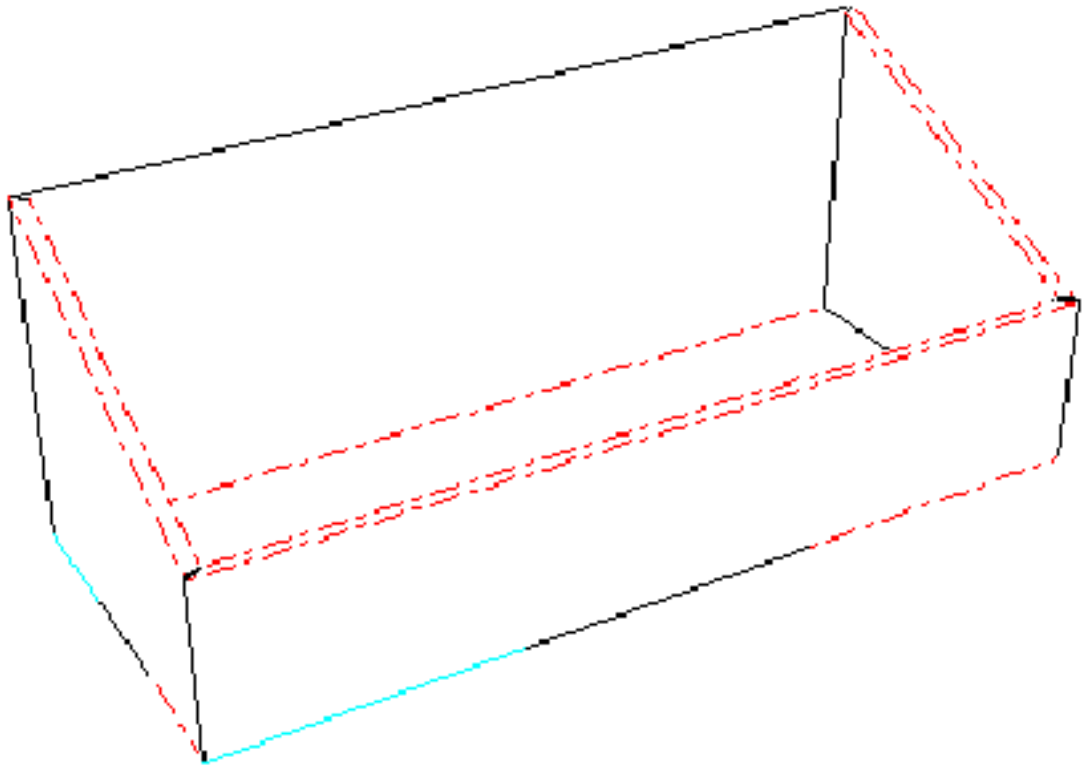
32010W - 2 side rollover - Tuck



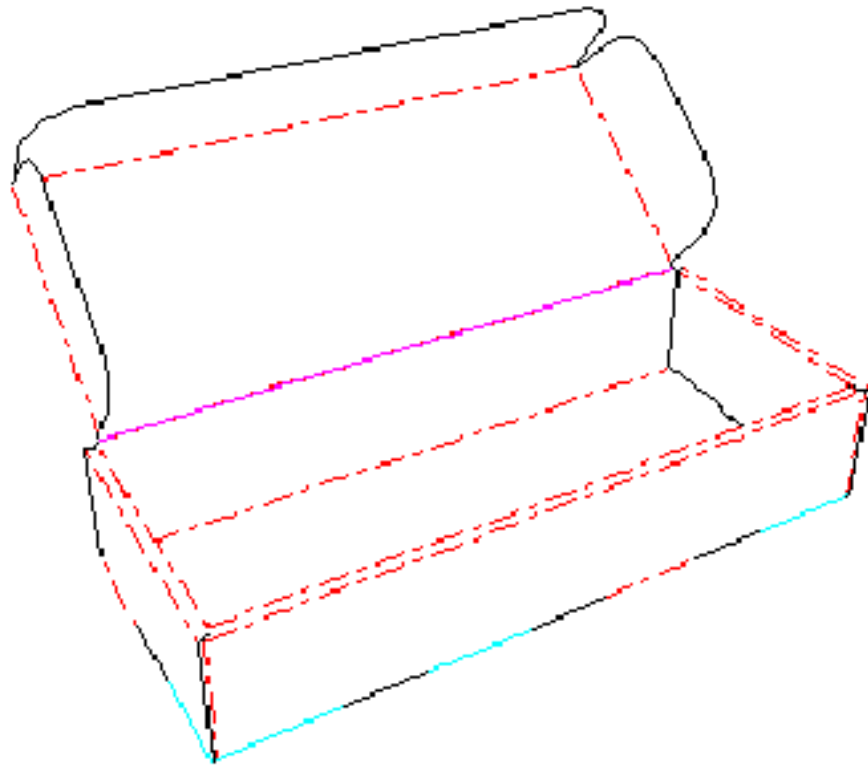


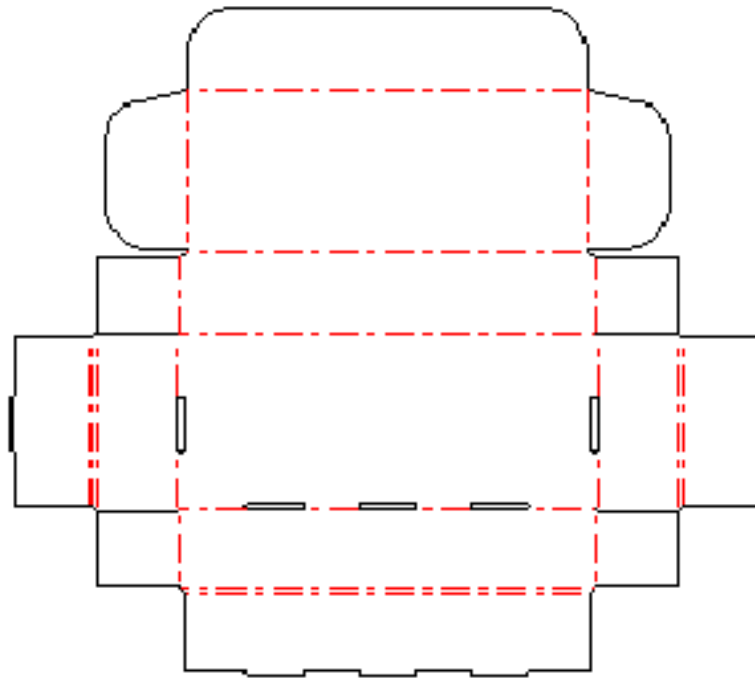
One piece containers/3 side rollovers

71035W - 3 side rolover - Angled side/header slots

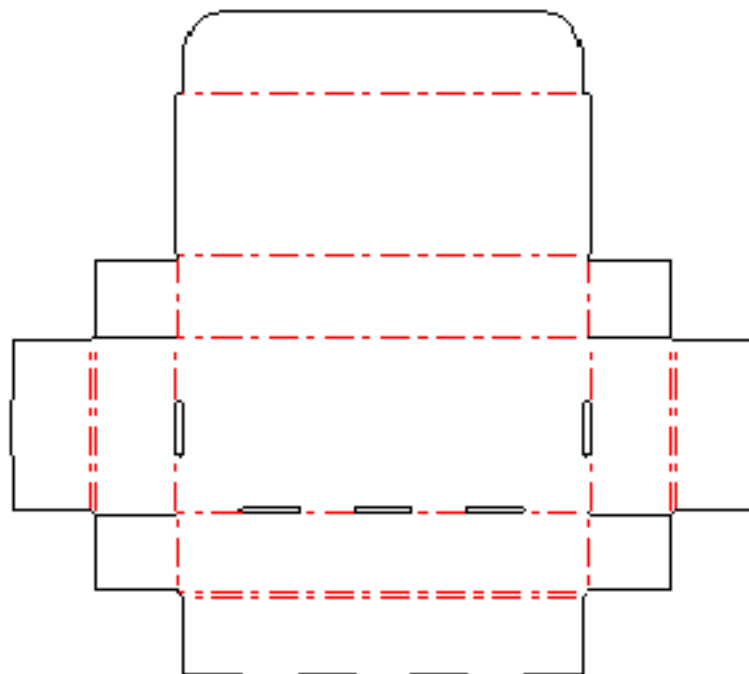
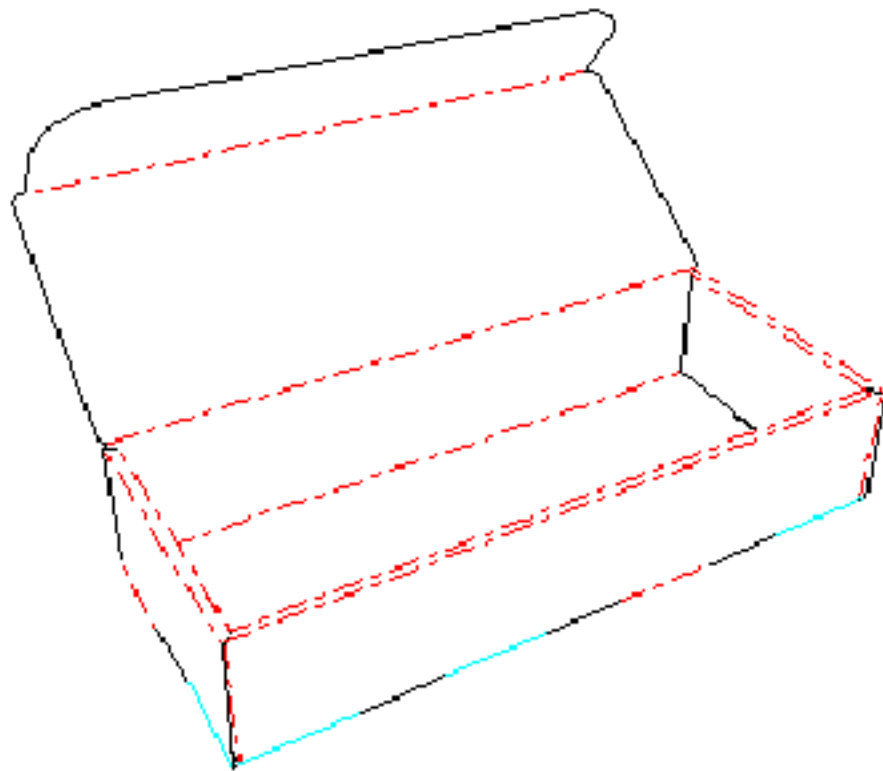


33015W - 3 side rollover - Cover flaps



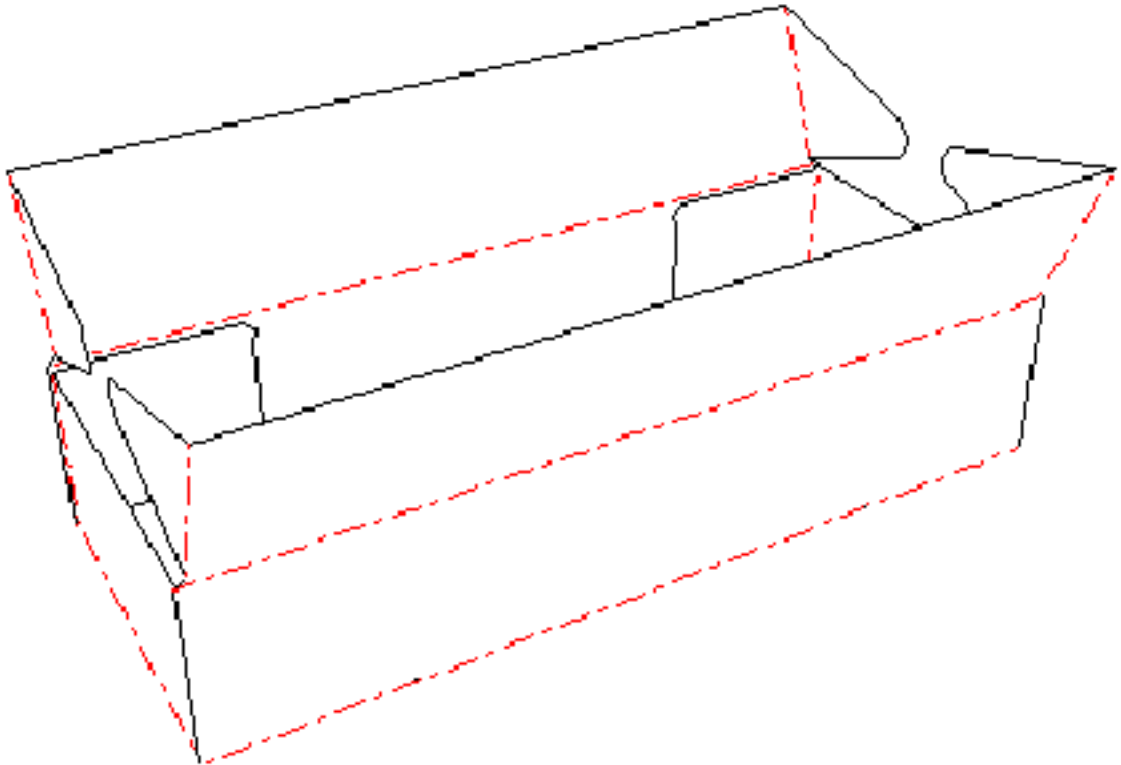


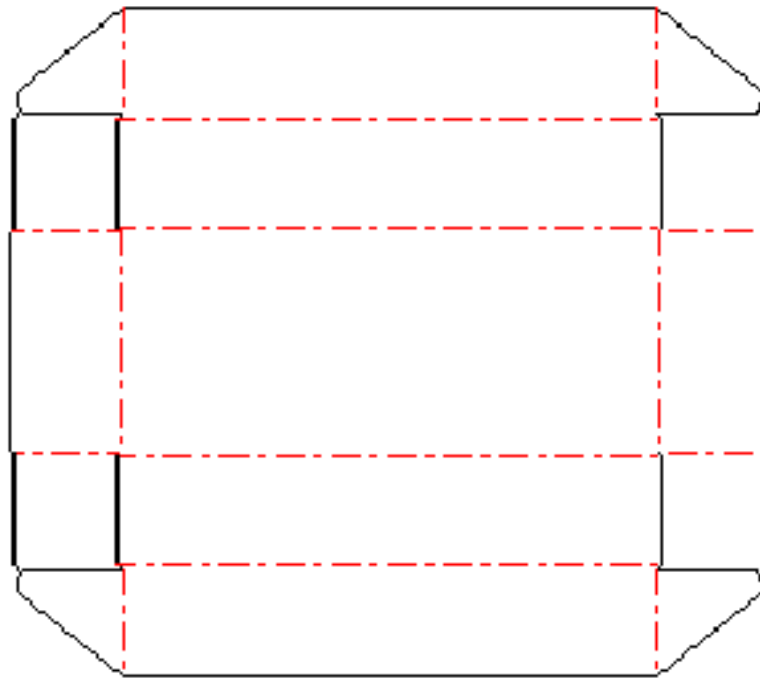
33010W - 3 side rollover - Tuck



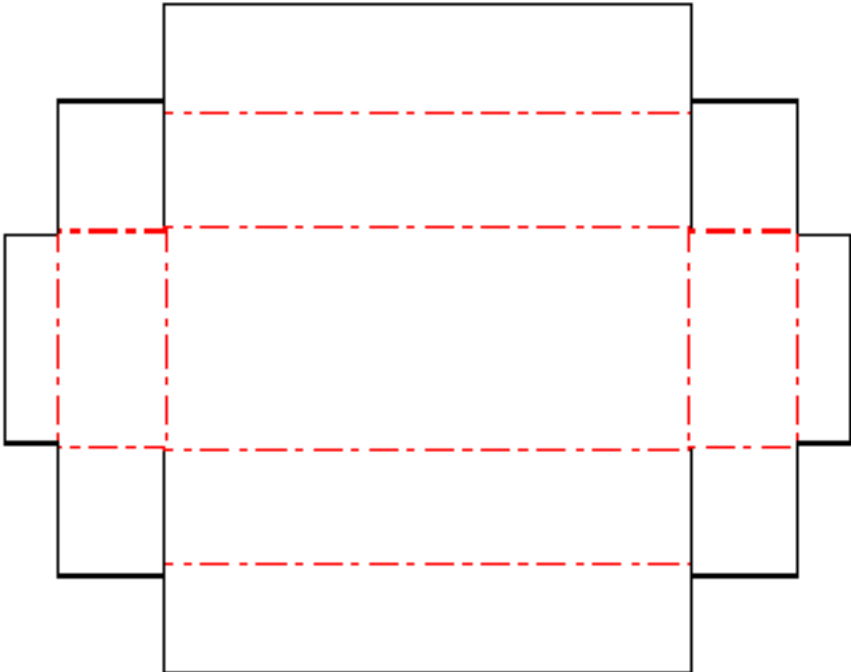
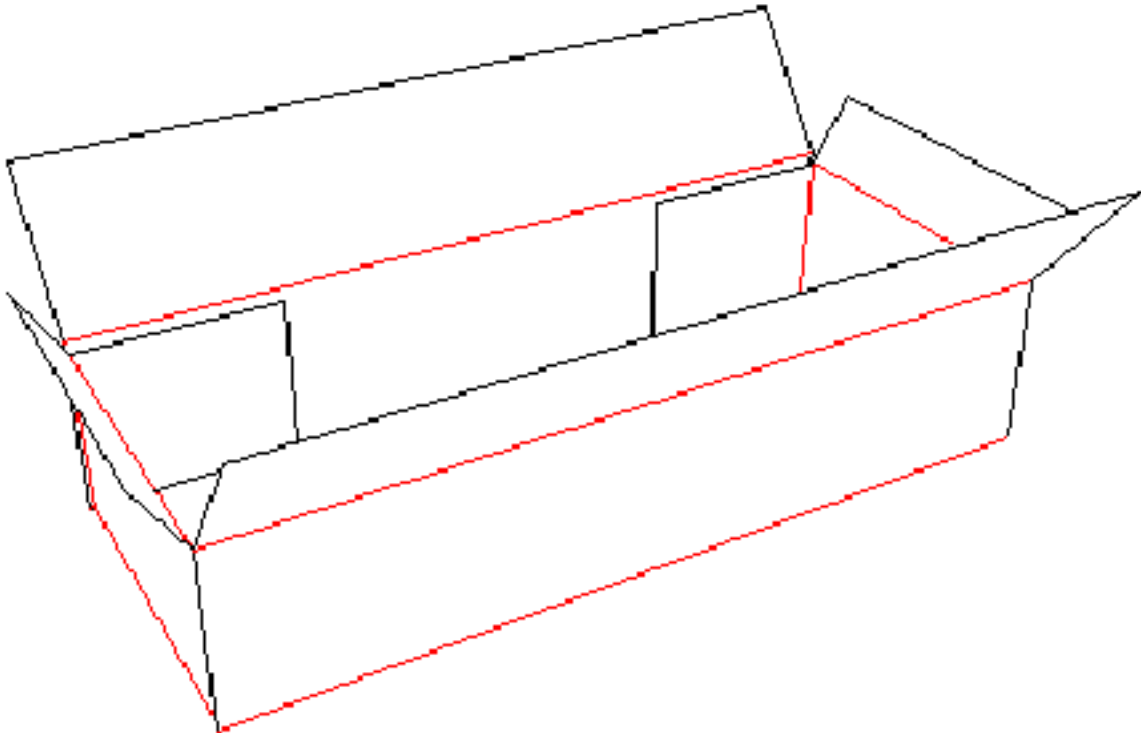
One piece containers/Center joint

36025W - Center joint - With dust & cover flaps

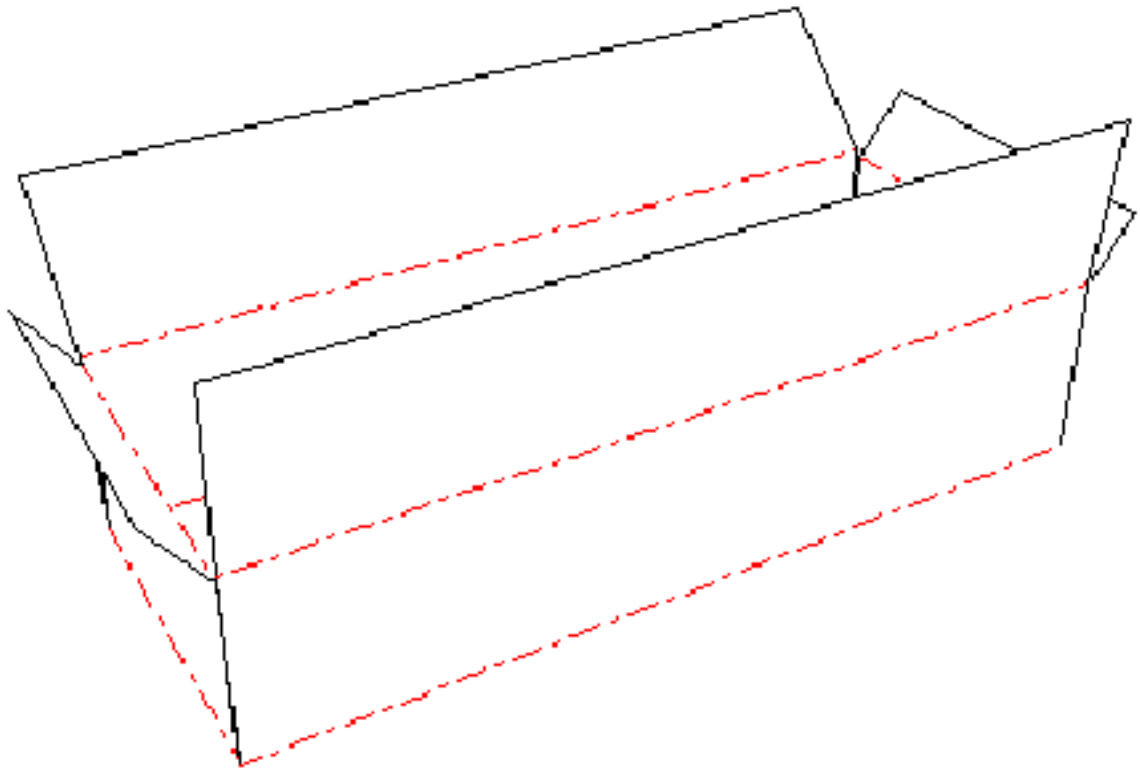


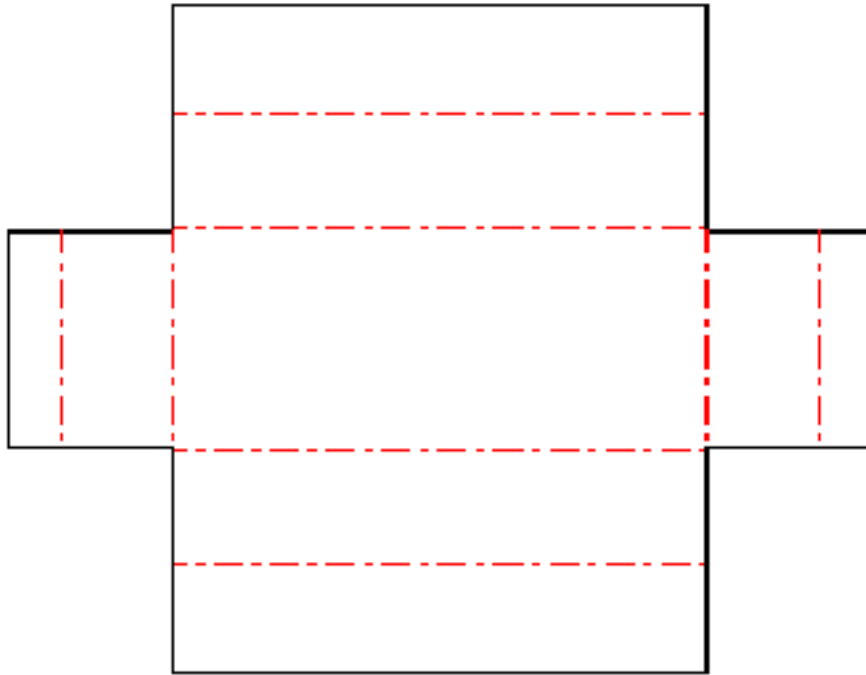


36020W - Center joint - With dust flaps



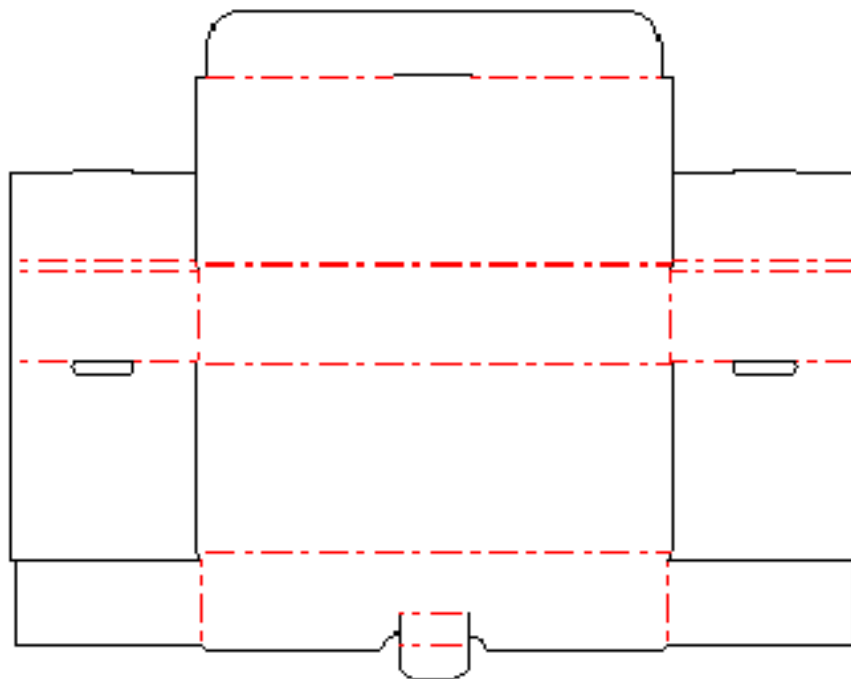
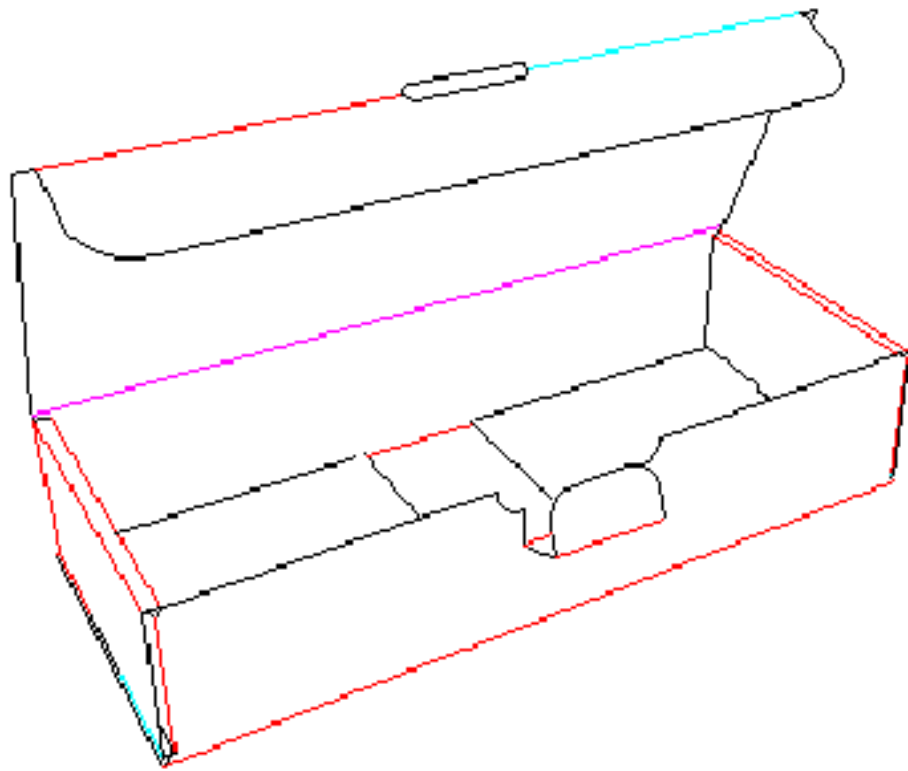
36010W - Center joint - Without dust flaps



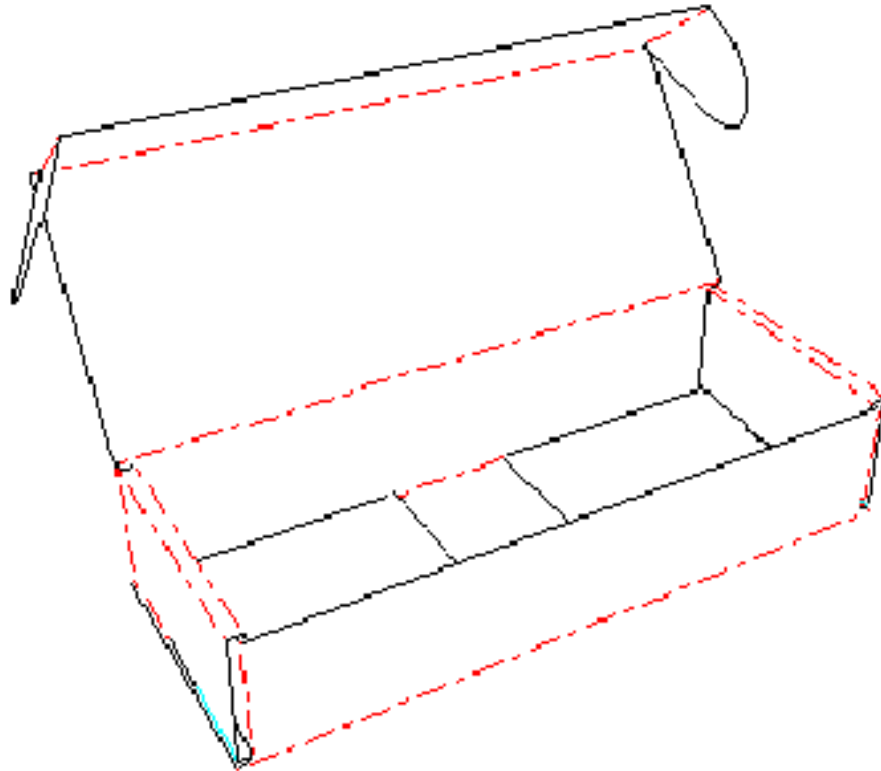


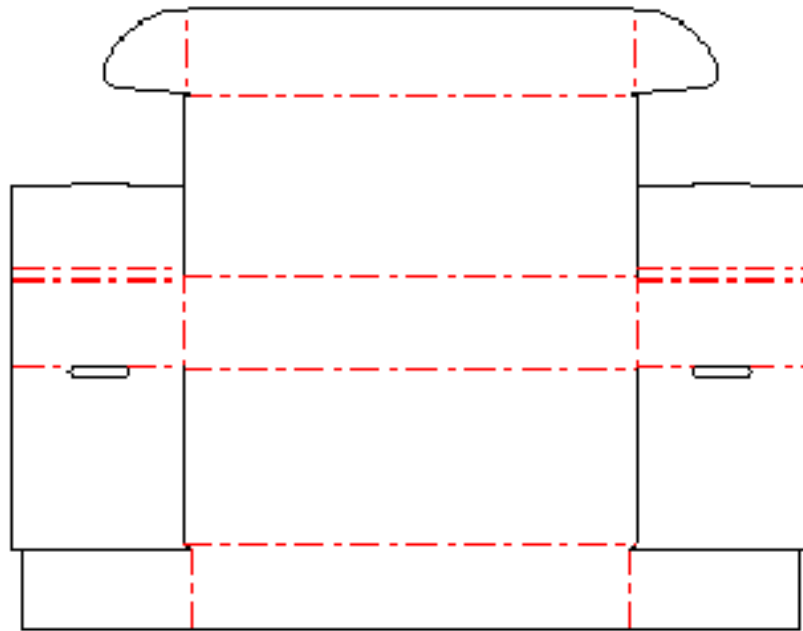
One piece containers/Swing-in rollover

34011W - Swing-in rollover

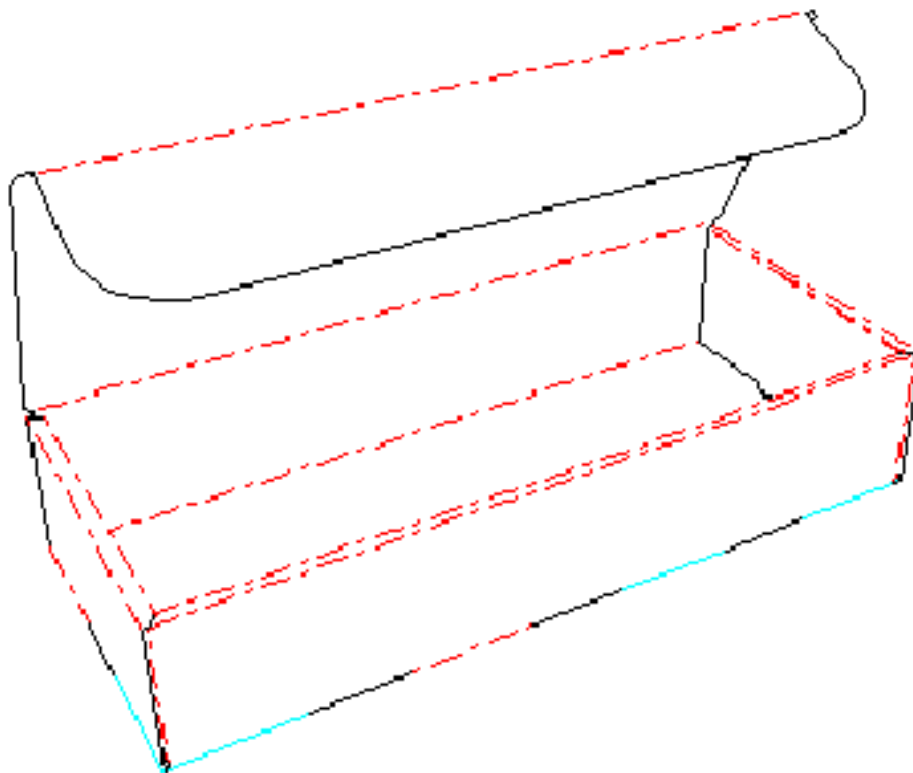


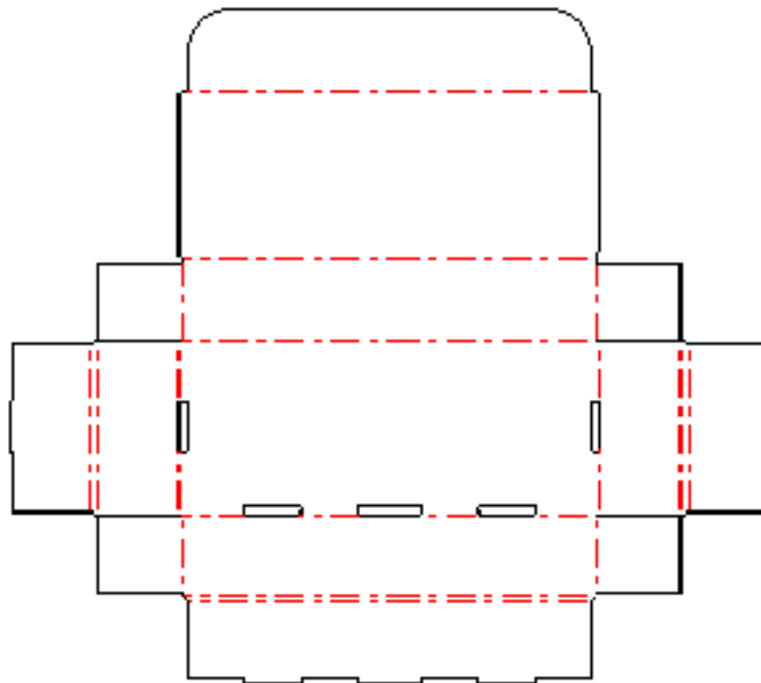
34020W - Swing-in rolover





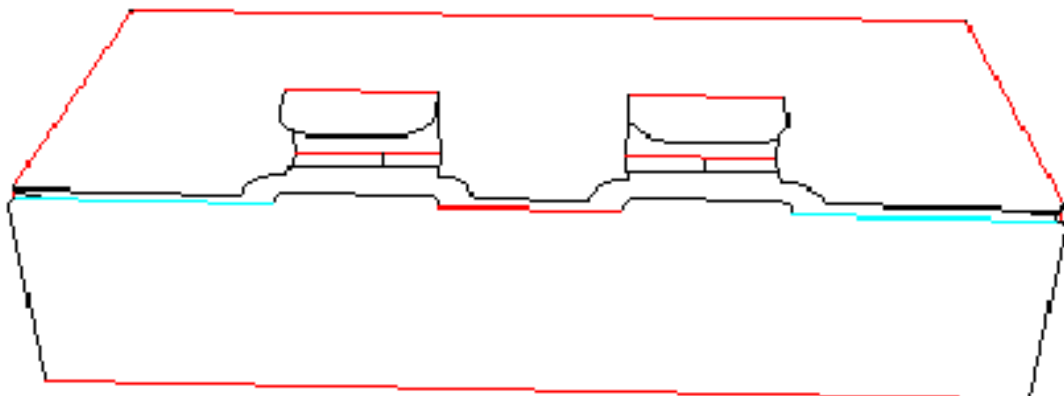
34010W - Swing-in rolover - Tuck

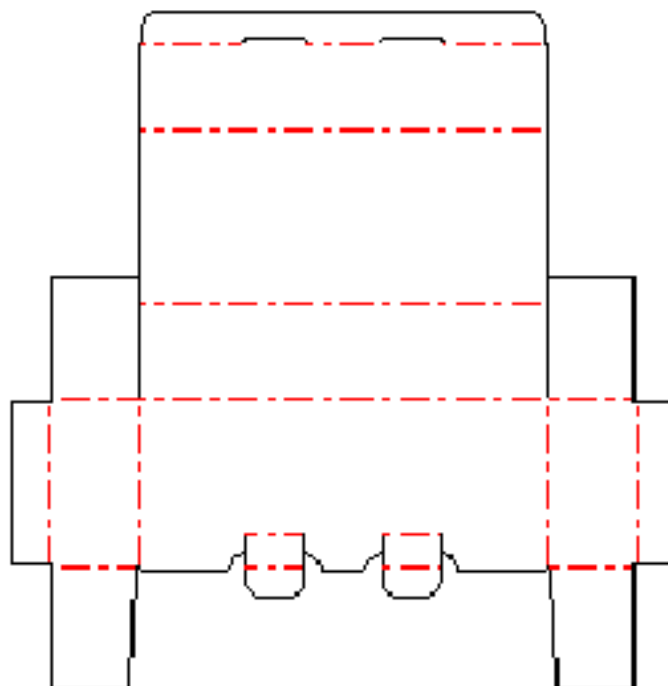




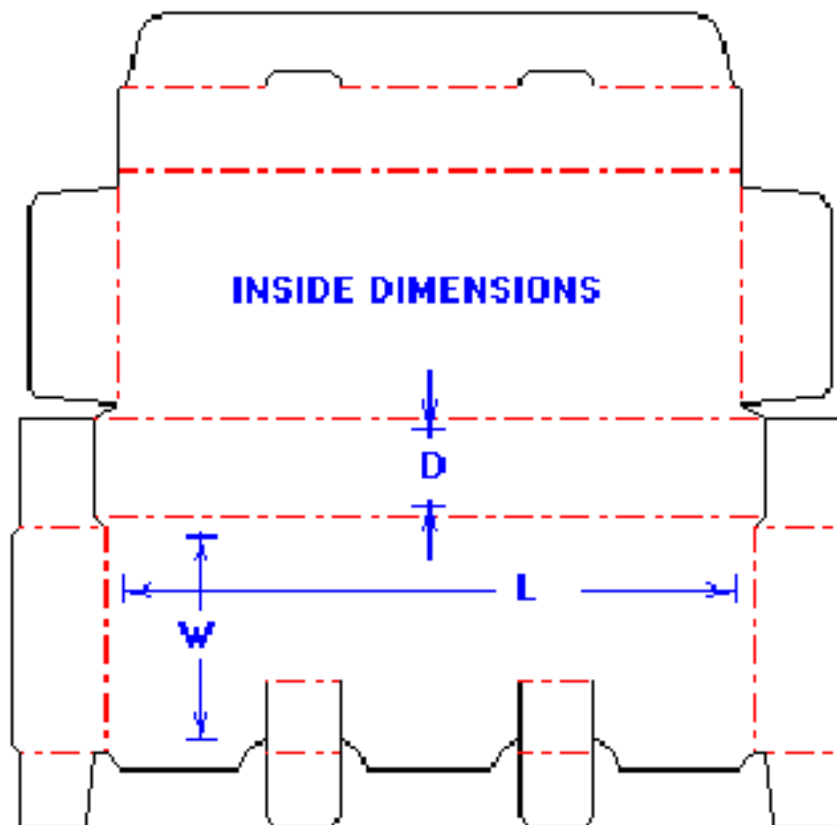
One piece containers/Wrap around

36030W - Wrap-around - Tuck with optional lock



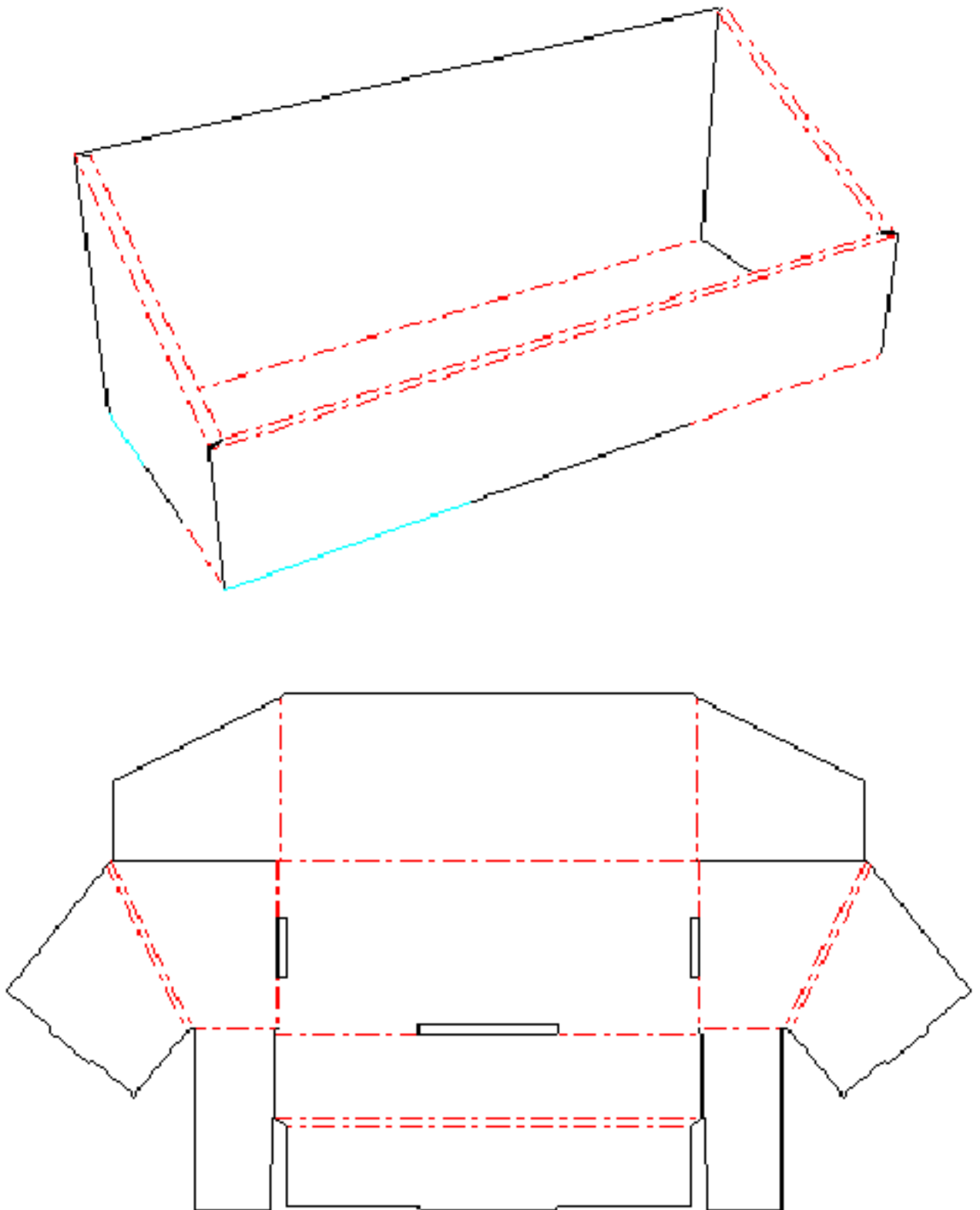


36035W - Wrap-around - Tuck/cover flaps/optional lock

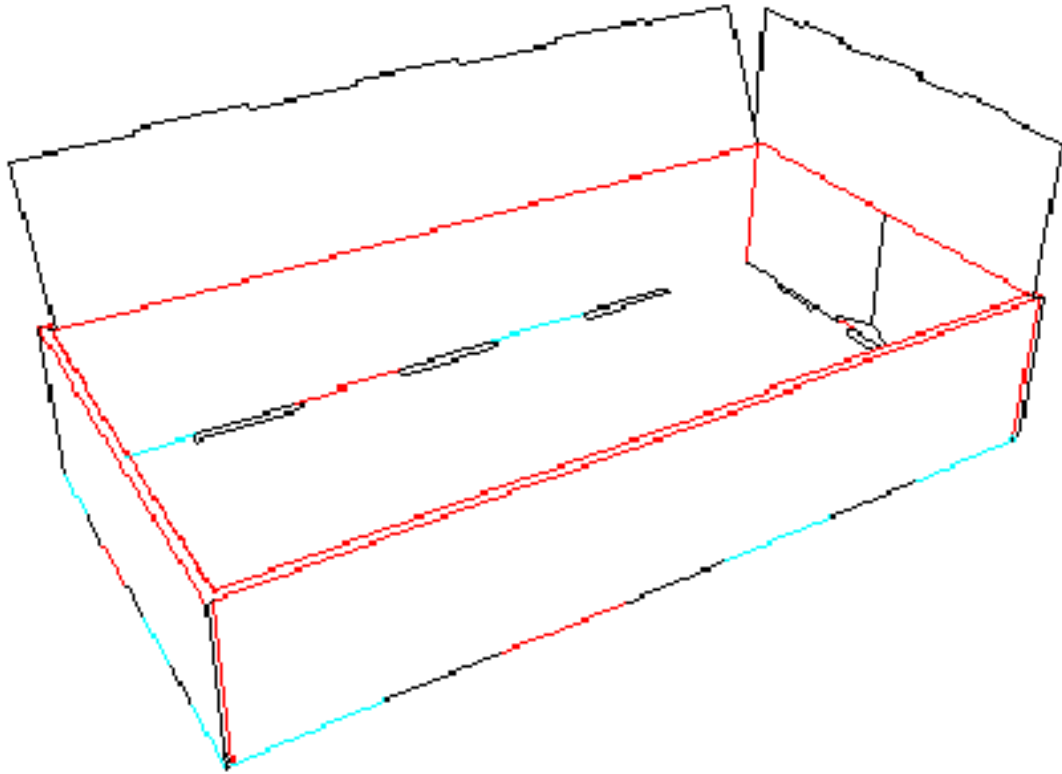


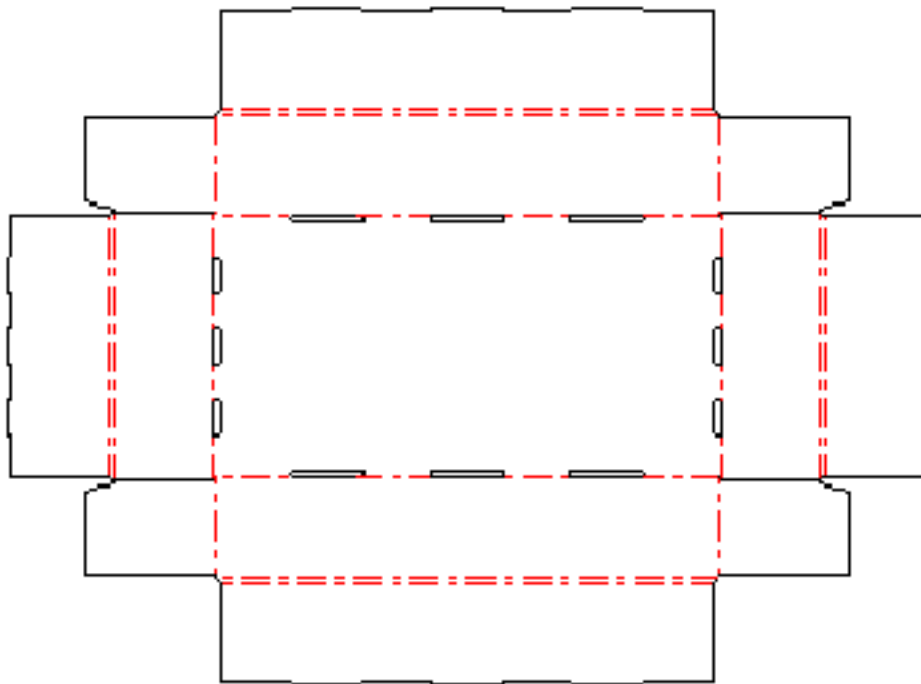
Trays

71035W - Trays - Angled side/with header slots

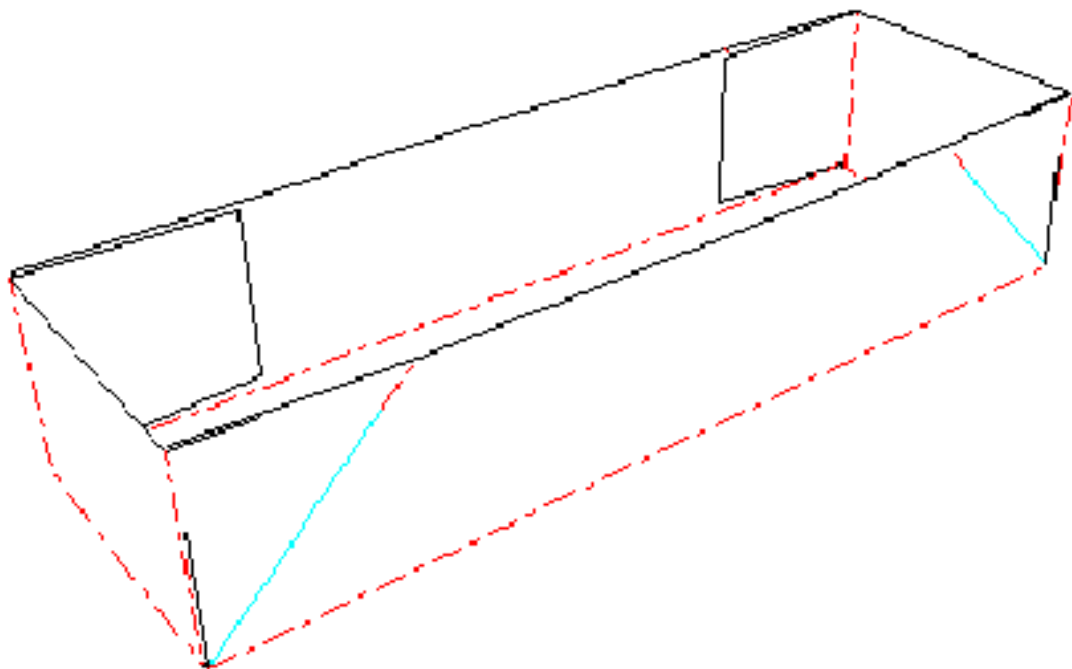


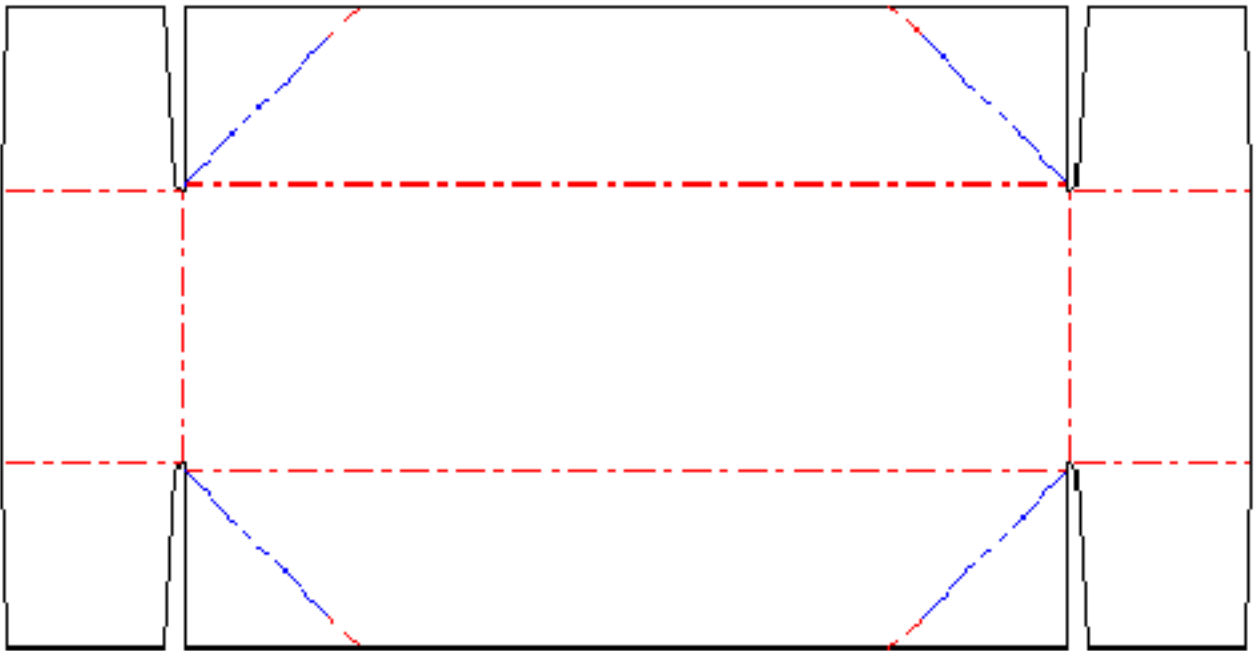
42020W - Trays - Four side rollover



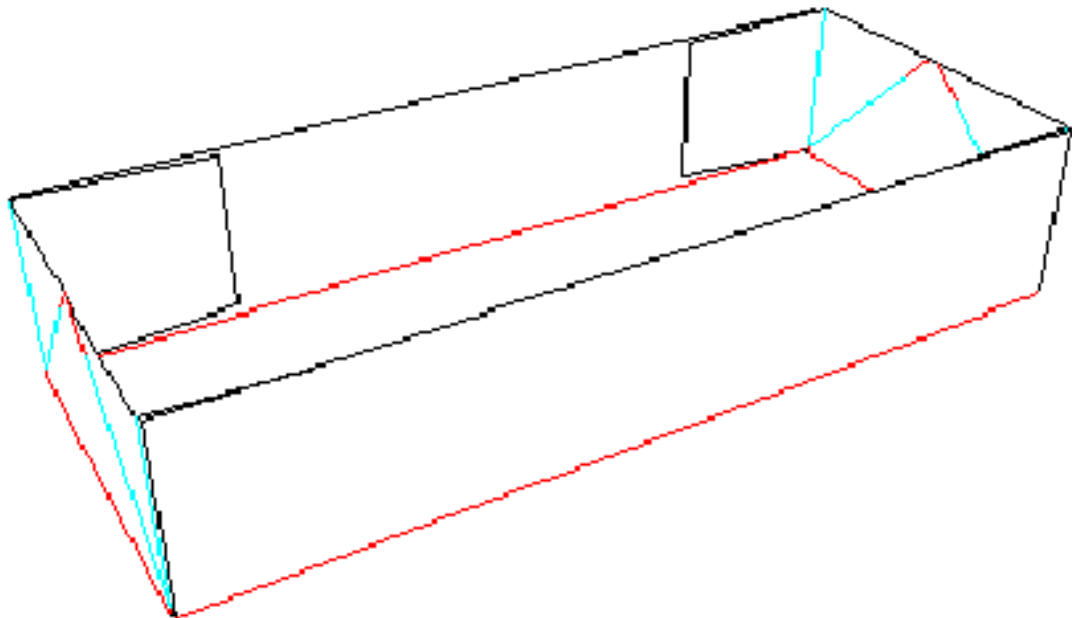


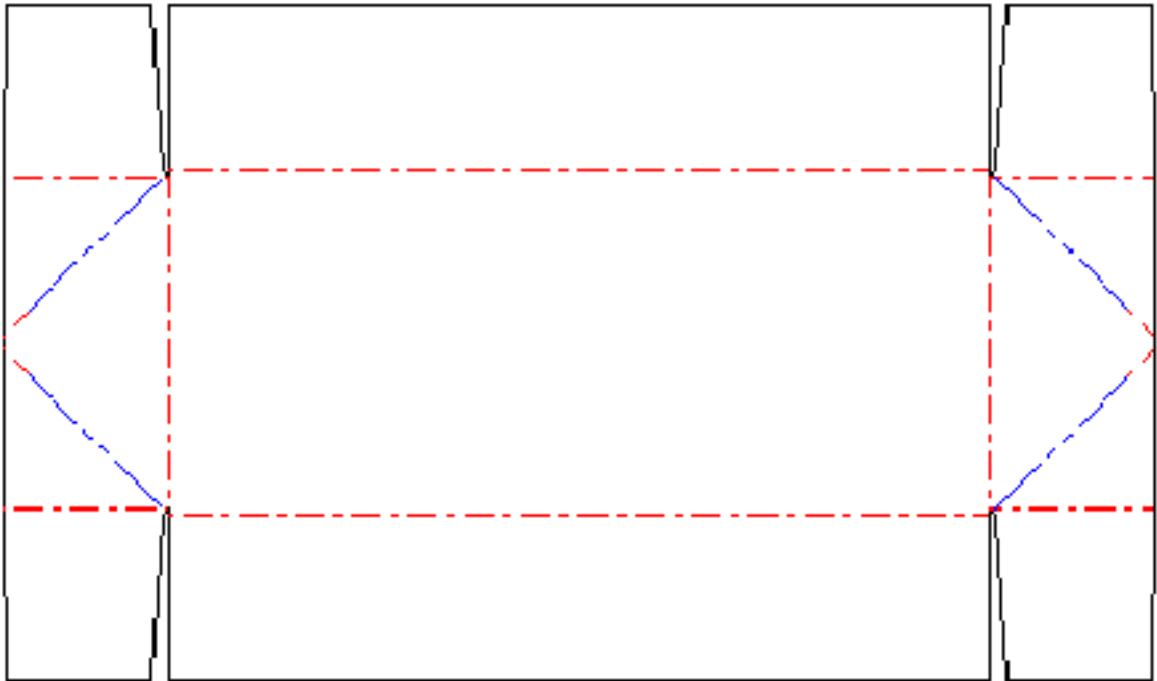
42030W - Trays - Preglued infold



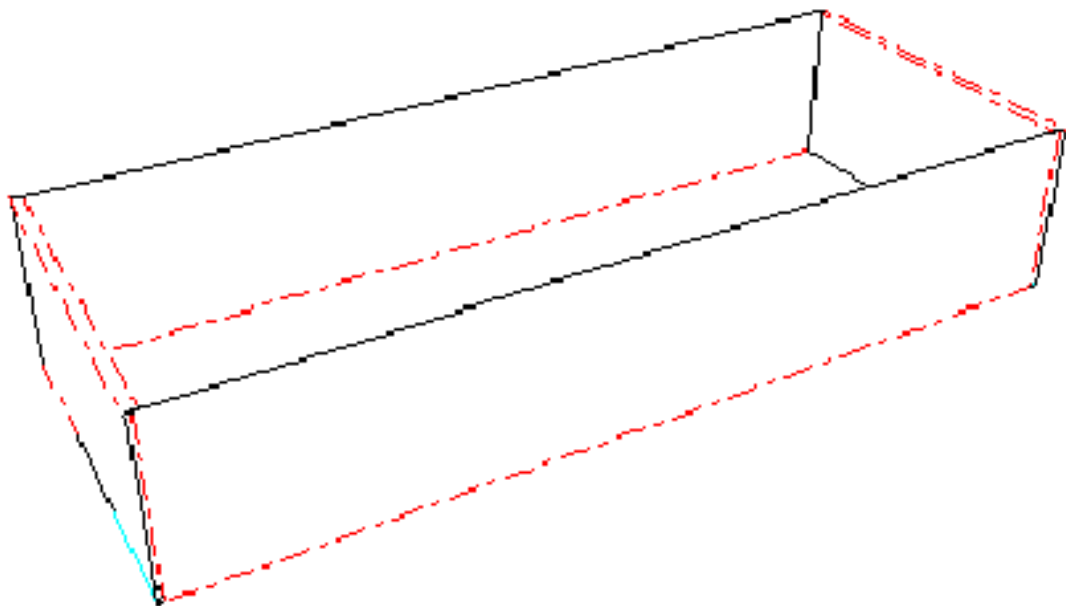


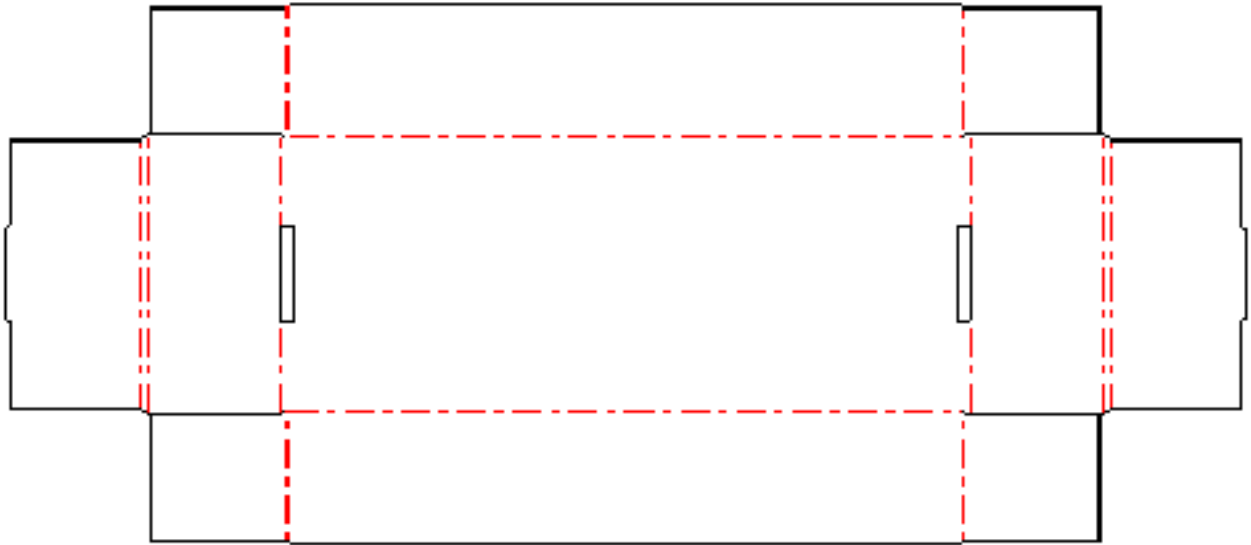
42035W - Trays - Preglued outfold





42010W - Trays - Two side rollover



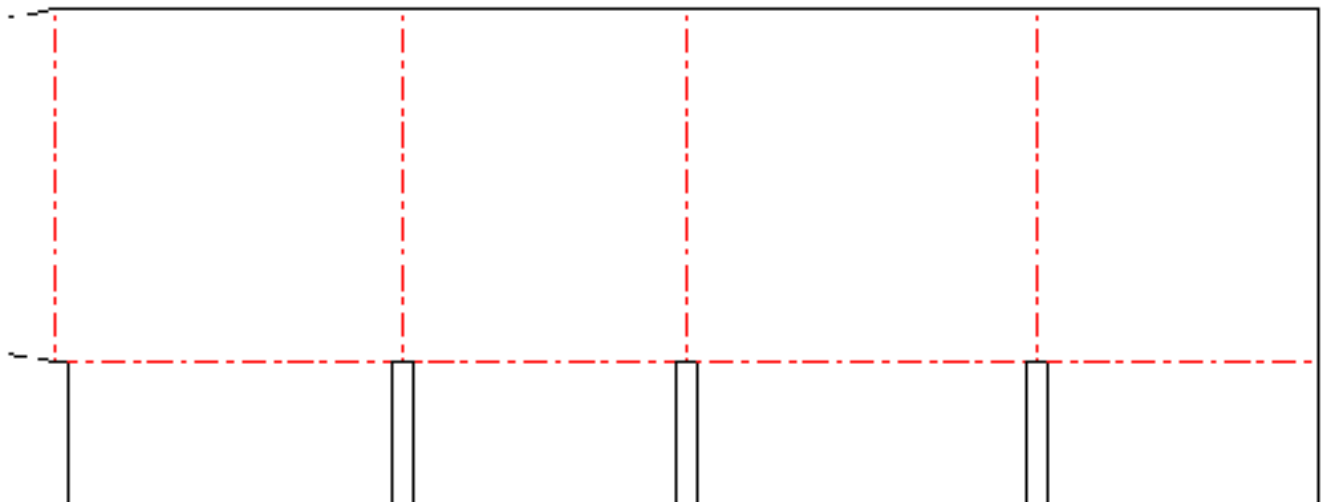
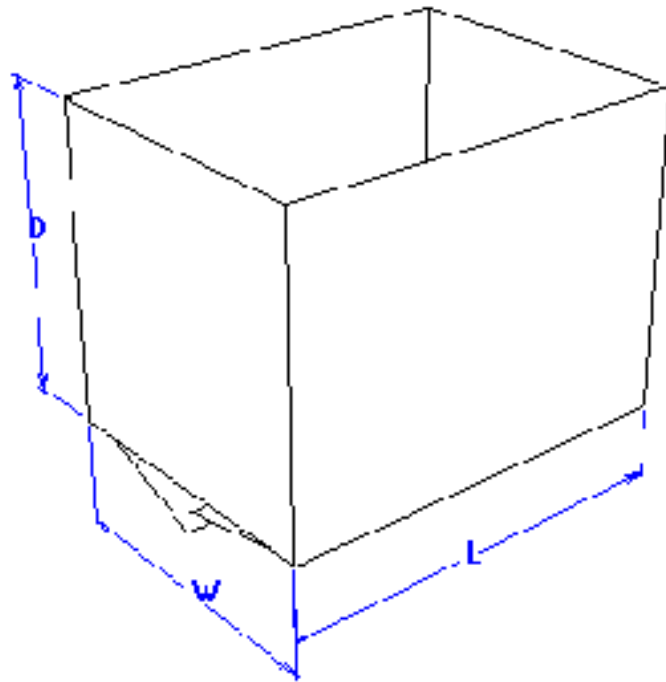


FEFCO Standards - 200 Series

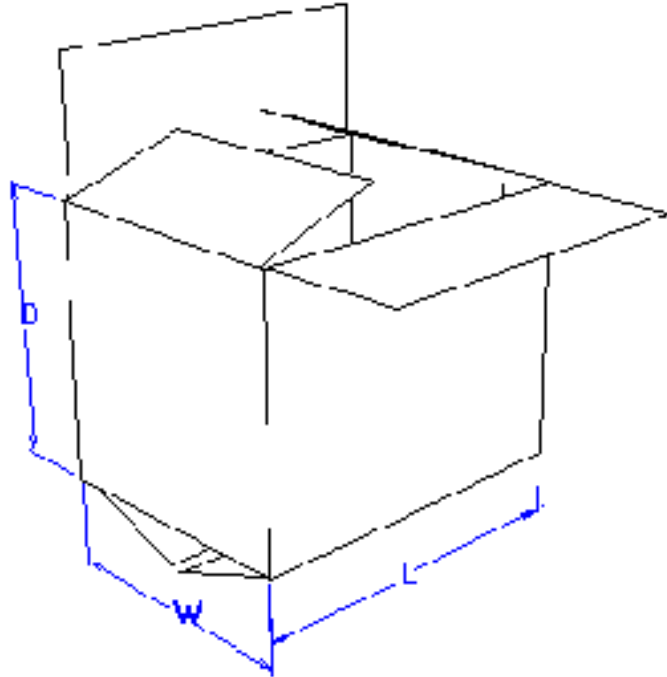
FEFCO standards are corrugated standards primarily used in Europe.

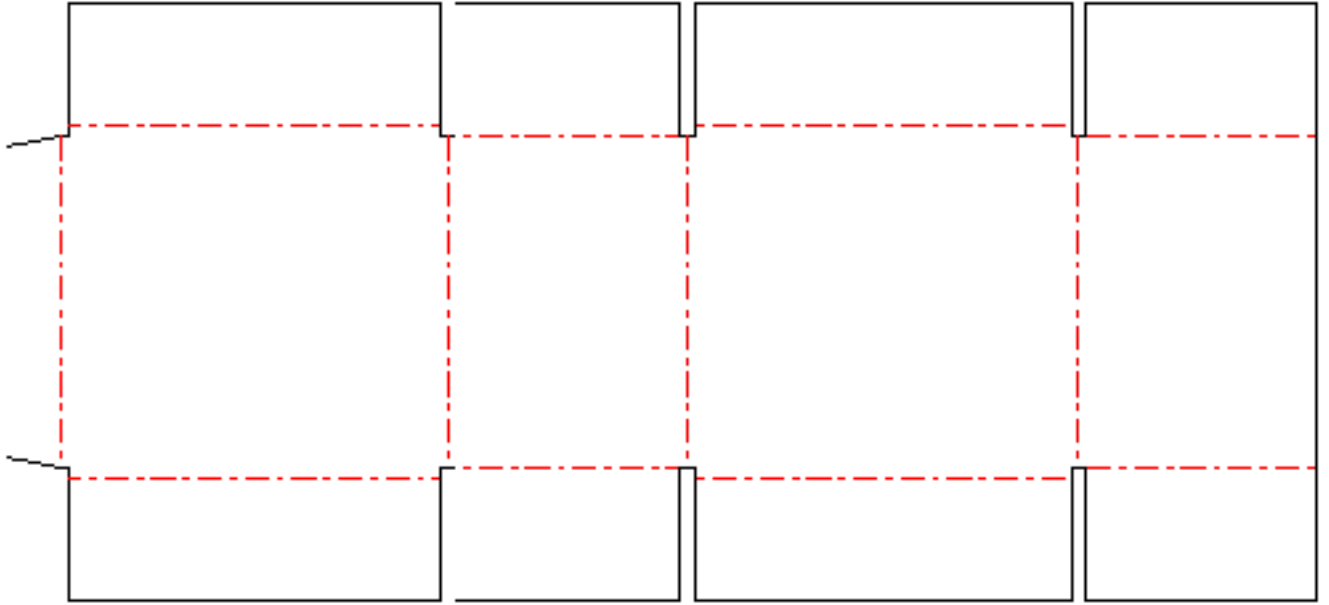
Each standard is shown folded and unfolded.

F0200

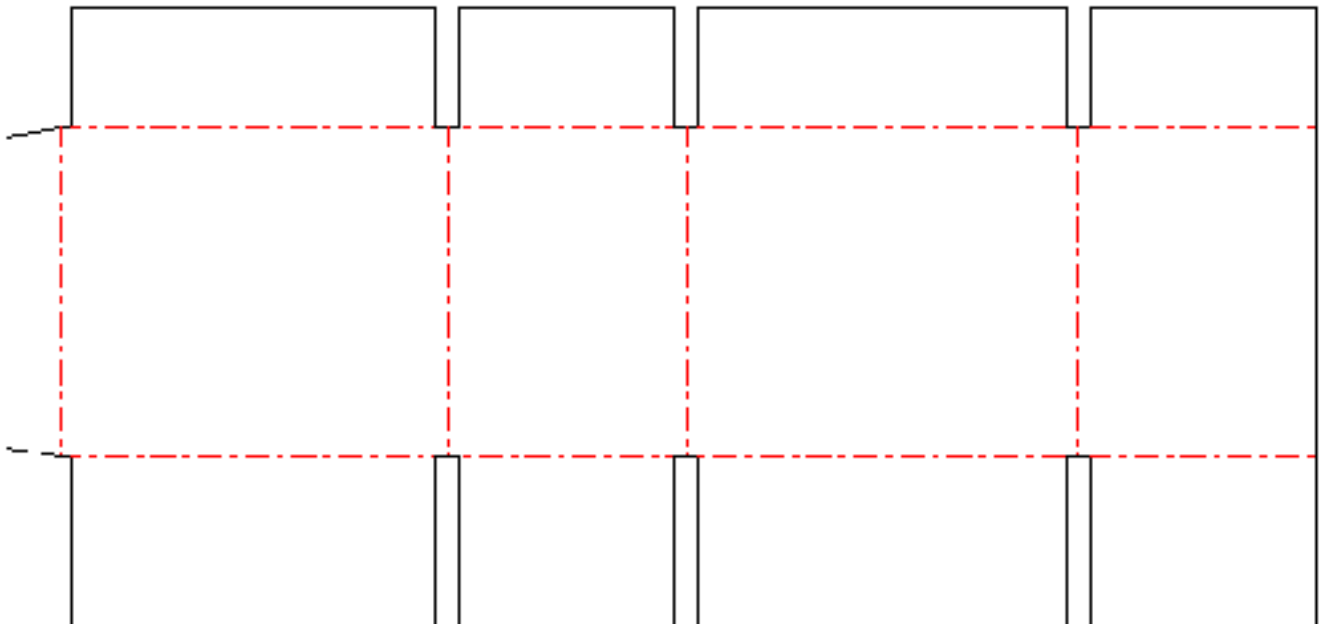
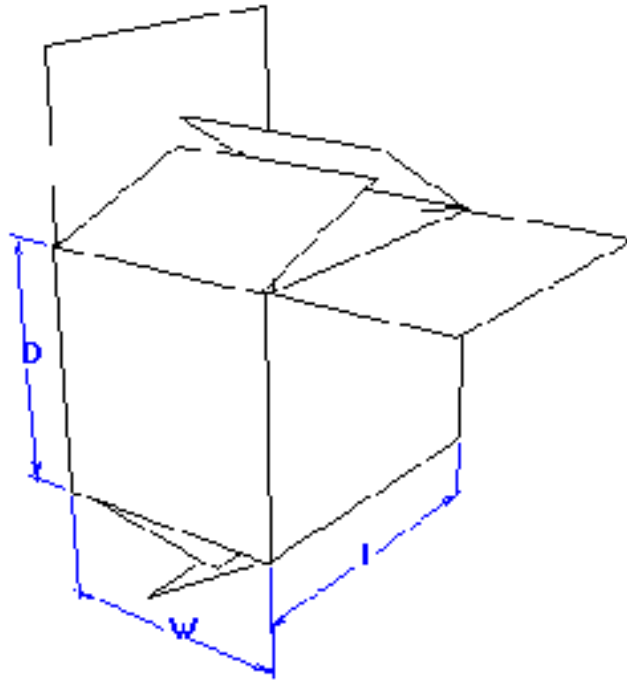


F0201

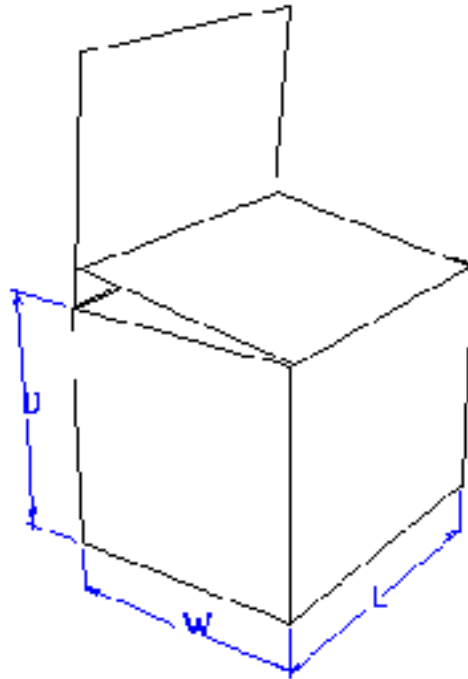


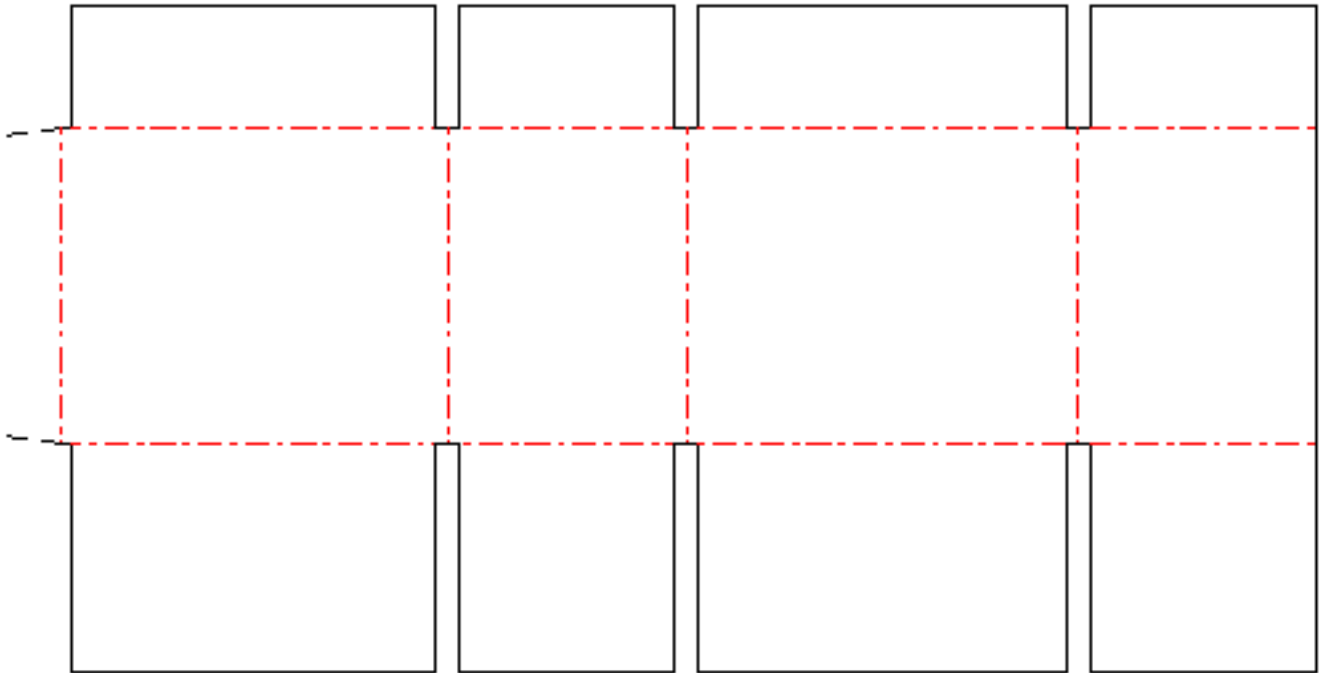


F0202

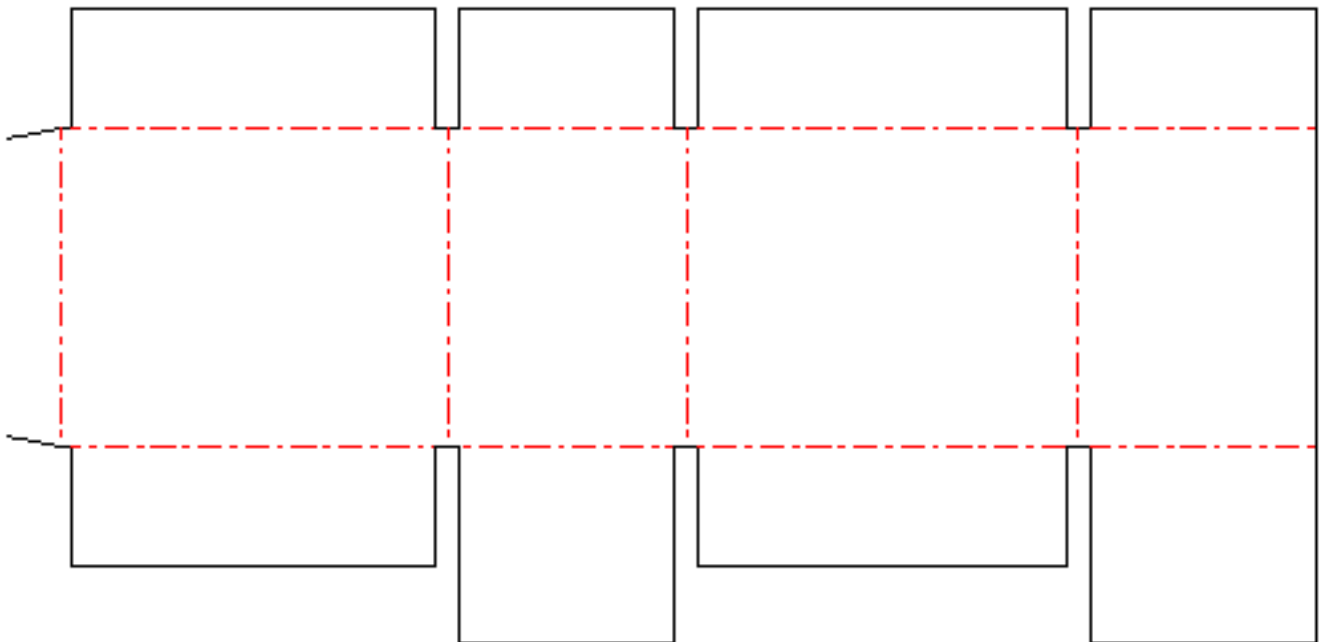
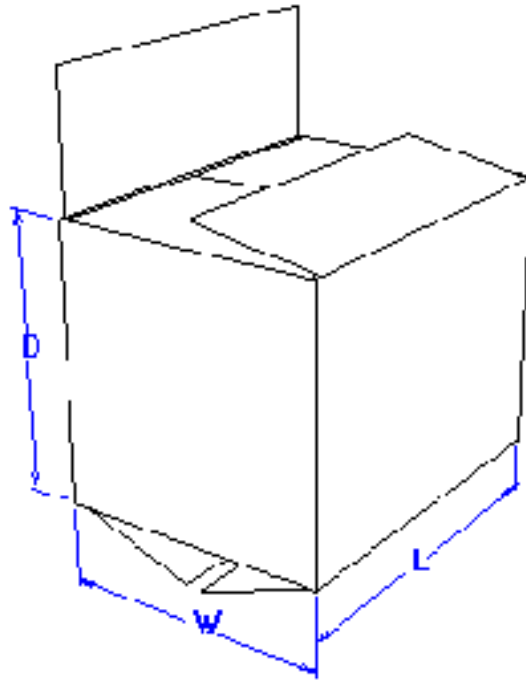


F0203

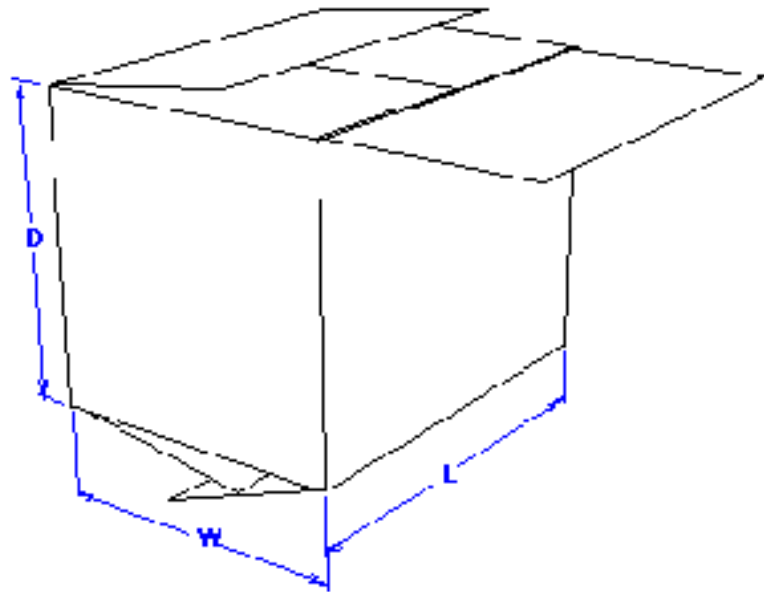


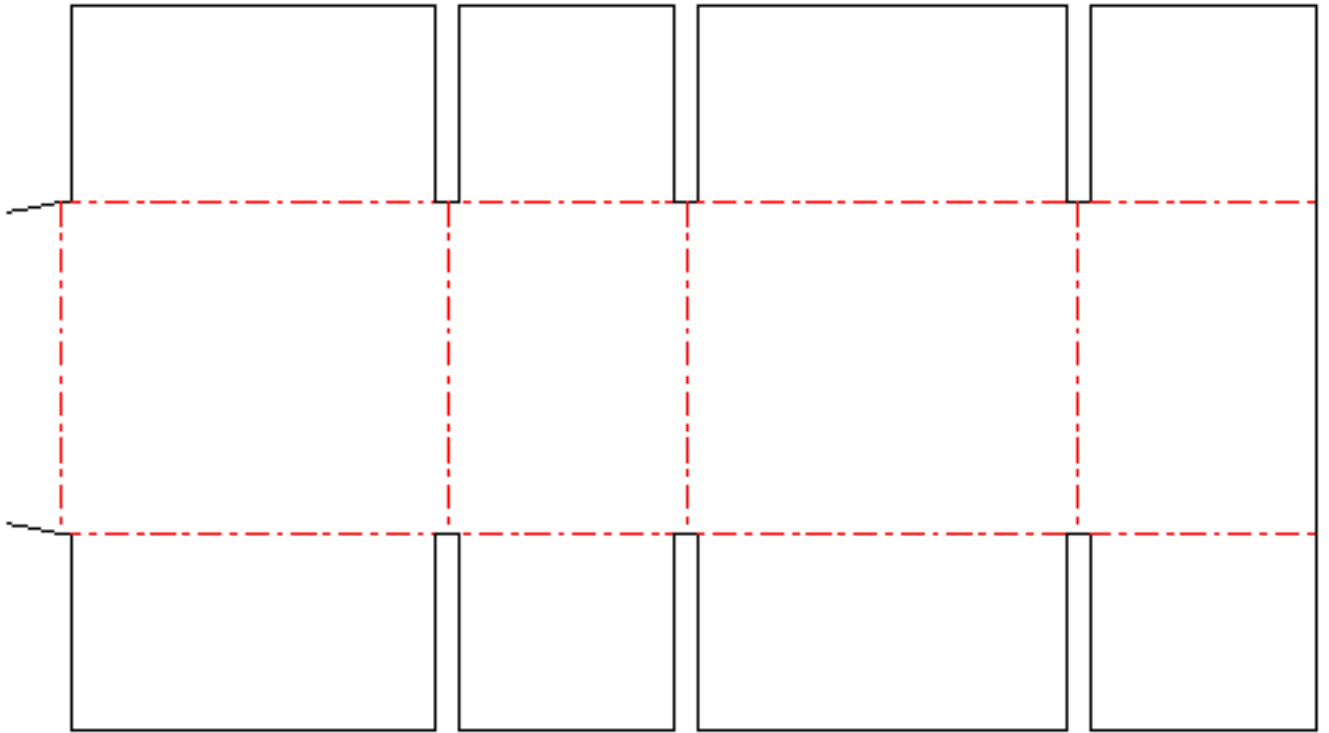


F0204

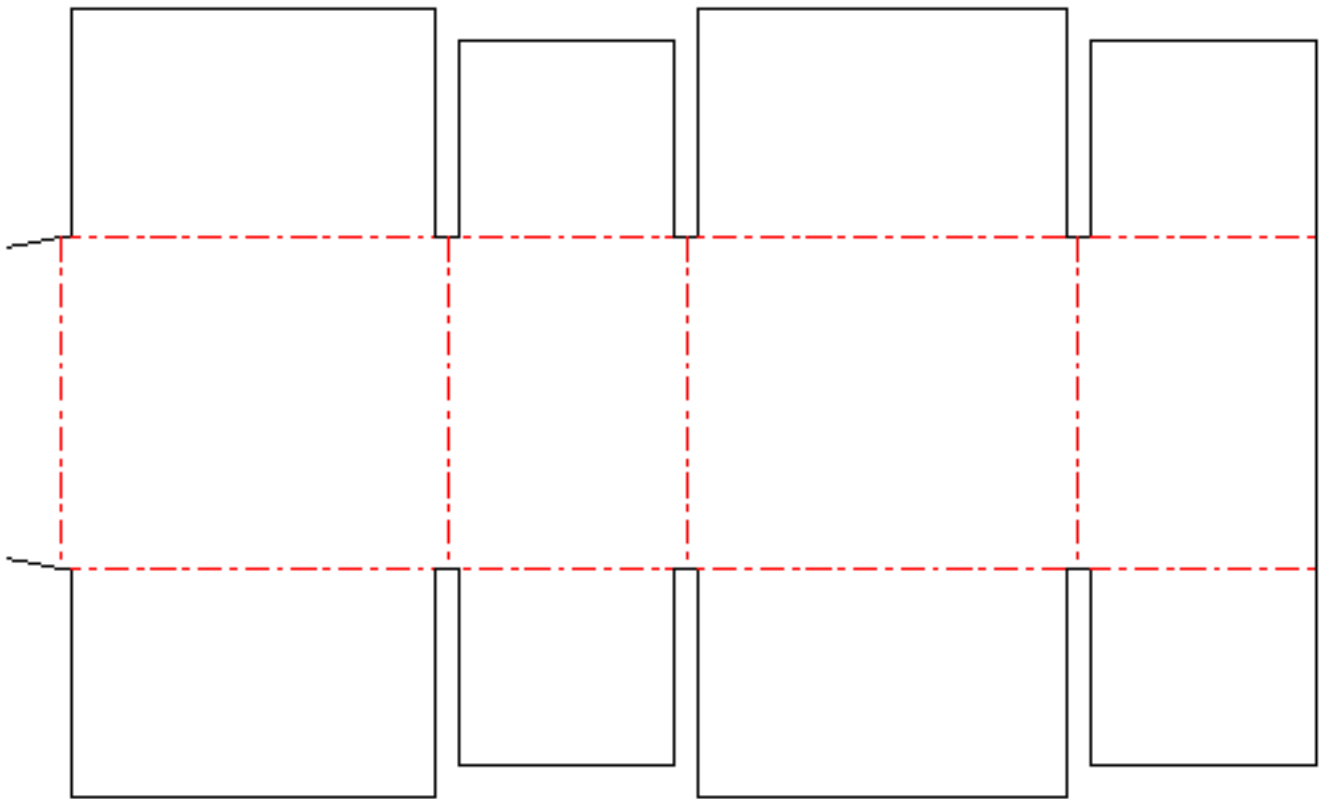
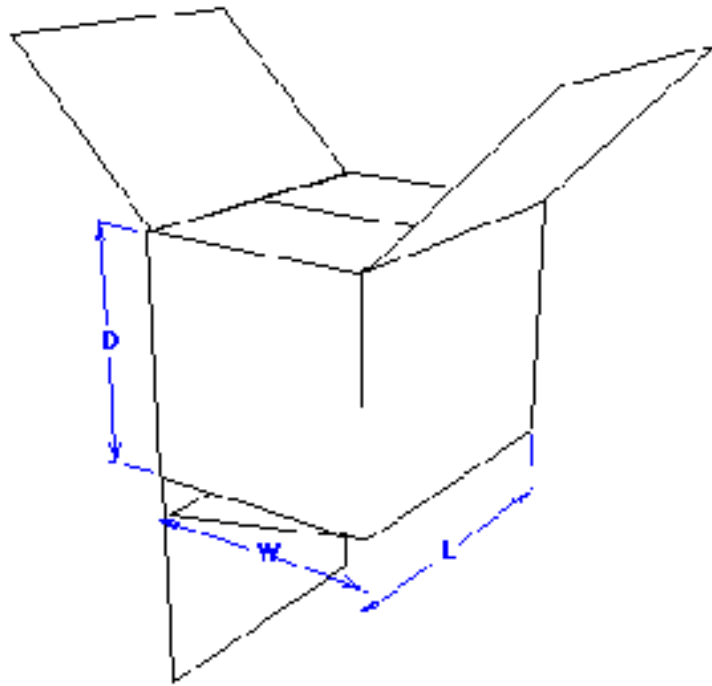


F0205



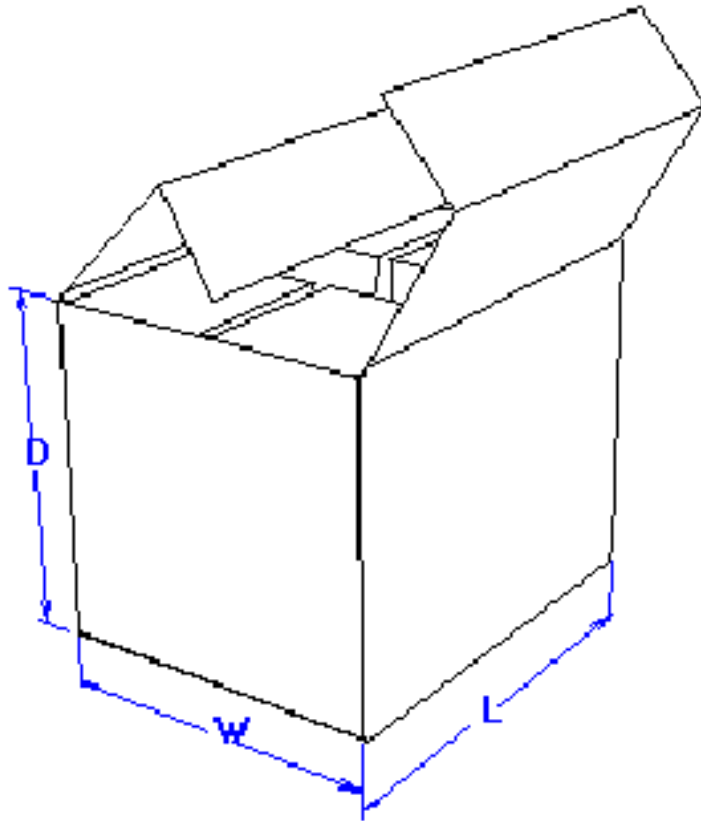


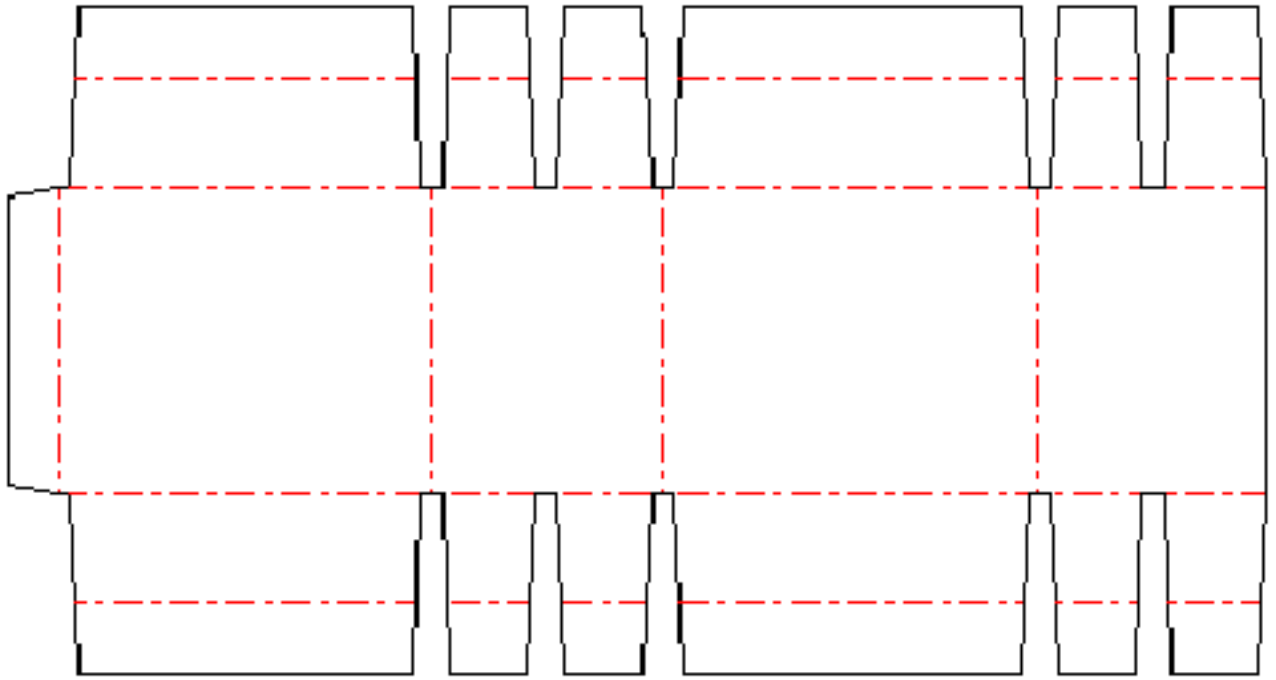
F0206



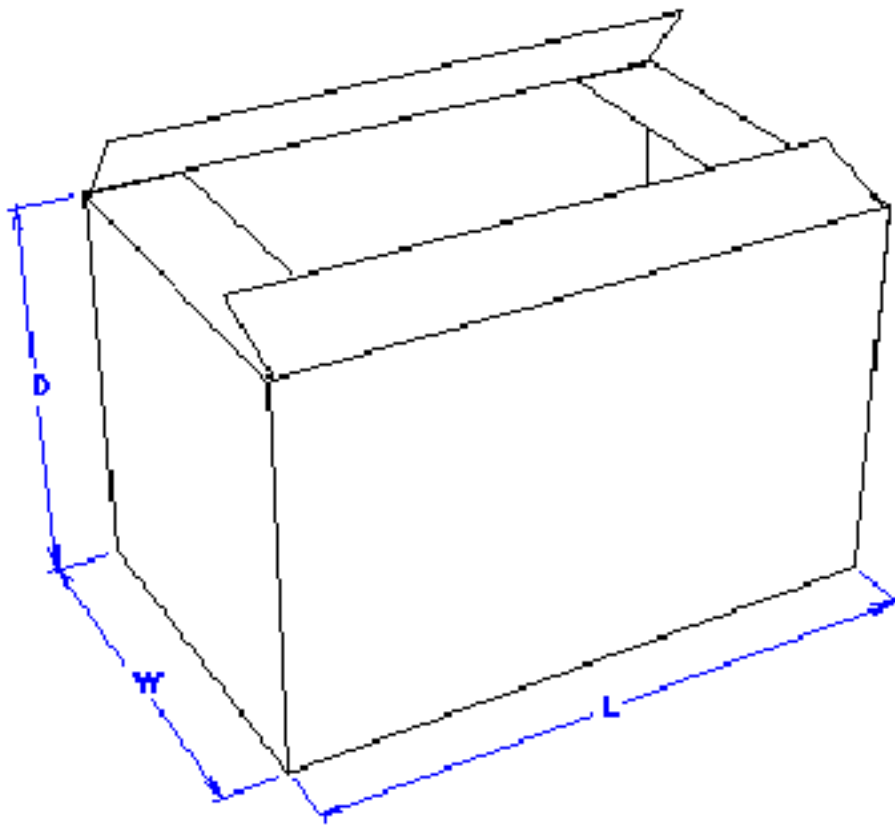
F0208

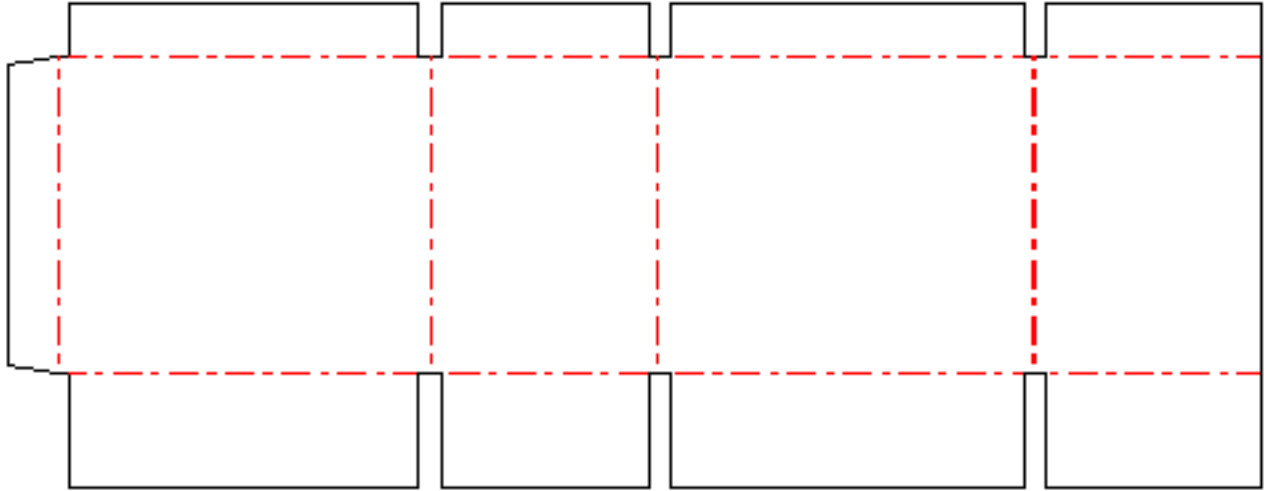
F0207 does not exist.



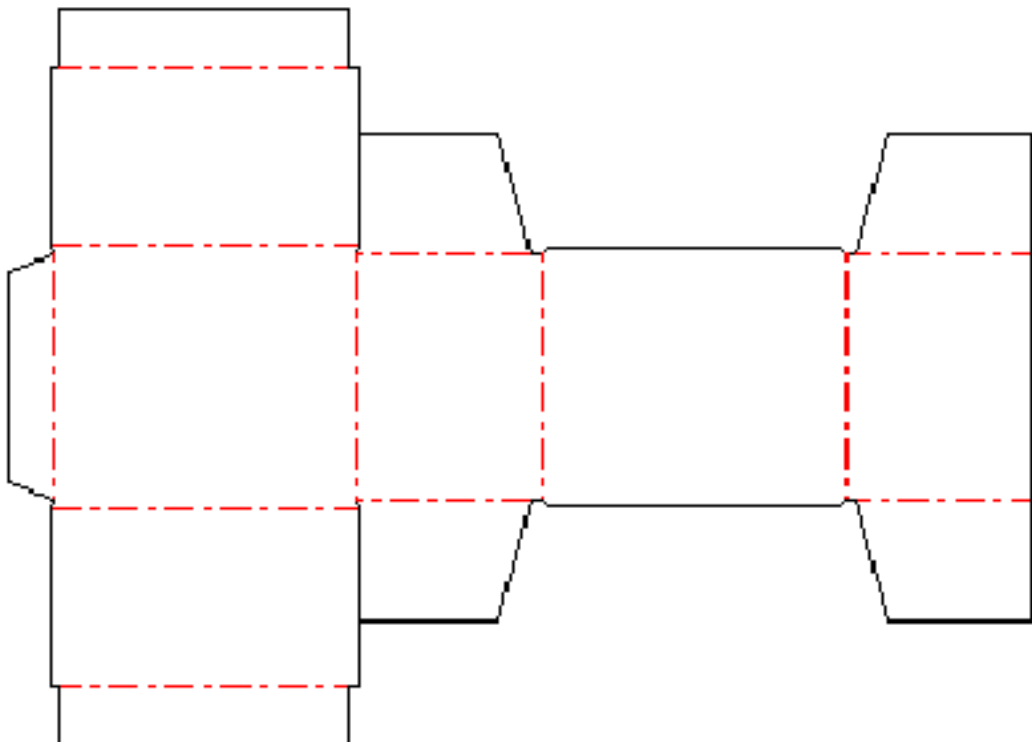
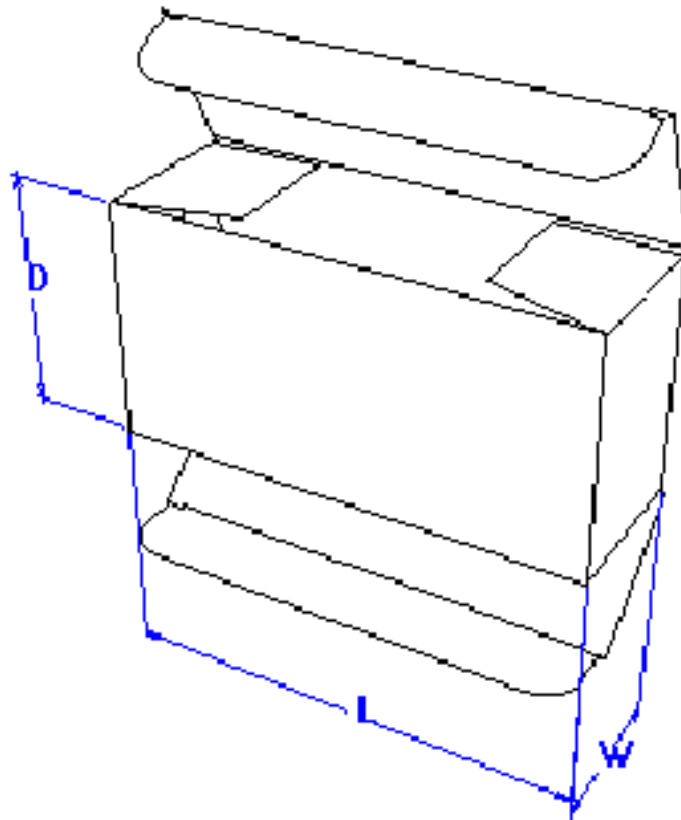


F0209

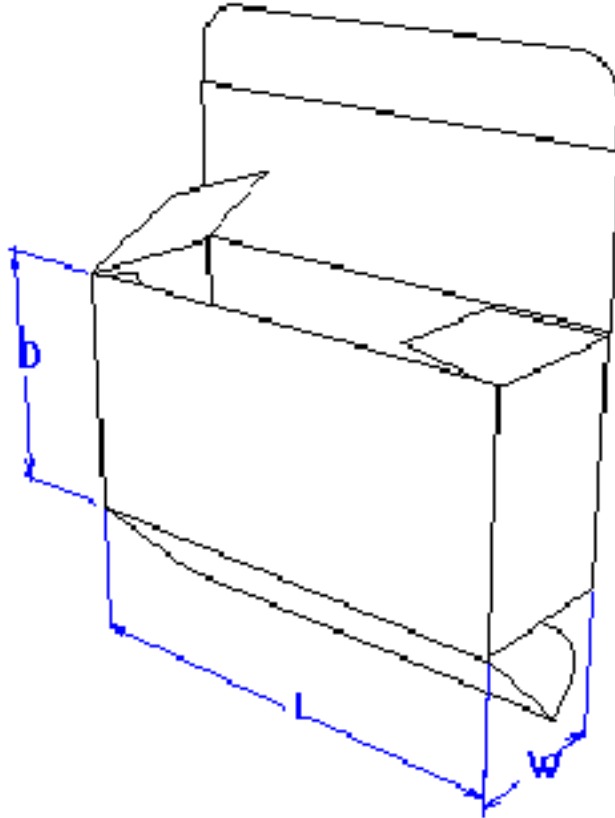


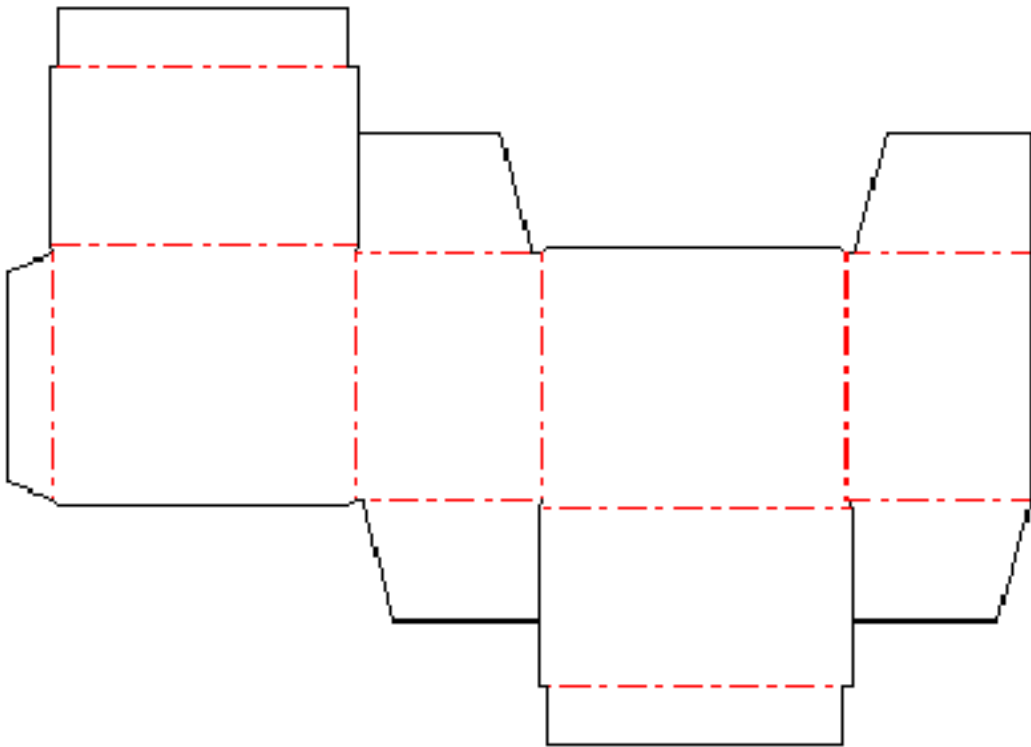


F0210

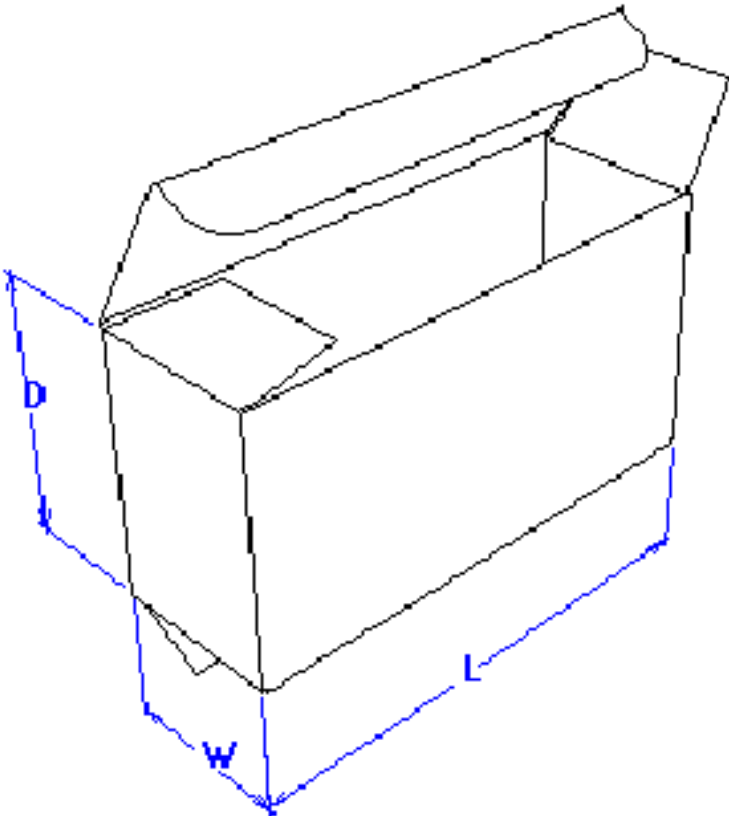


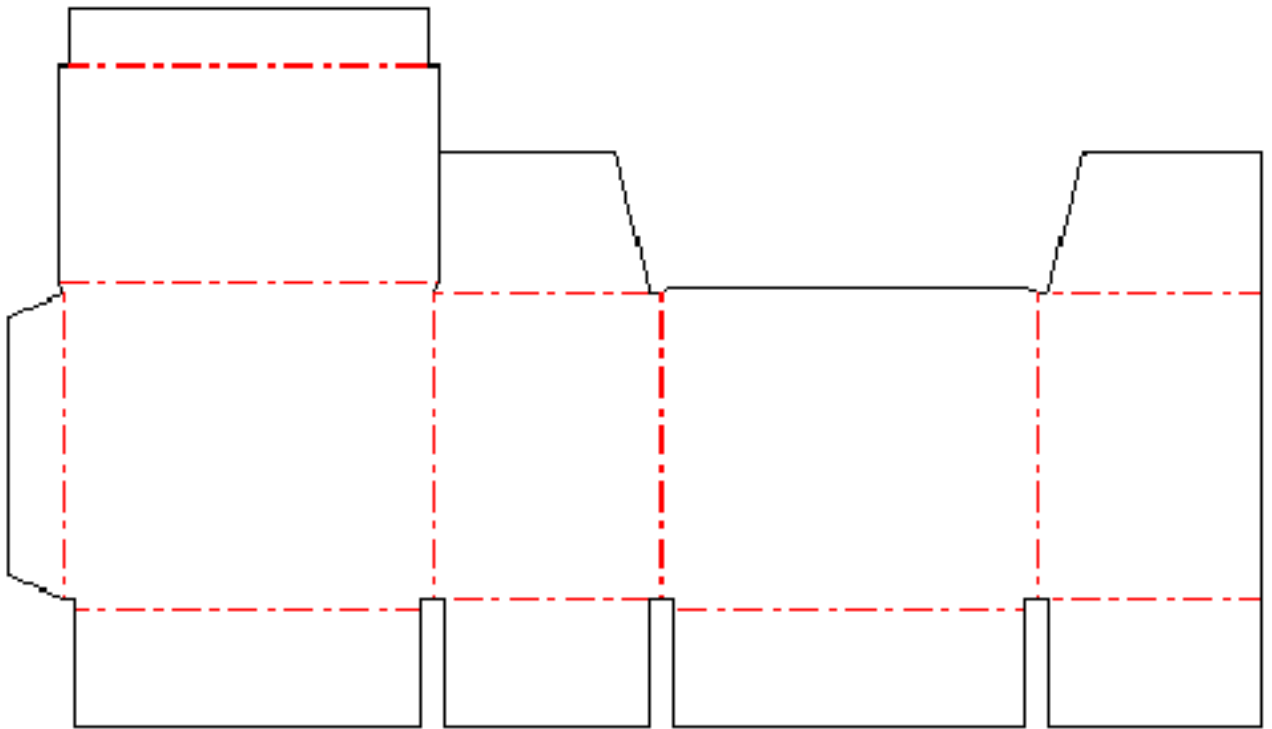
F0211





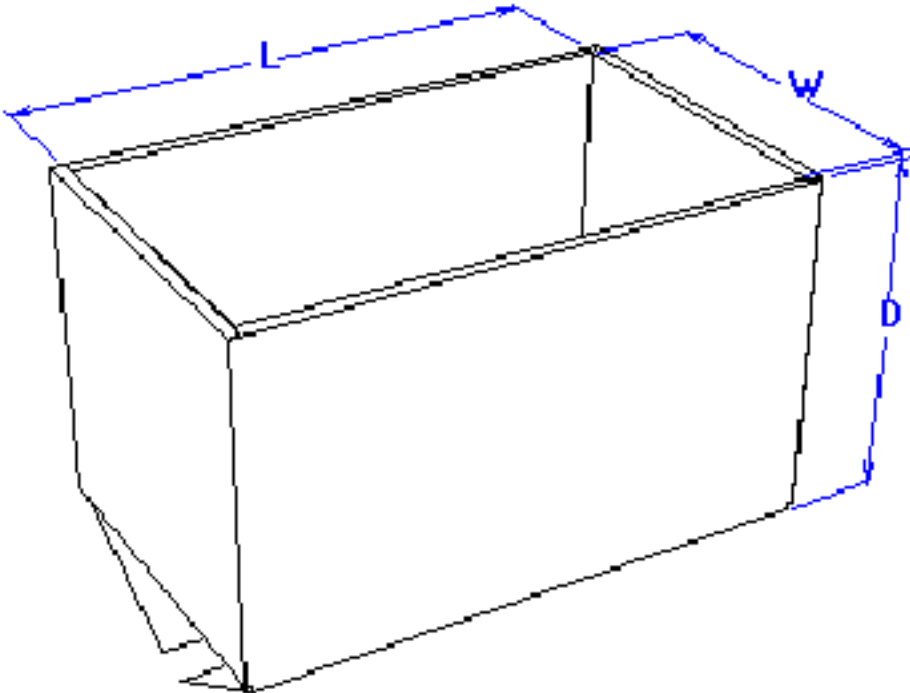
F0212

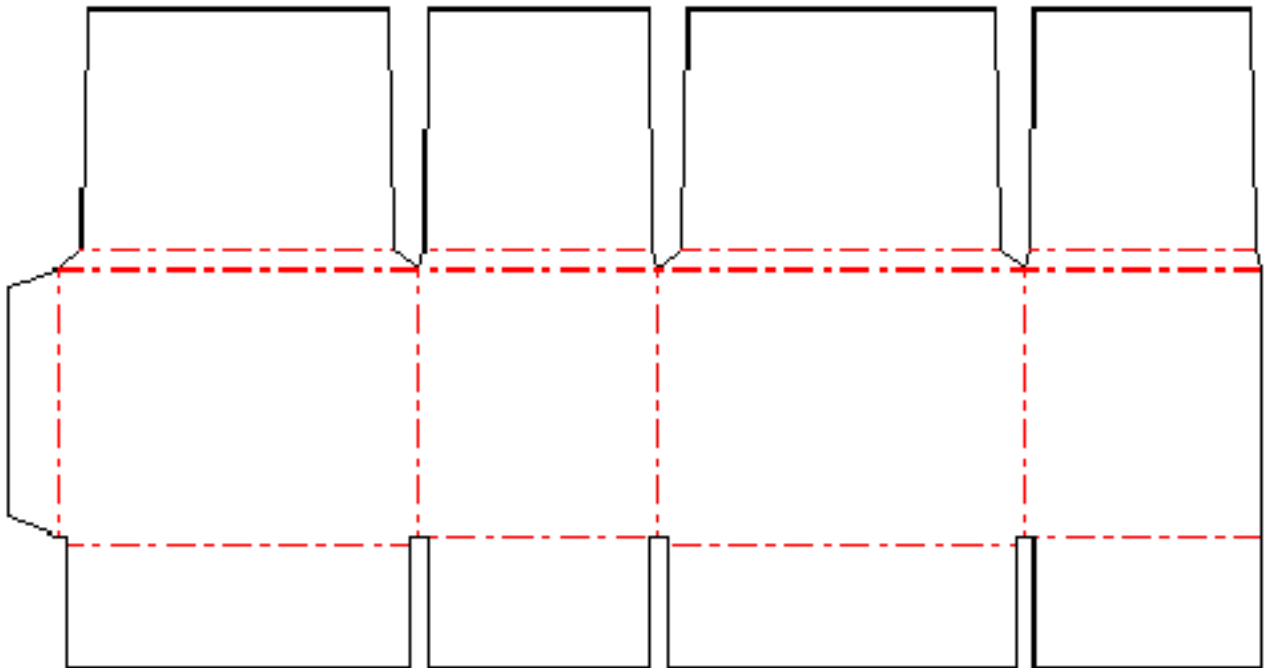




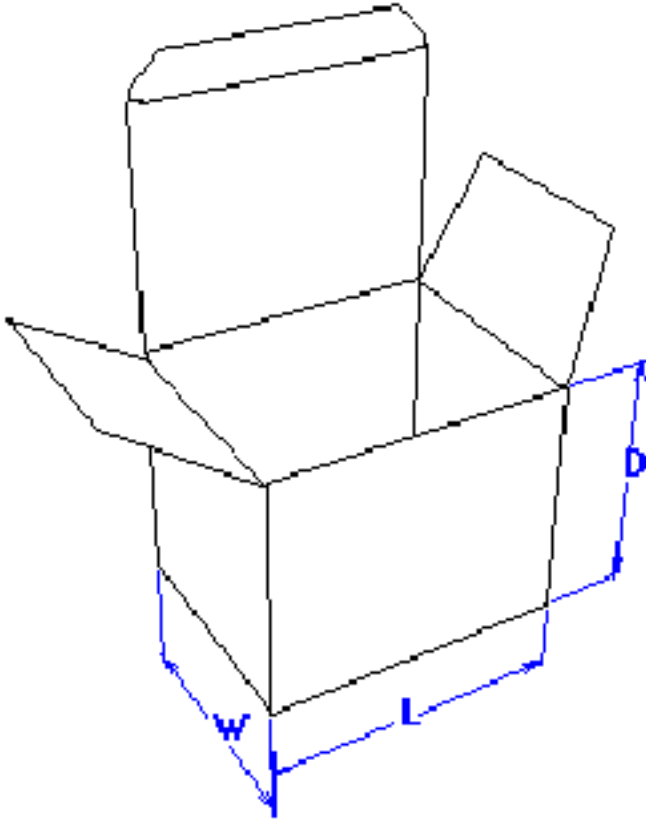
F0214

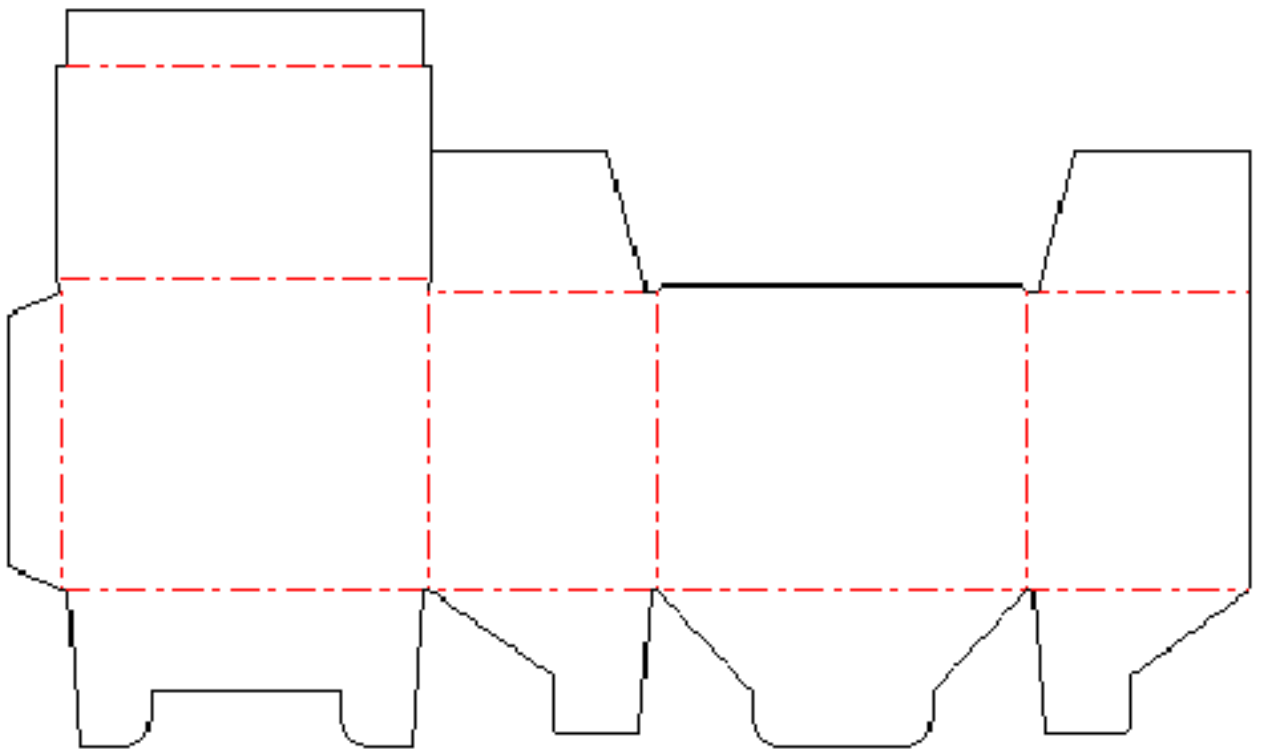
There is no F0213.



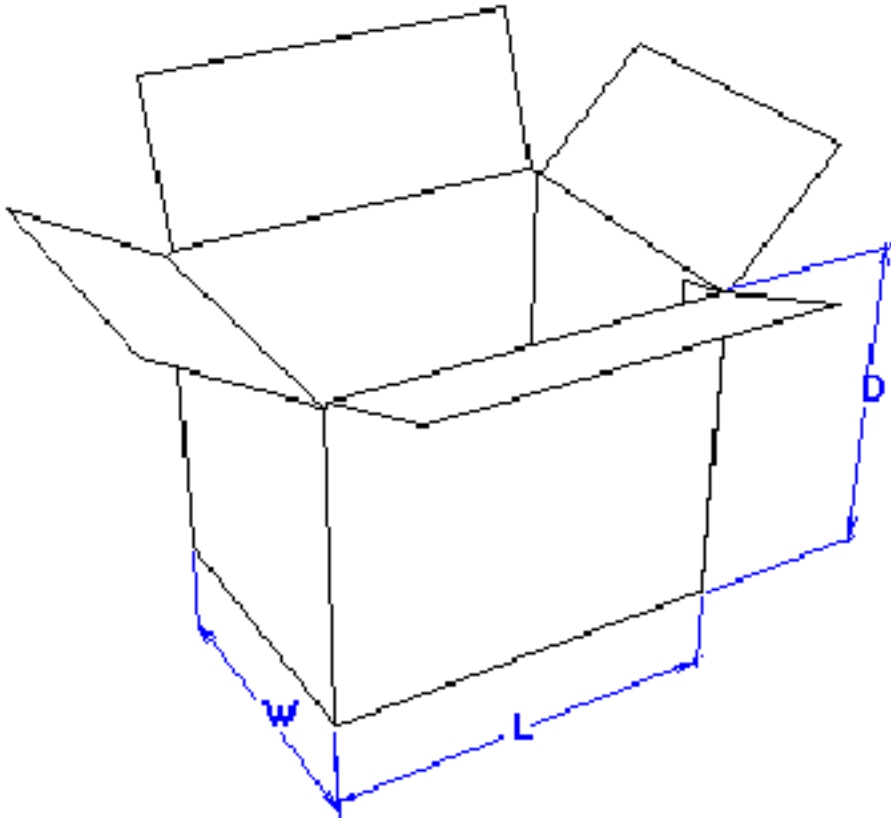


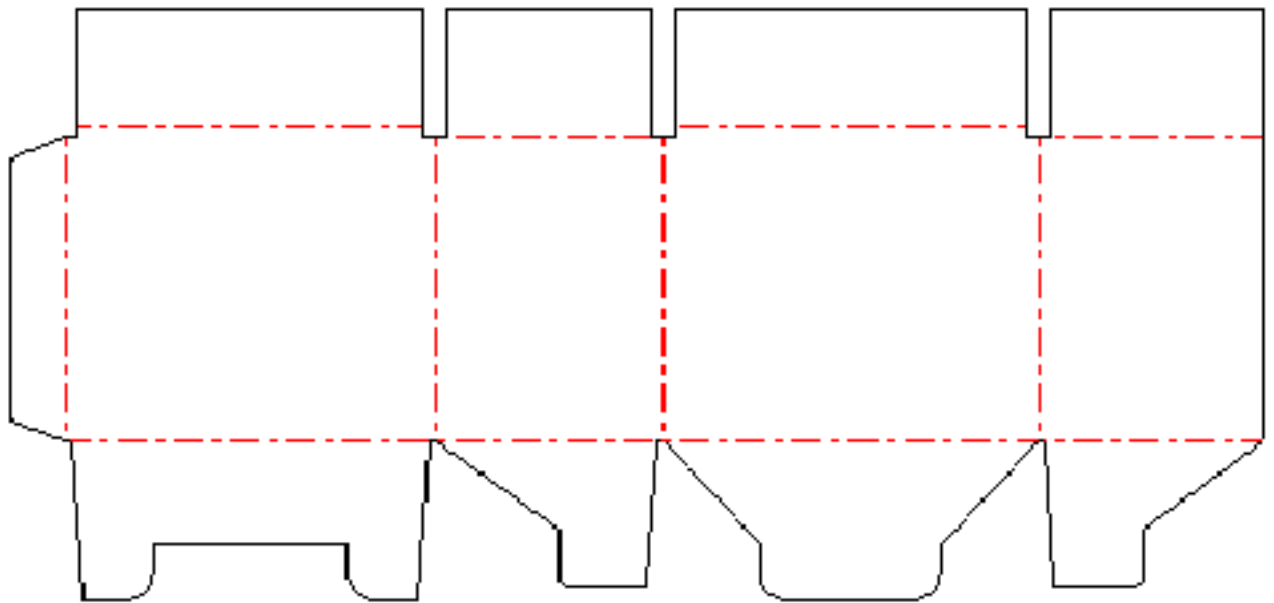
F0215



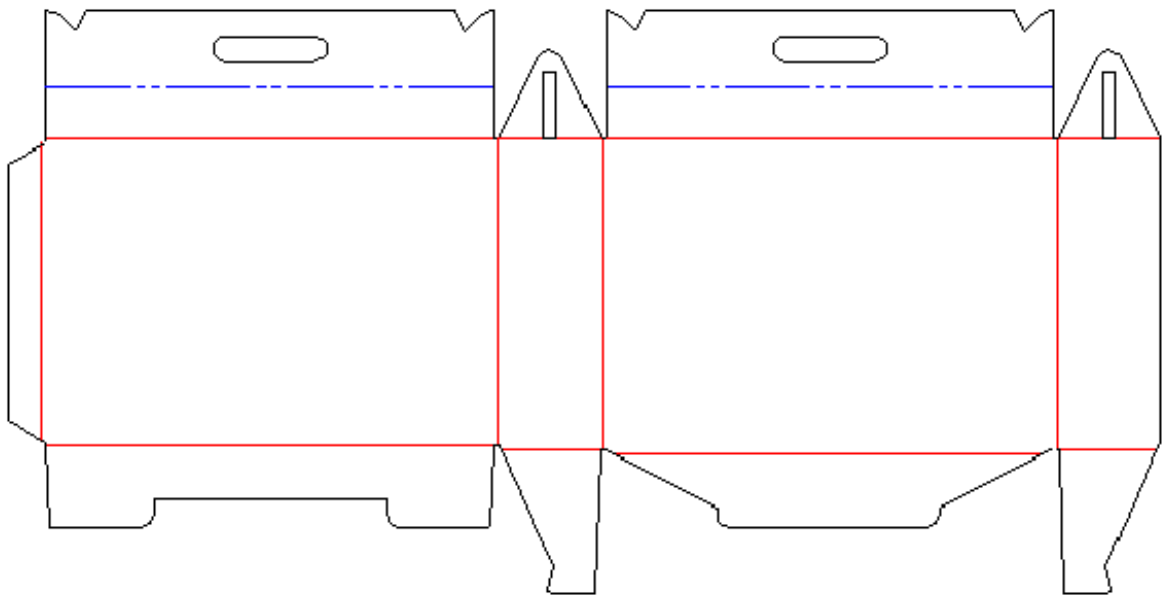
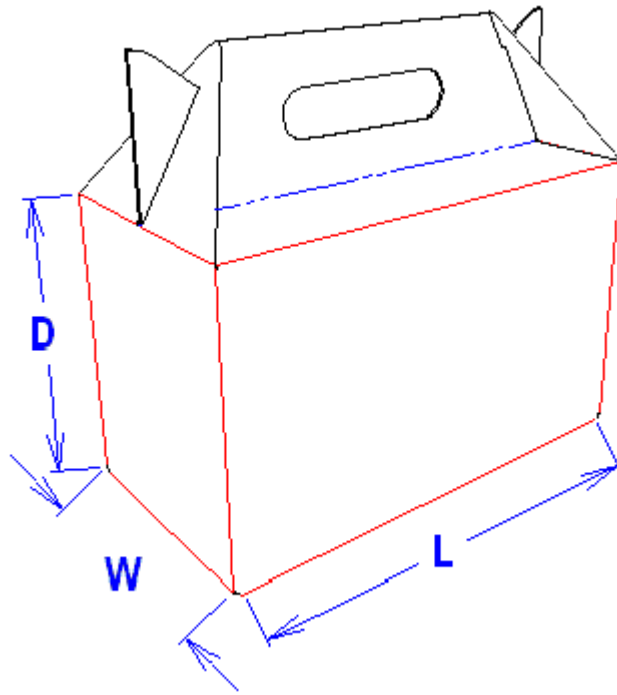


F0216

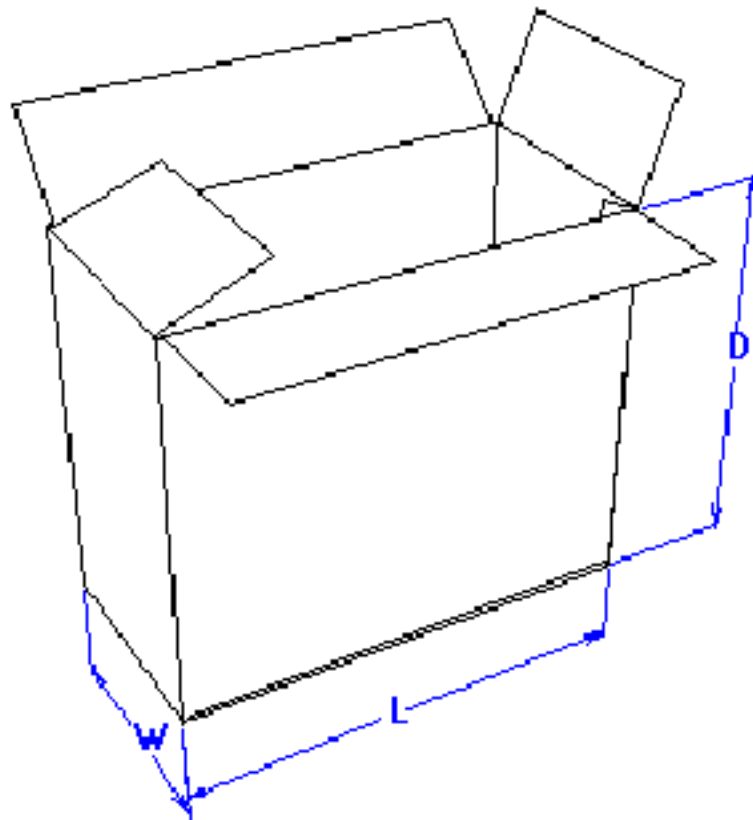


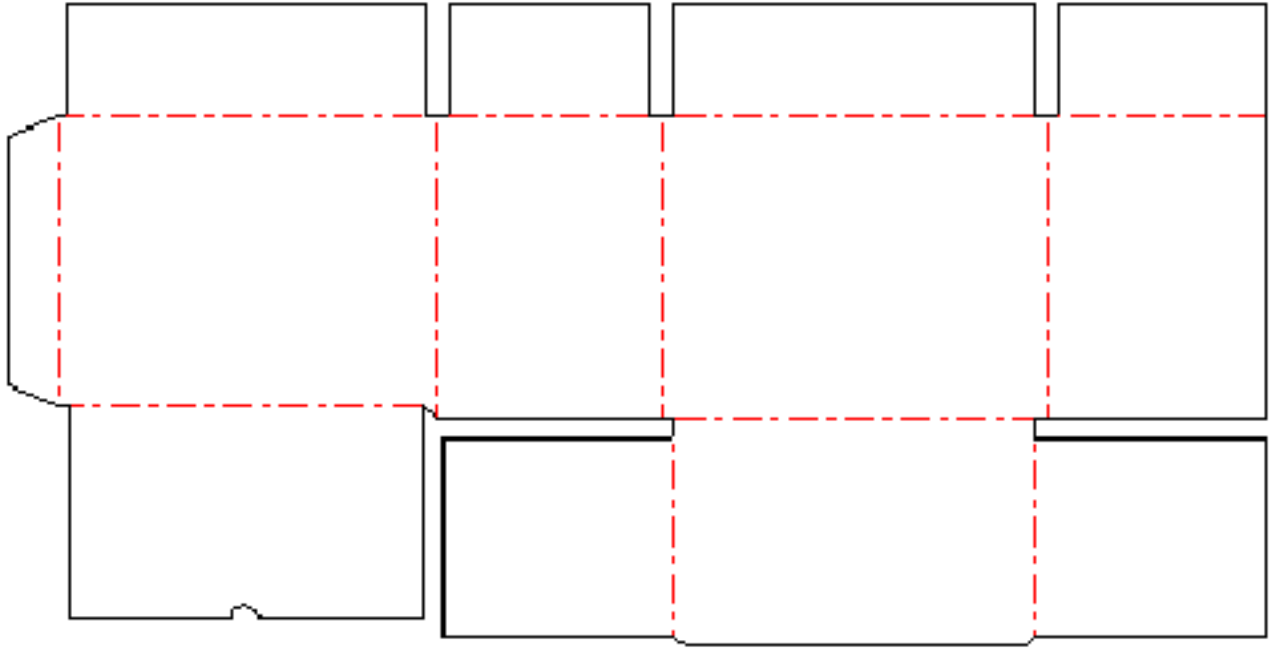


F0217

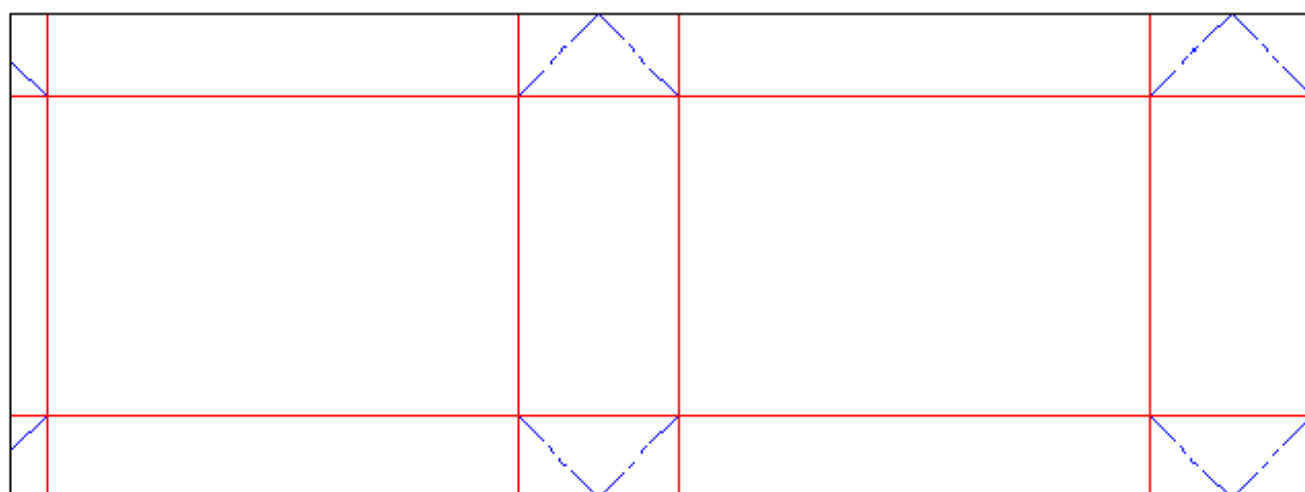
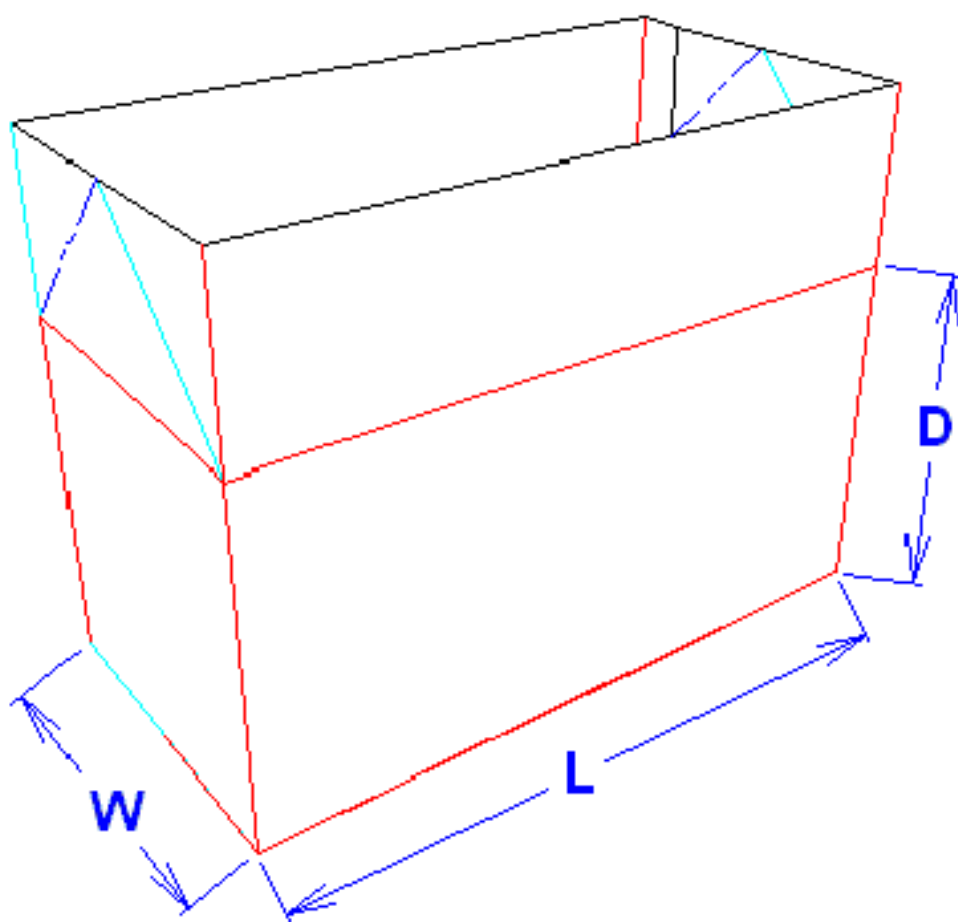


F0225

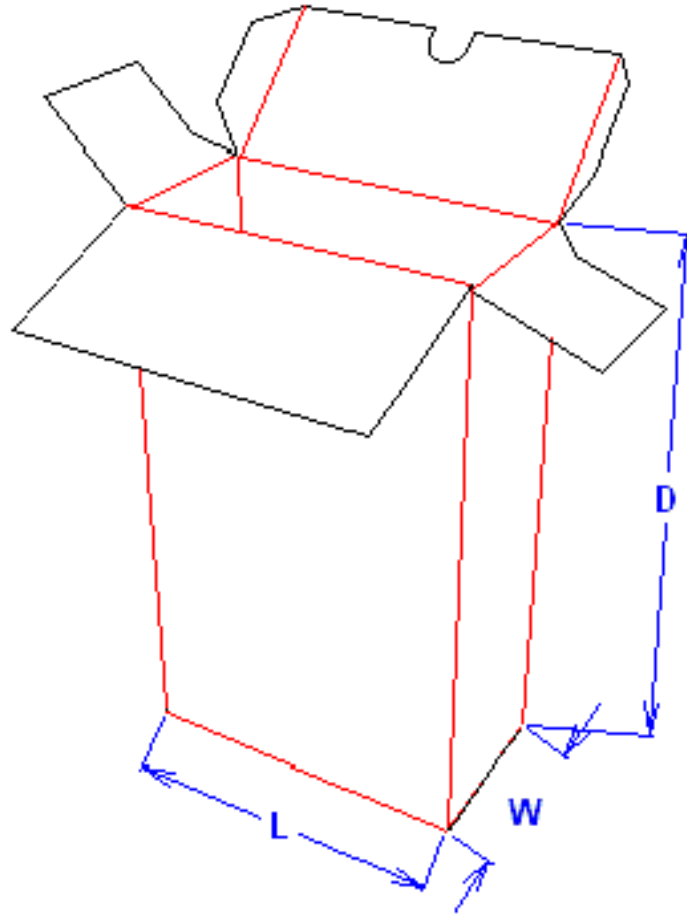


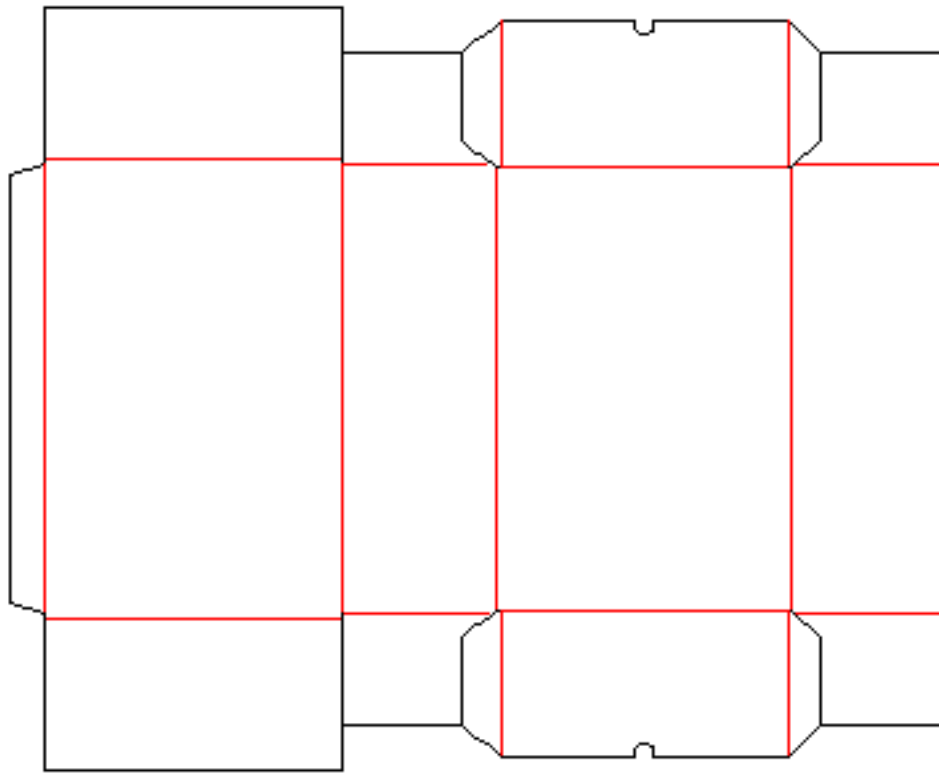


F0226

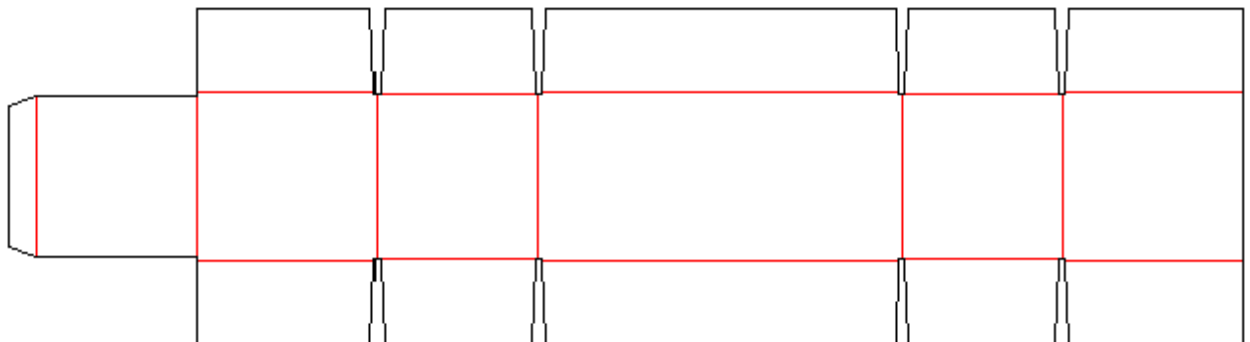
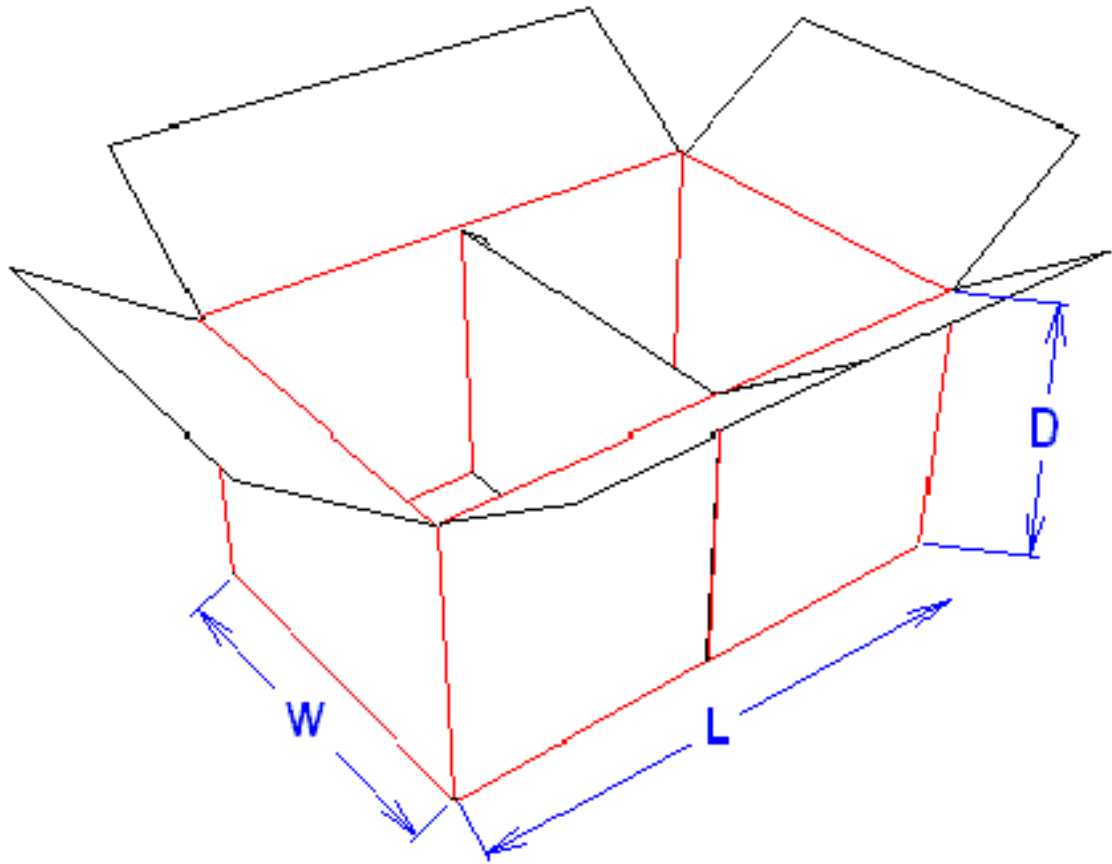


F0227

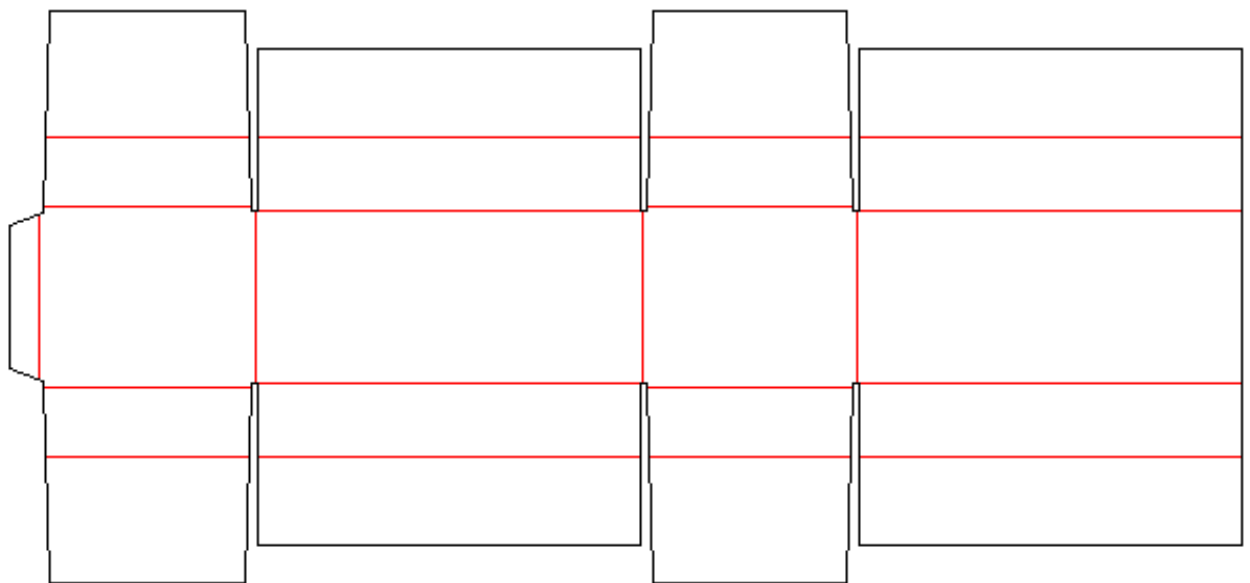
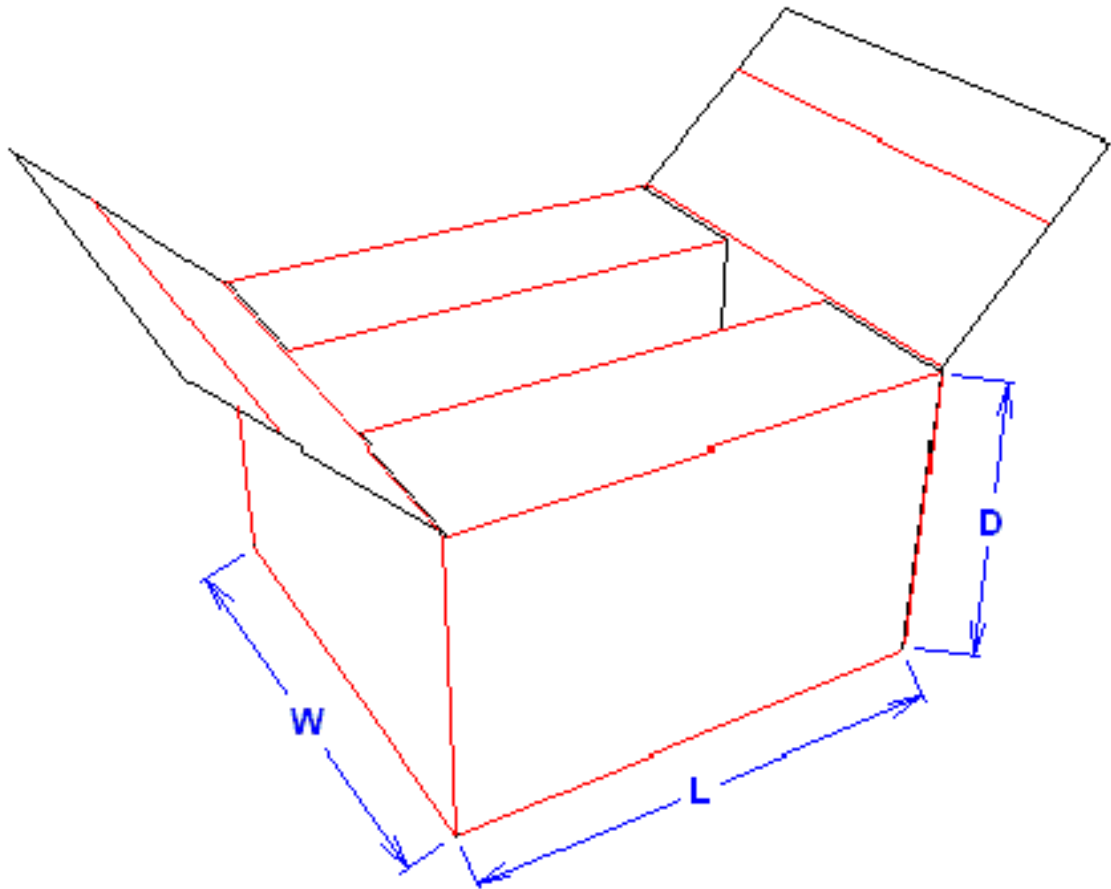




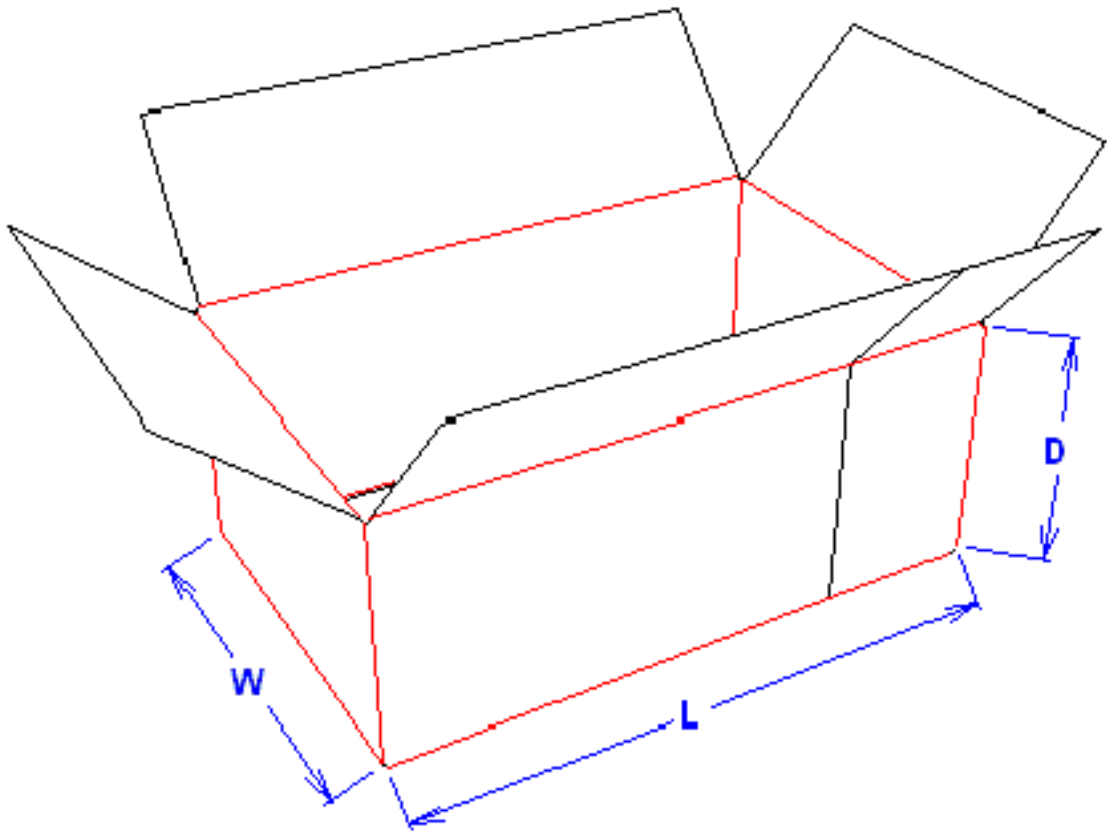
F0228

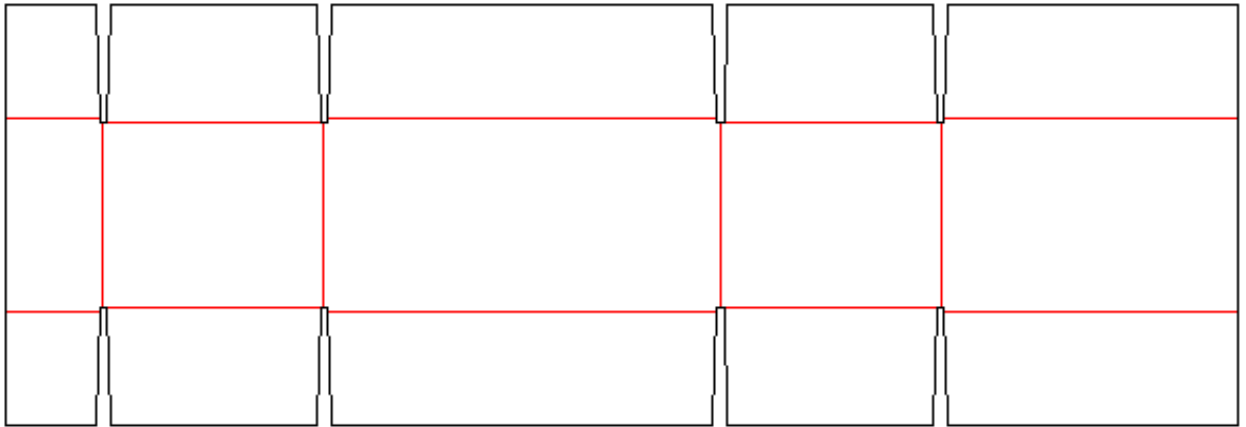


F0229

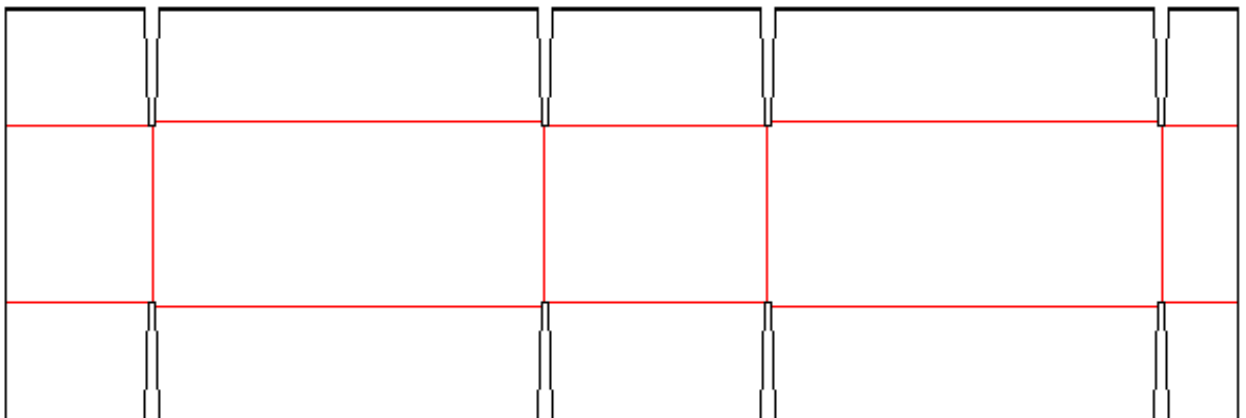
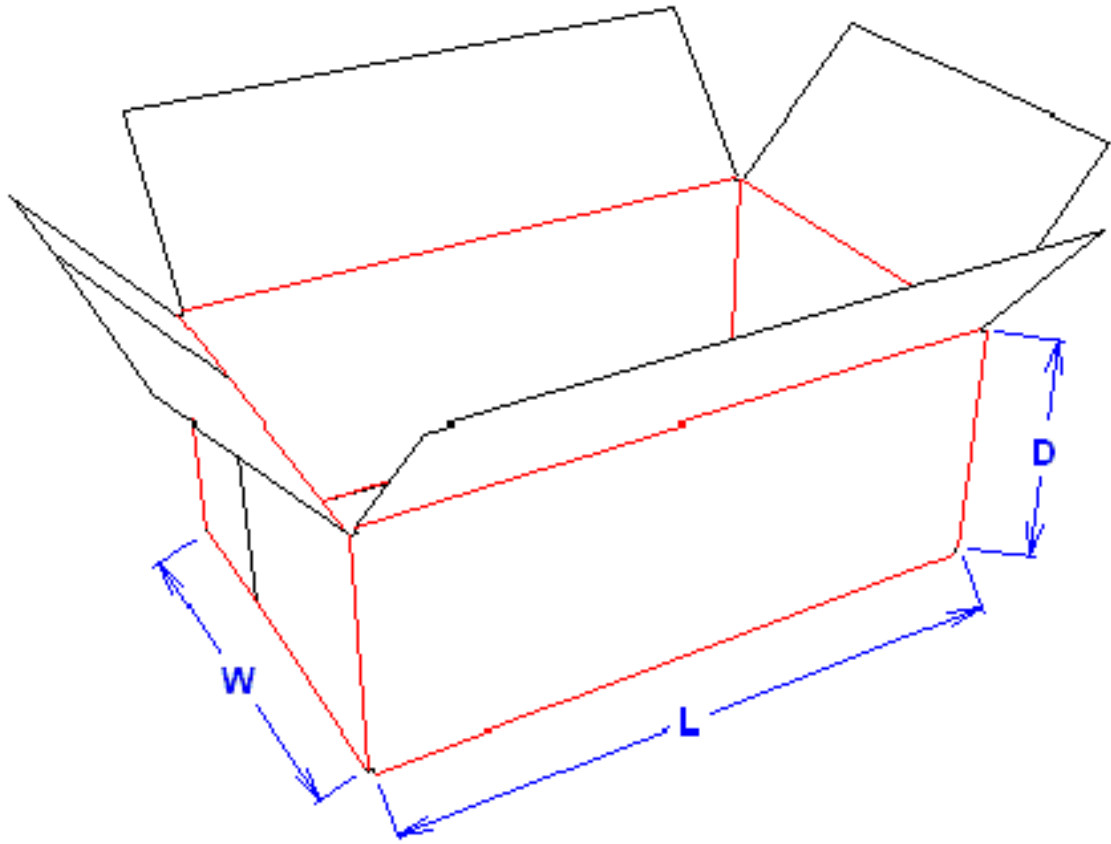


F0230



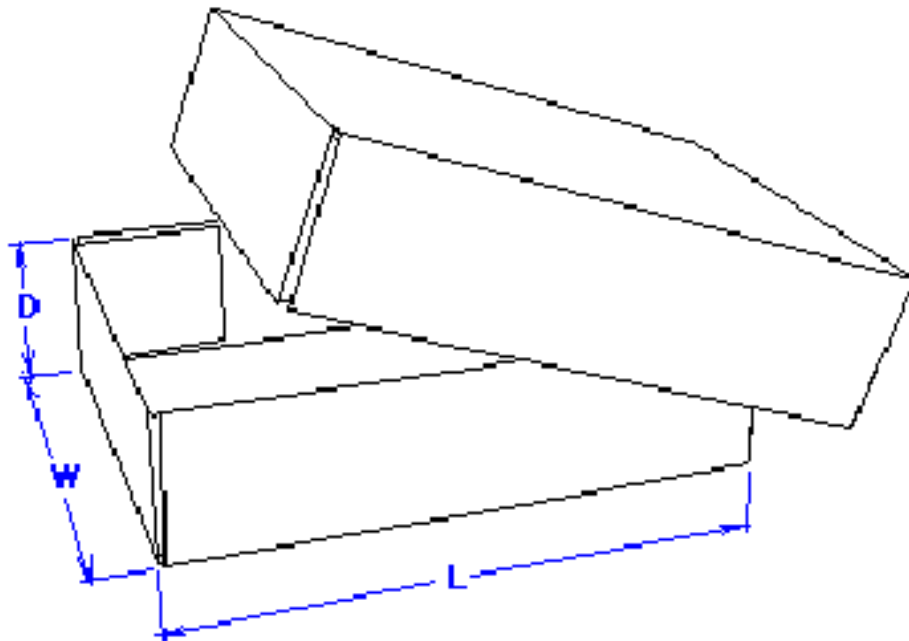


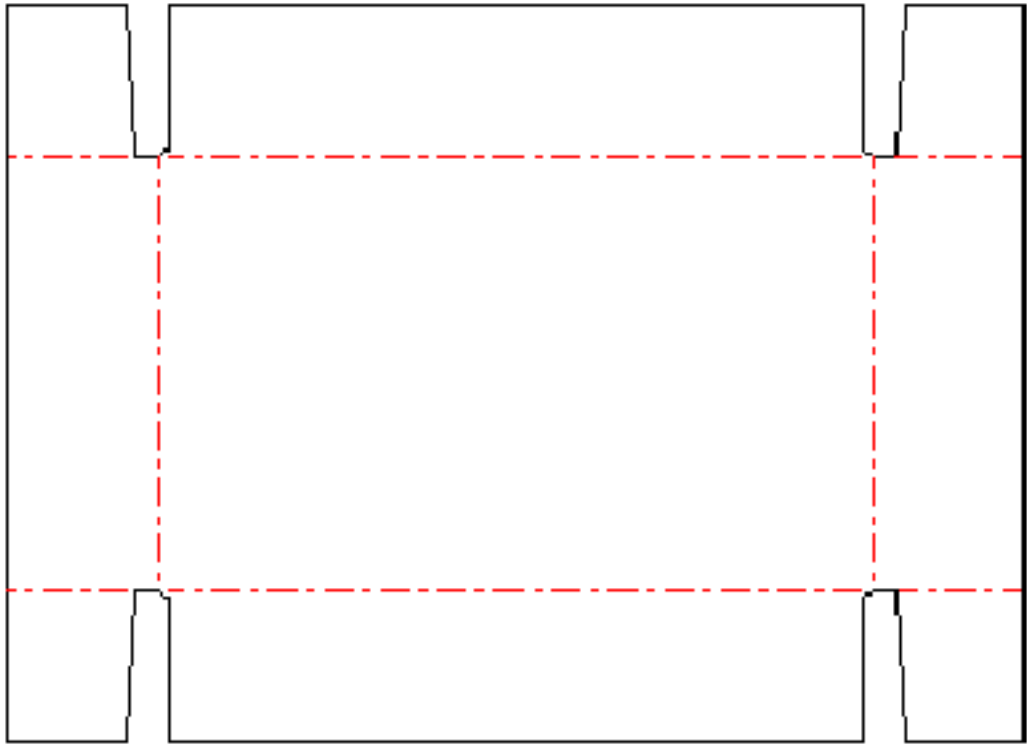
F0231



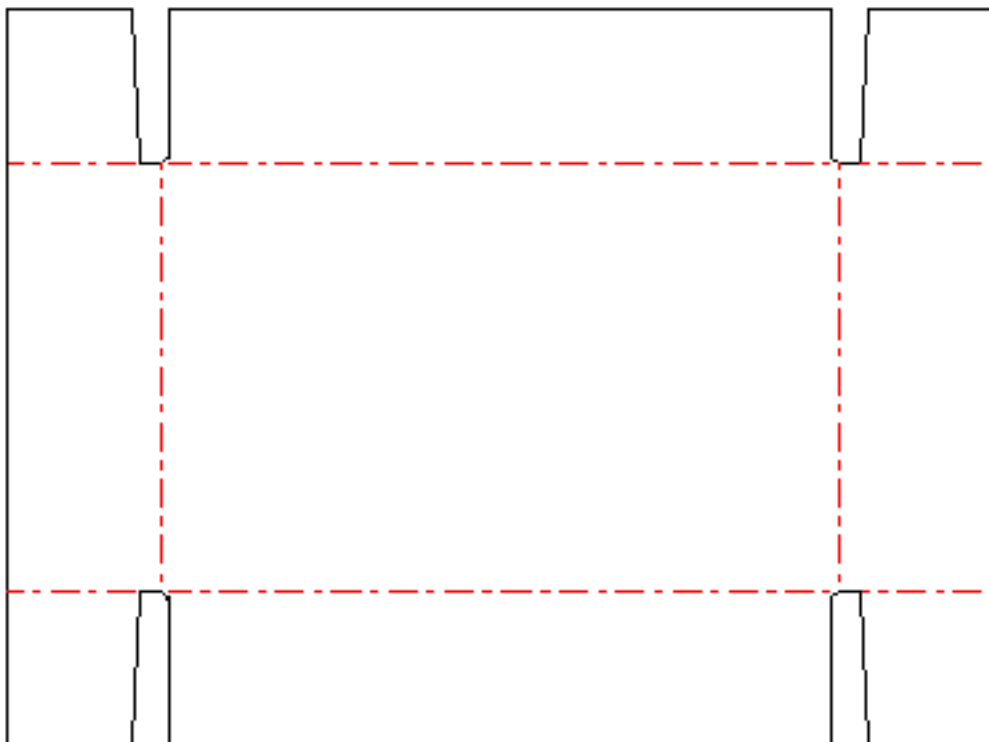
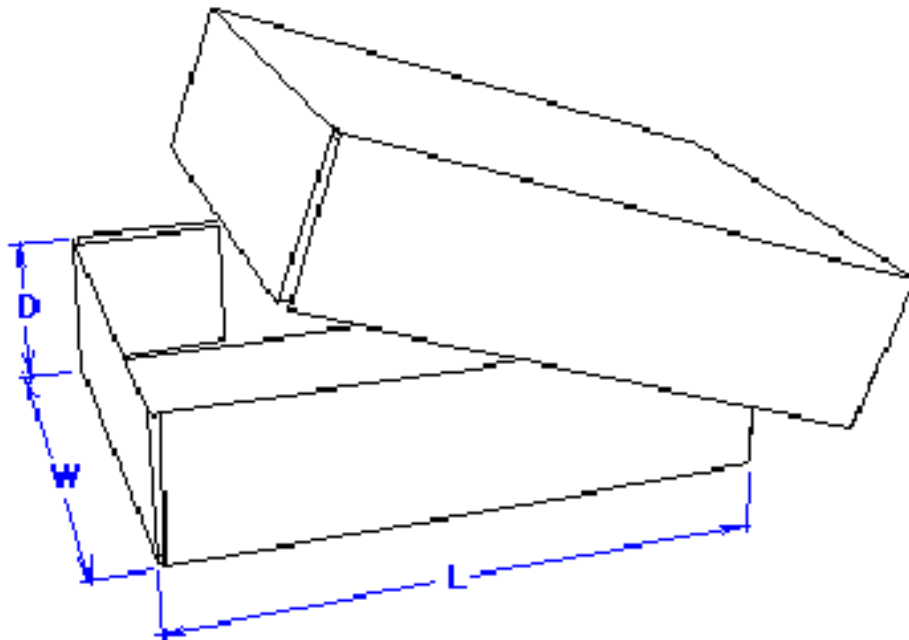
FEFCO Standards - 300 Series

F0300 Base

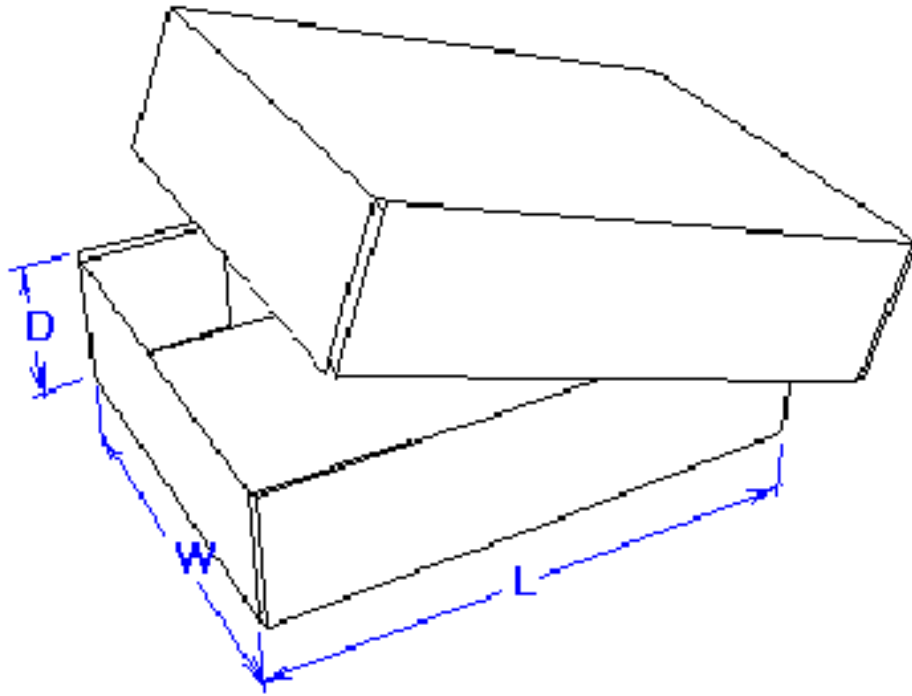


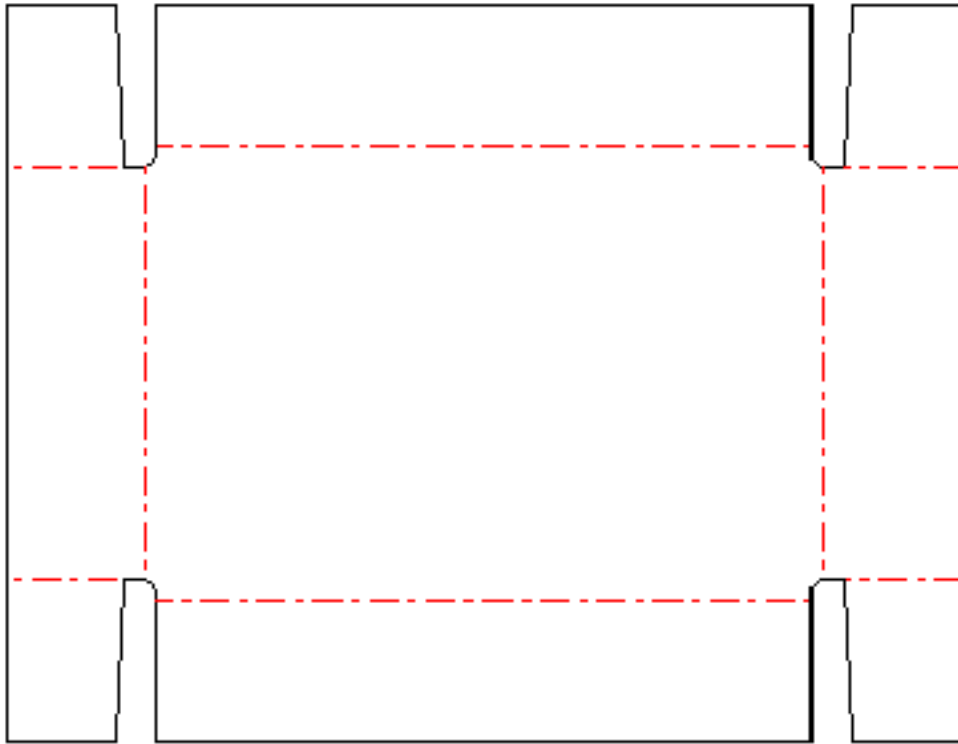


F0300 Lid

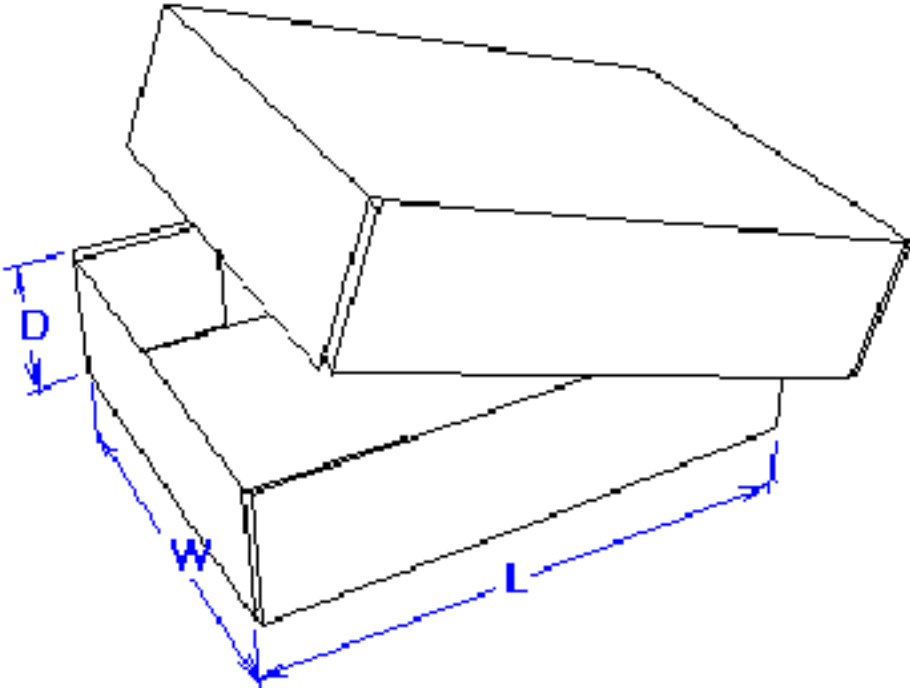


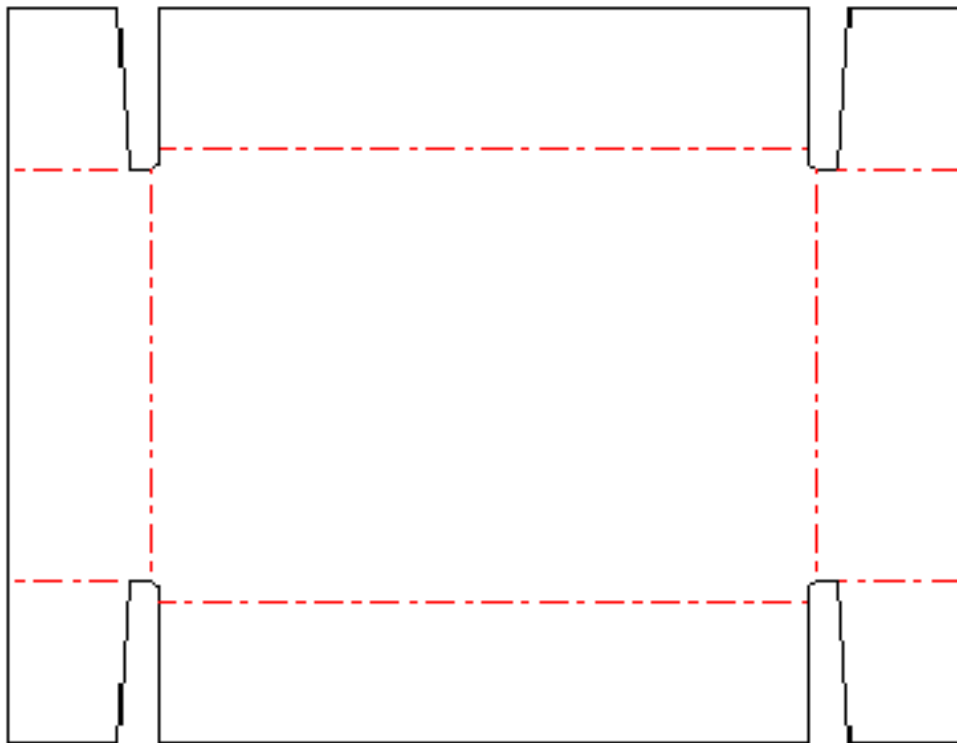
F0301 Base



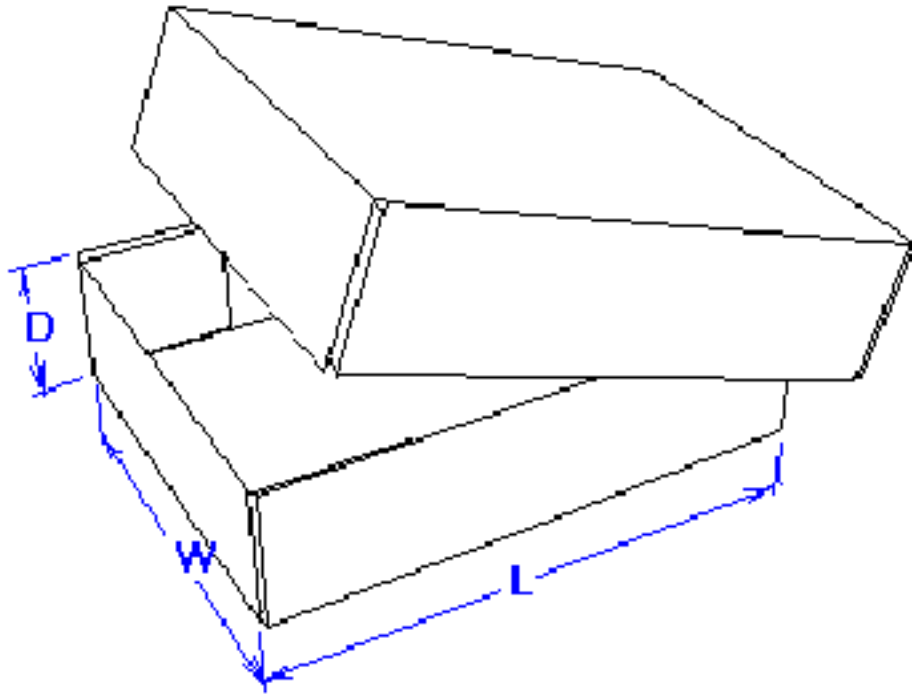


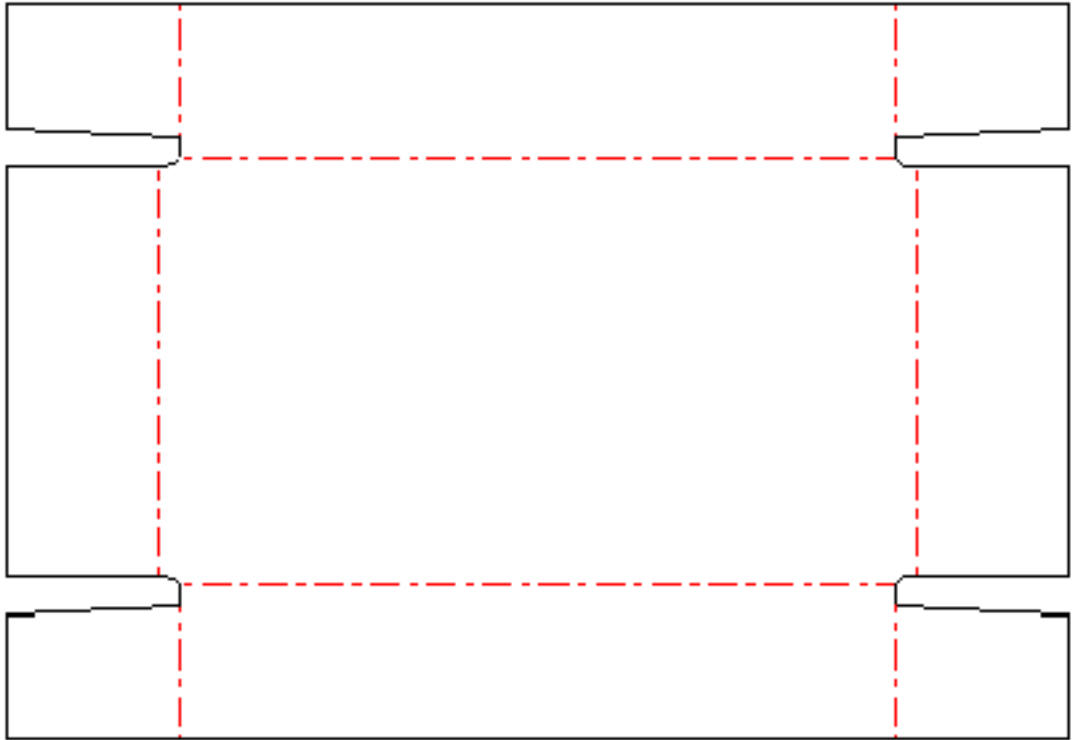
F0301 Base



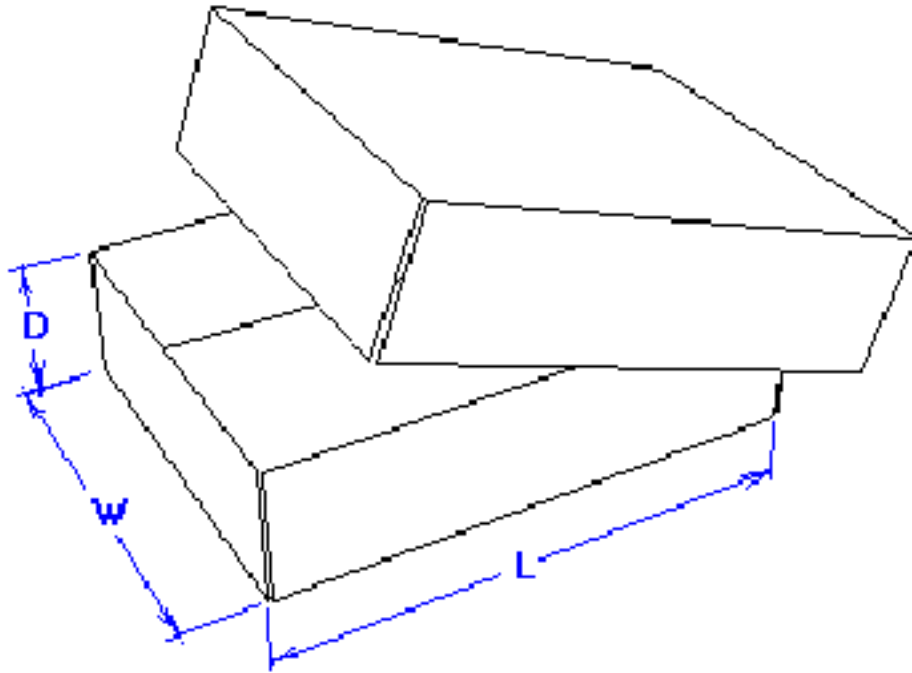


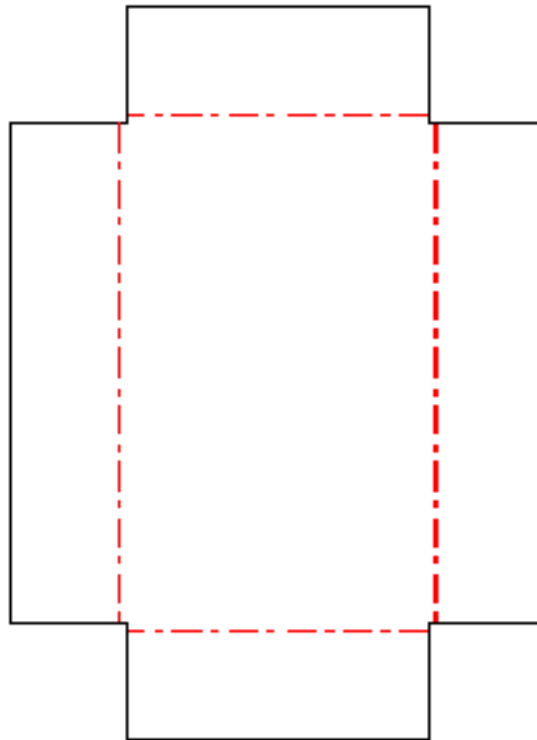
F0301 Lid



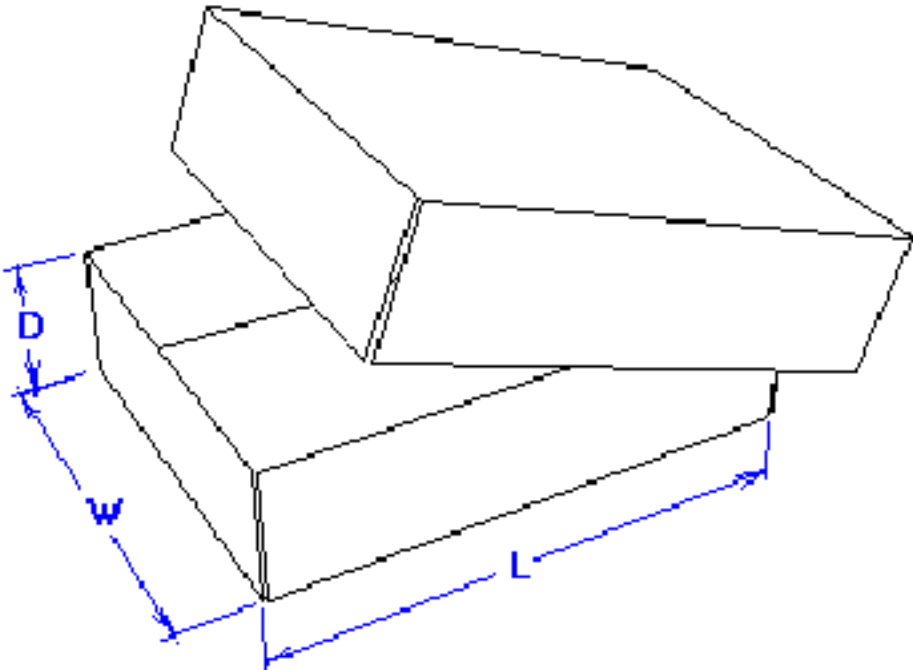


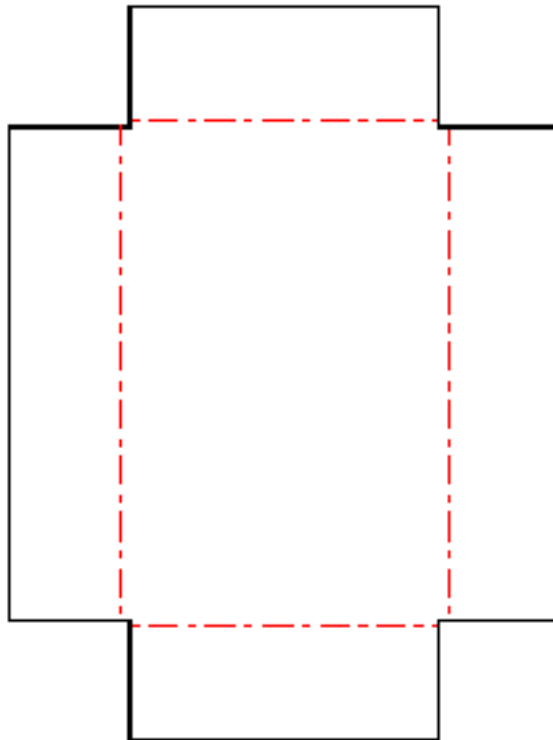
F0302 Base



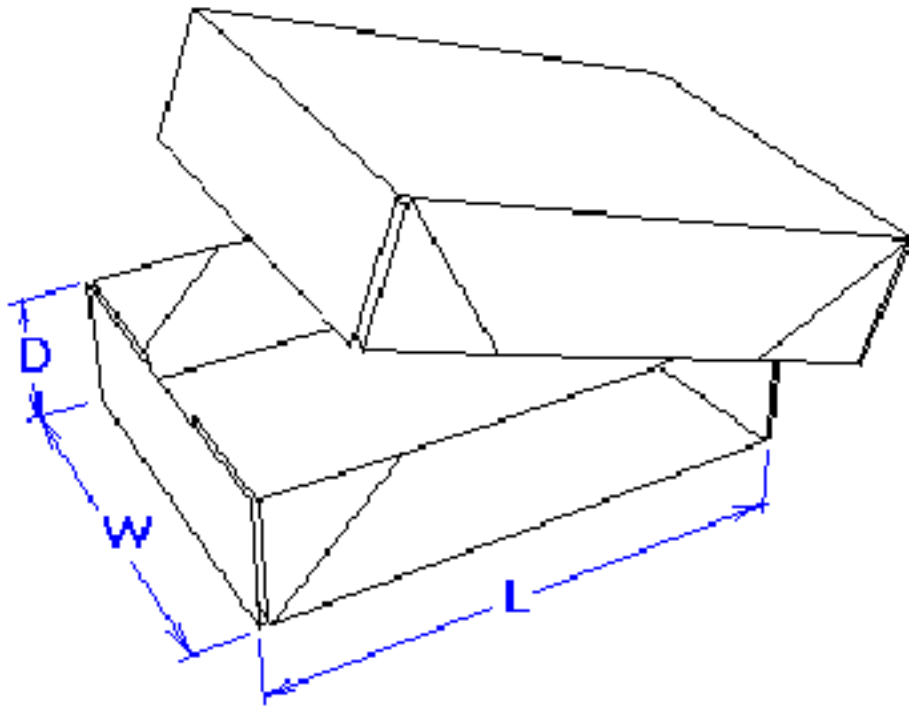


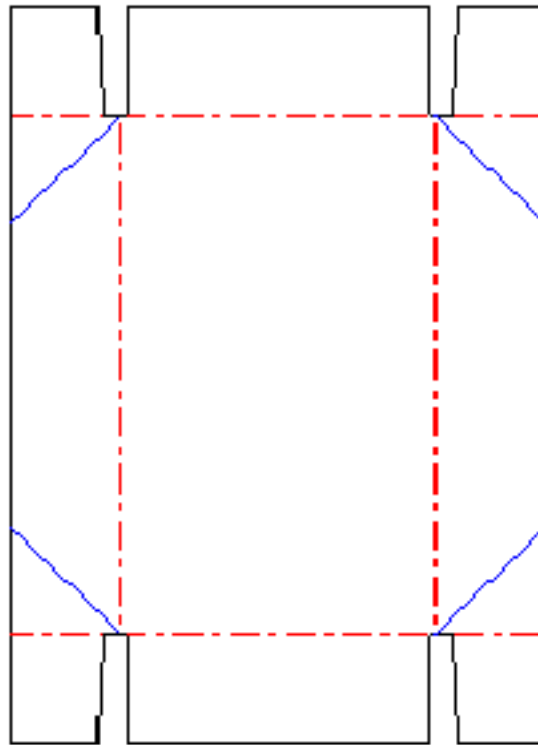
F0302 Lid



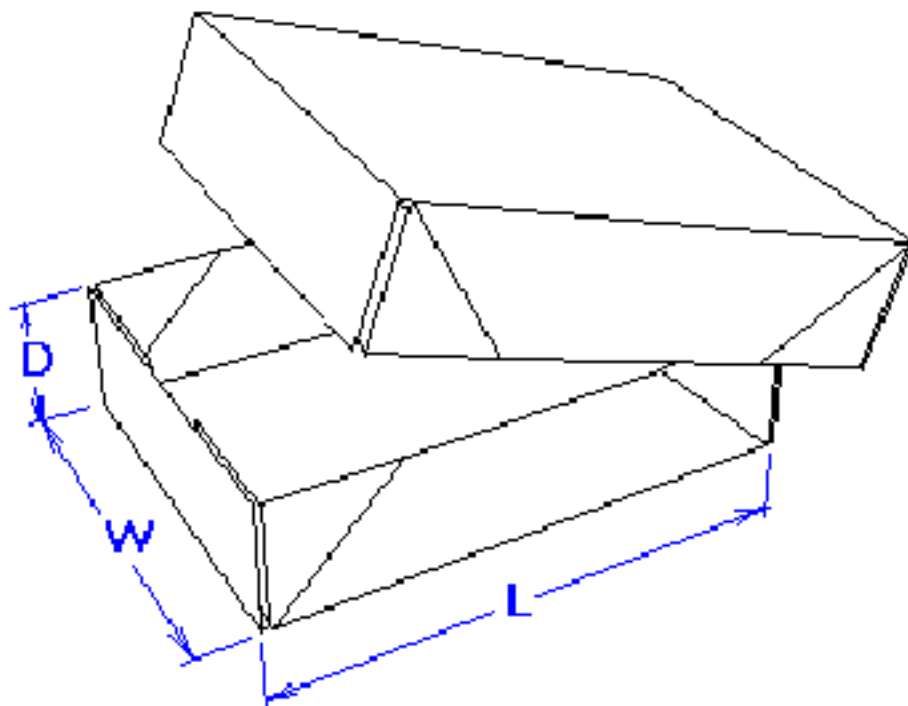


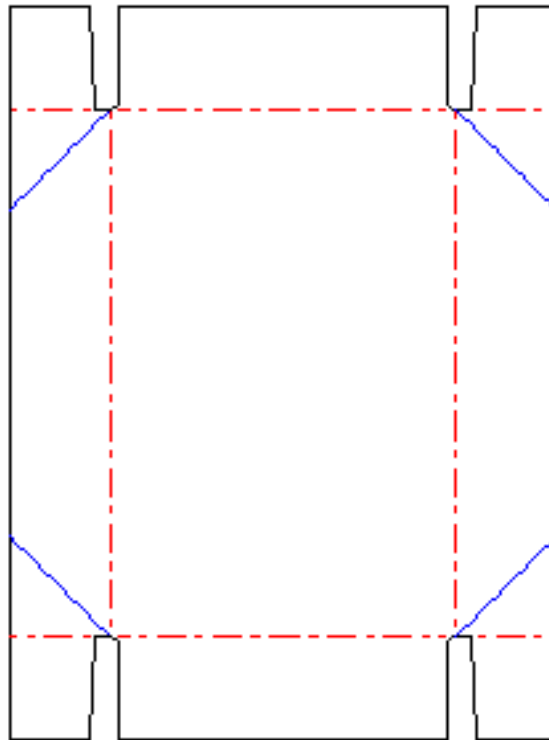
F0303 Base



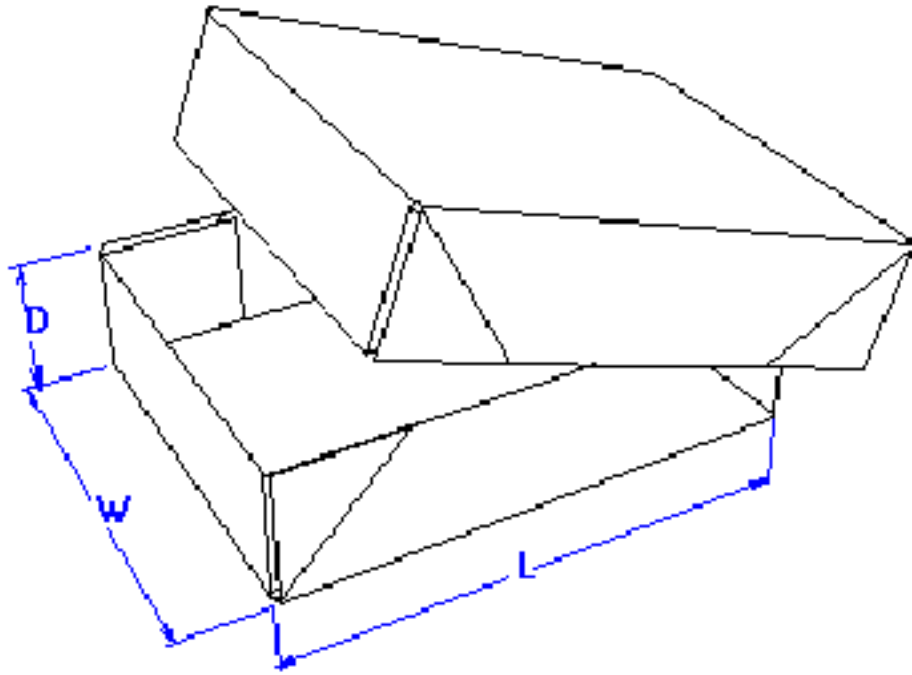


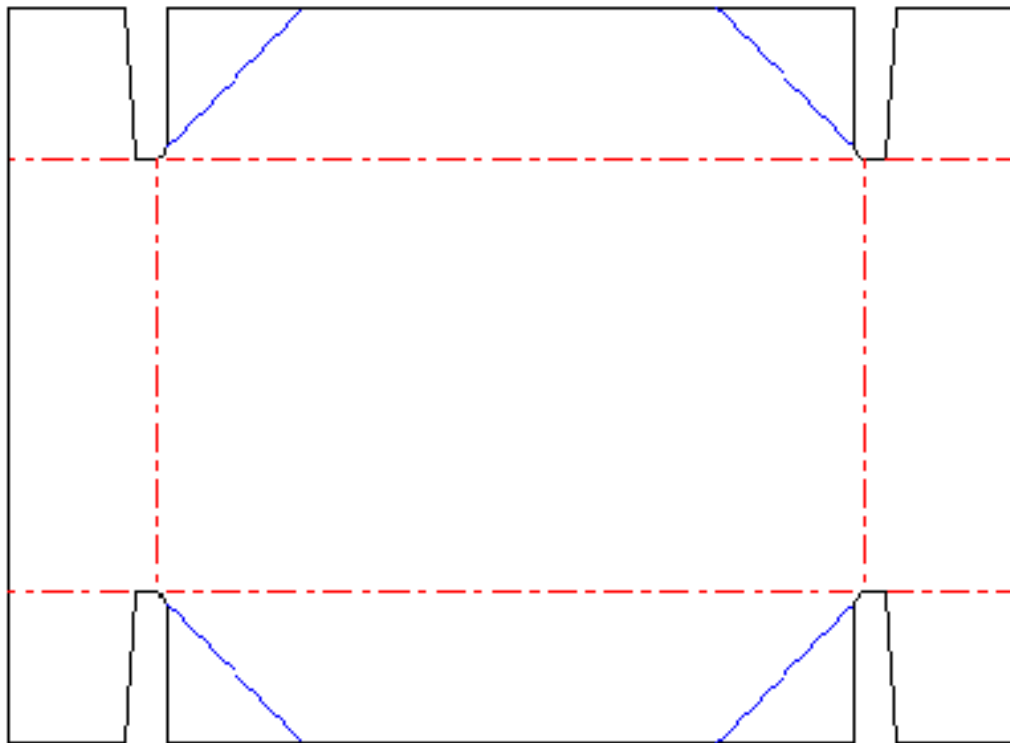
F0303 Lid



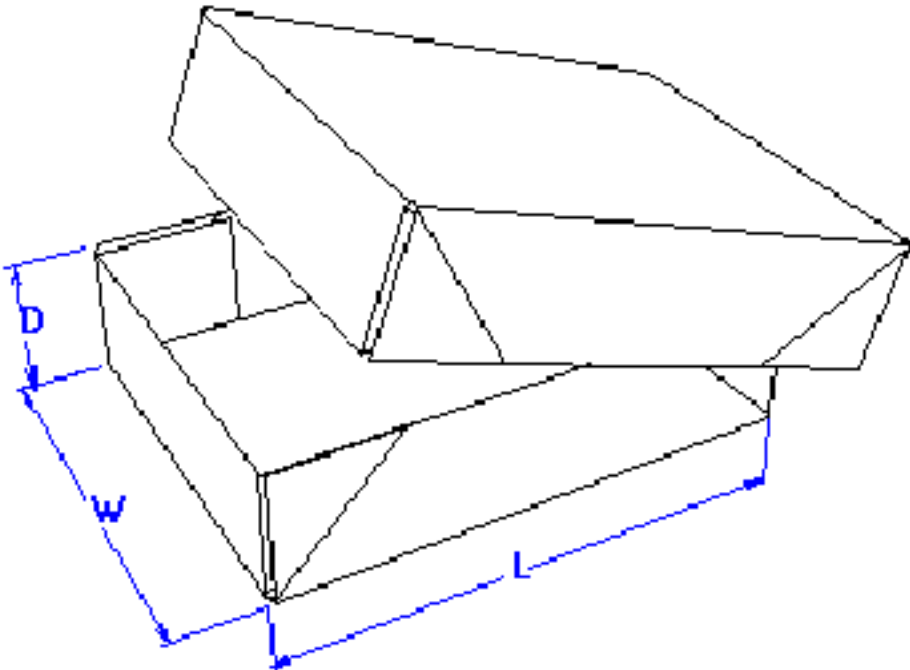


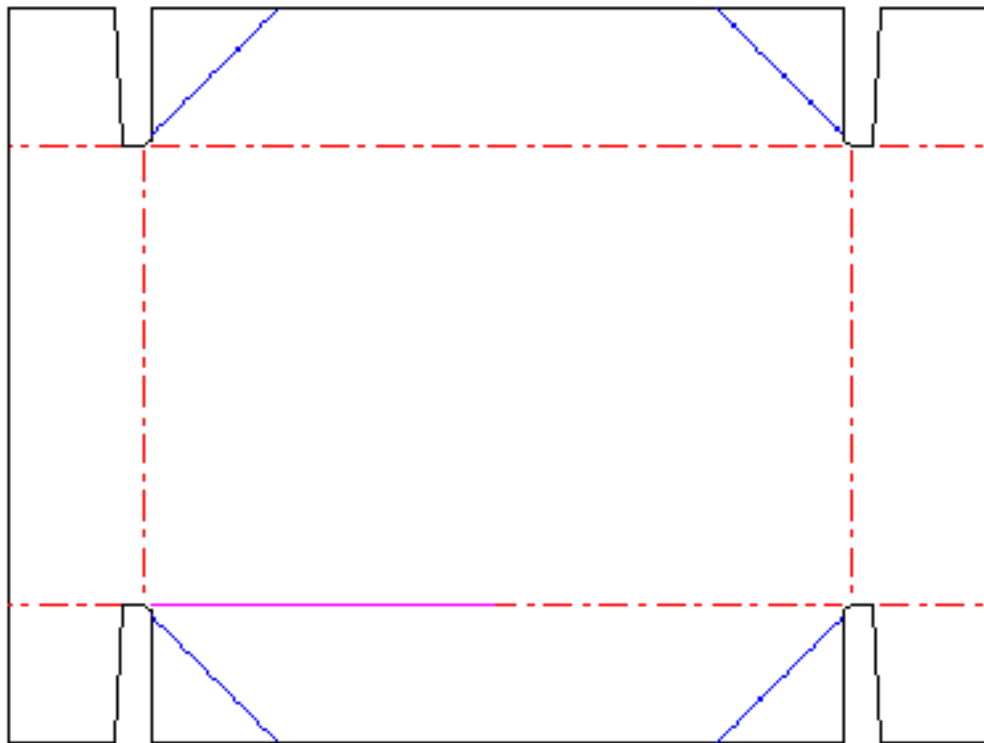
F0304 Base



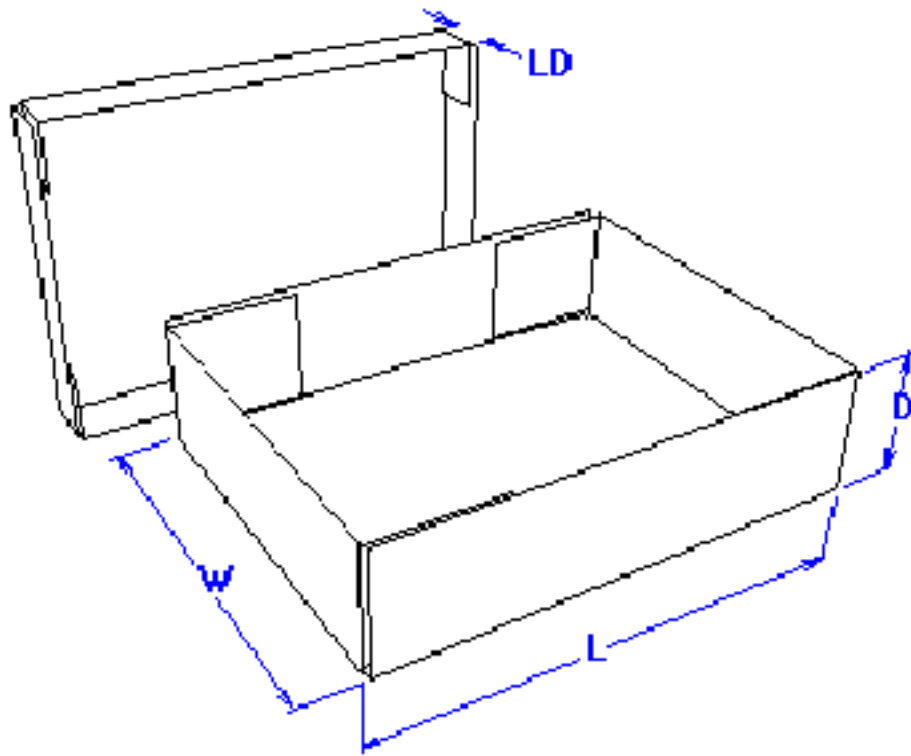


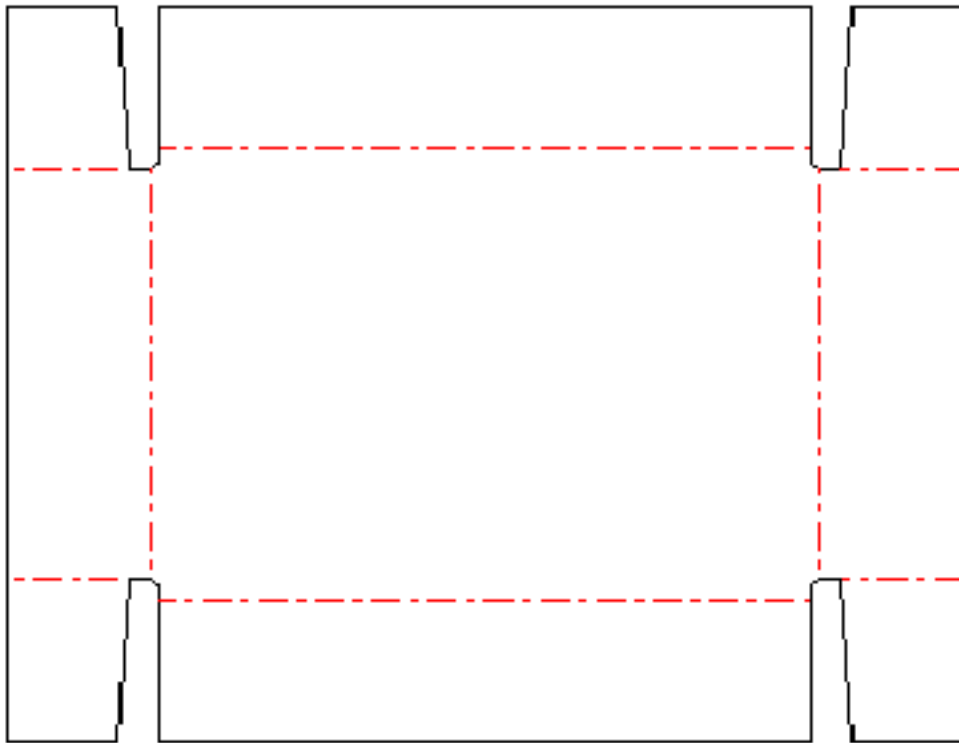
F0304 Lid



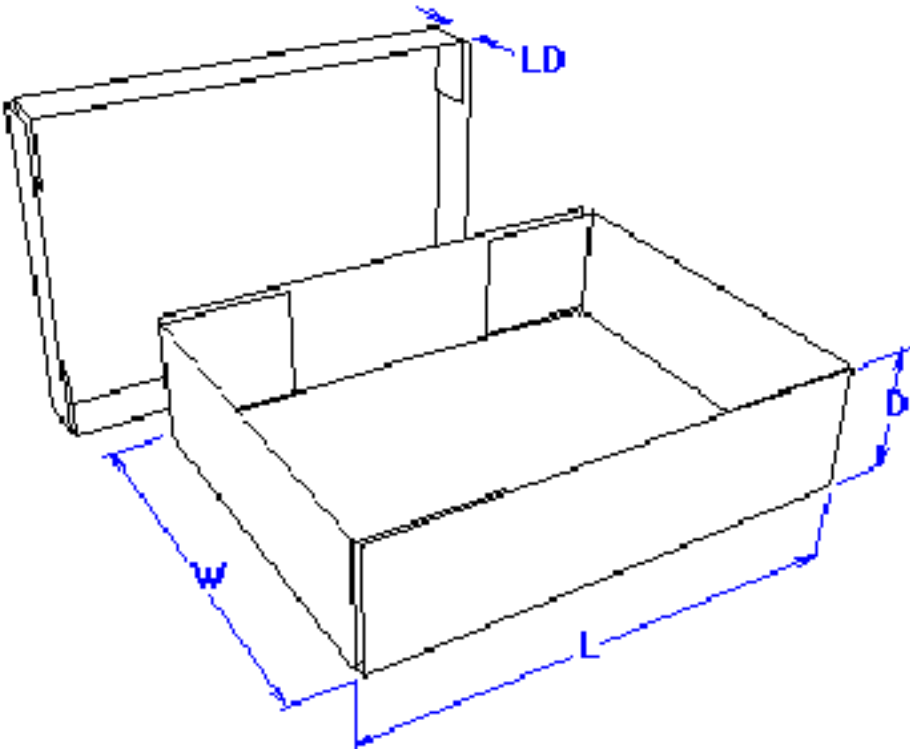


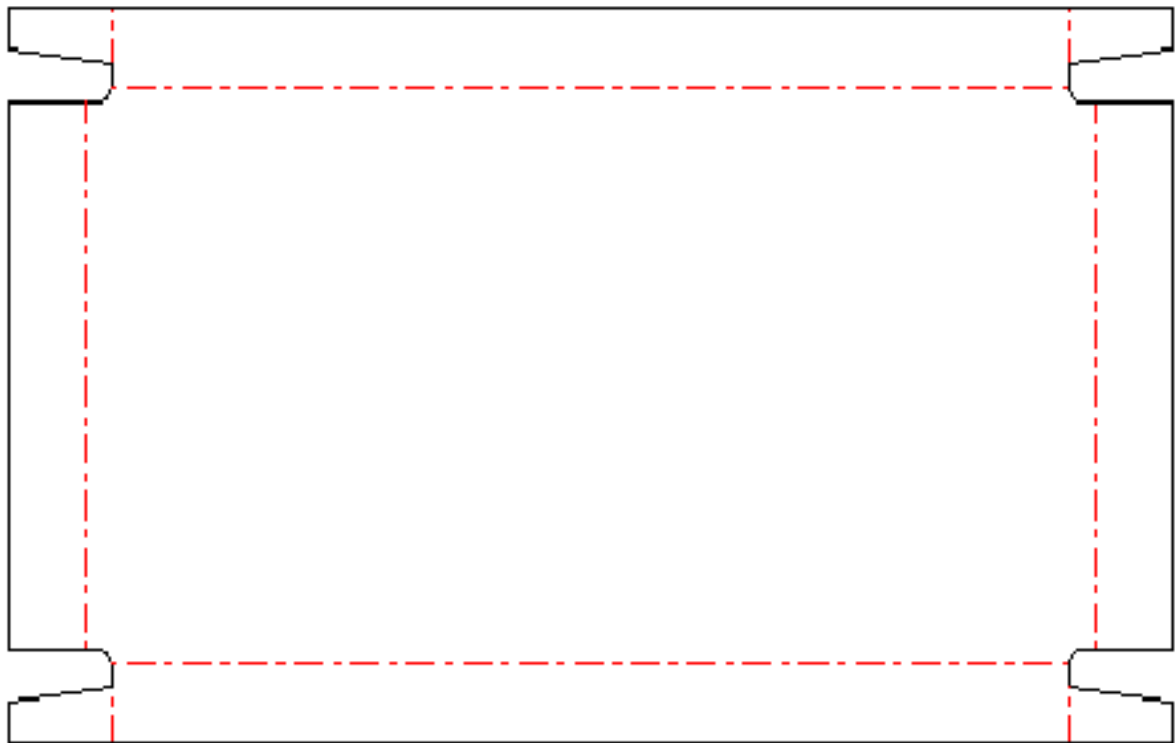
F0306 Base



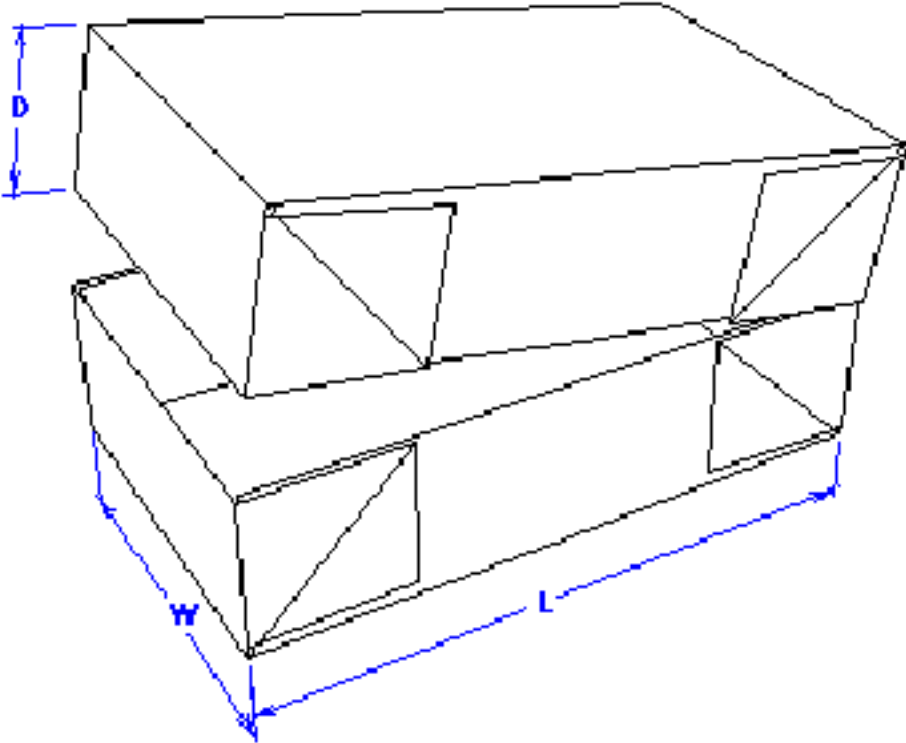


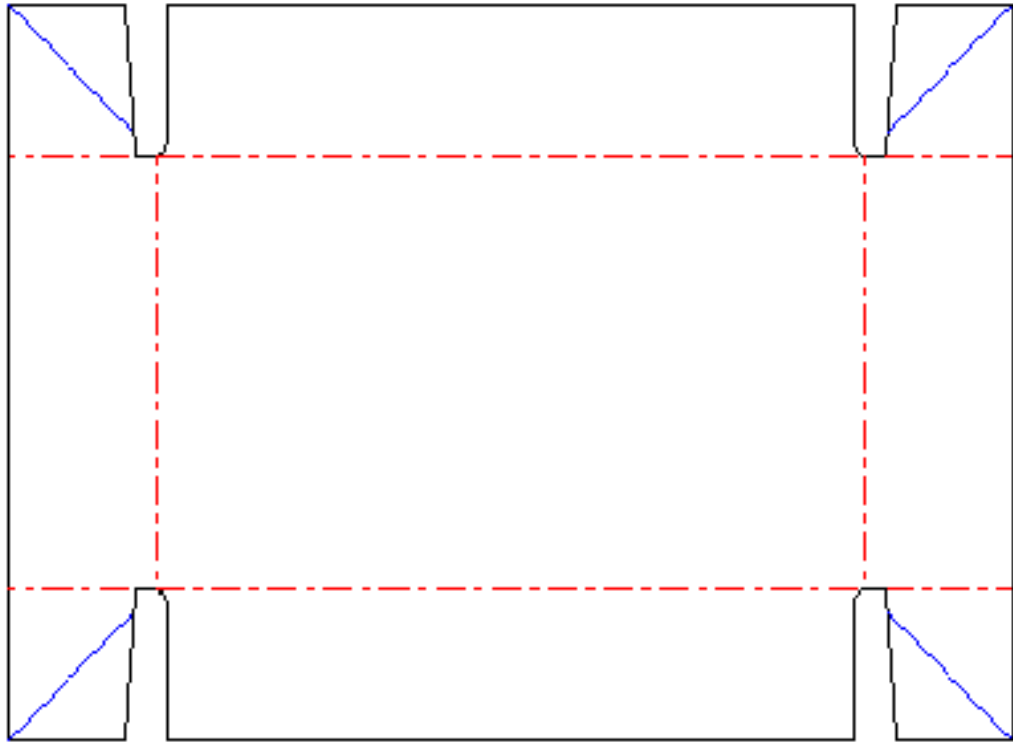
F0306 Lid



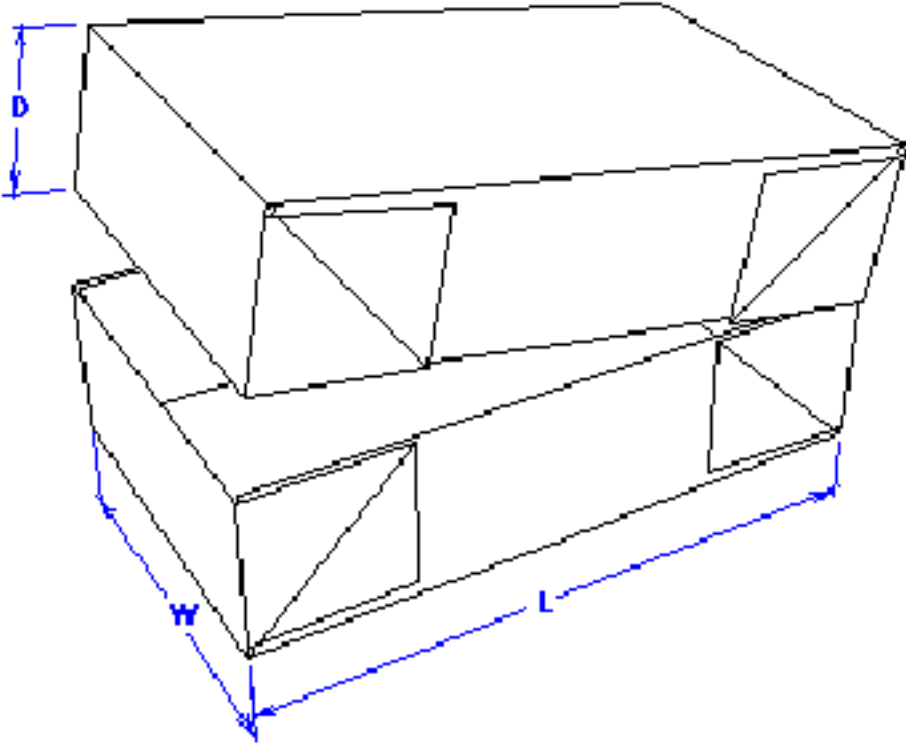


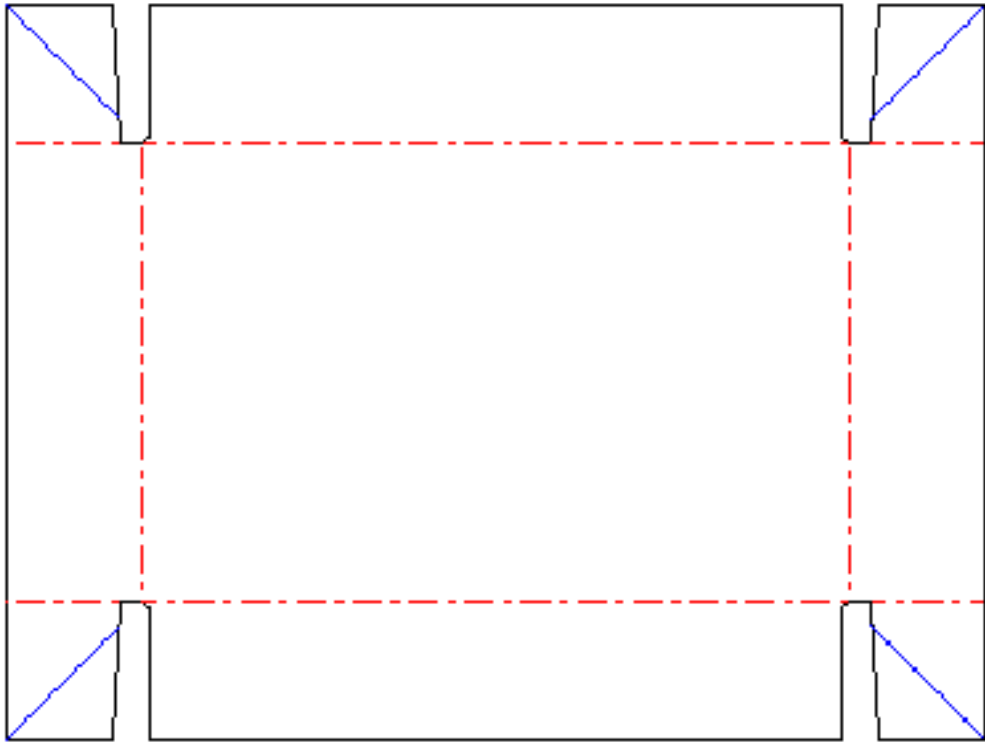
F0308 Base



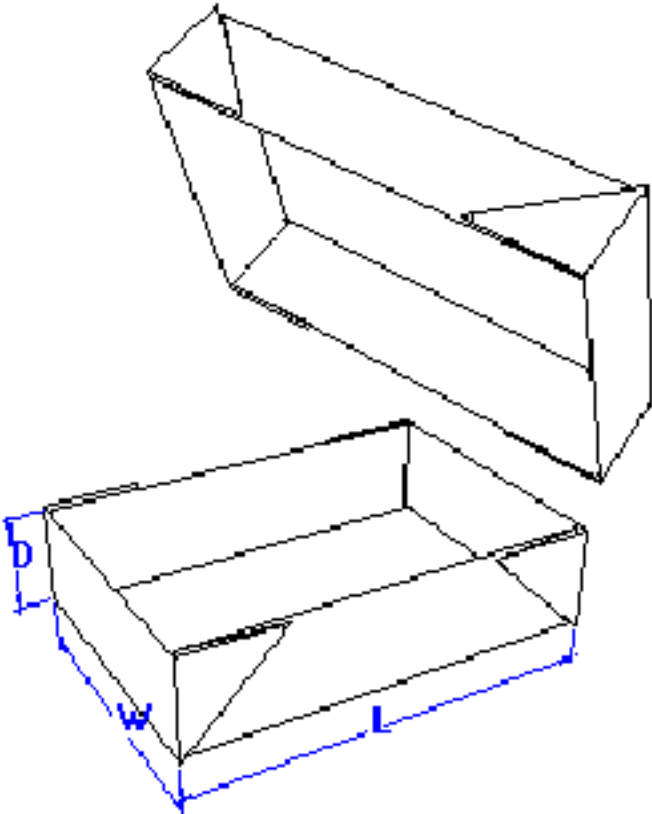


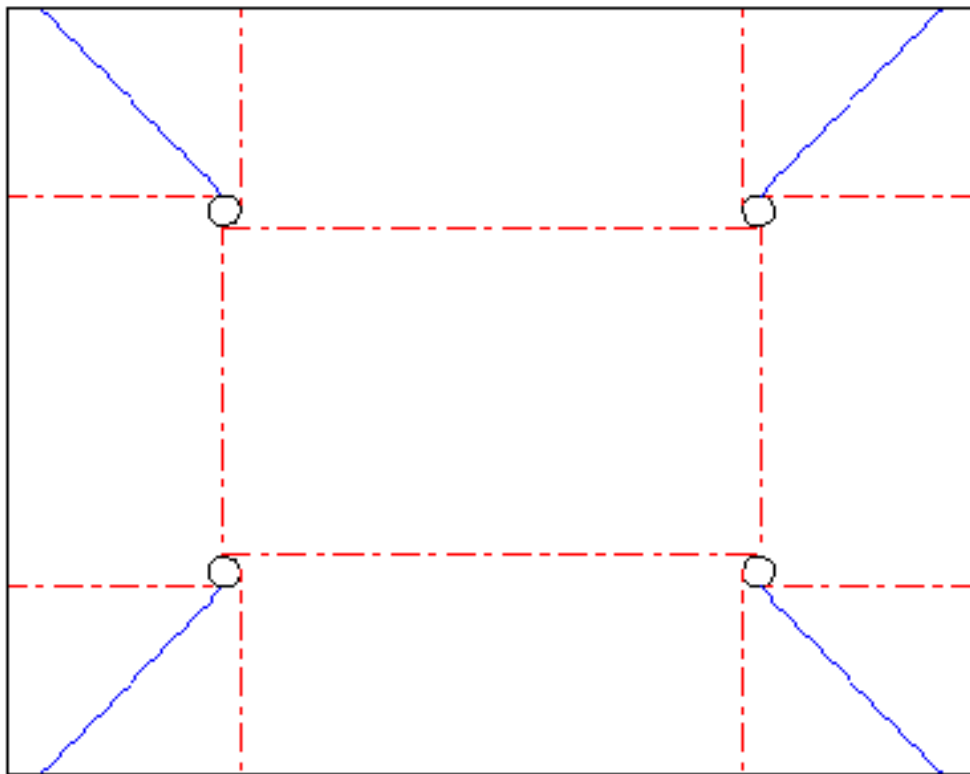
F0308 Lid



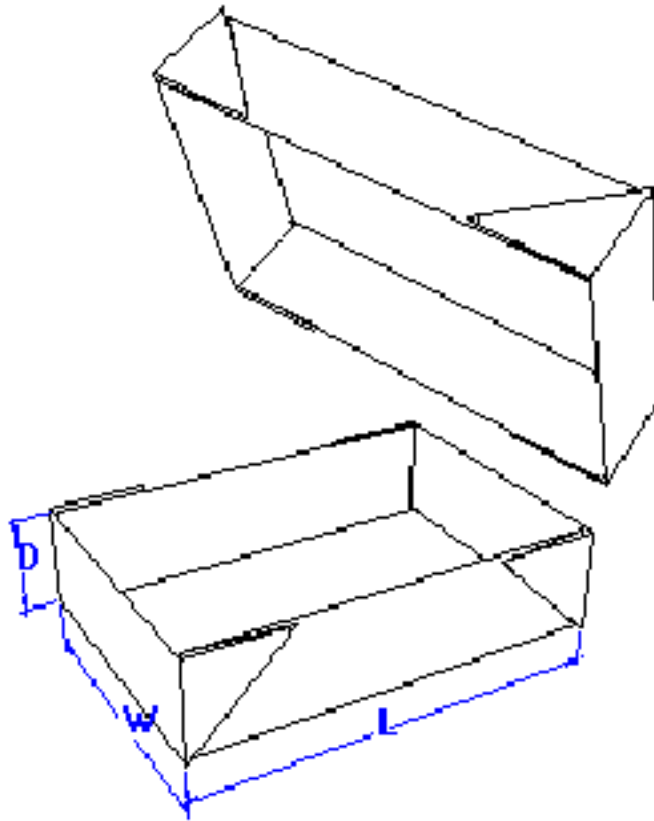


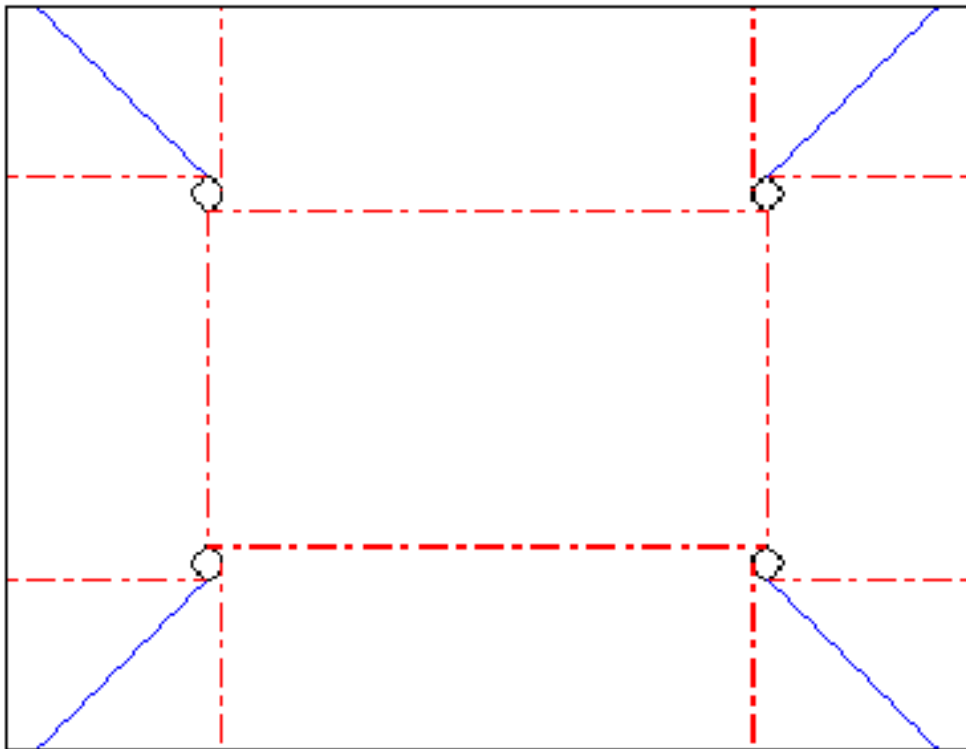
F0309 Base



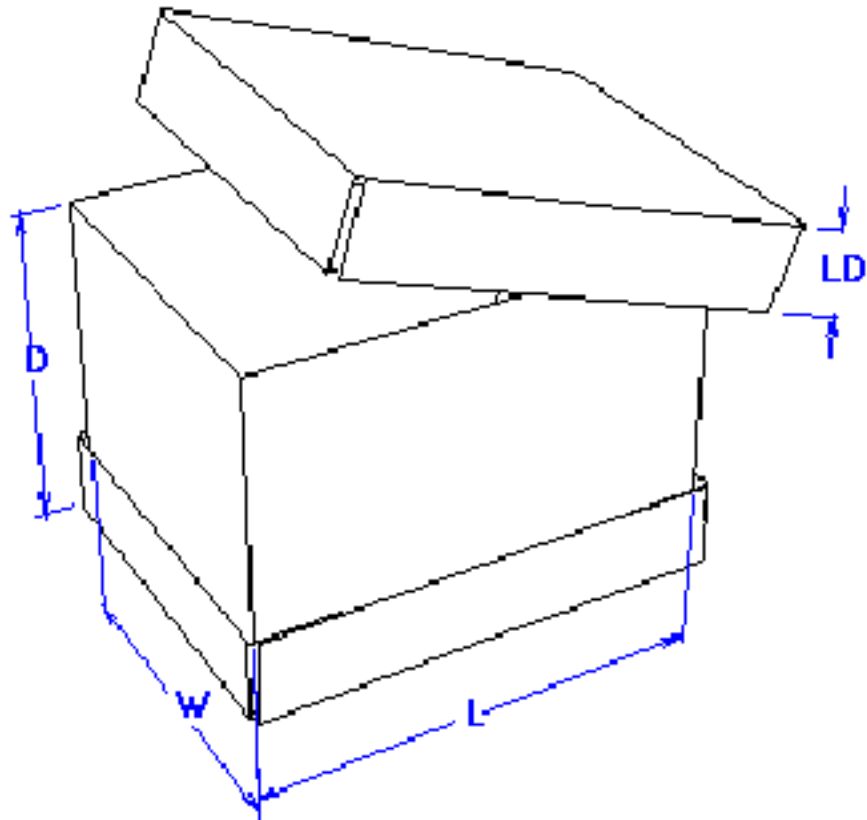


F0309 Lid



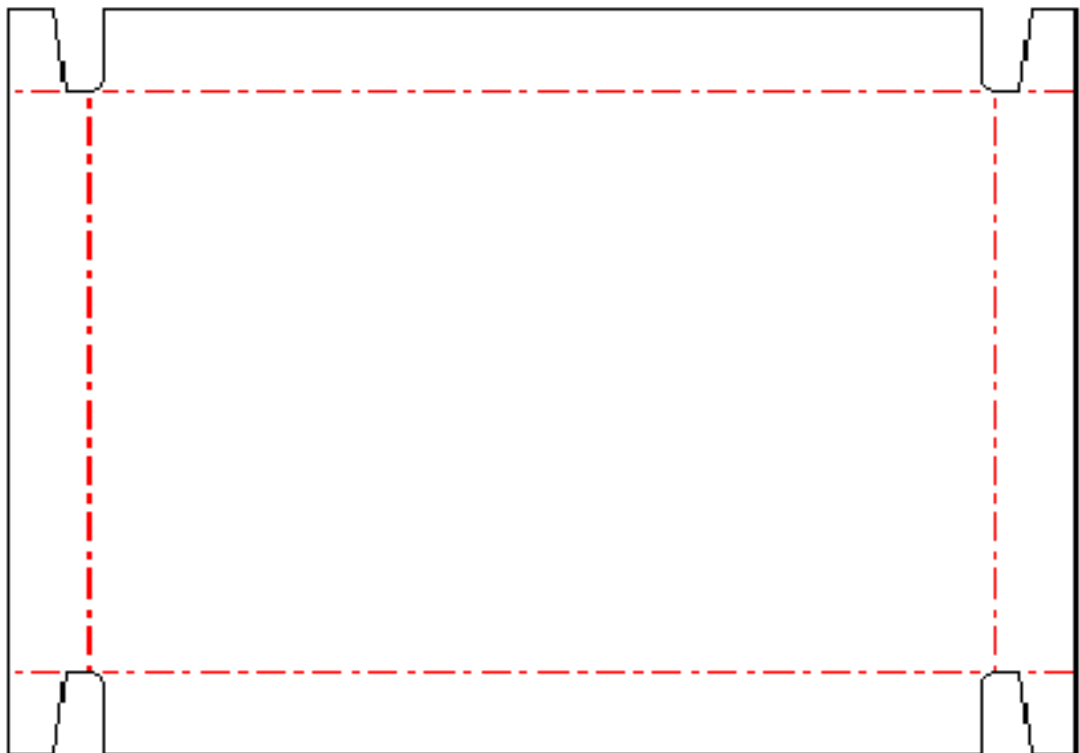
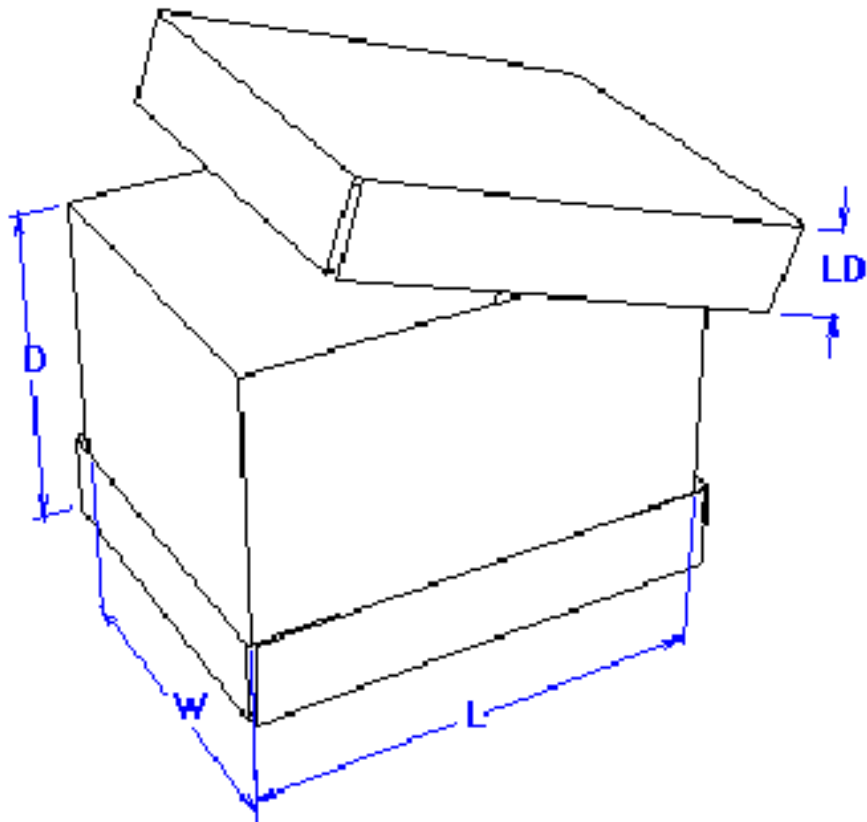


F0310 Body

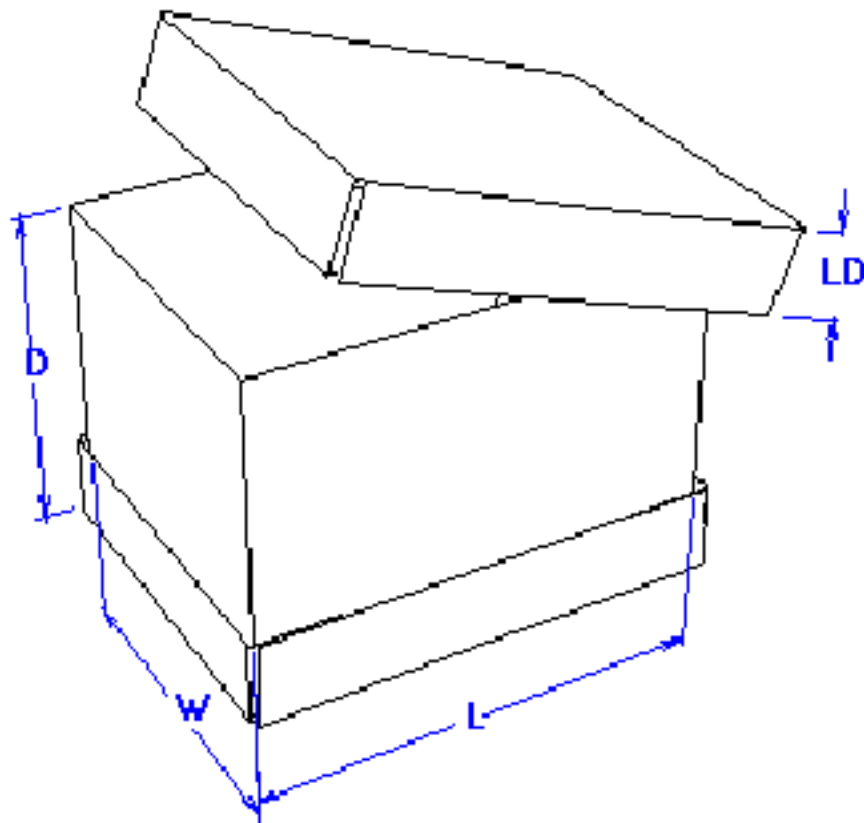




F0310 Cover

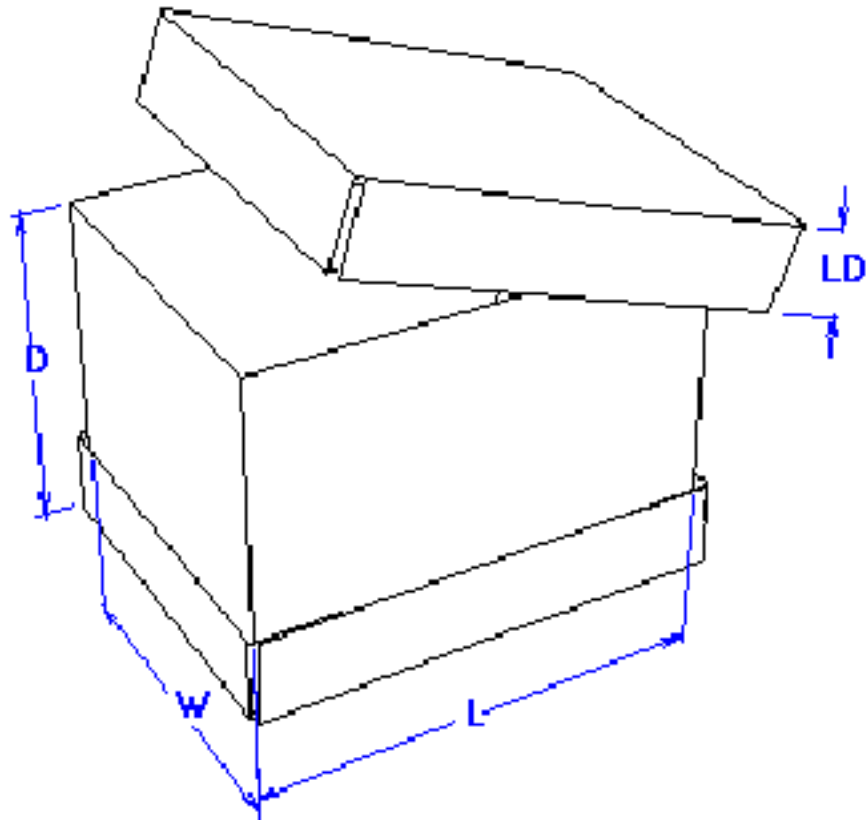


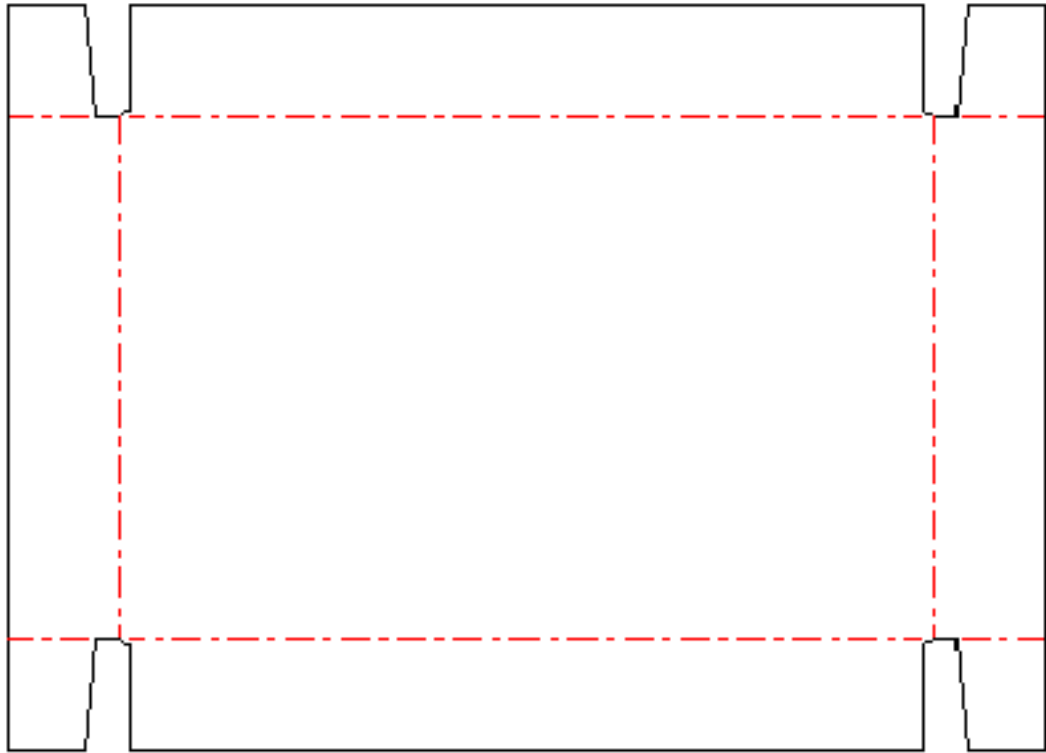
F0311 Body



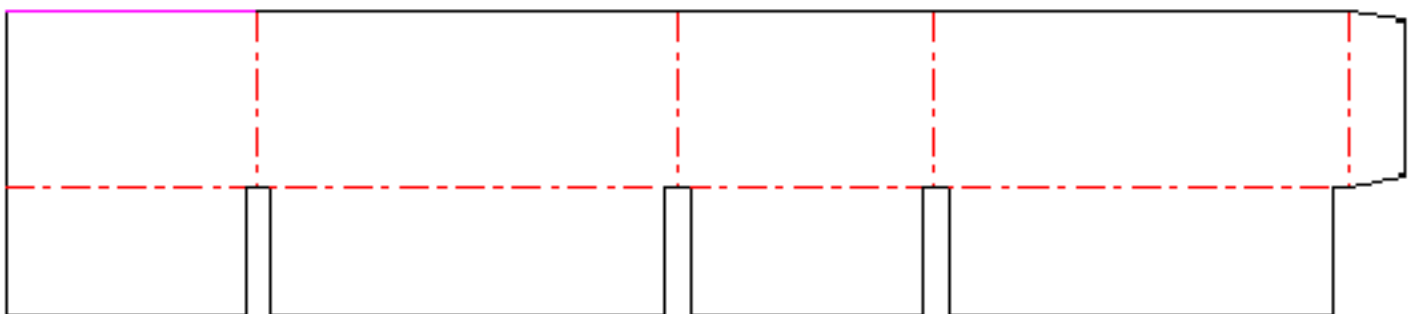
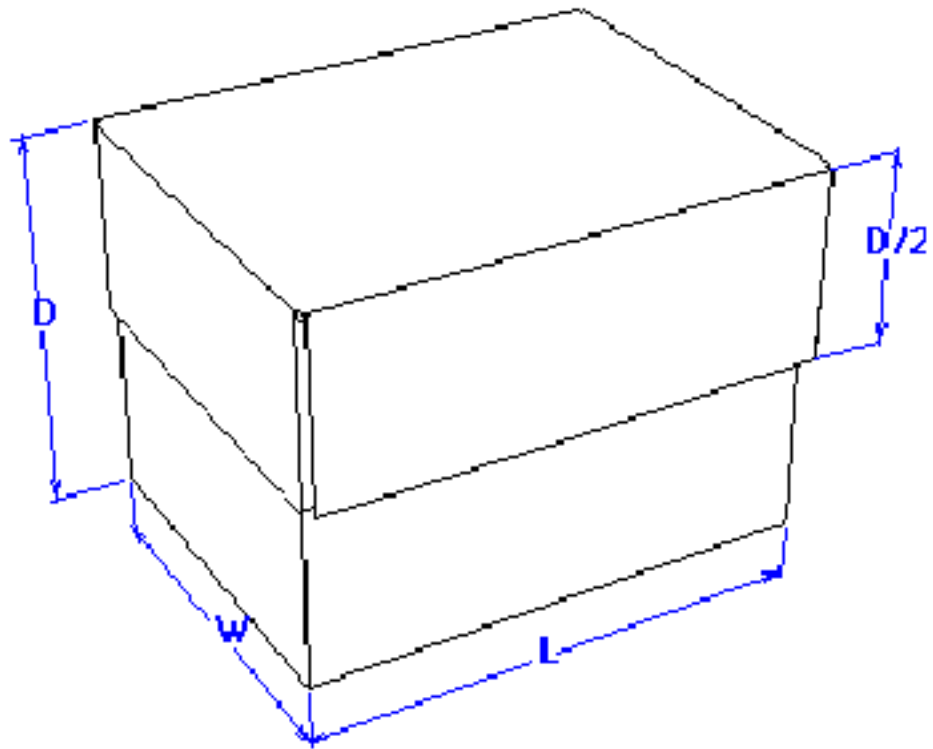


F0311 Cover

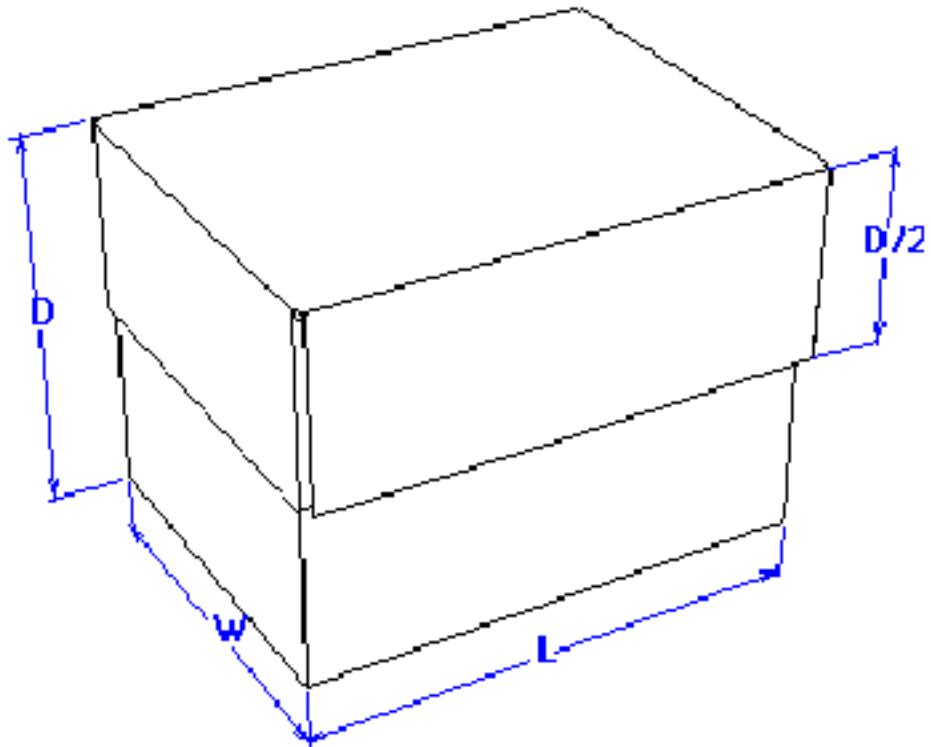


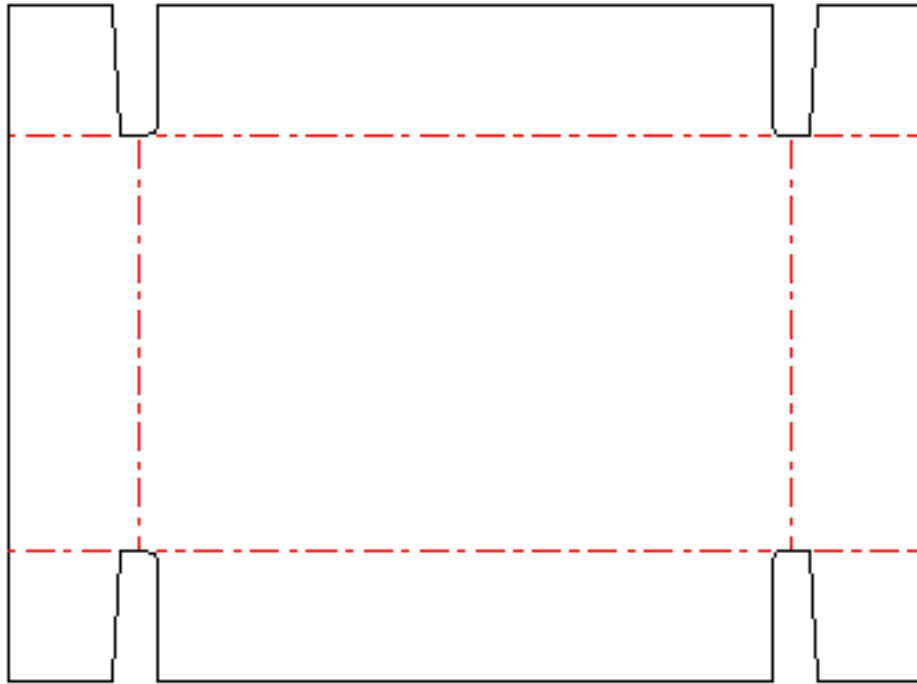


F0312 Body

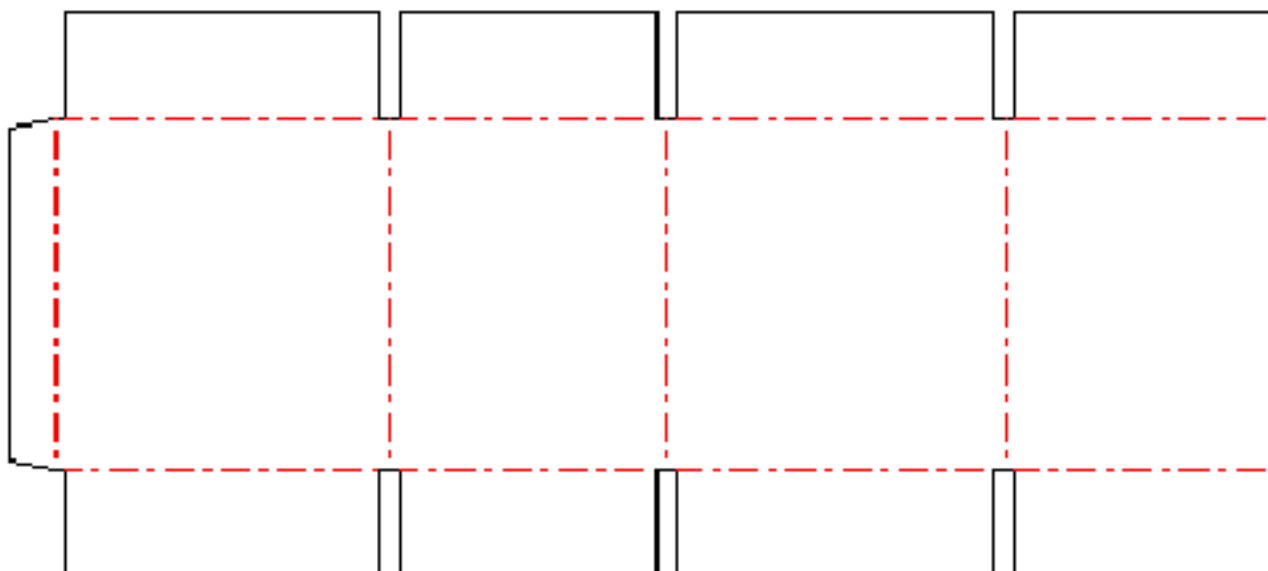
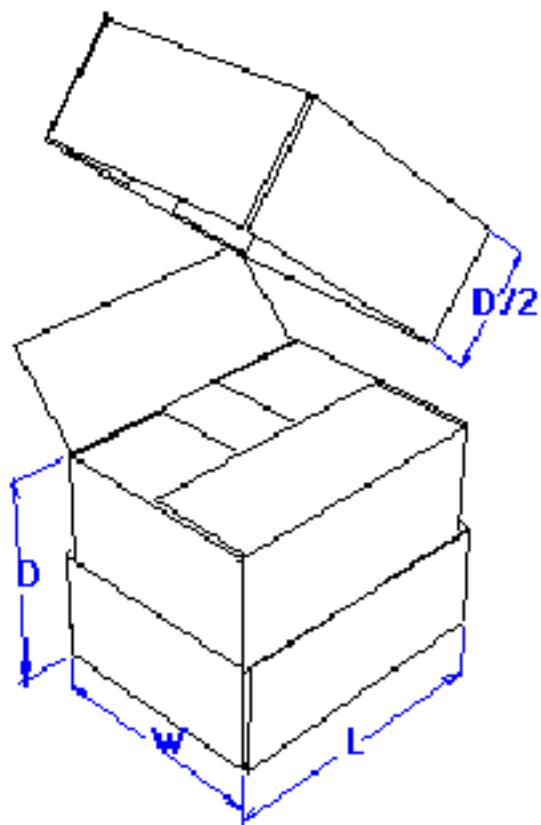


F0312 Cover

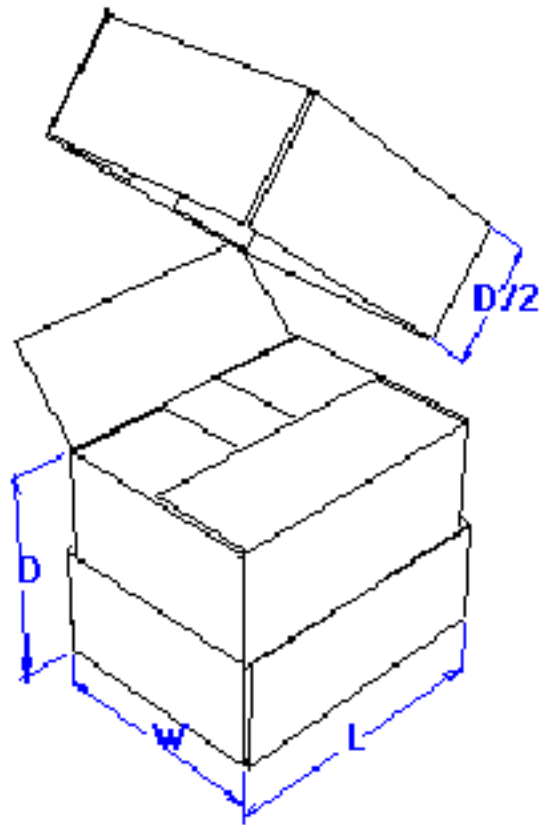


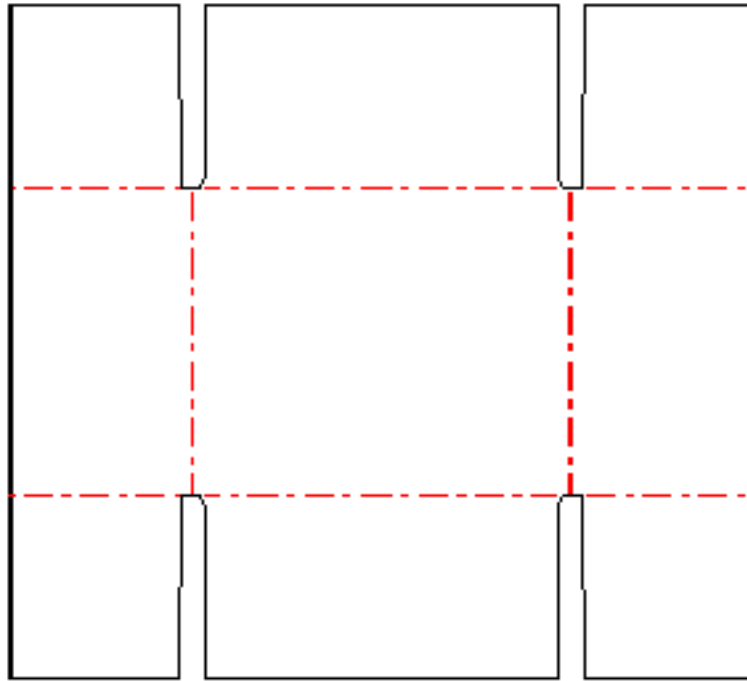


F0313 Body

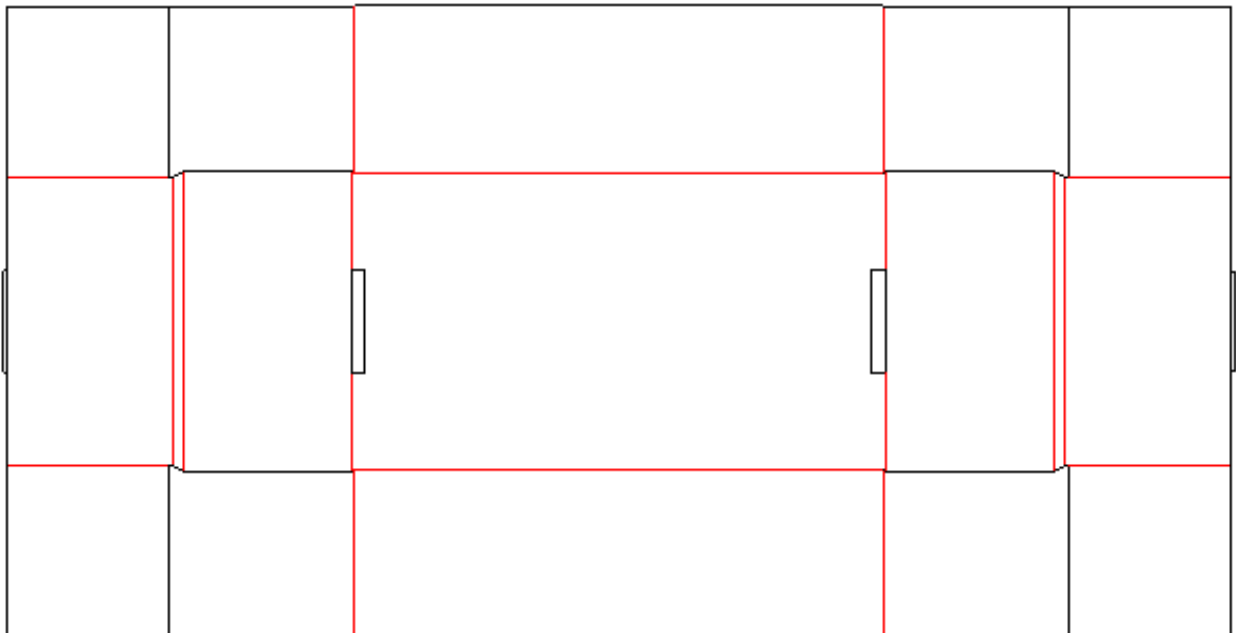
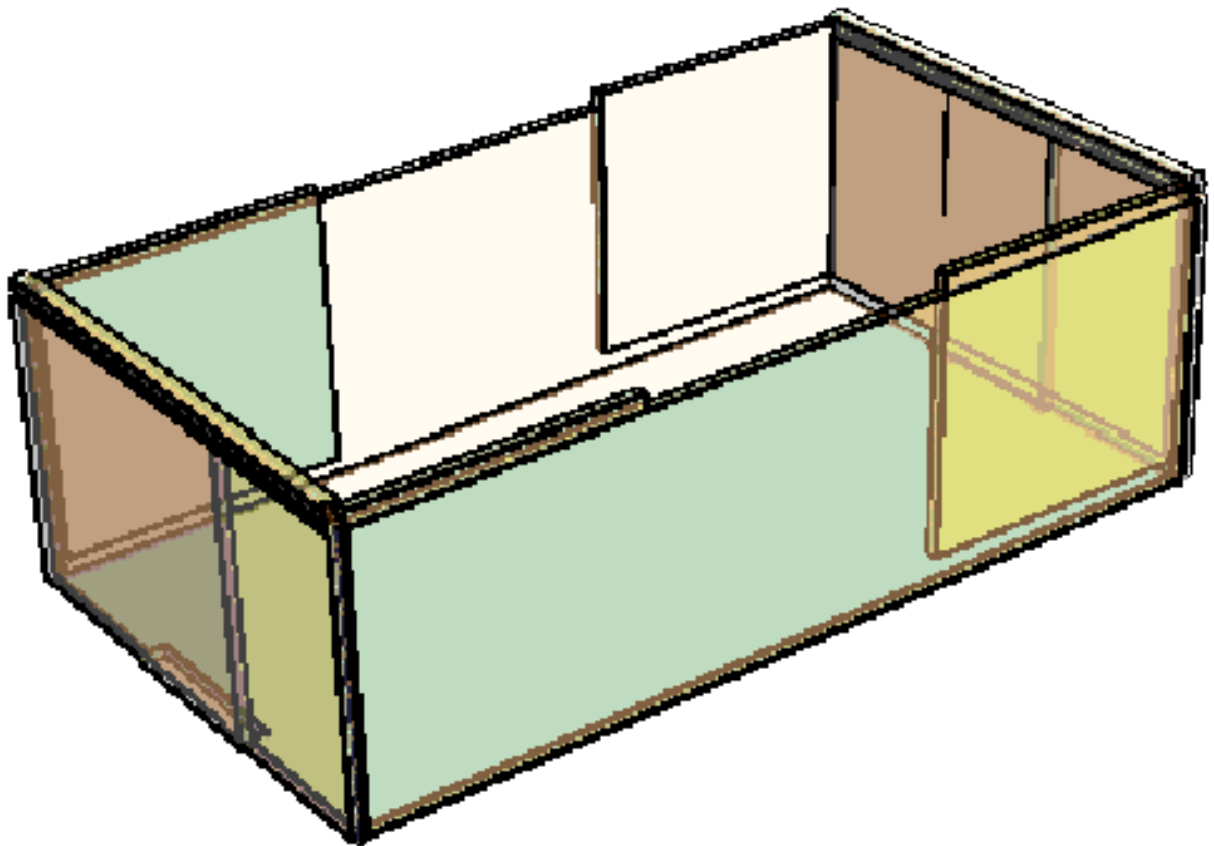


F0313 Cover

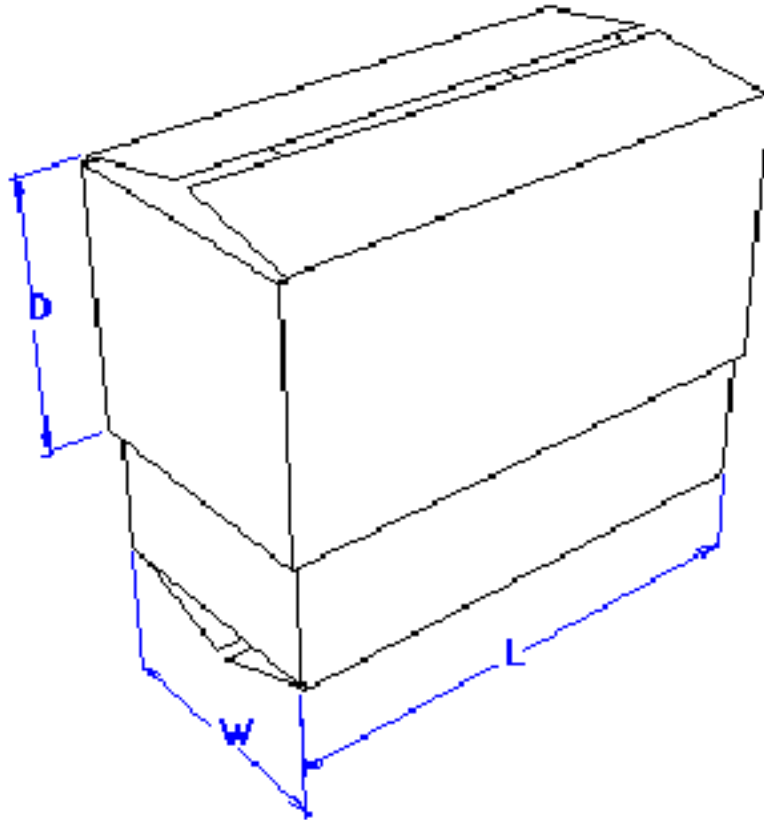


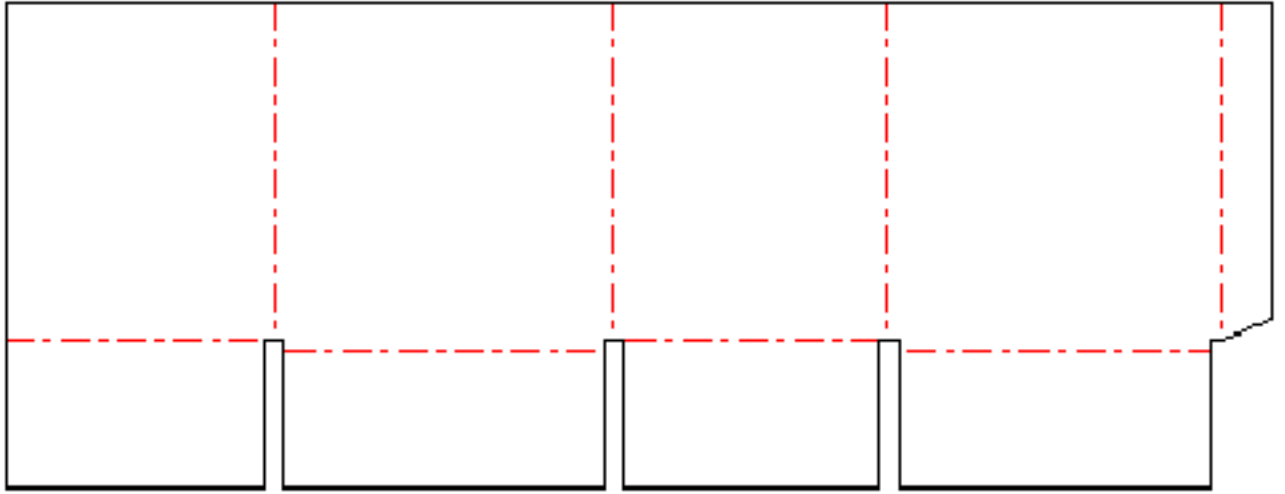


F0314a

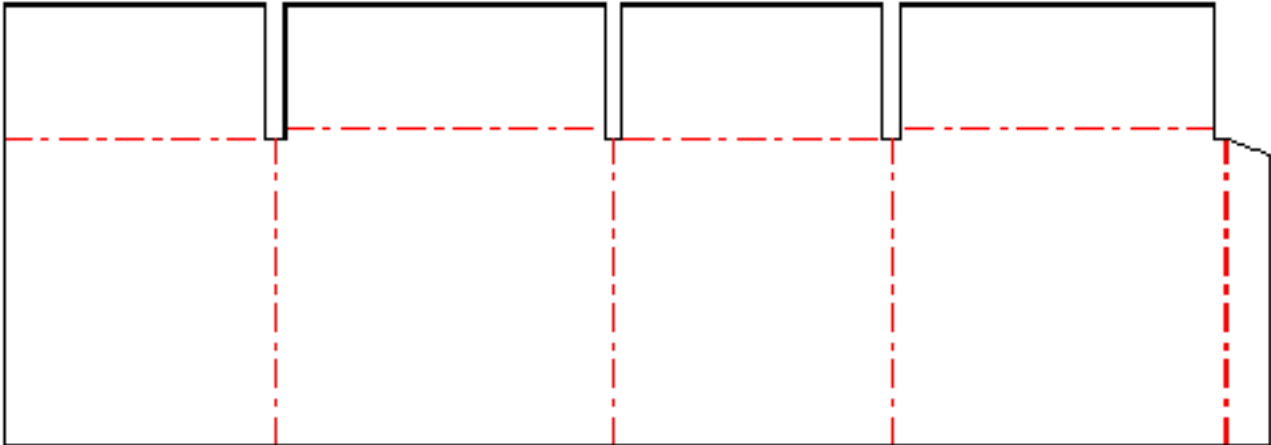
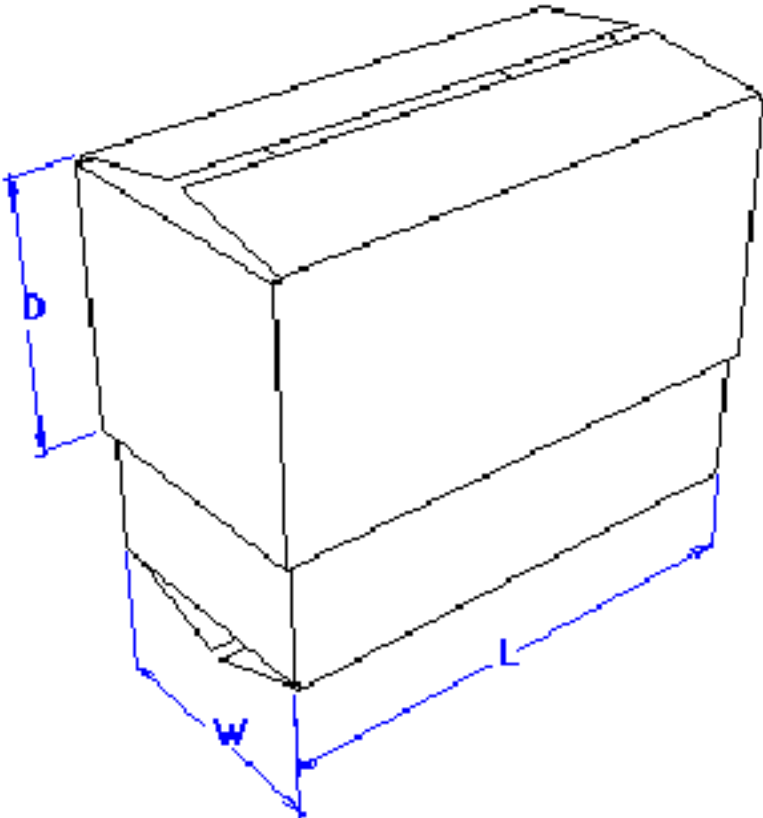


F0320 Body

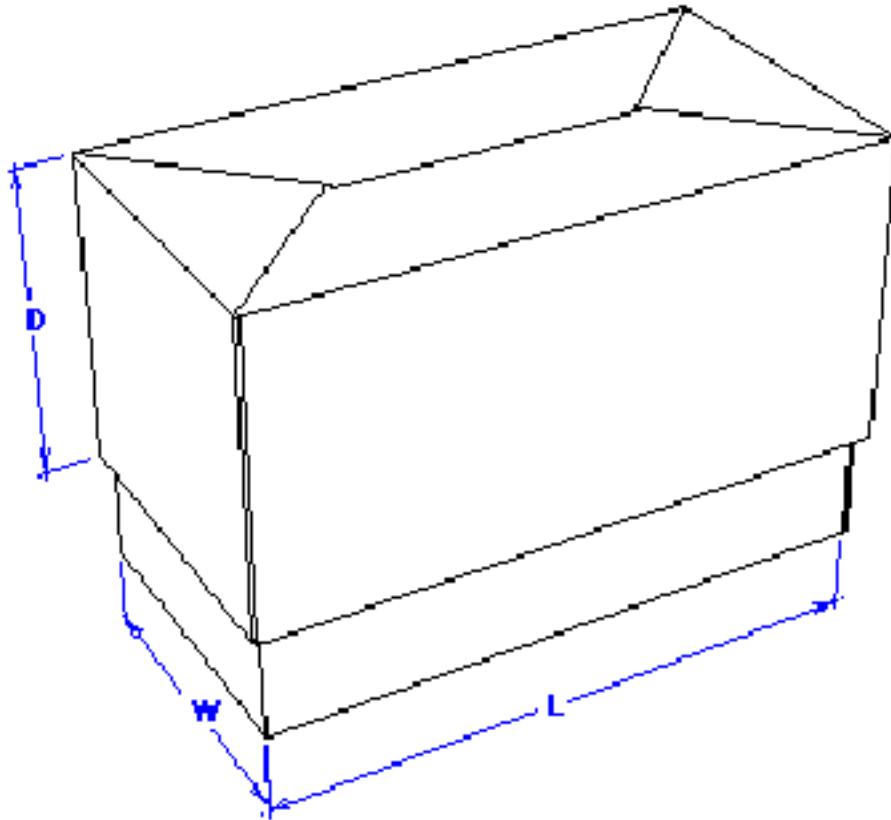


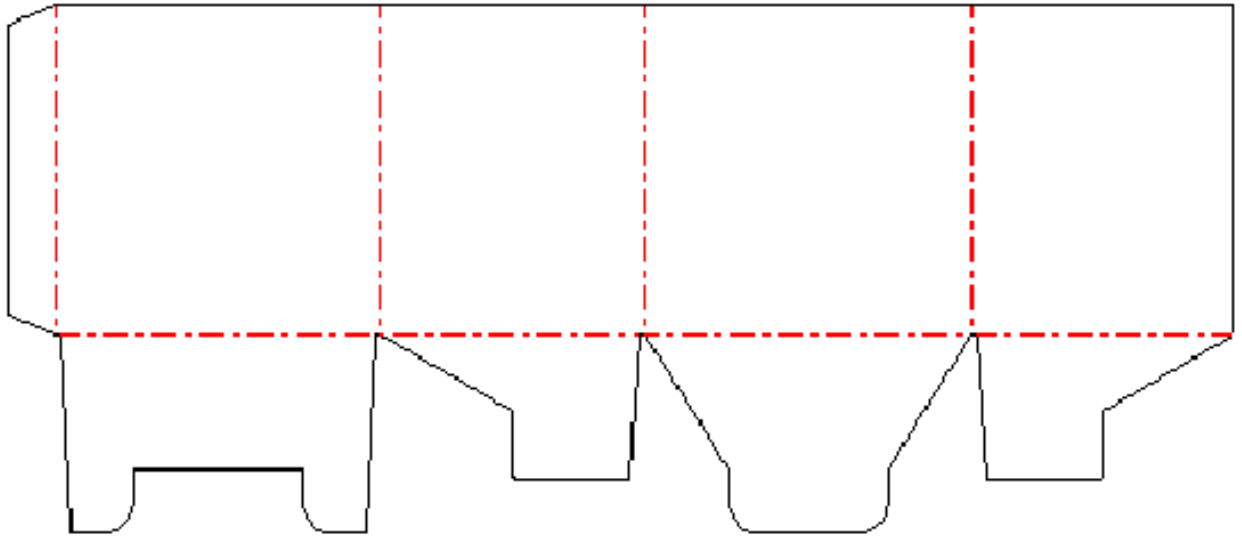


F0320 Cover

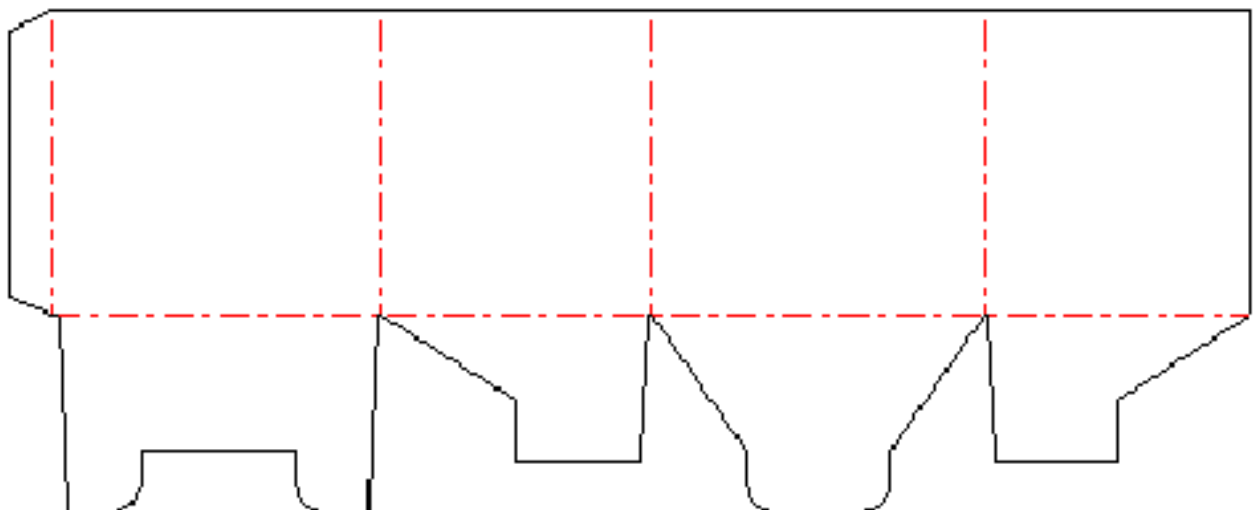
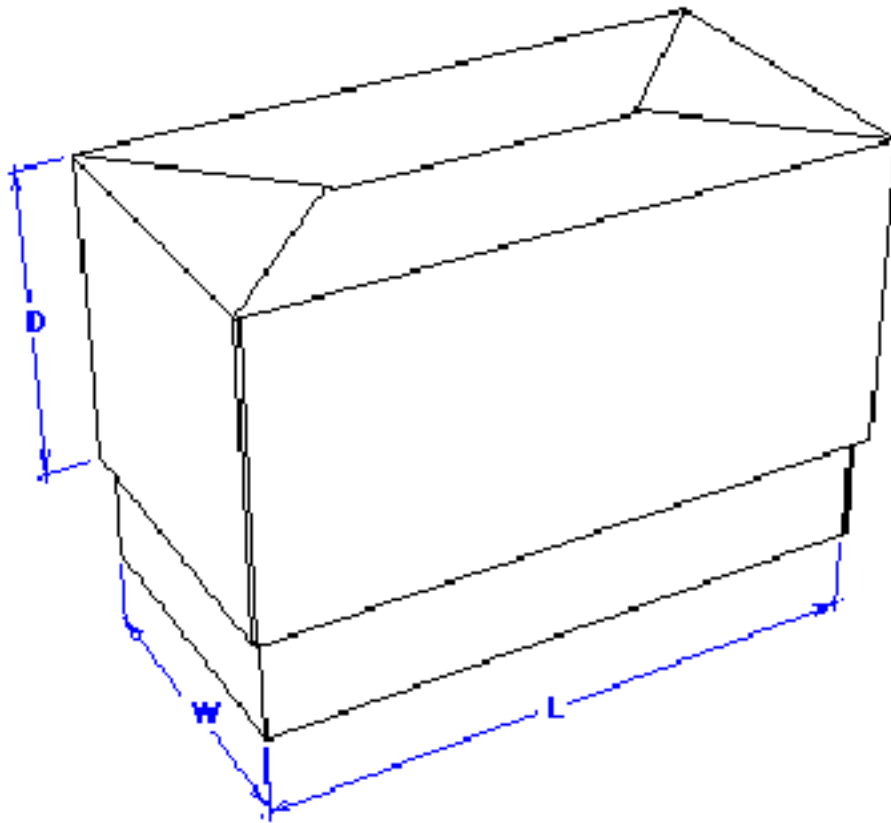


F0321 Body

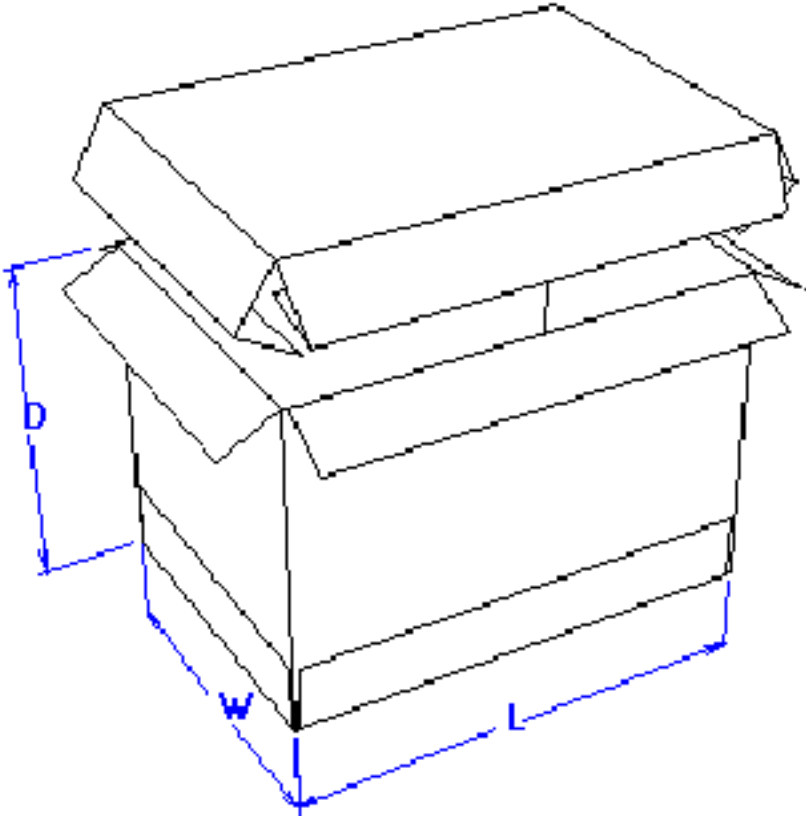


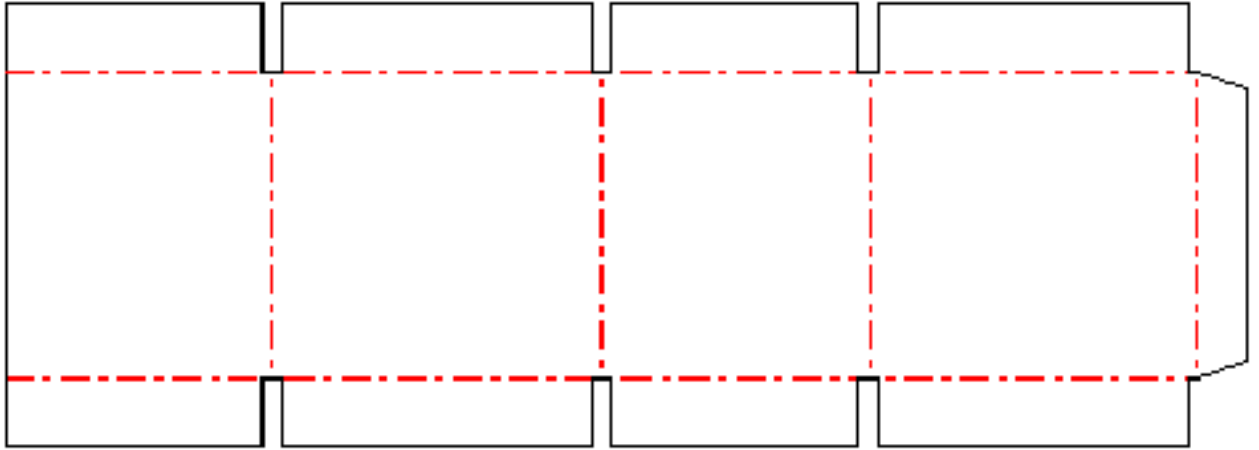


F0321 Cover

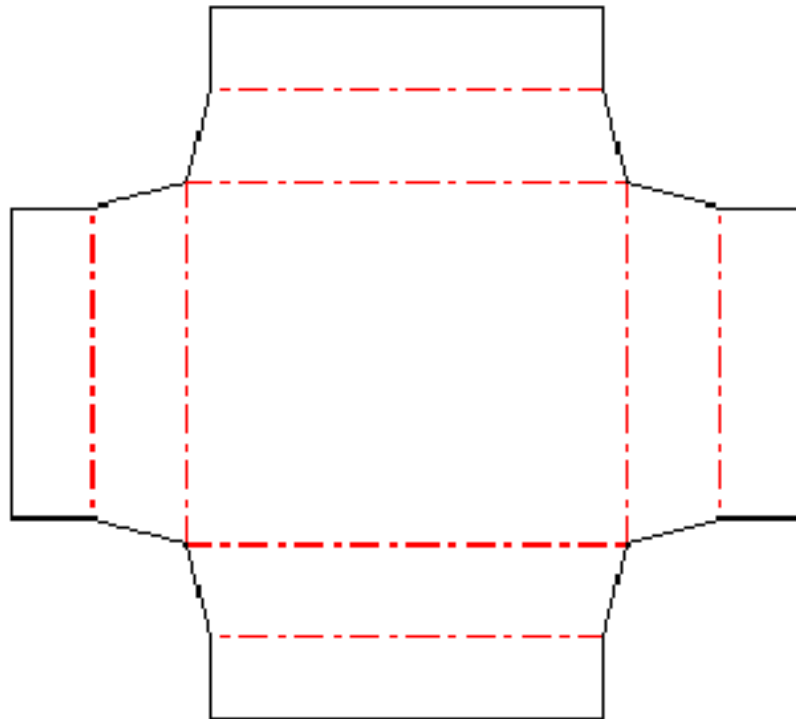
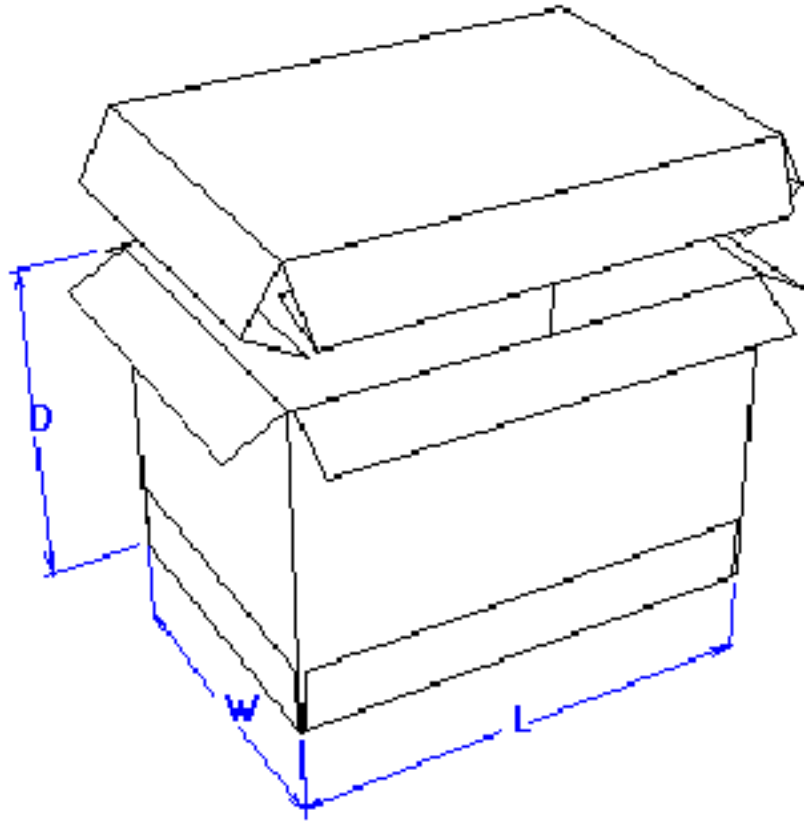


F0325 Body

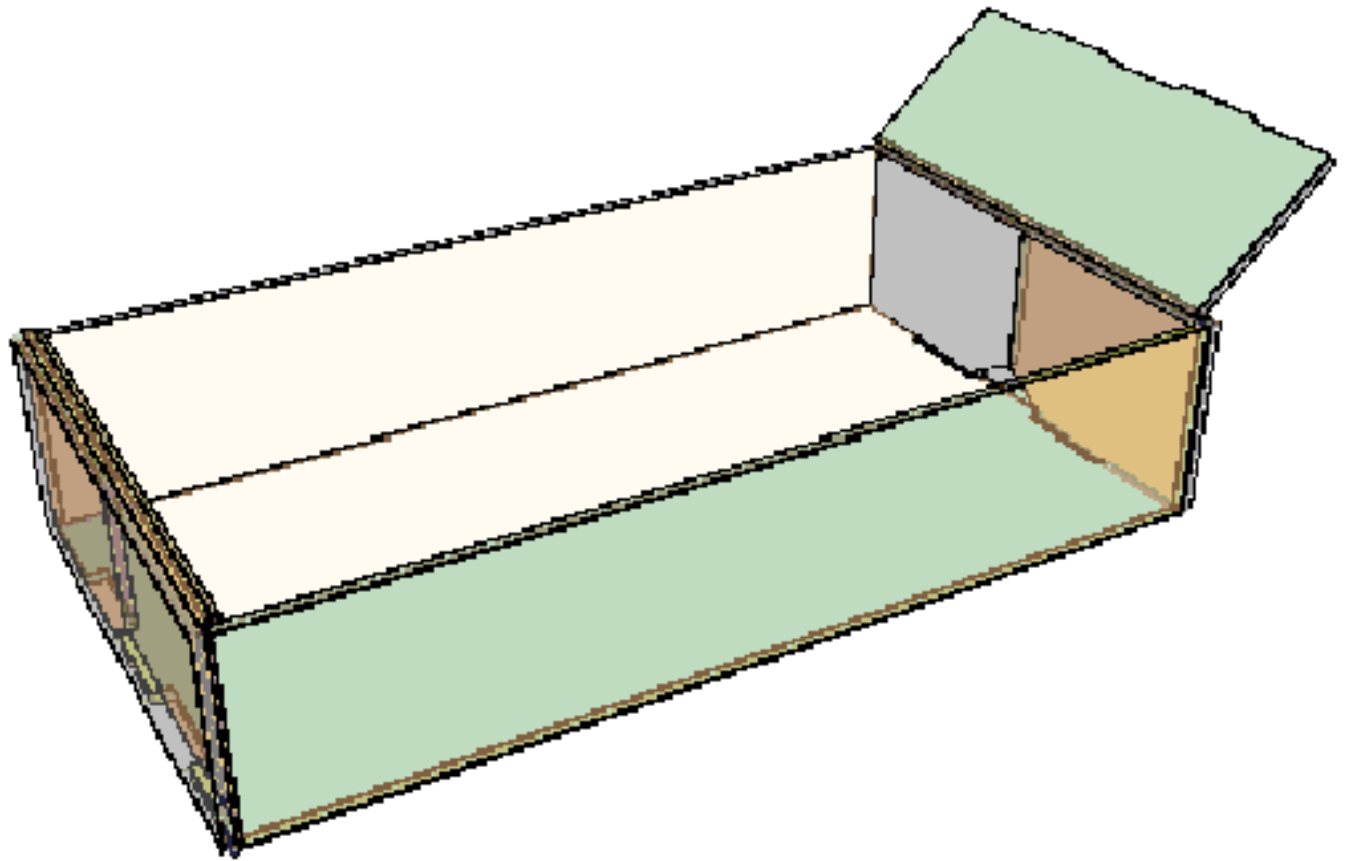


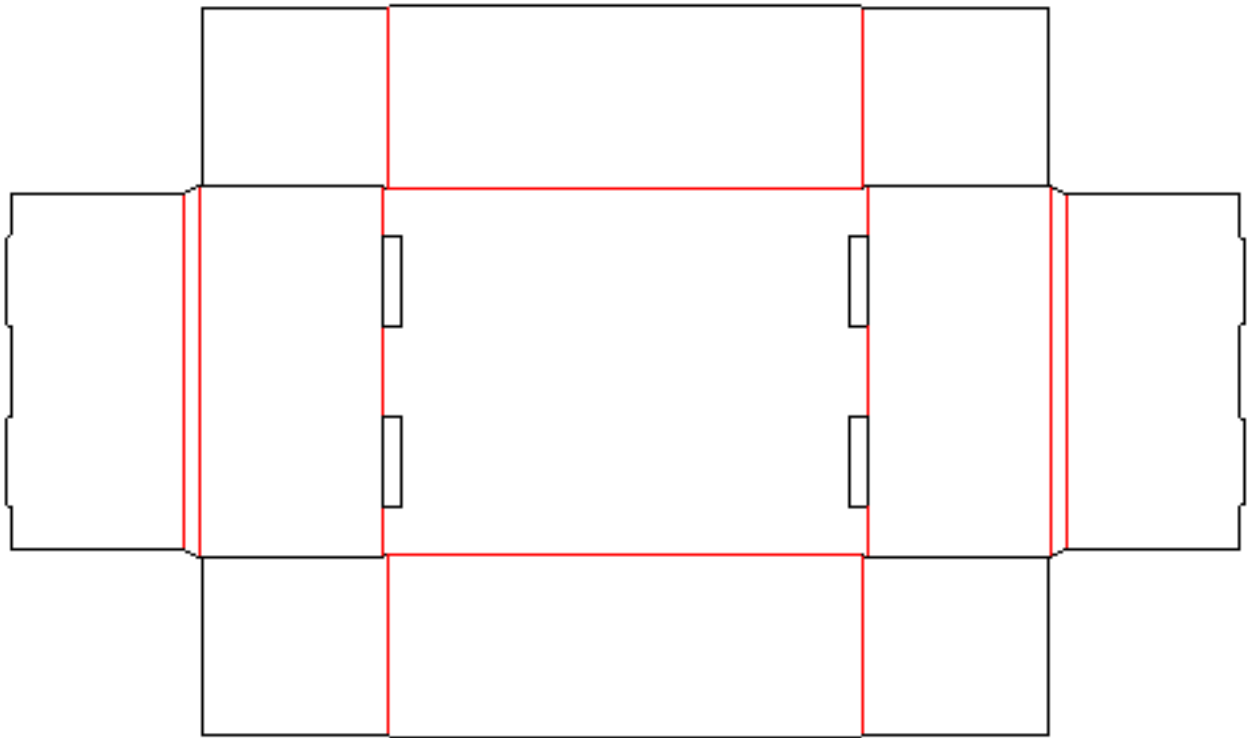


F0325 Cover

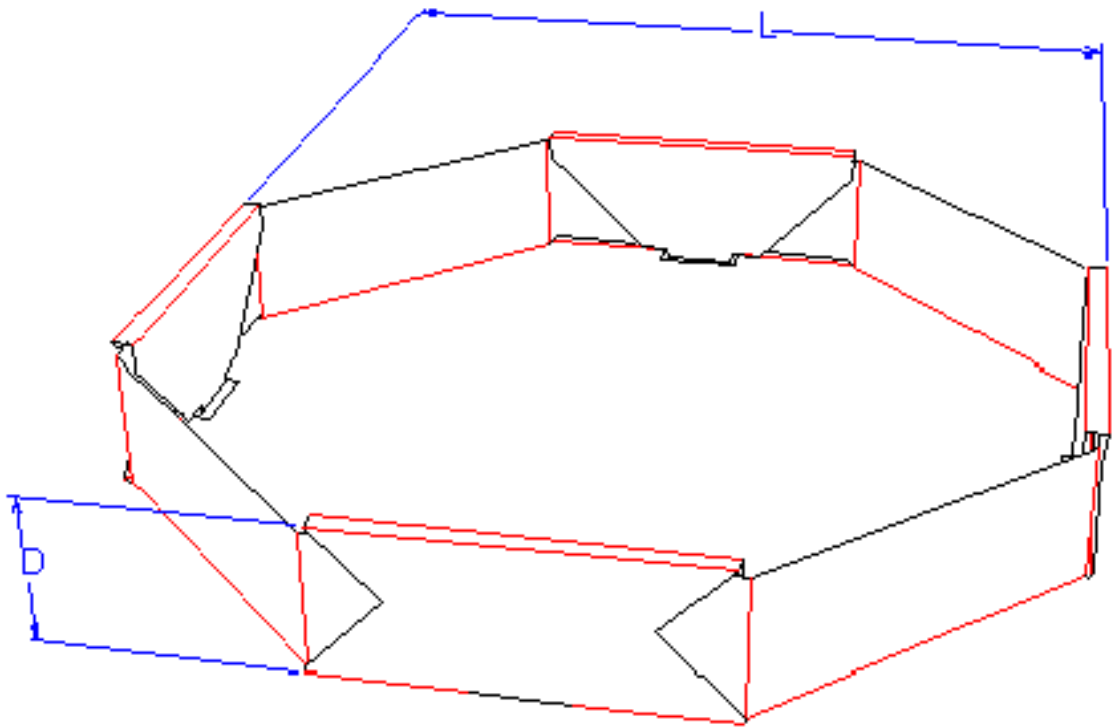


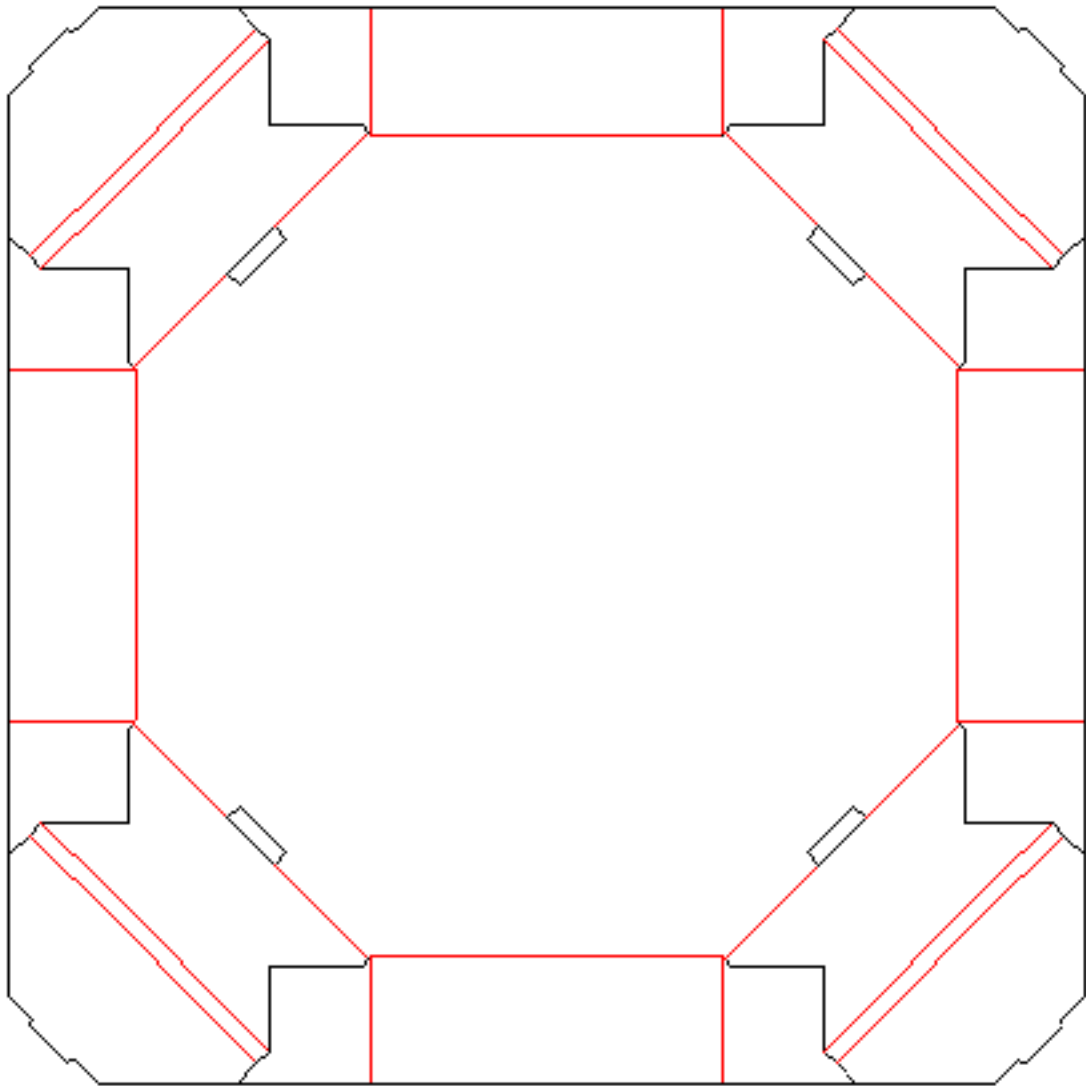
F0330



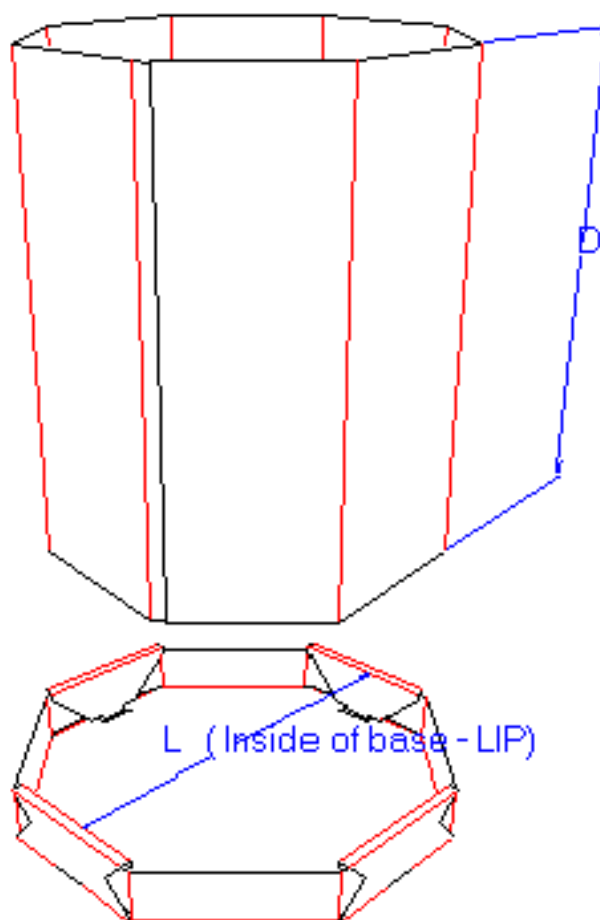


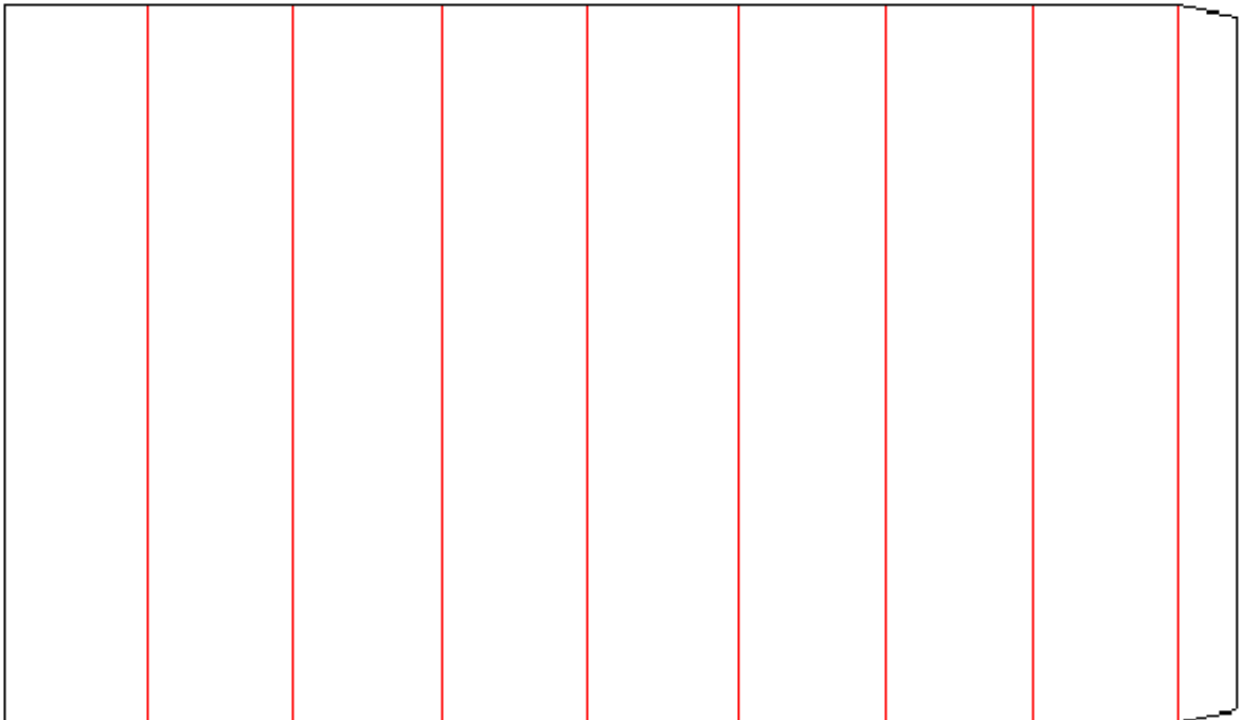
F0351a





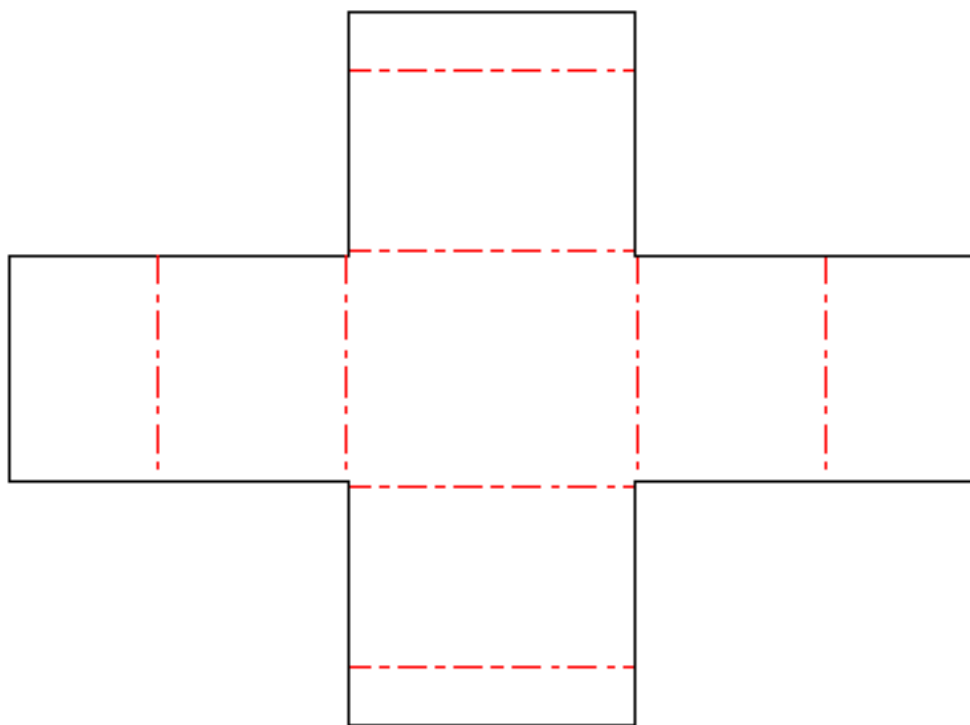
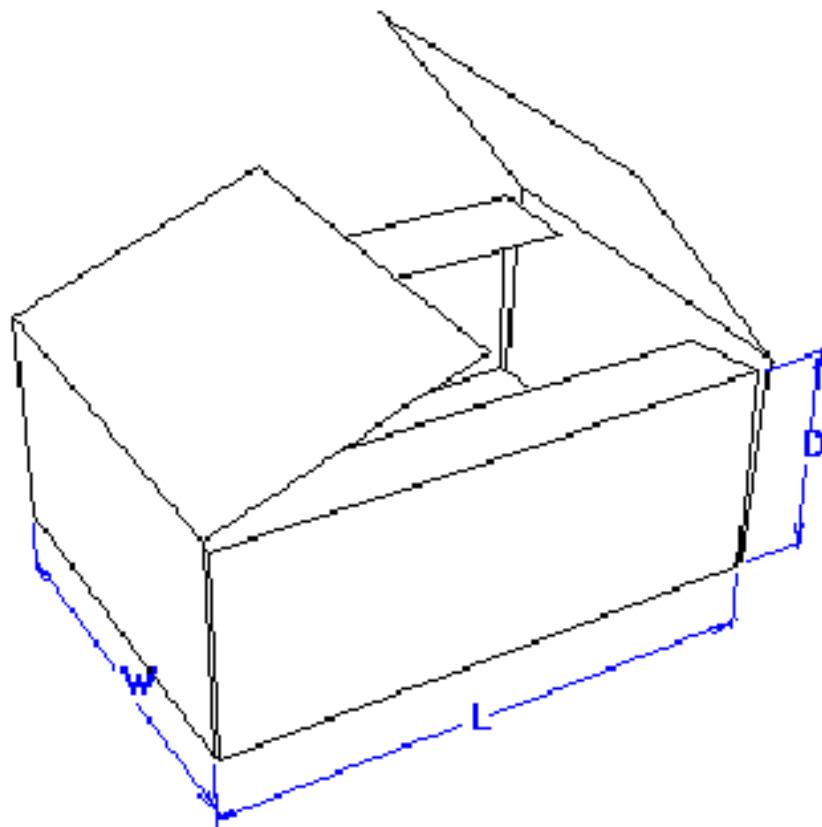
F0351b



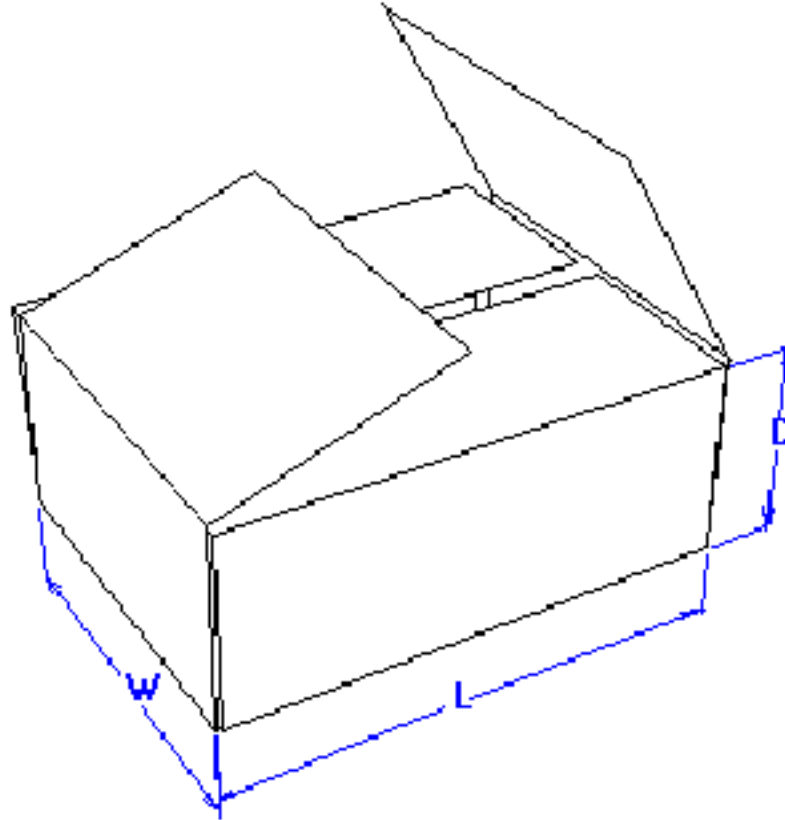


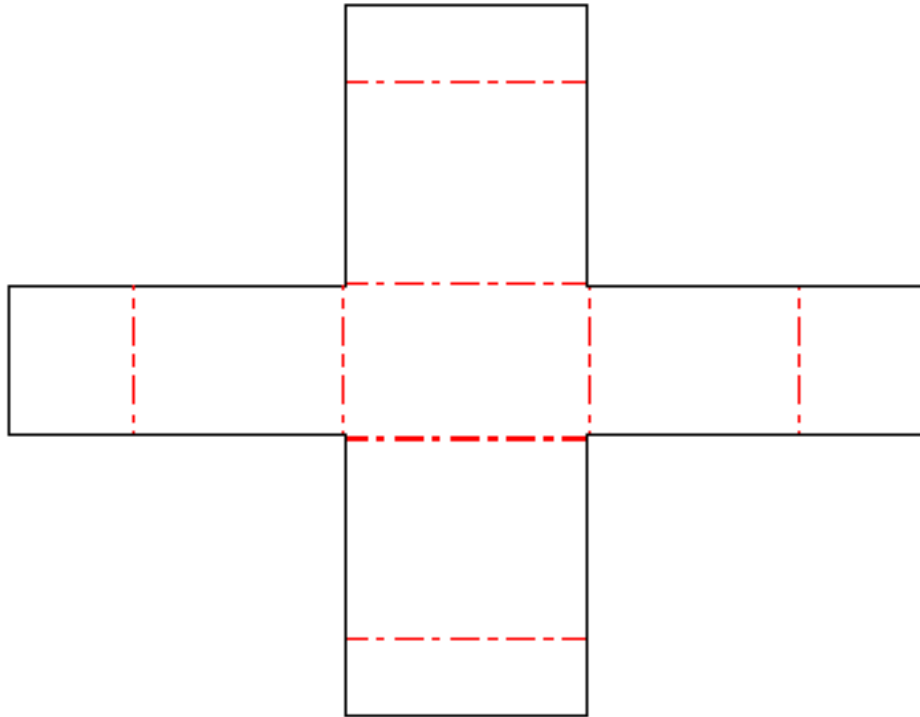
FEFCO Standards - 400 Series

F0401

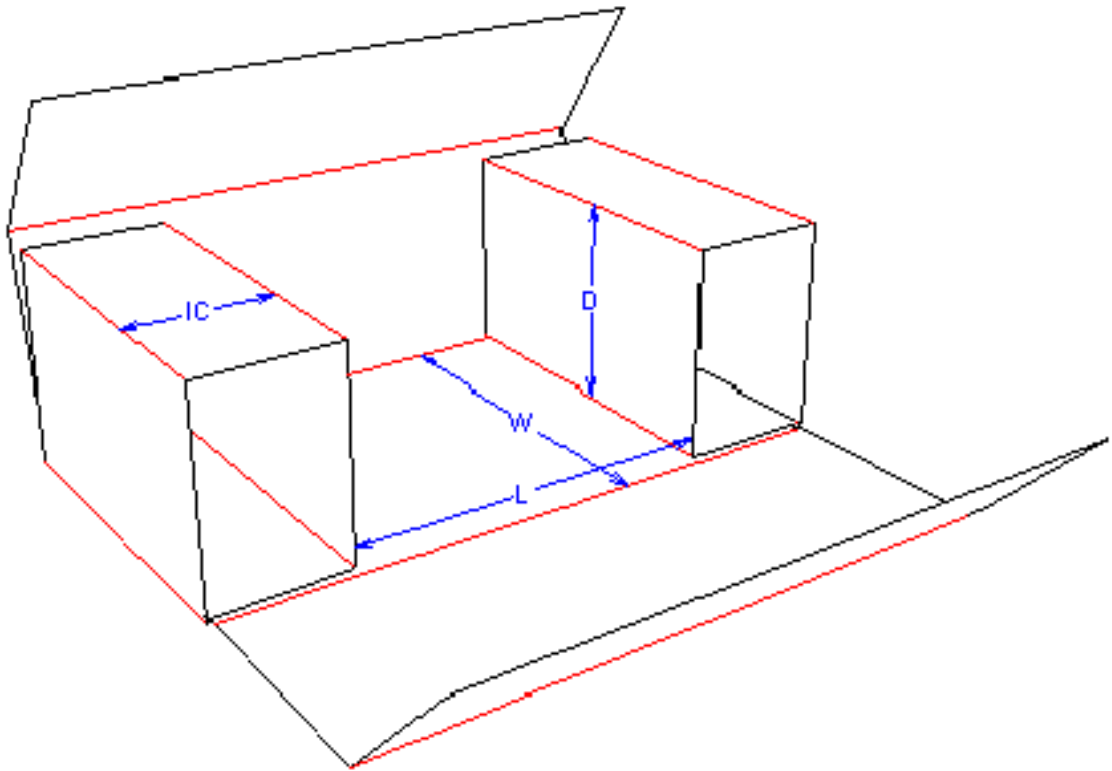


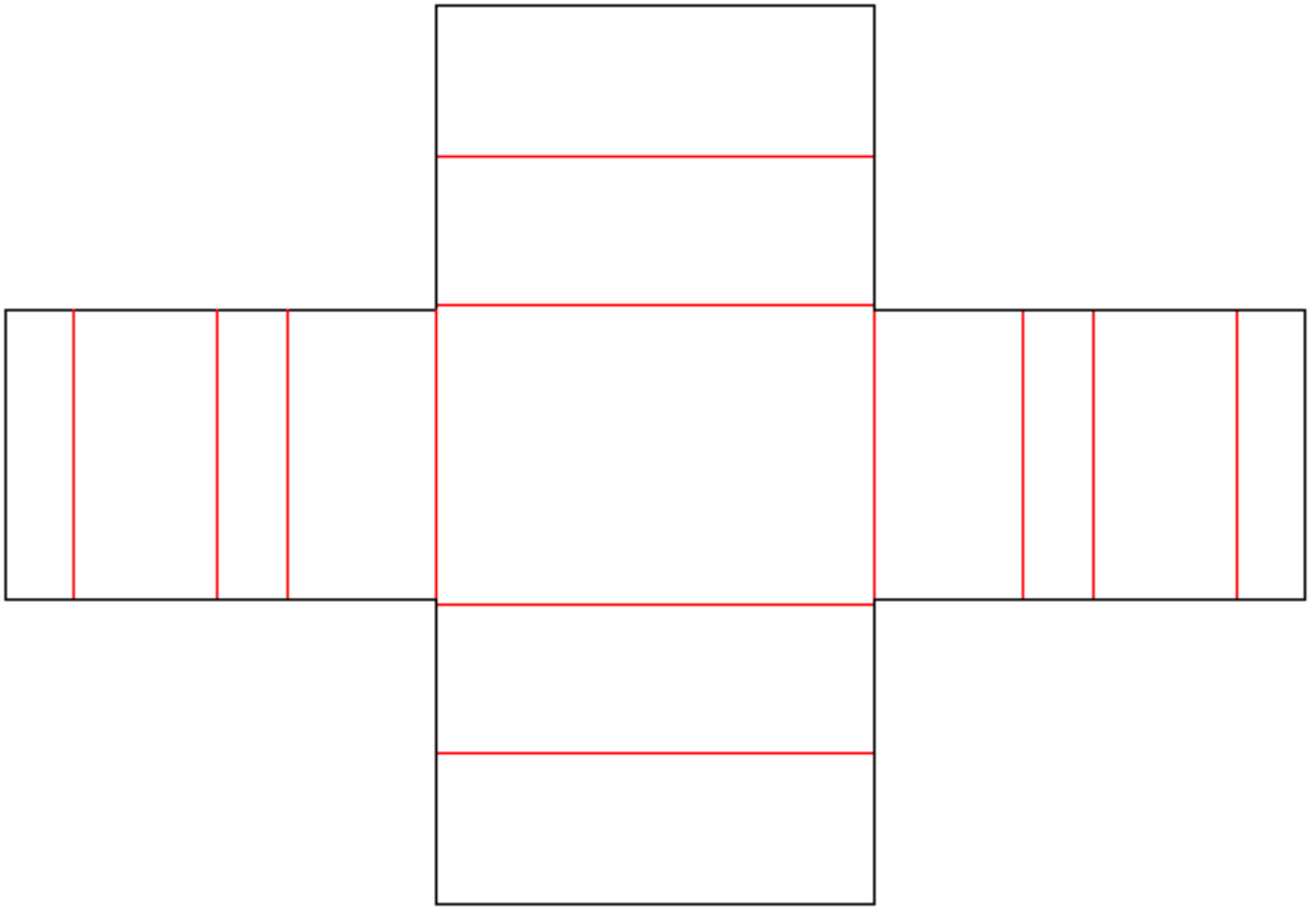
F0402



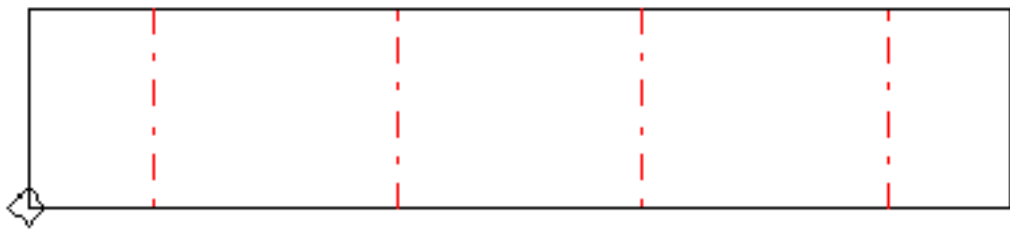
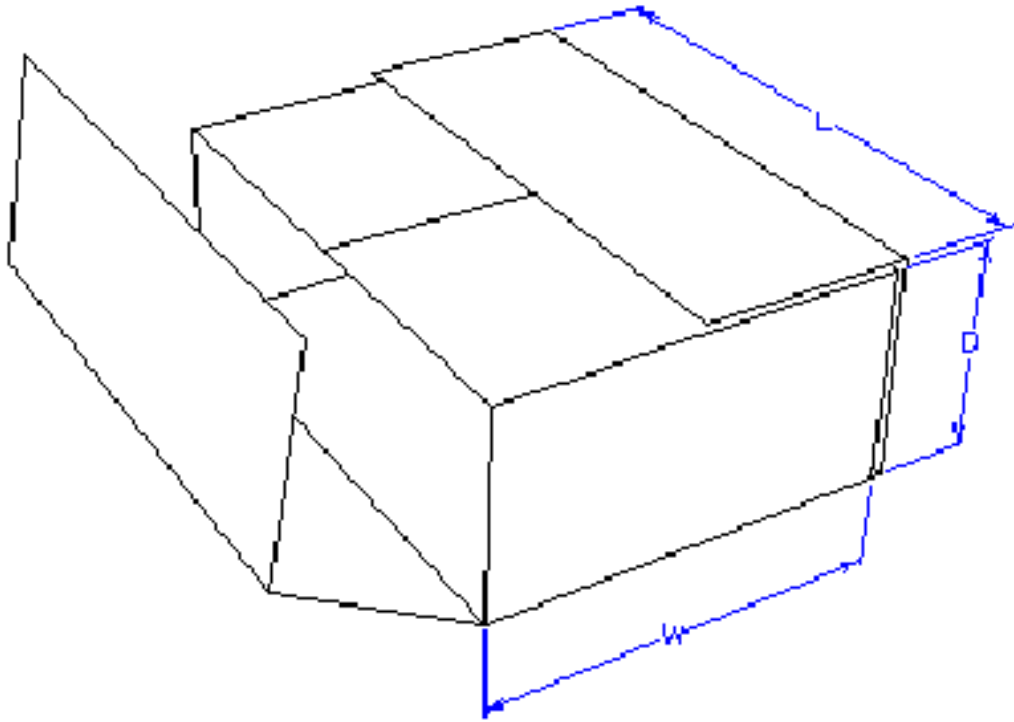


F0403

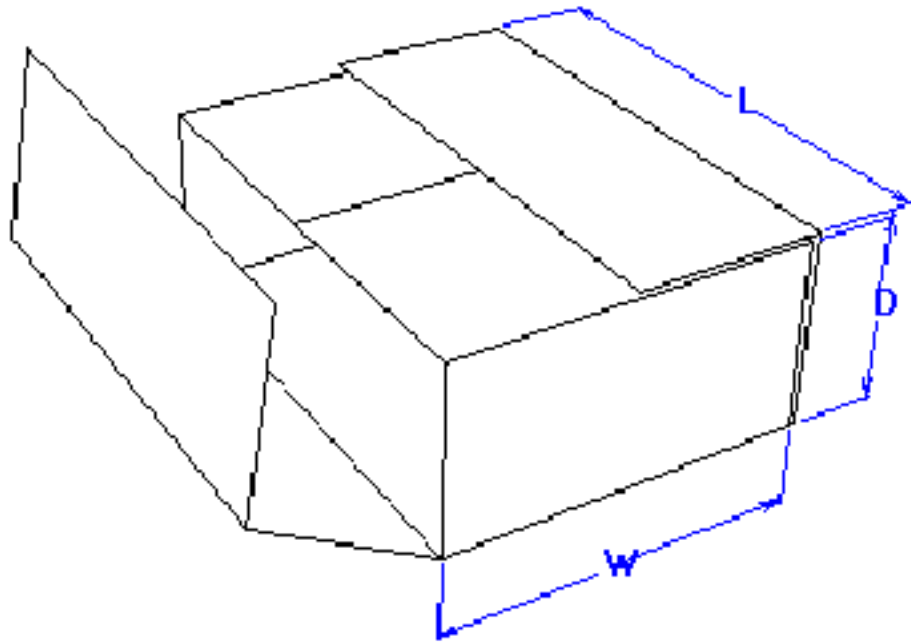


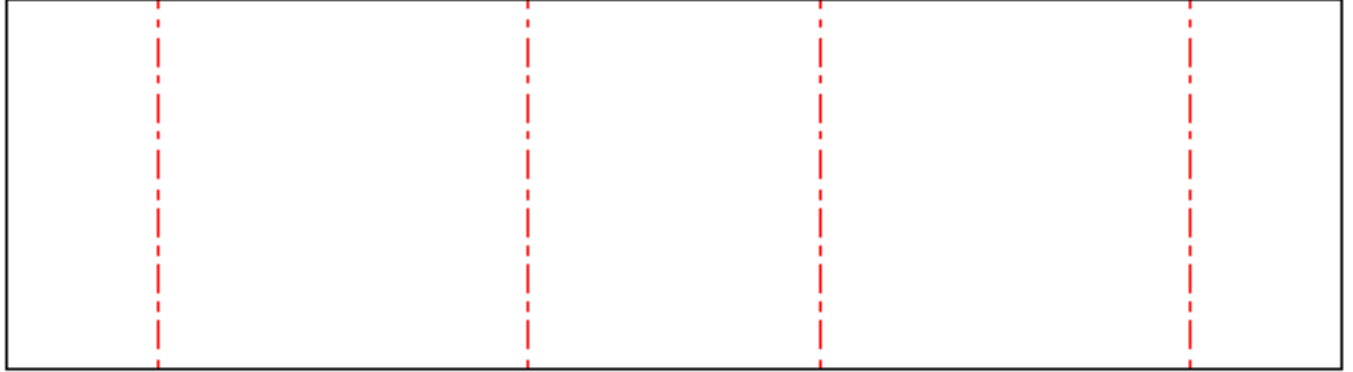


F0404 Body

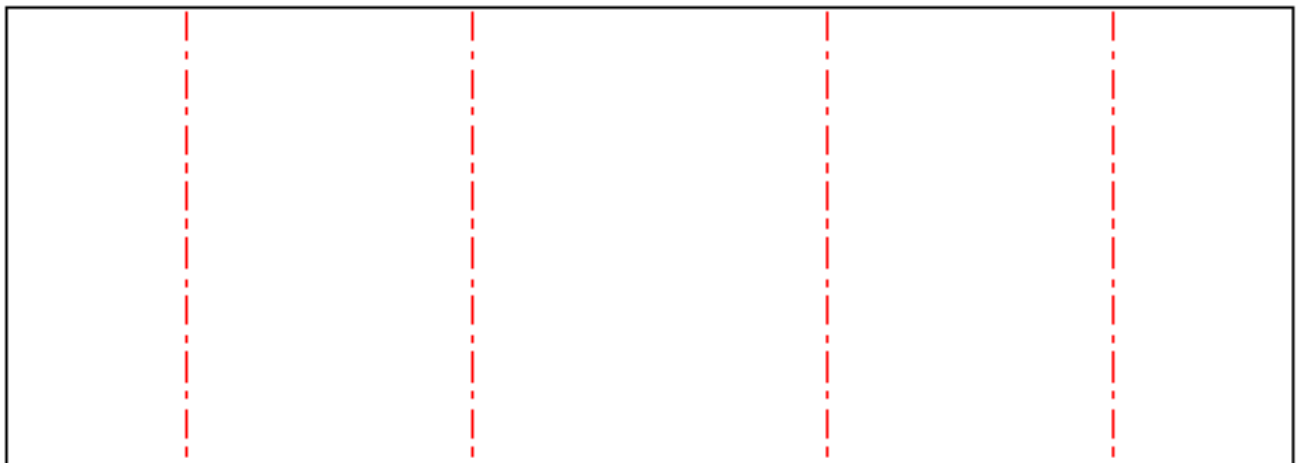
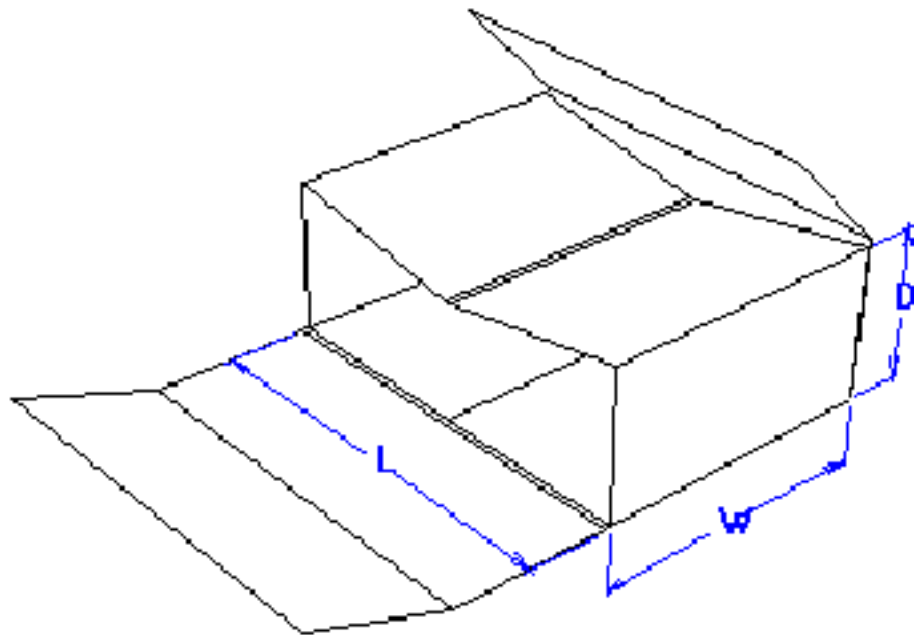


F0404 Caps

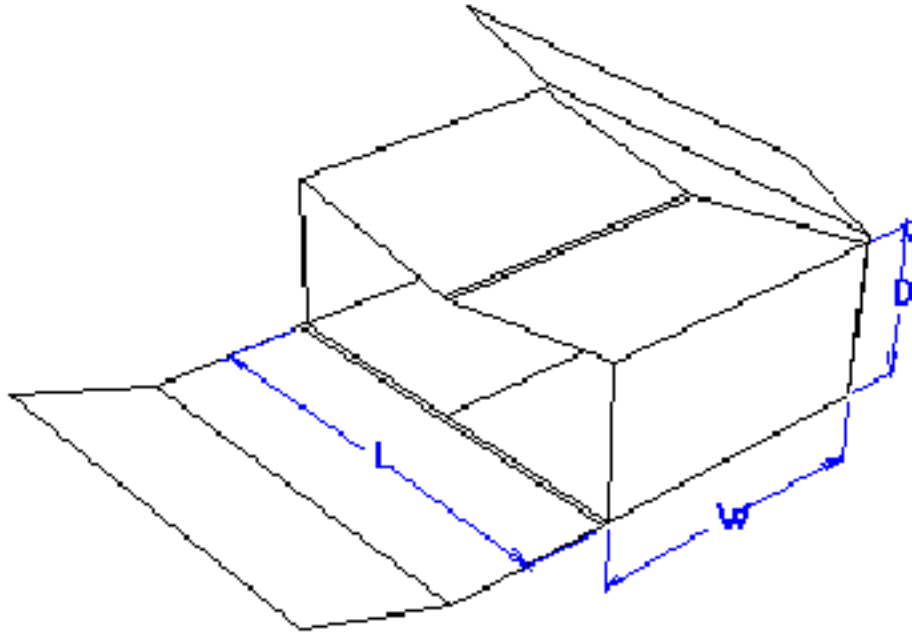




F0405 Body

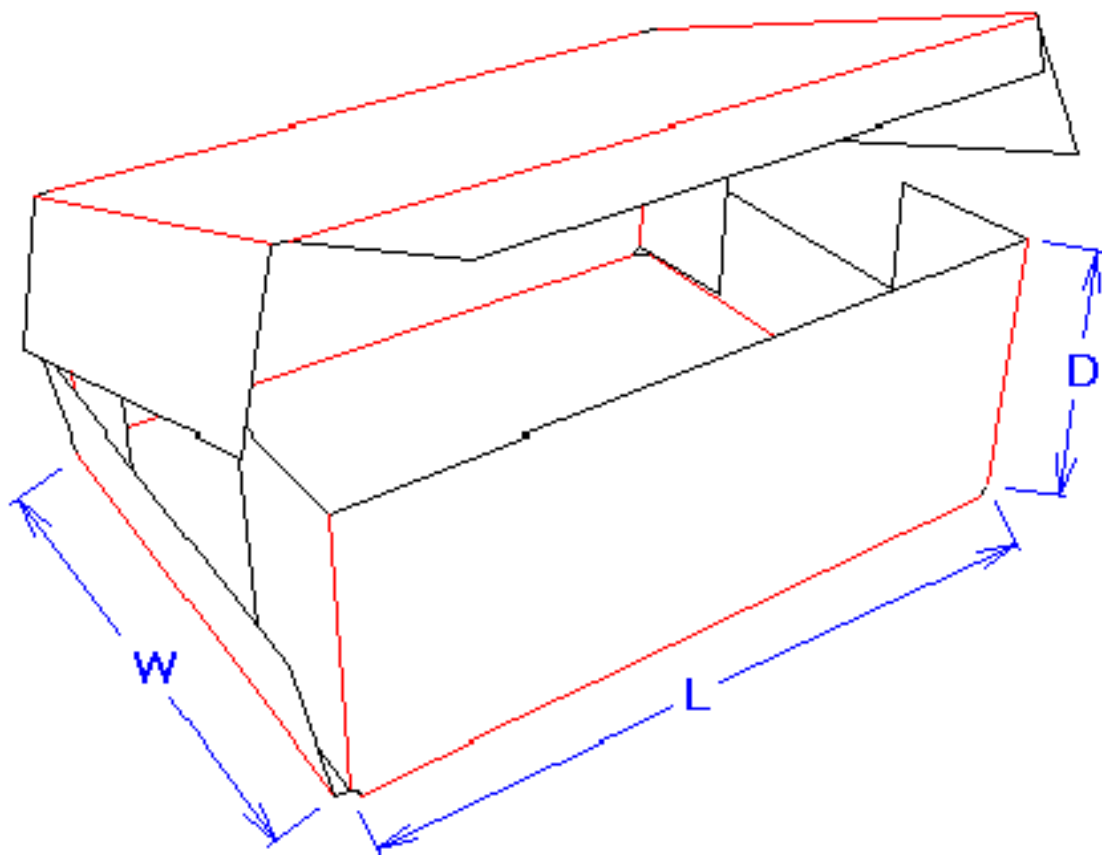


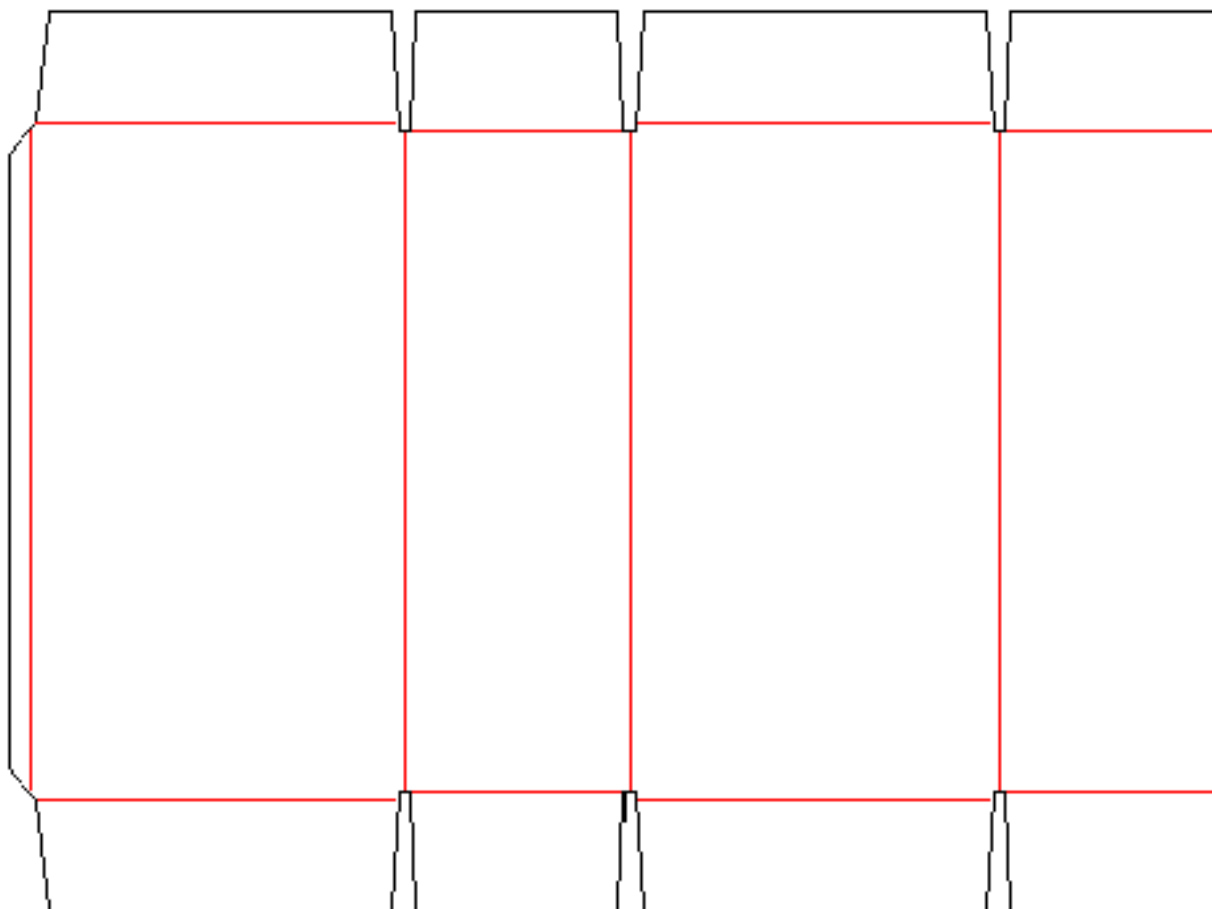
F0405 Caps



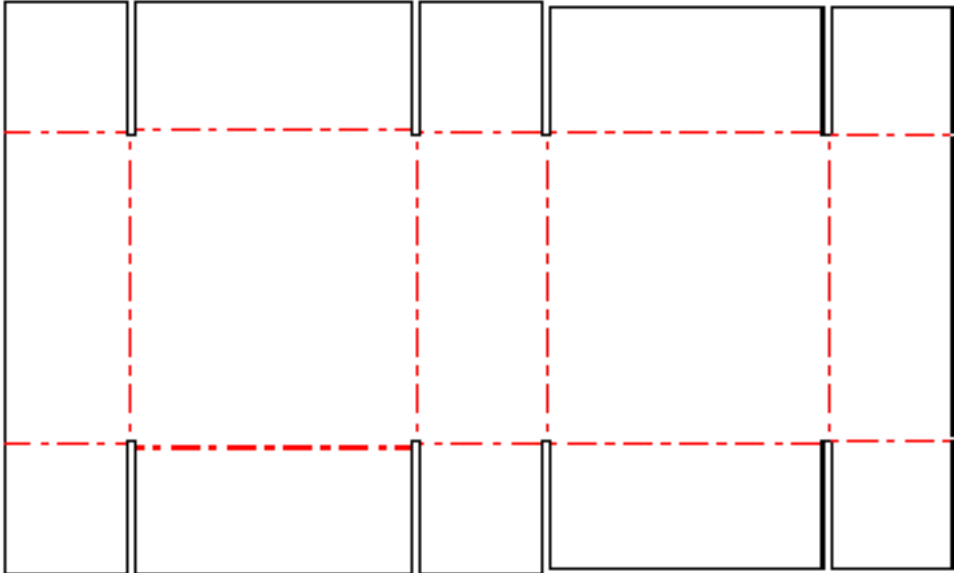
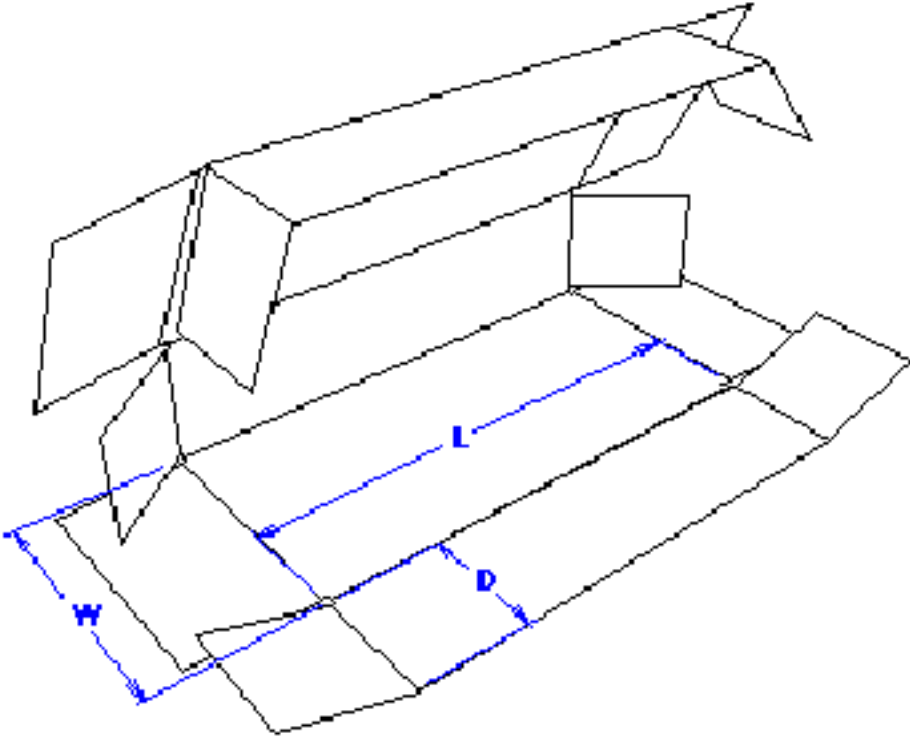


F0406

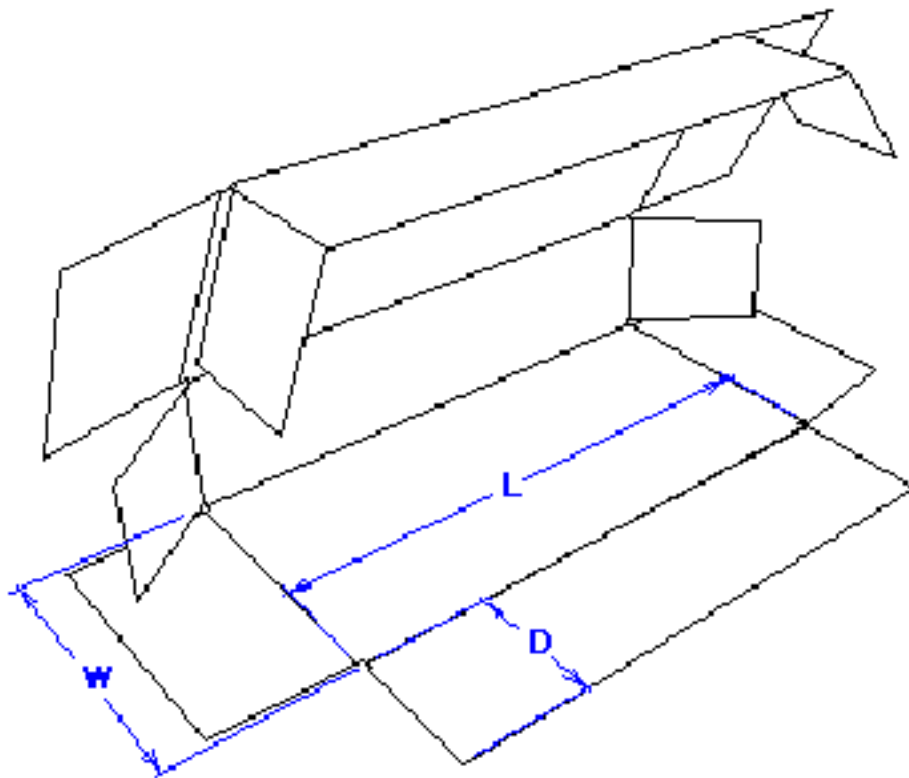


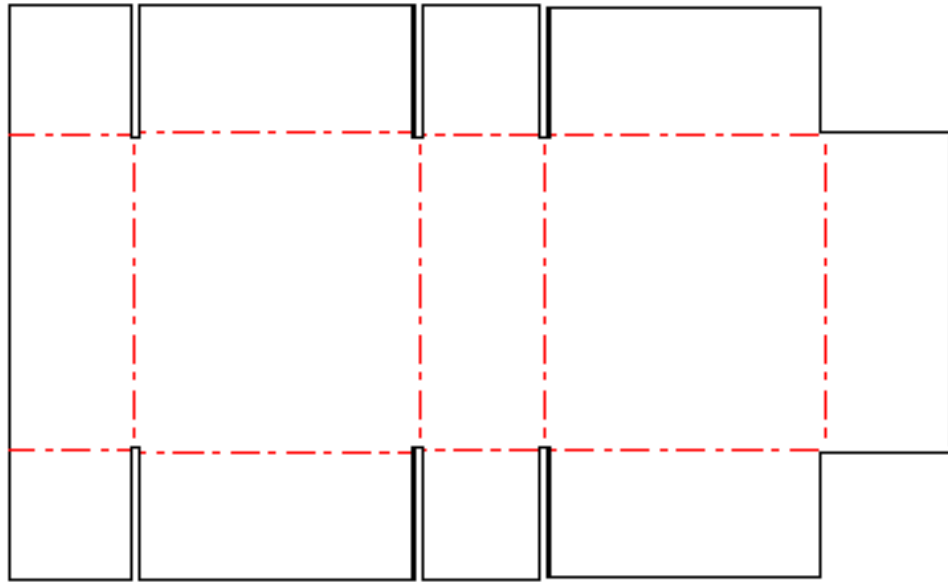


F0409

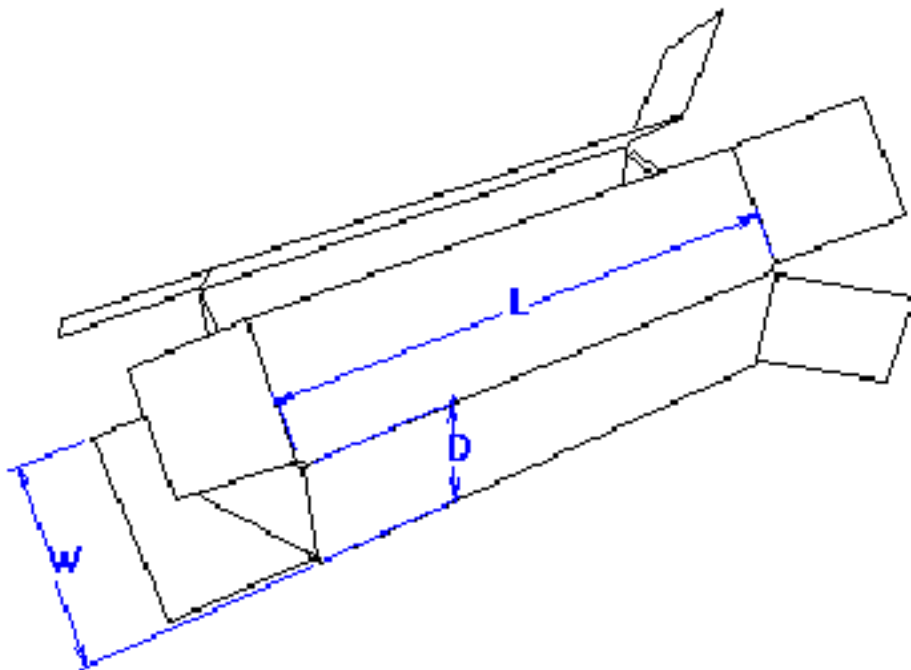


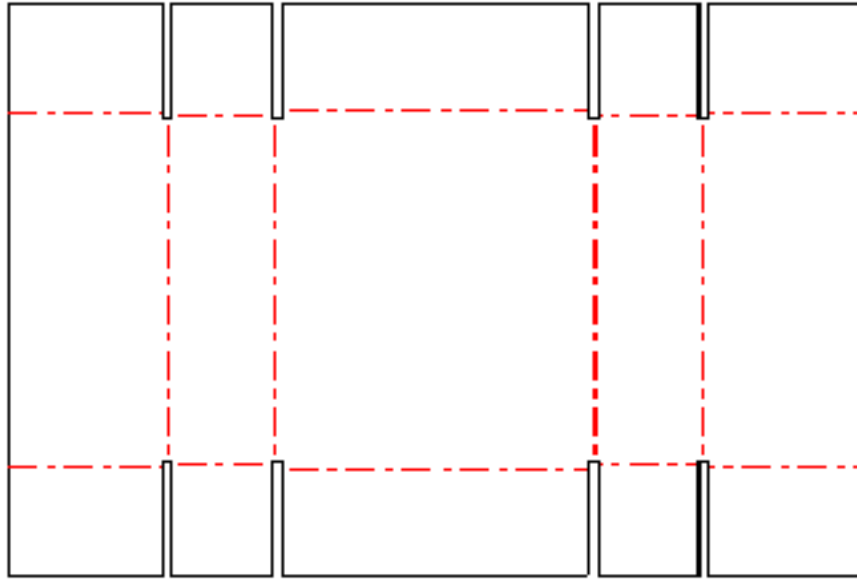
F0410



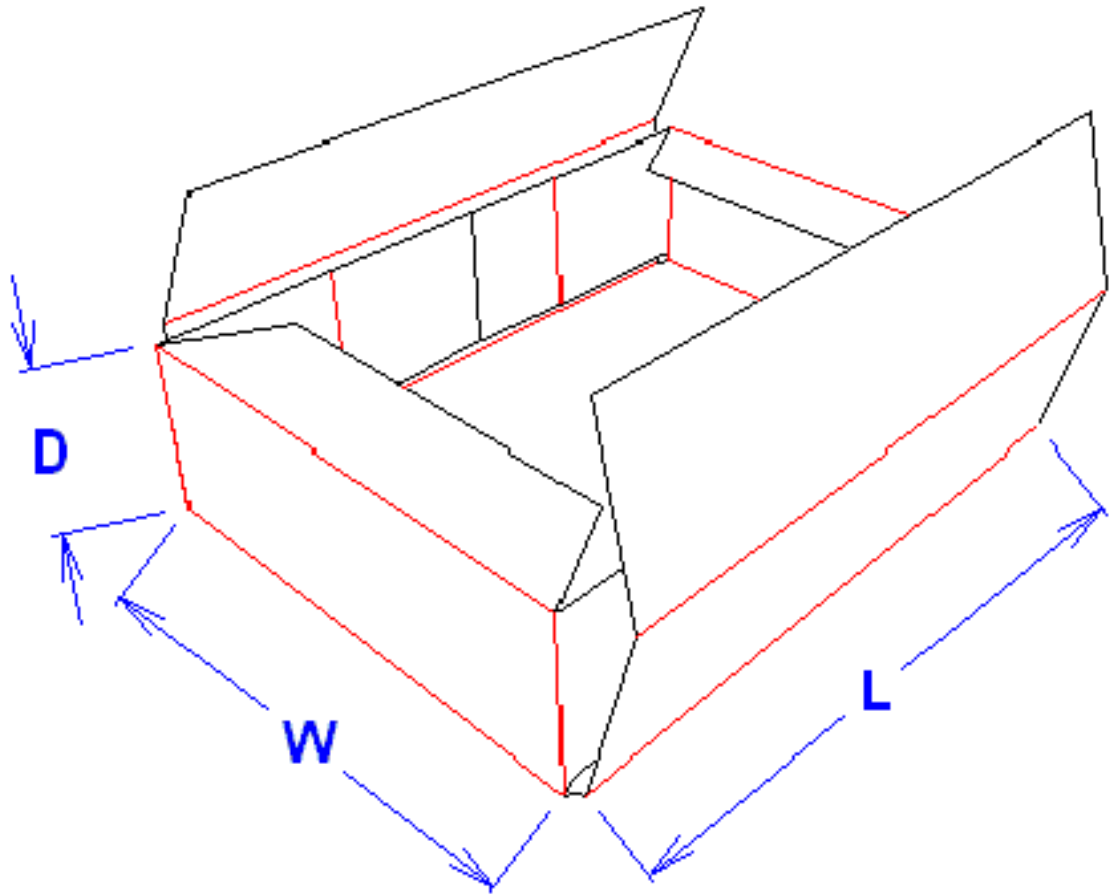


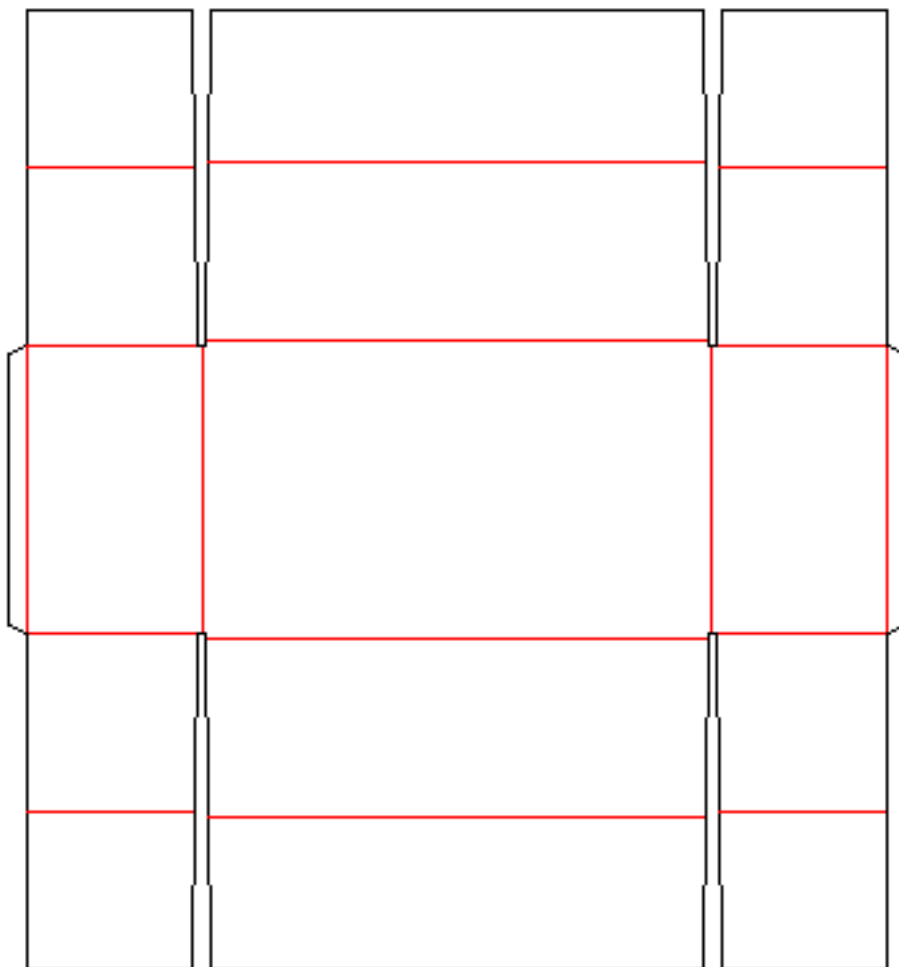
F0411



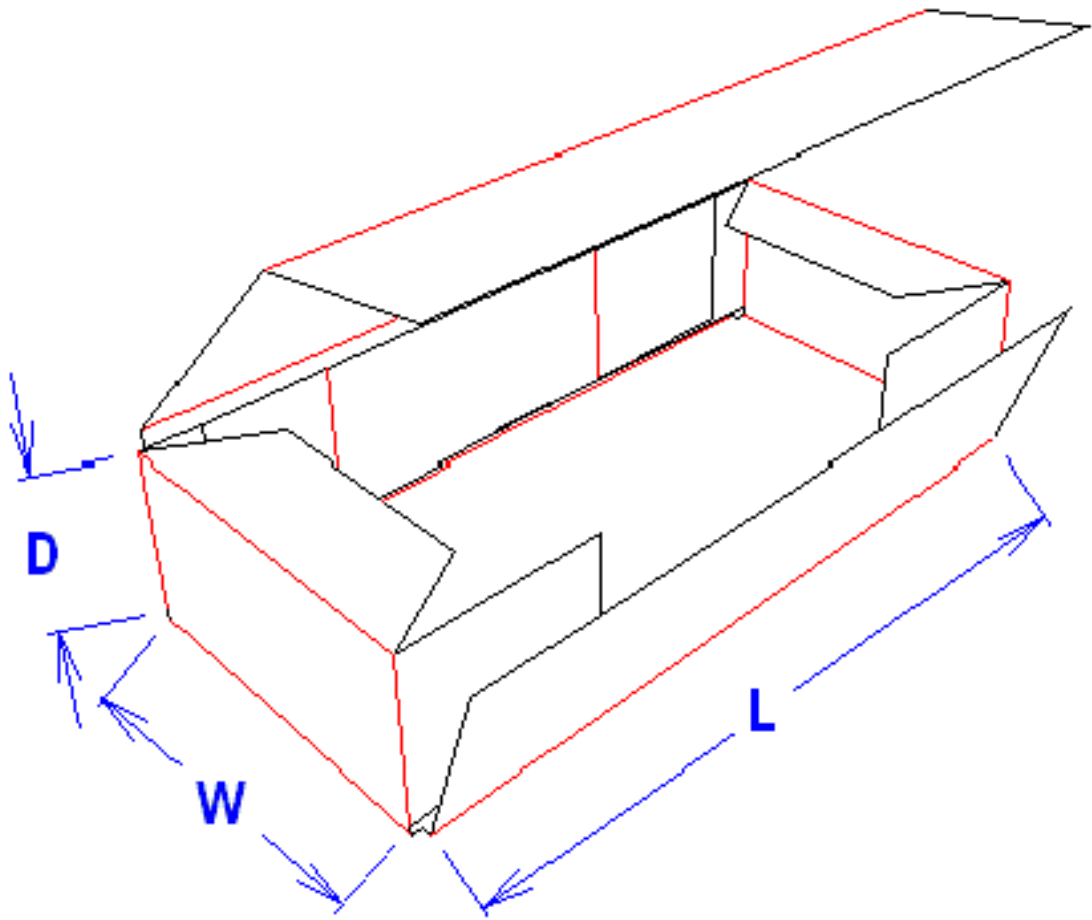


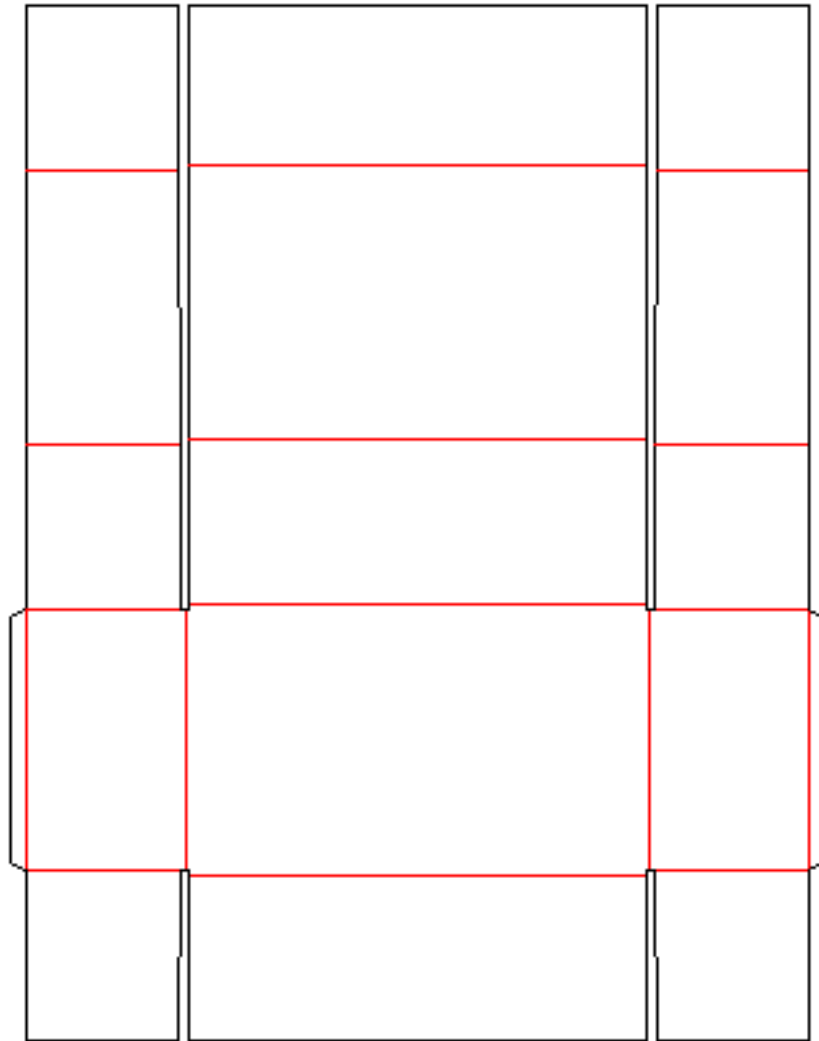
F0412



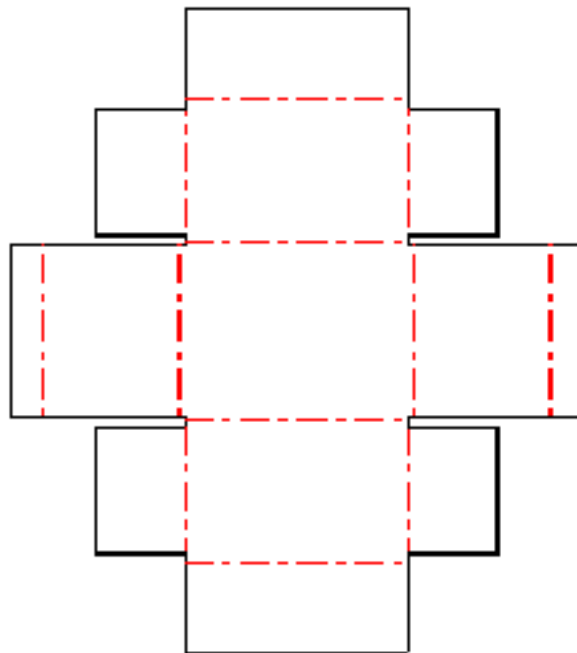
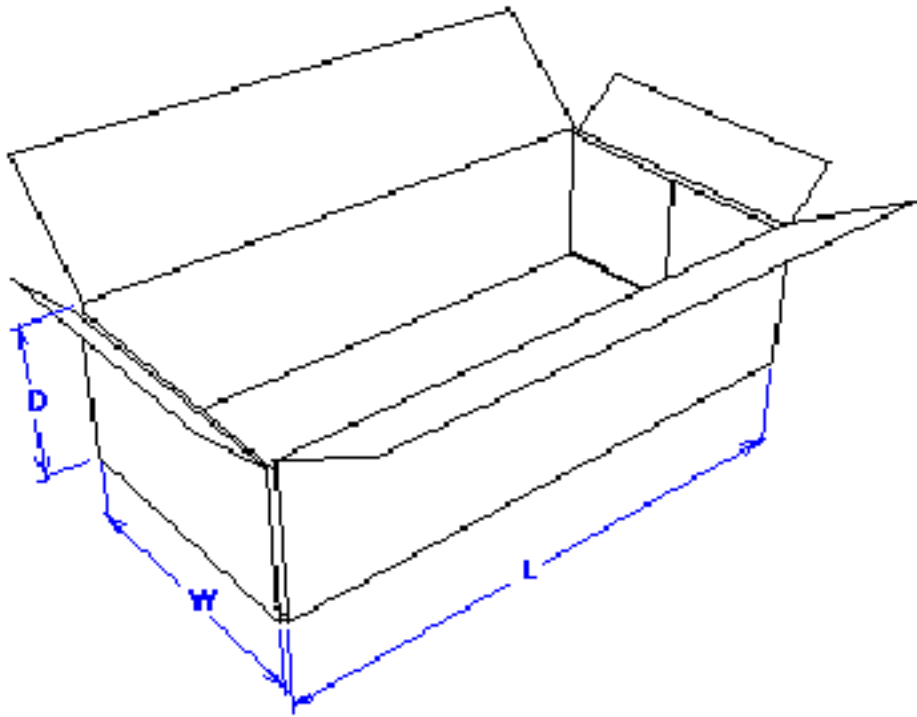


F0413

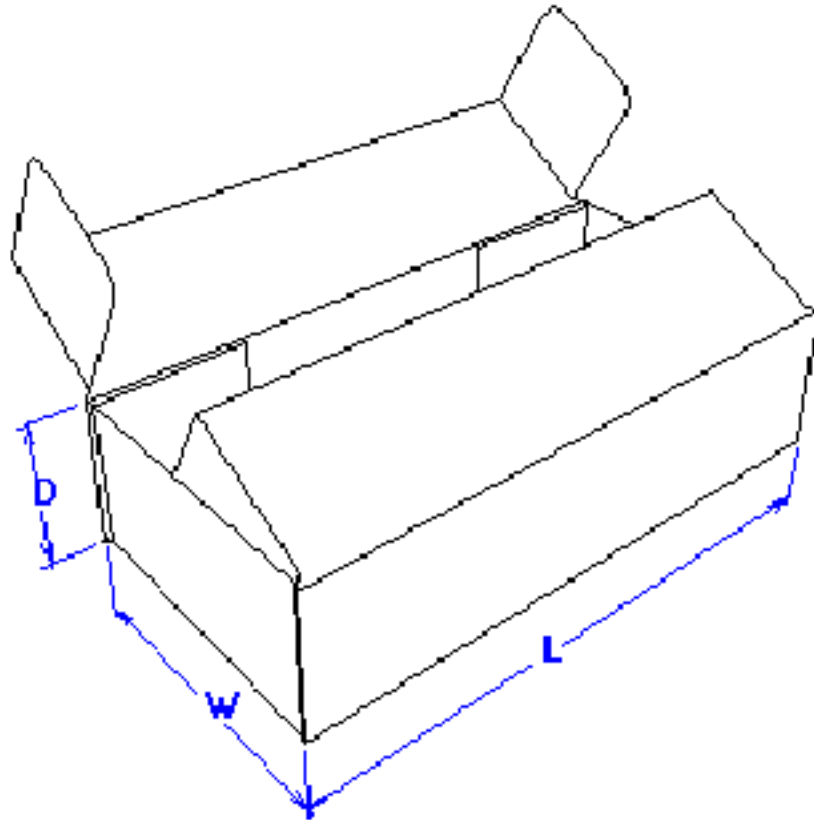


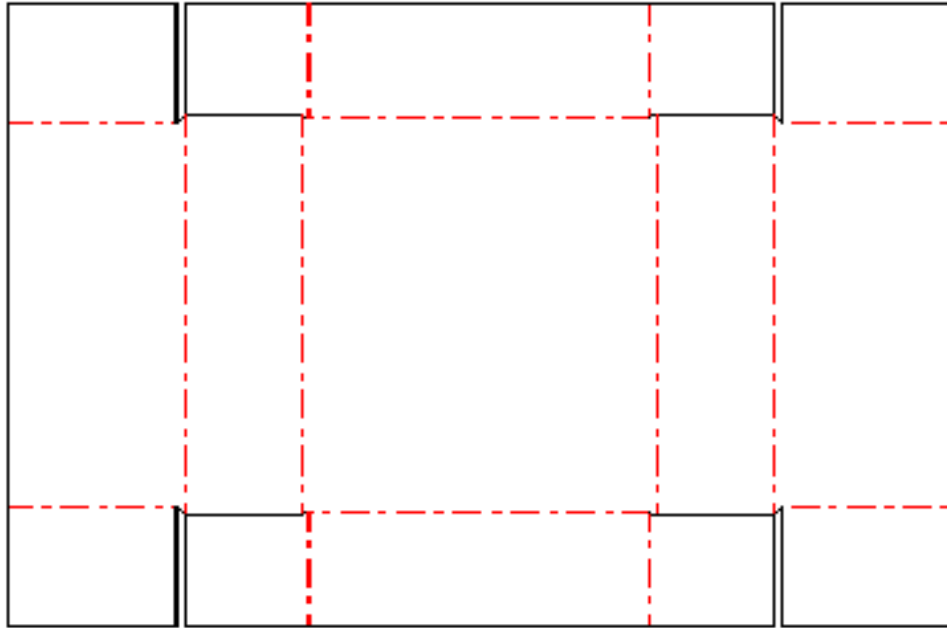


F0415

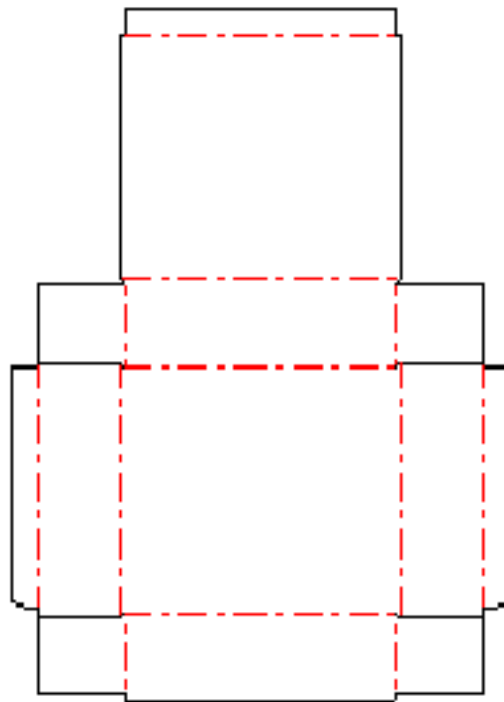
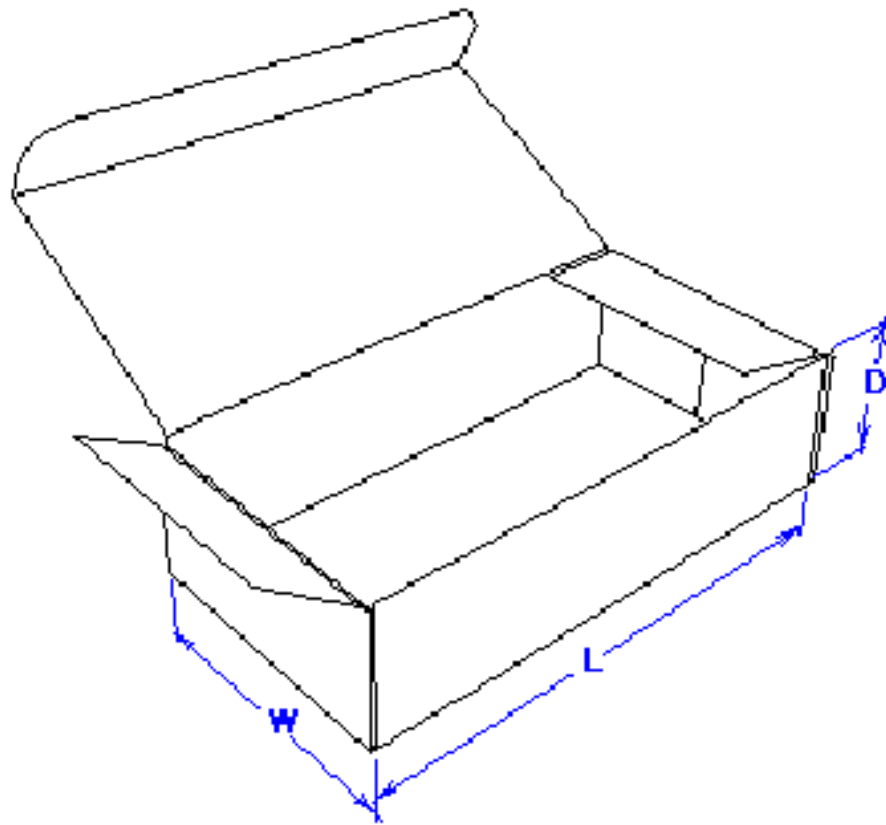


F0416

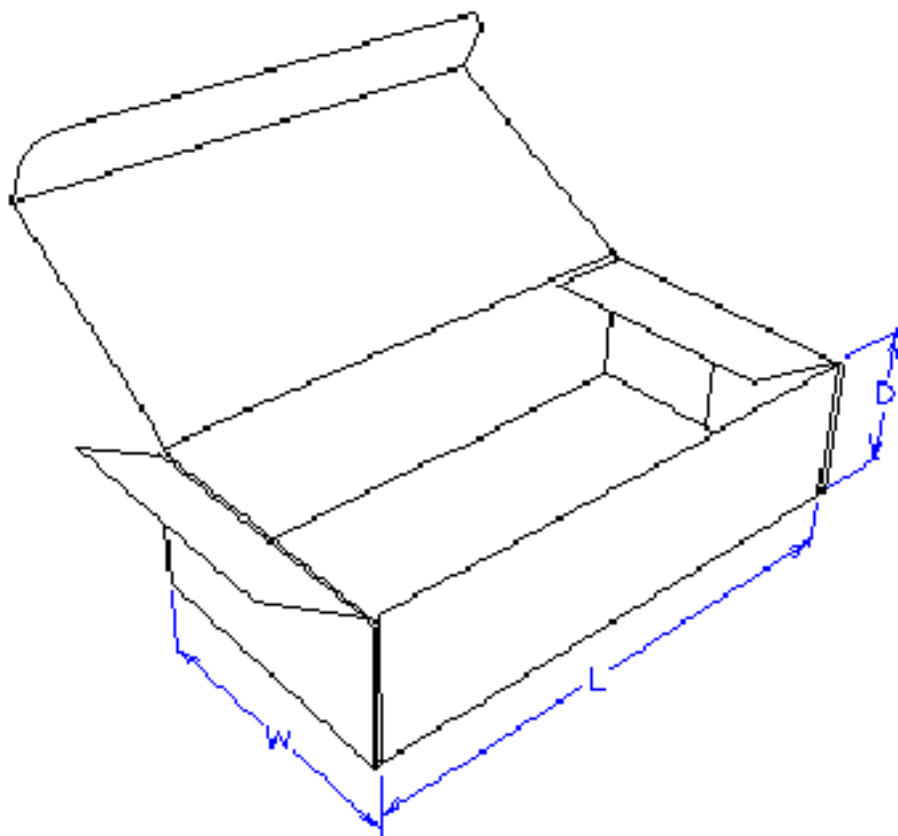


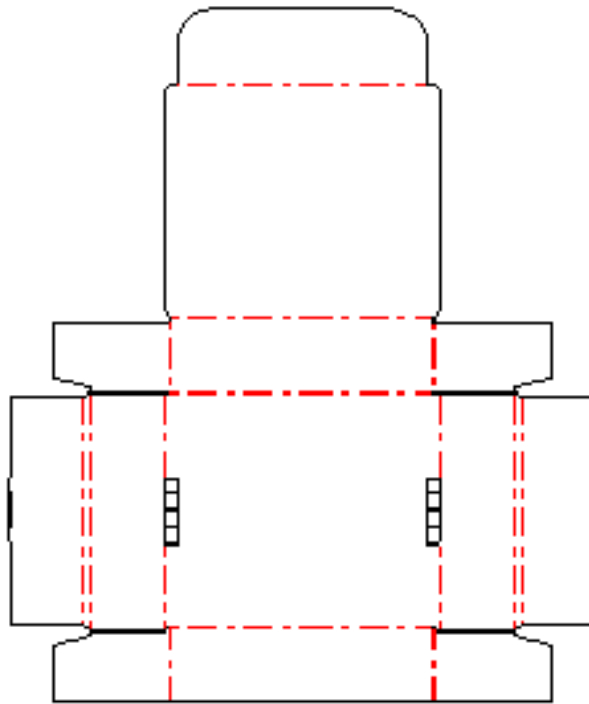


F0420

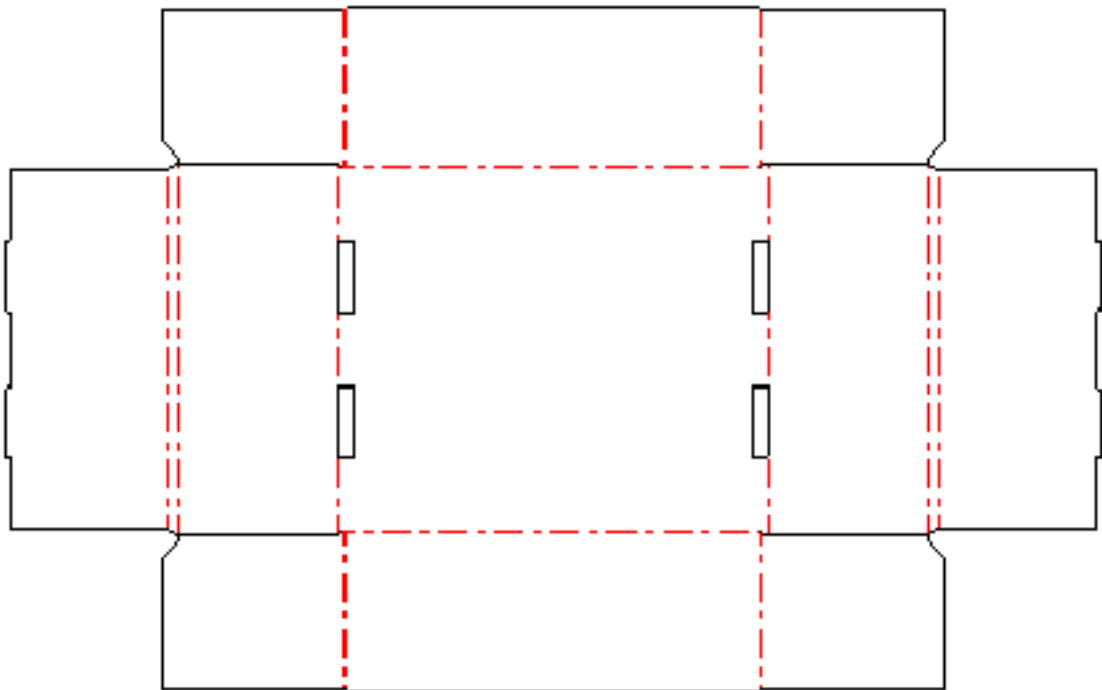
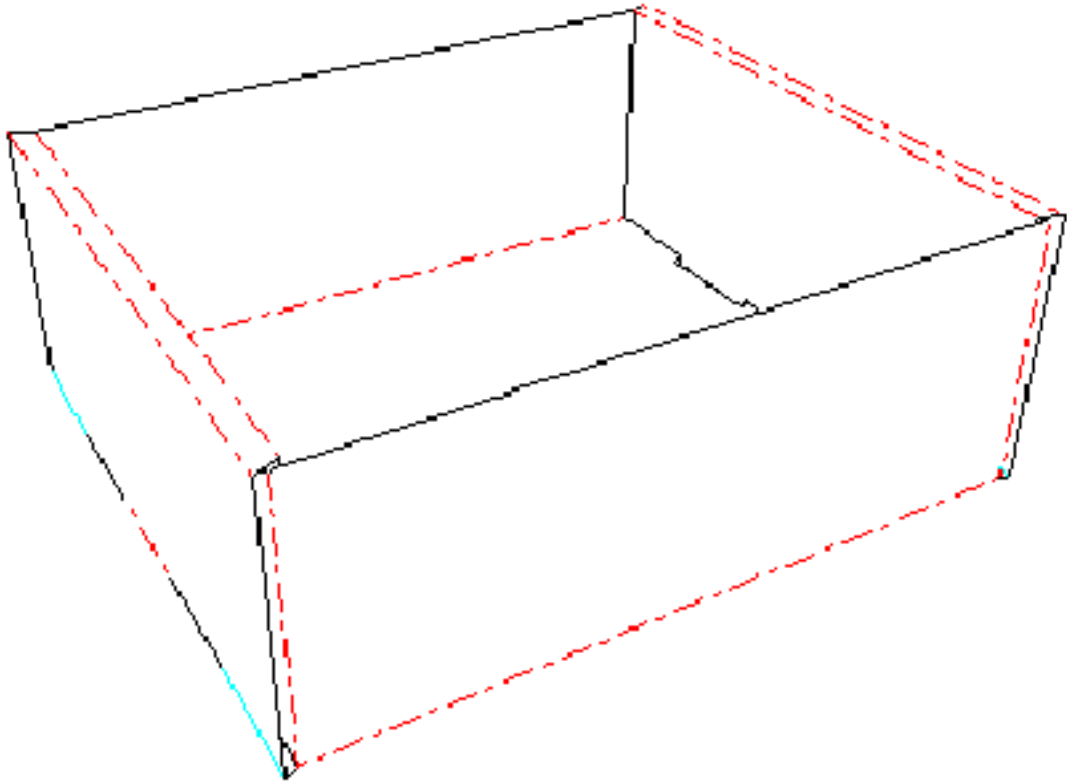


F0421

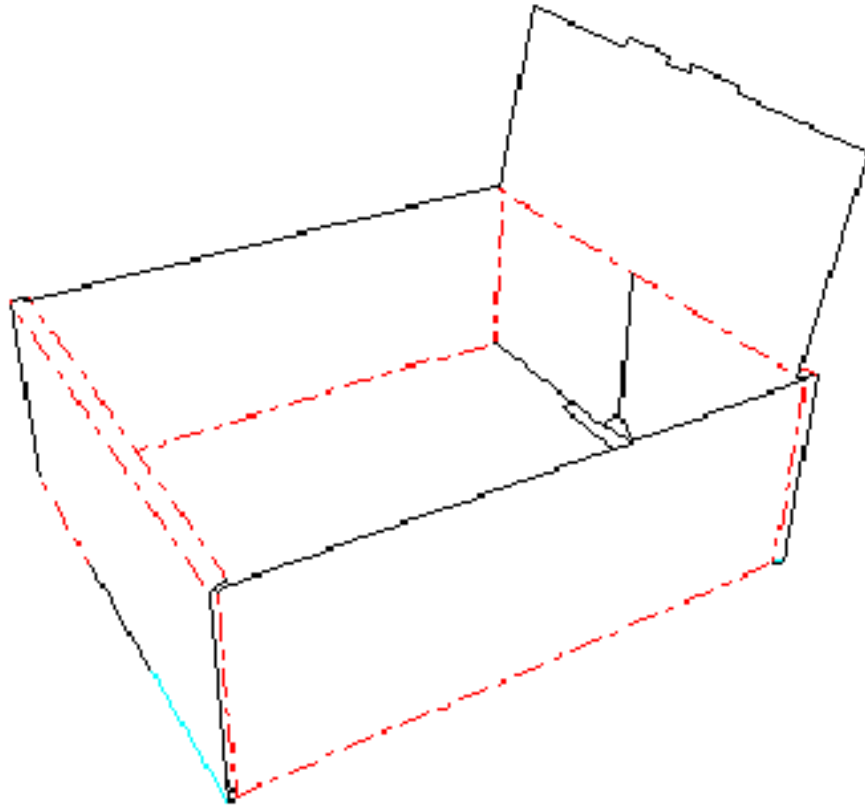


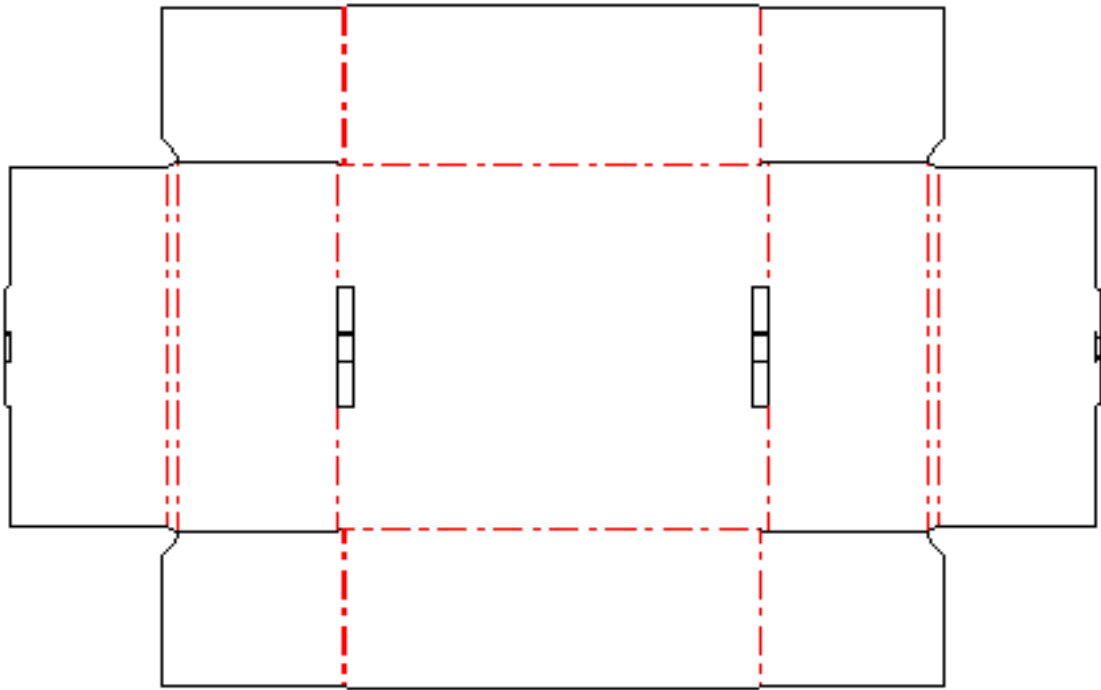


F0422

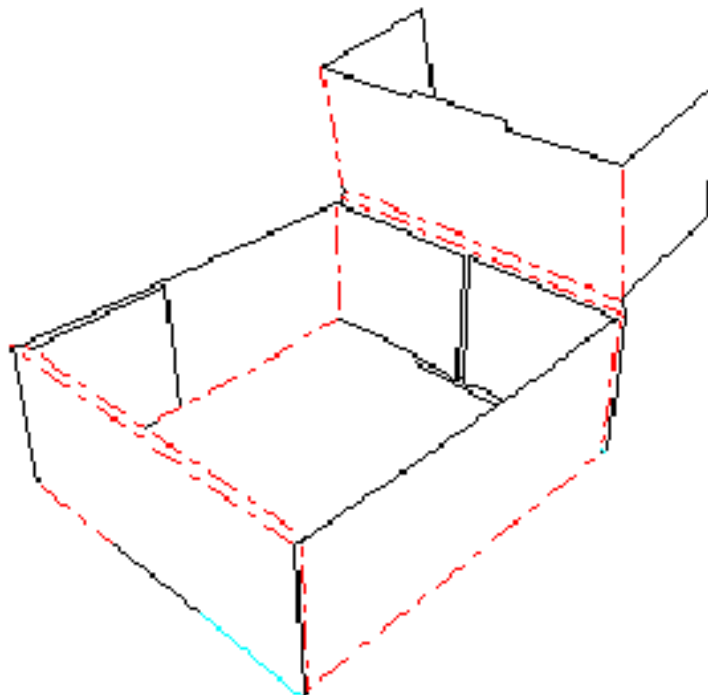


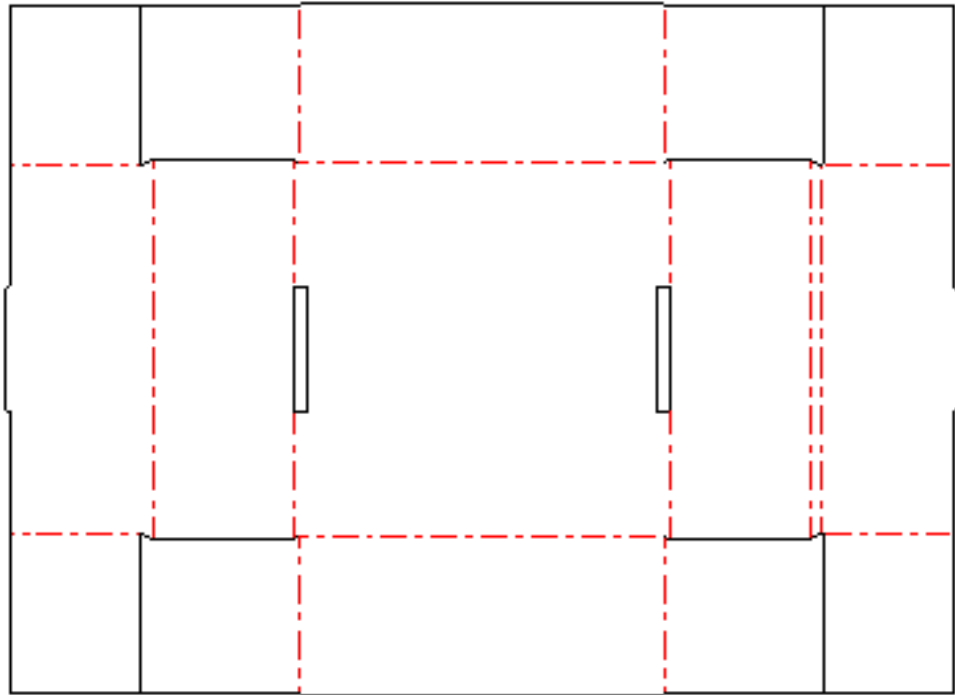
F0423



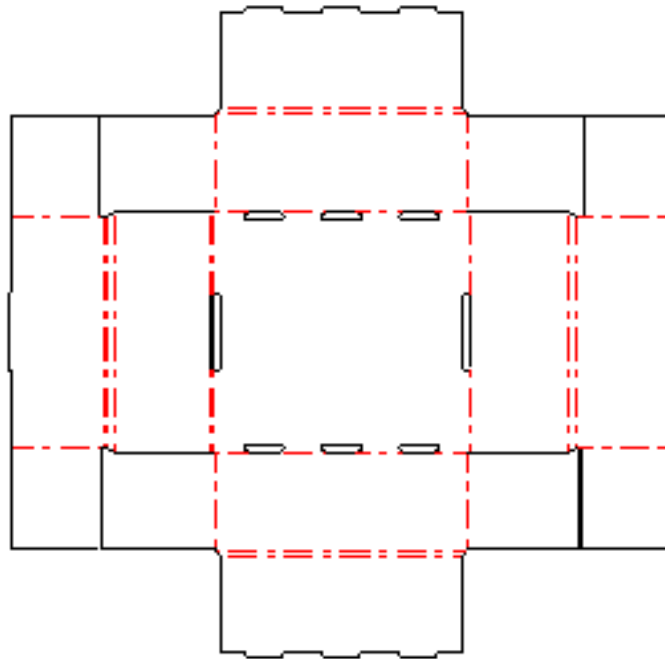
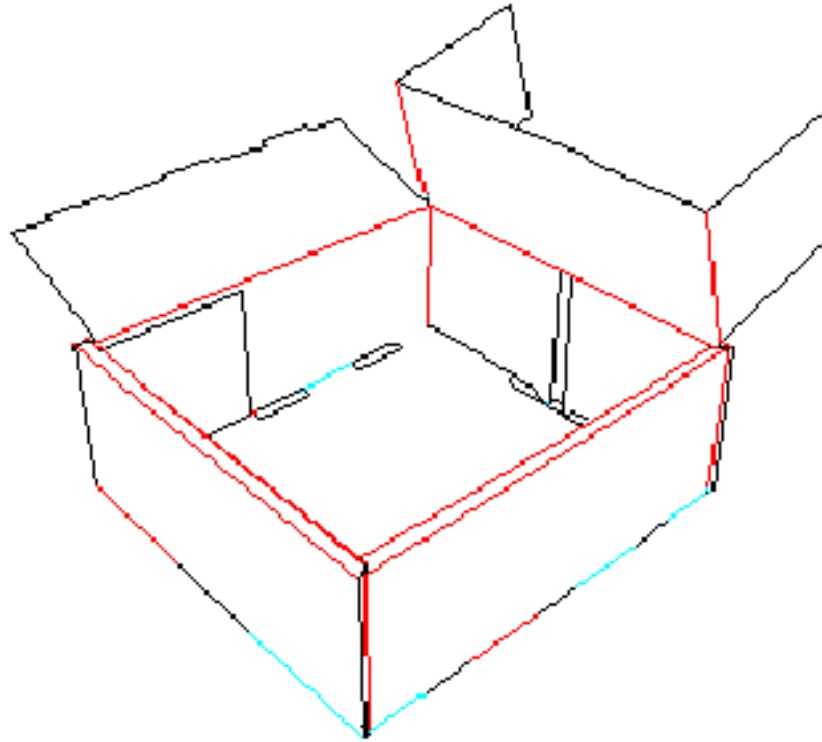


F0424

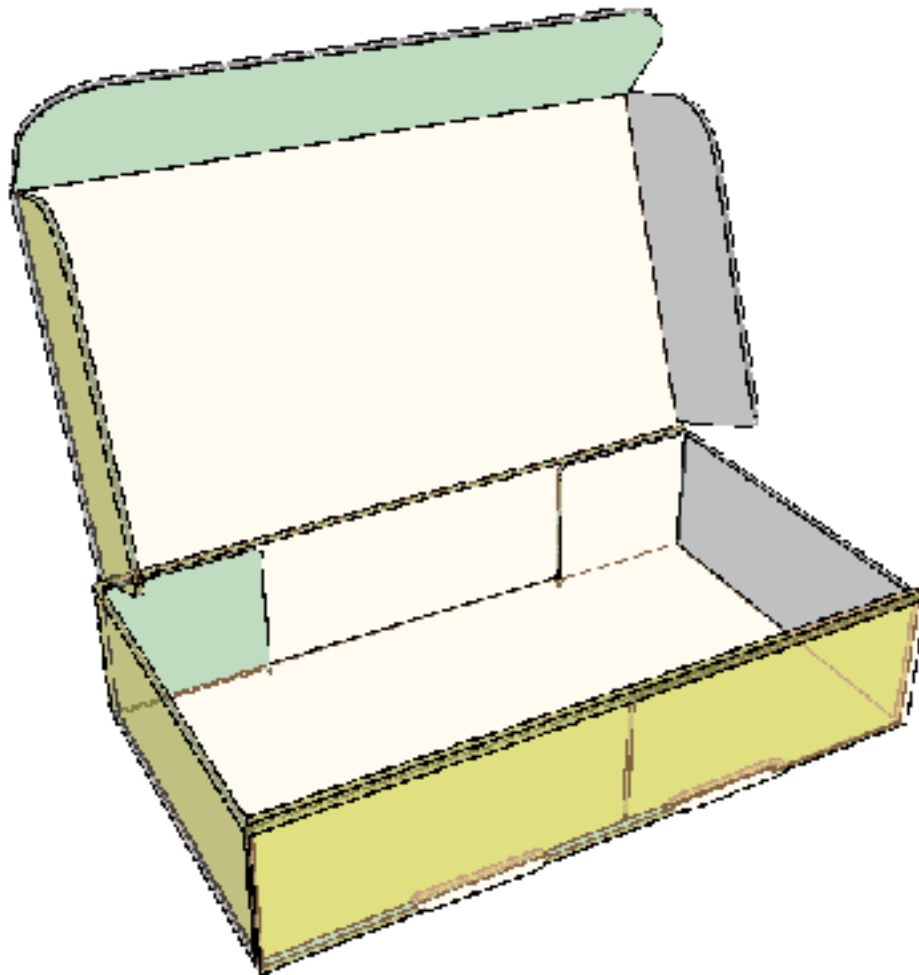


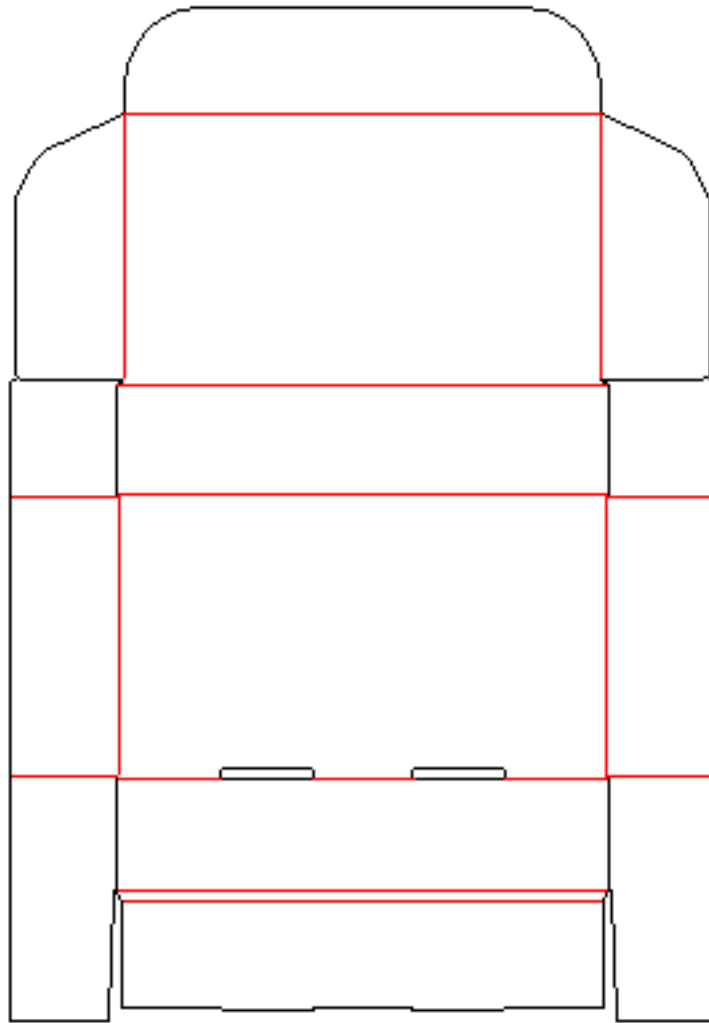


F0425

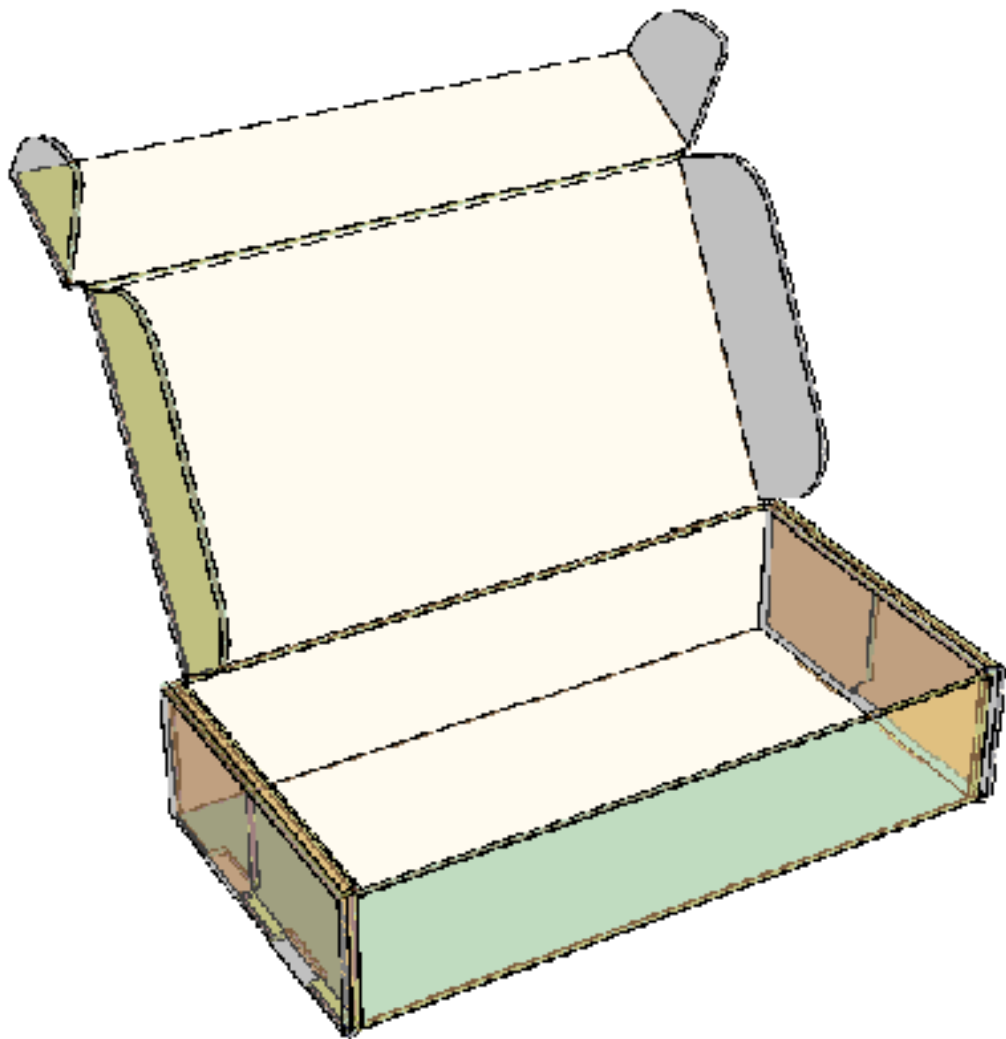


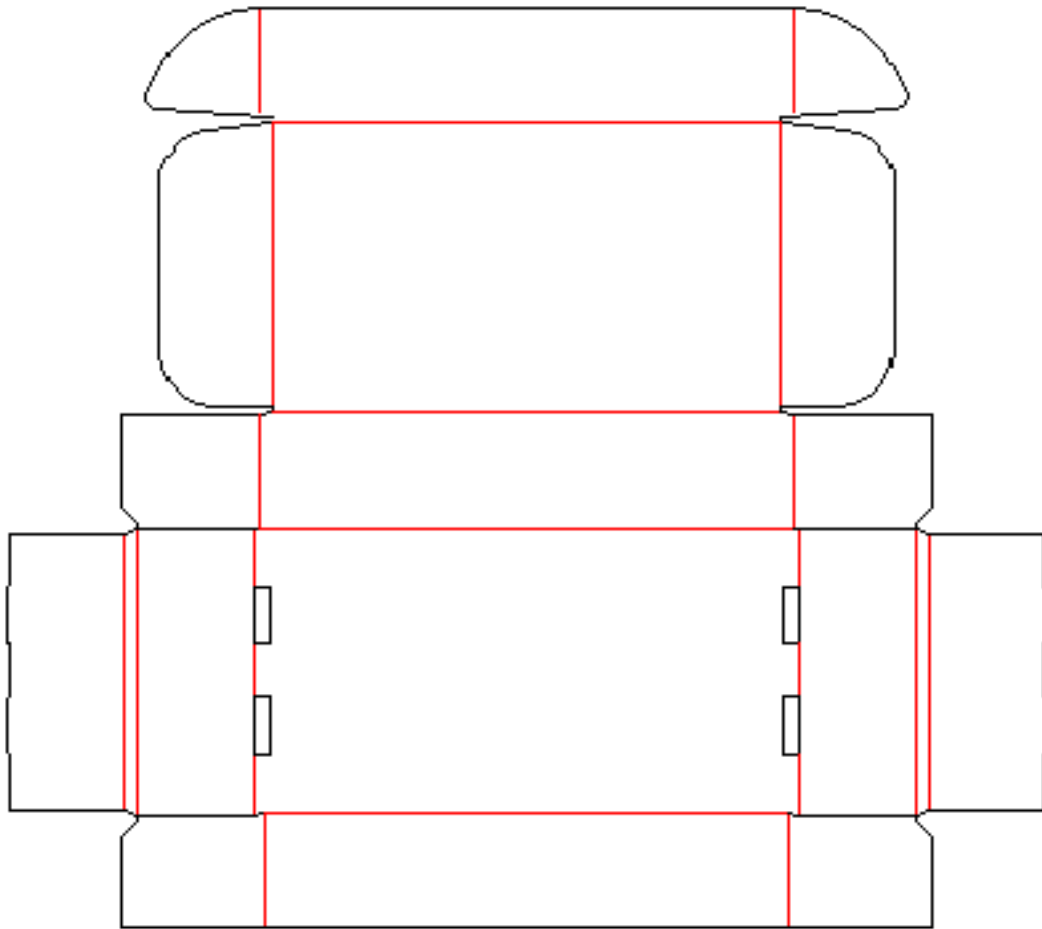
F0426



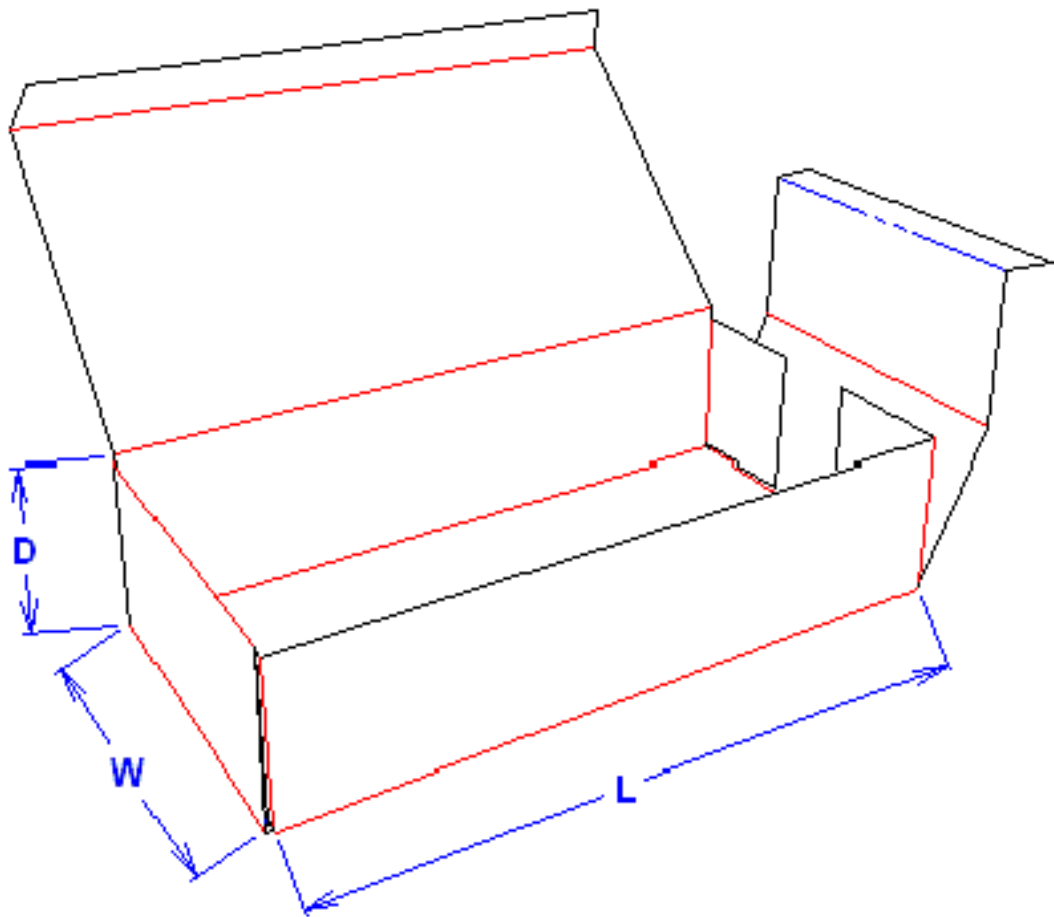


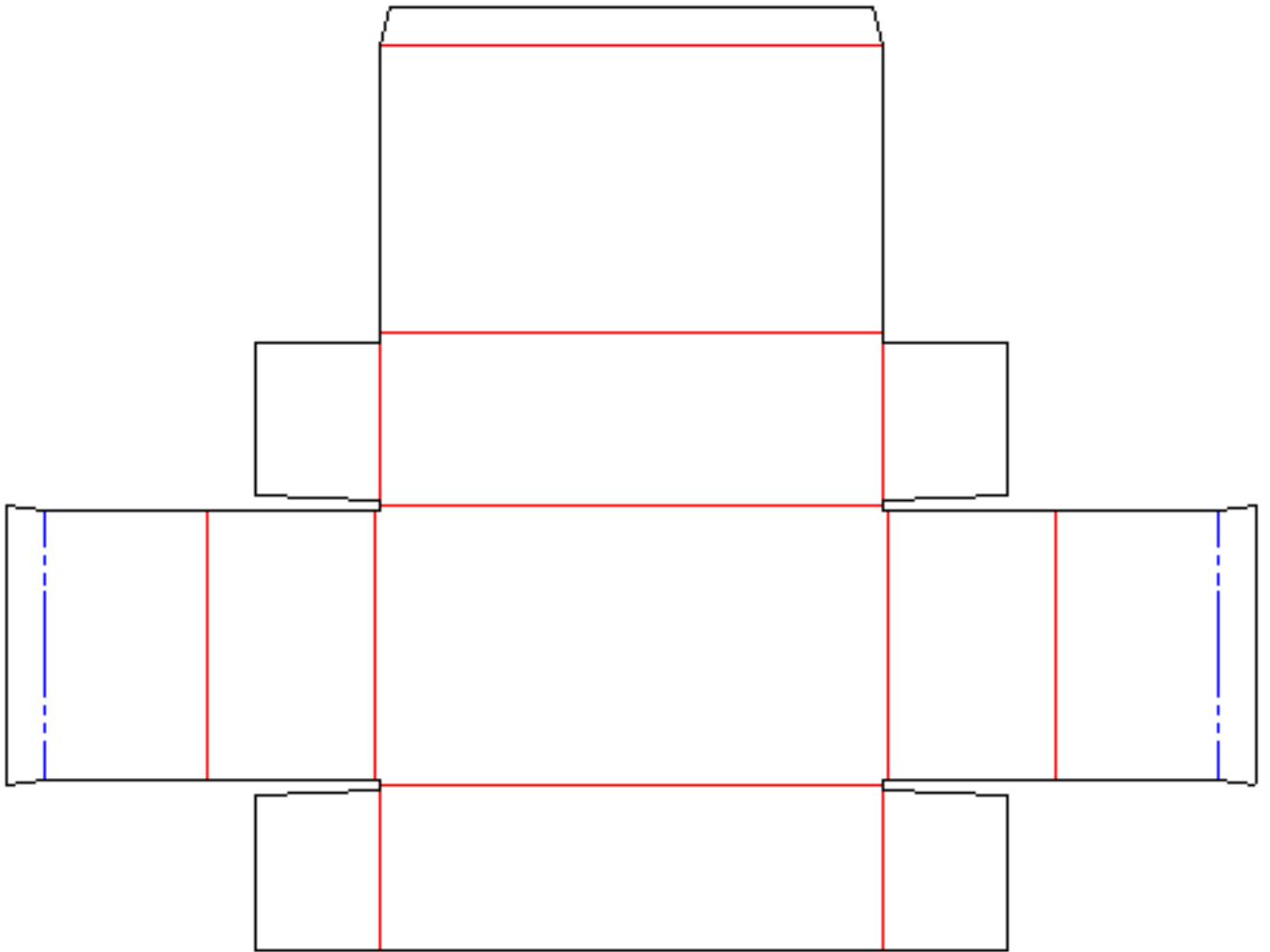
F0427



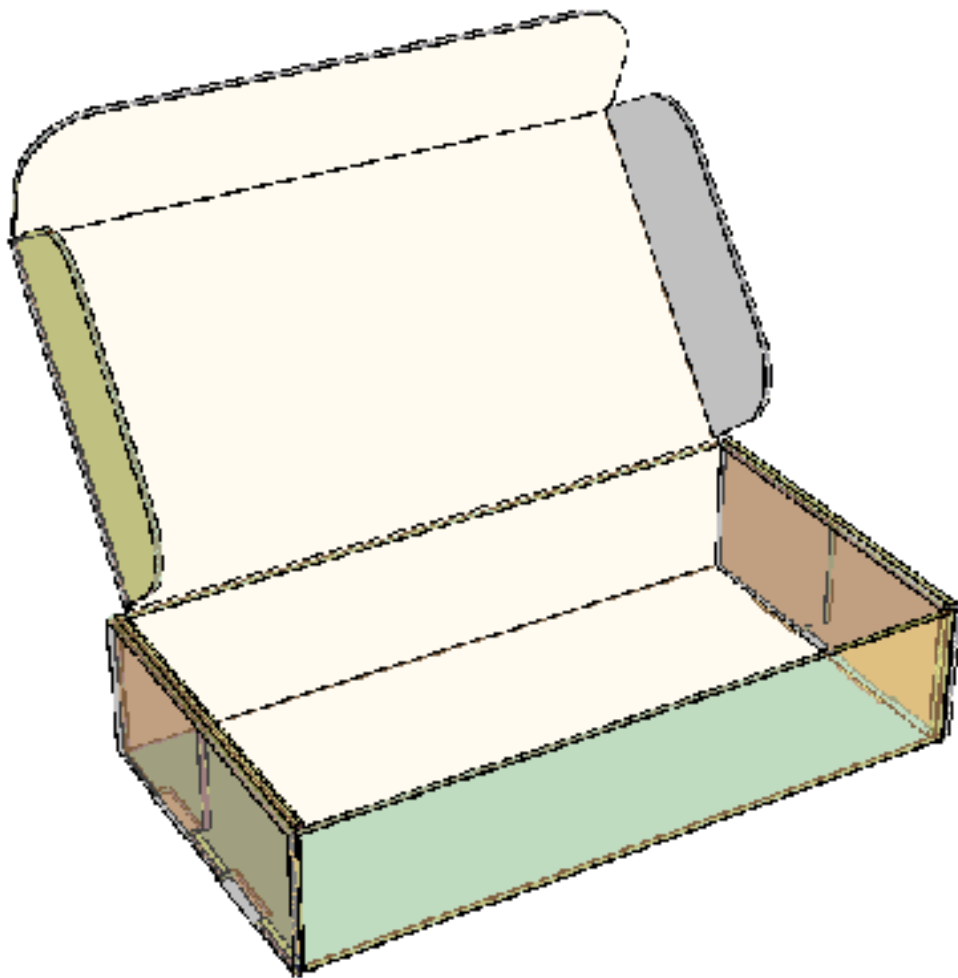


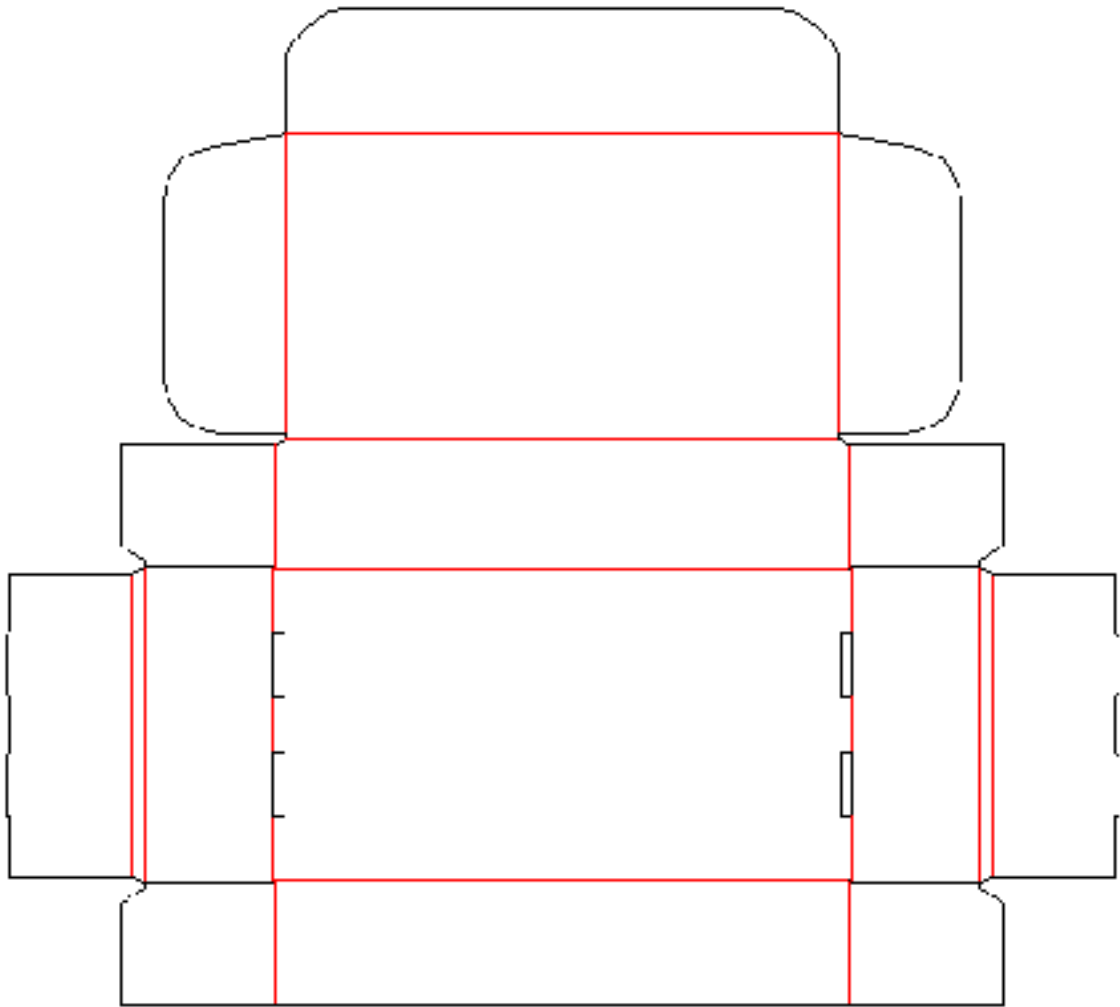
F0428



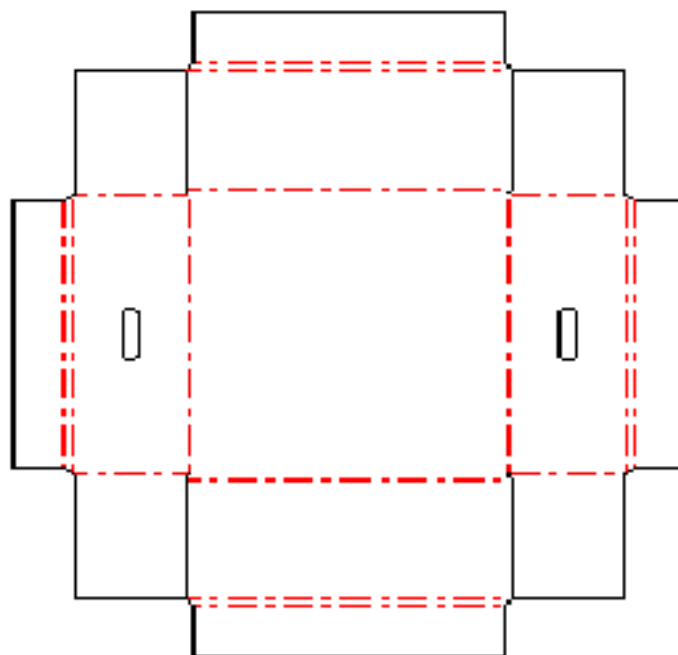
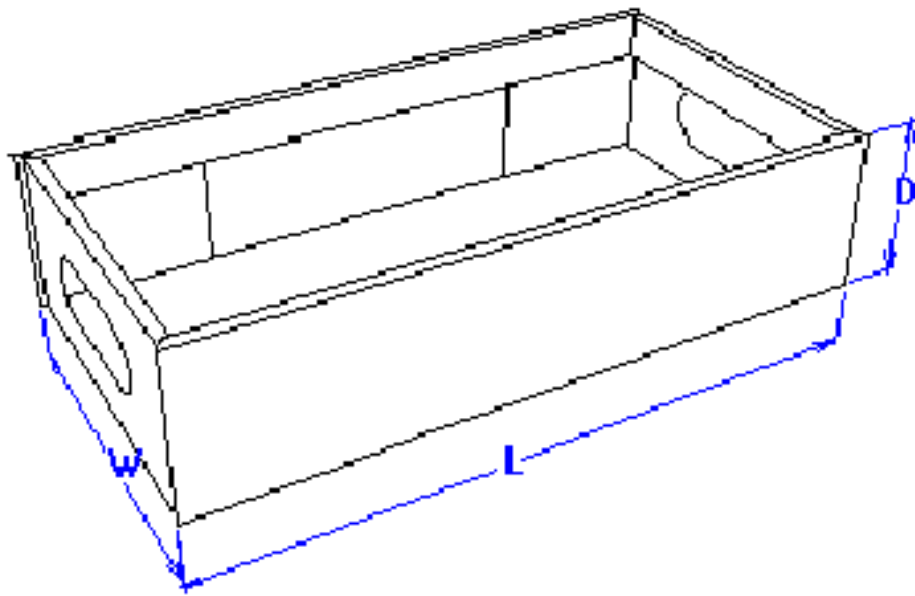


F0429

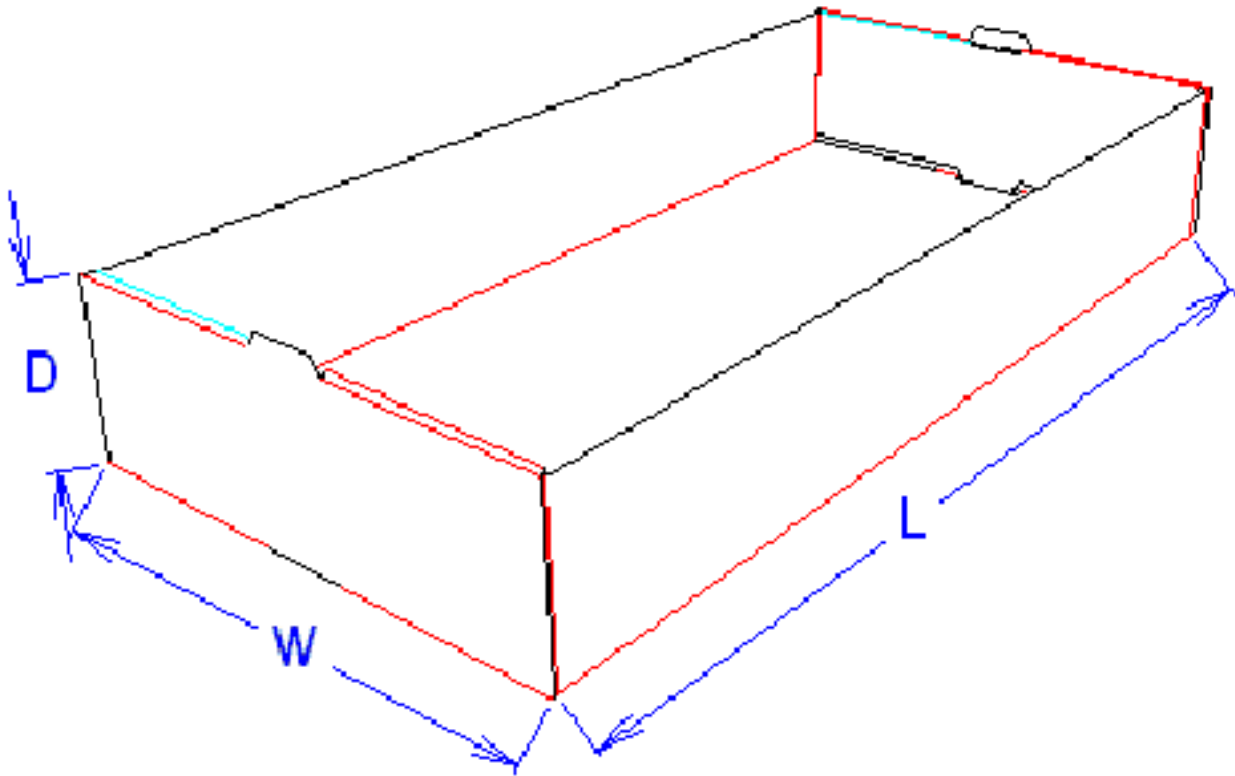


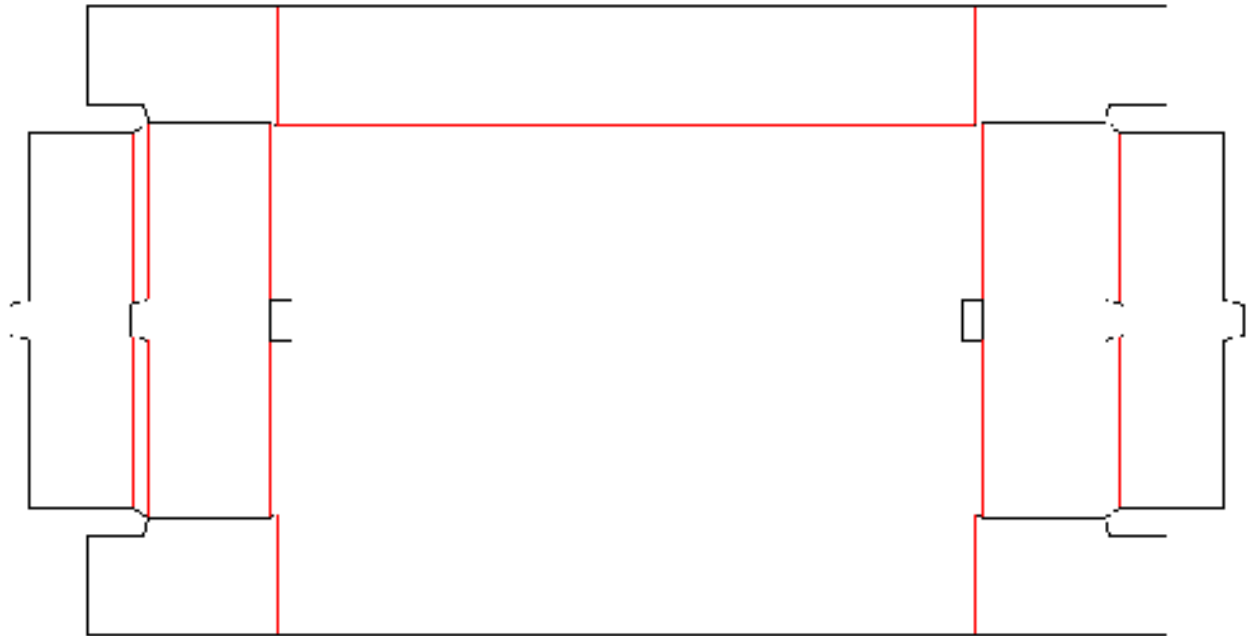


F0430

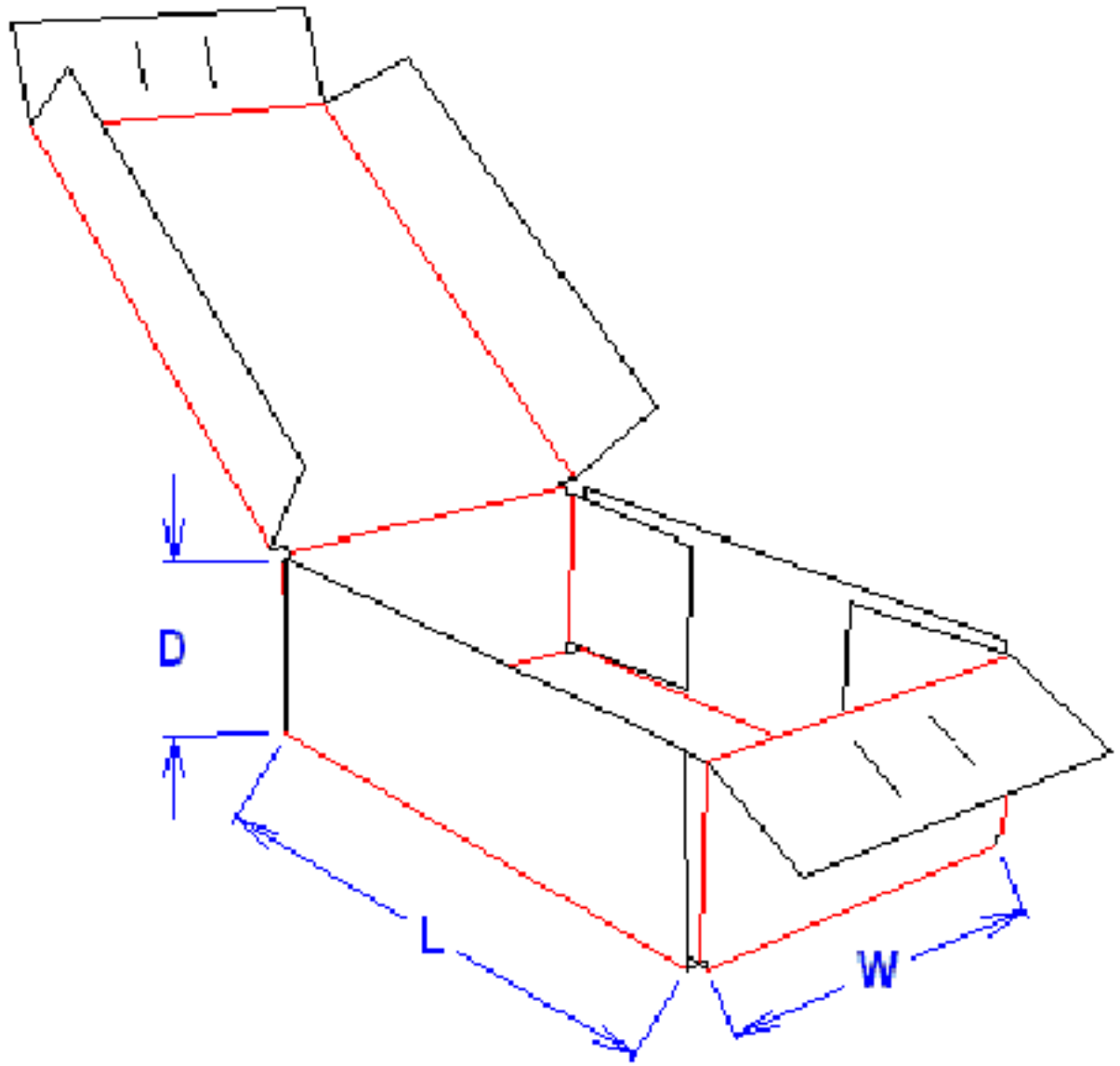


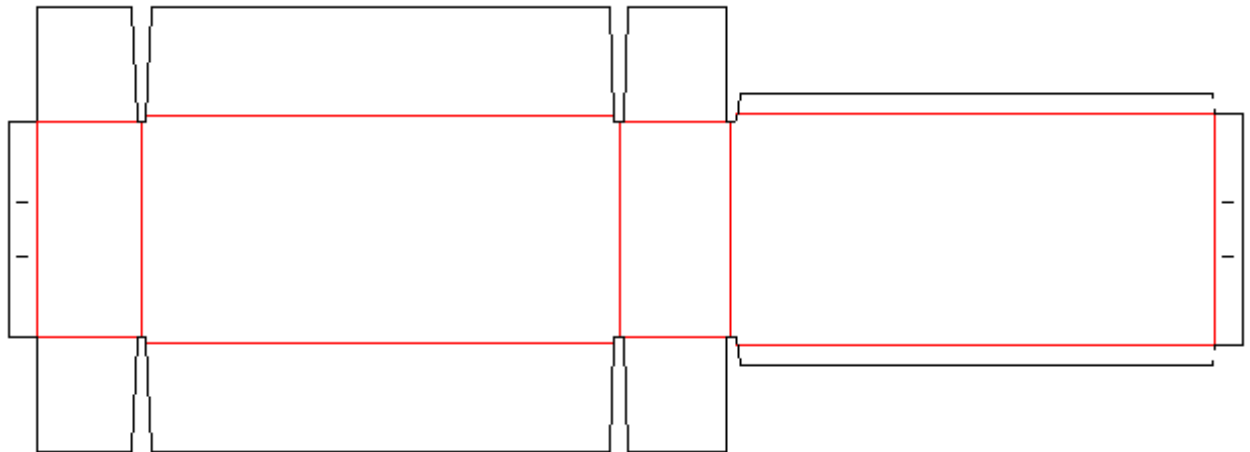
F0435



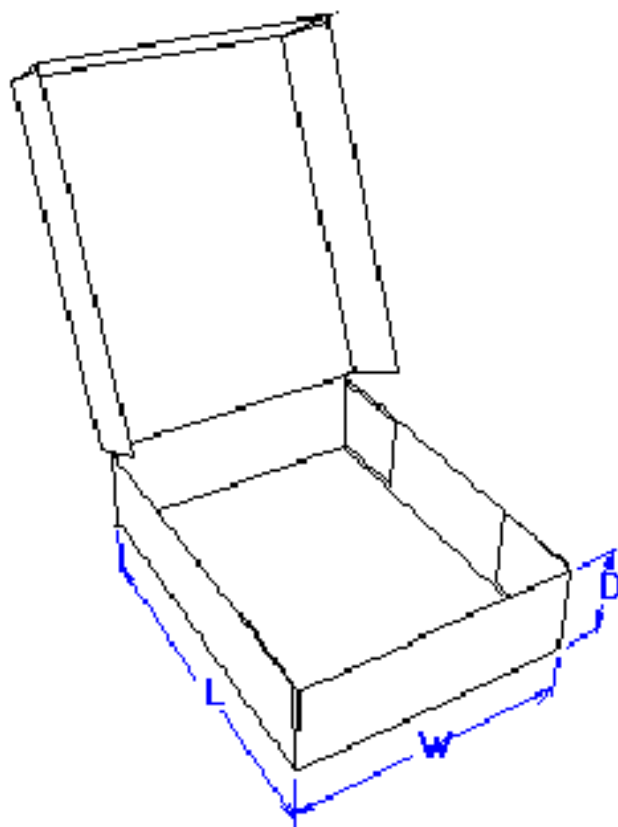


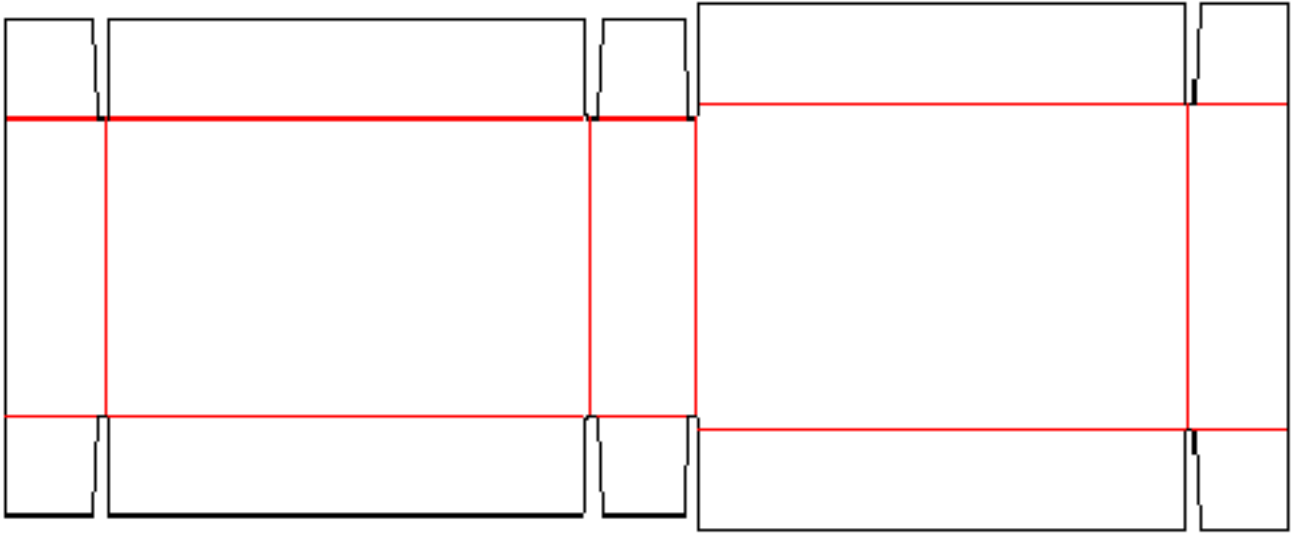
F0440



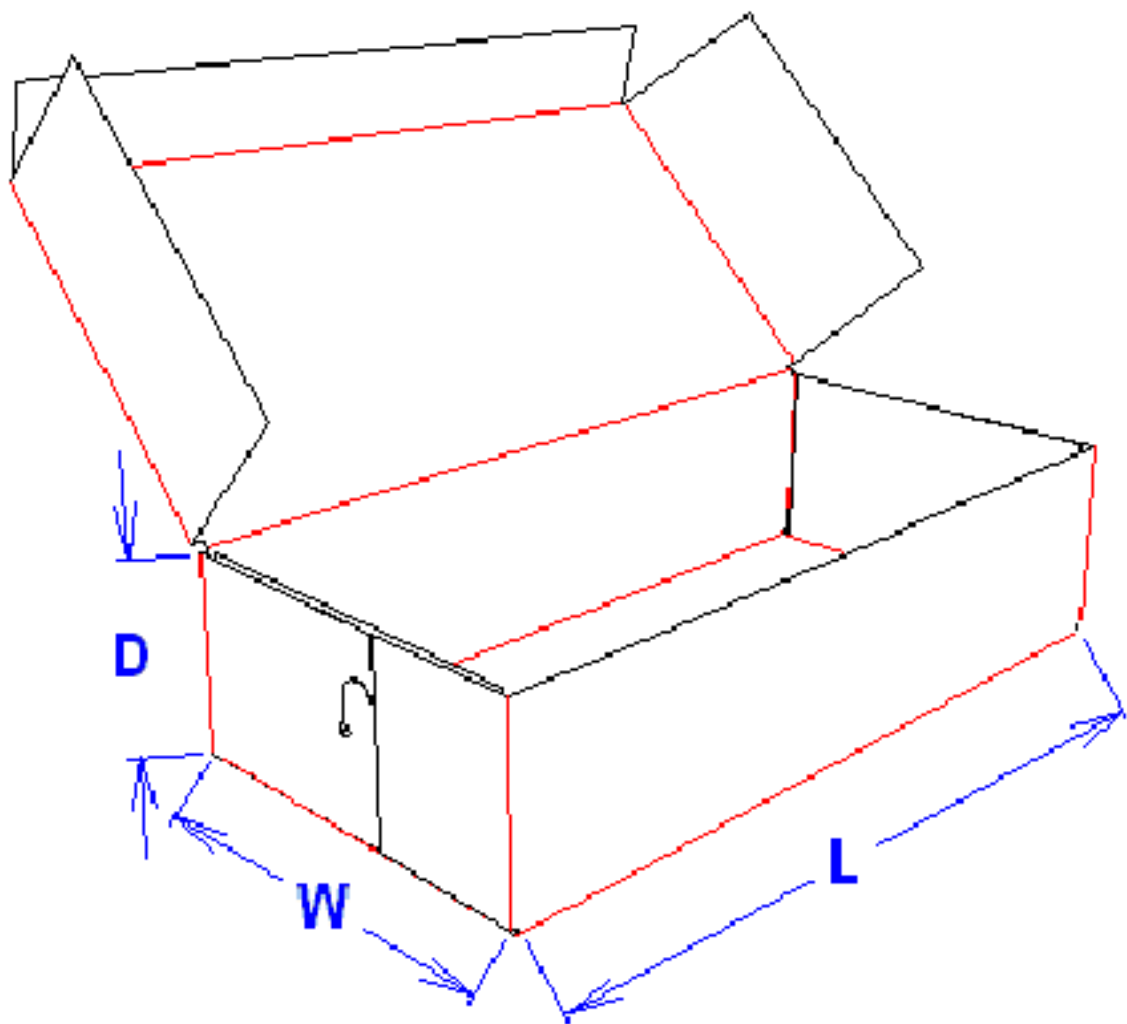


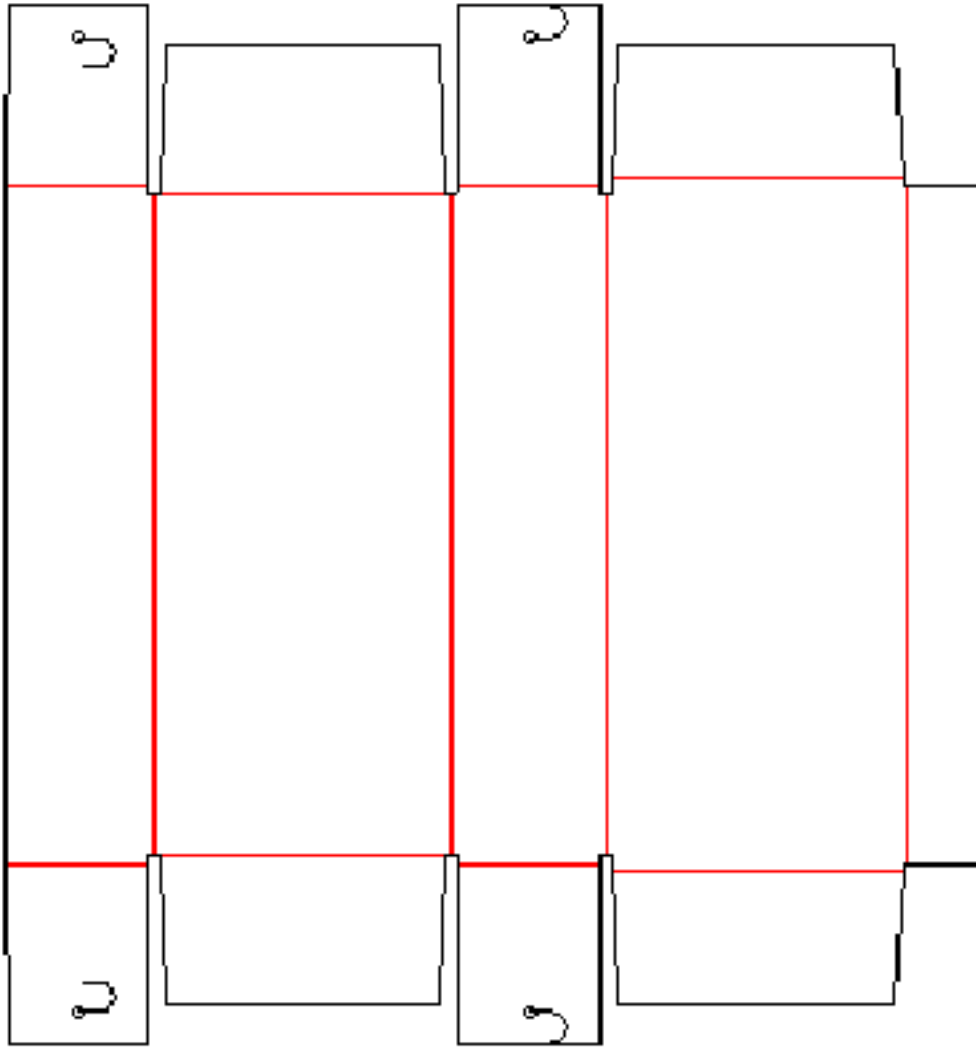
F0441



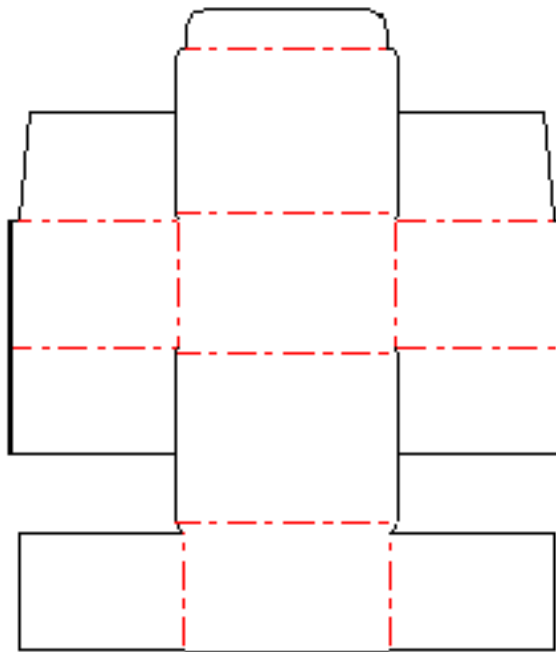
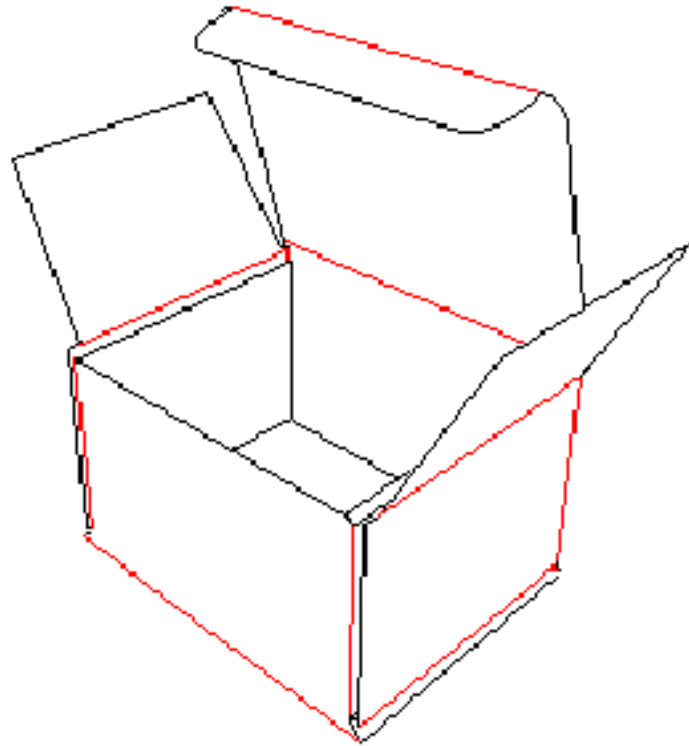


F0442

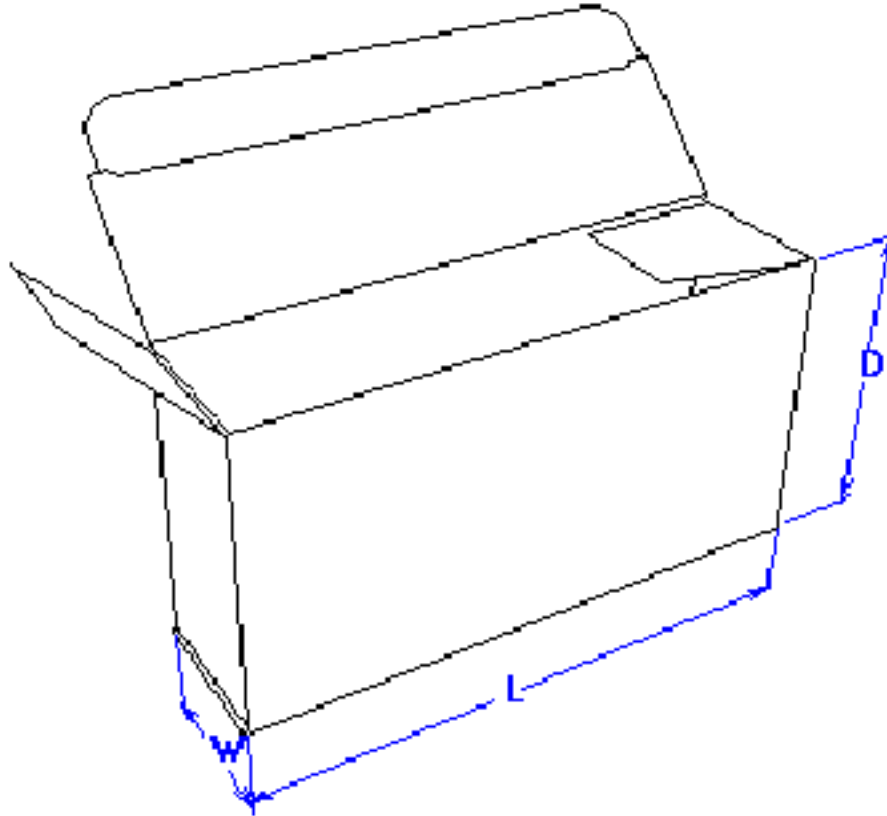


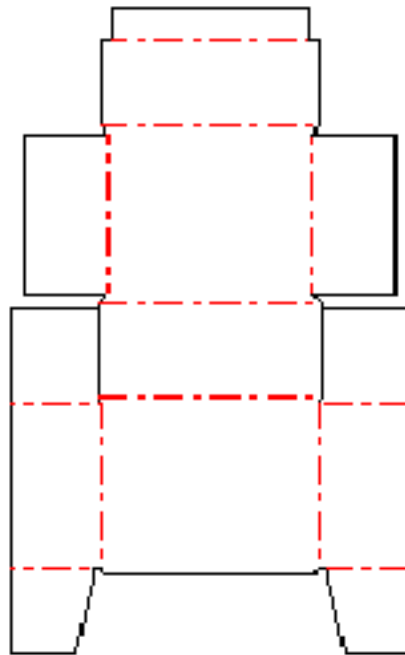


F0443

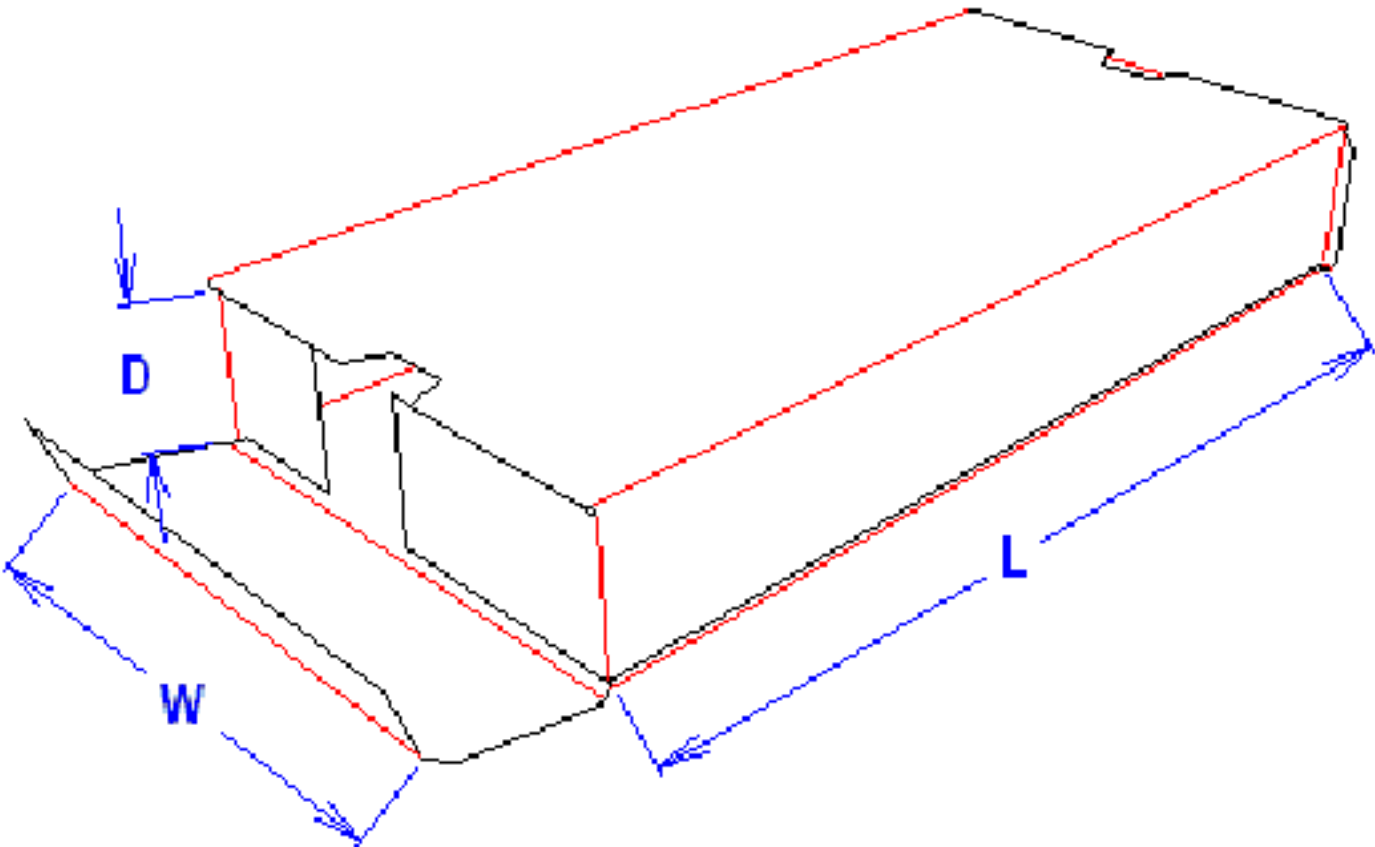


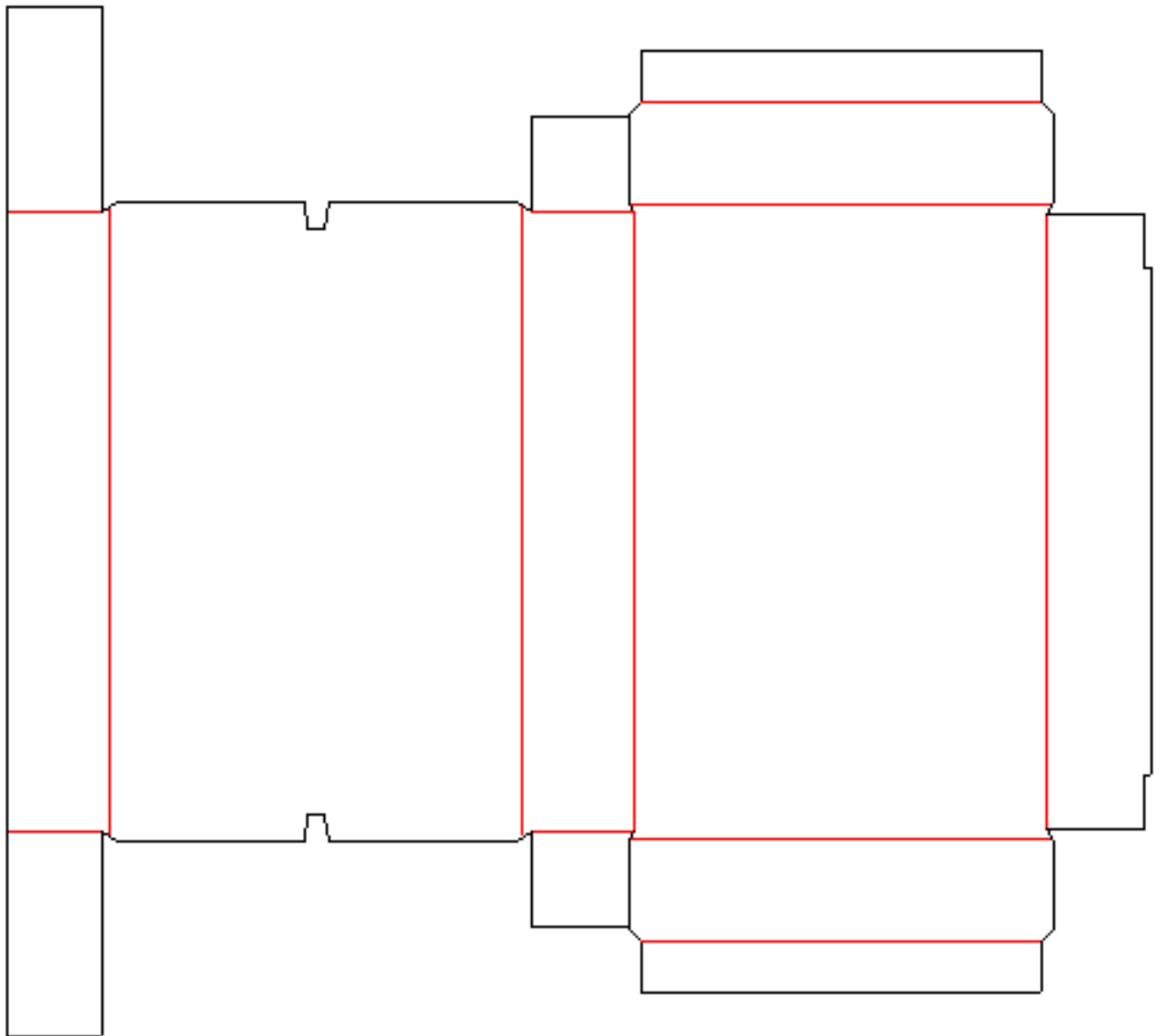
F0444



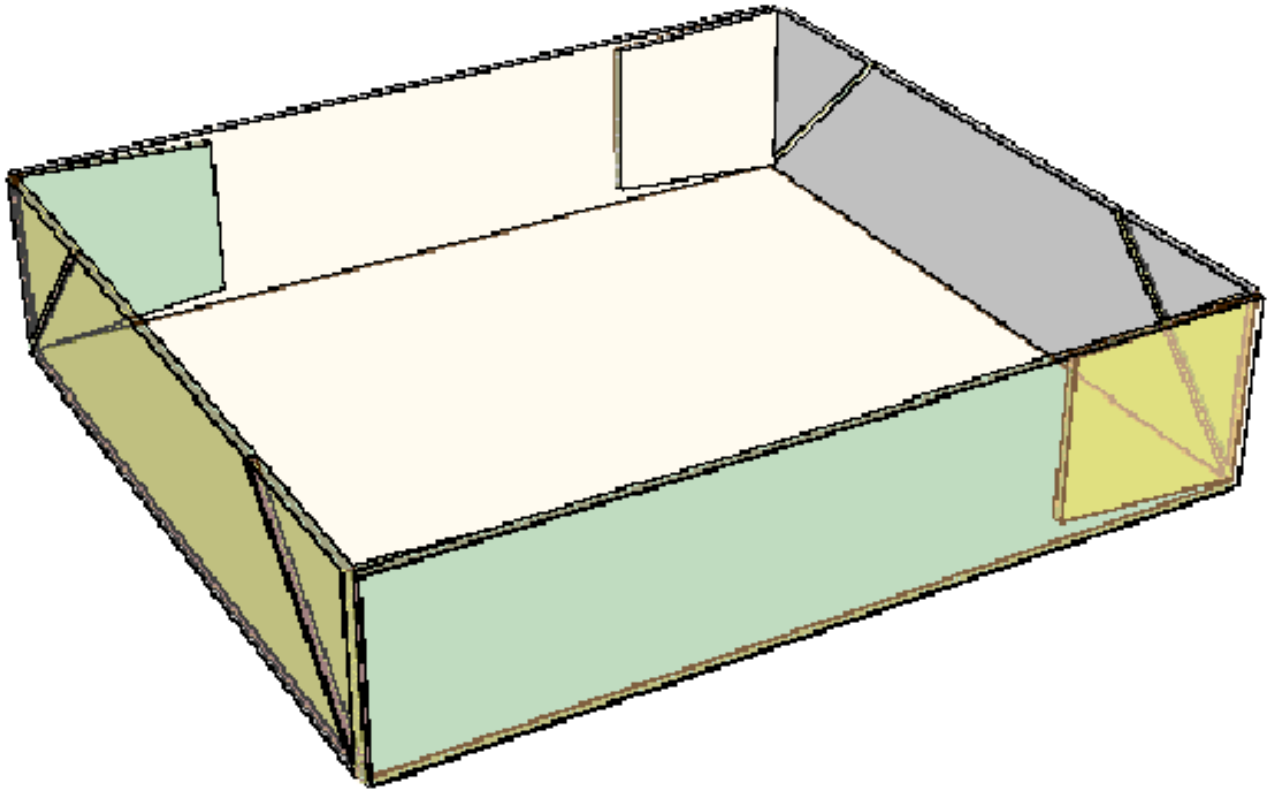


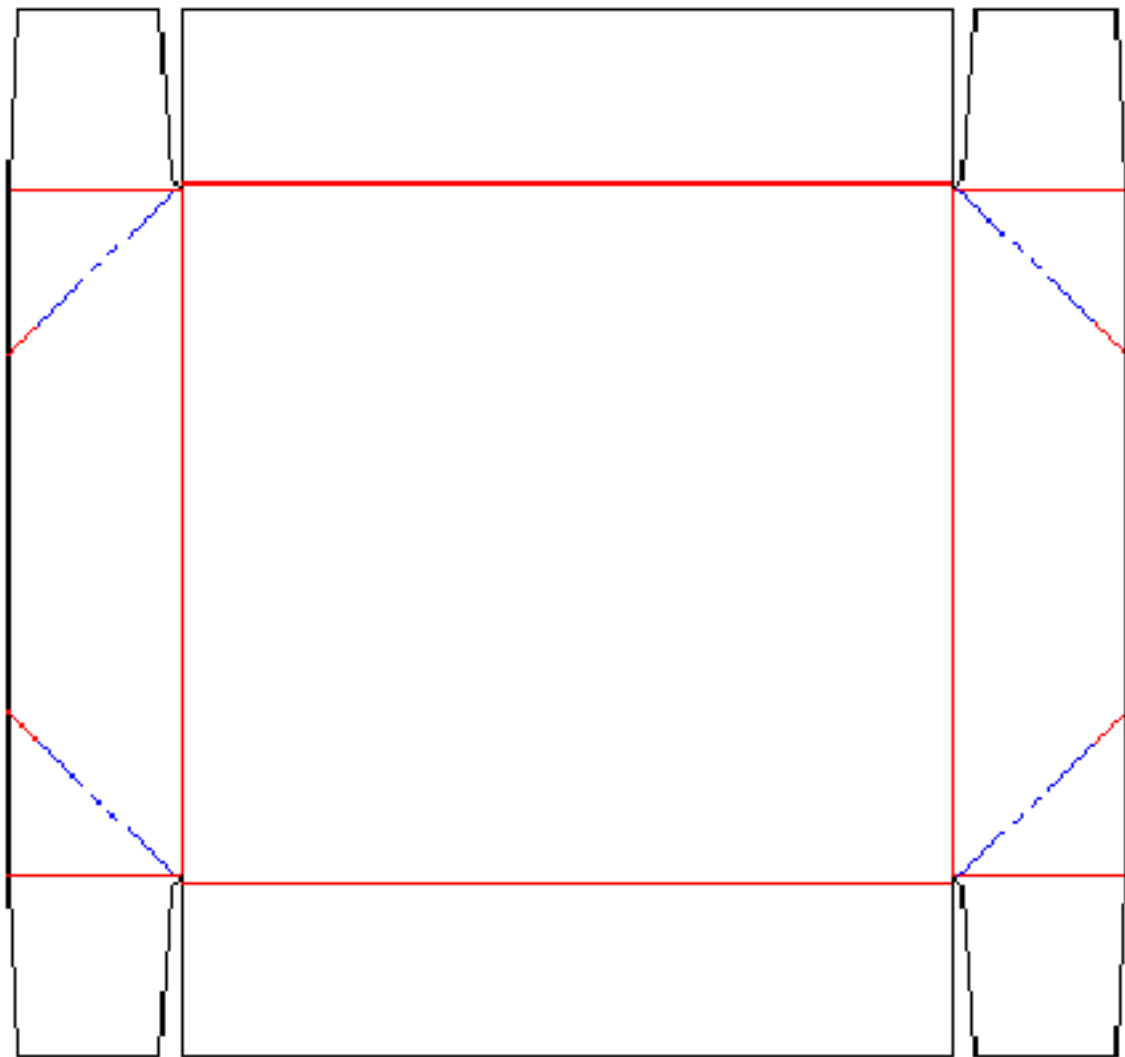
F0447



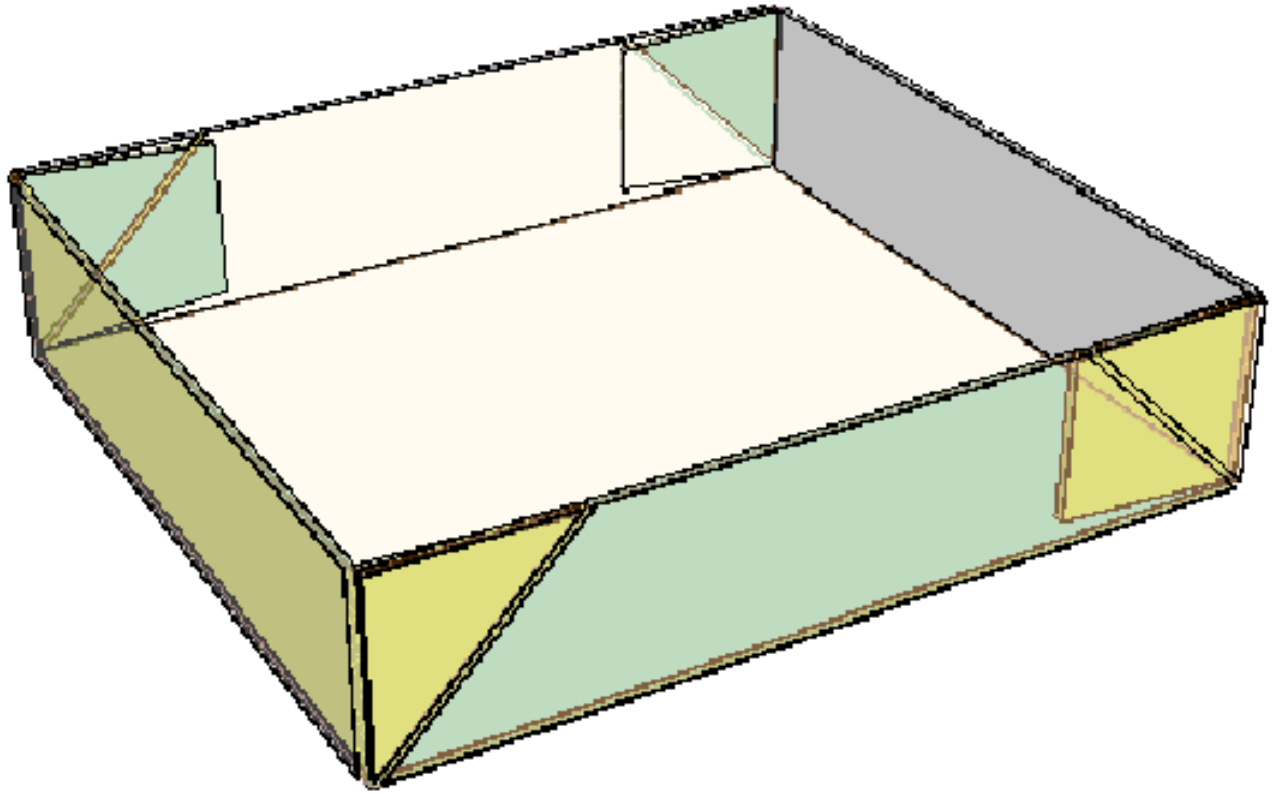


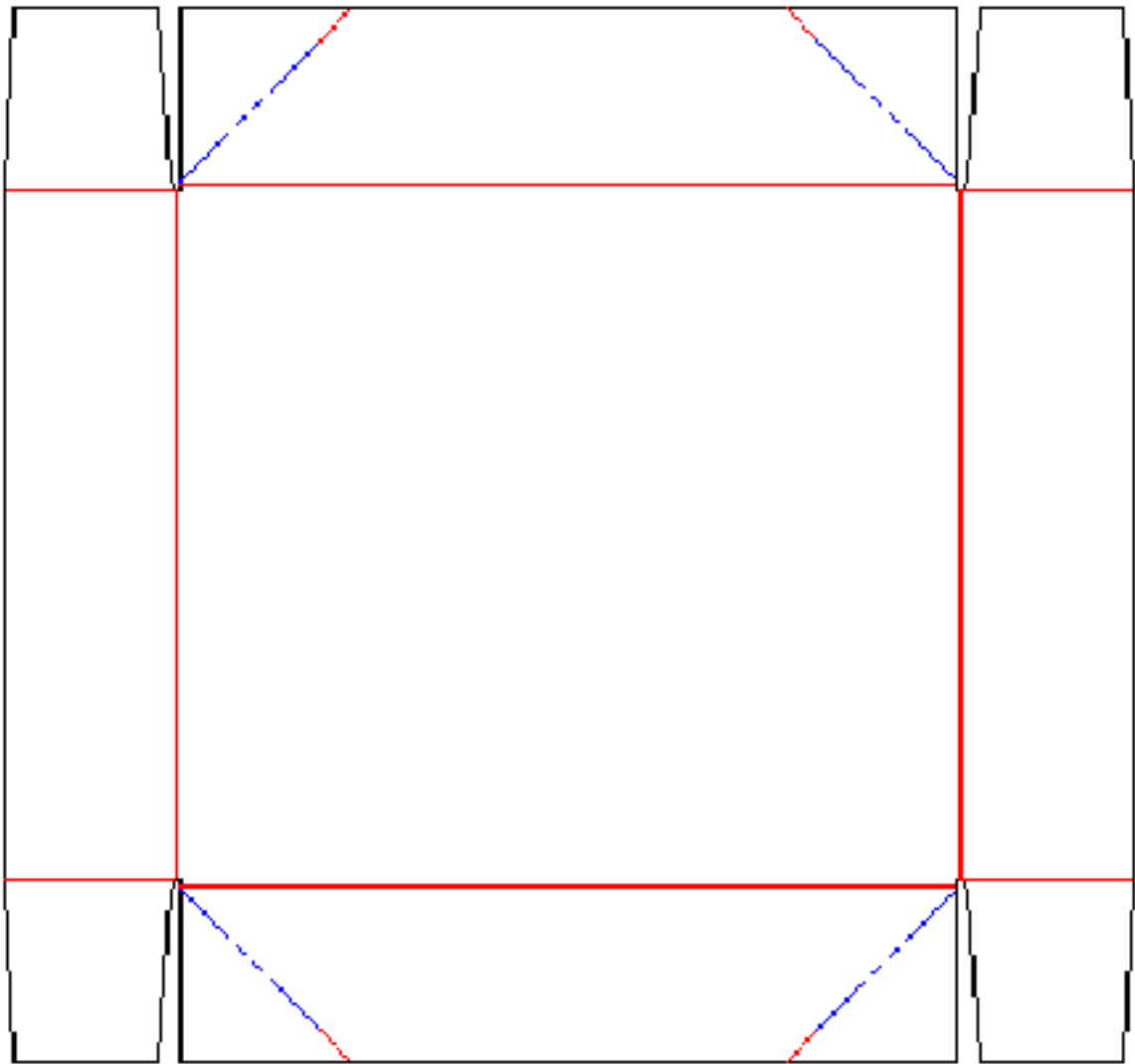
F0450



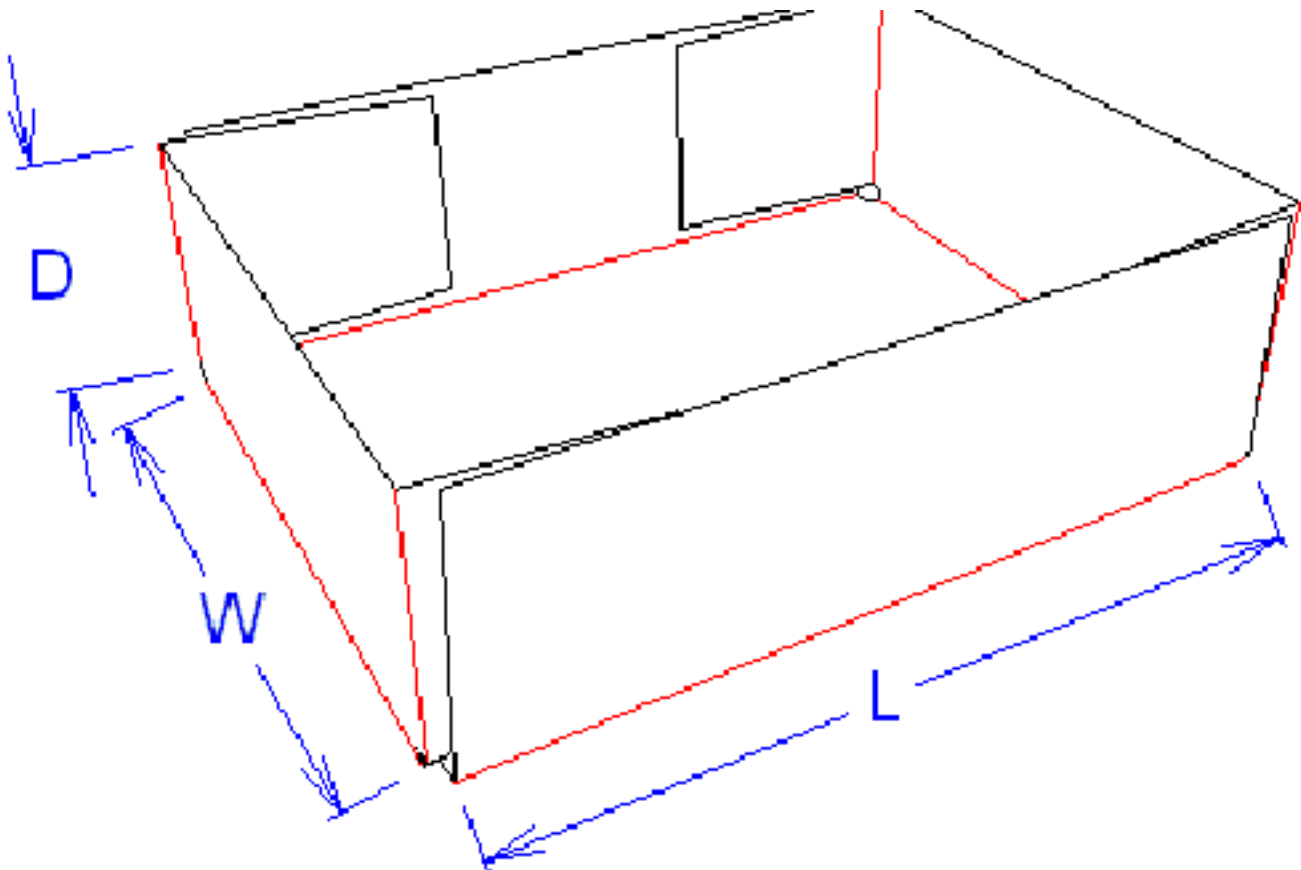


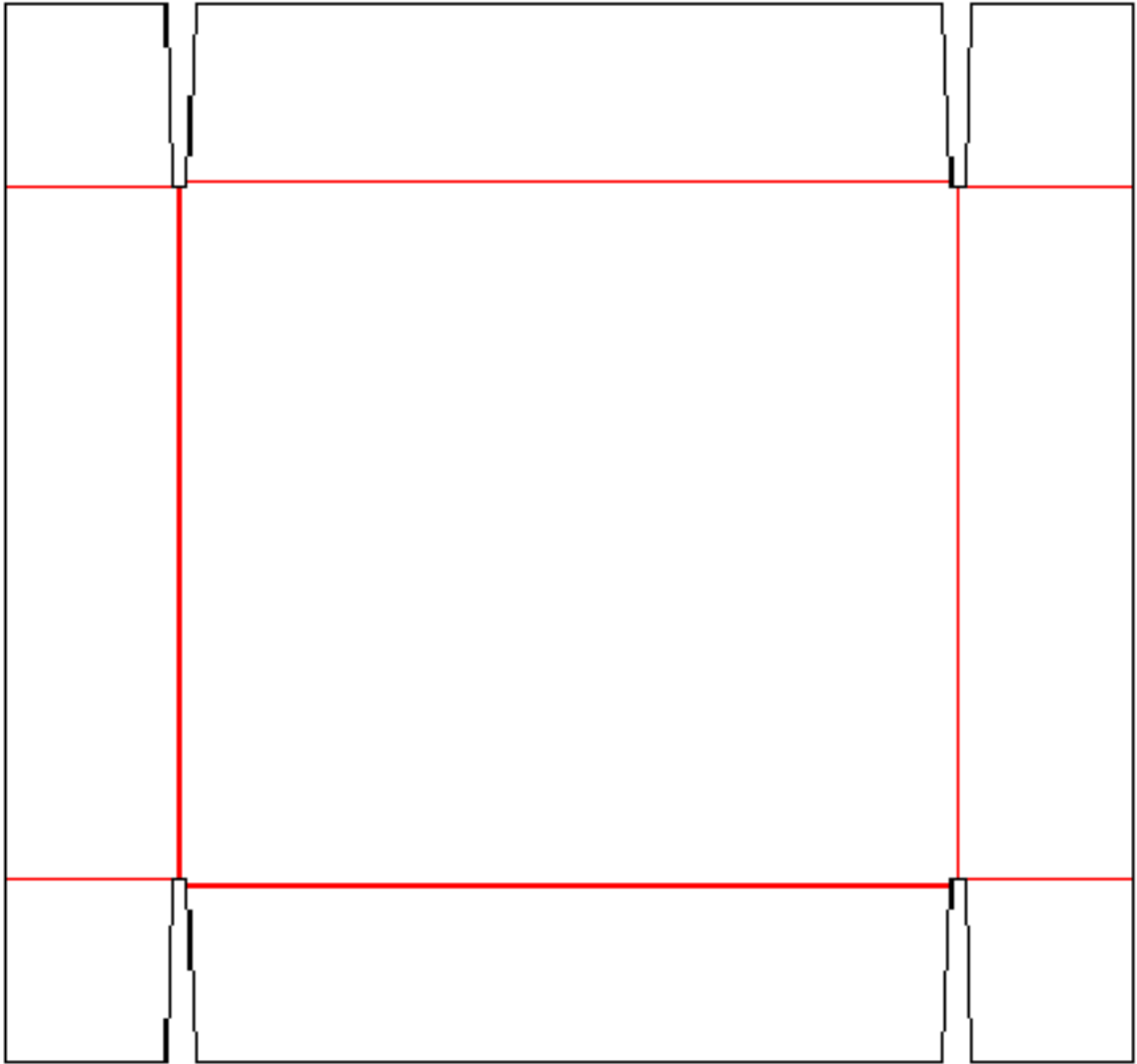
F0451



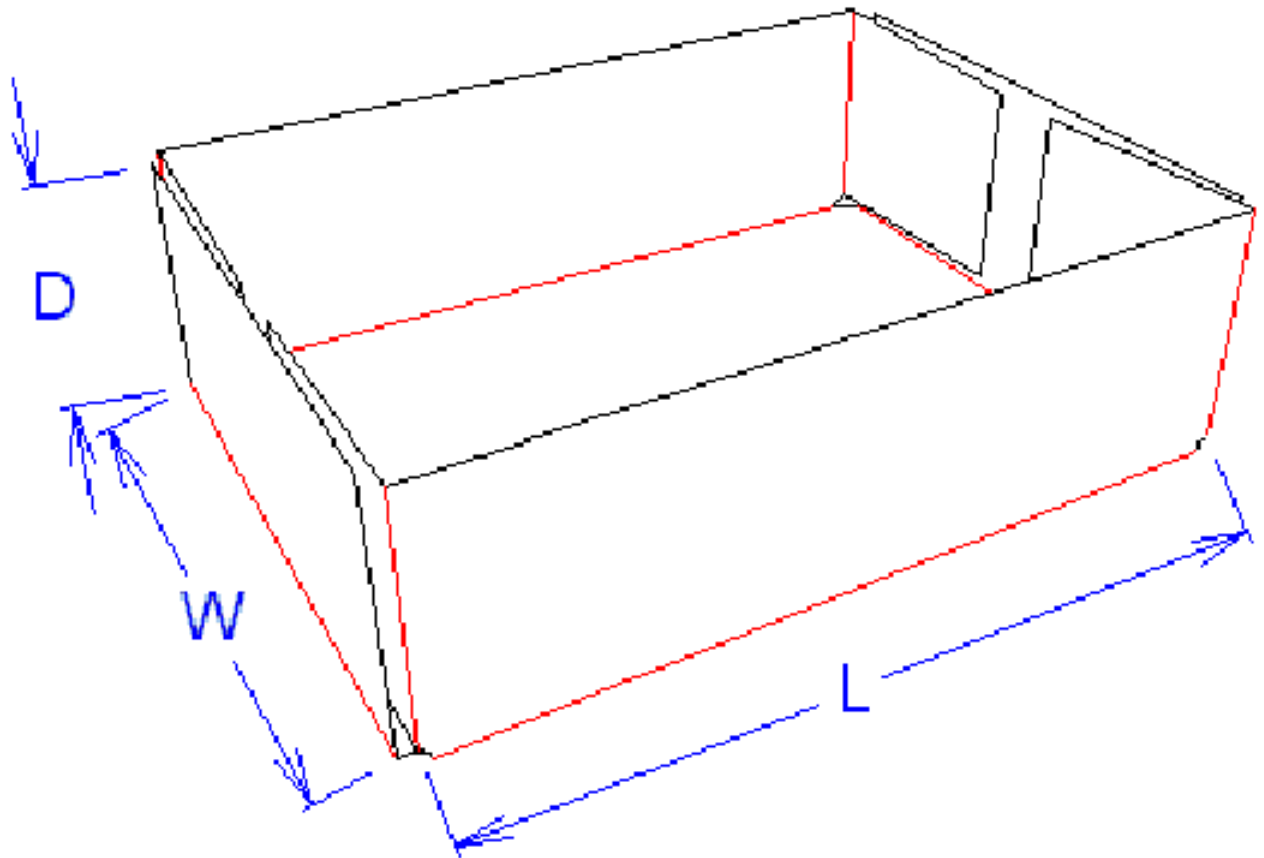


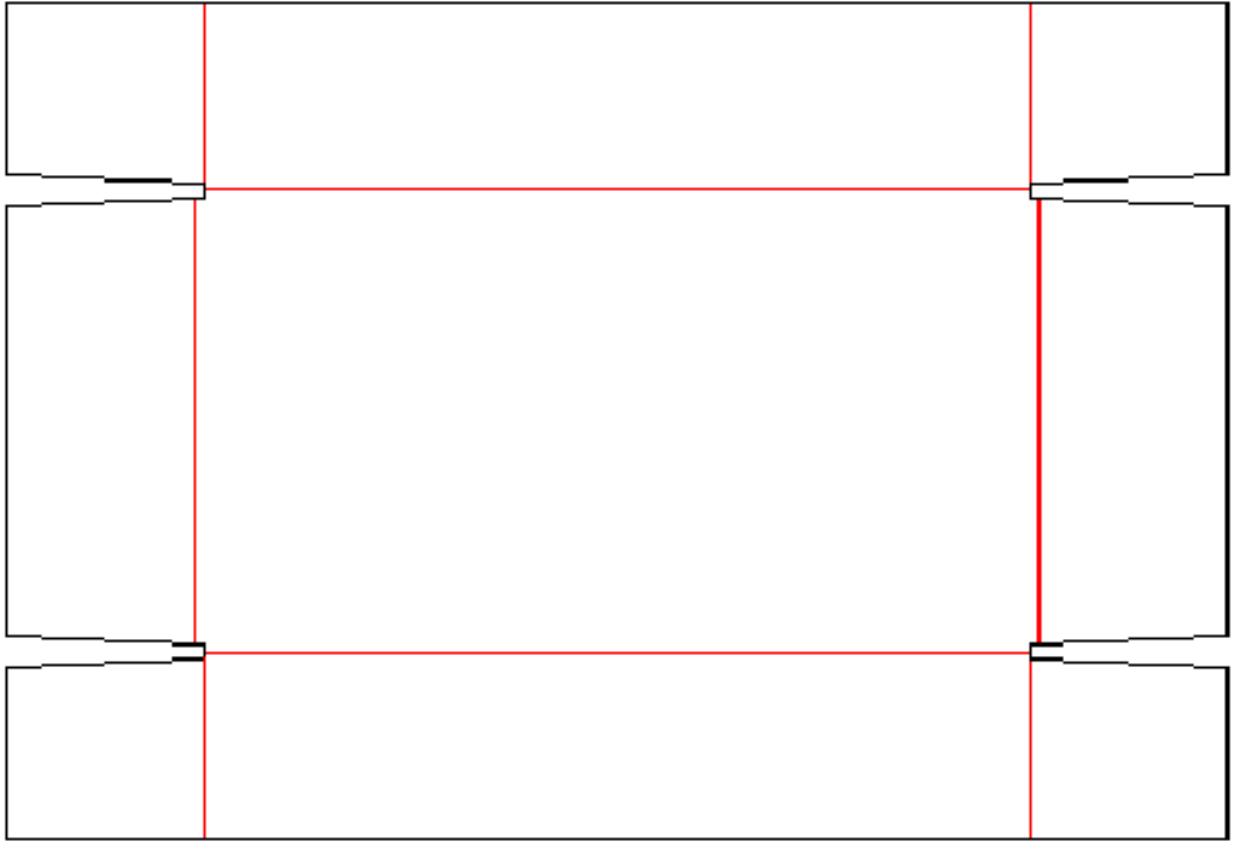
F0452



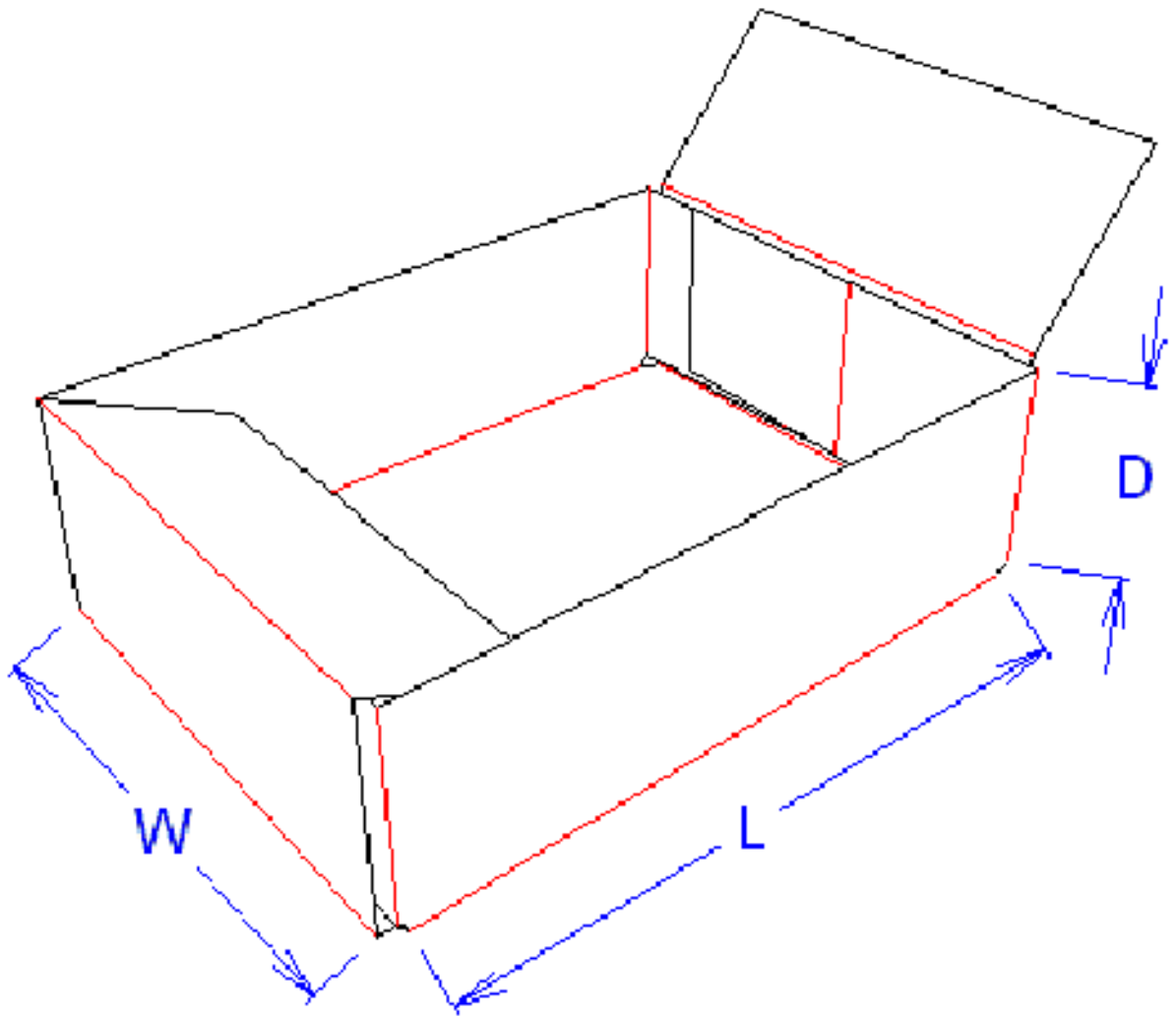


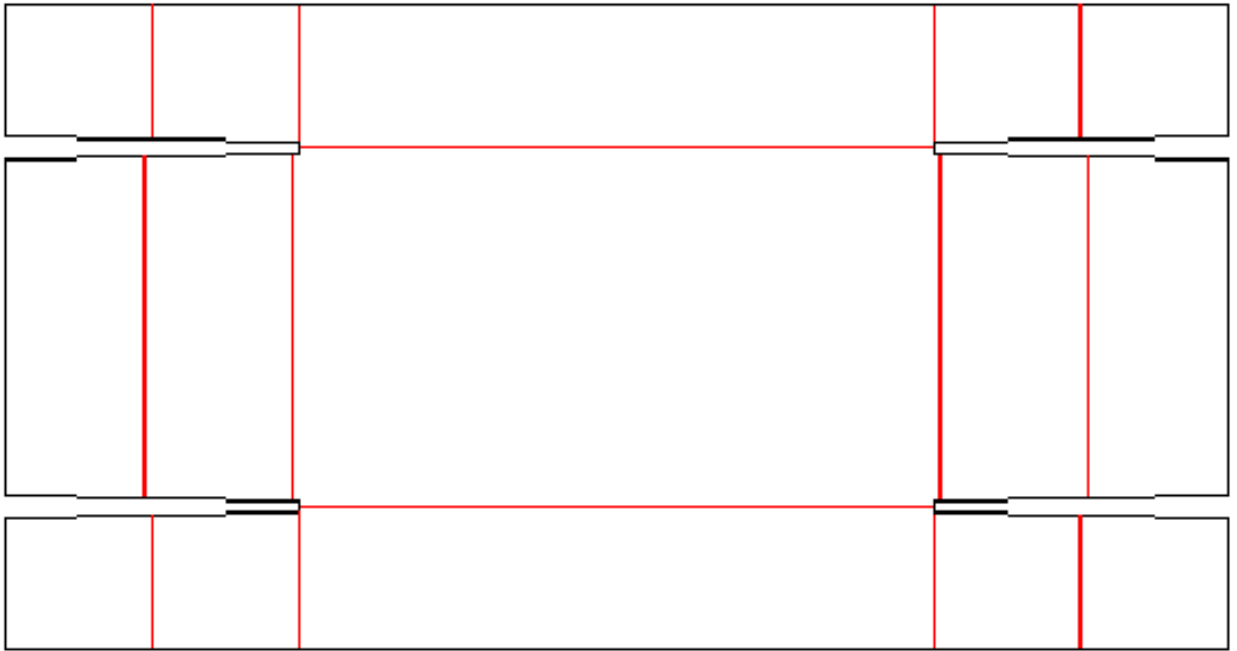
F0453



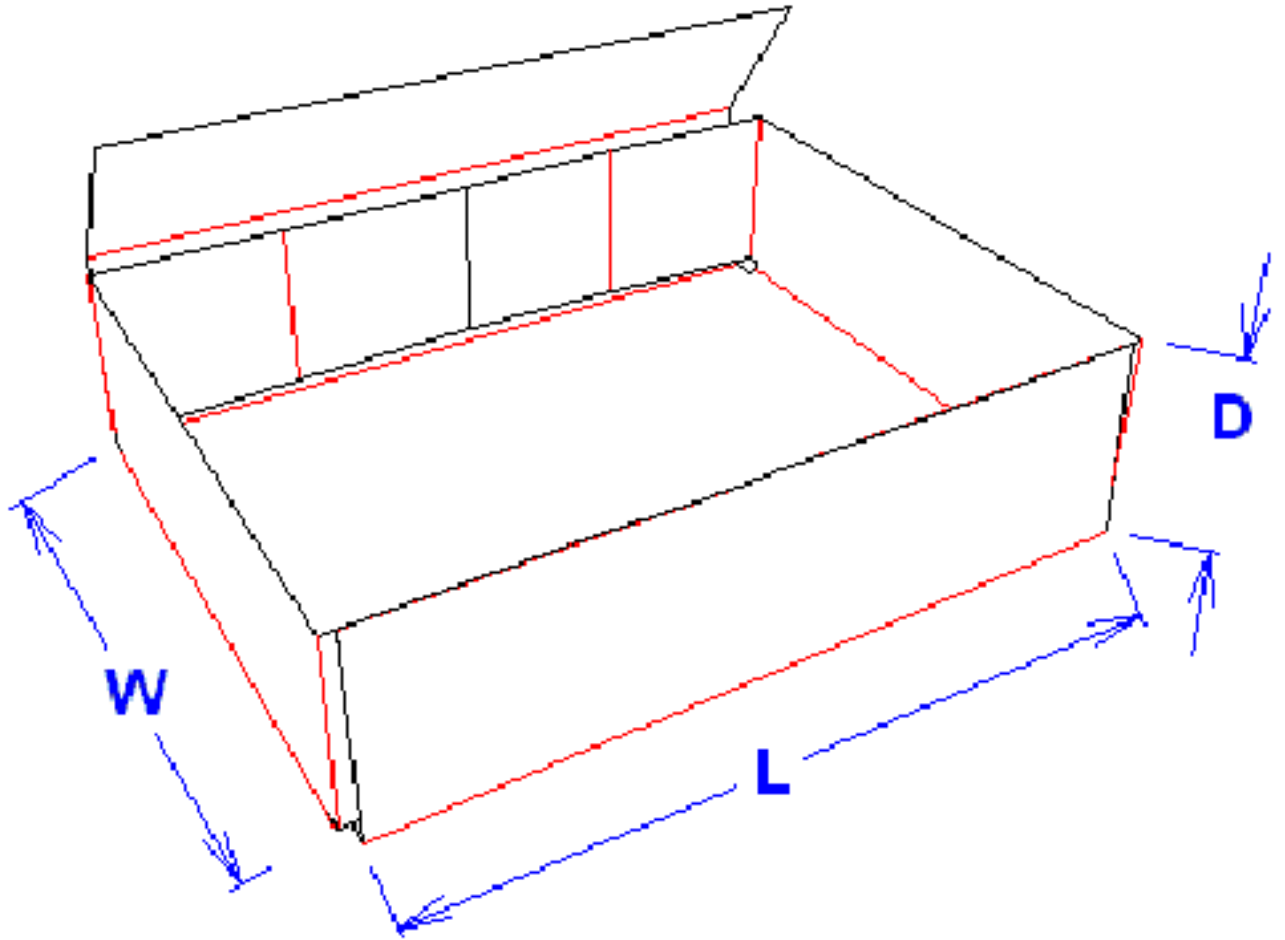


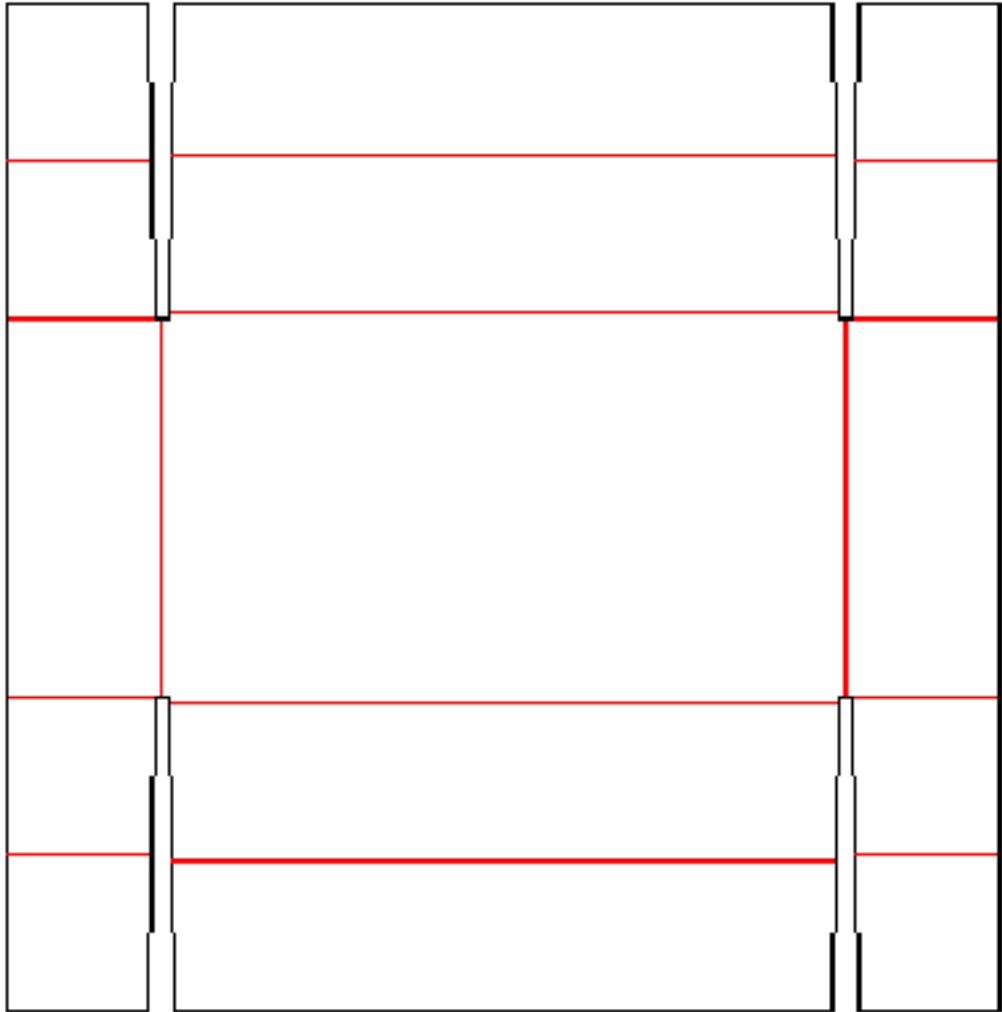
F0454



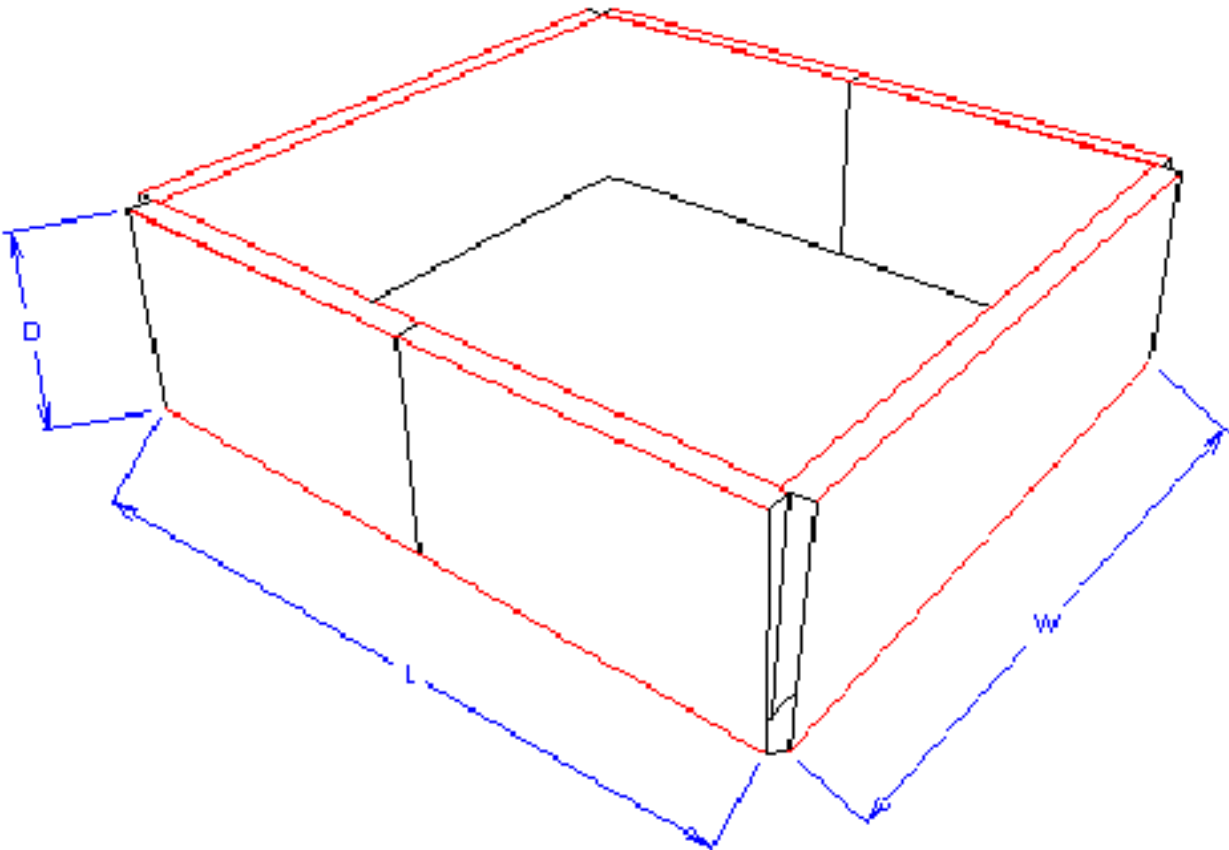


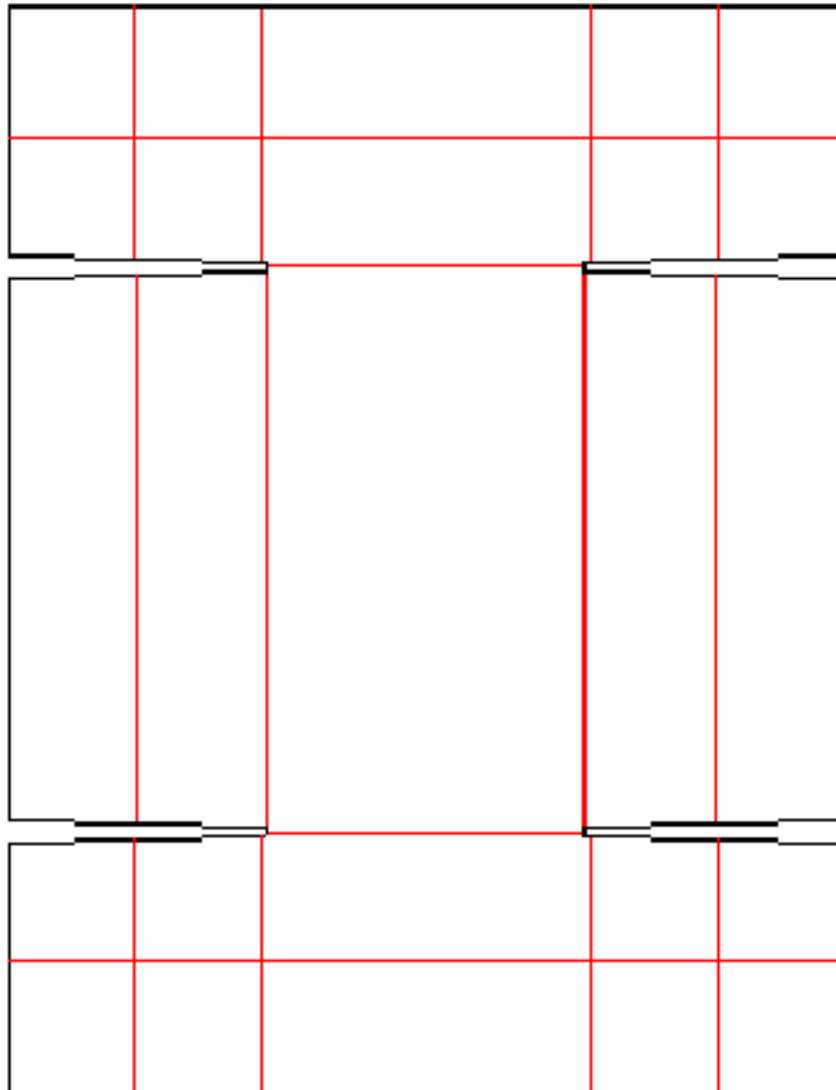
F0455



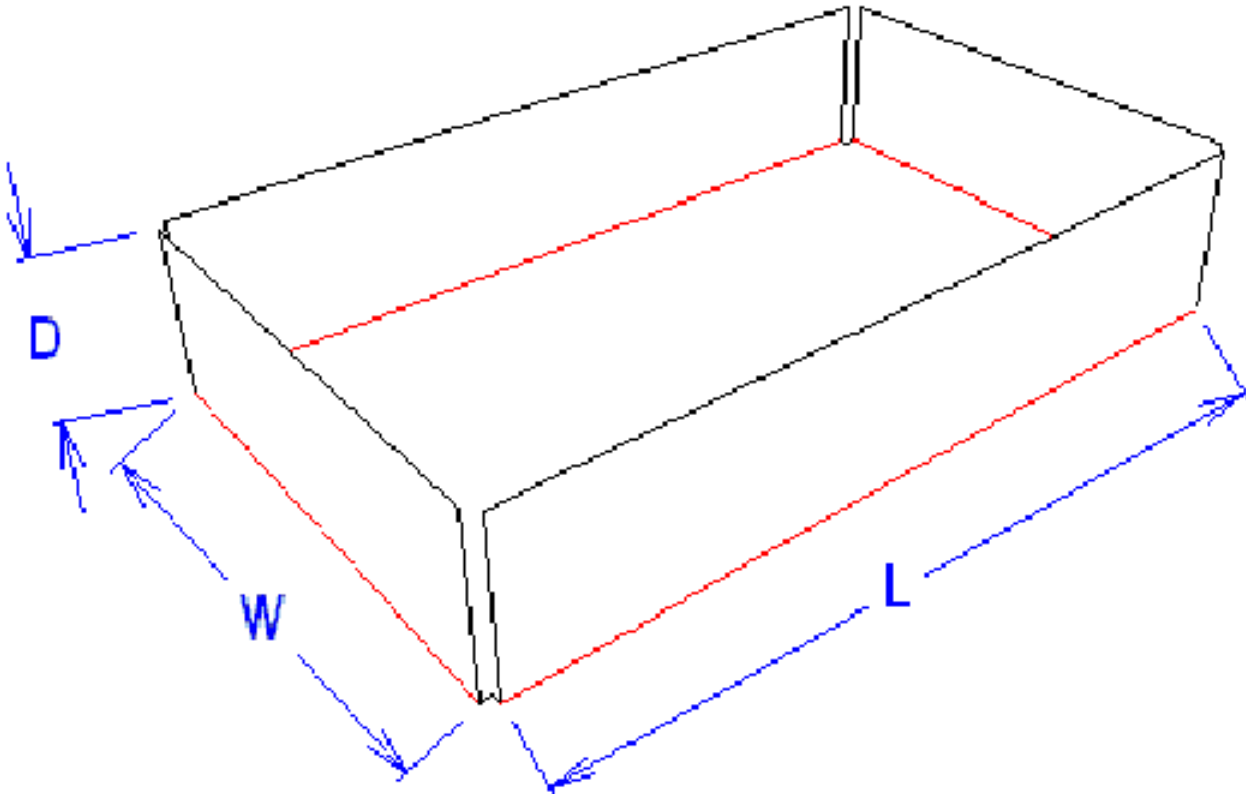


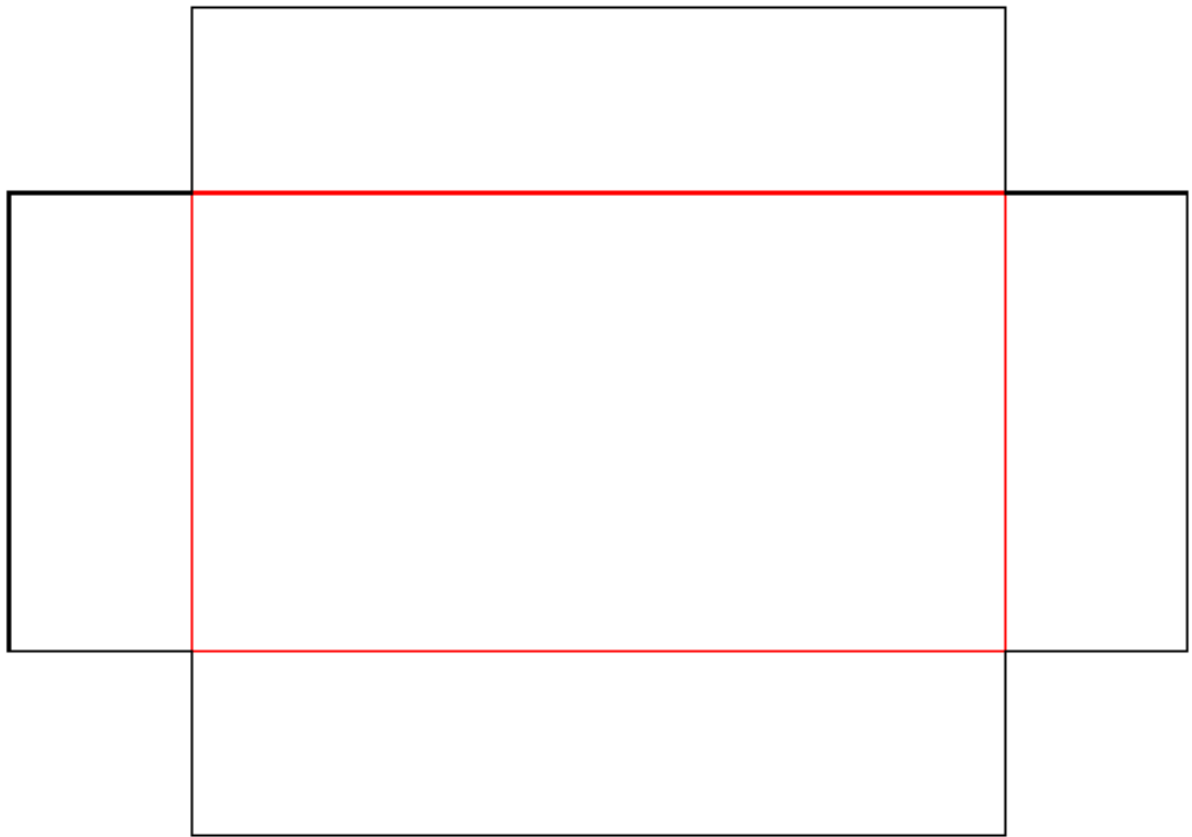
F0456



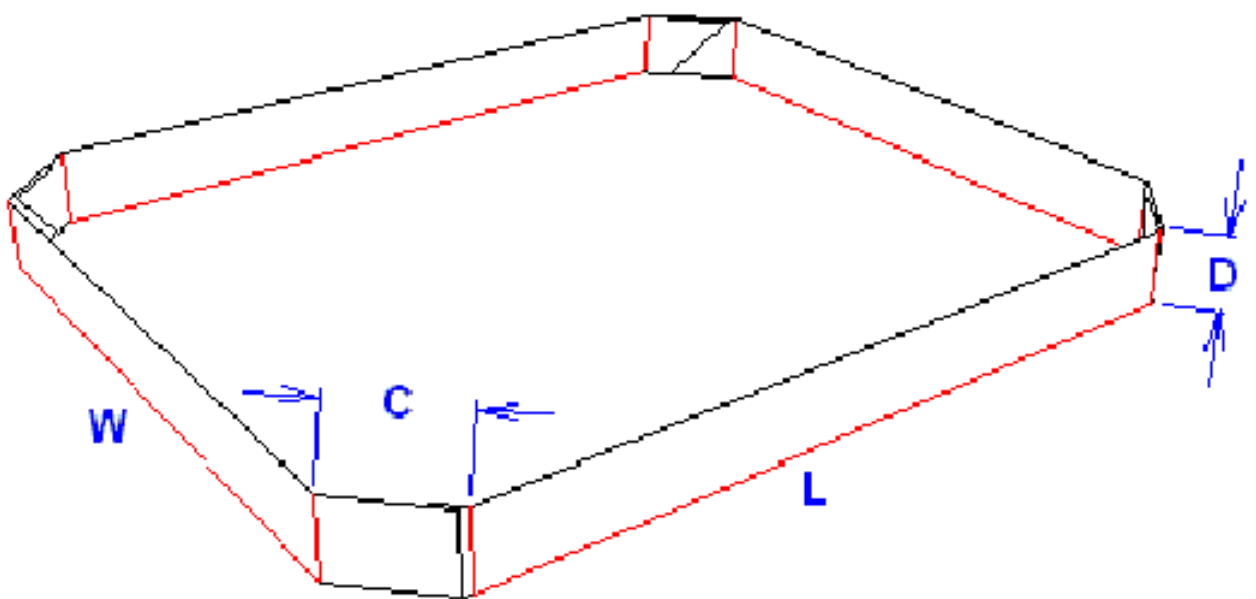


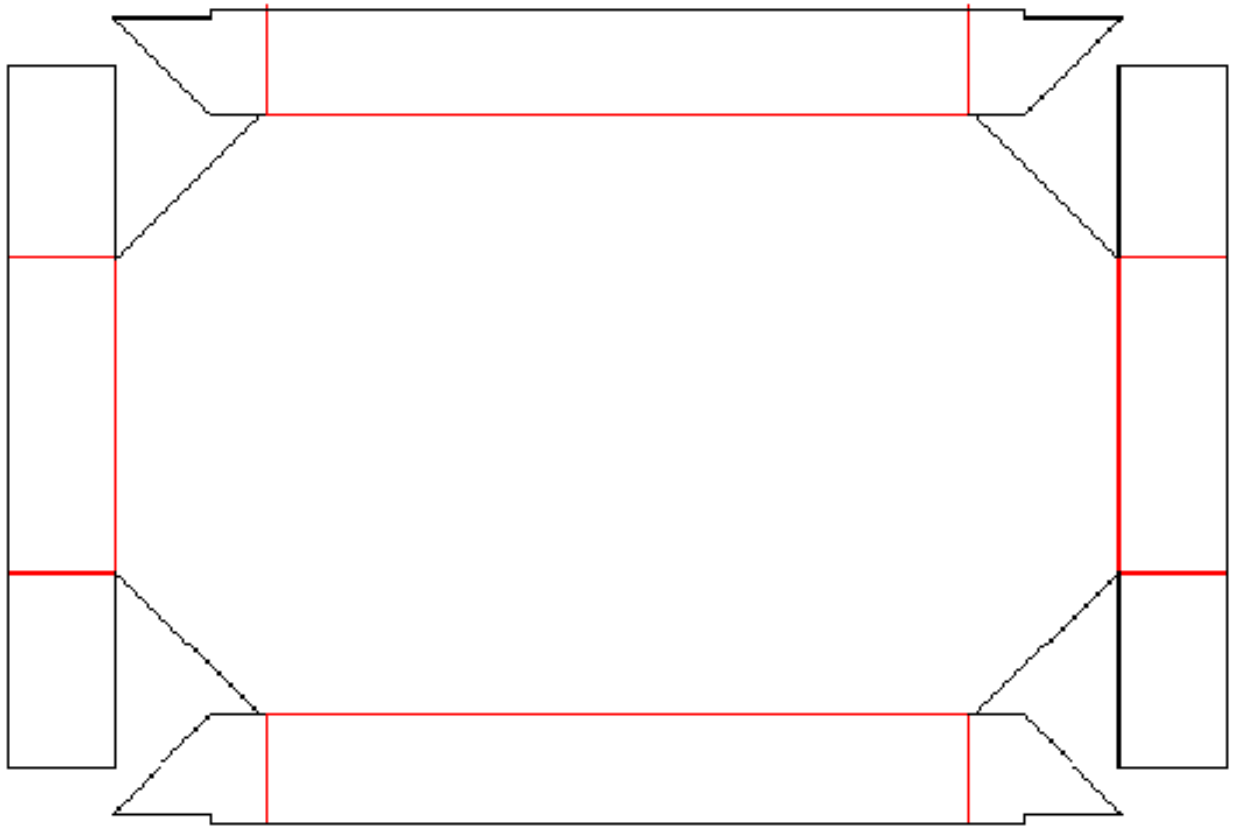
F0458



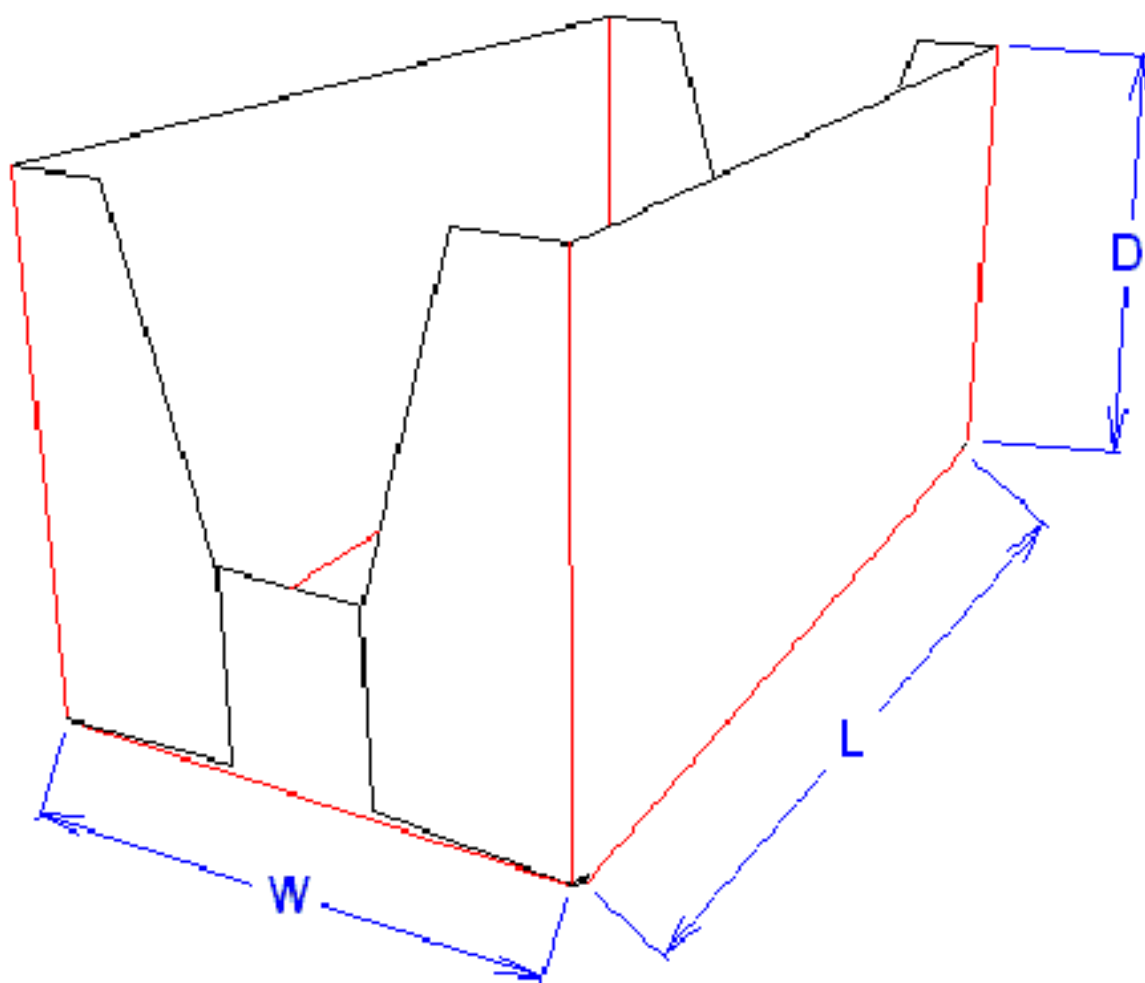


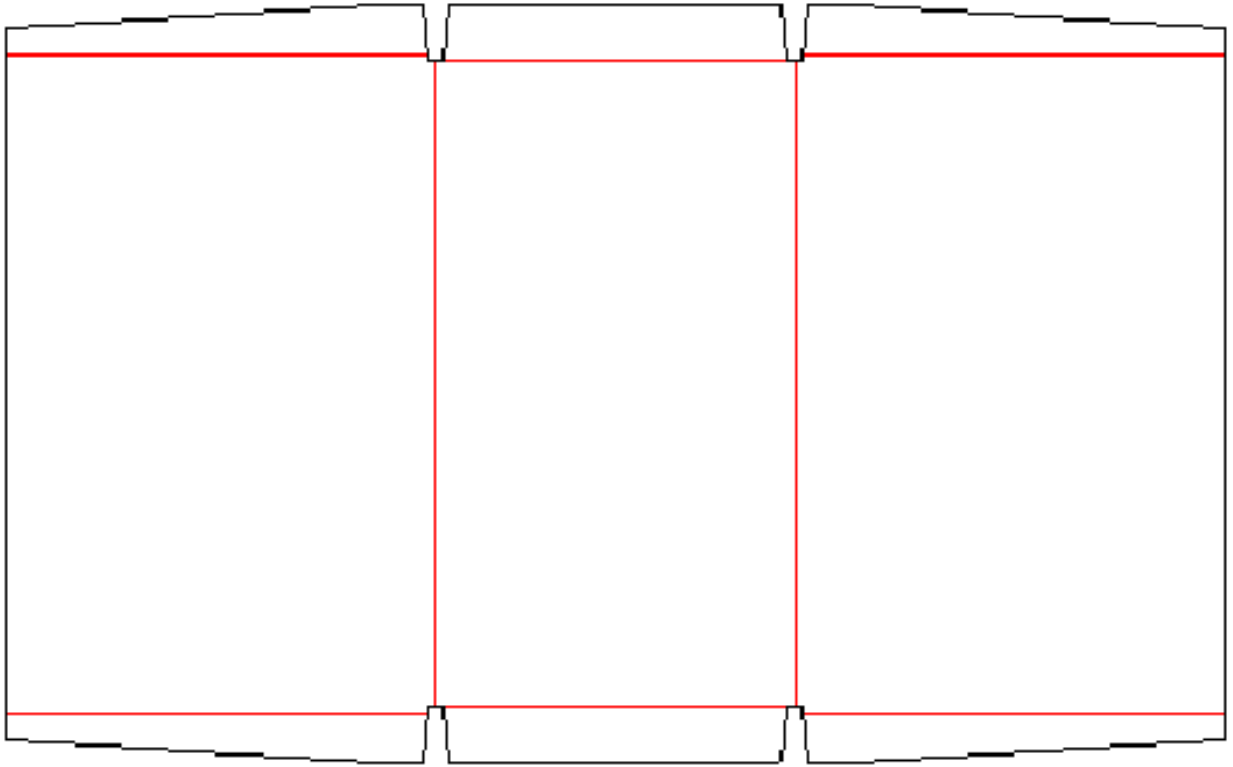
F0459



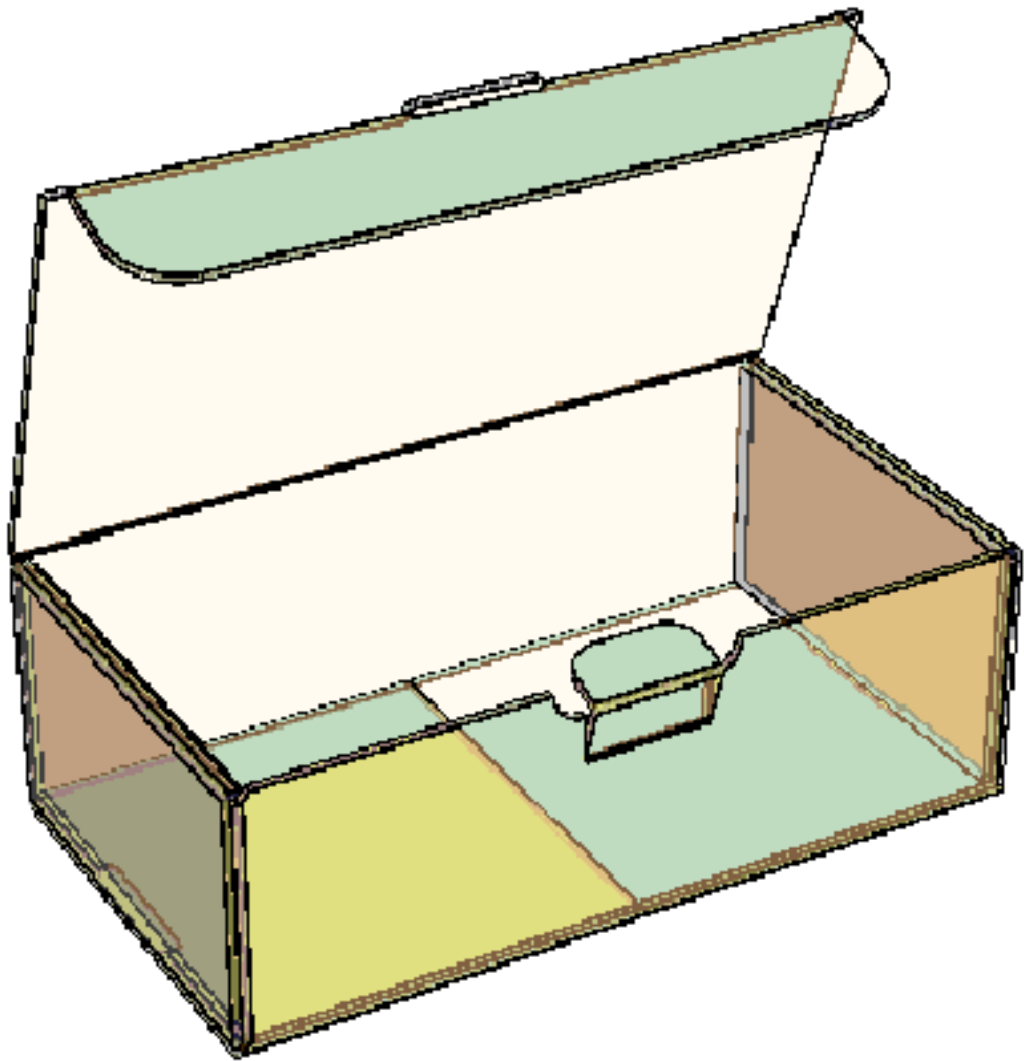


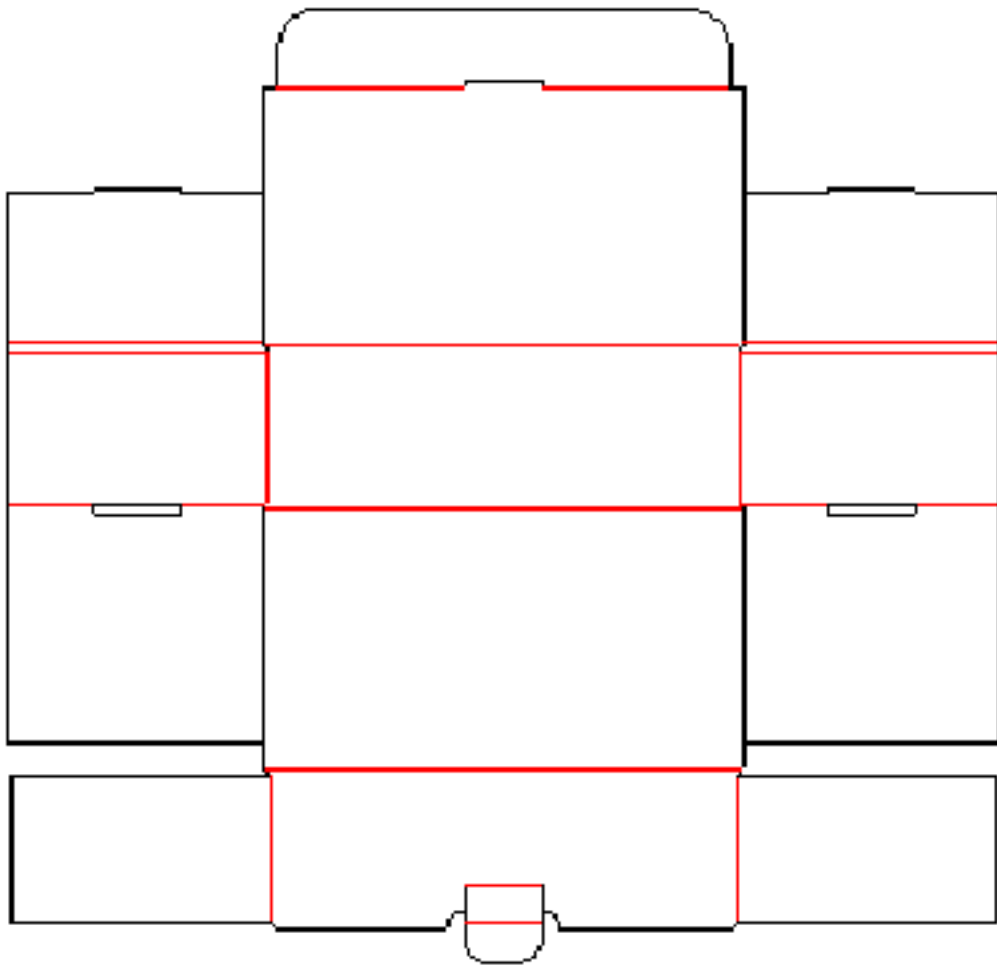
F0460



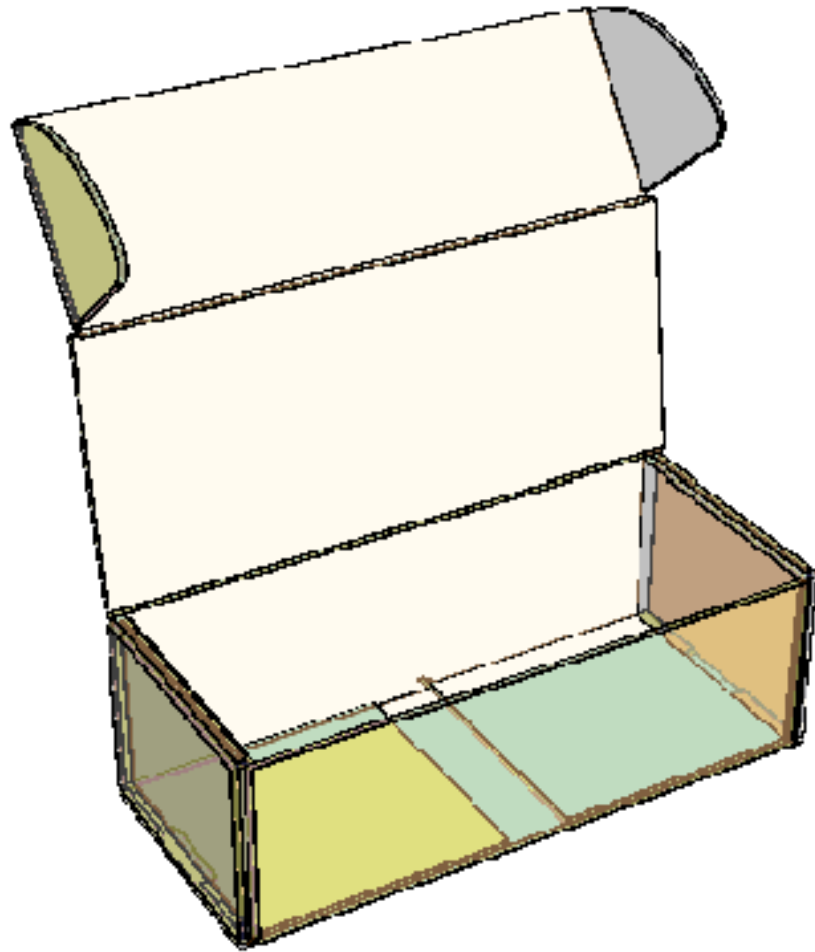


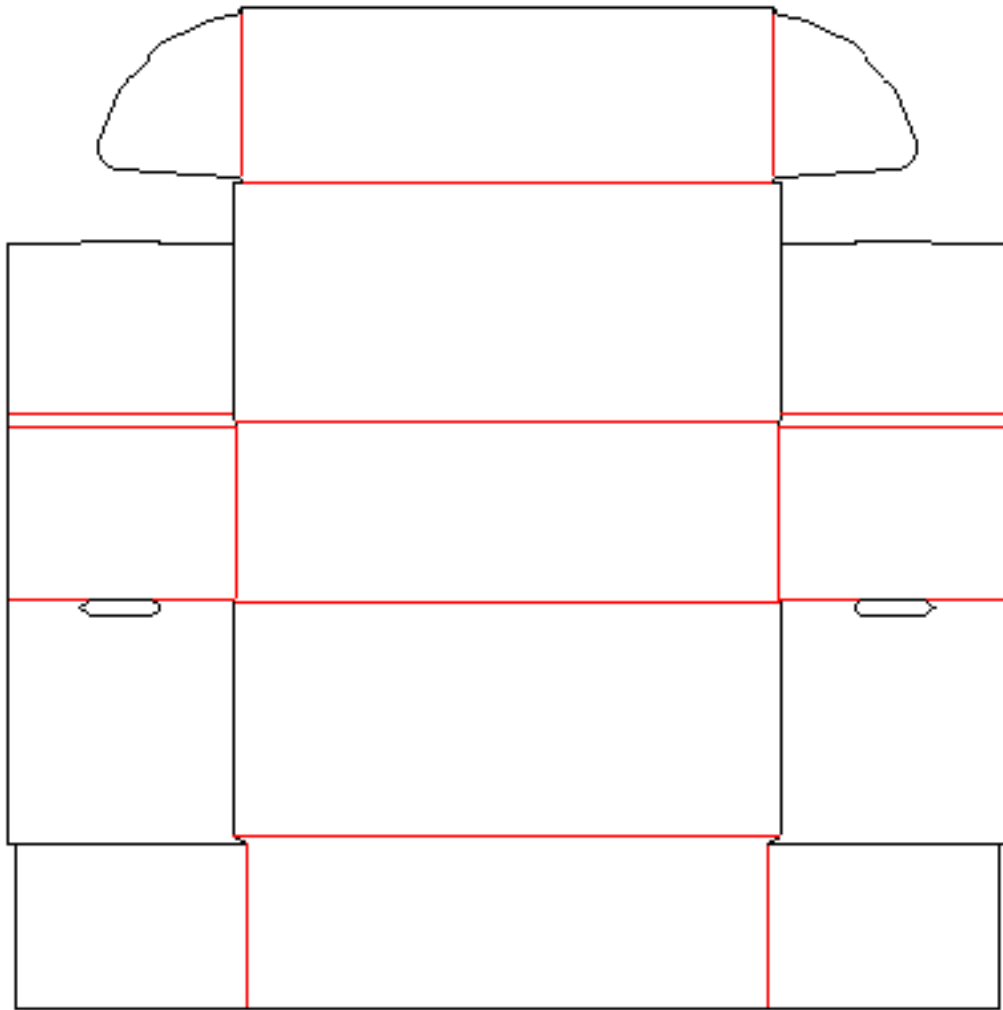
F0470



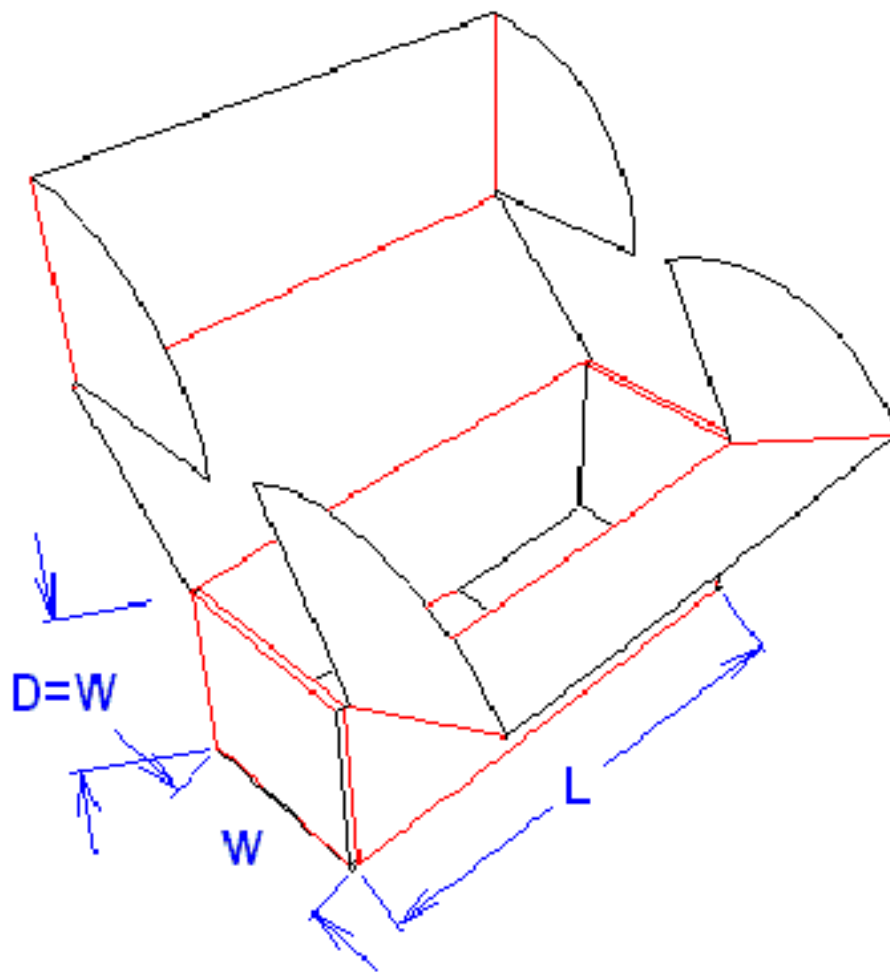


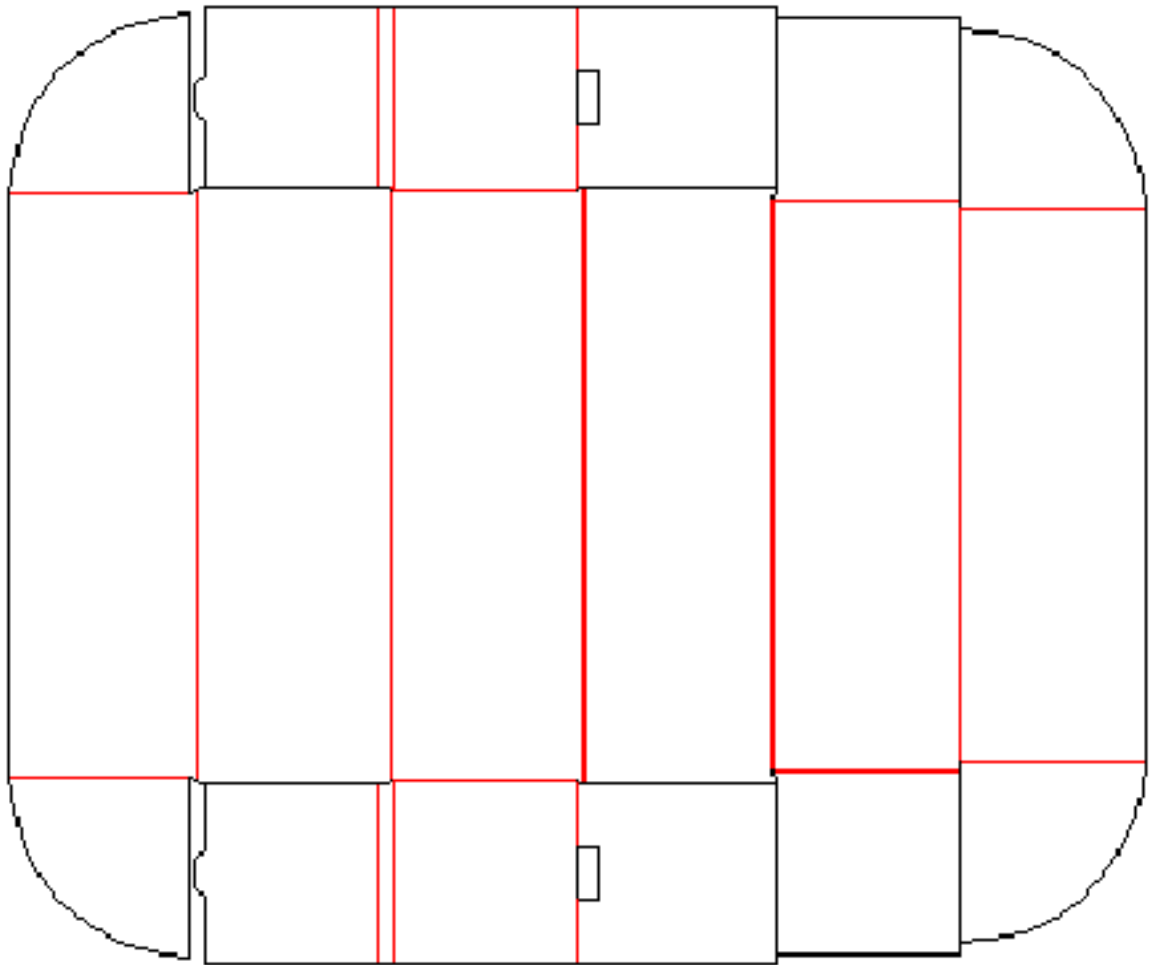
F0471



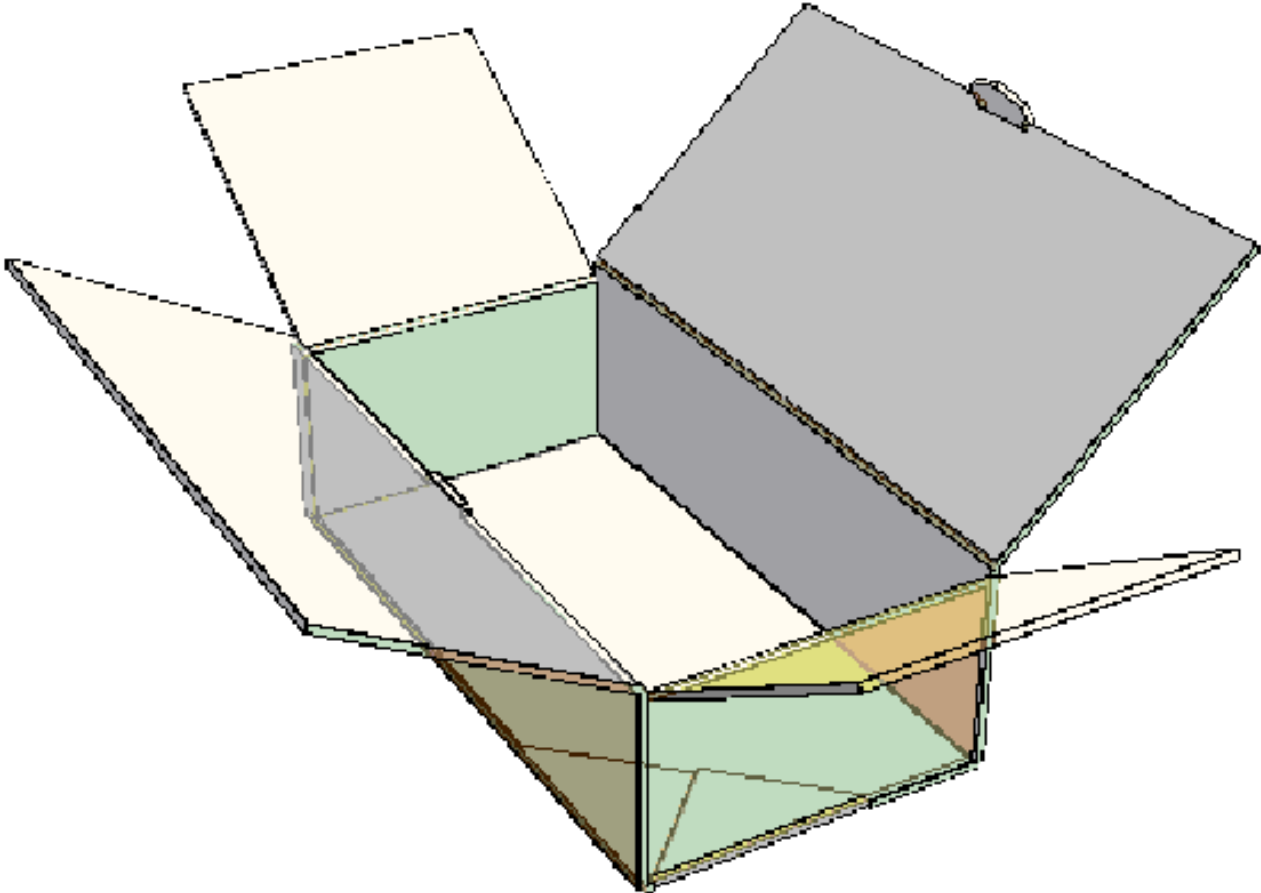


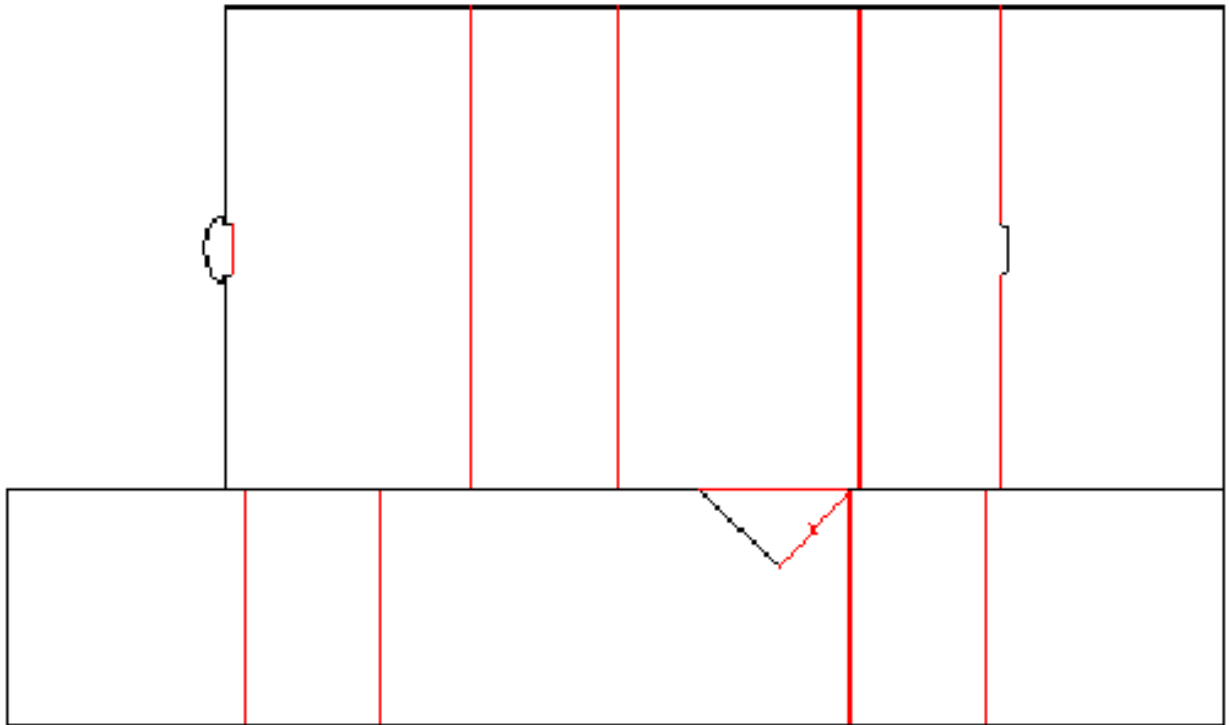
F0472





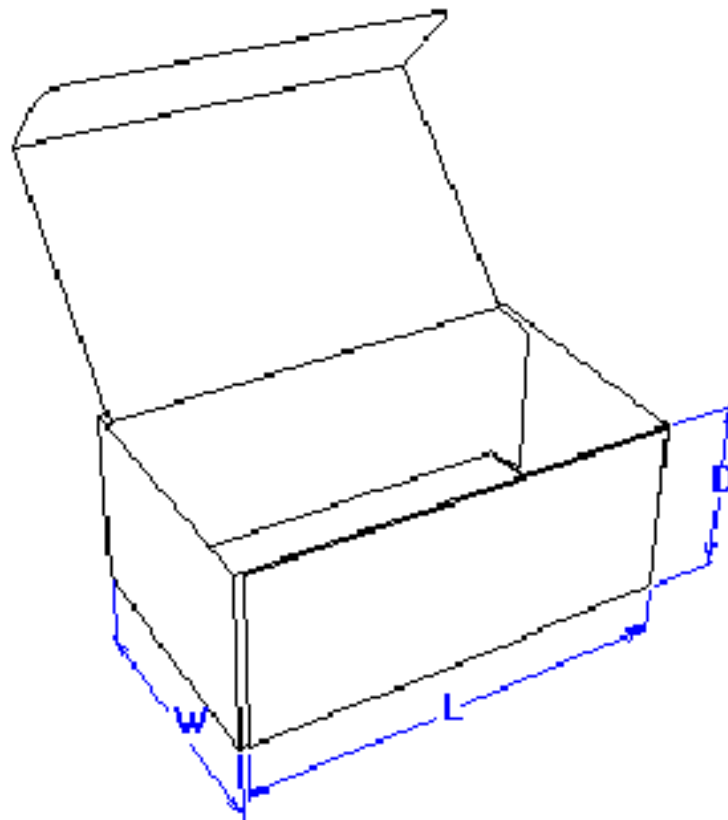
F0473



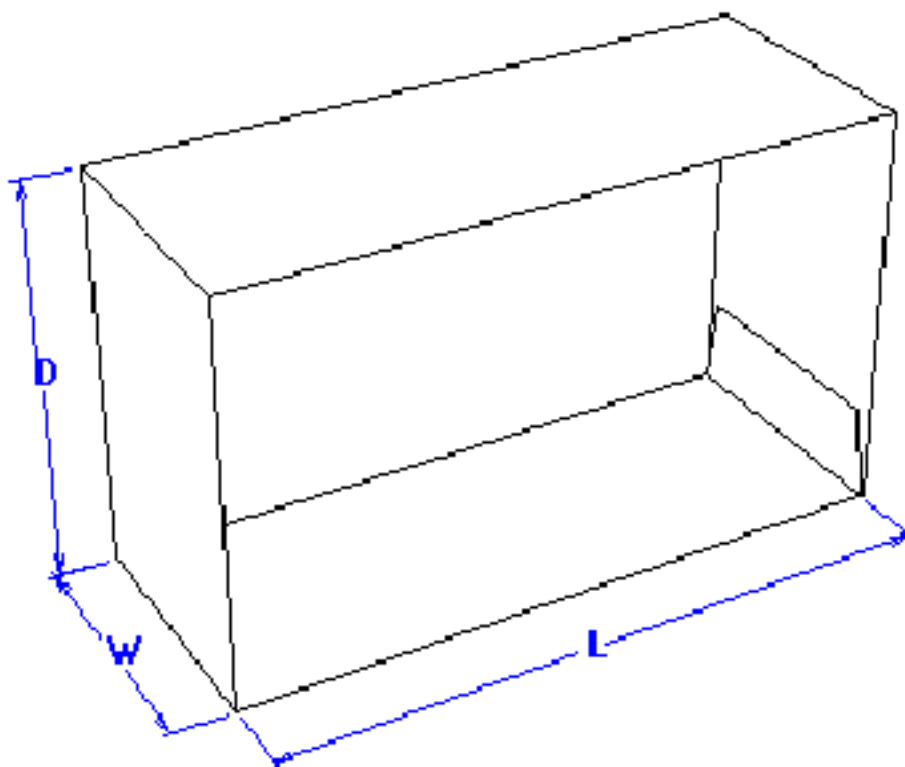


FEFCO Standards - 500 Series

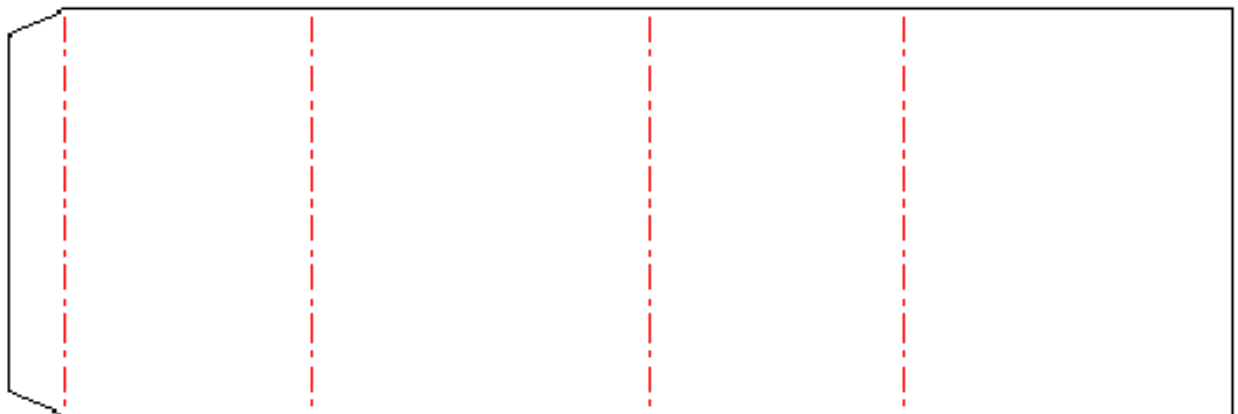
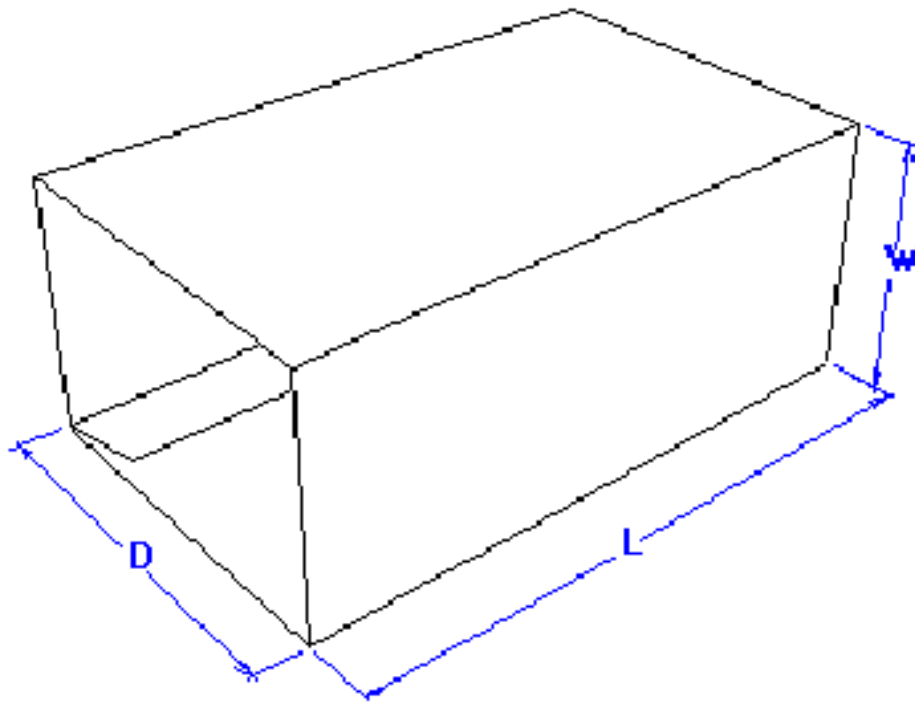
F0501



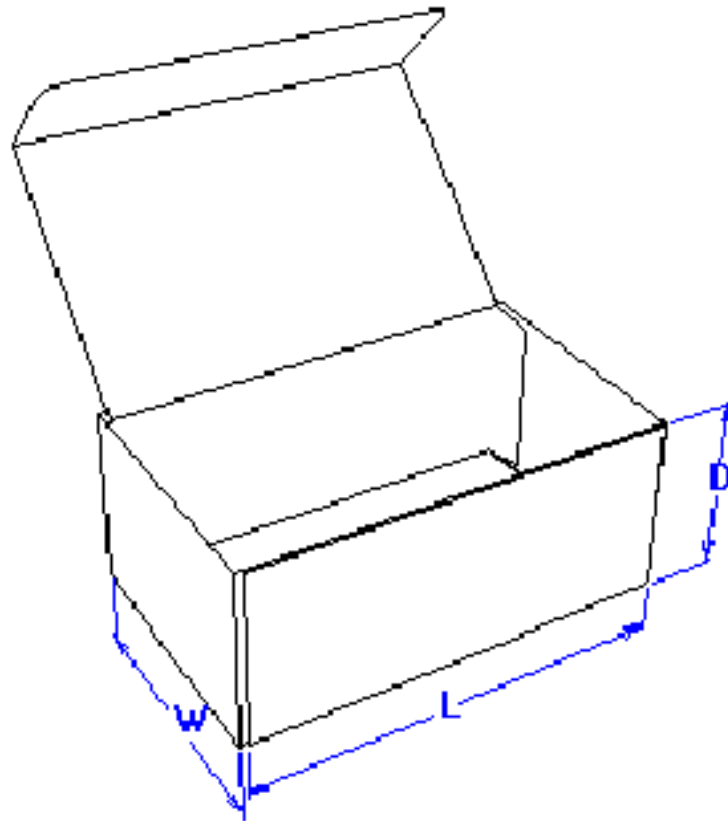
F0502



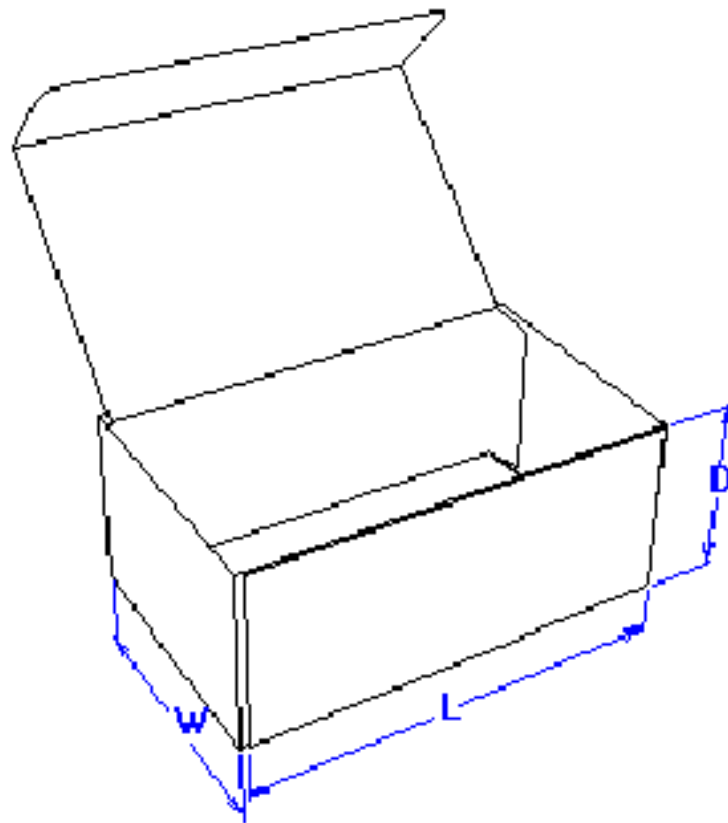
F0503



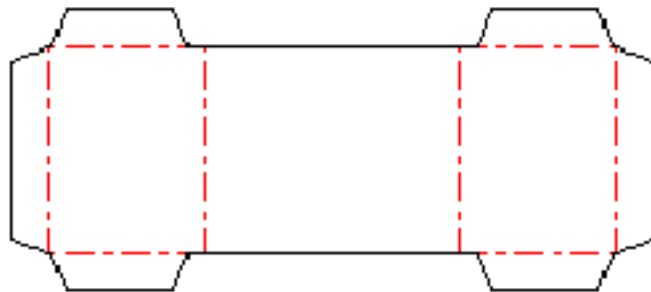
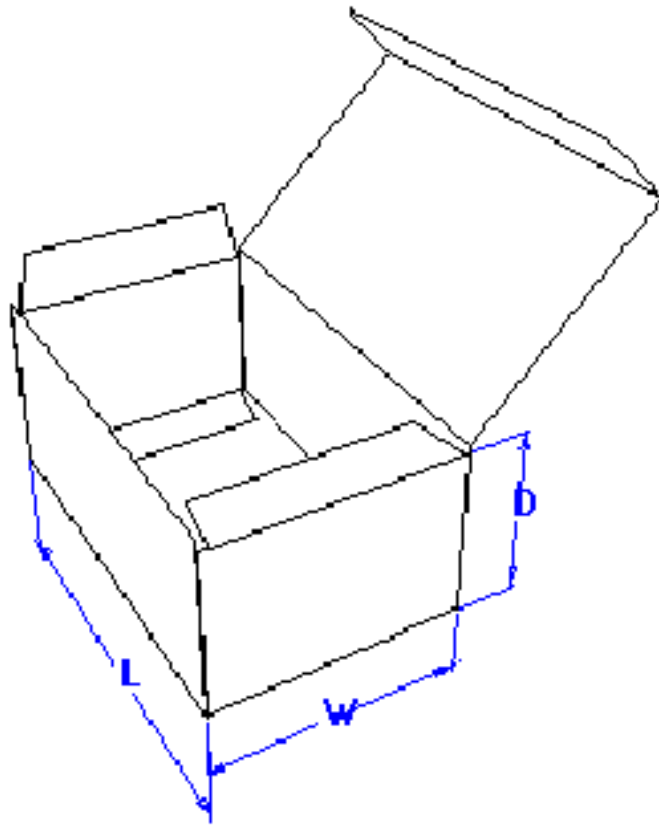
F0510 Body



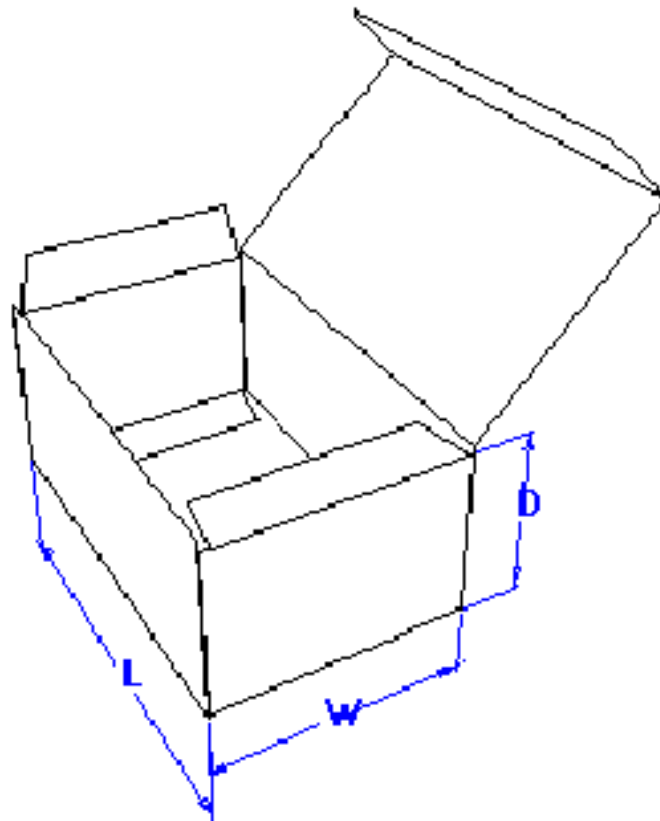
F0510 End Panel

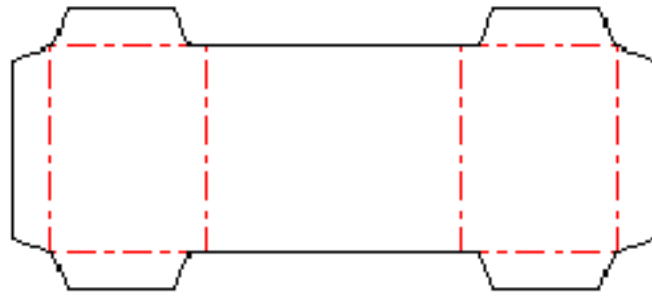


F0511 Body

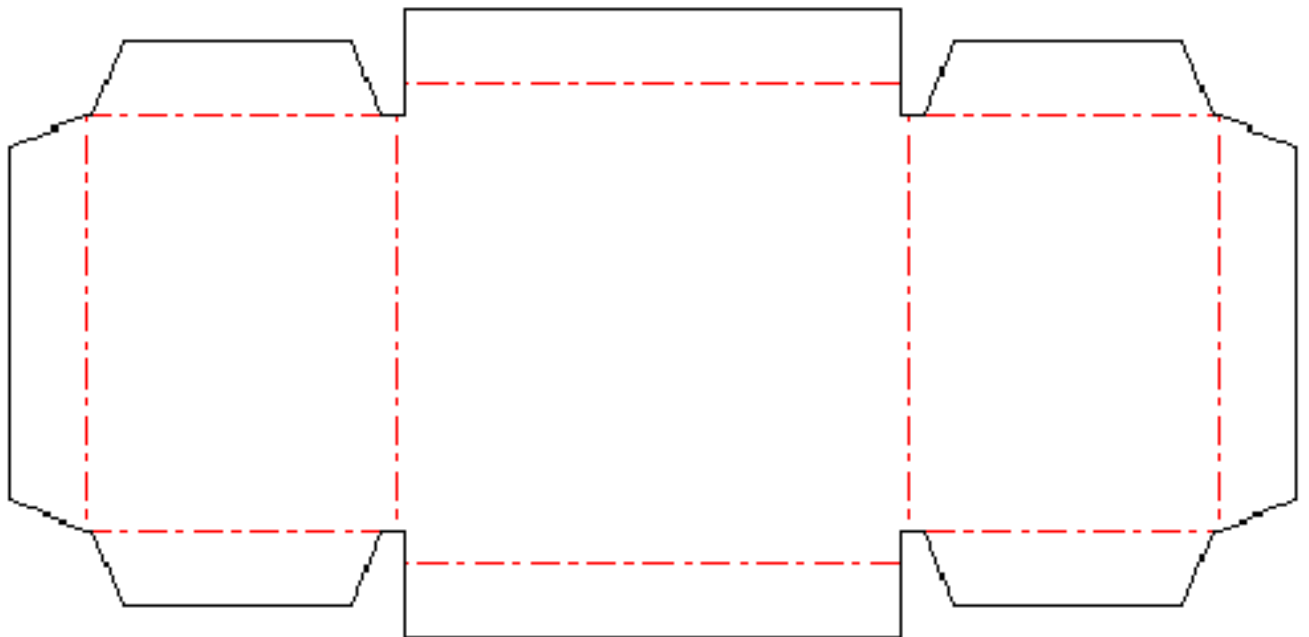
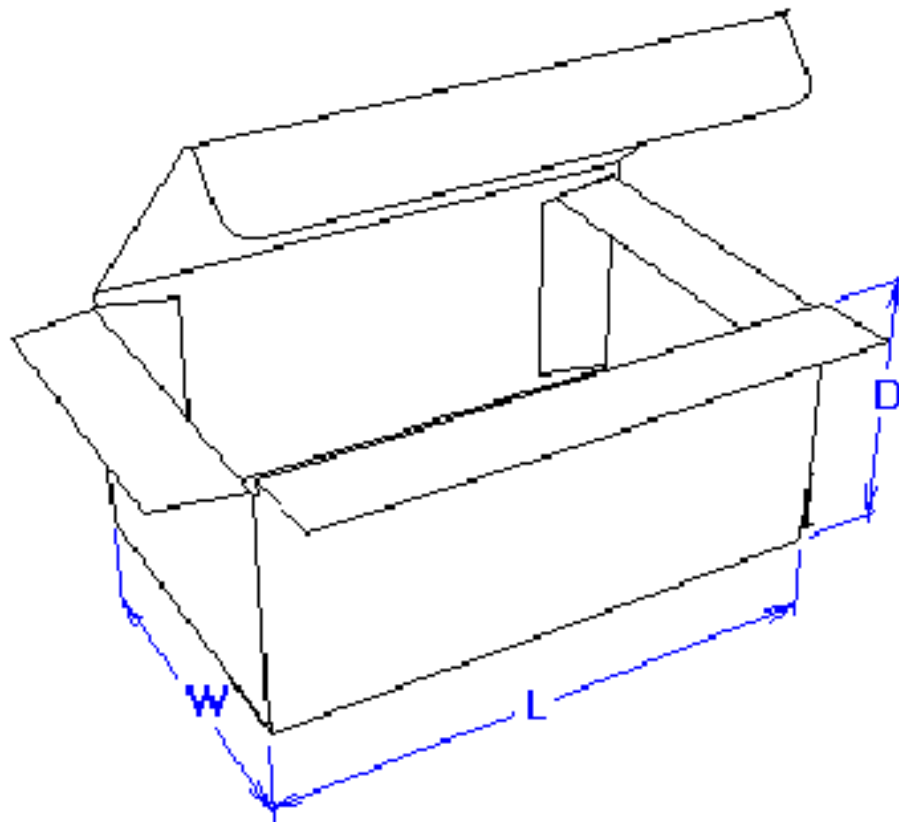


F0511 End Panel

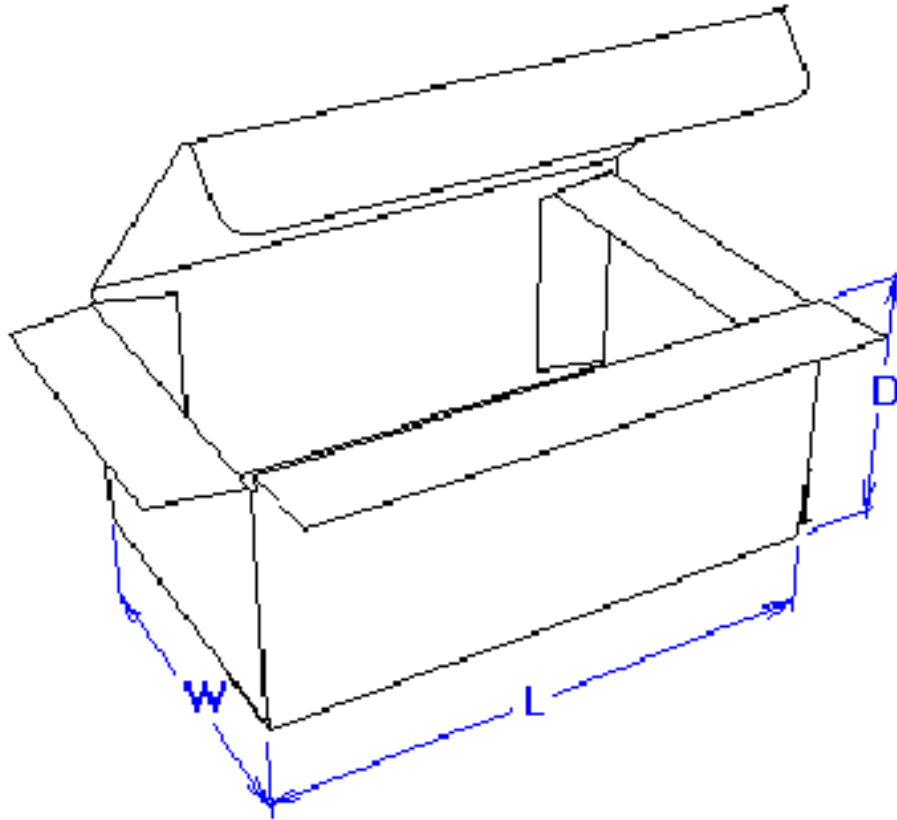


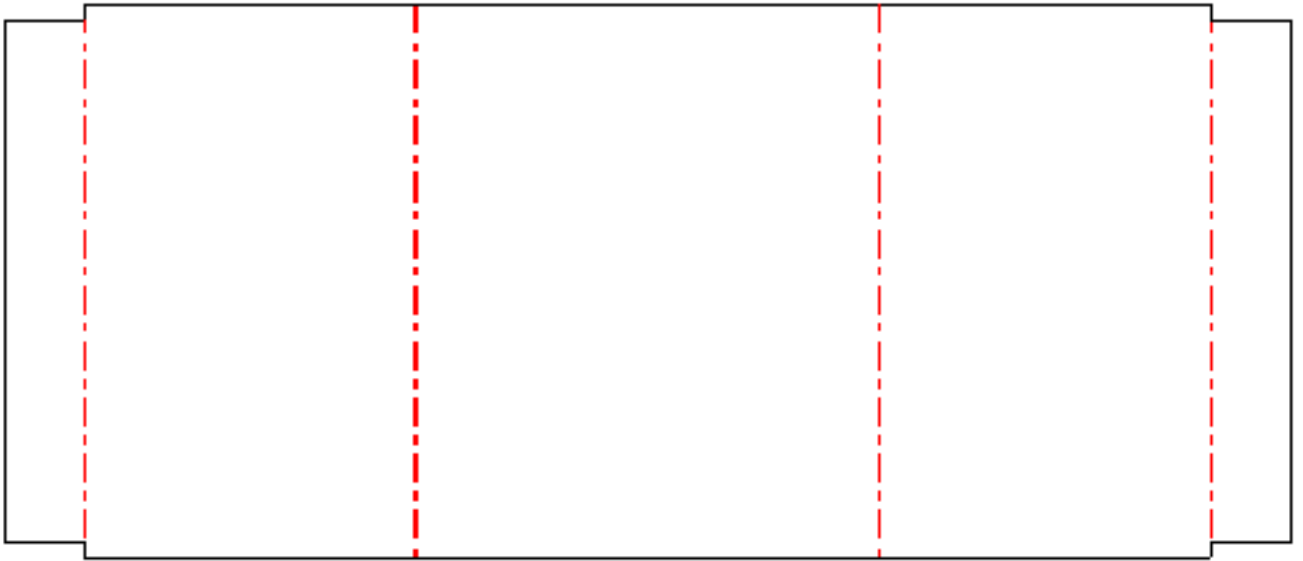


F0512 Body



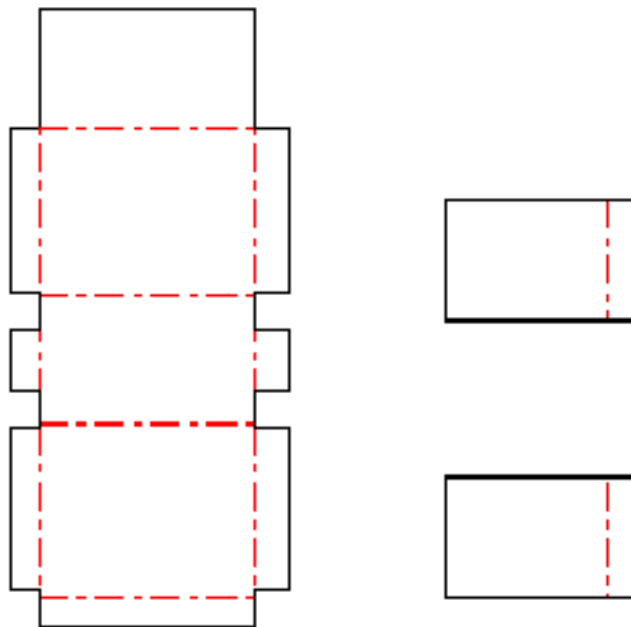
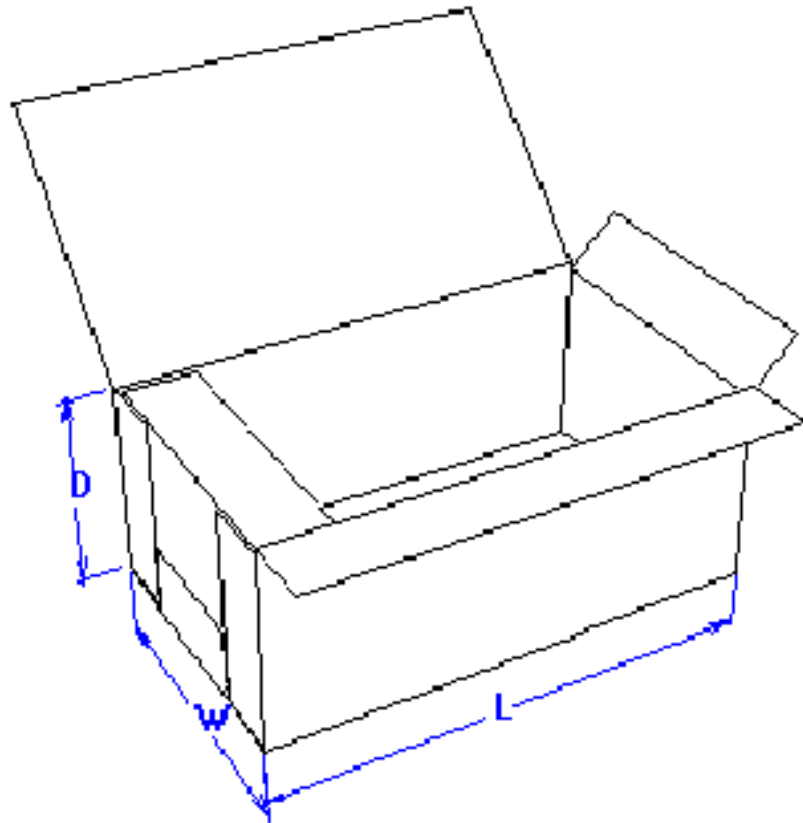
F0512 End Panel



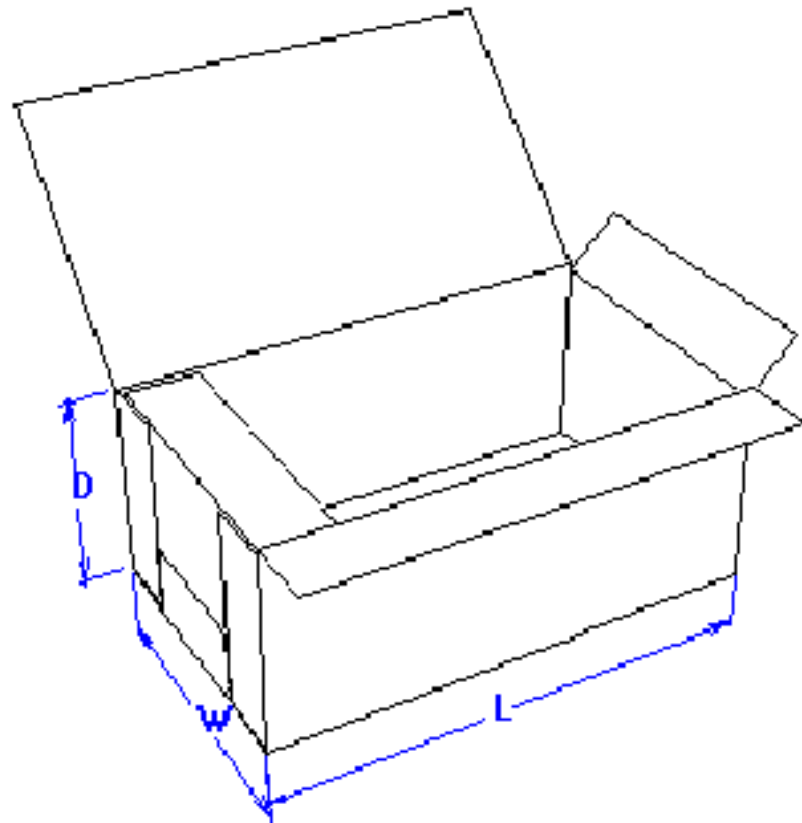


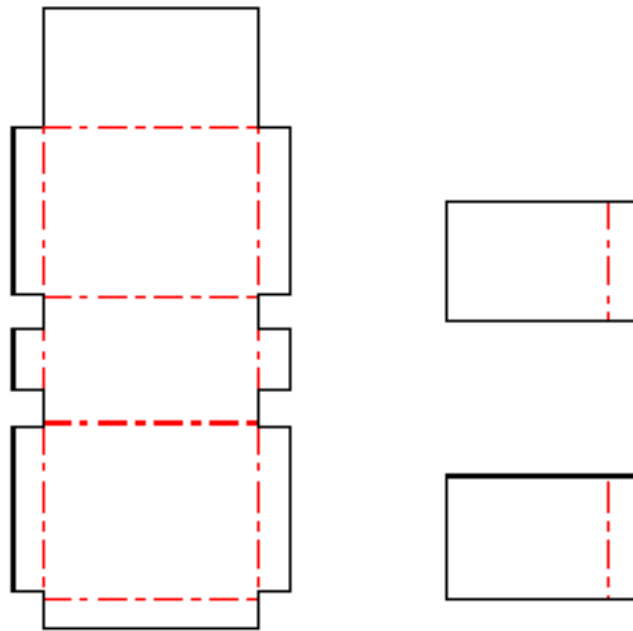
FEFCO Standards - 600 Series

F0601 Body

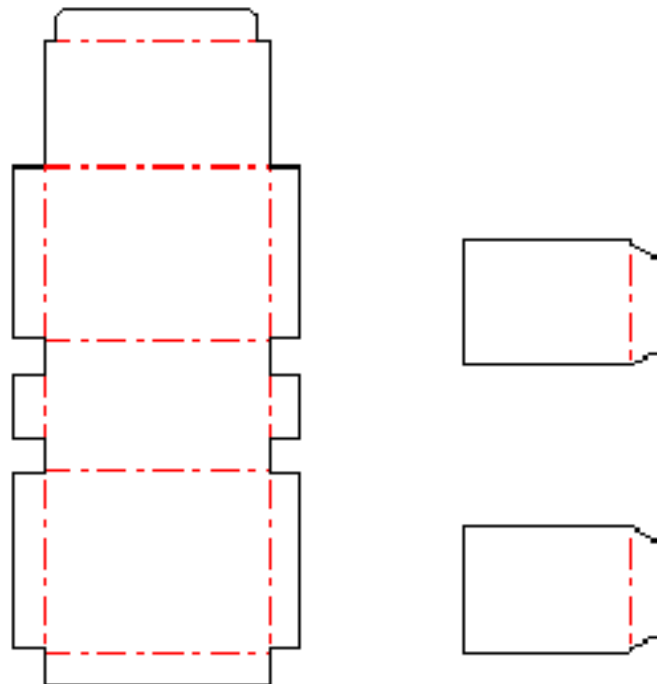
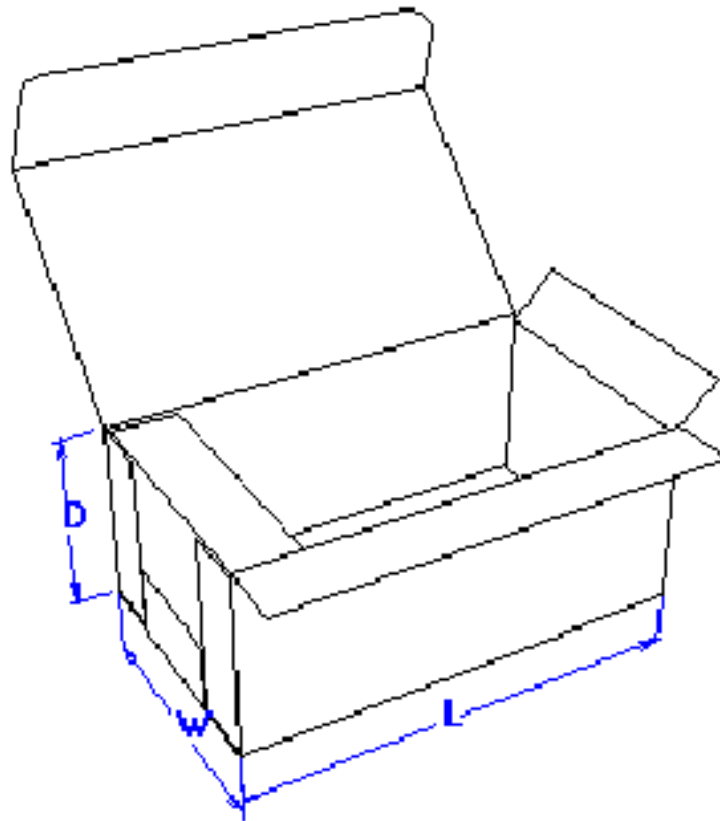


F0601 End Panel

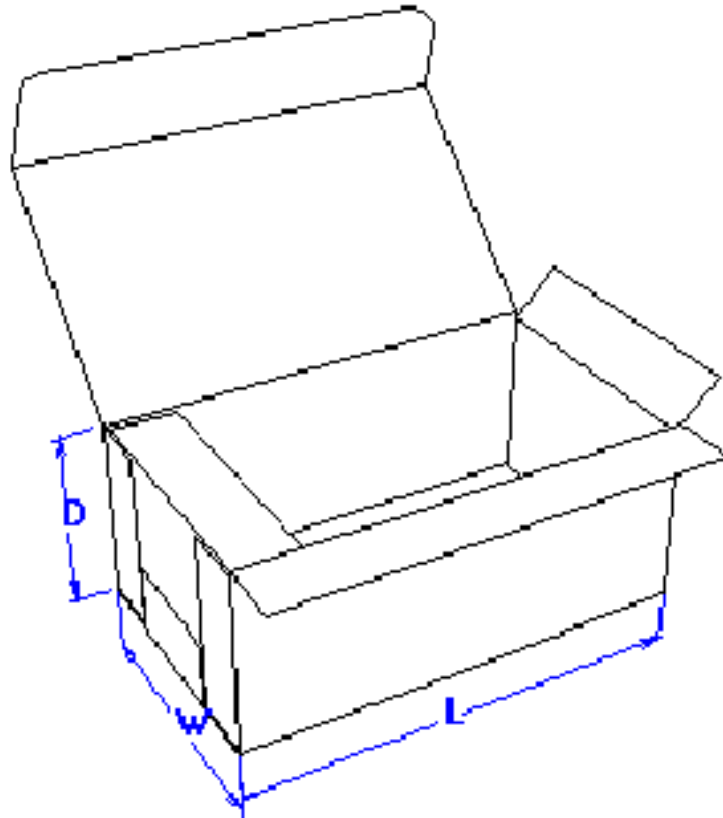


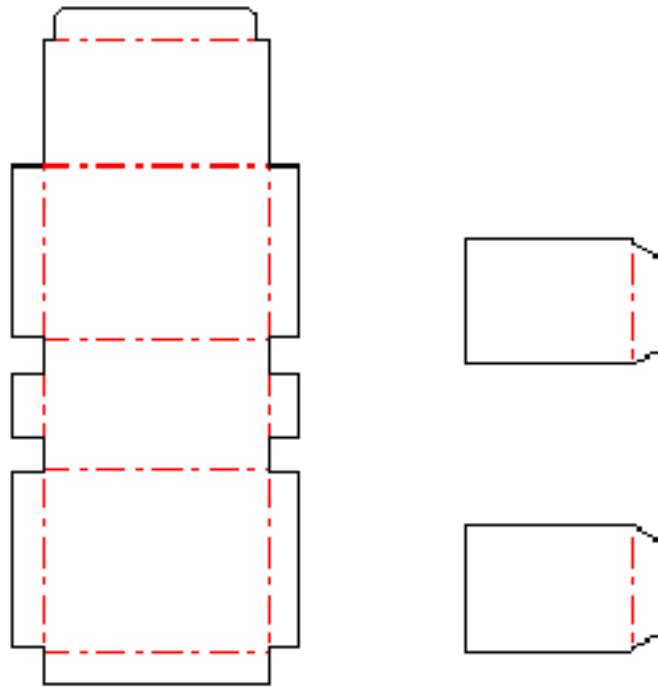


F0602 Body

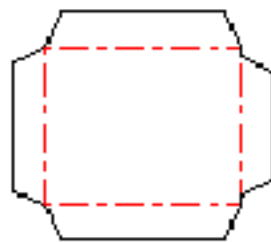
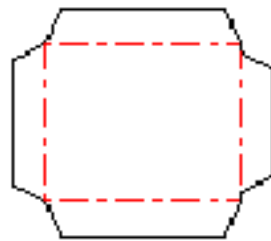
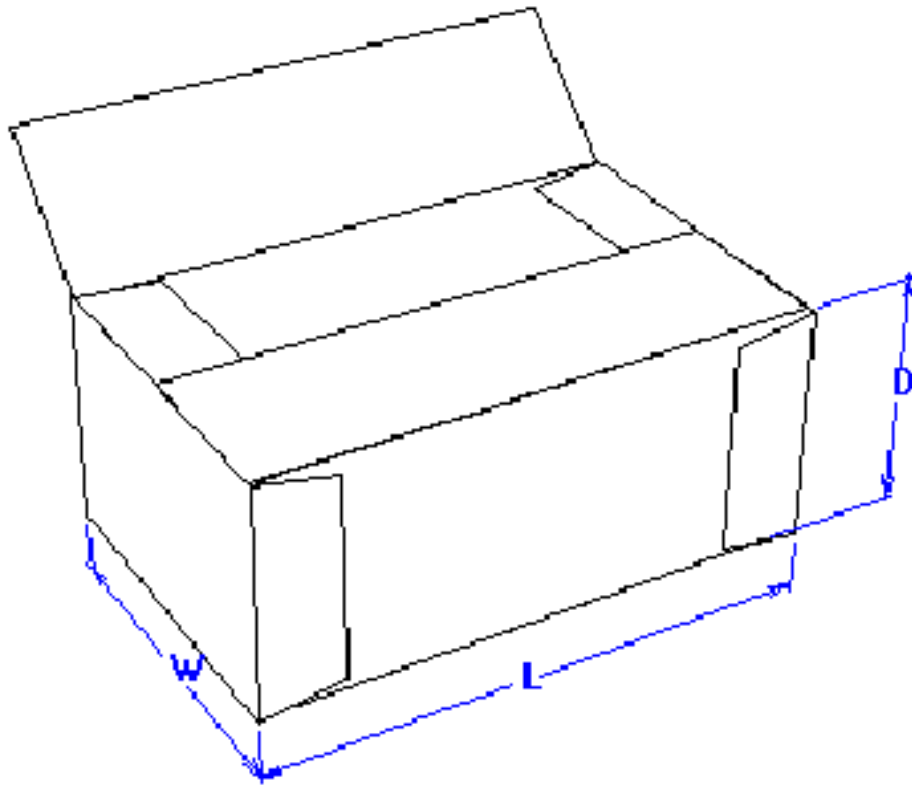


F0602 End Panel

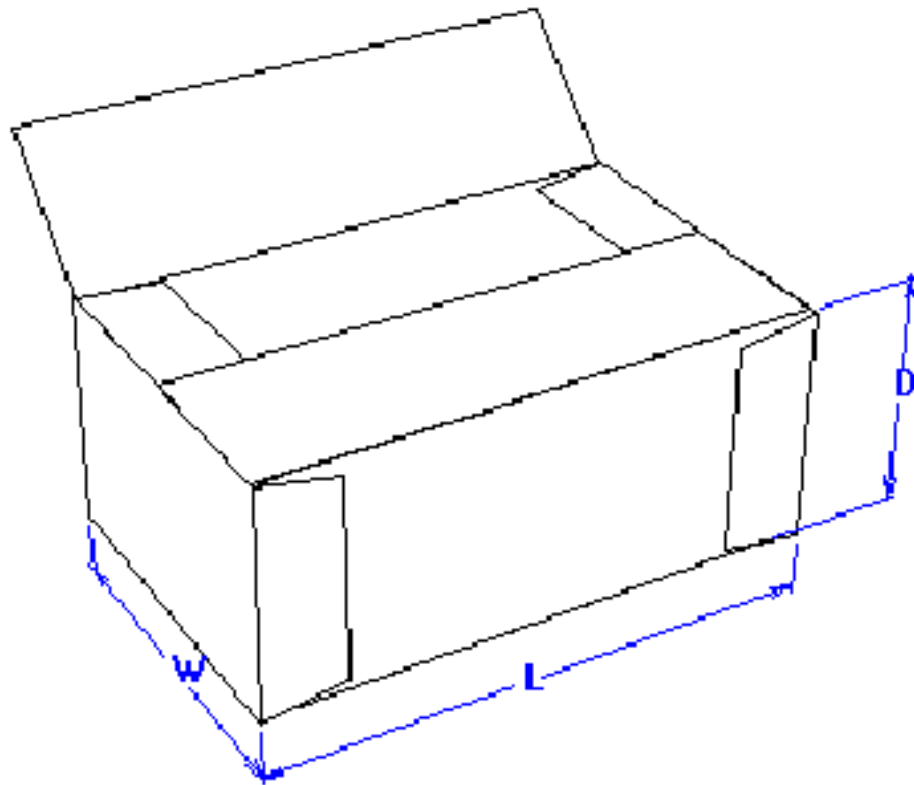


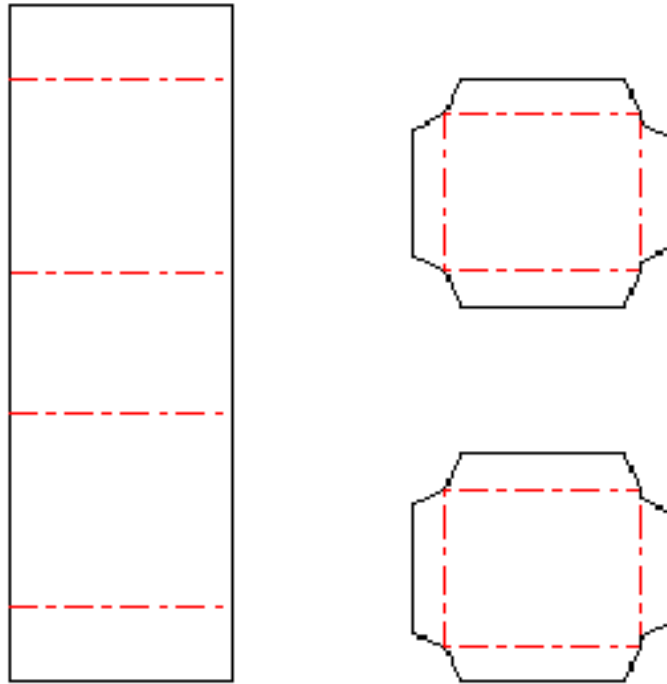


F0605 Body

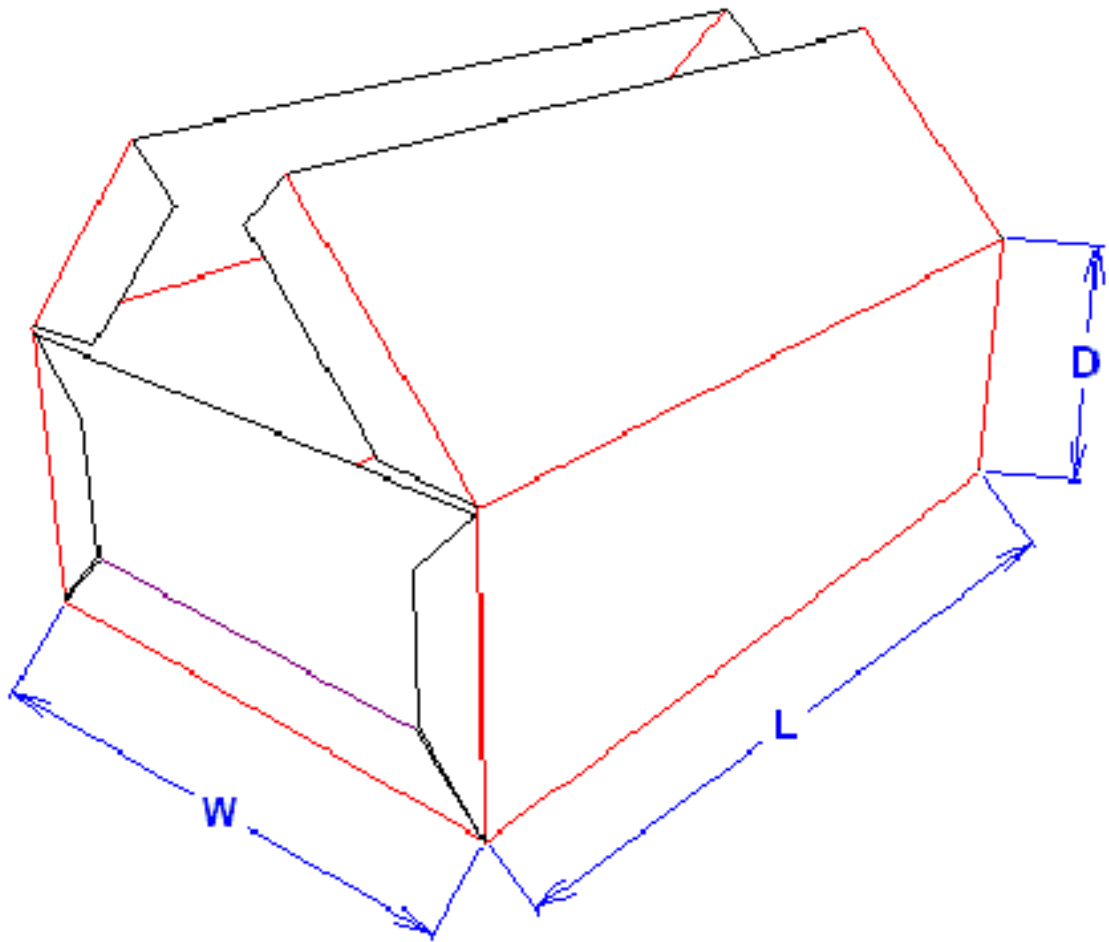


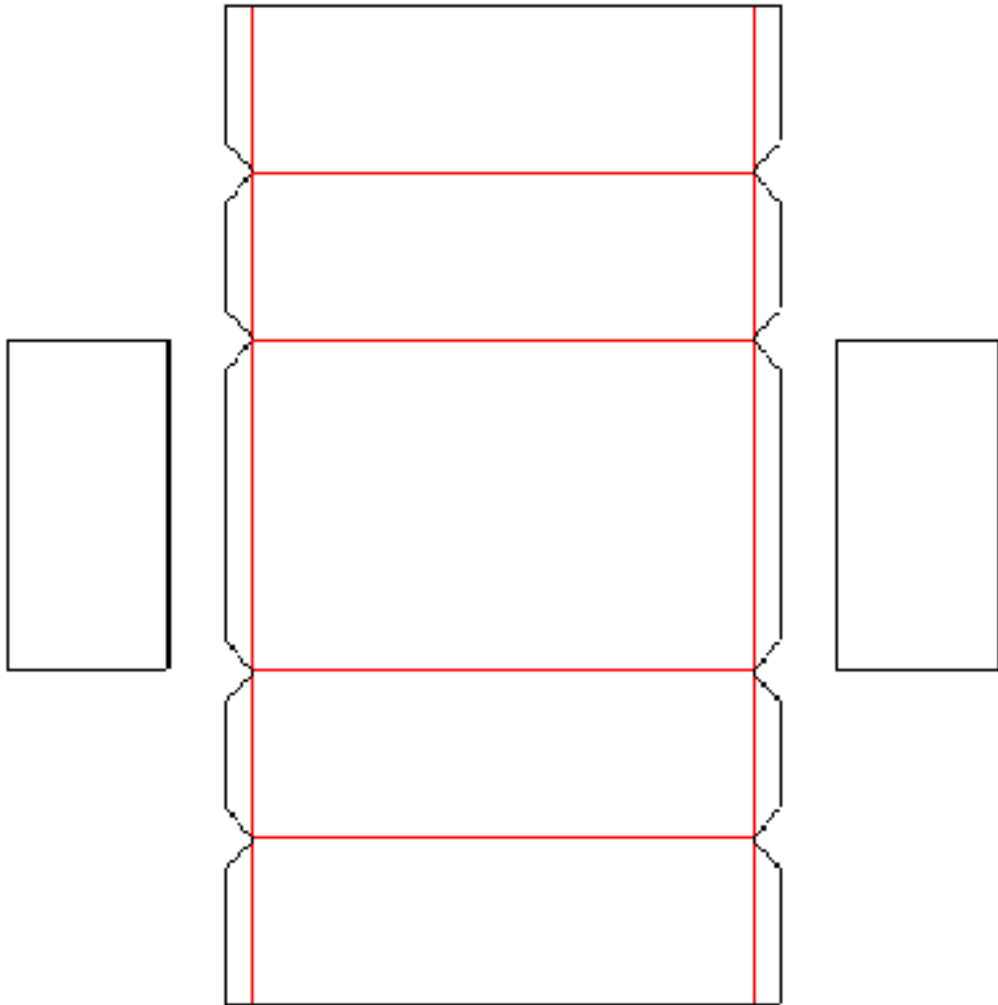
F0605 End Panel



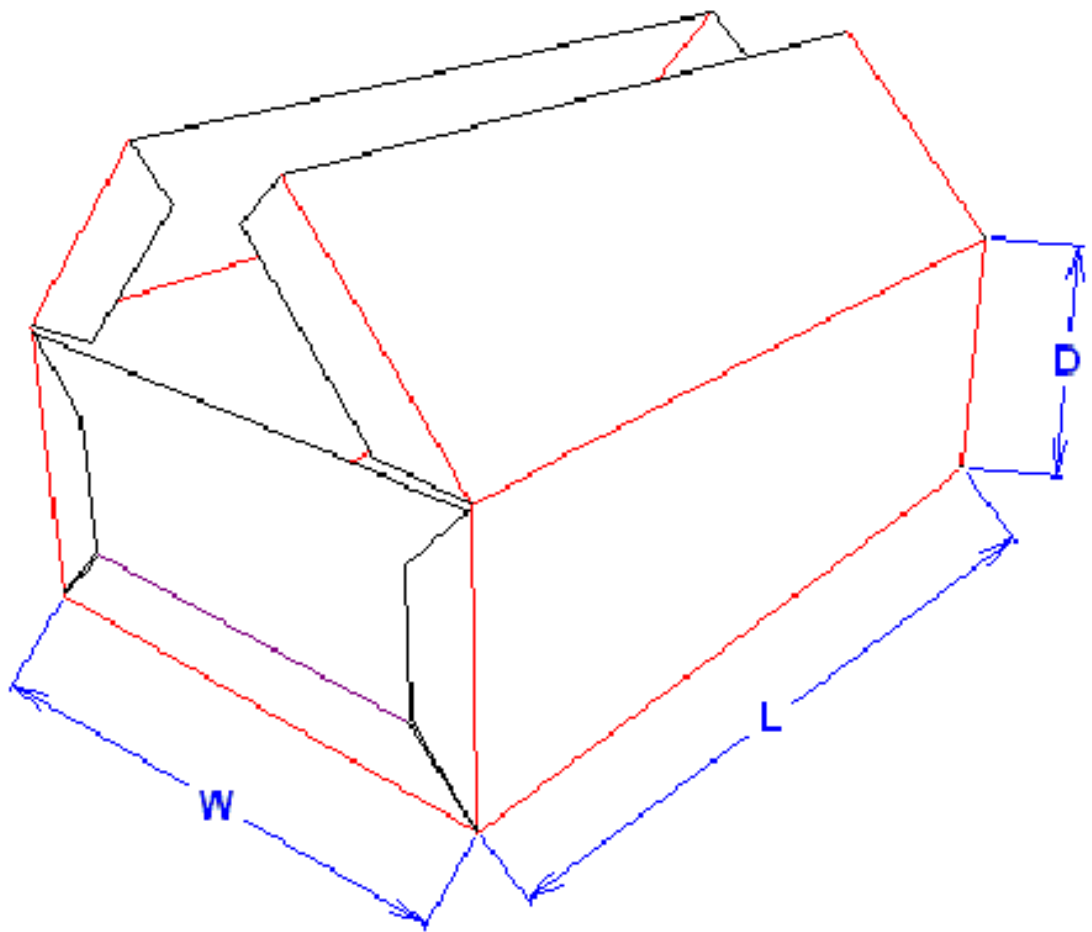


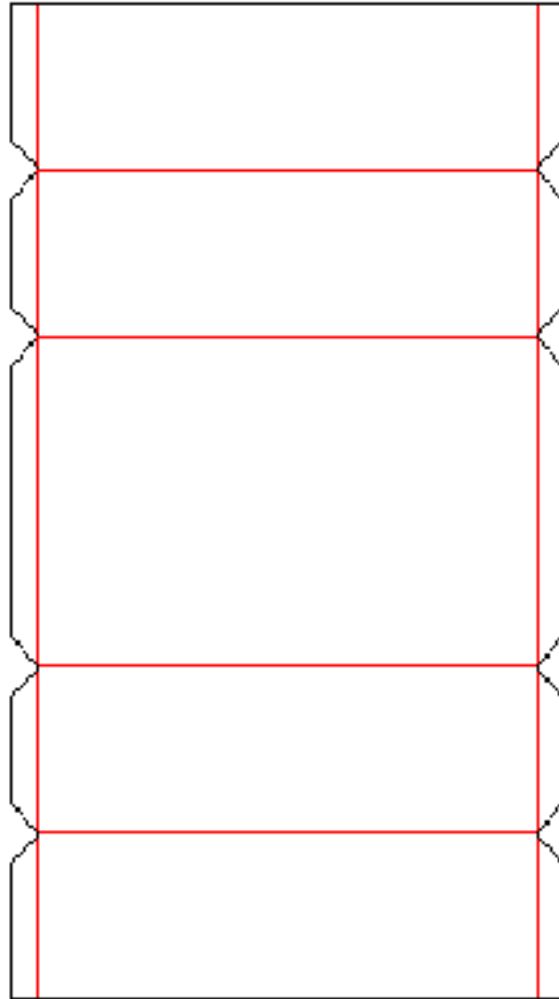
F0606



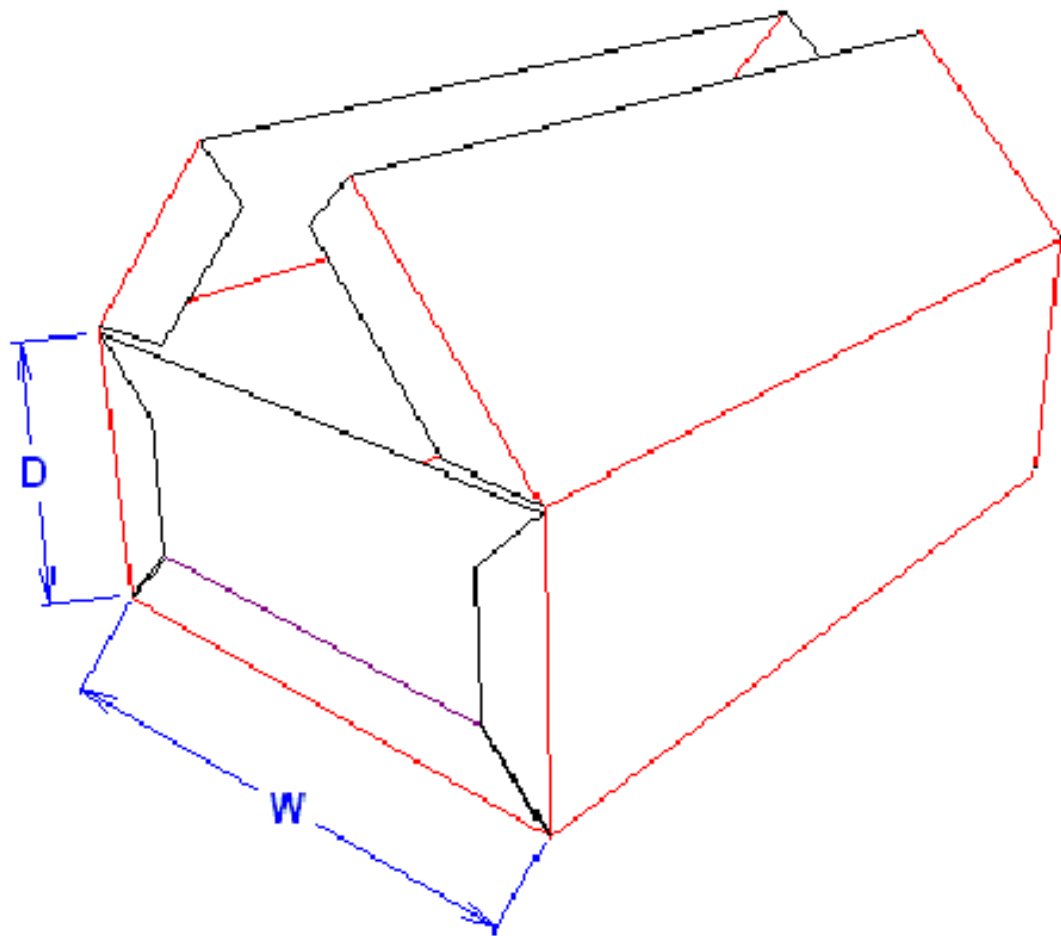


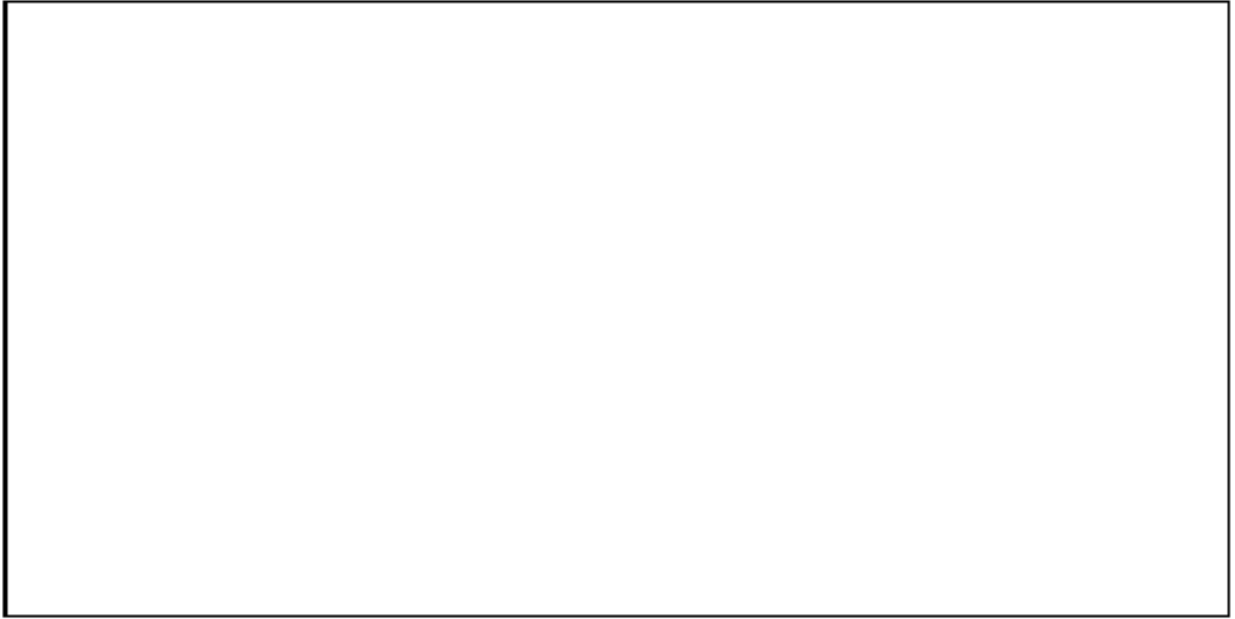
F0606a



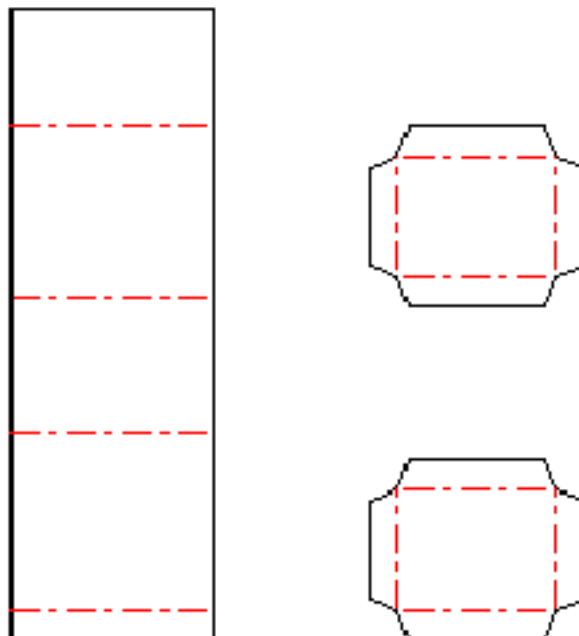
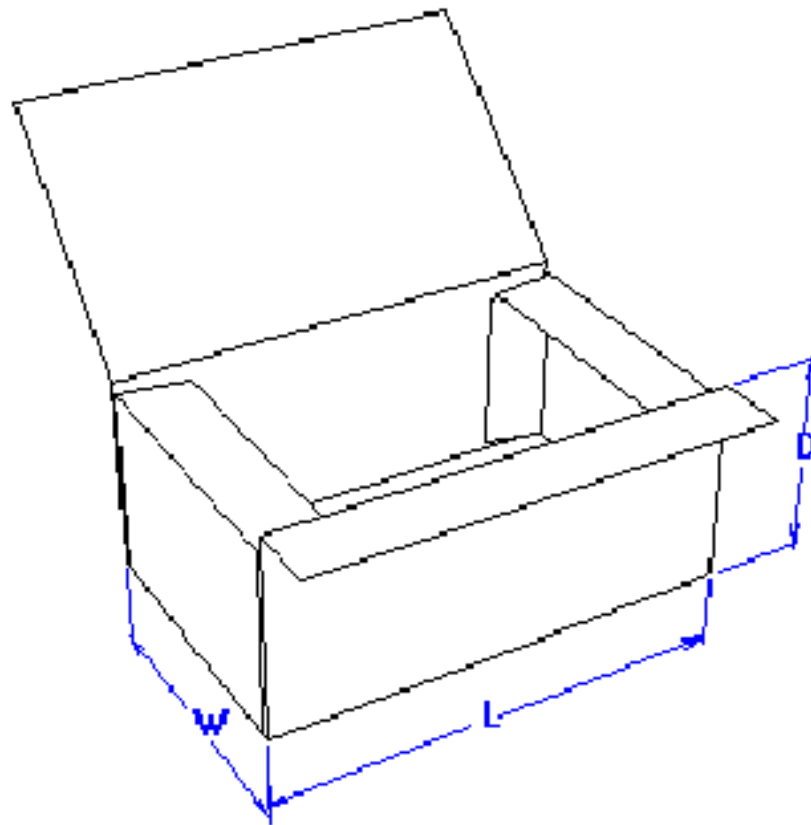


F0606b

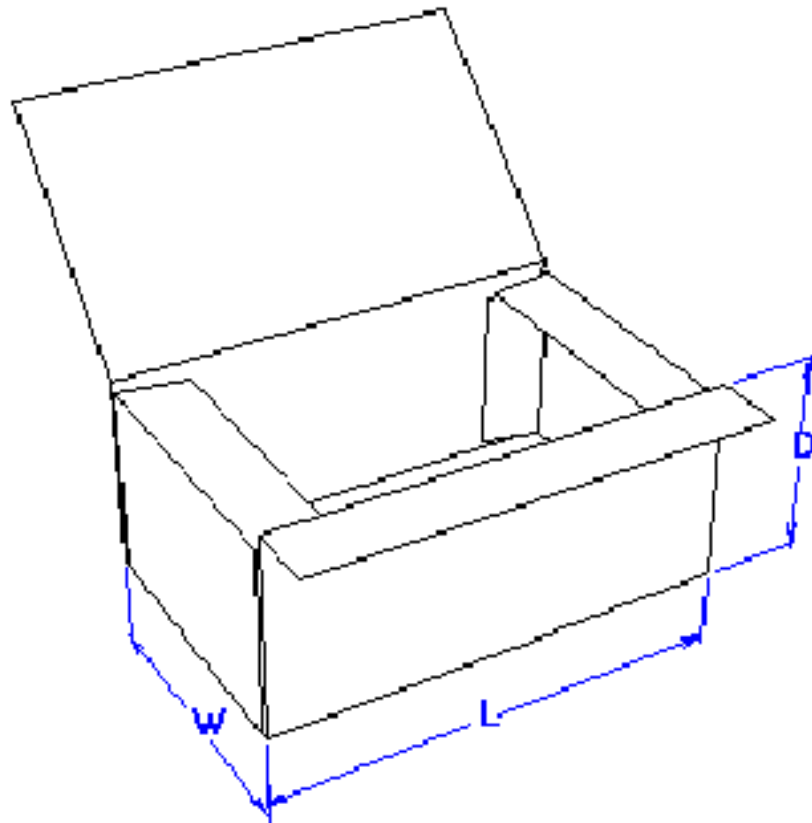


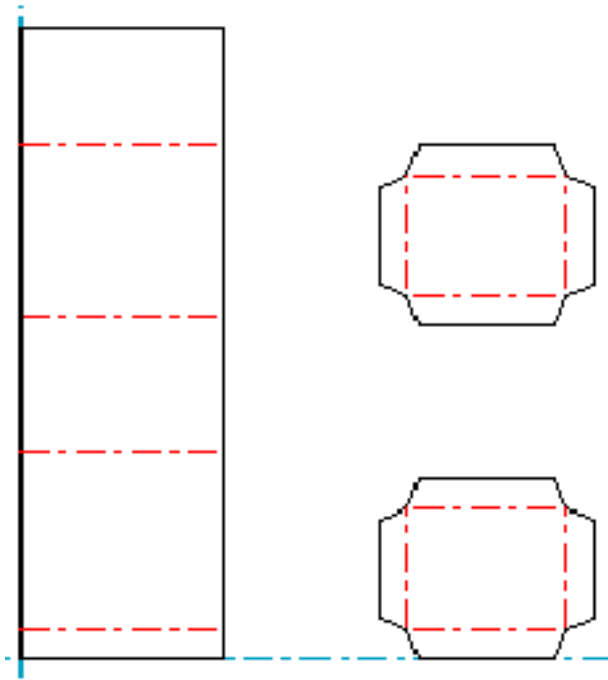


F0607 Body

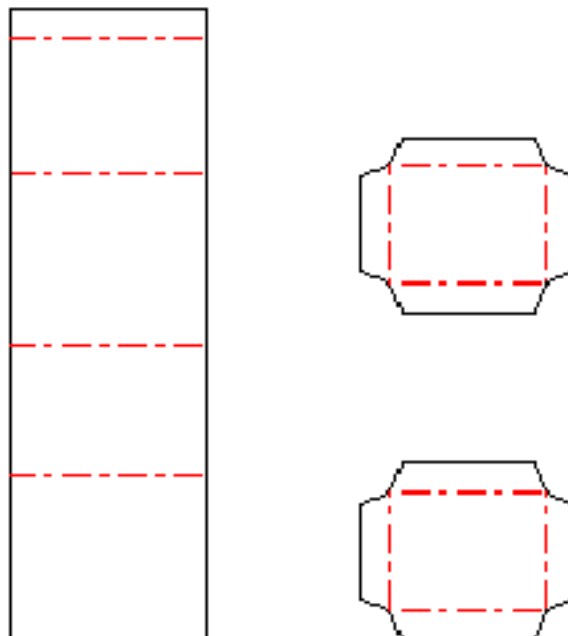
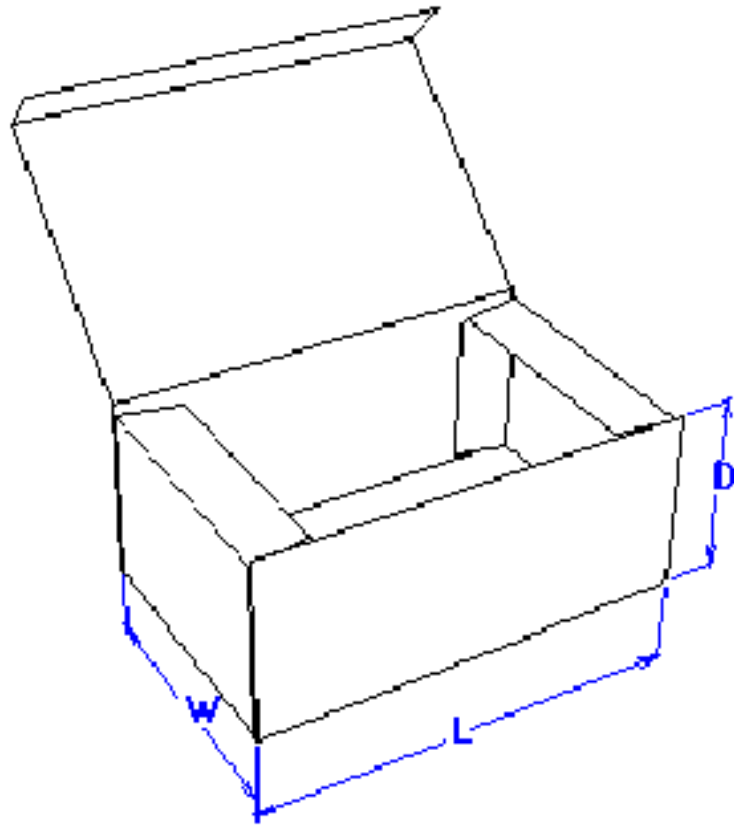


F0607 End Panel

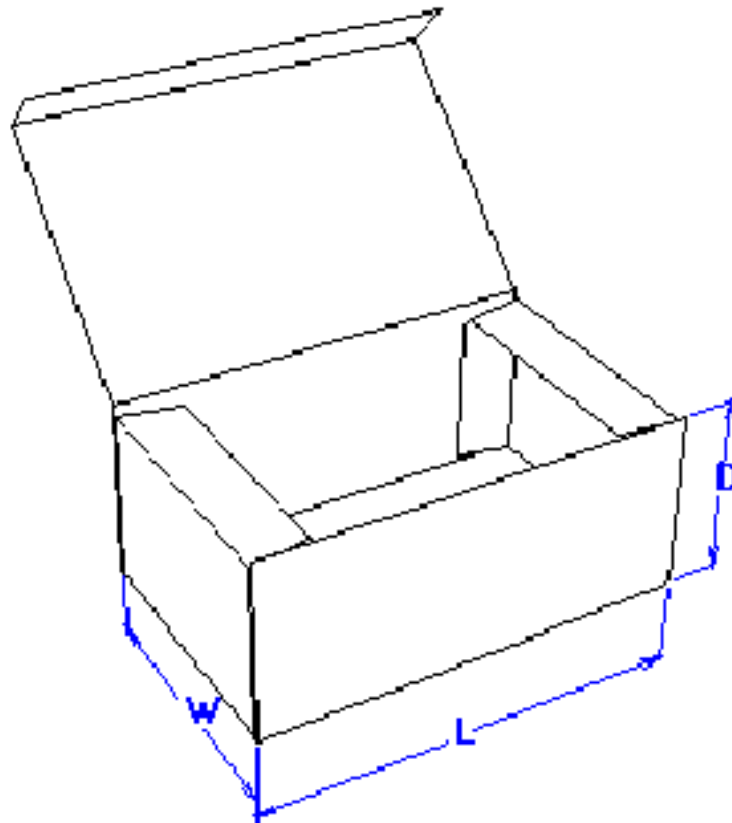


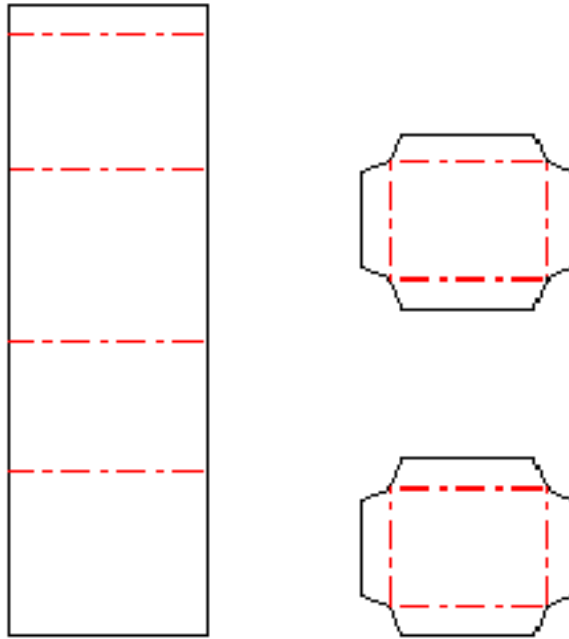


F0608 Body

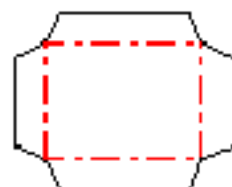
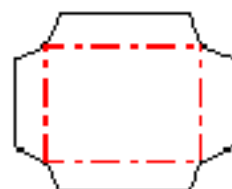
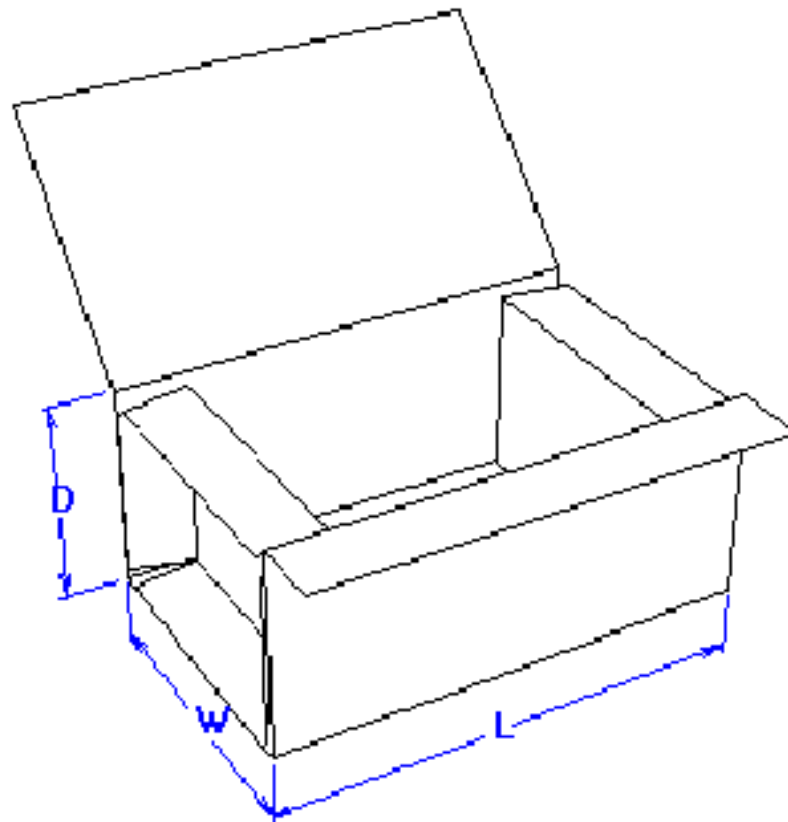


F0608 End Panel

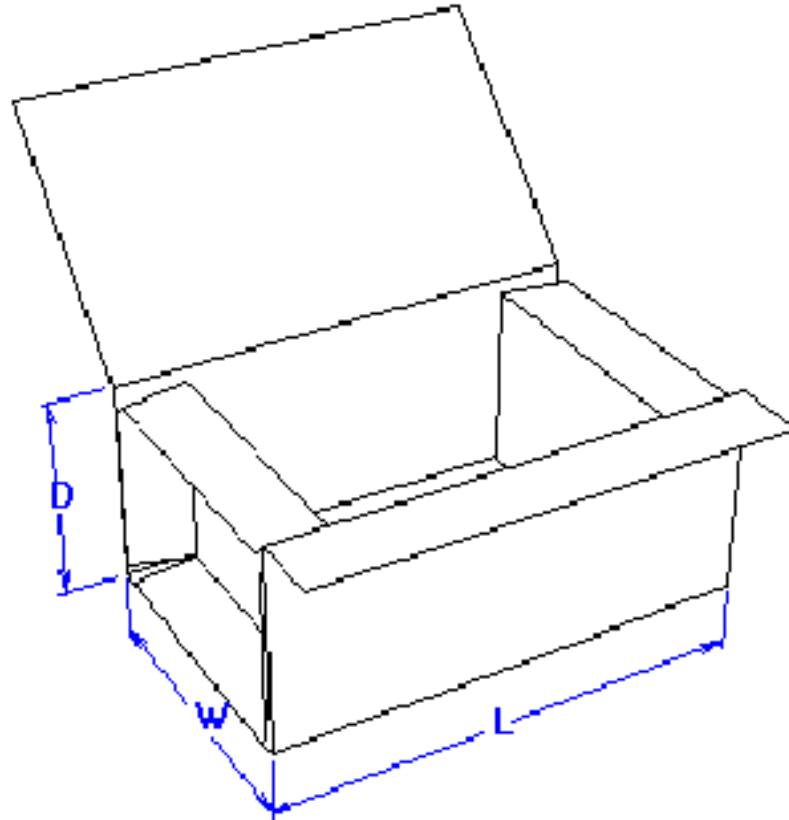


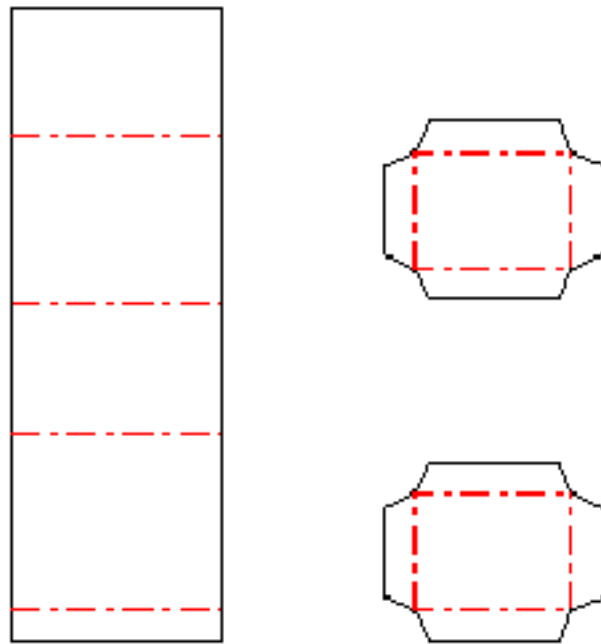


F0610 Body

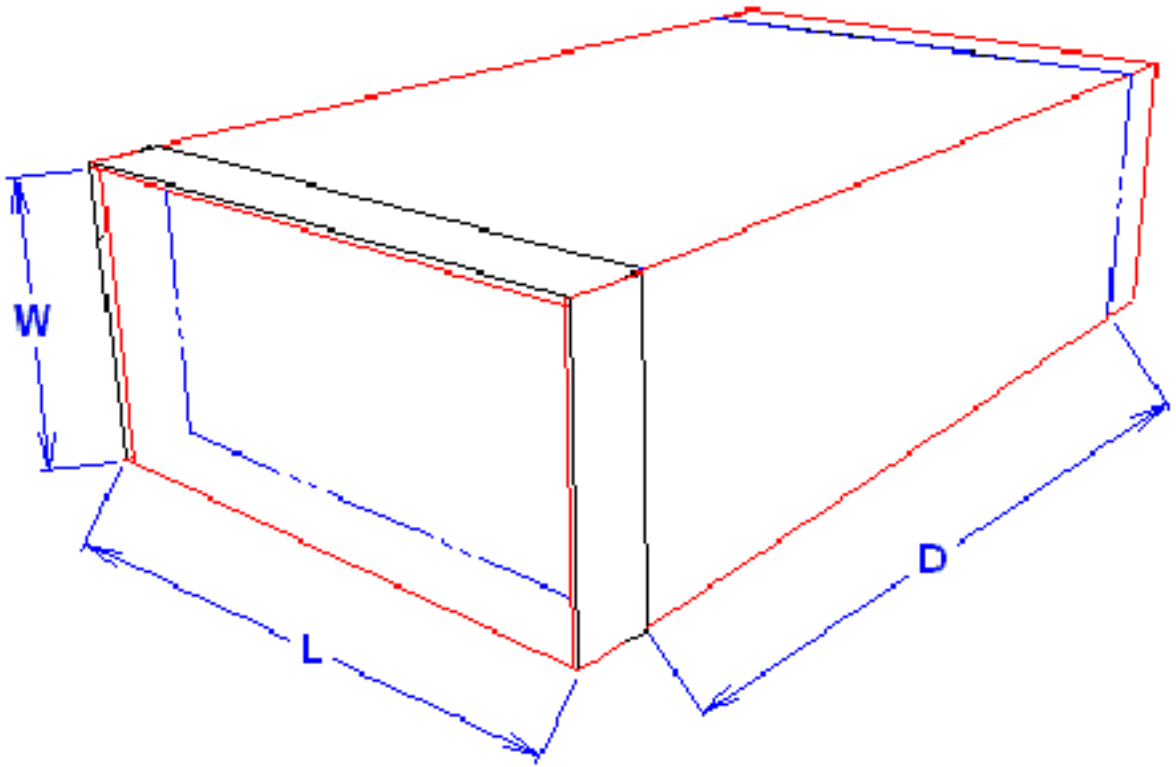


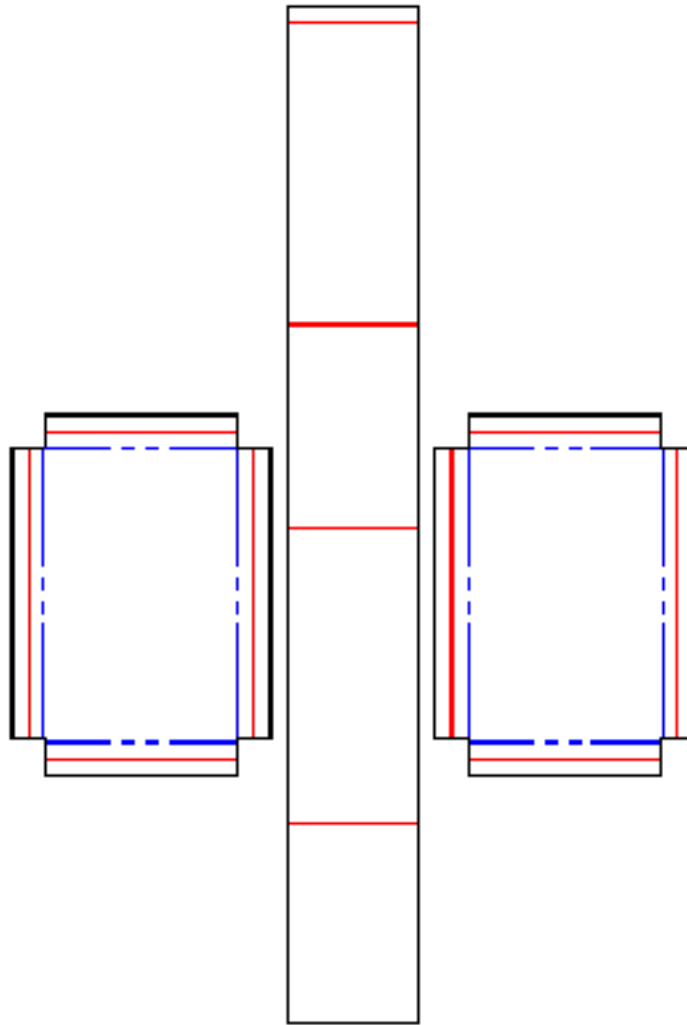
F0610 End Panel



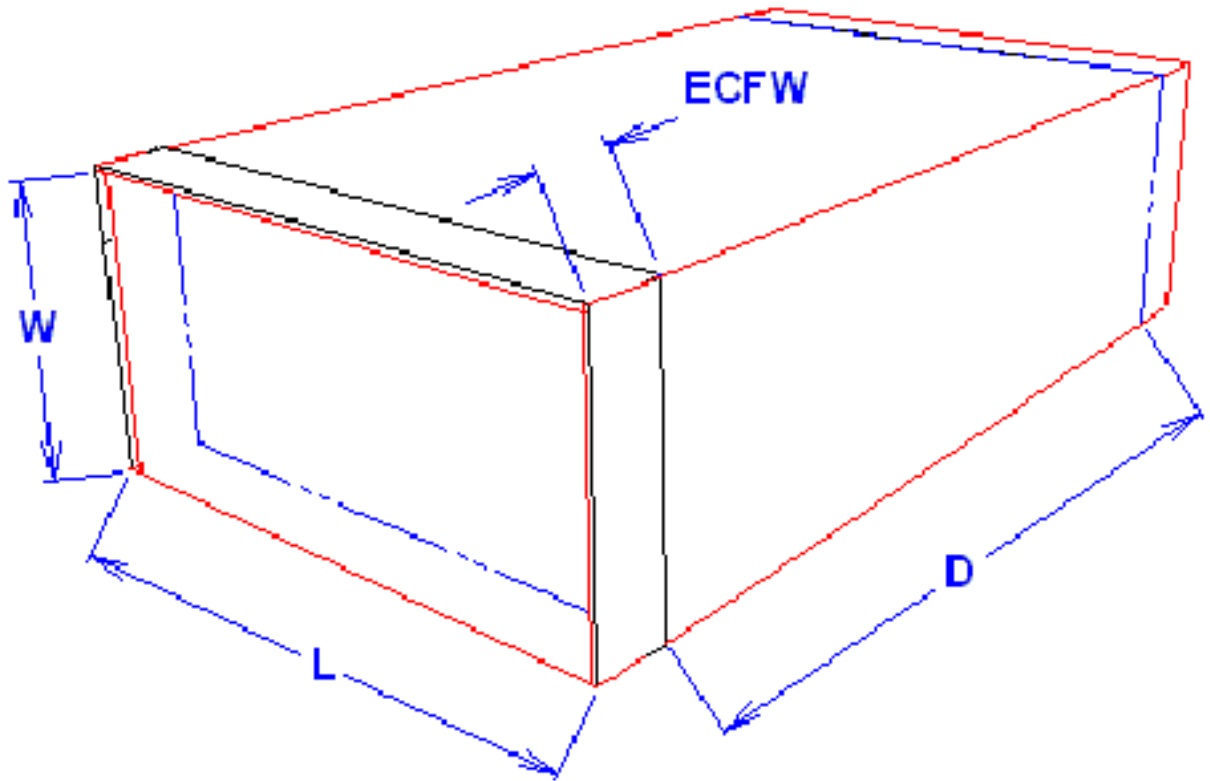


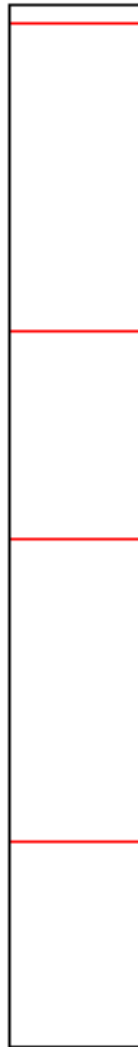
F0615



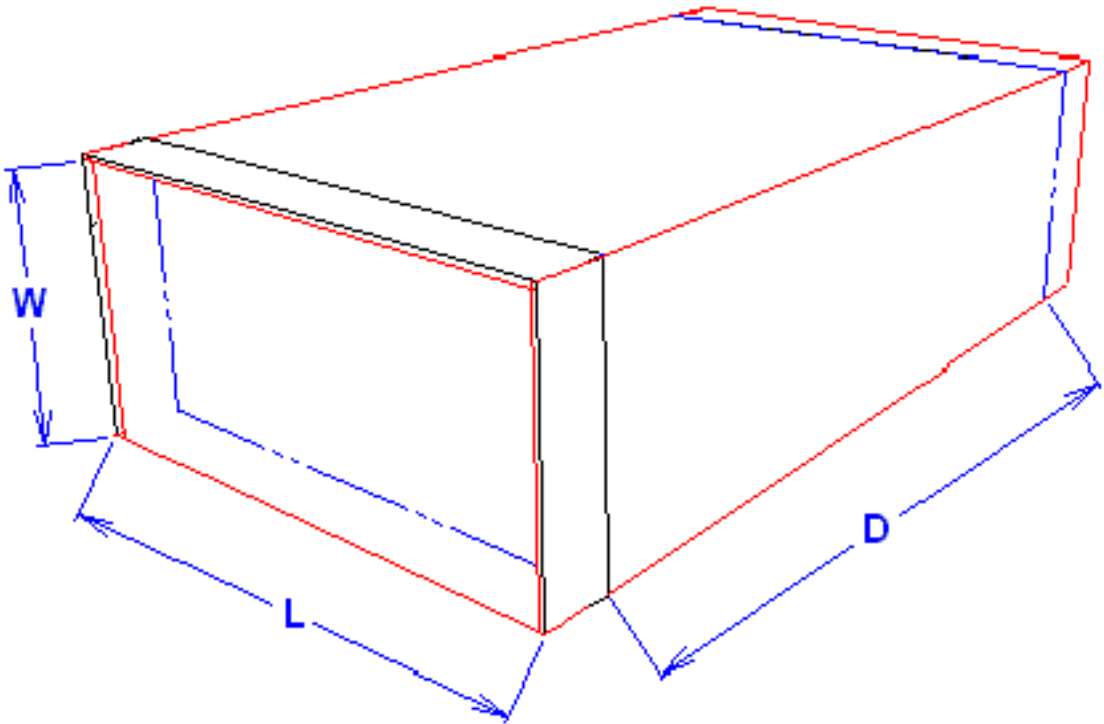


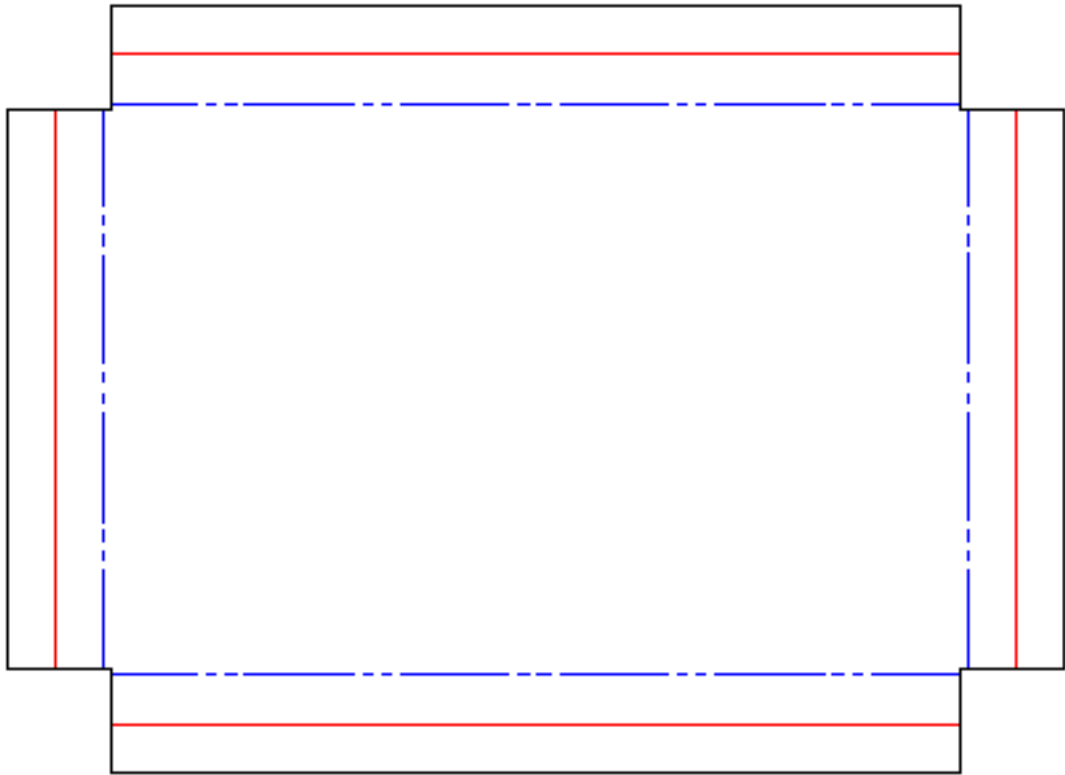
F0615a



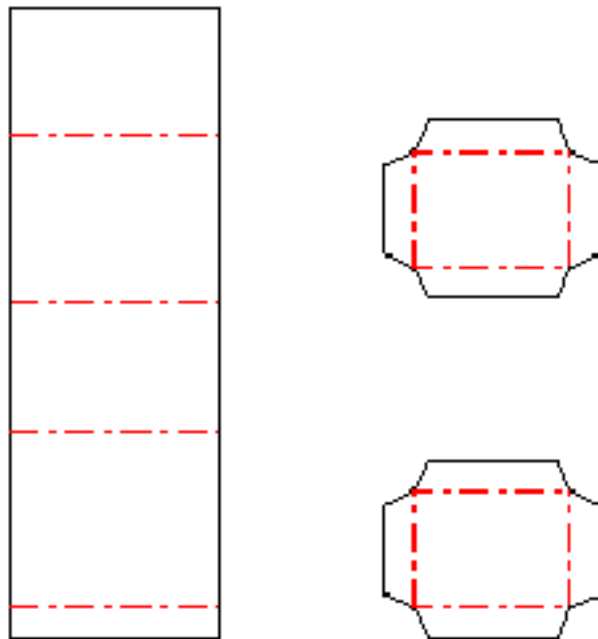
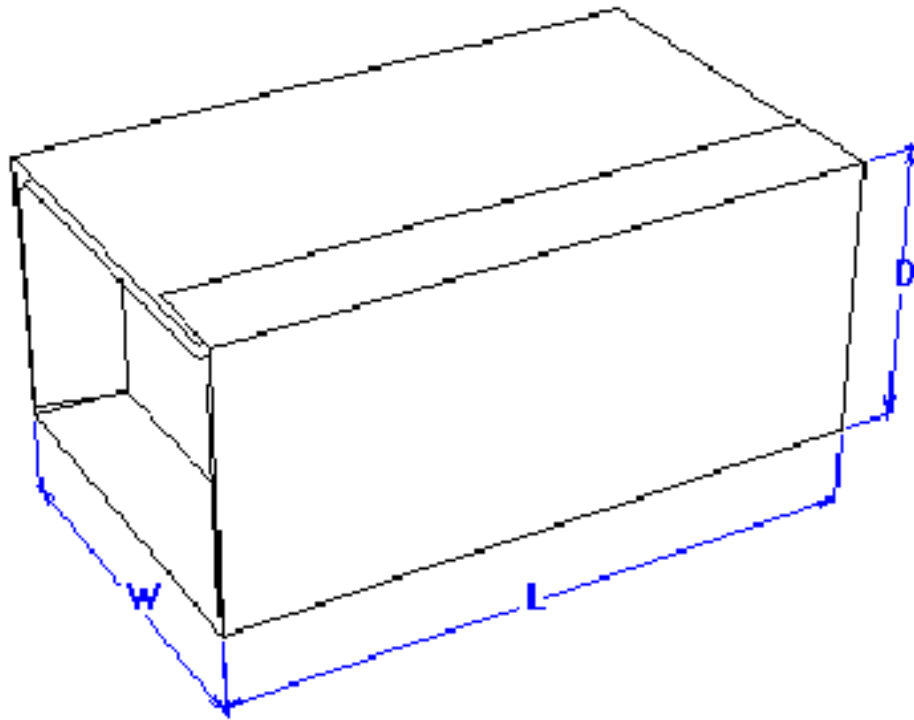


F0615b

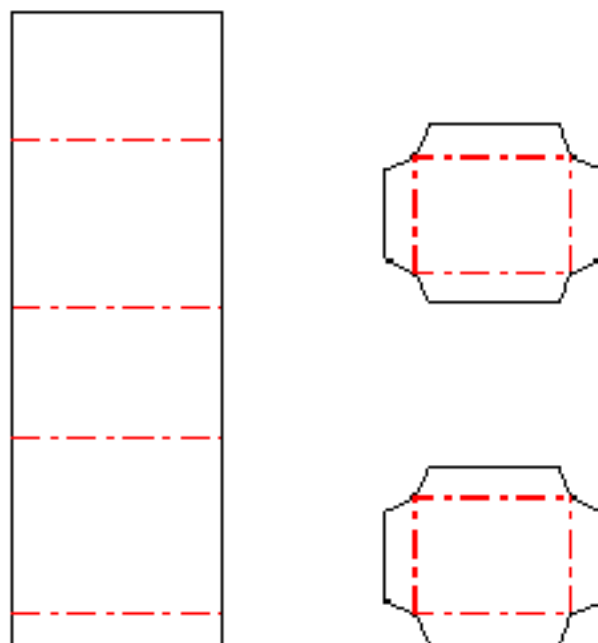
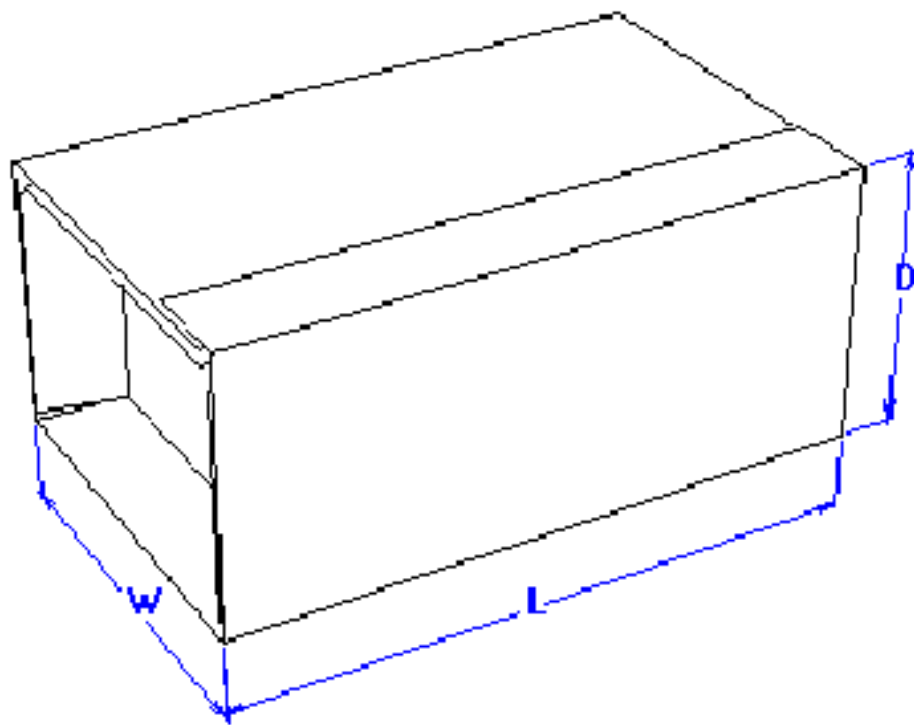




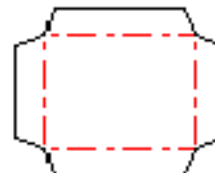
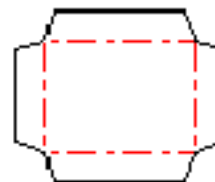
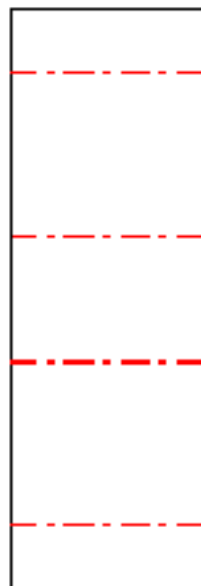
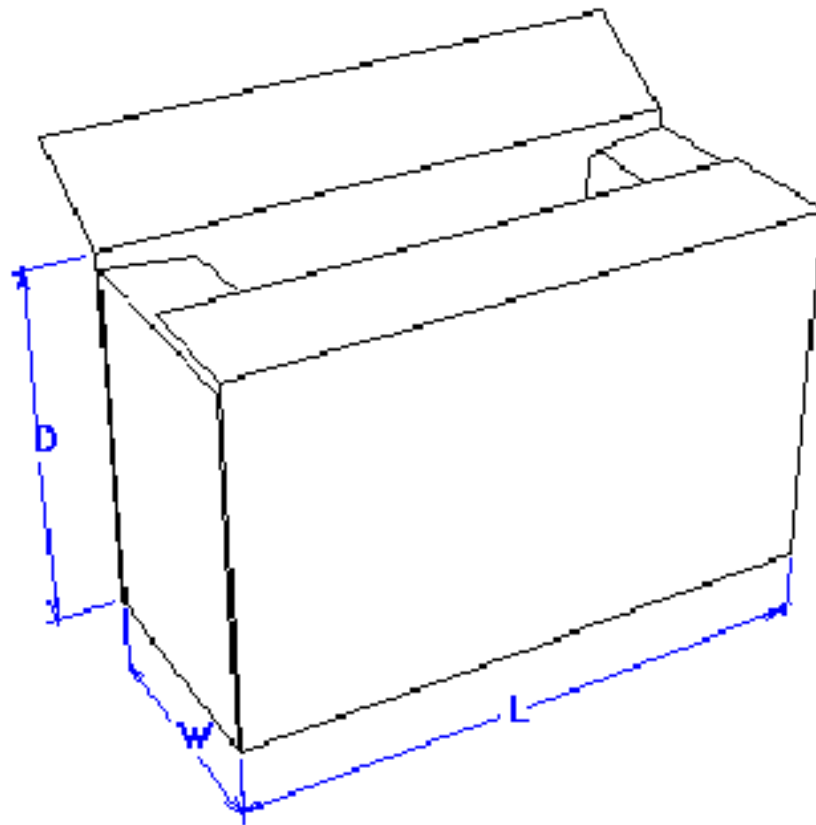
F0616 Body



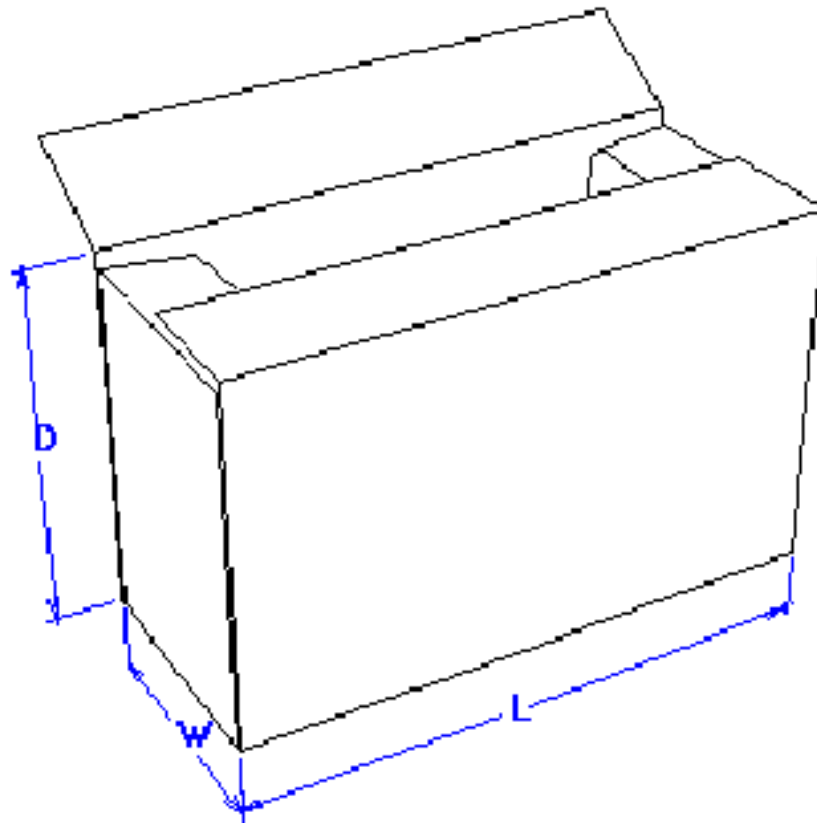
F0616 End Panel

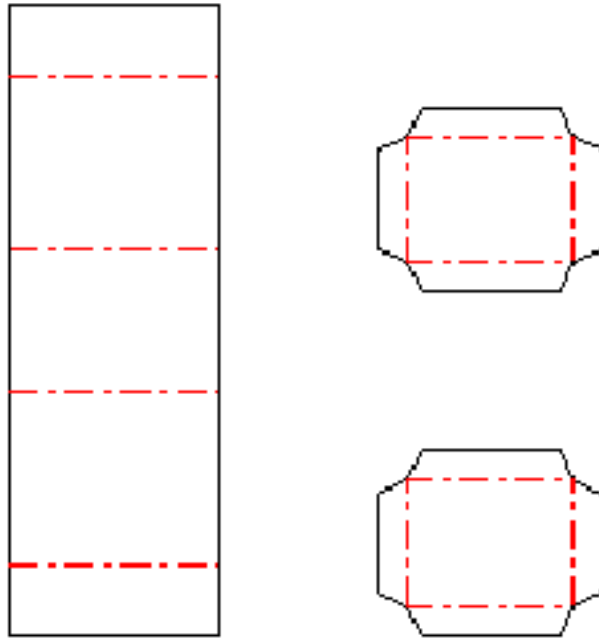


F0620 Body

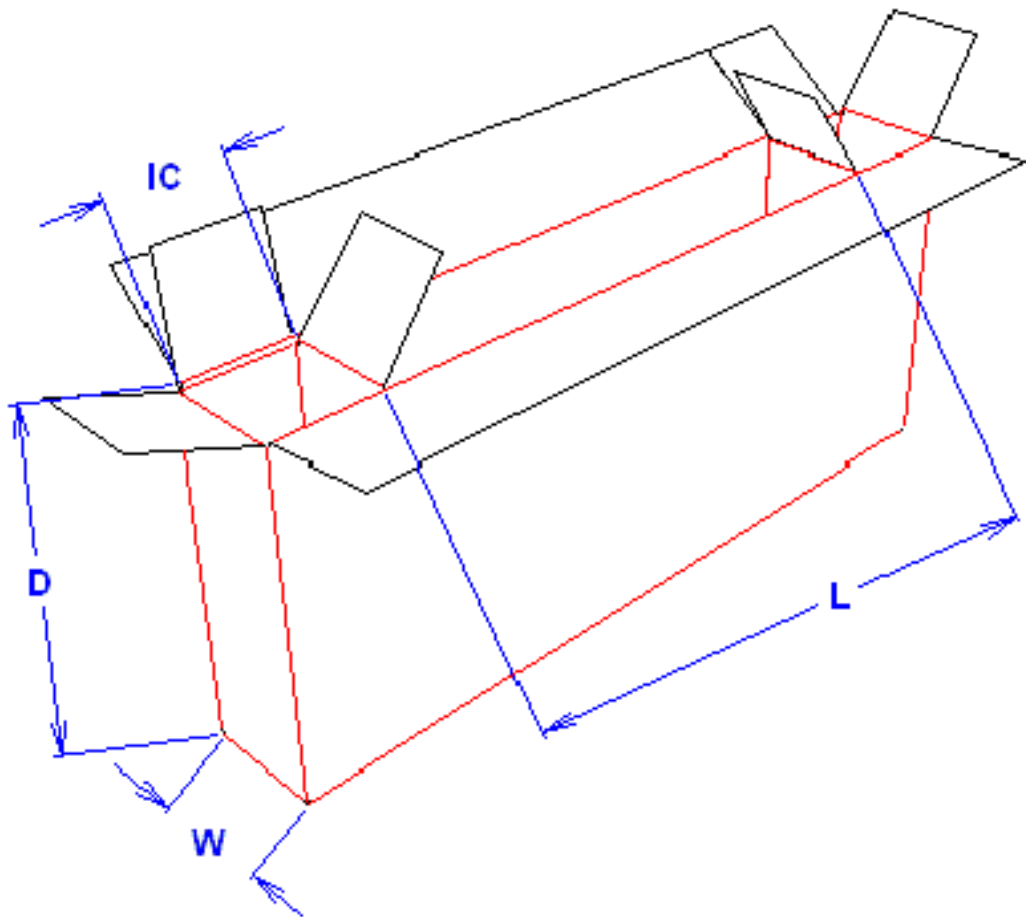


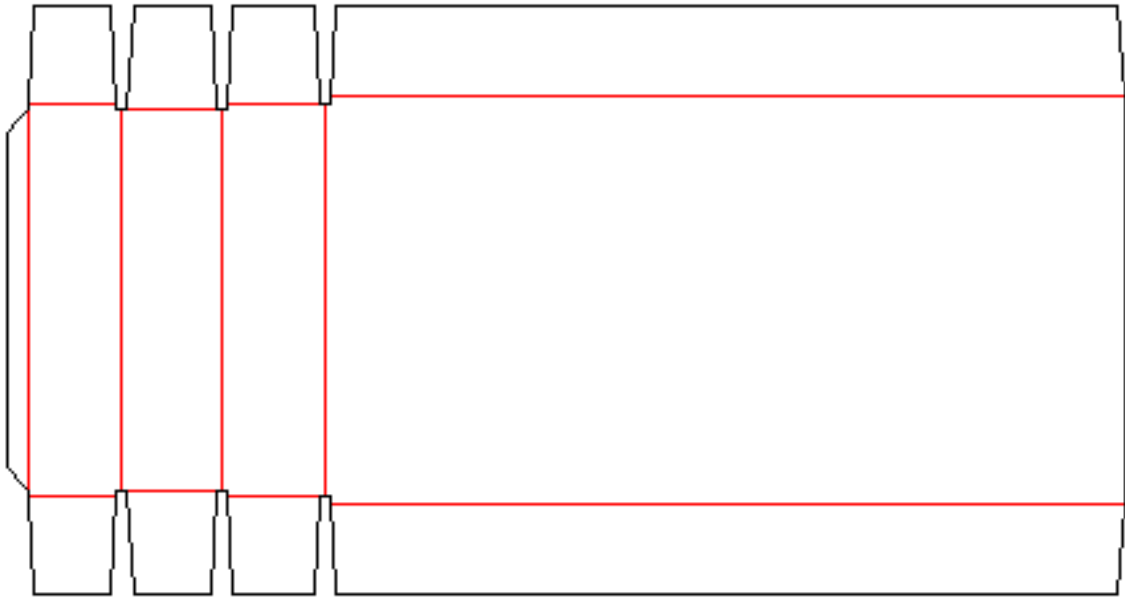
F0620 End Panel





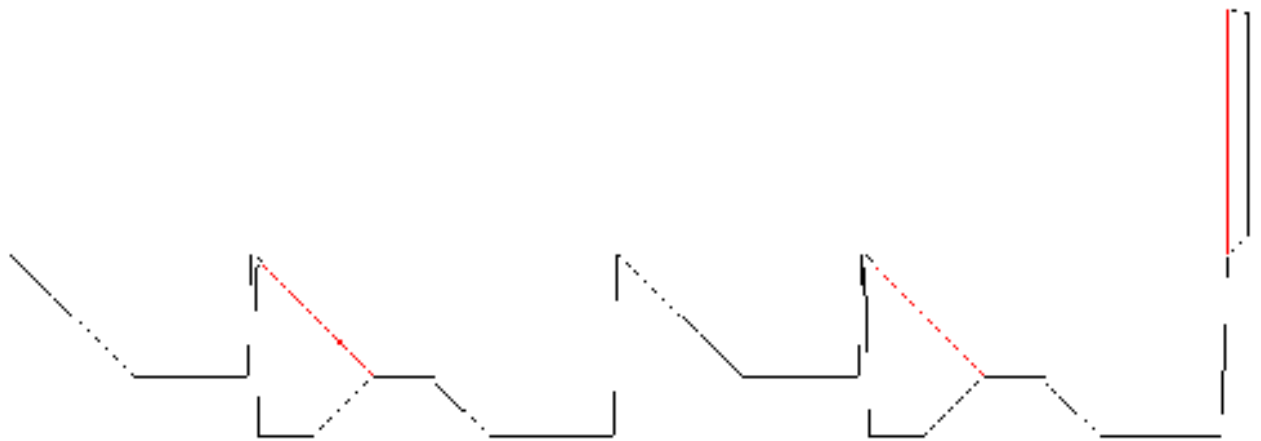
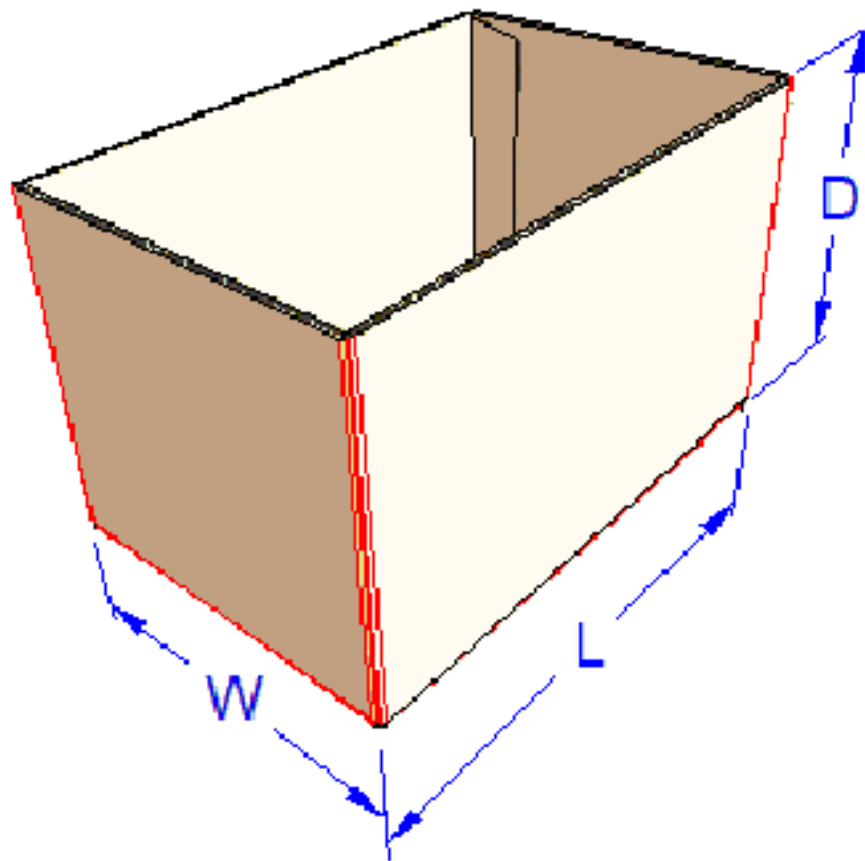
F0621



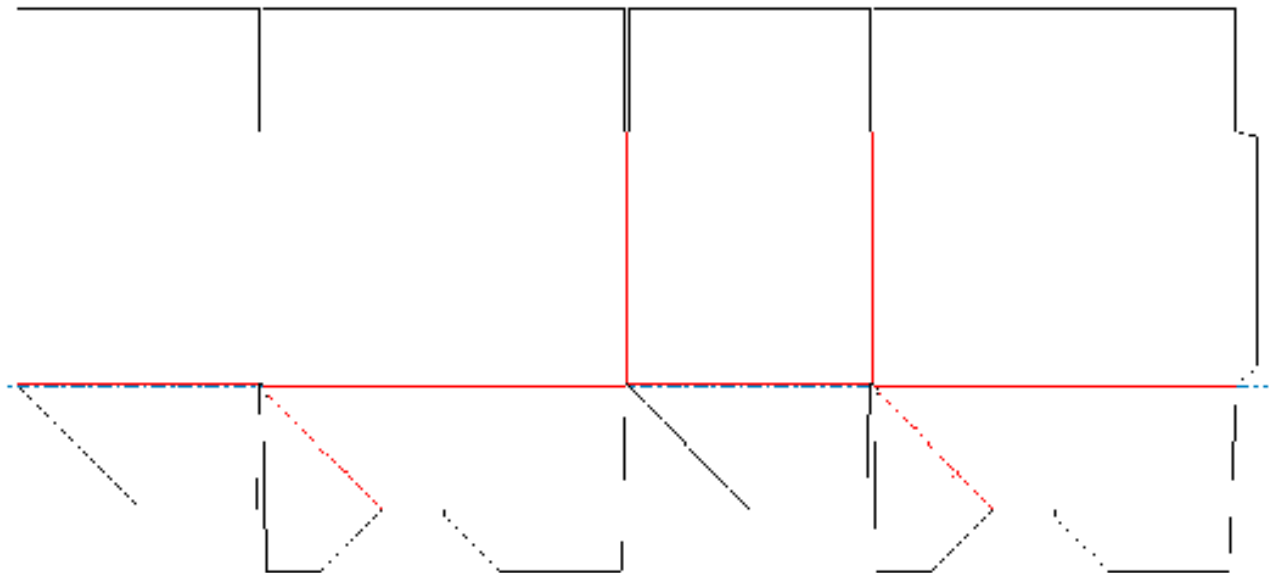
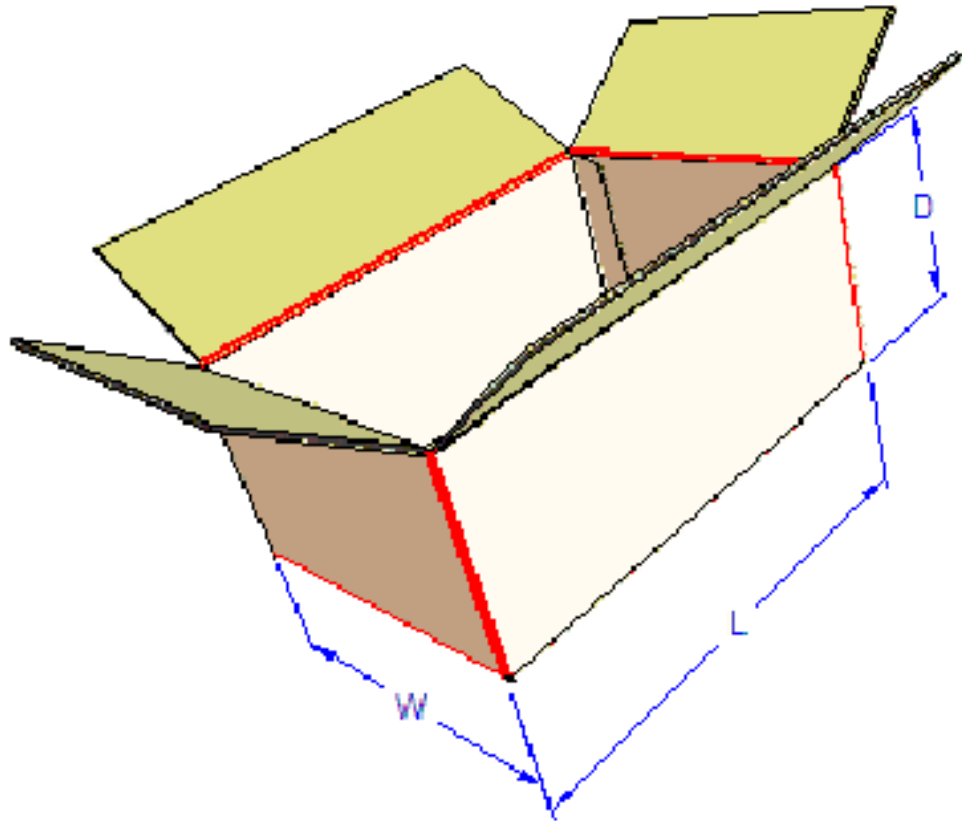


FEFCO Standards - 700 Series

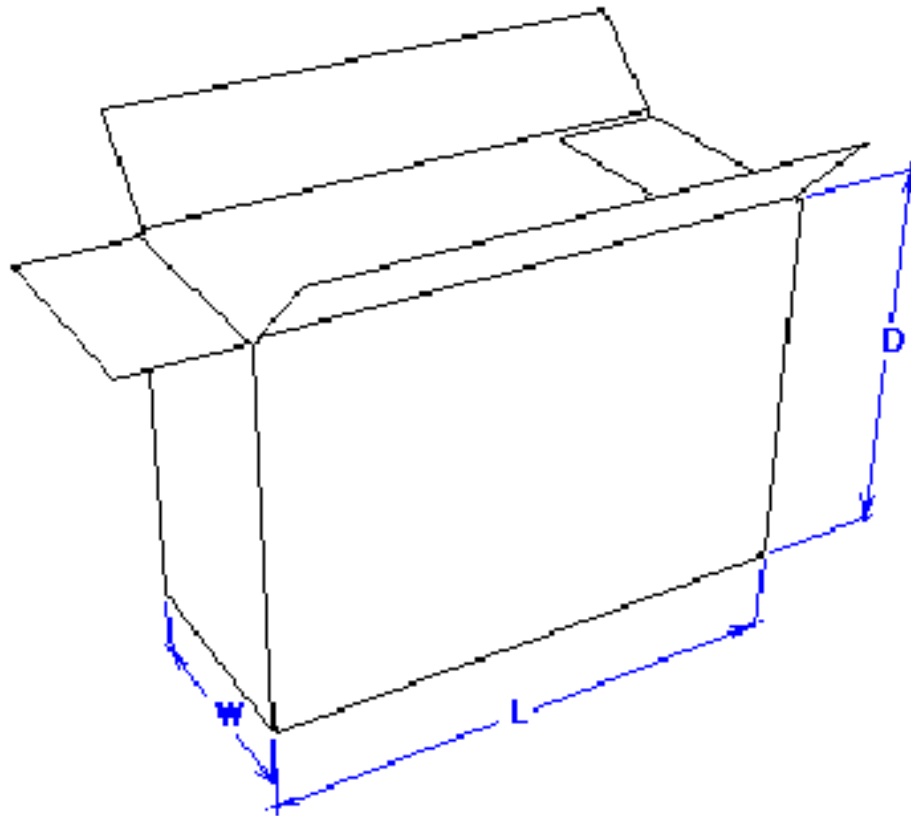
F0700

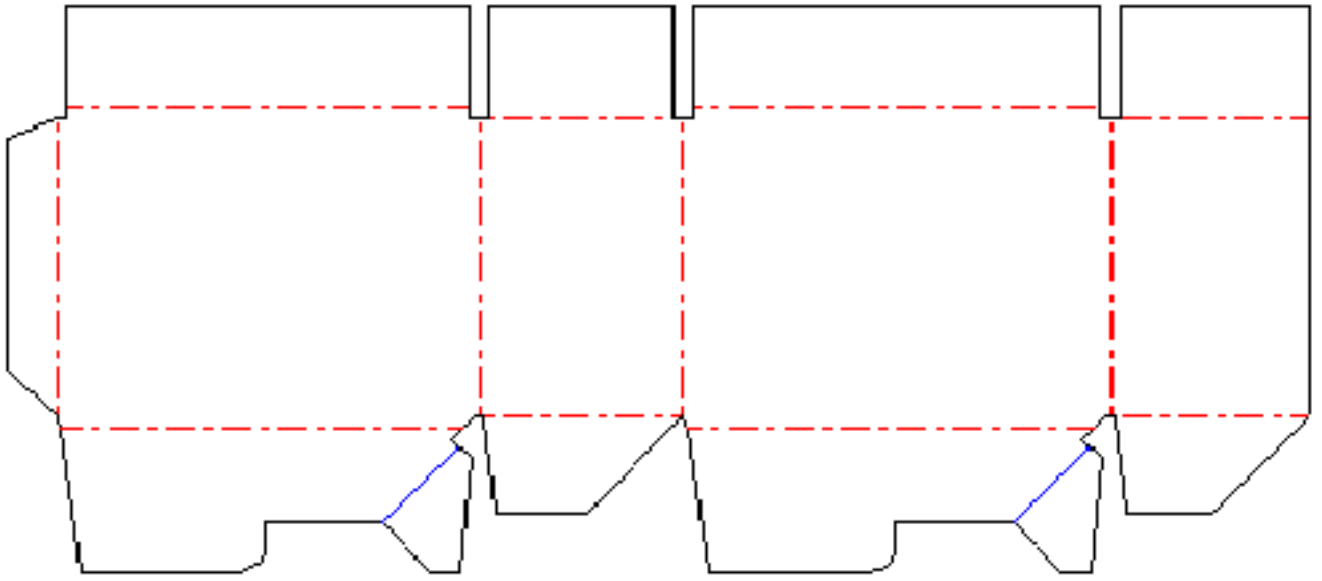


F0711

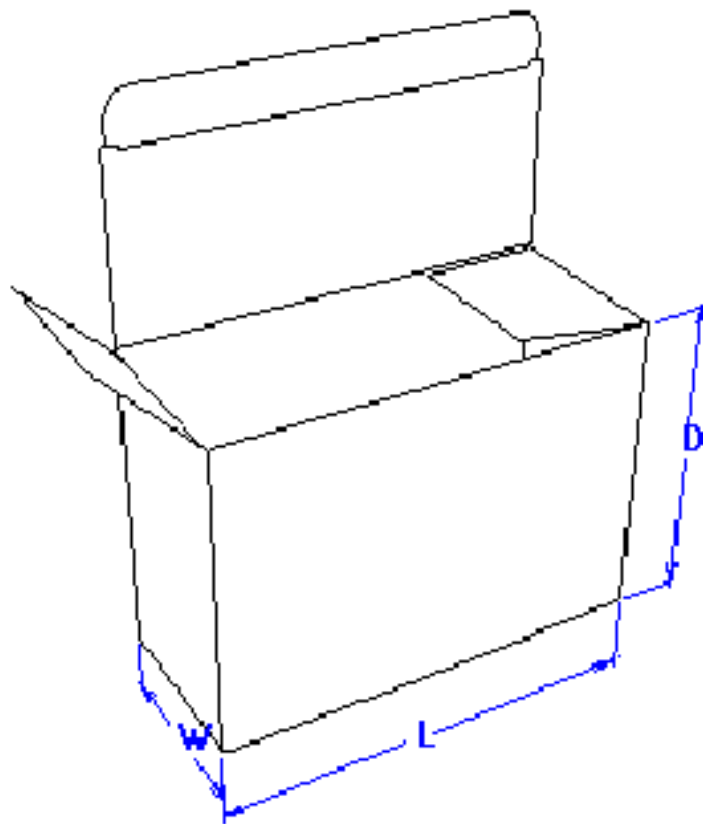


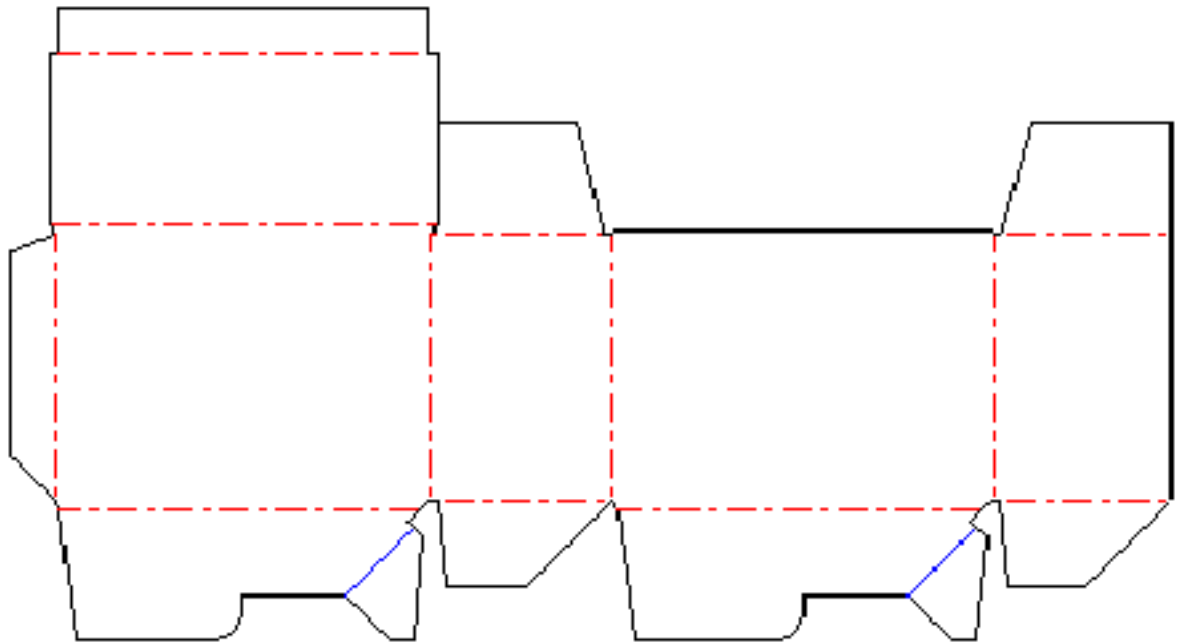
F0712



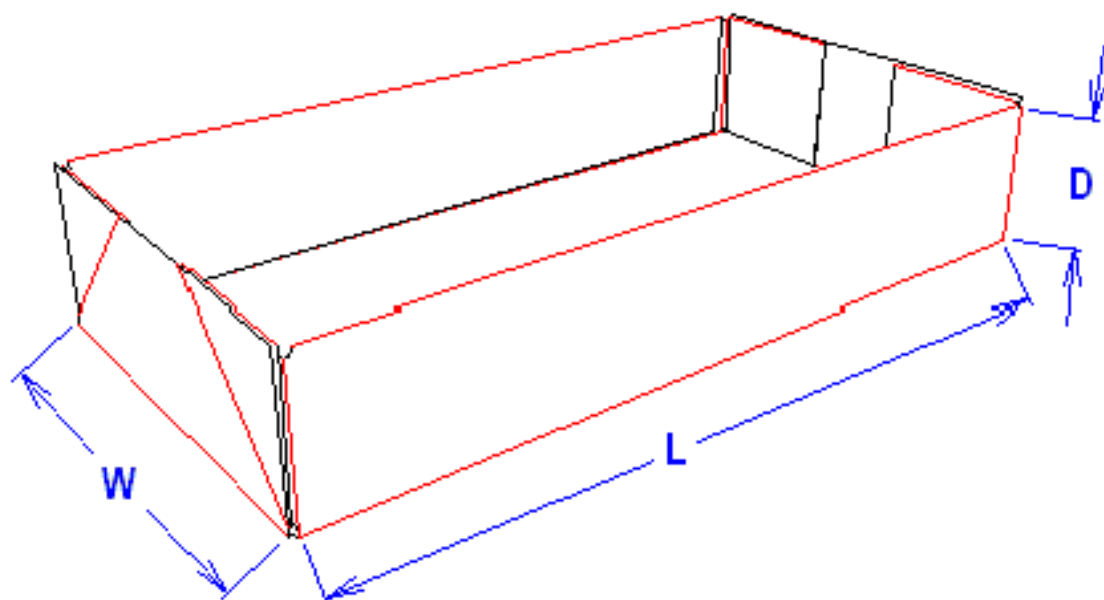


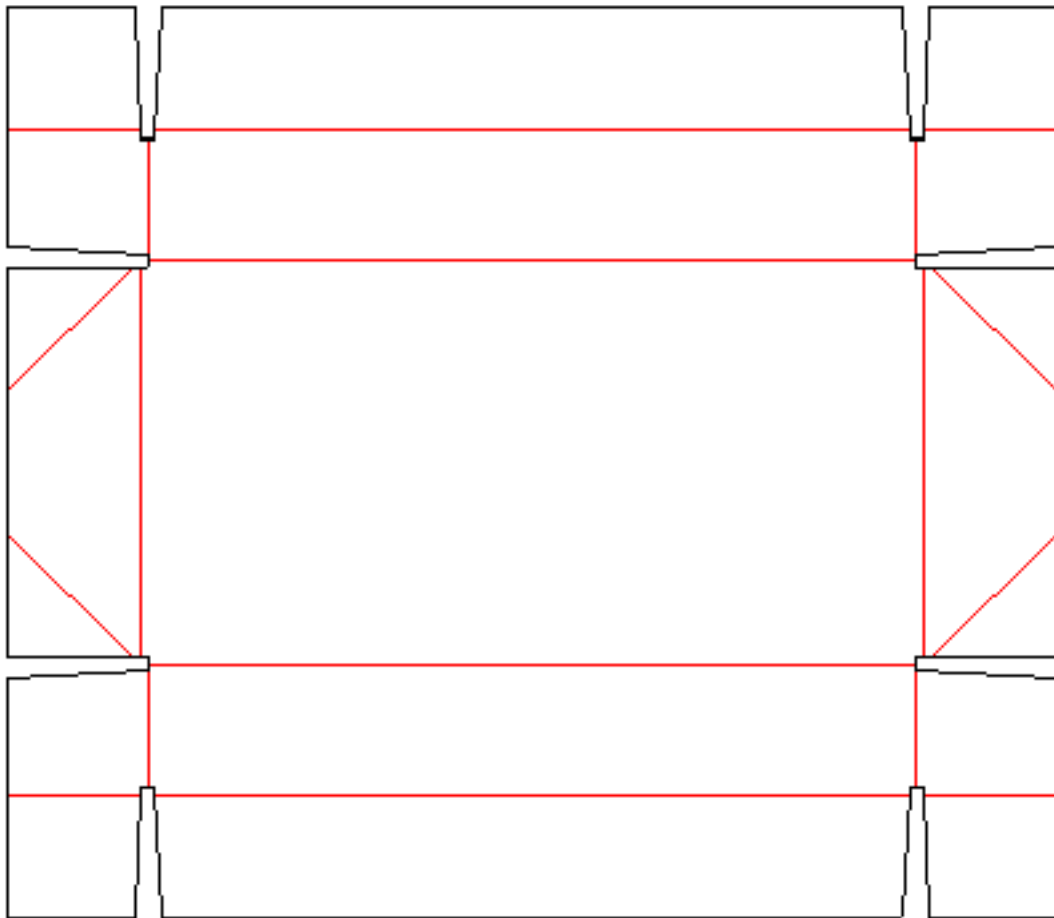
F0713



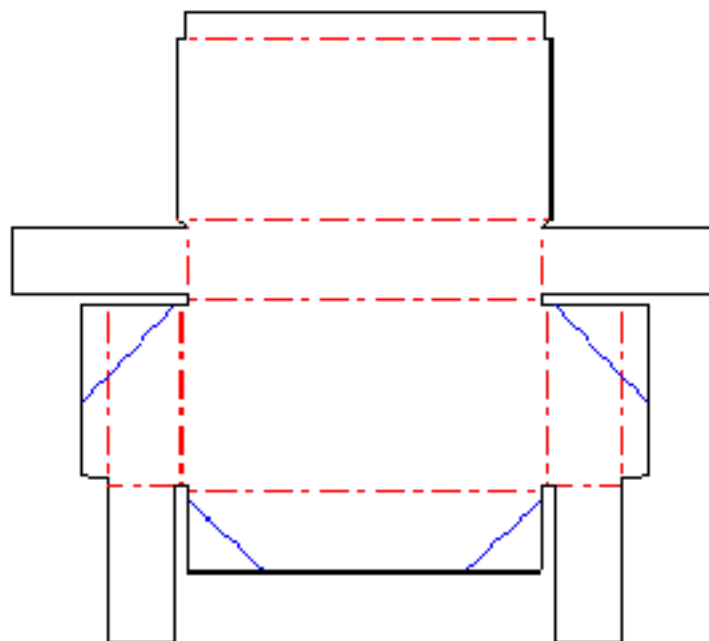
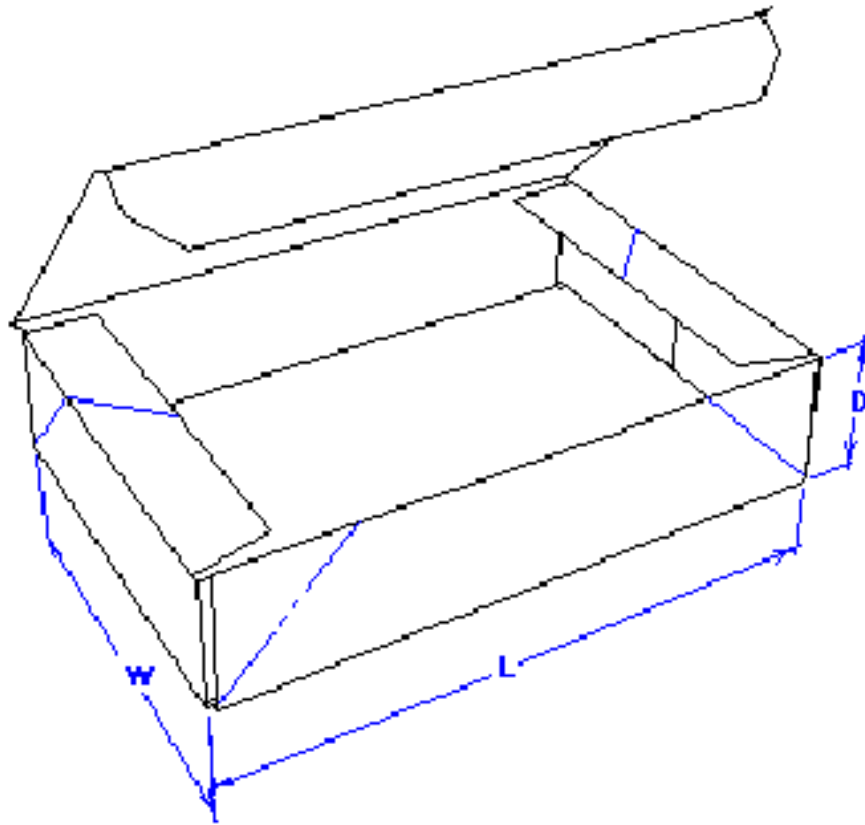


F0718

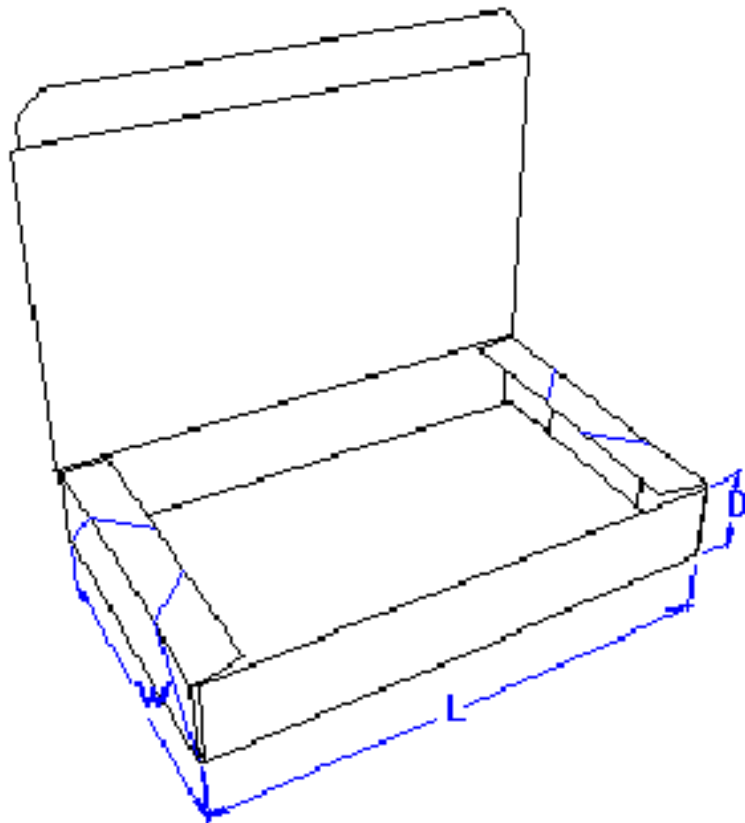


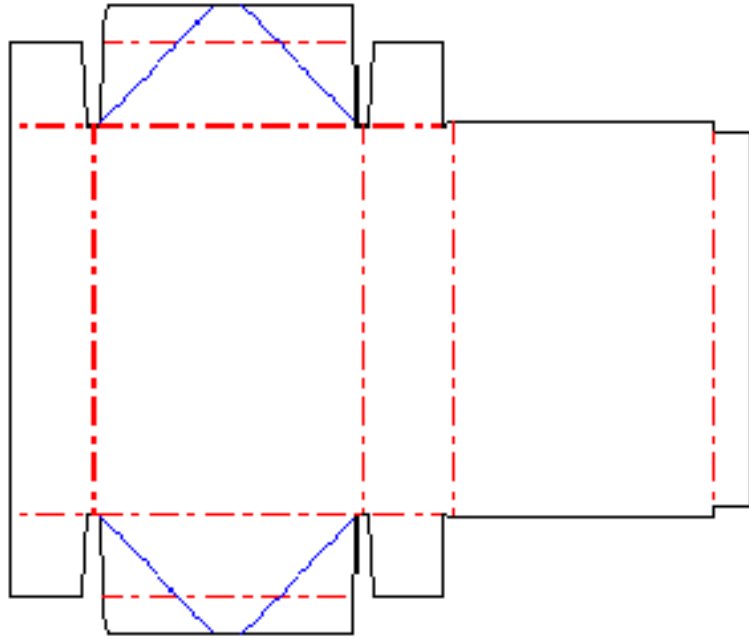


F0747

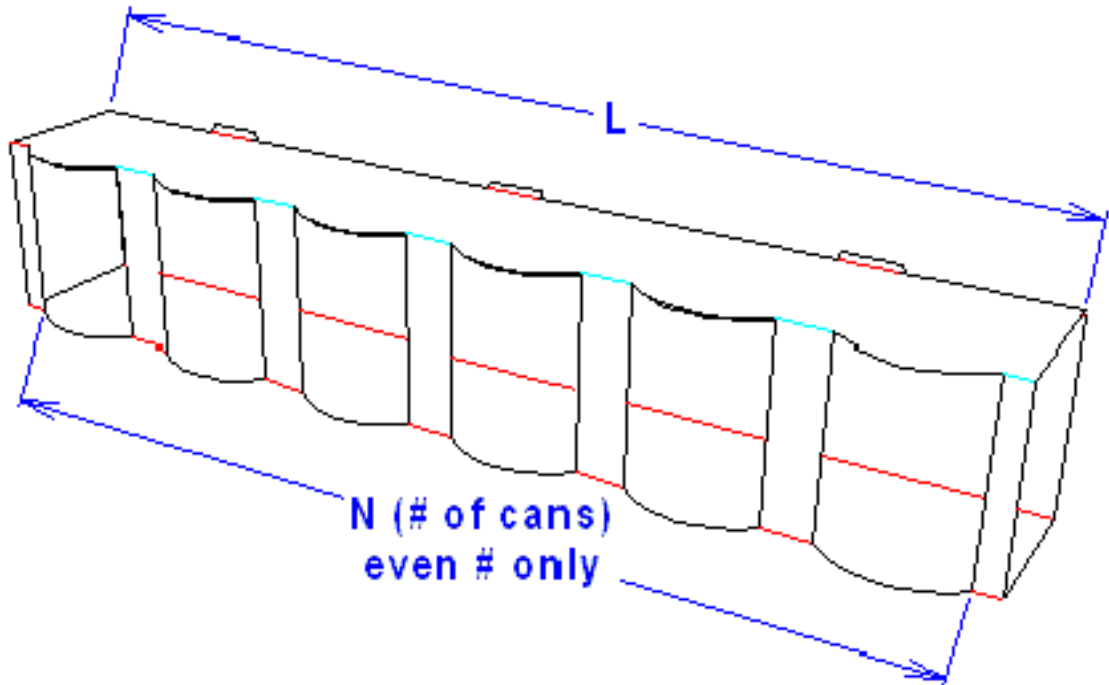


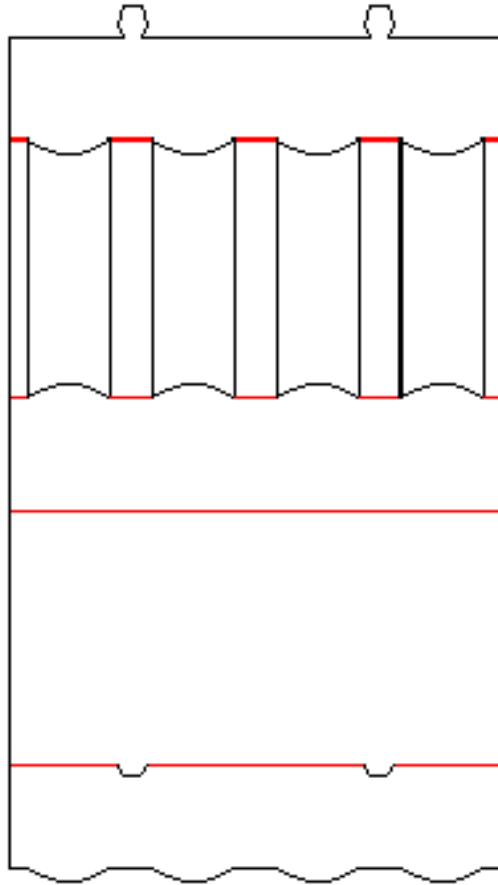
F0748



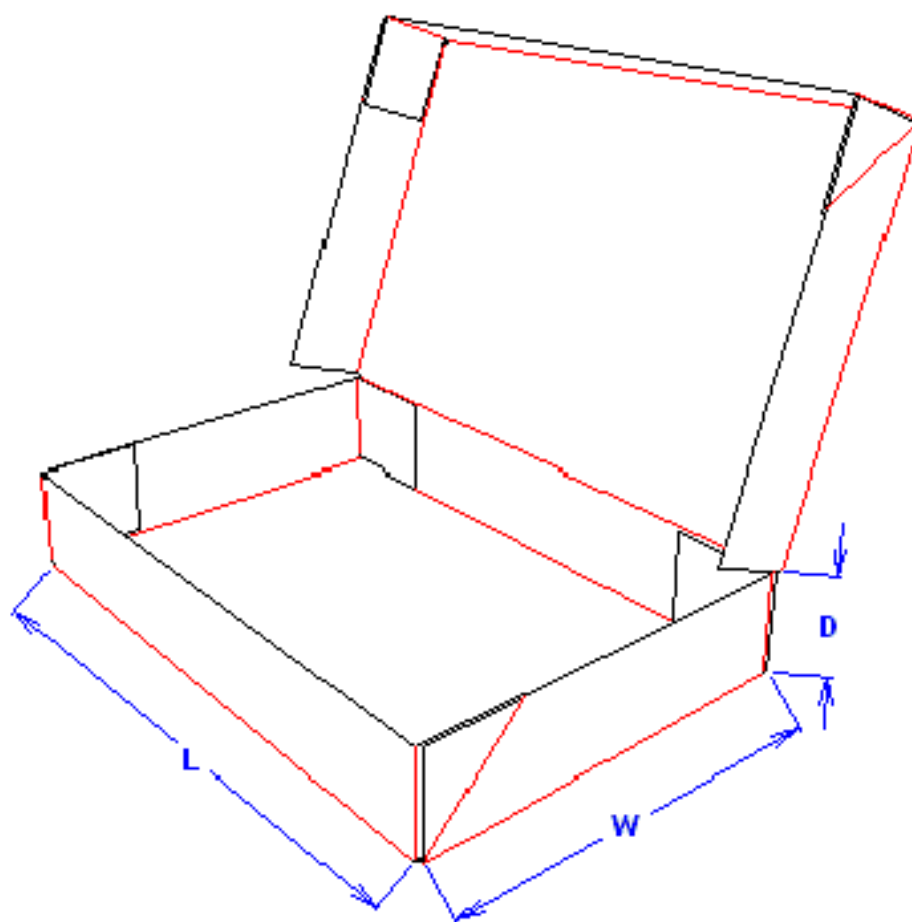


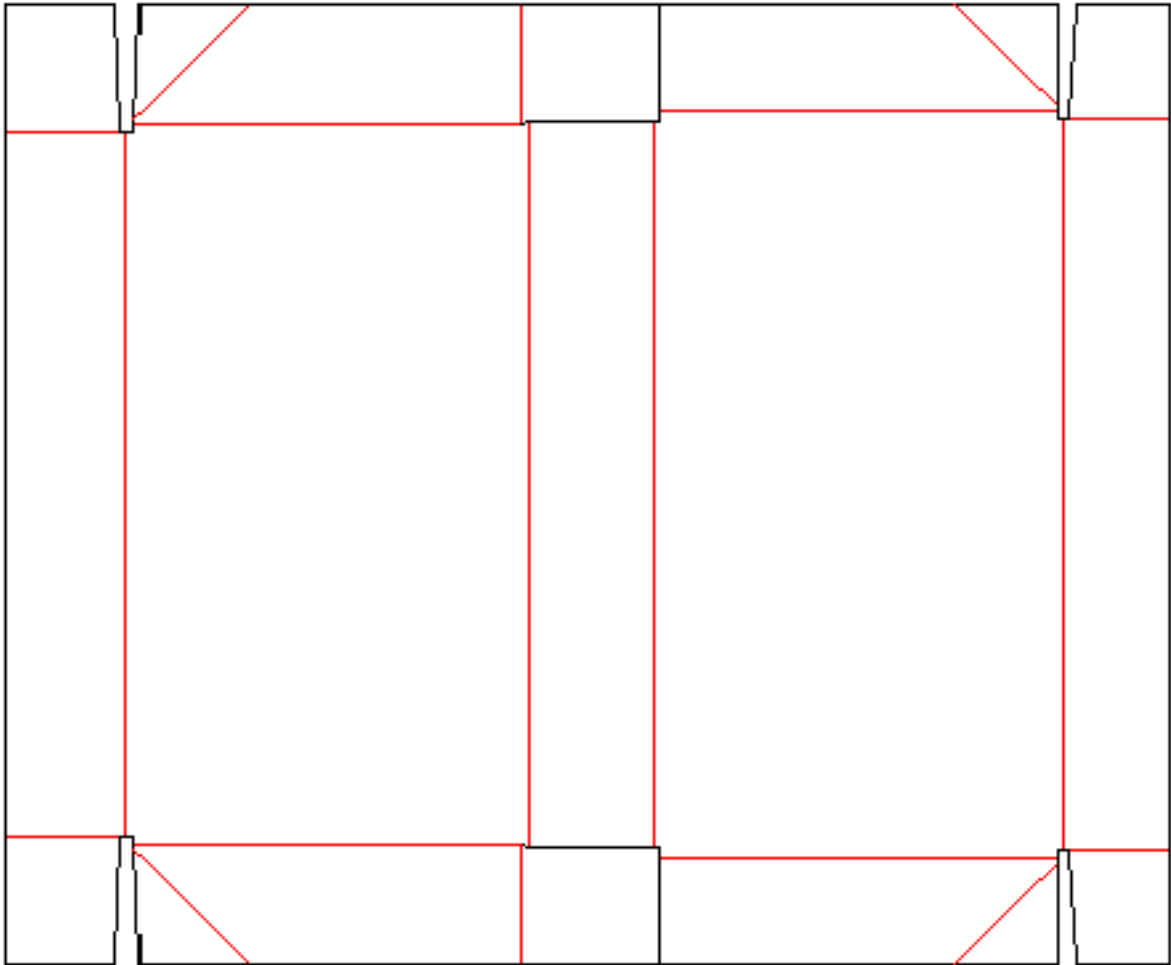
F0752



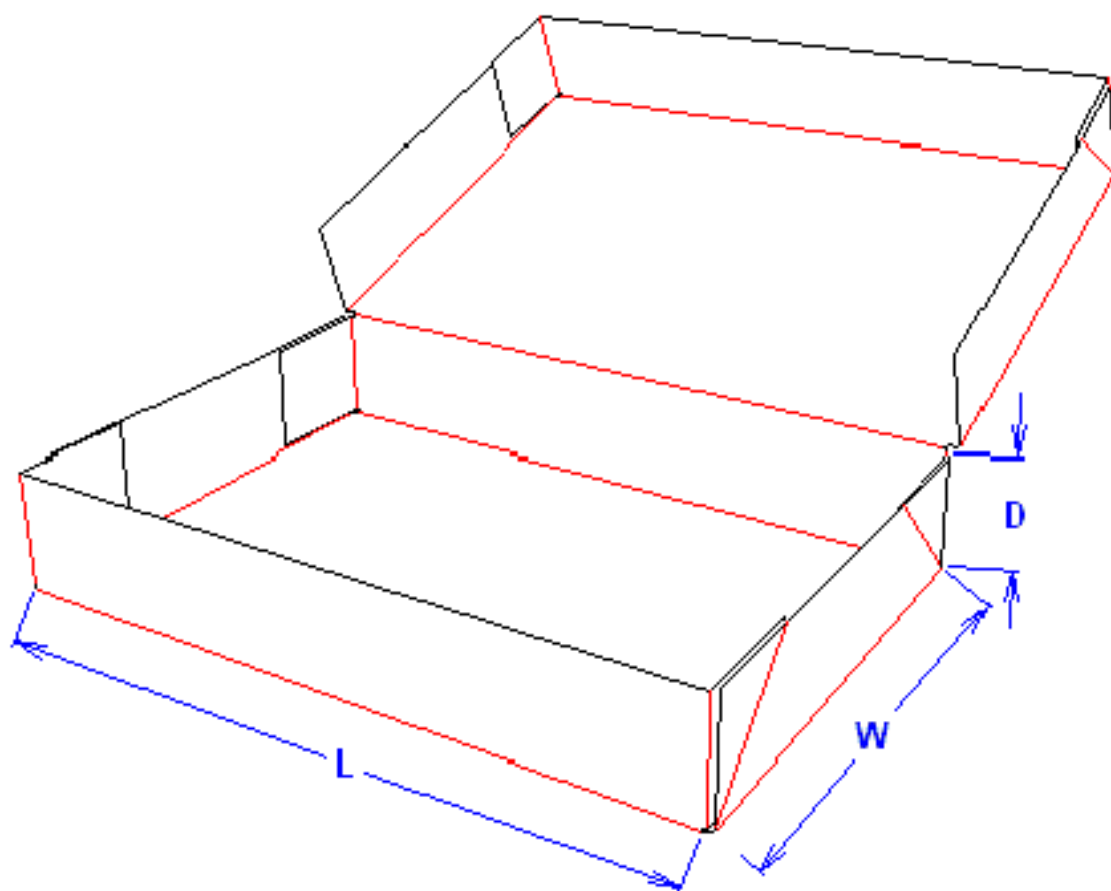


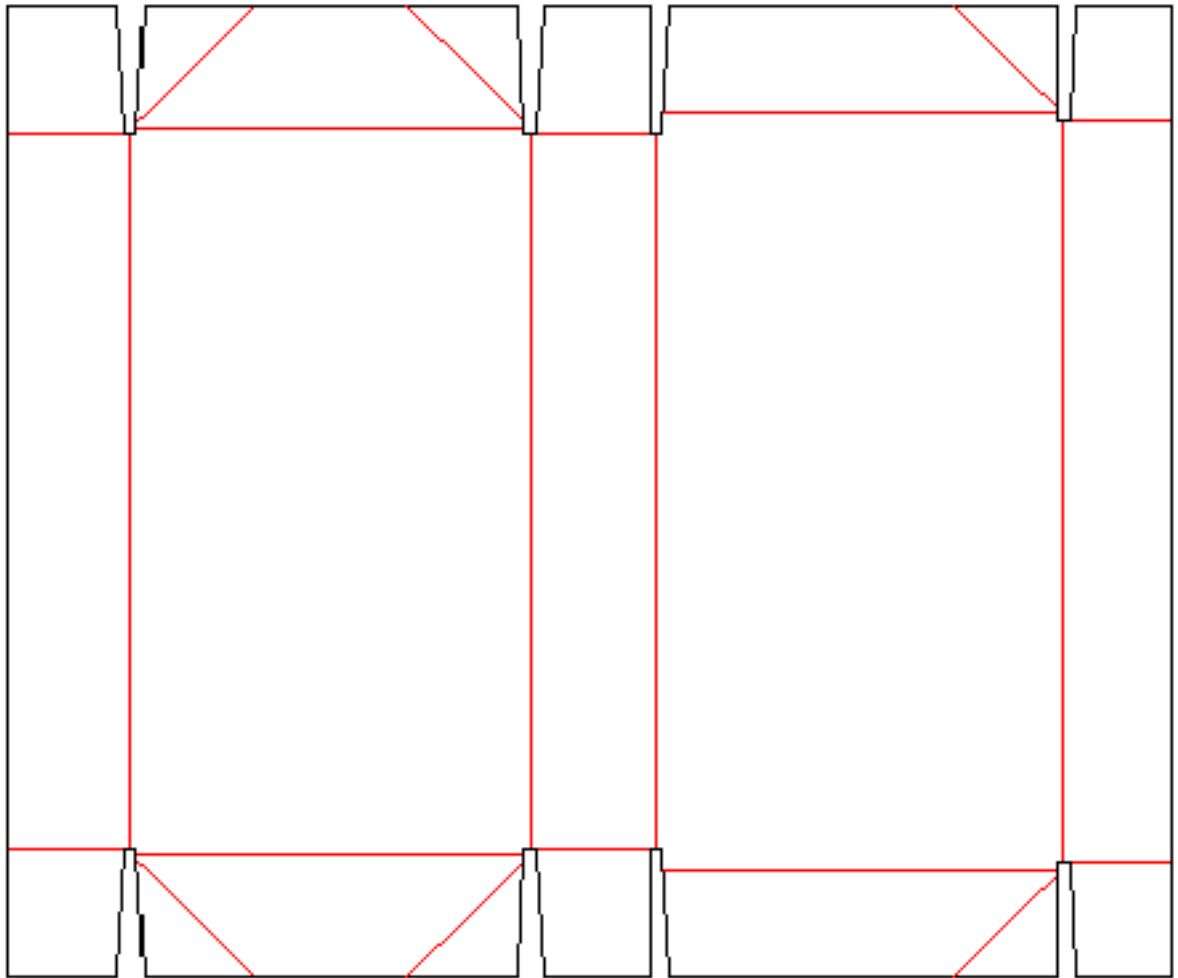
F0759



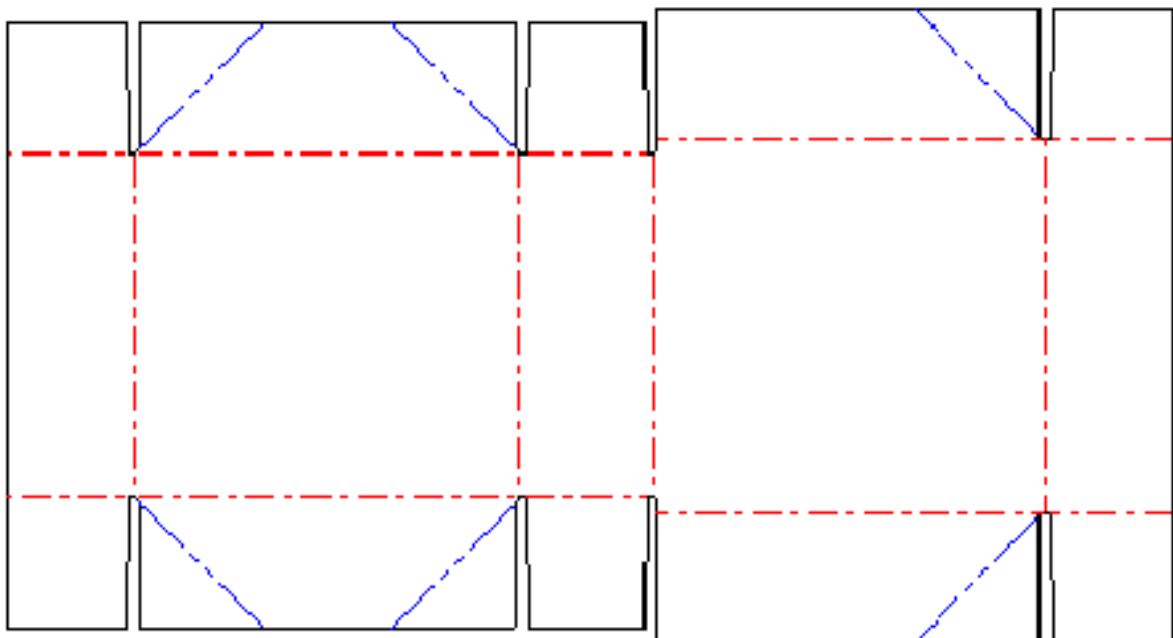
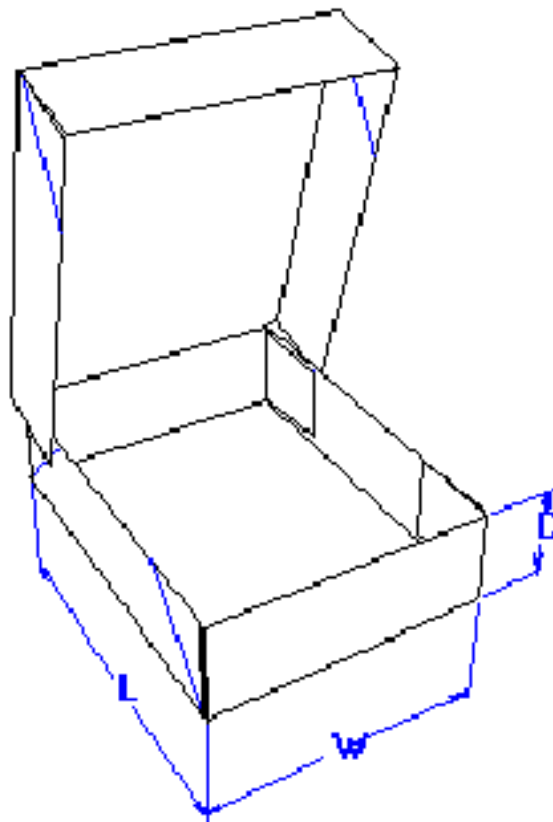


F0760



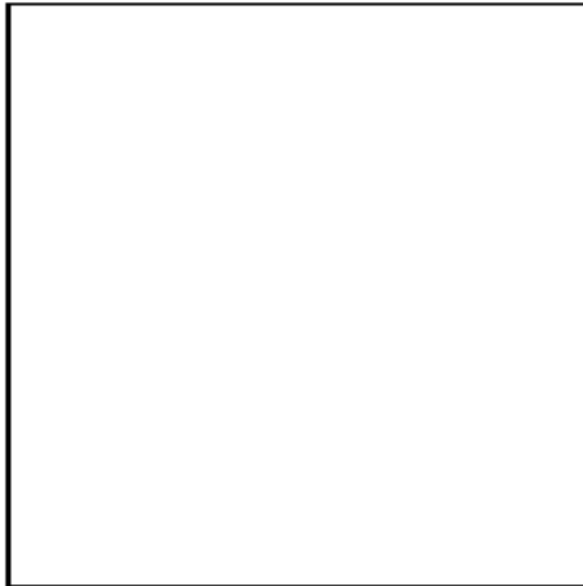


F0761

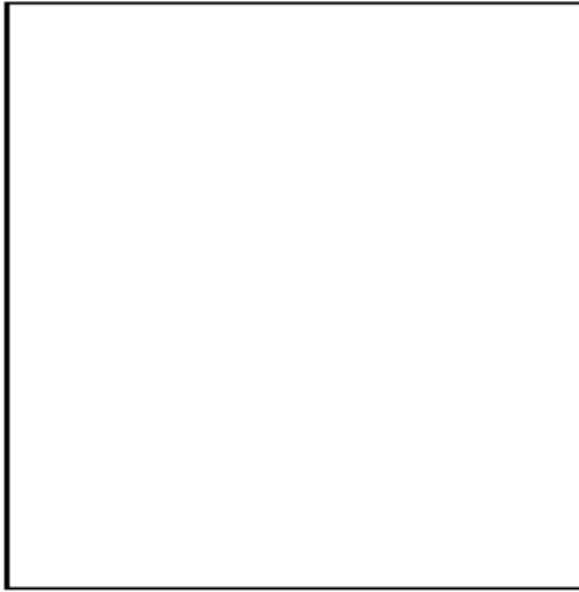


FEFCO Standards - 900 Series

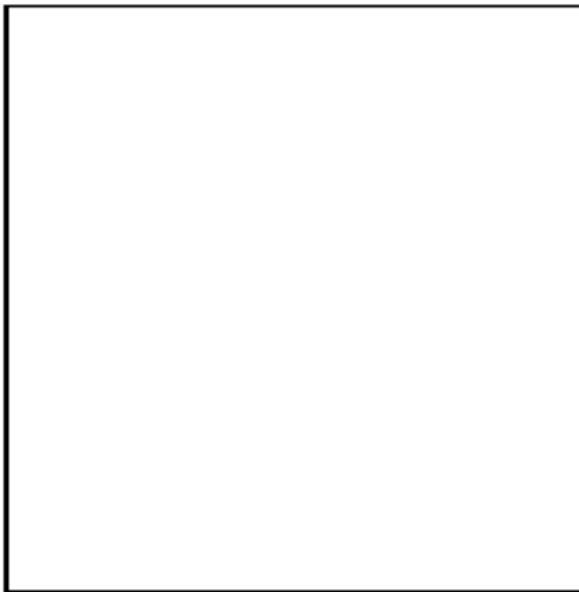
F0900



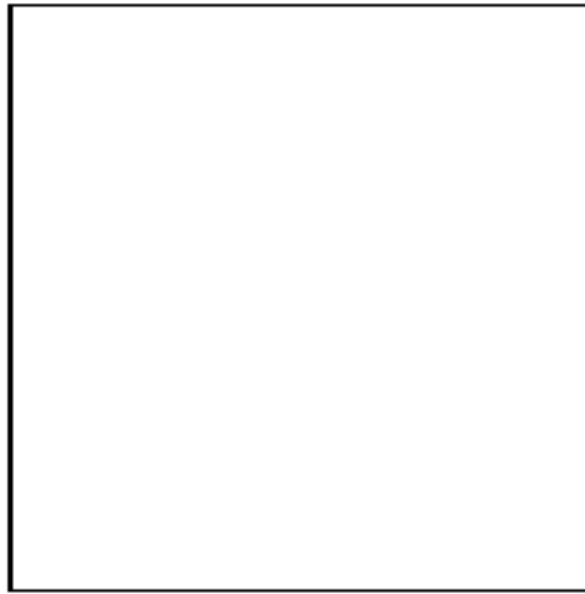
F0901



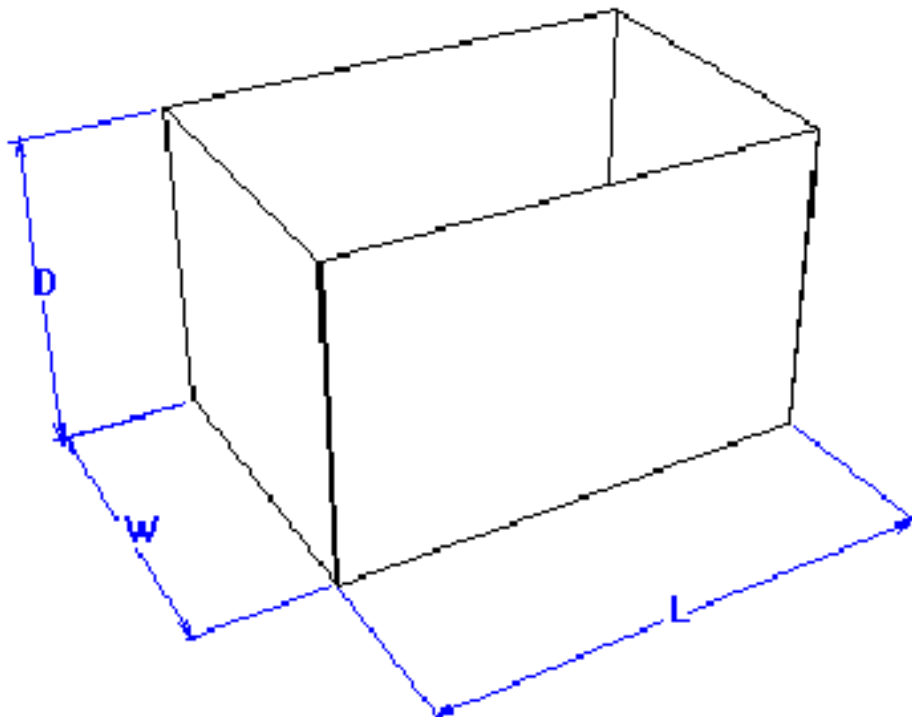
F0902



F0903

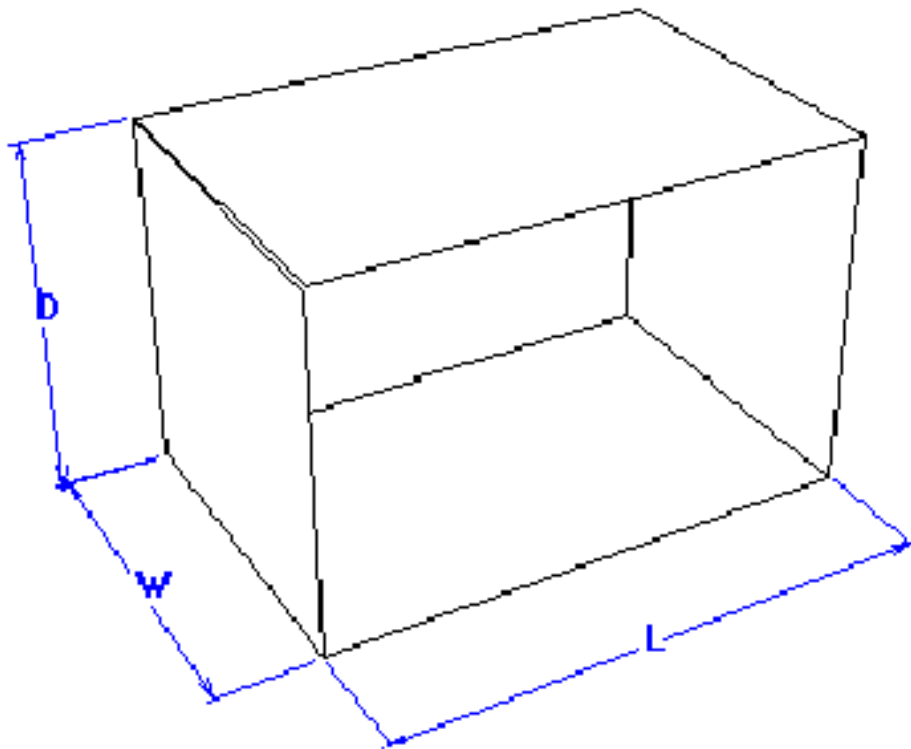


F0904

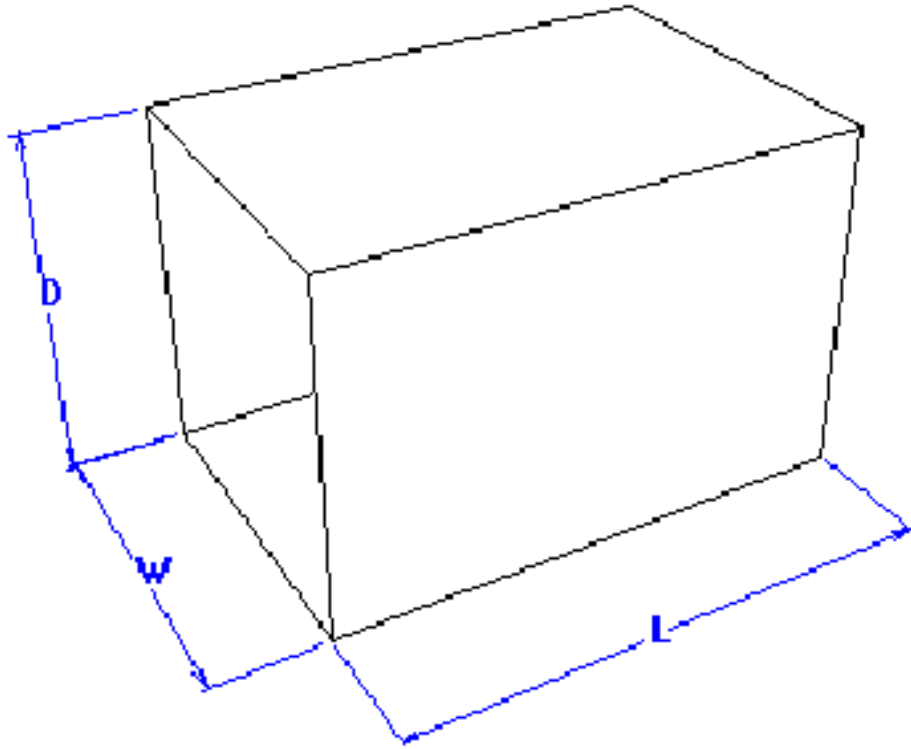




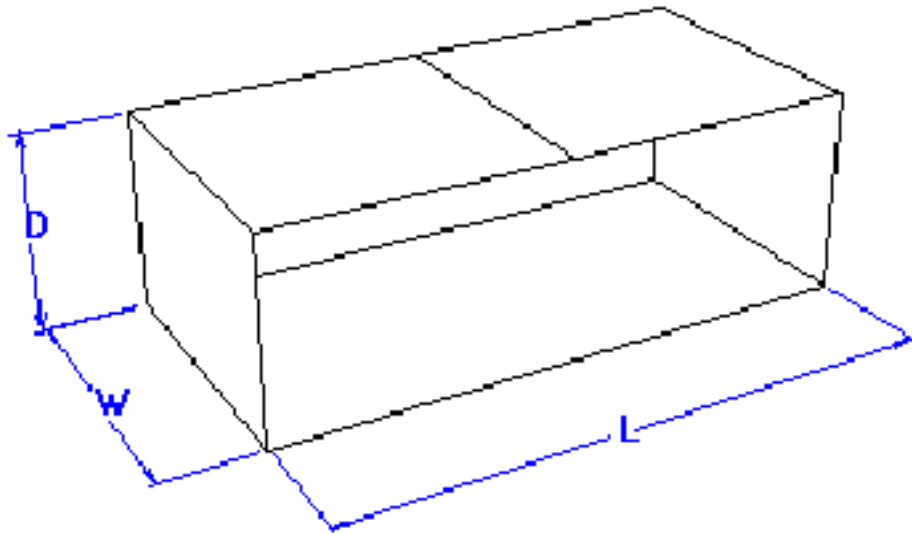
F0905



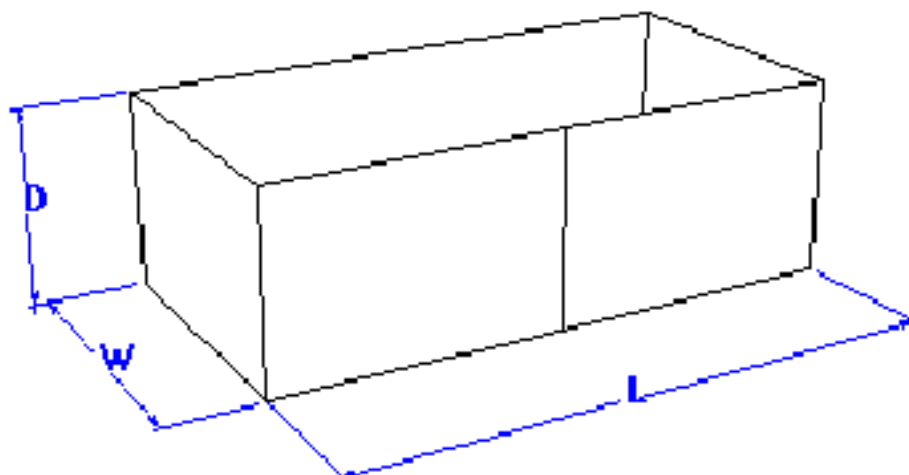
F0906



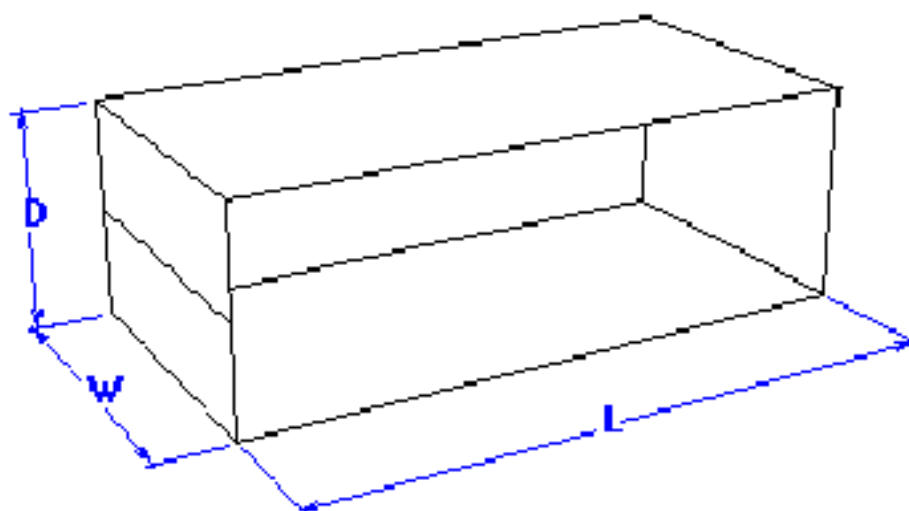
F0907



F0908

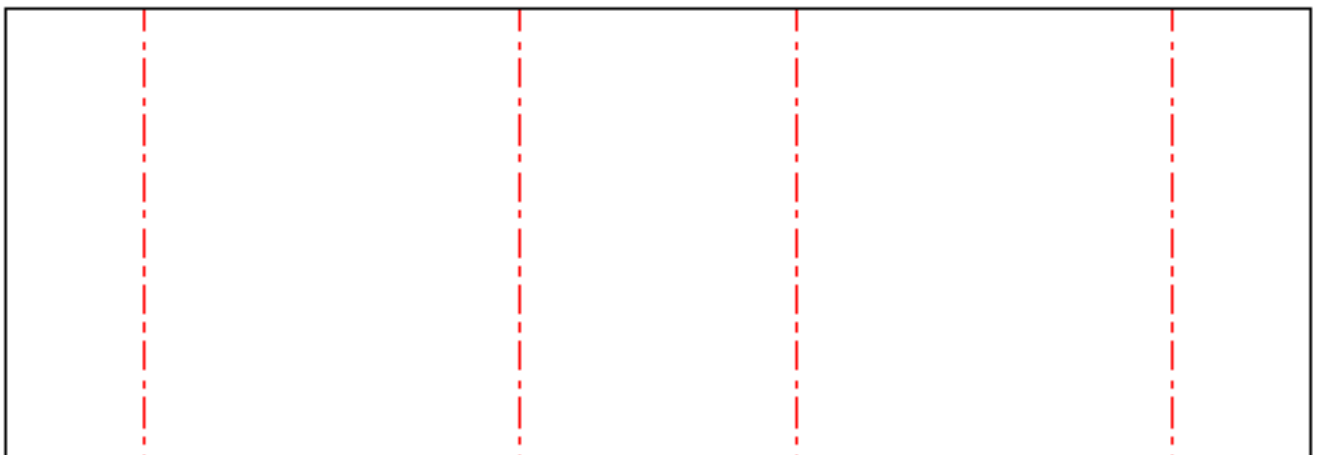
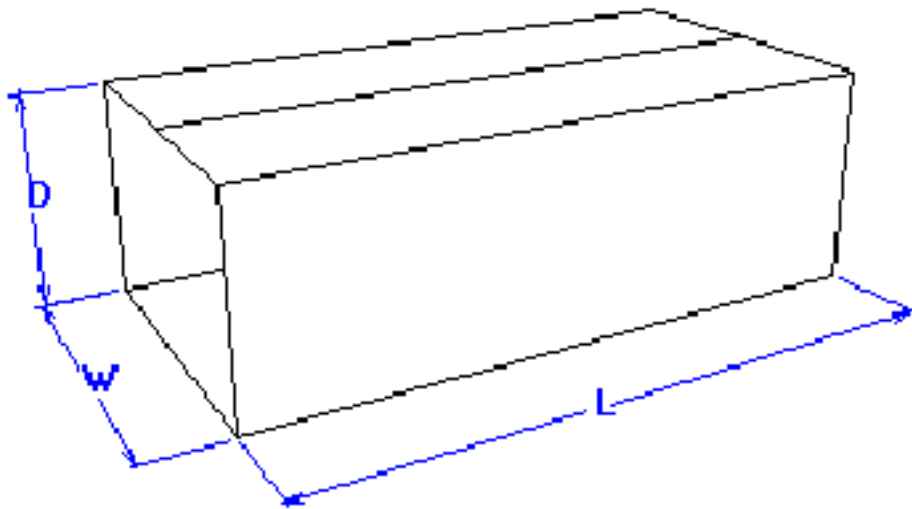


F0909

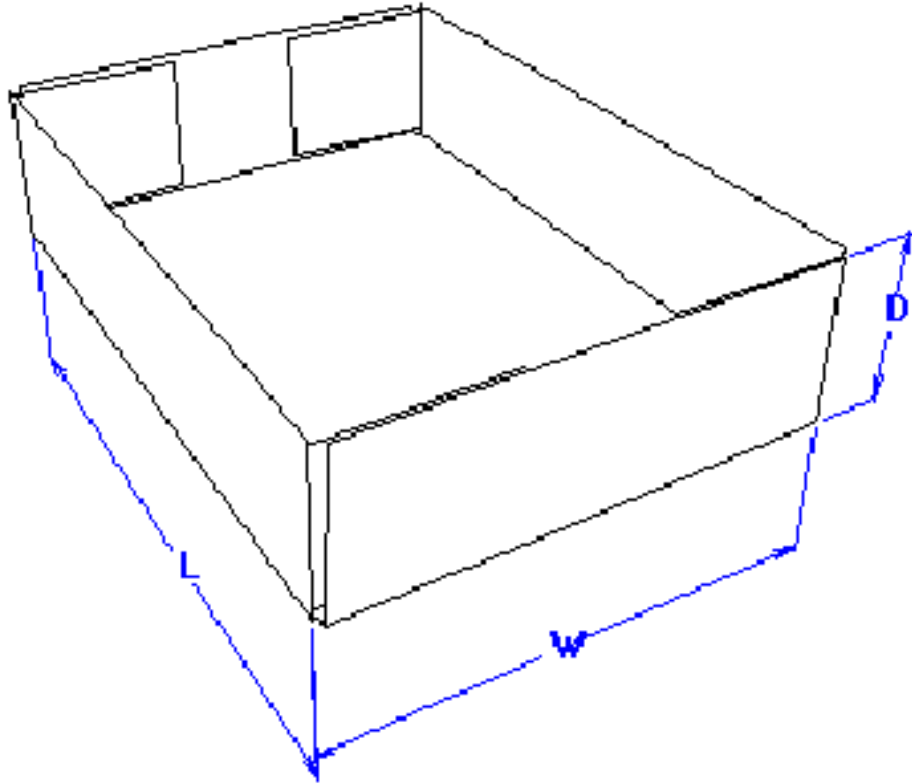


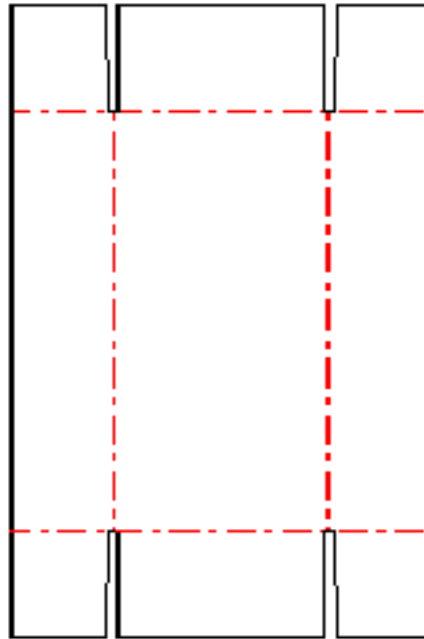


F0910

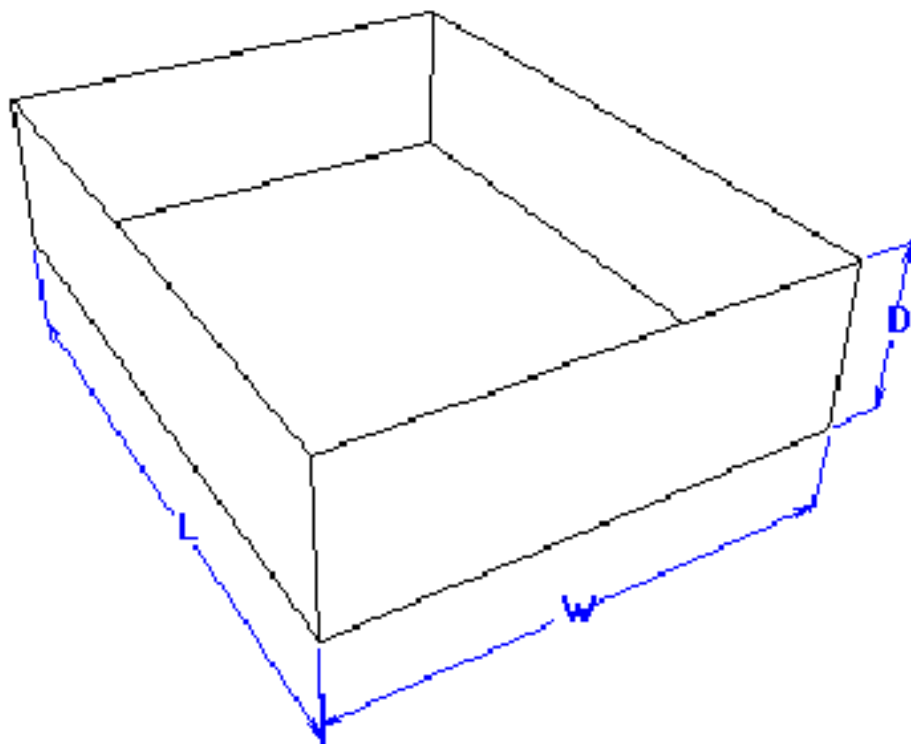


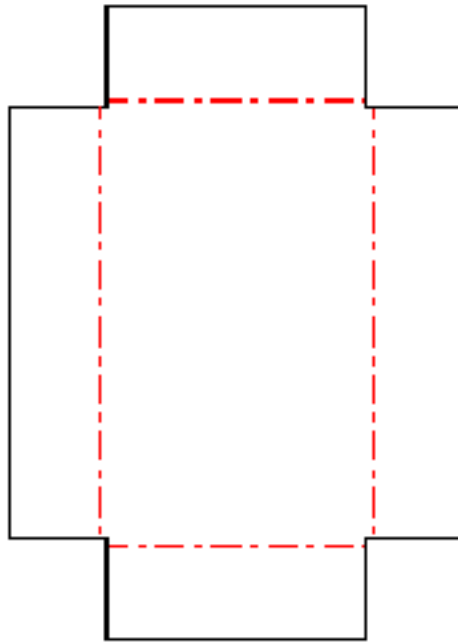
F0911



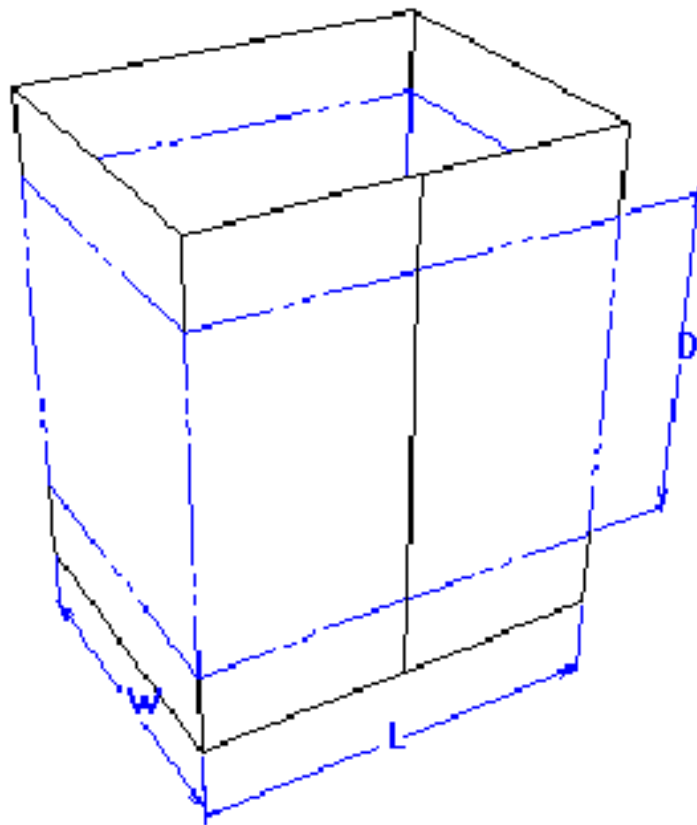


F0912

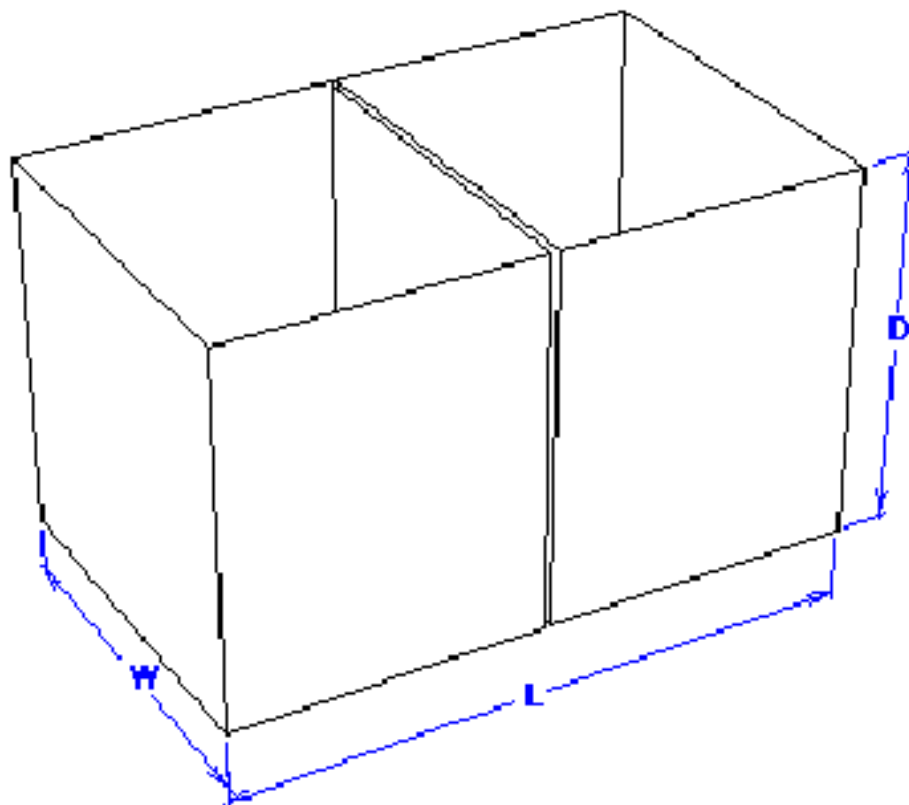




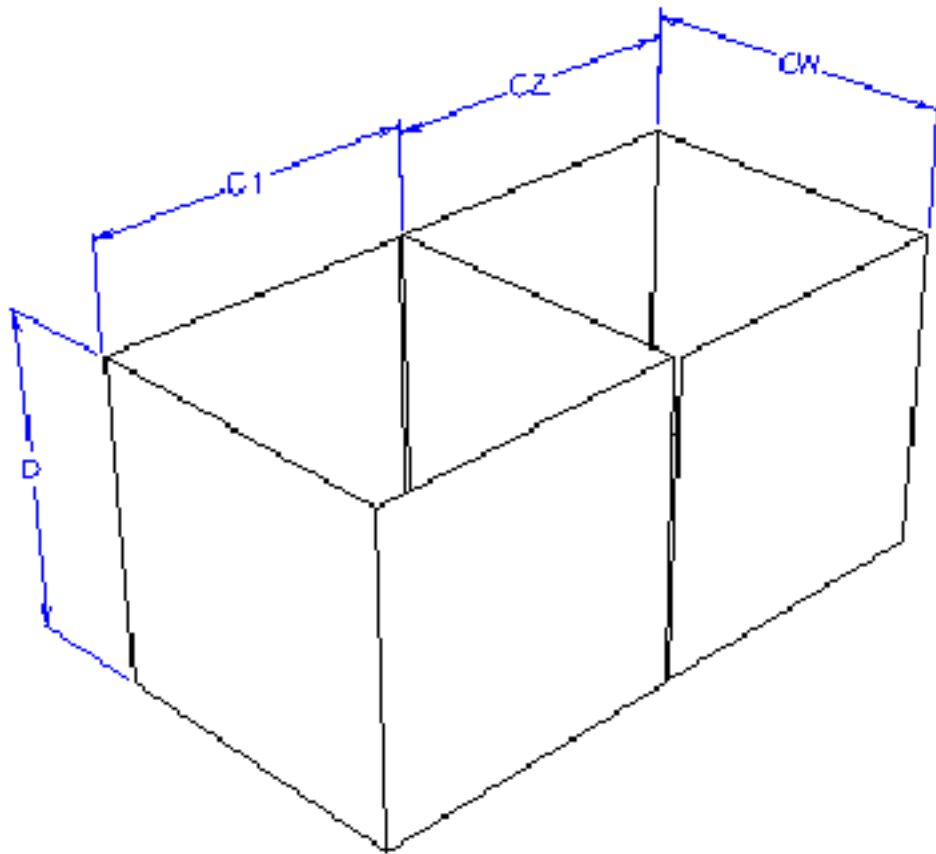
F0913



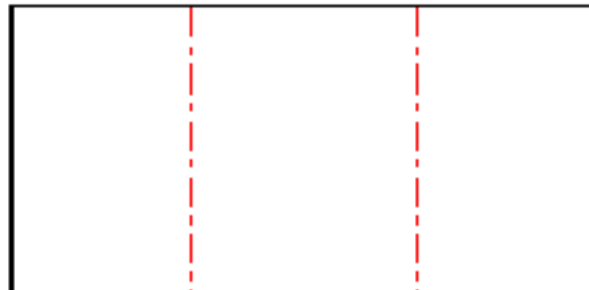
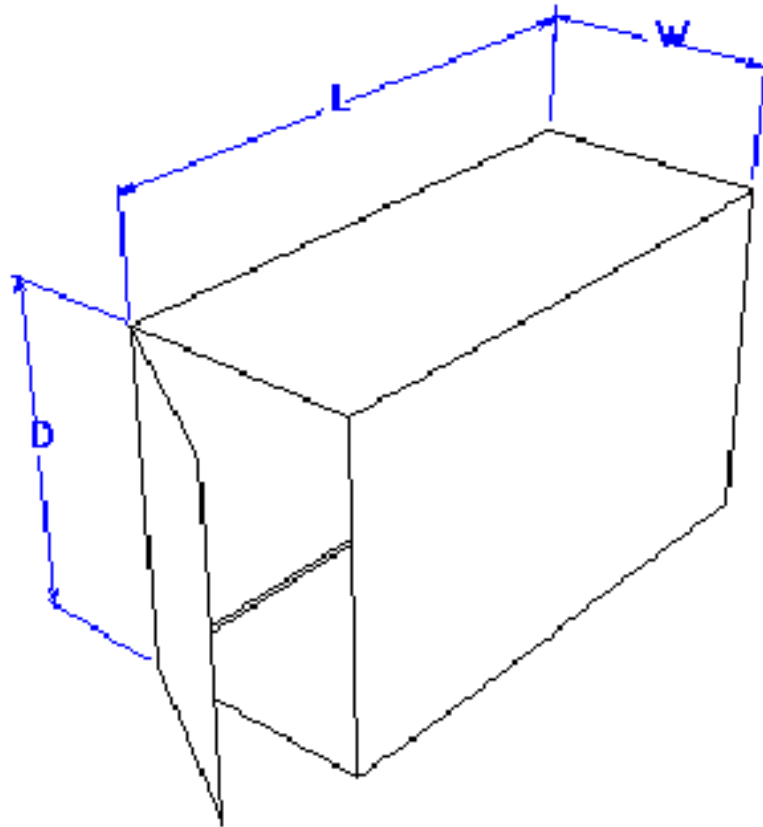
F0920



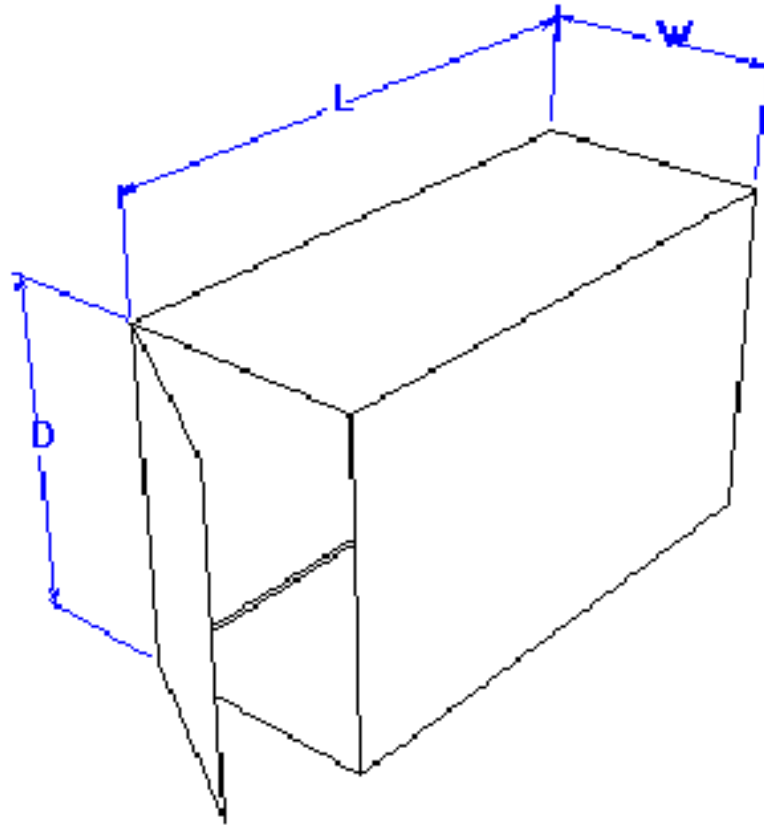
F0921

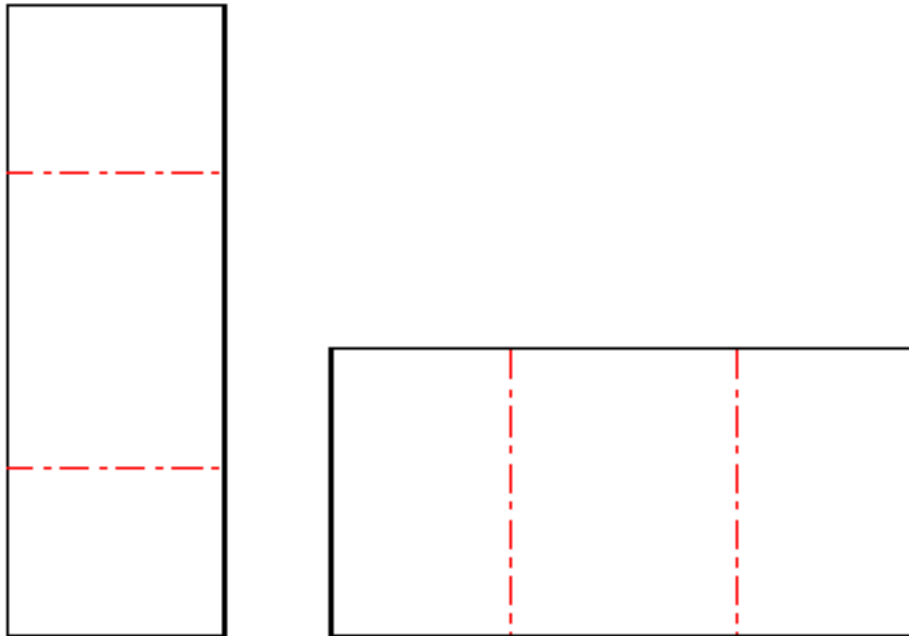


F0929 Length Partition

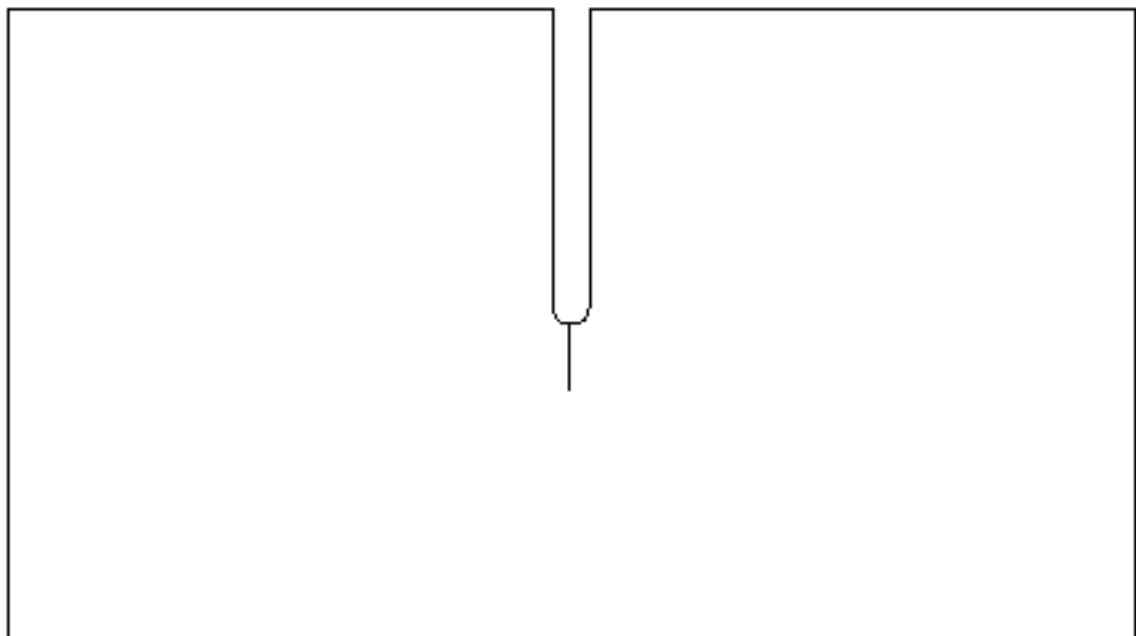
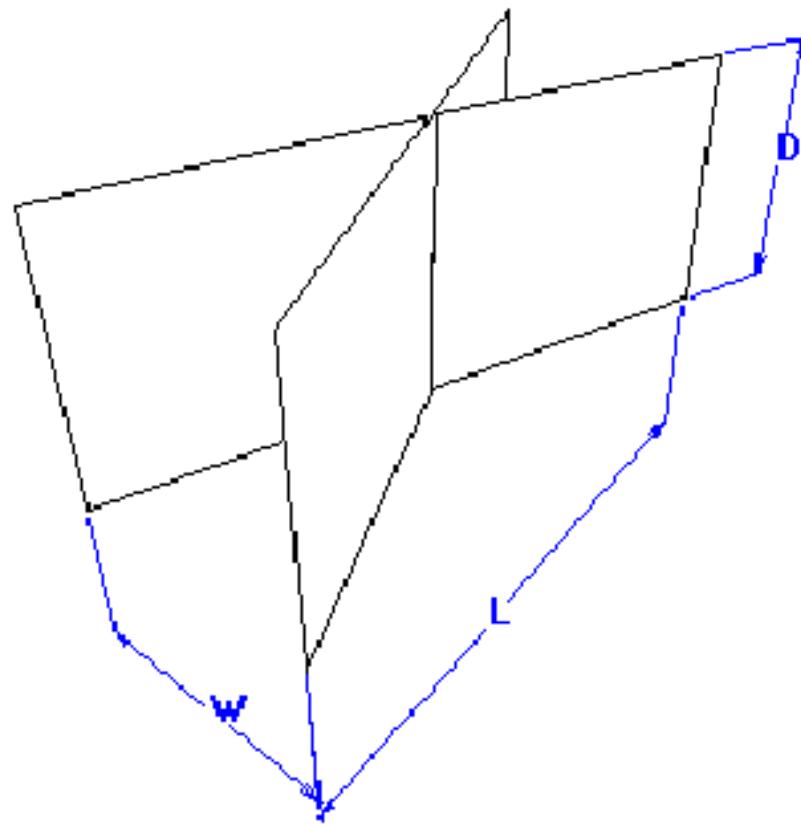


F0929 Width Partition

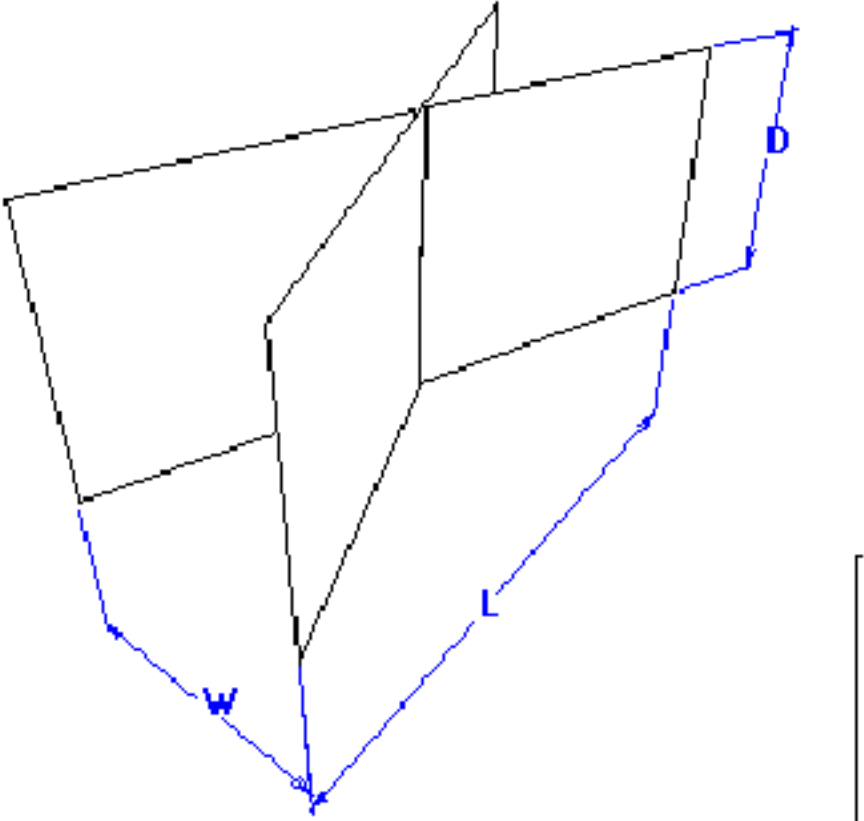


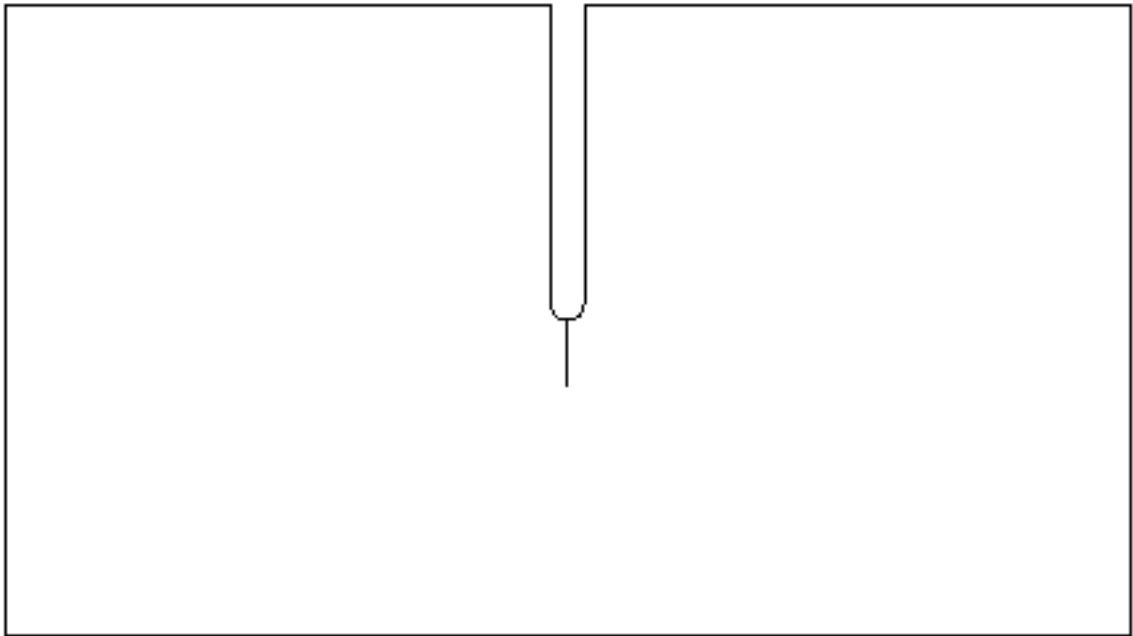


F0930 Length Partition

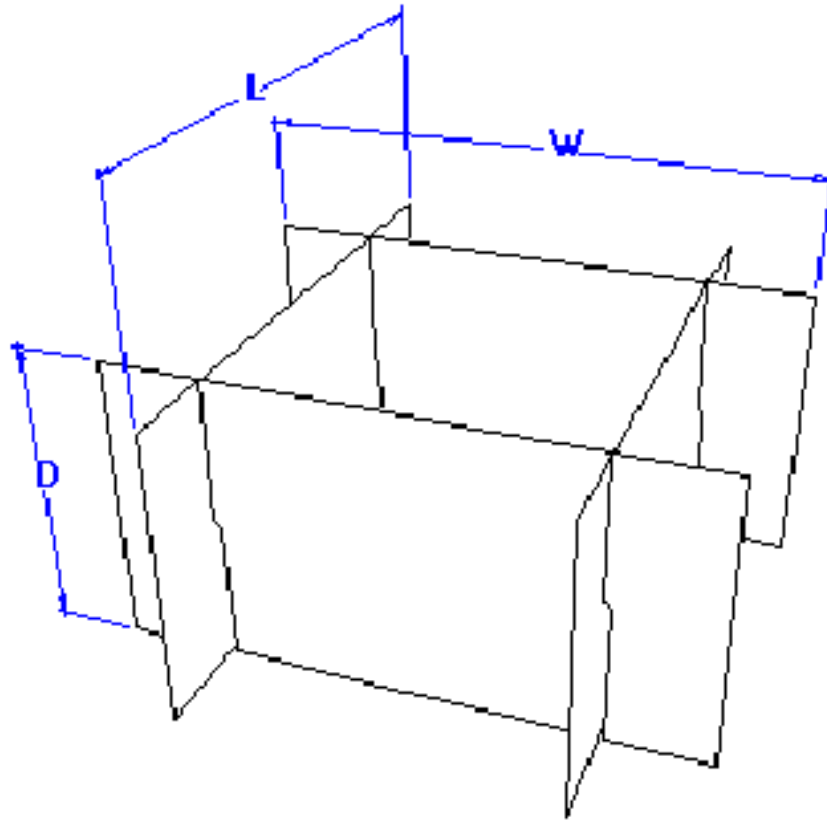


F0930 Width Partition

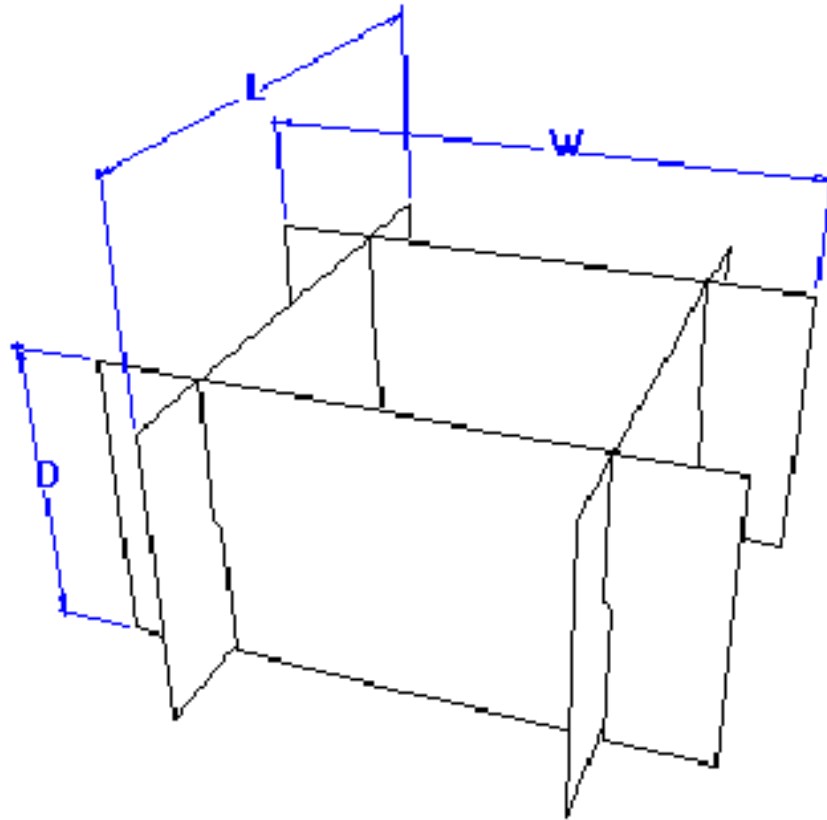


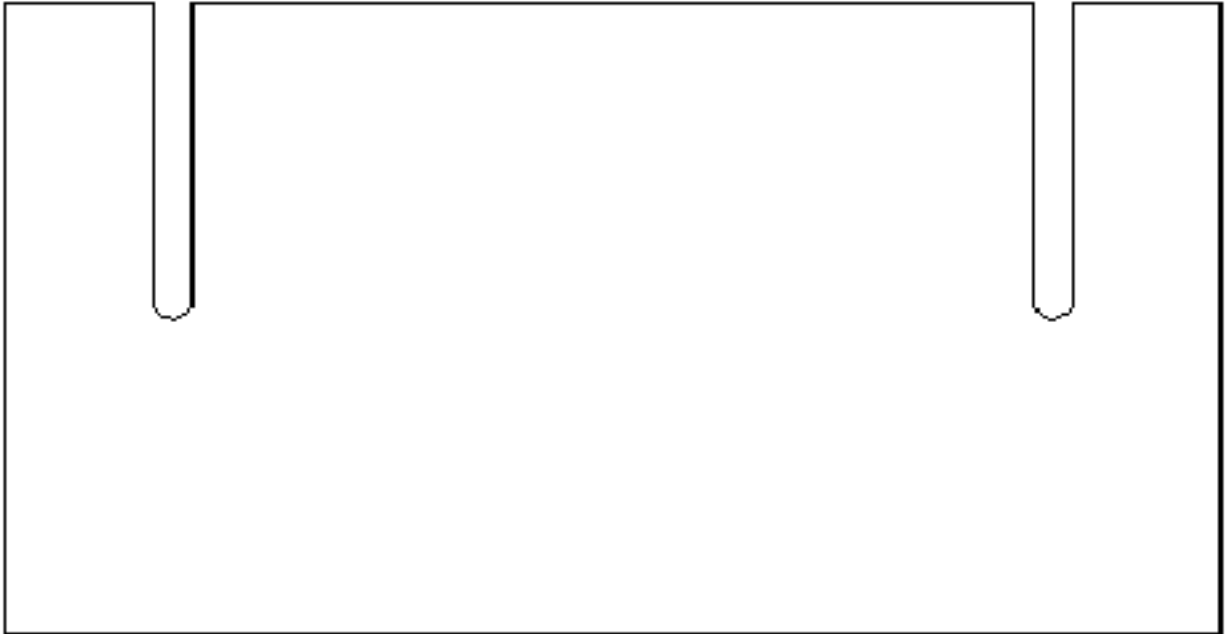


F0931 Length Partition

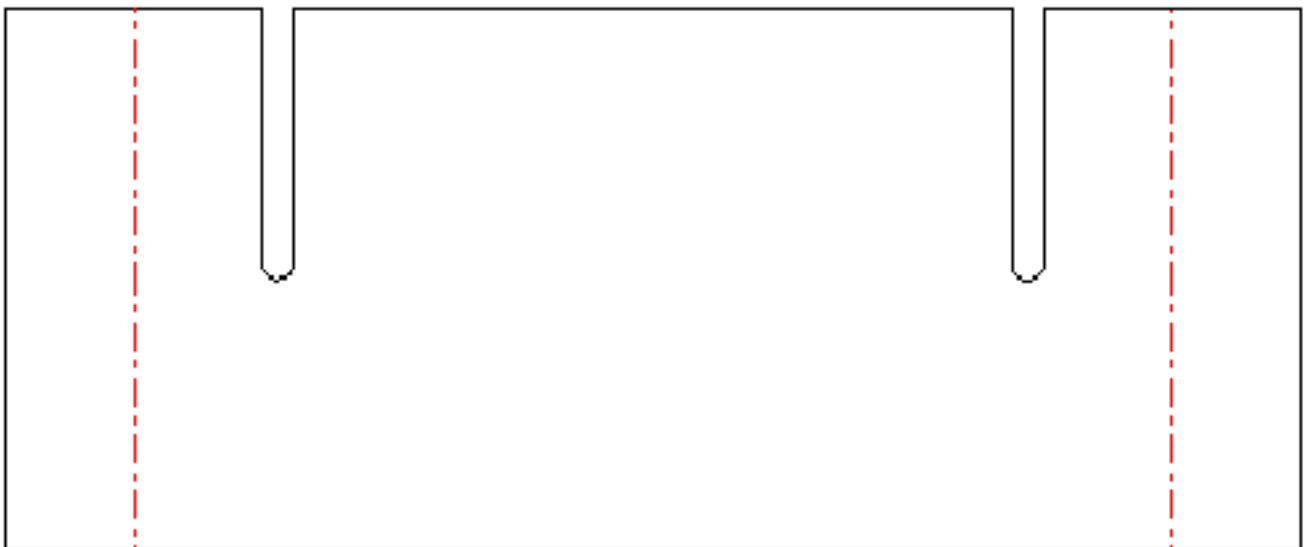
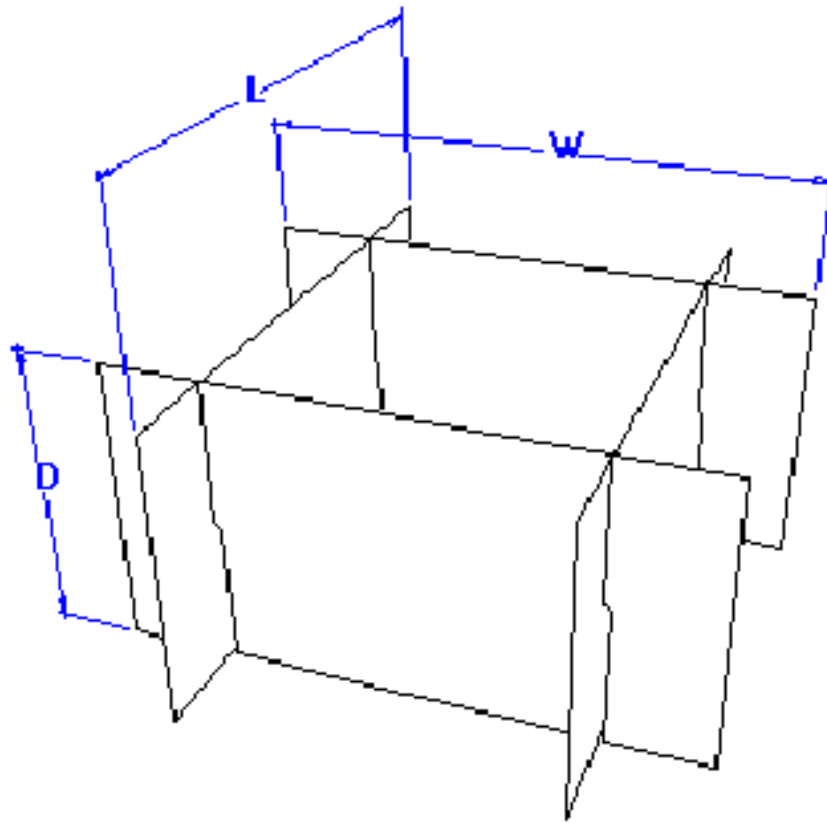


F0931 Width Partition

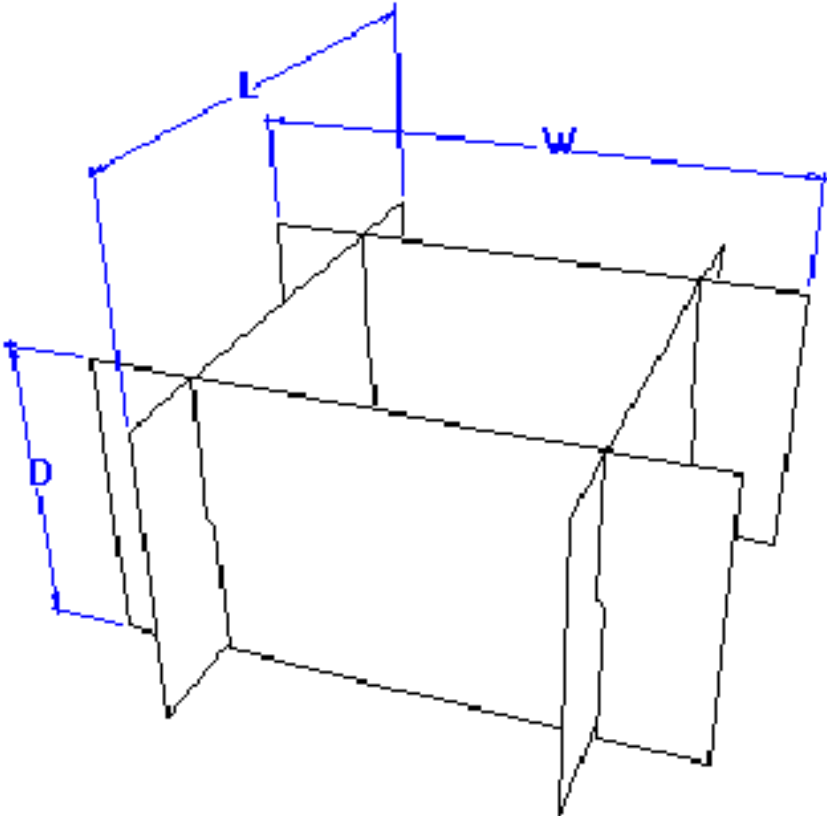




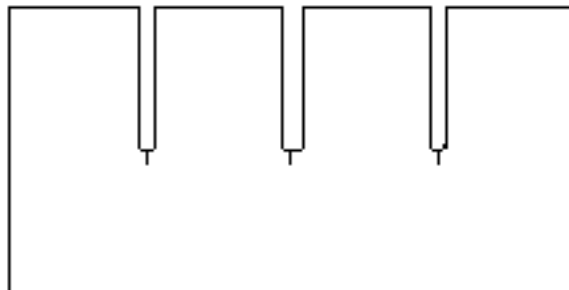
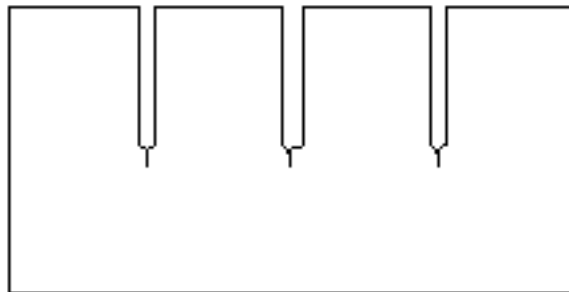
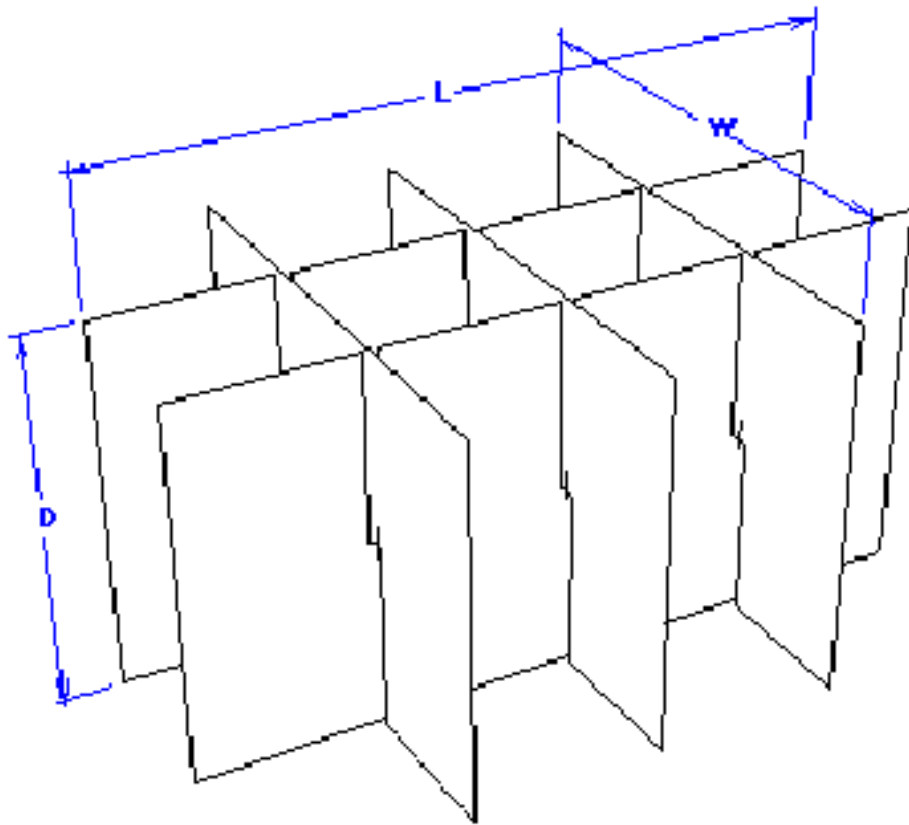
F0932 Length Partition



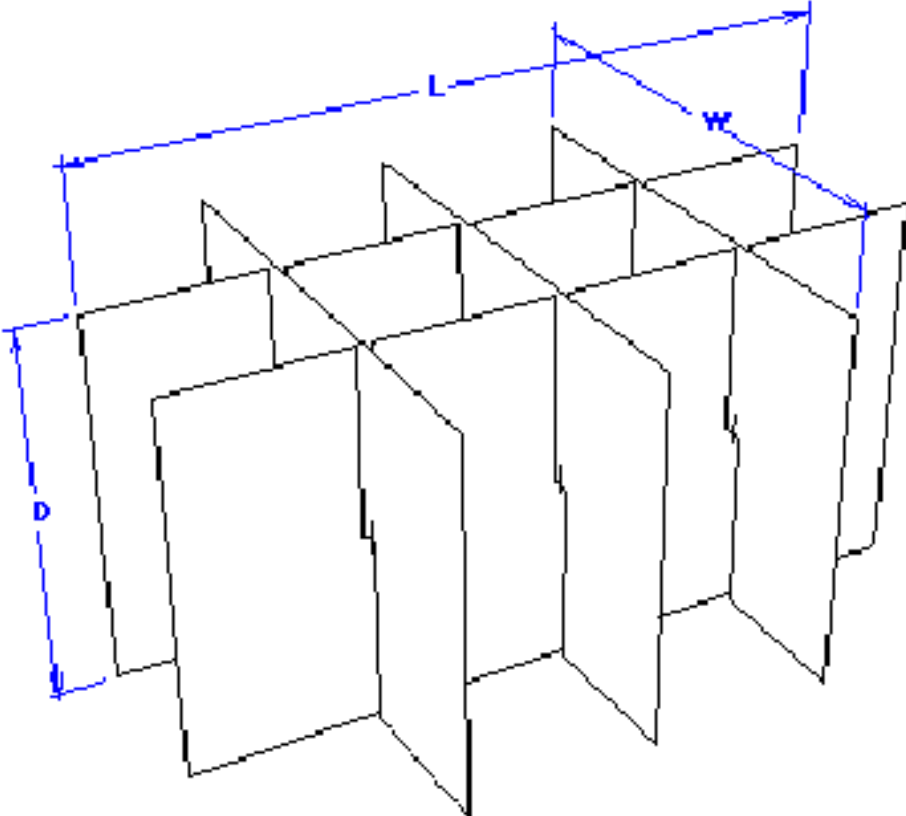
F0932 Width Partition

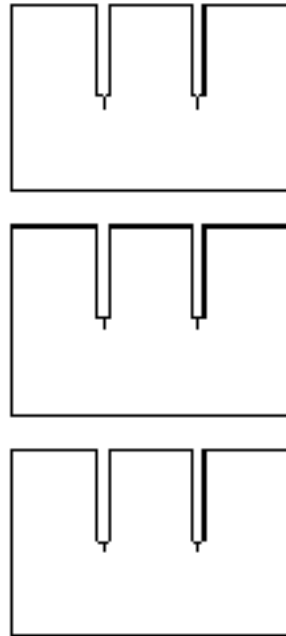


F0933 Length Partition

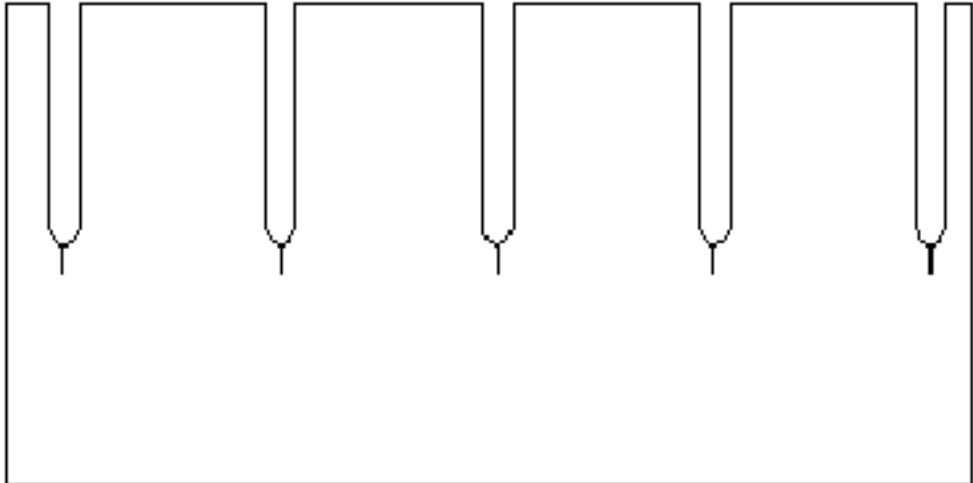
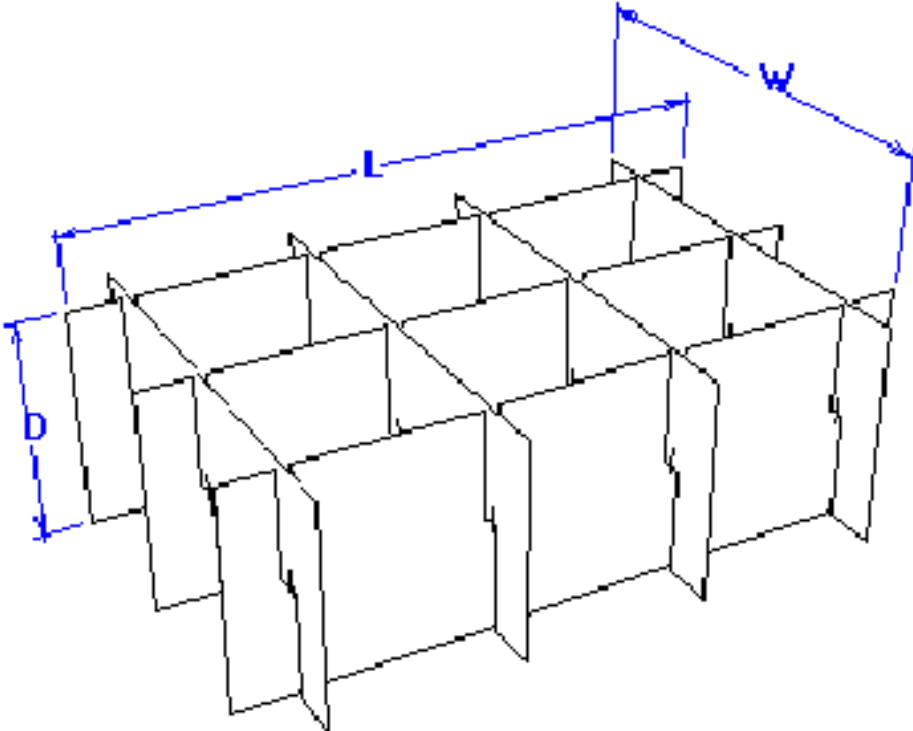


F0933 Width Partition

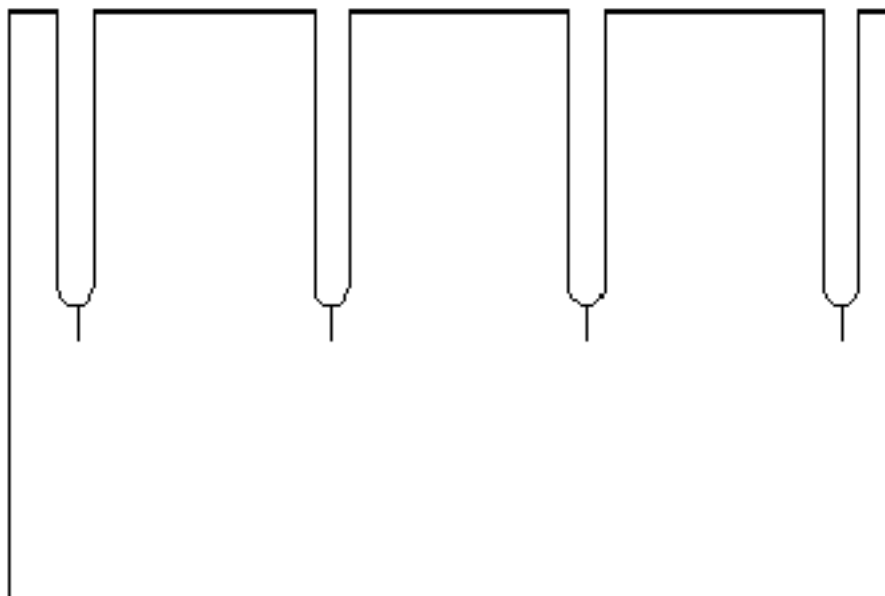
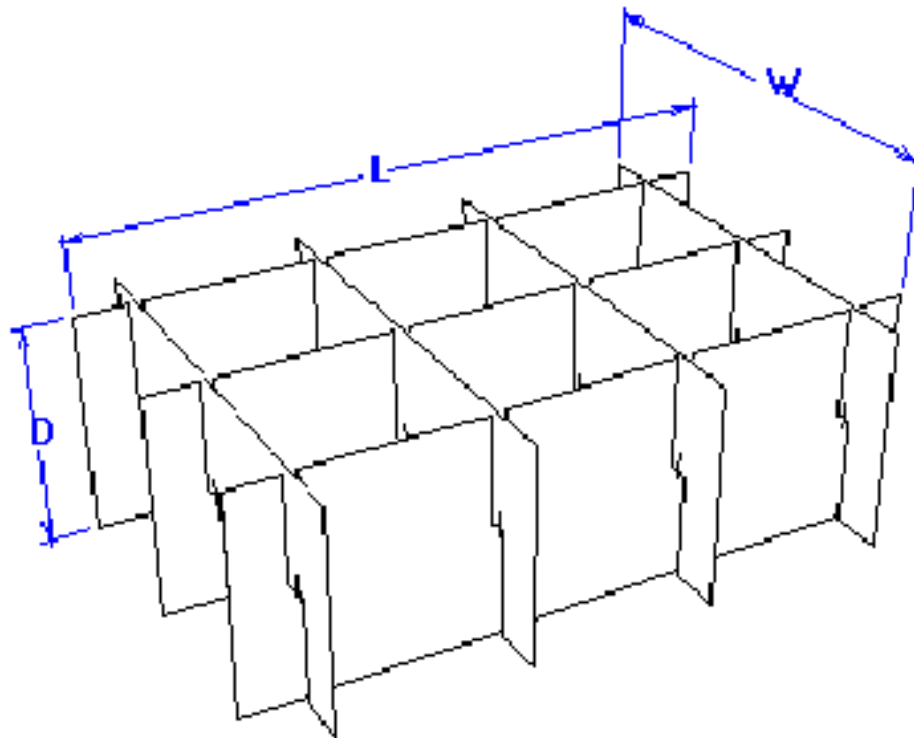




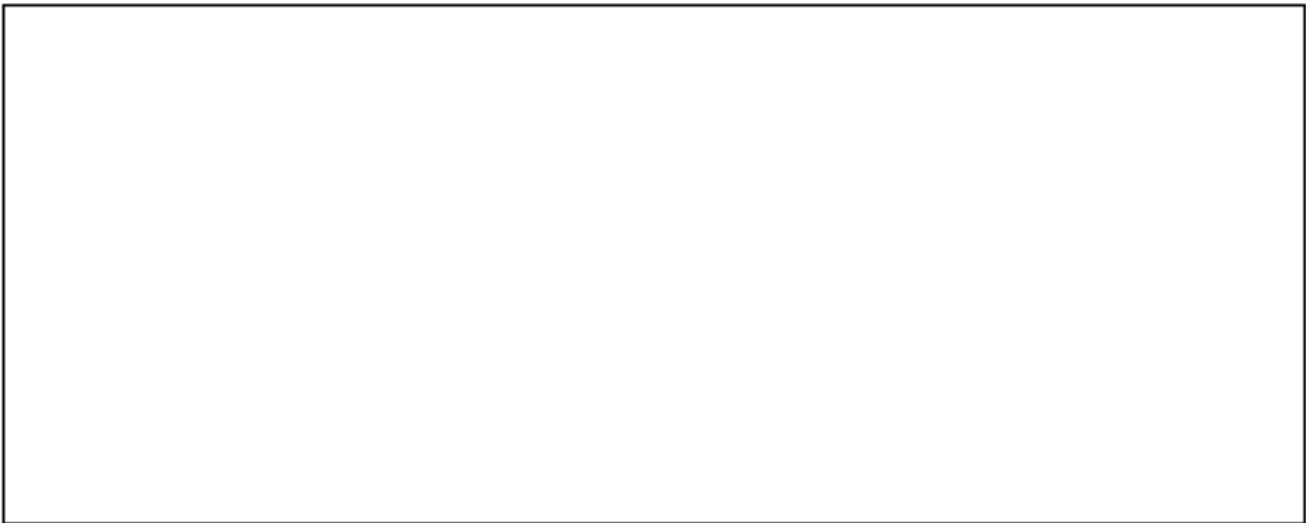
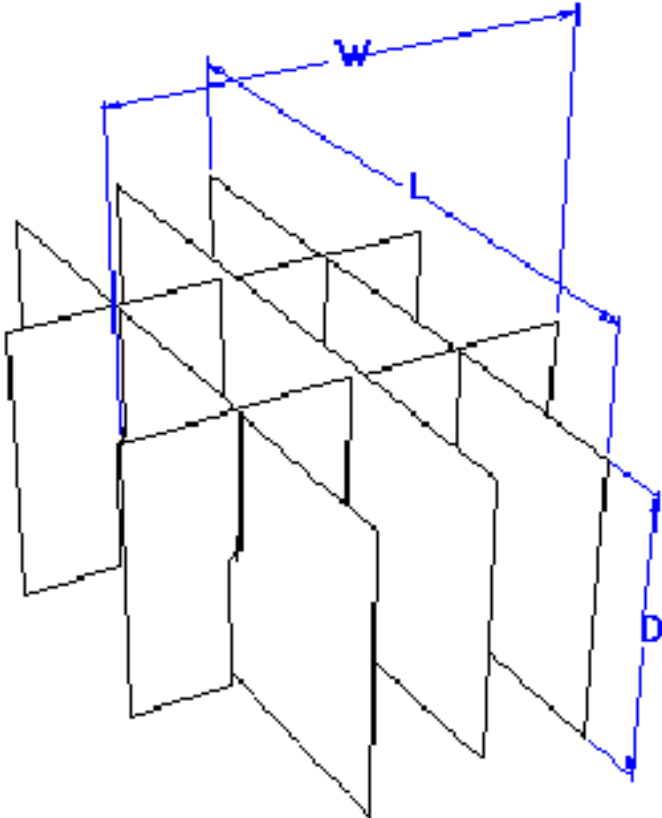
F0934 Length Partition



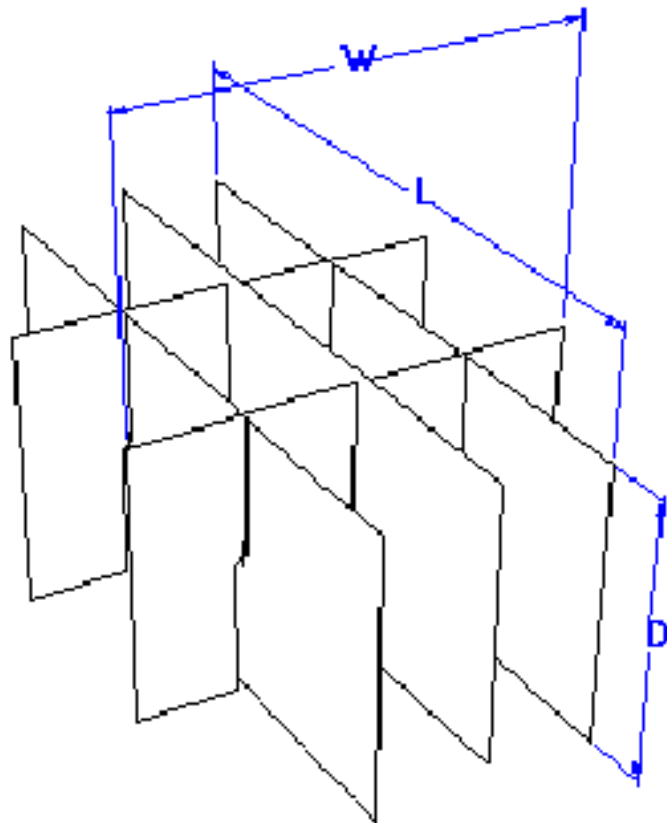
F0934 Width Partition

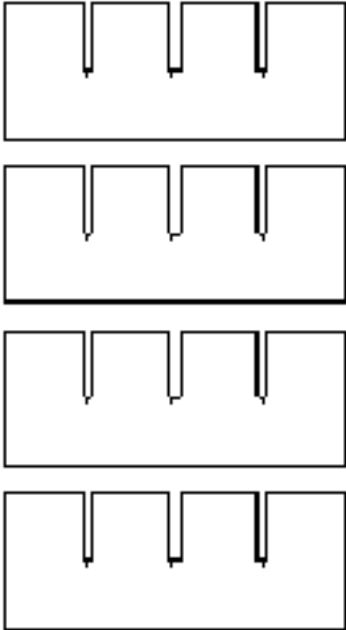


F0935 Divider

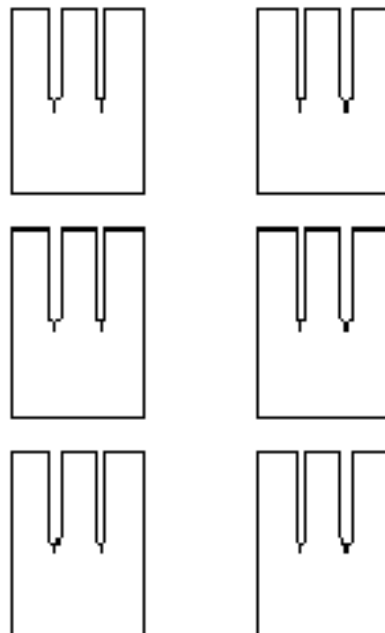
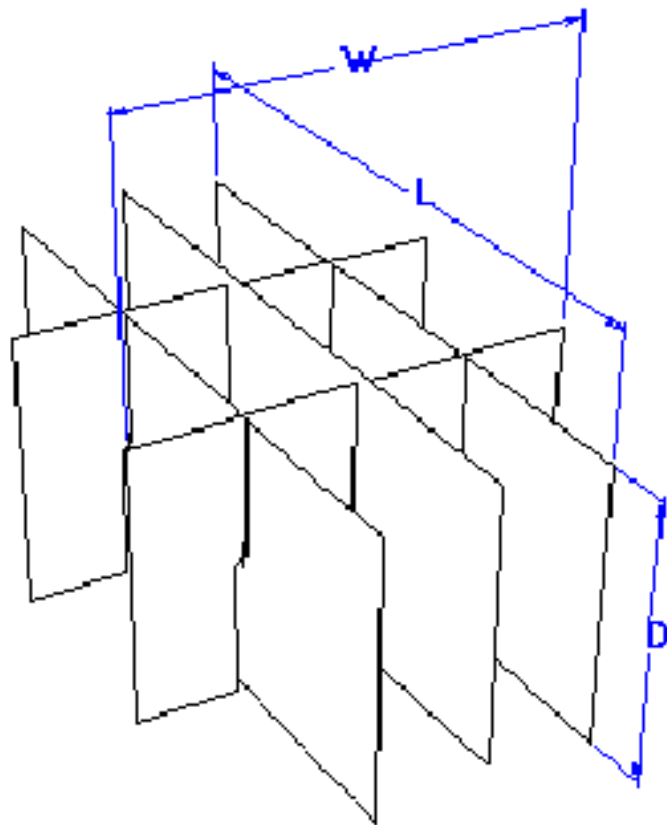


F0935 Length Partition

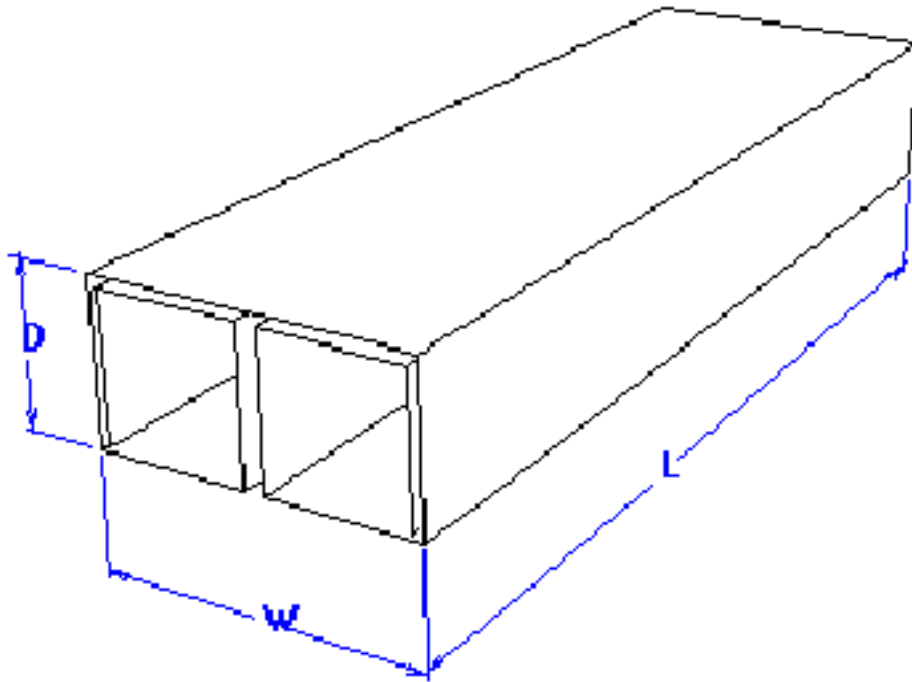




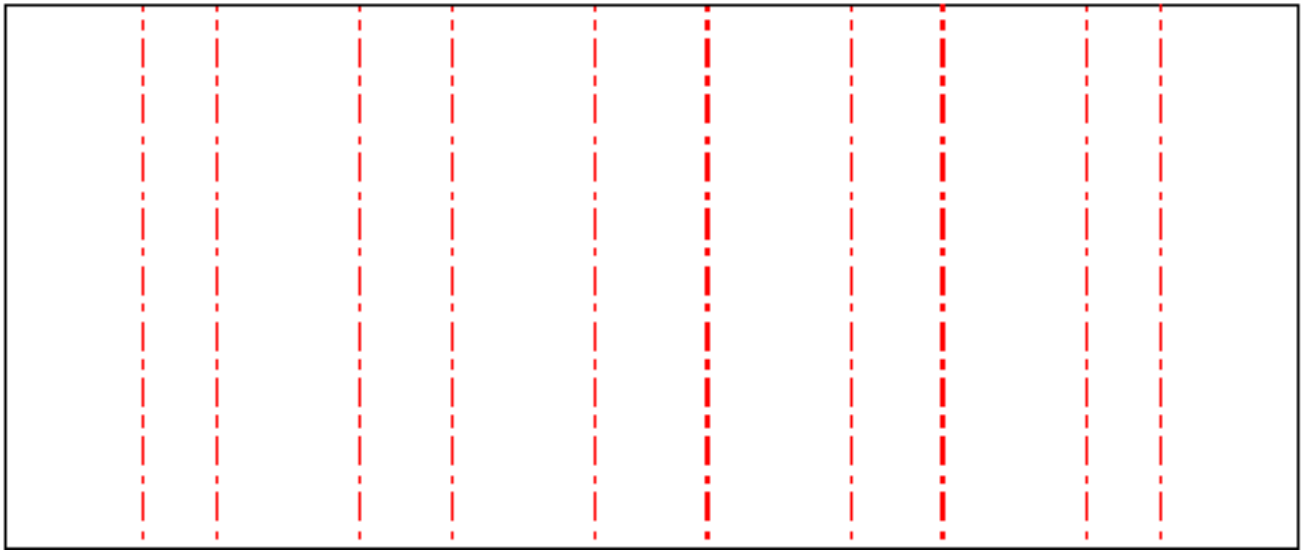
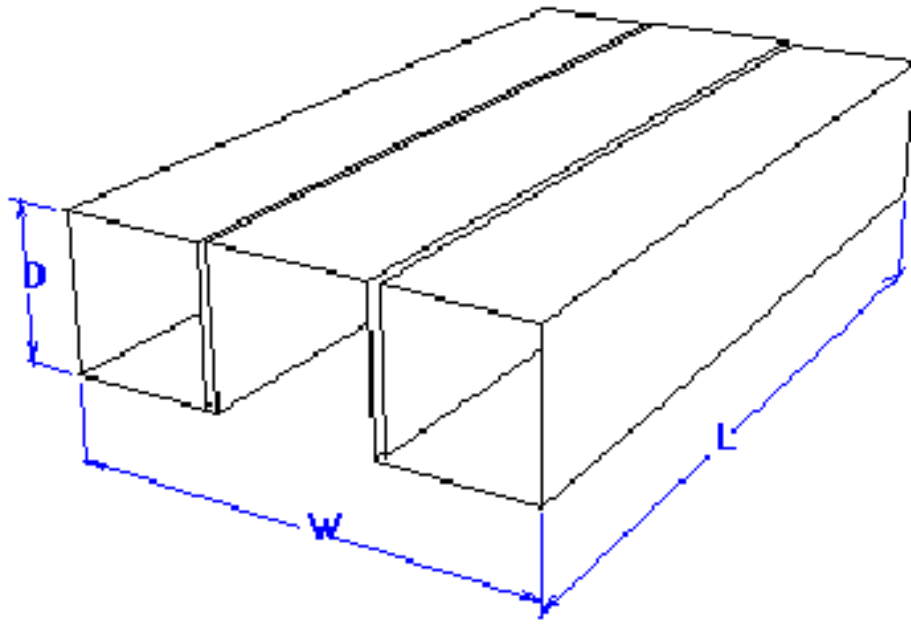
F0935 Width Partition



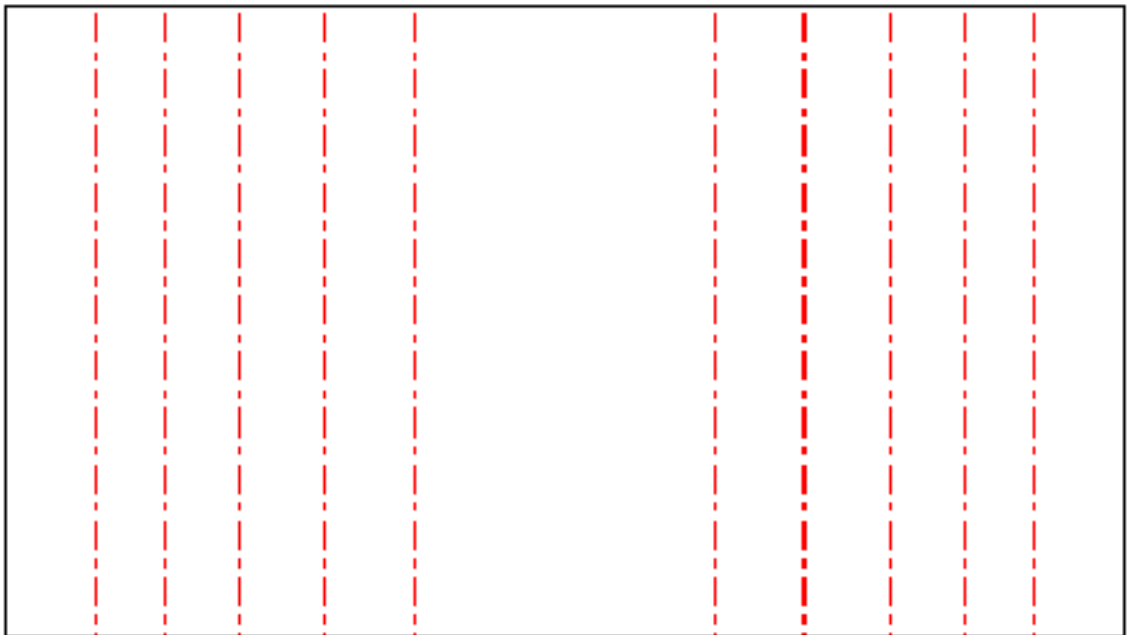
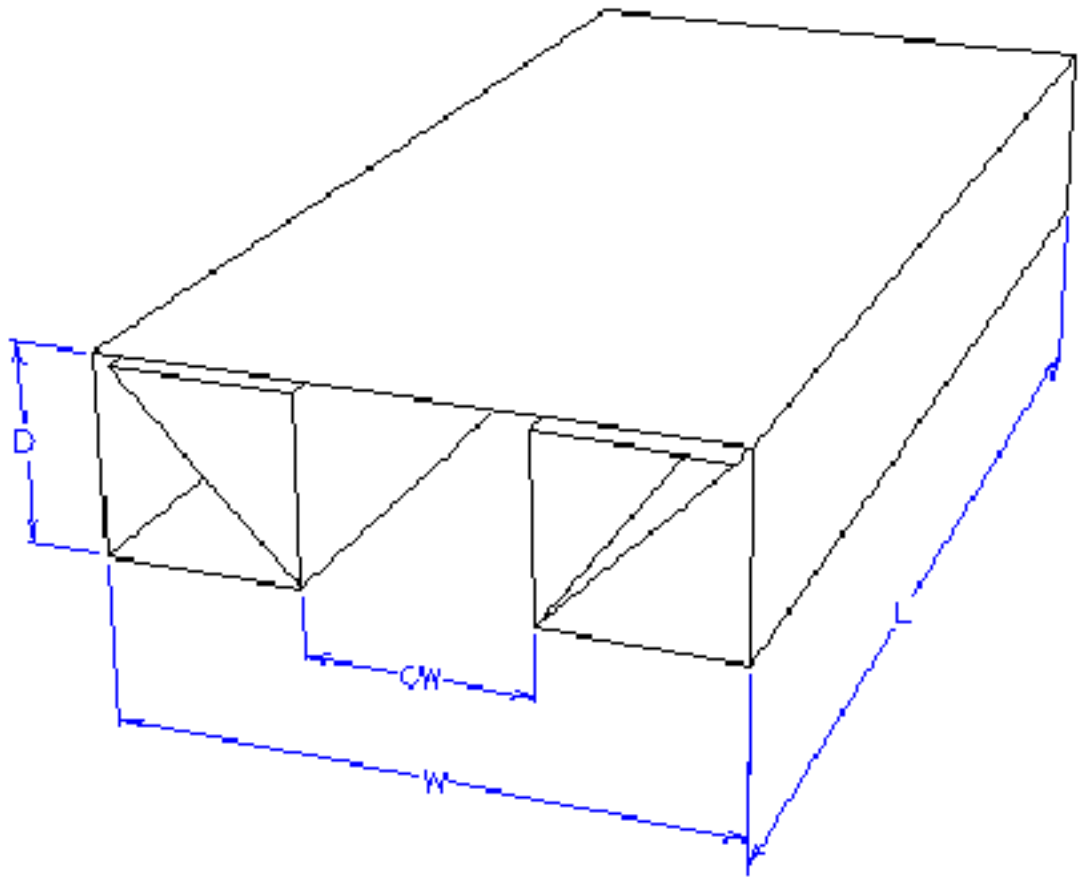
F0940



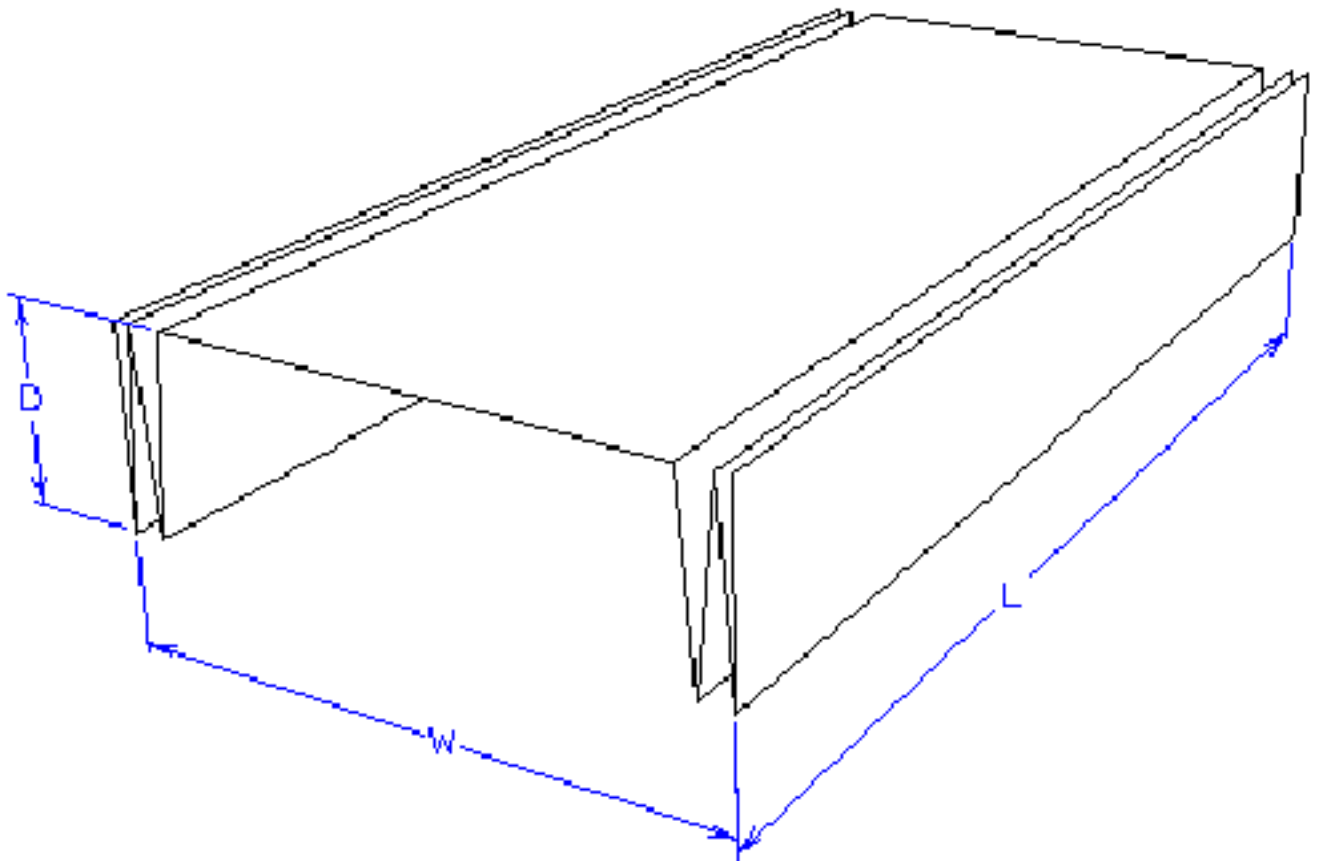
F0941

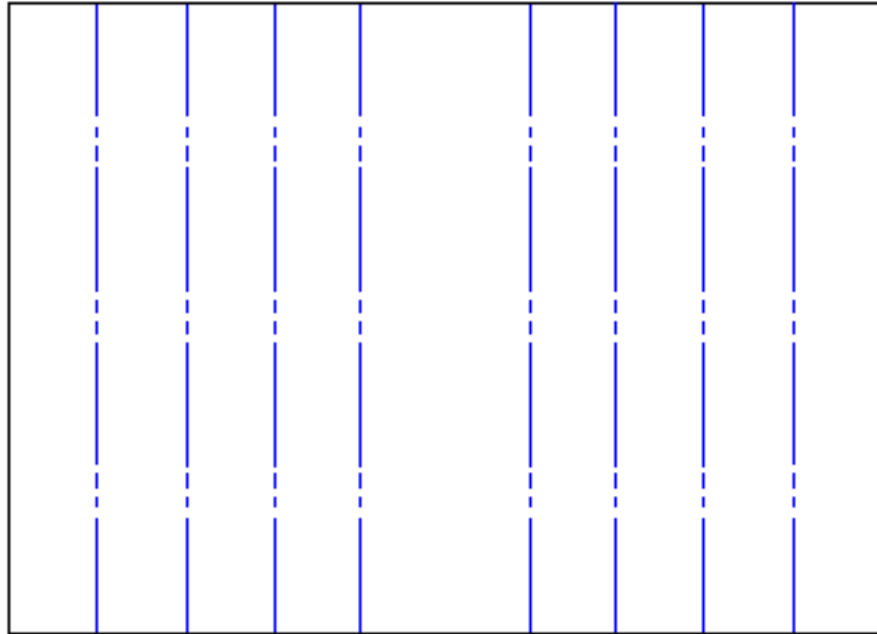


F0942

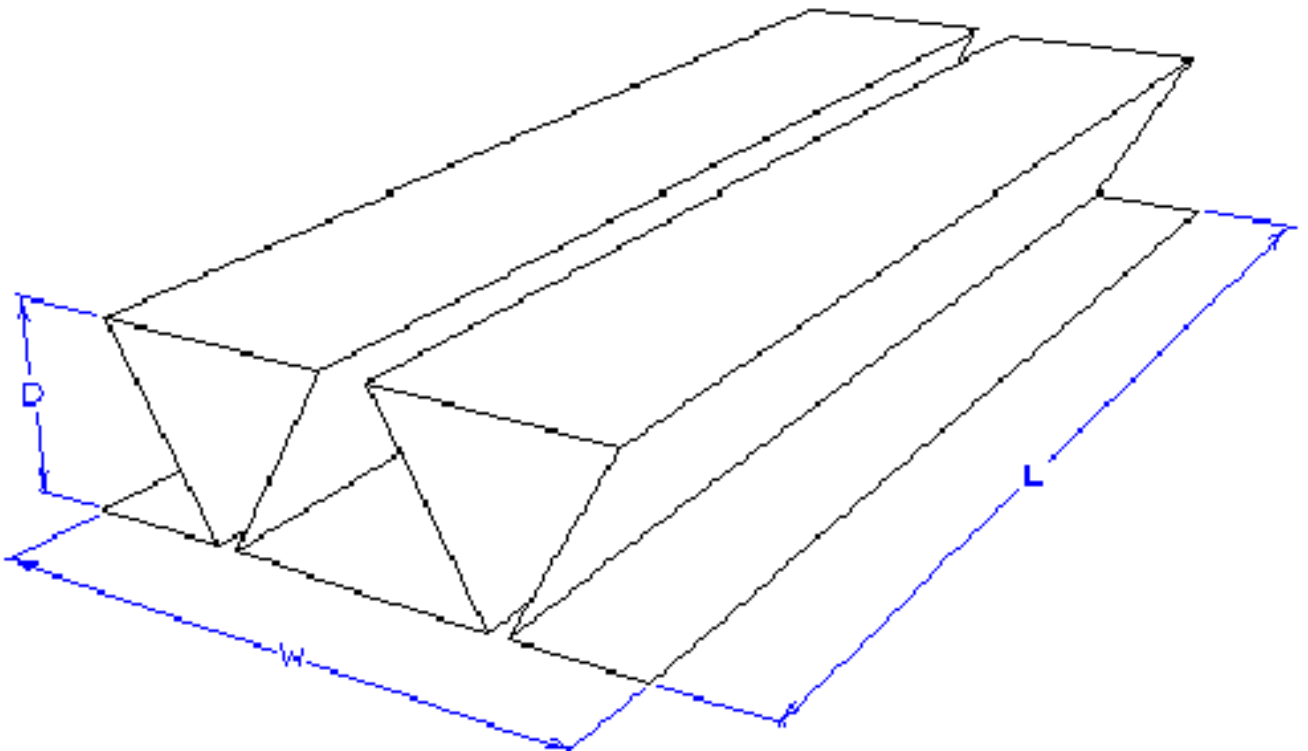


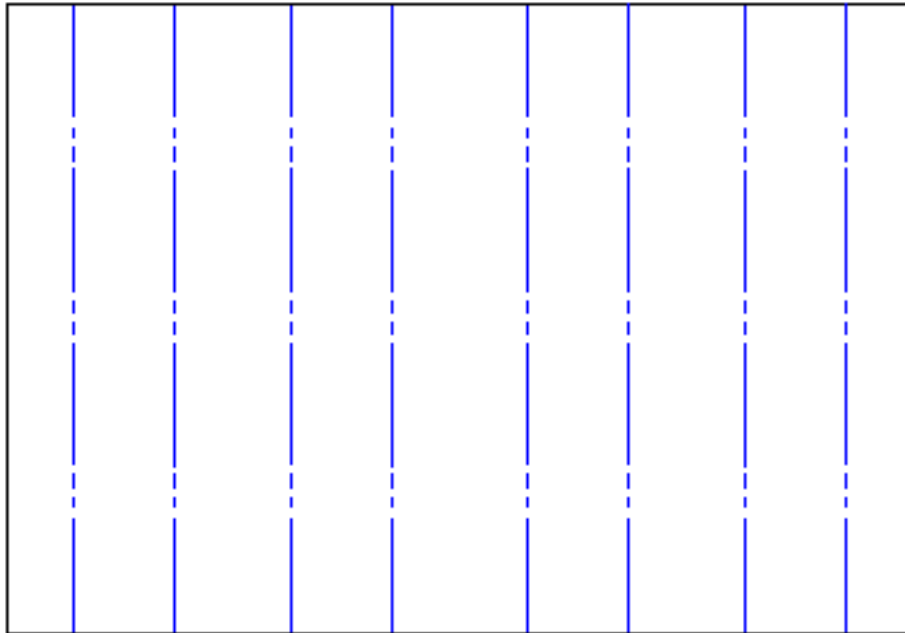
F0943



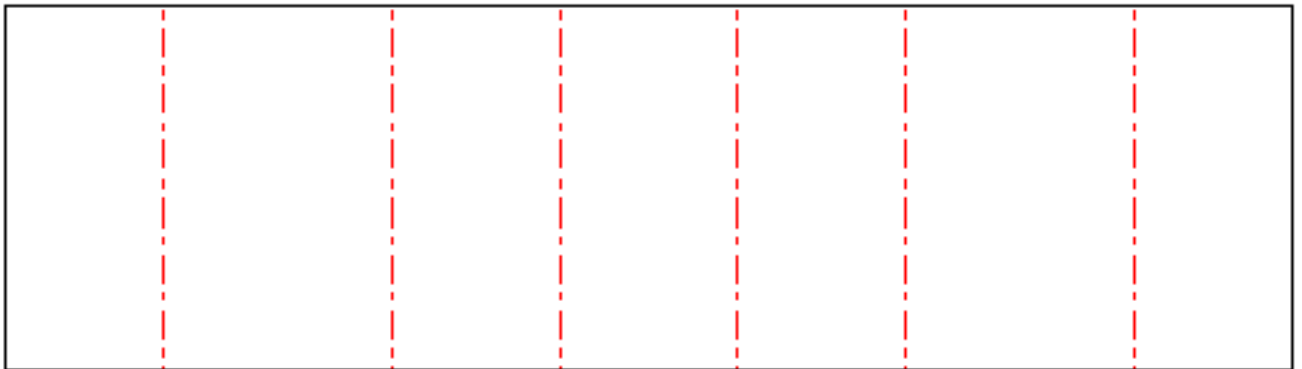
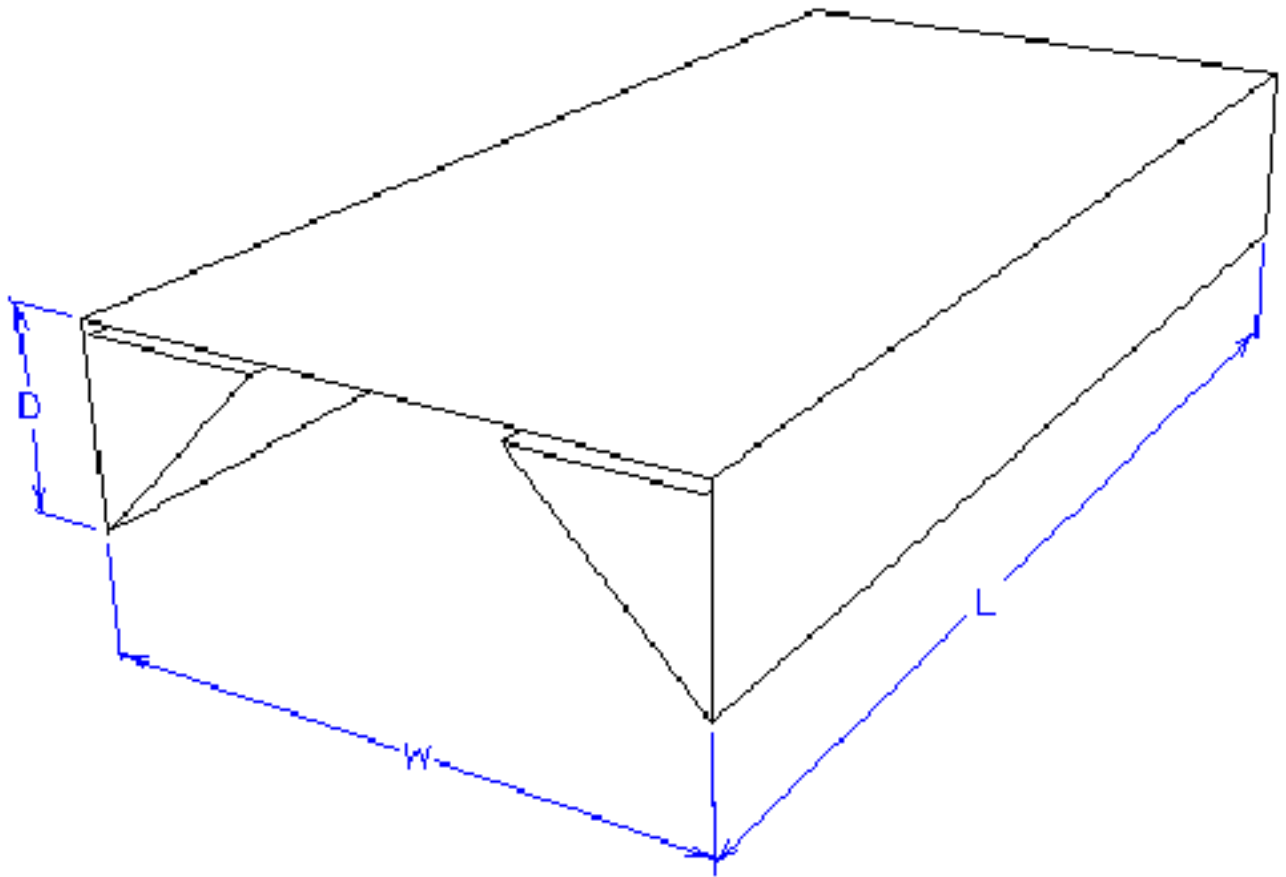


F0944

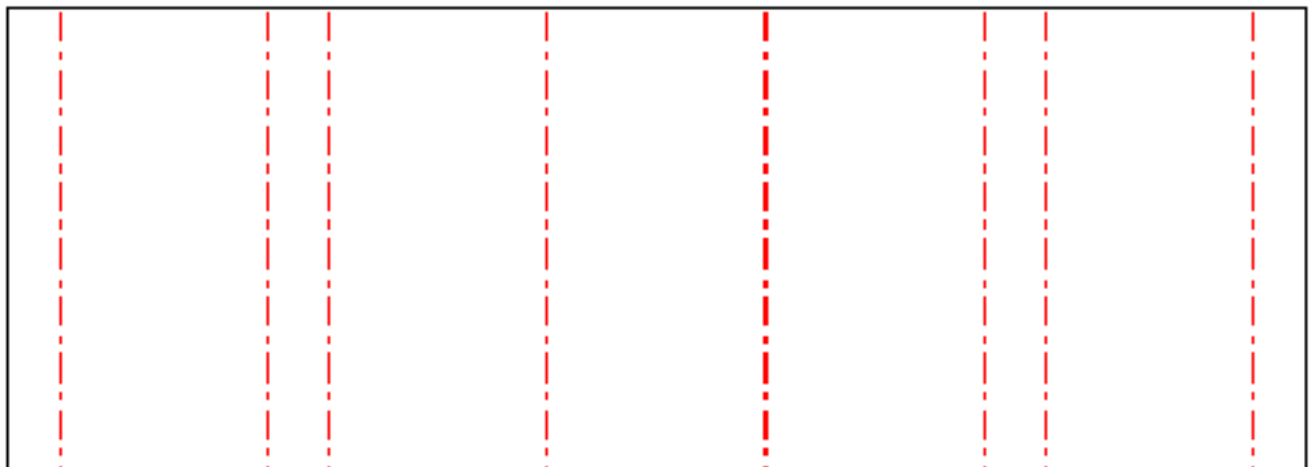
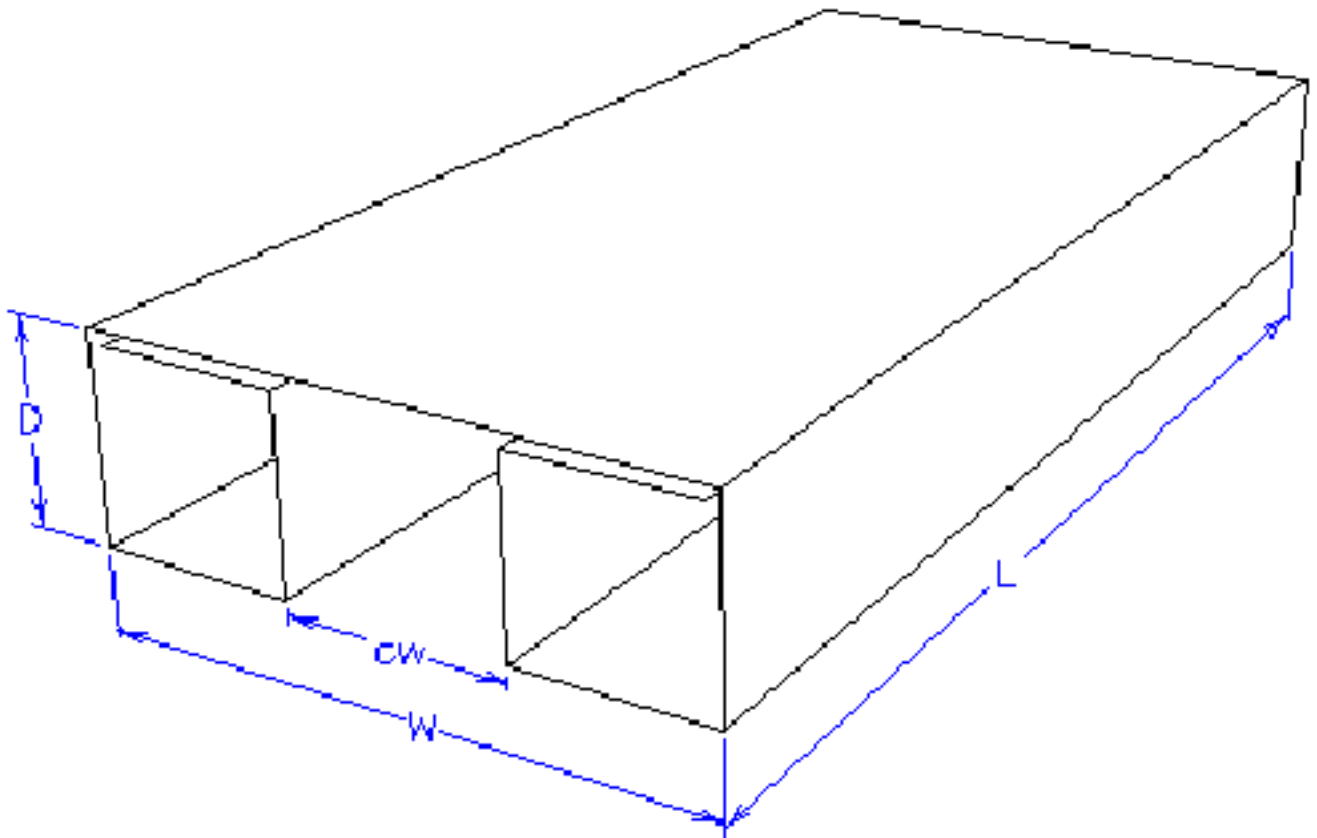




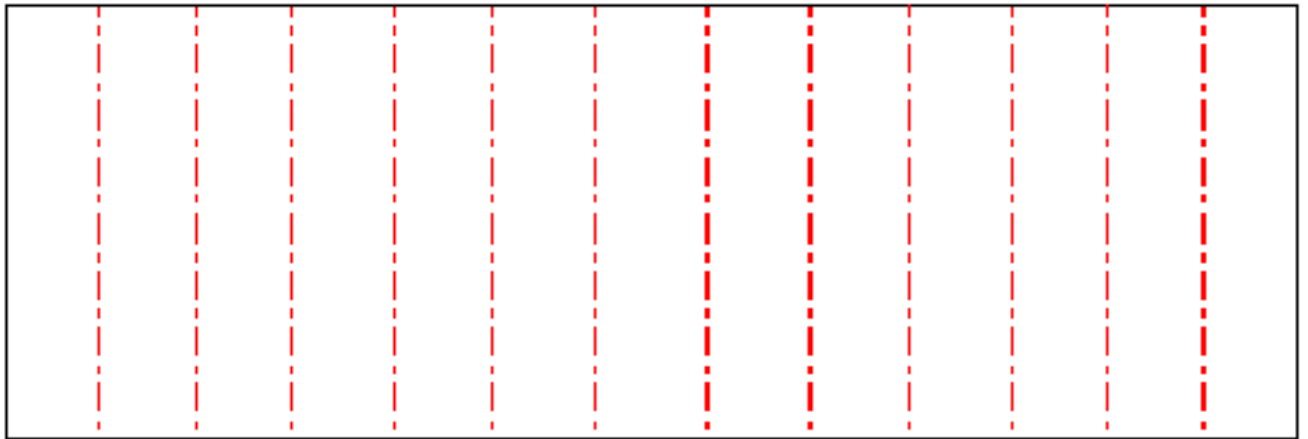
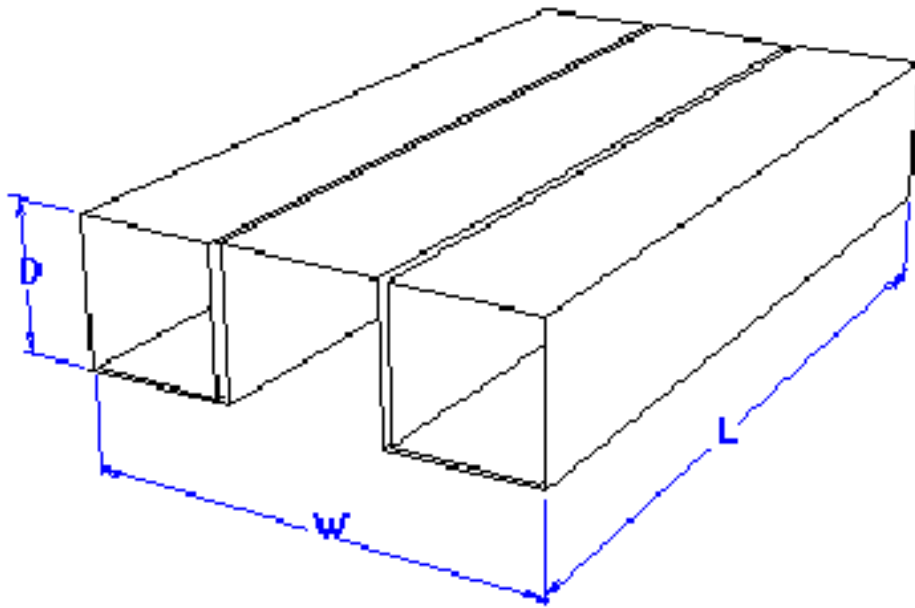
F0945



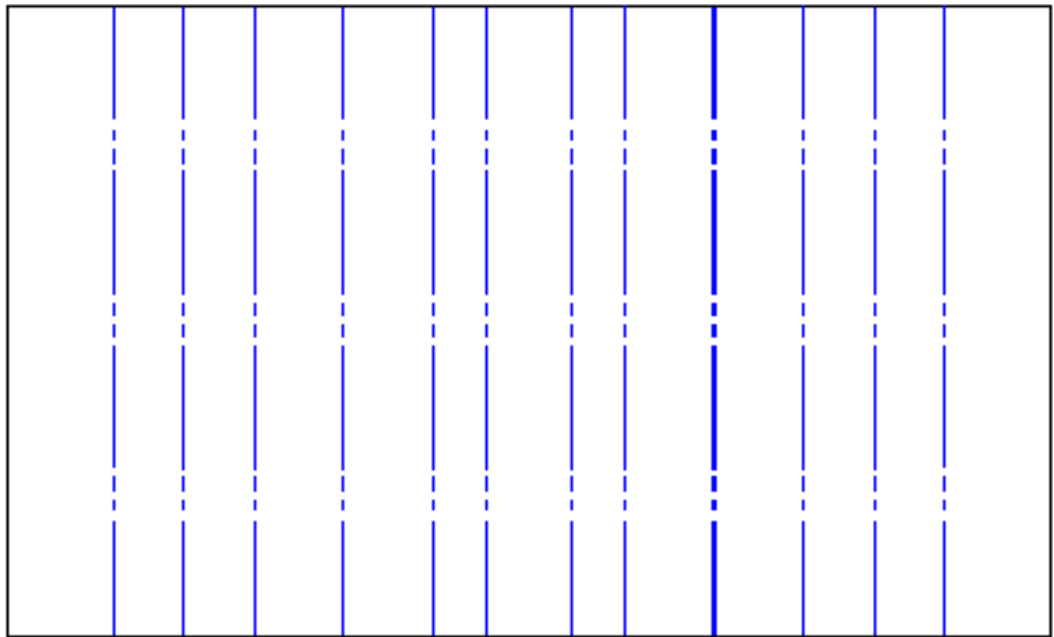
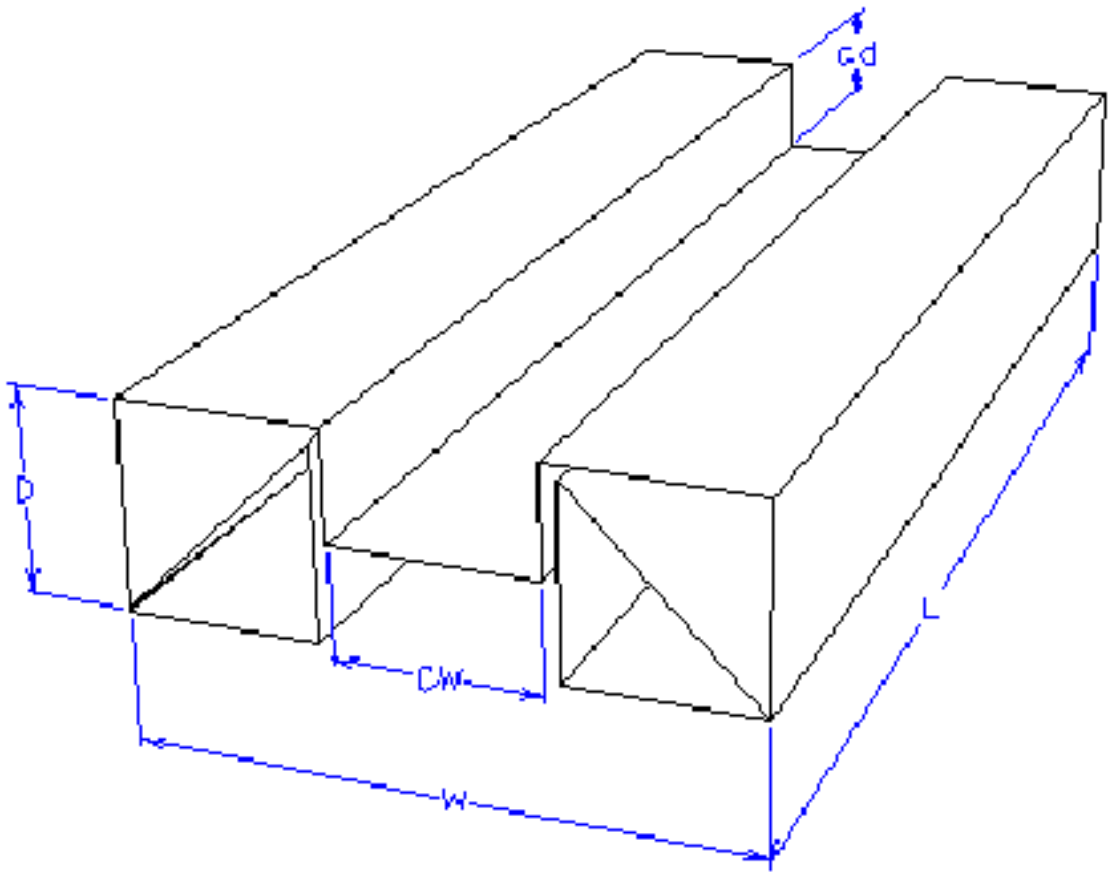
F0946



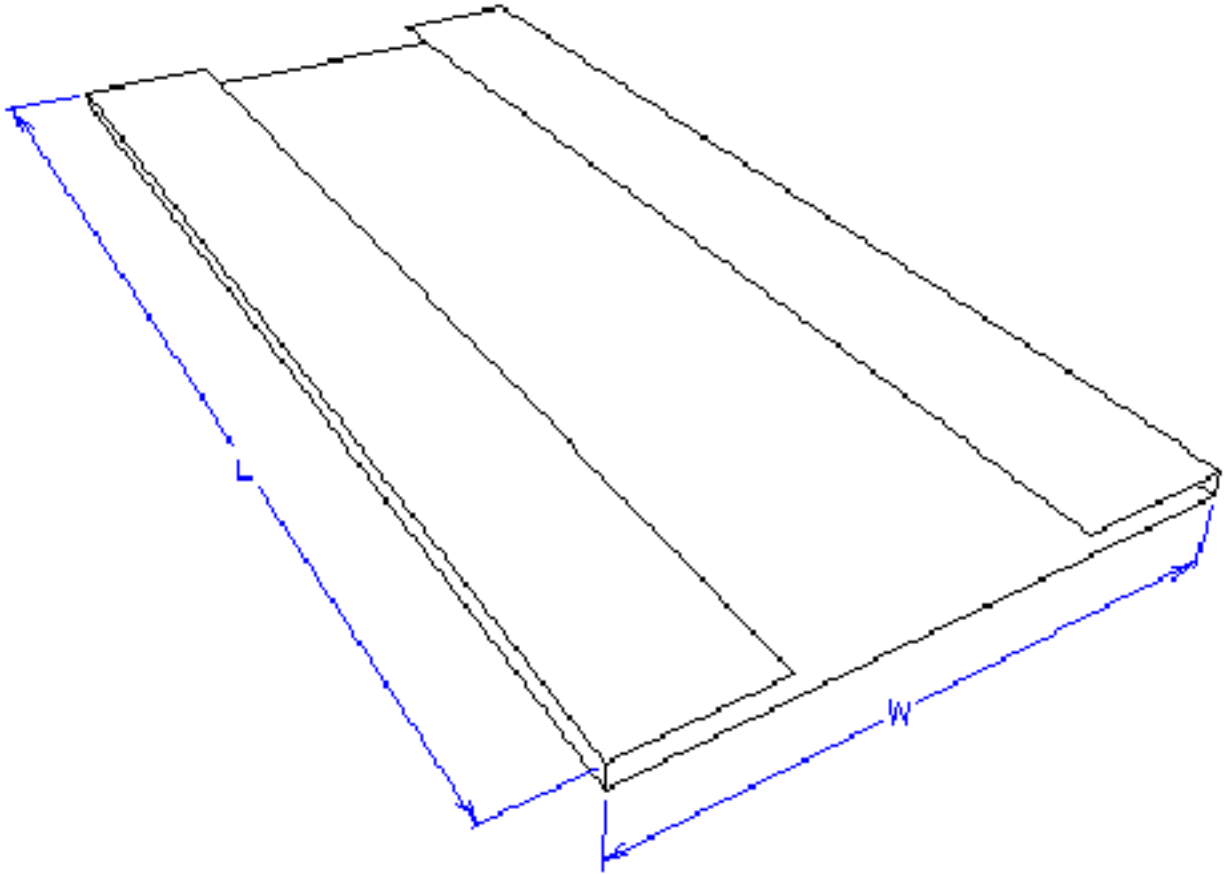
F0947

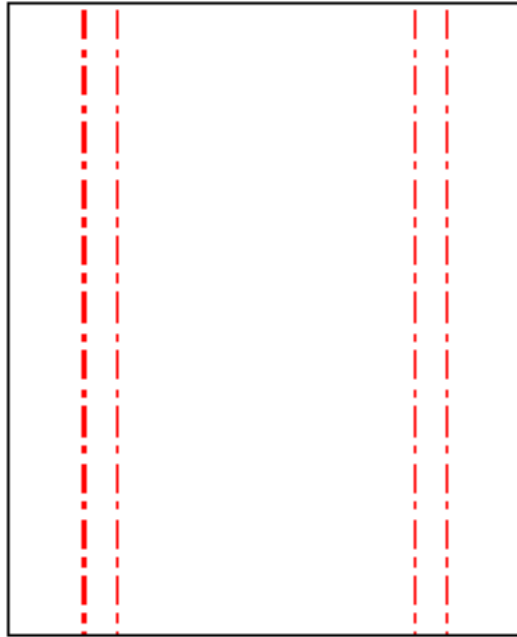


F0948

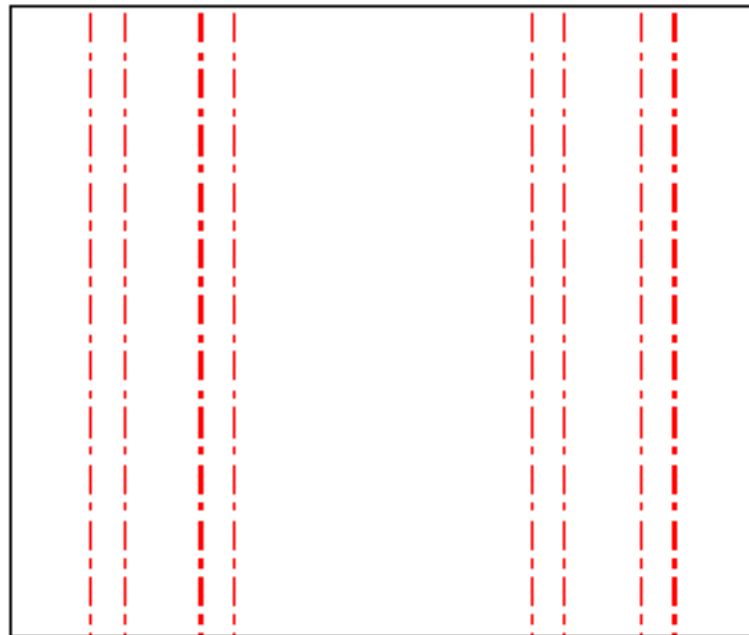
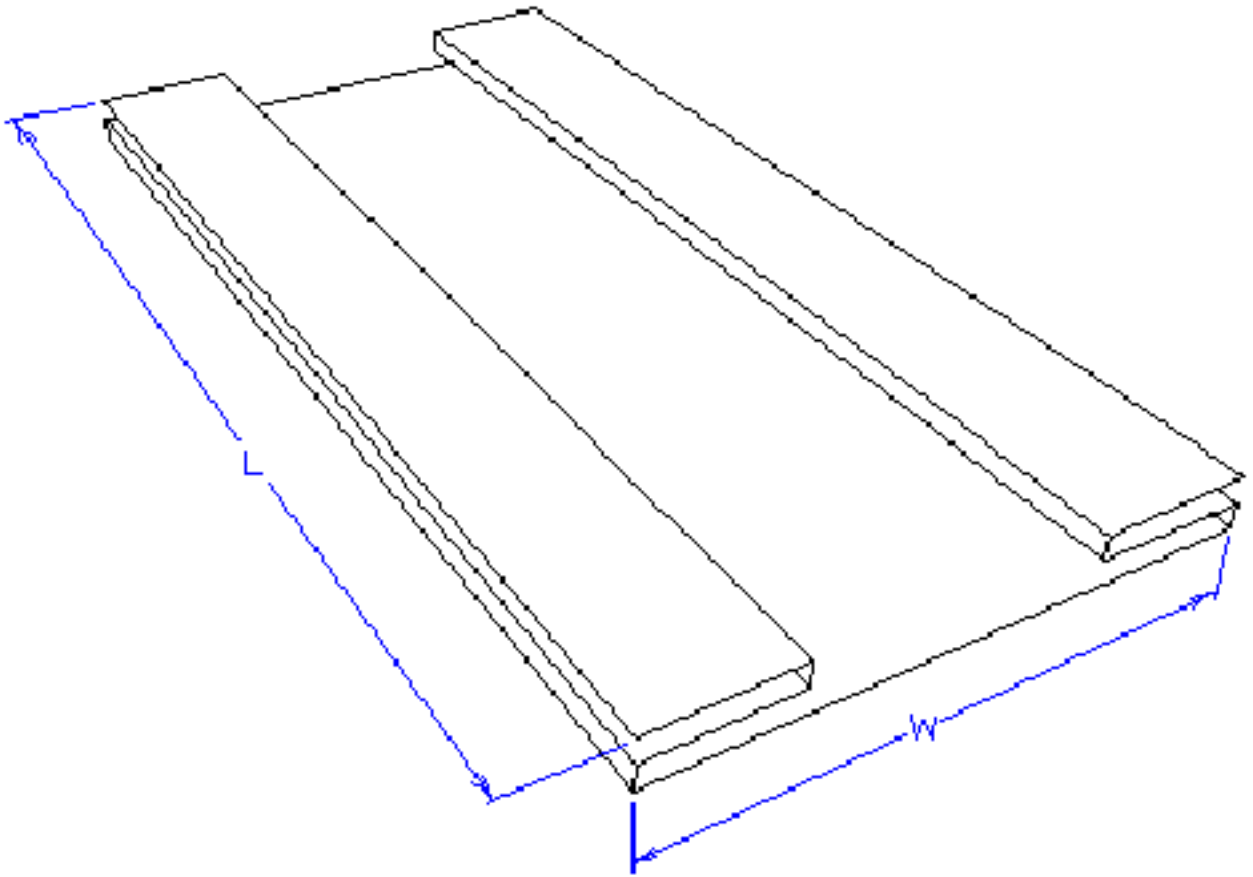


F0949

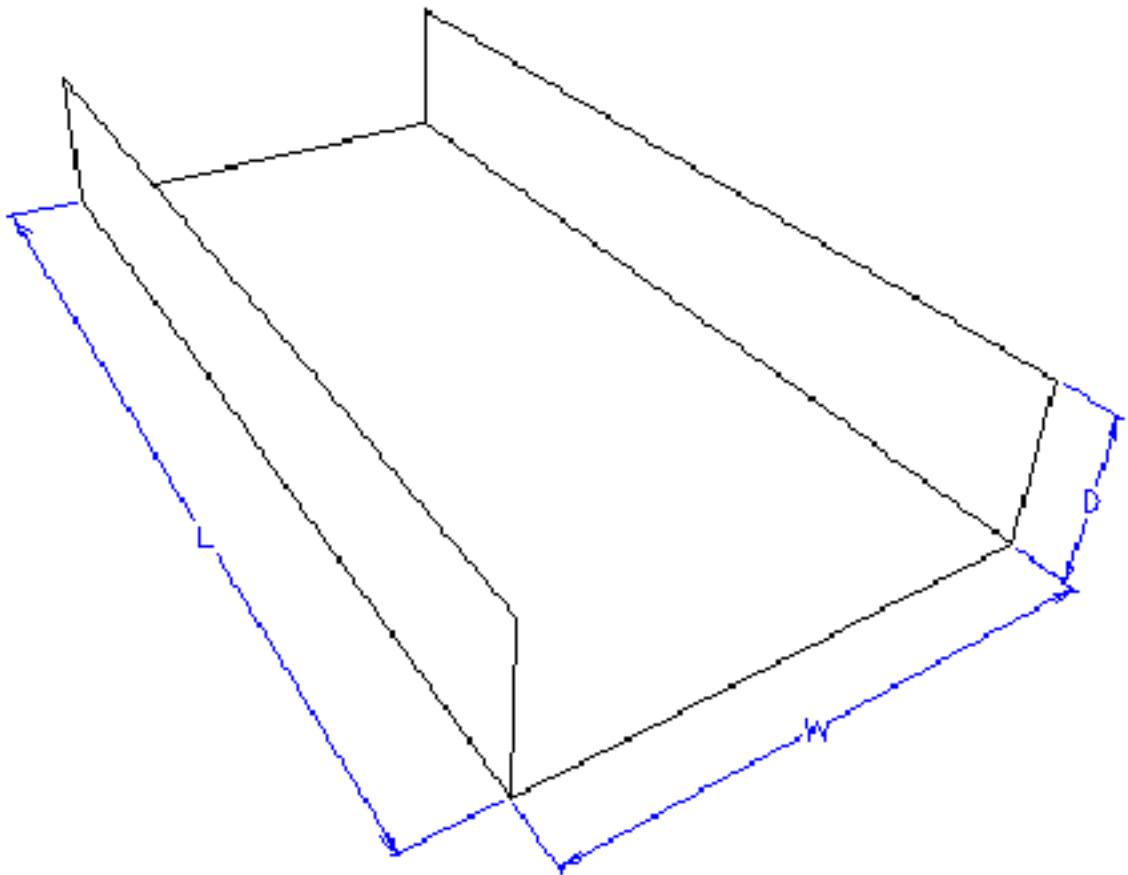


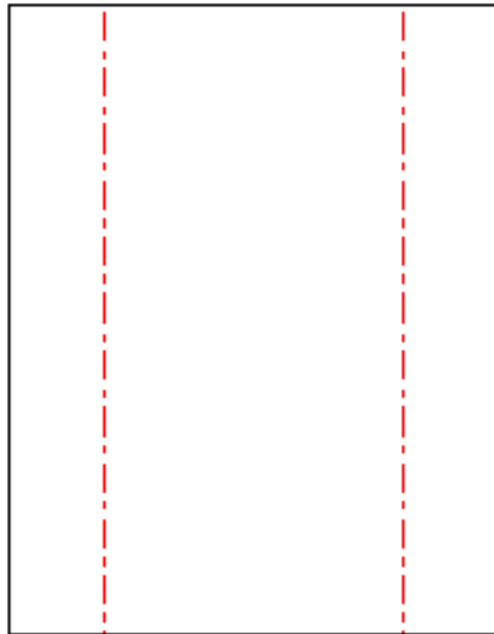


F0950



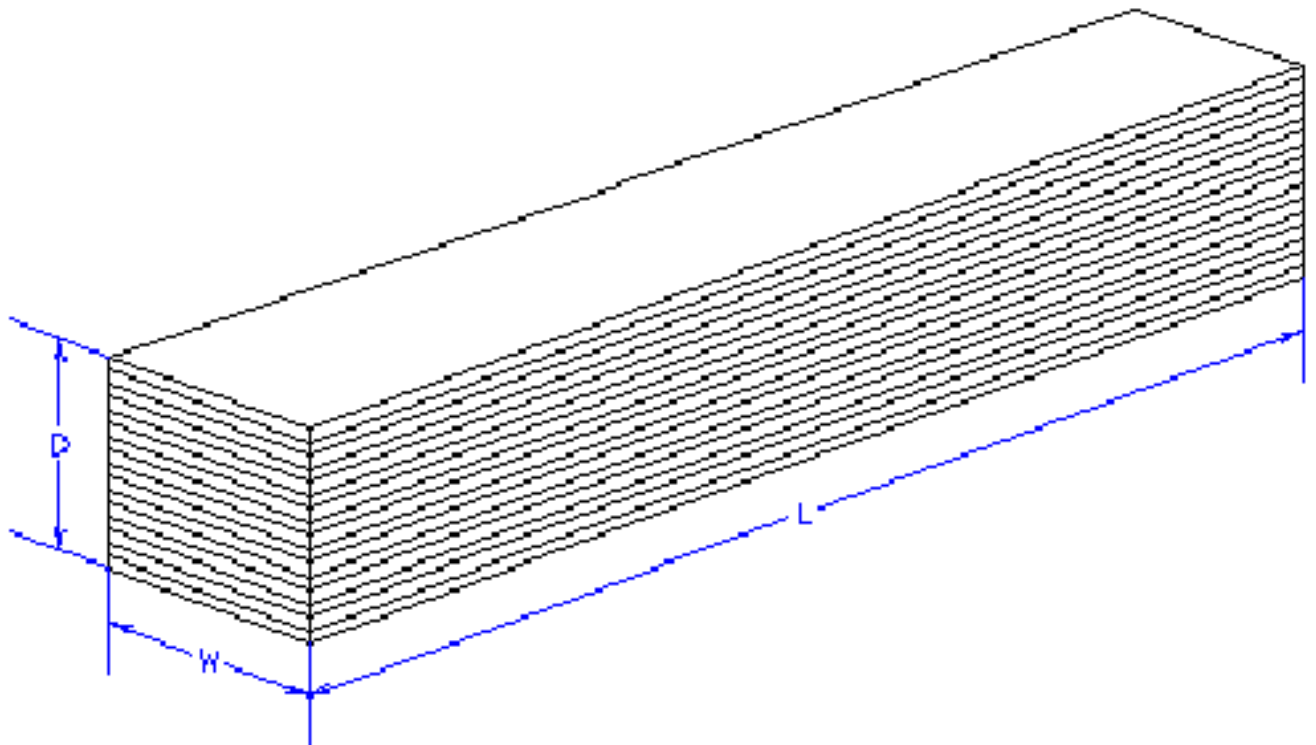
F0951

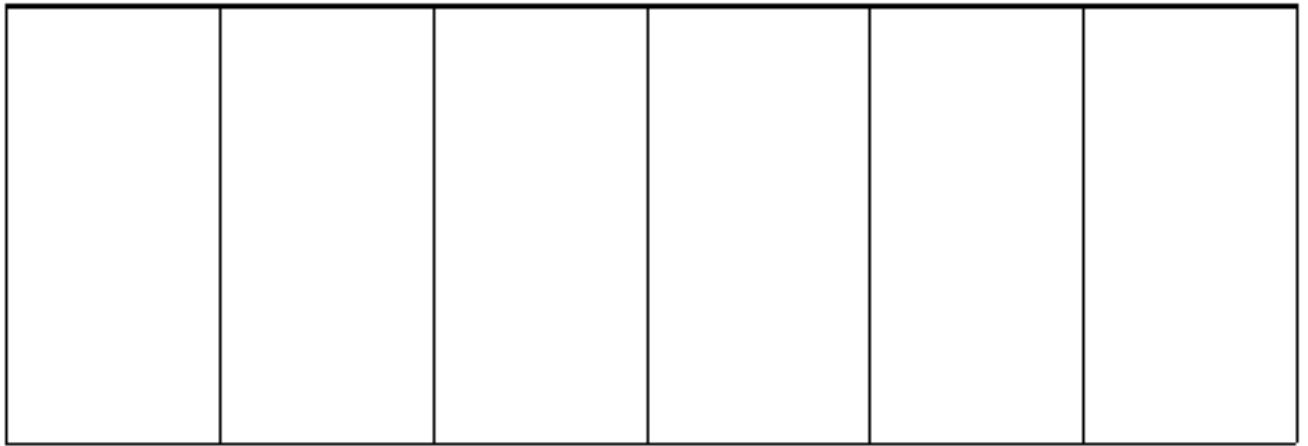




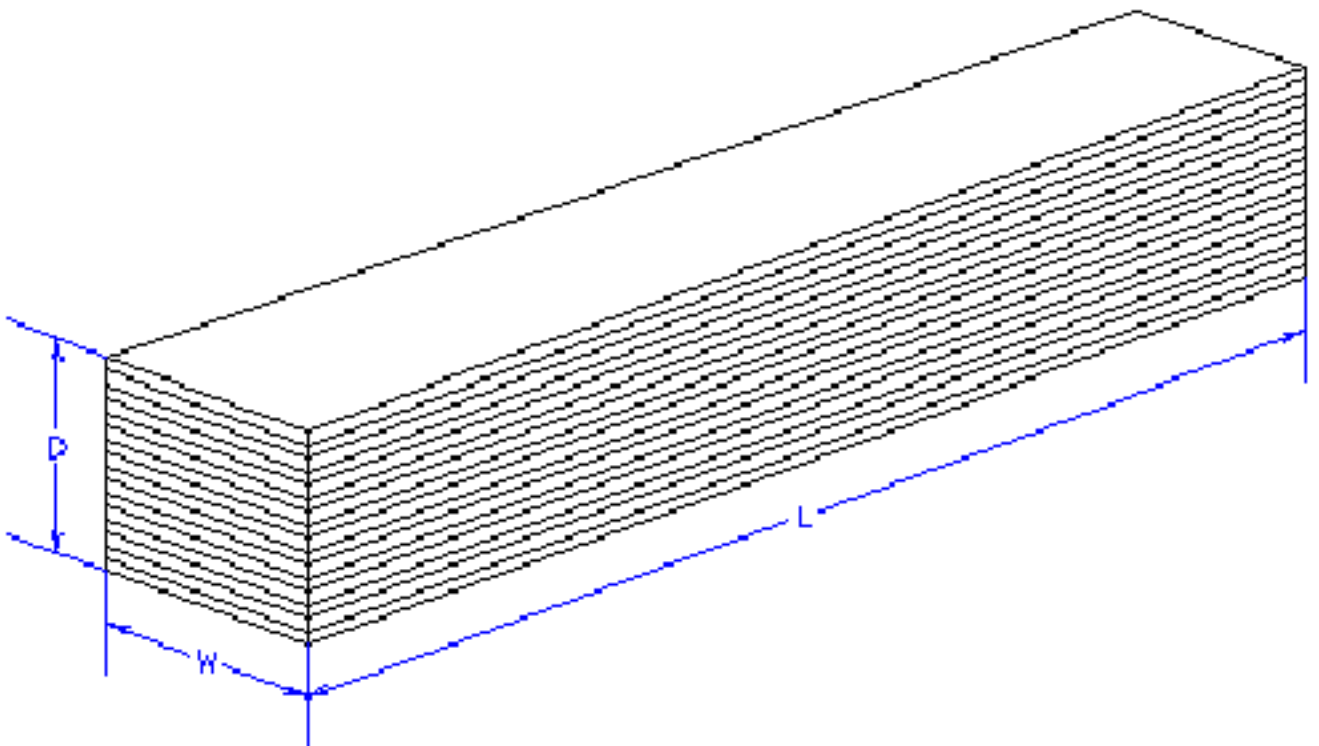
F0965

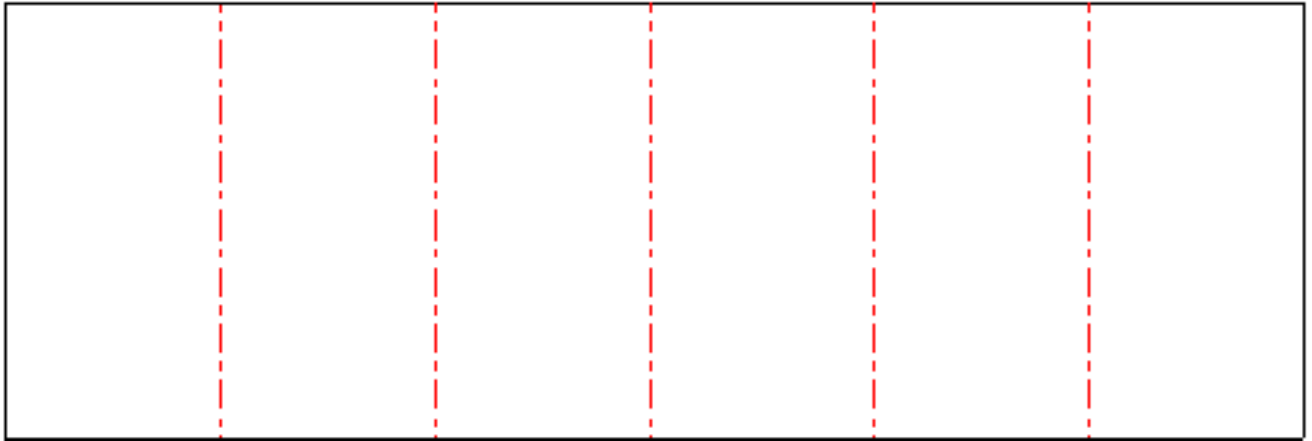
[



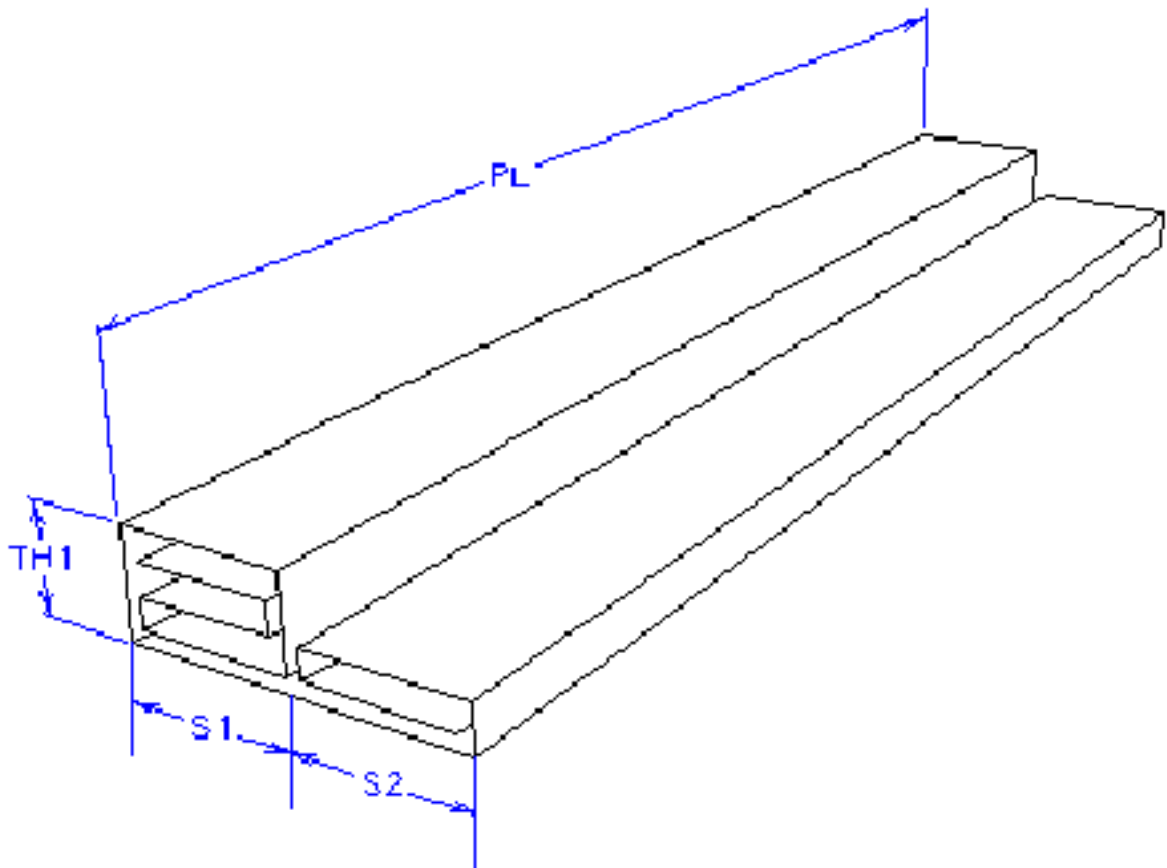


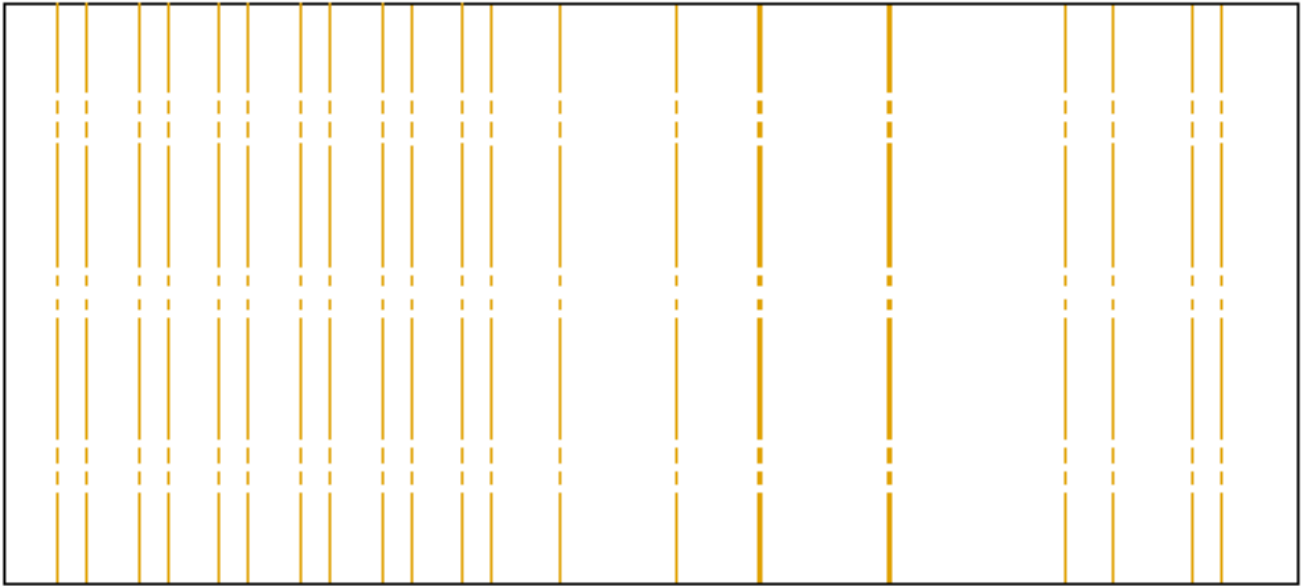
F0966



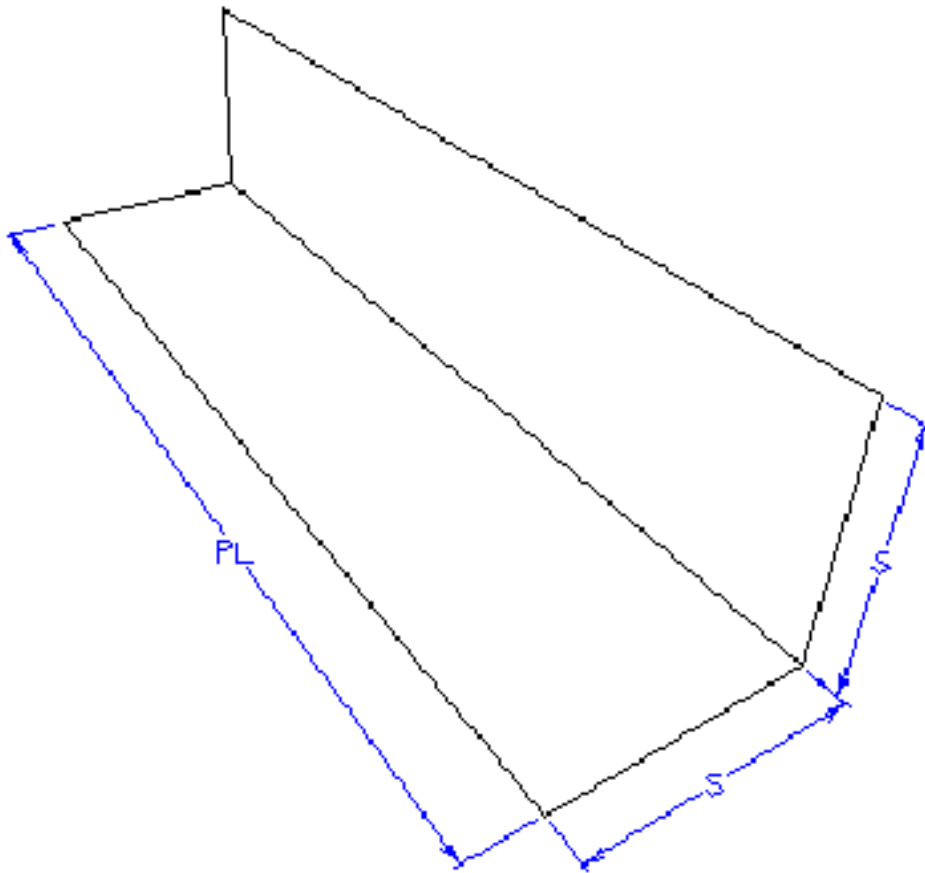


F0967



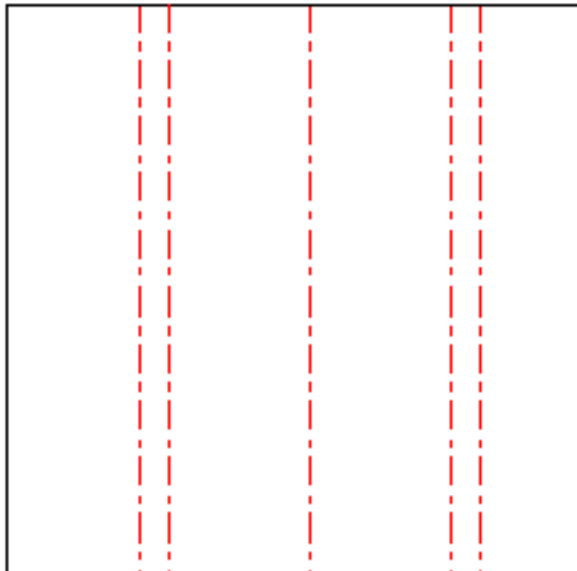


F0970

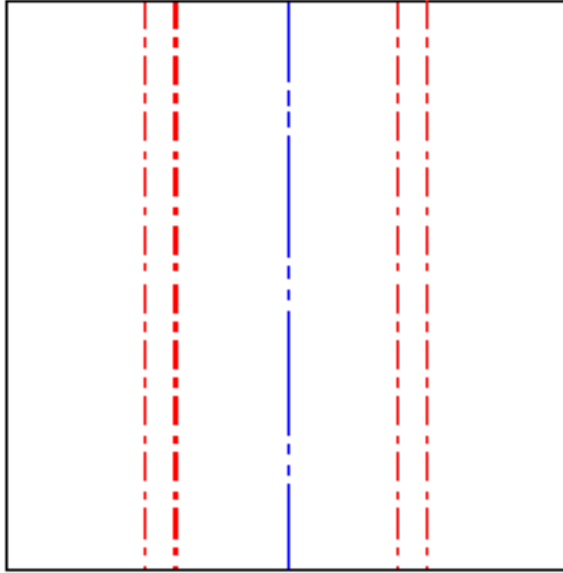




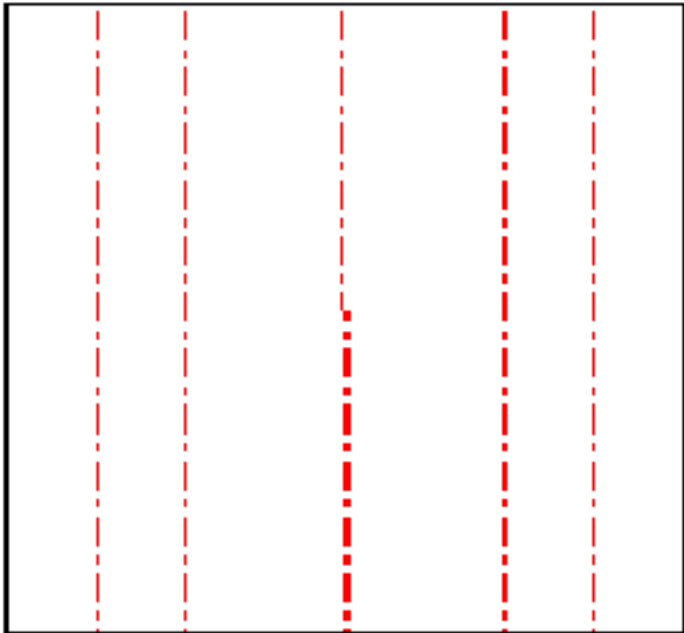
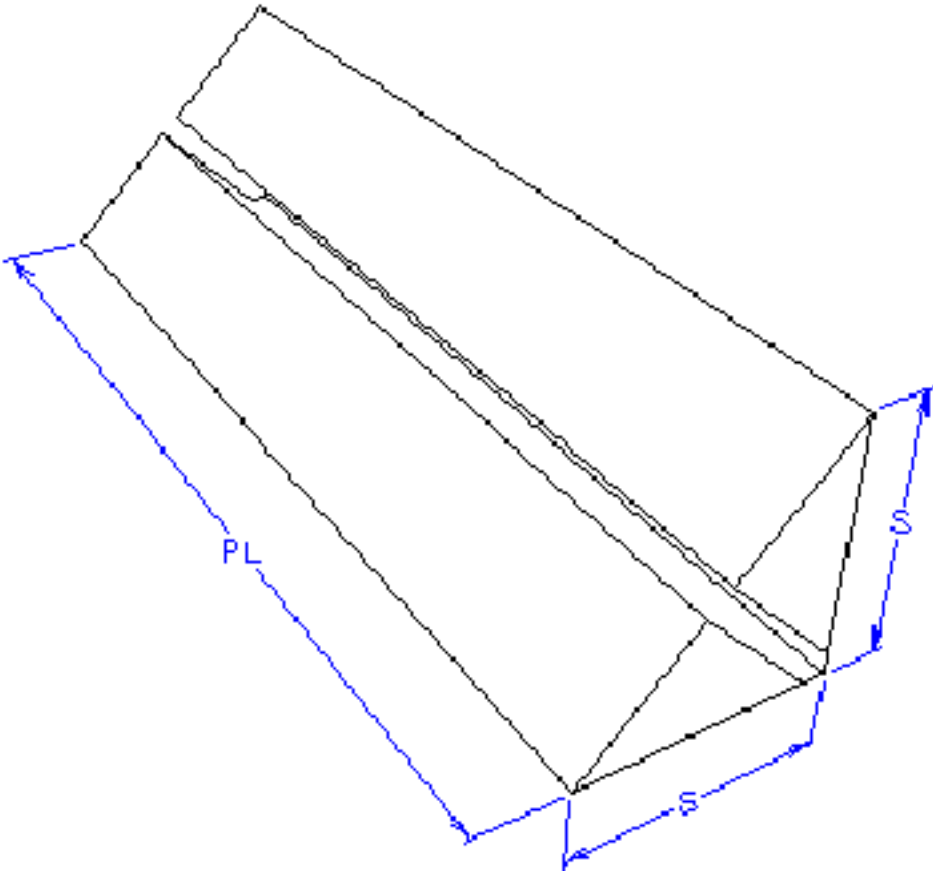
F0971



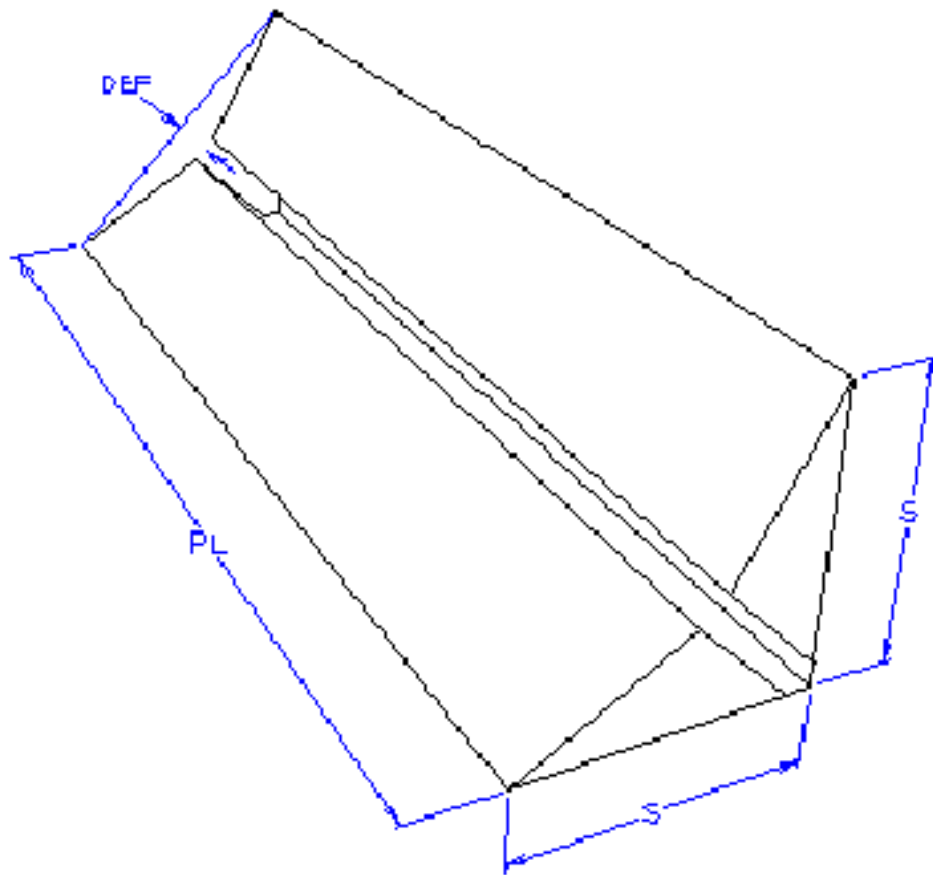
F0972

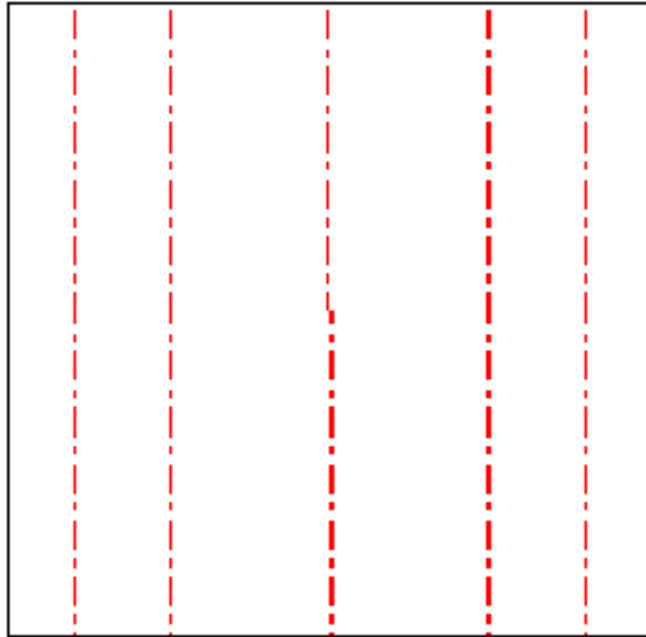


F0973

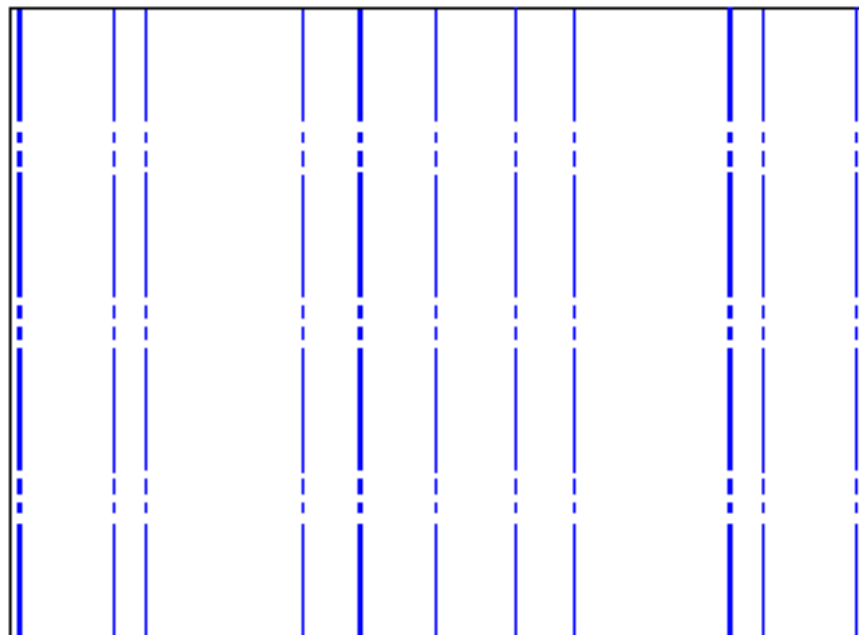
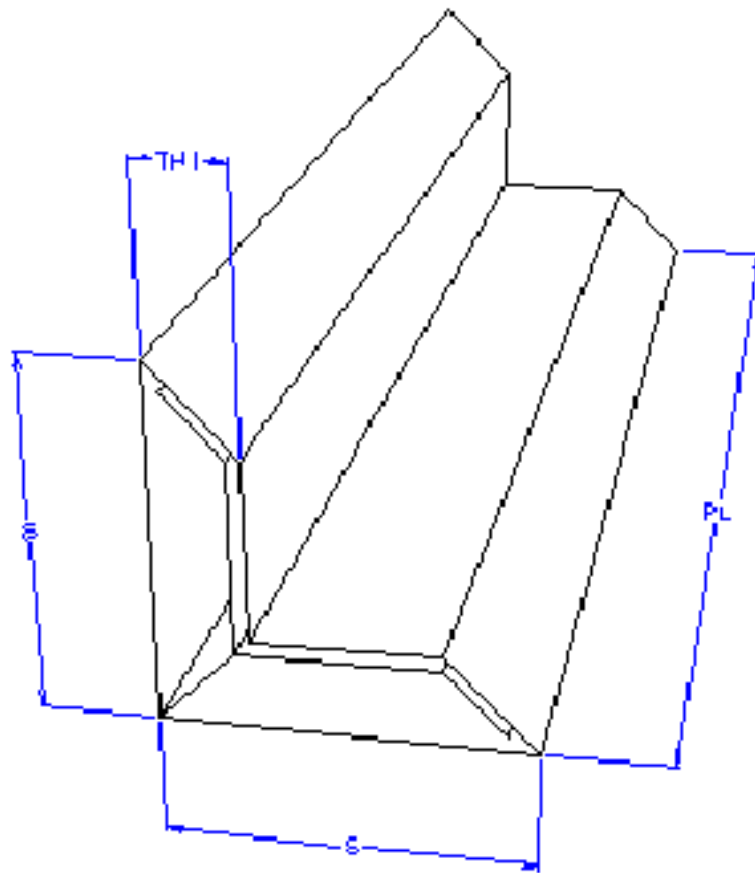


F0974

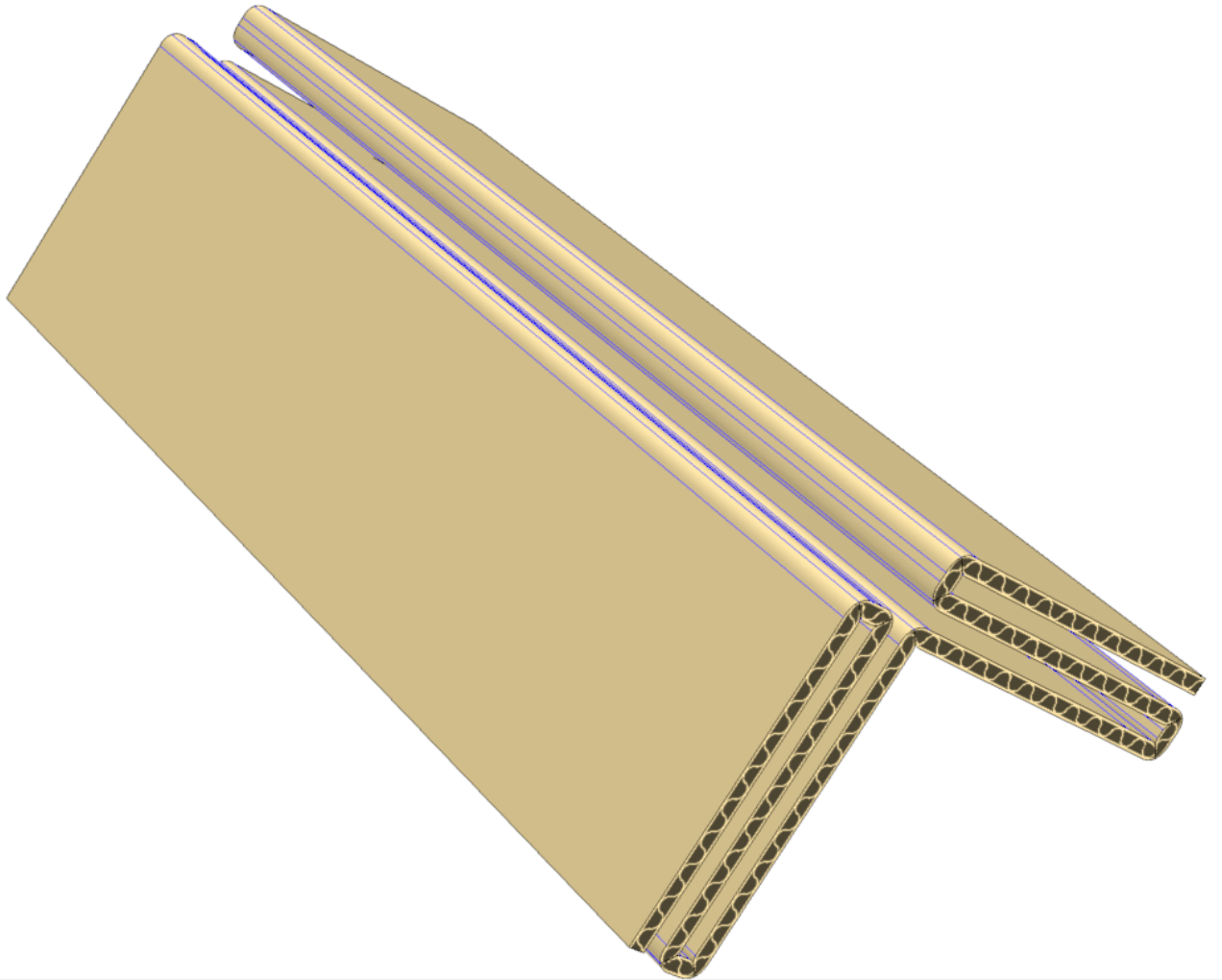


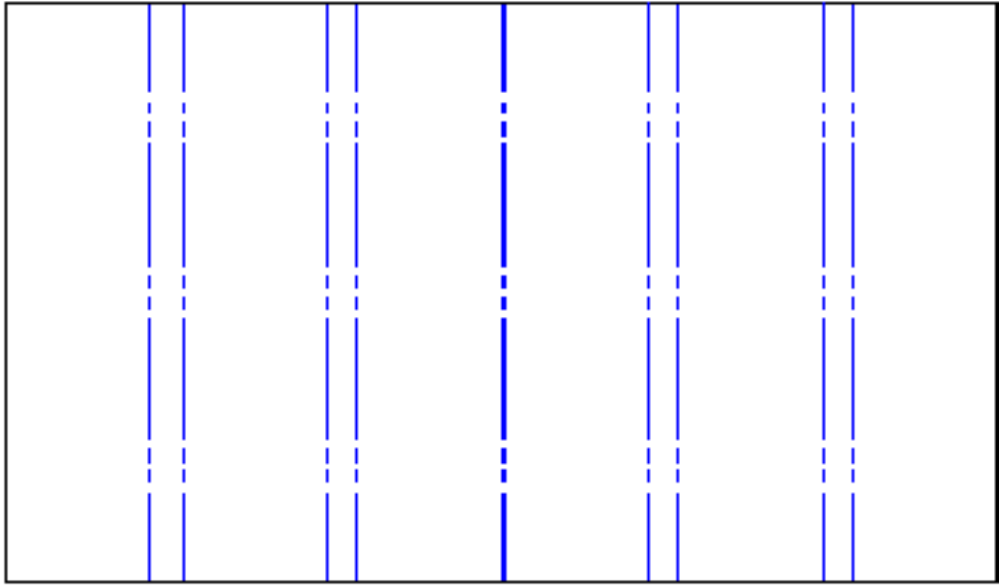


F0975



F0976

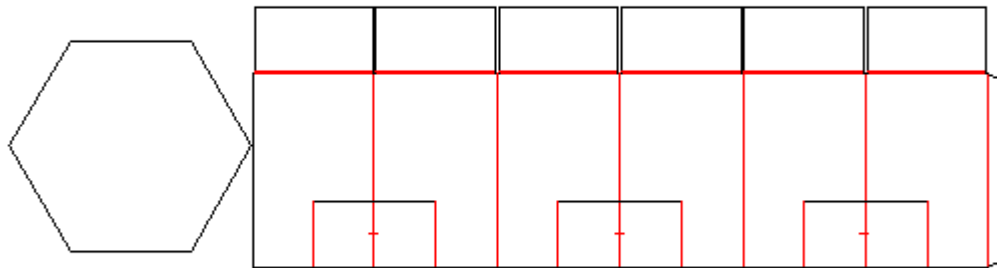


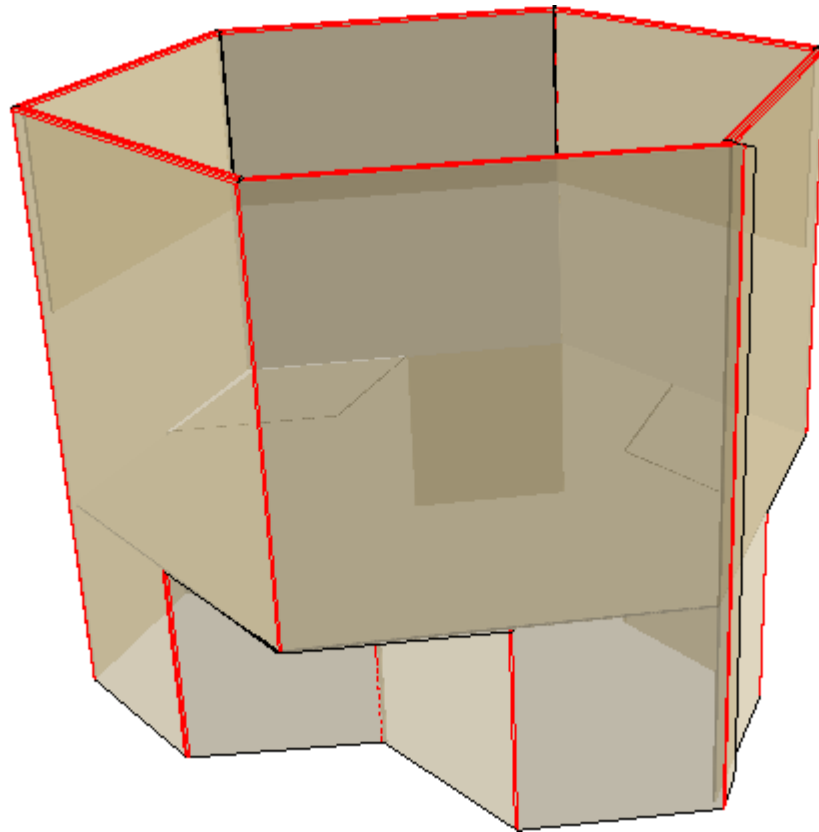


4. Display Standards

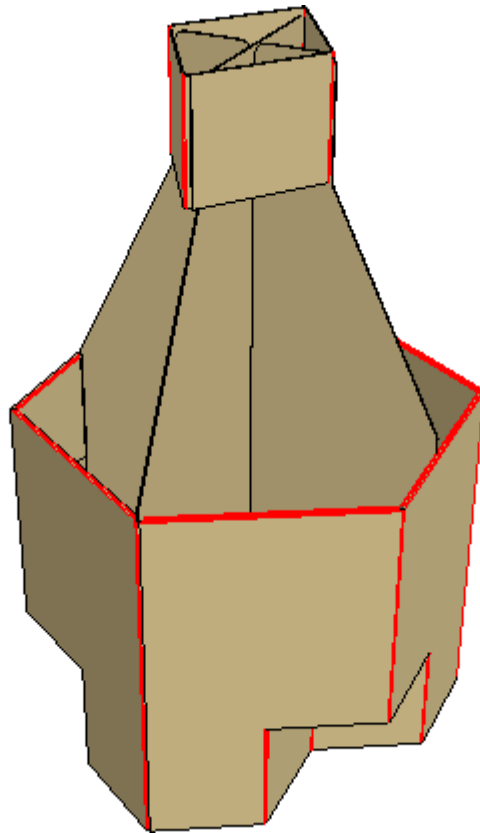
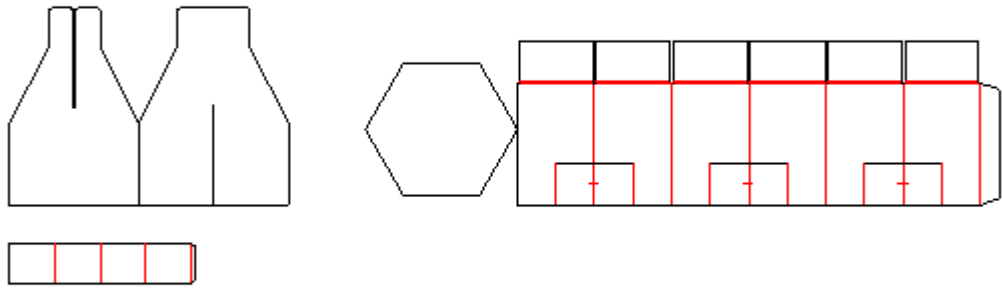
Bins

Hexagonal Bin

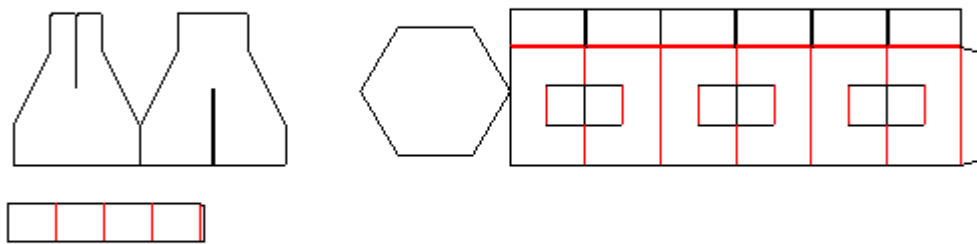


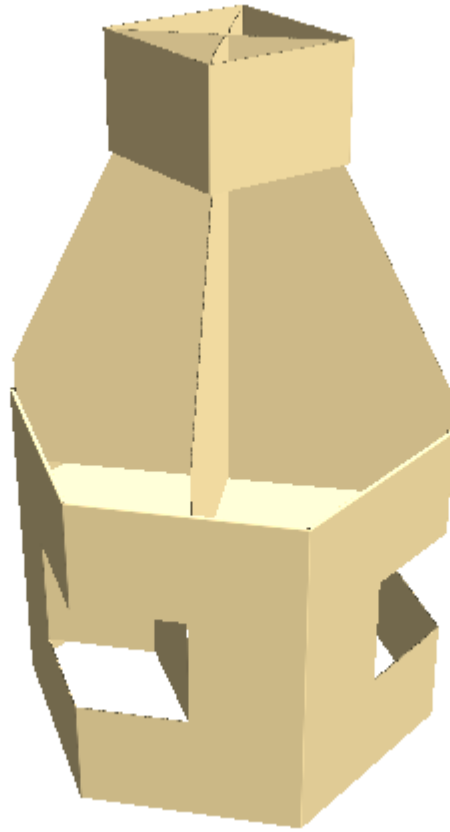


Hexagonal Bin - Dispenser Bottom

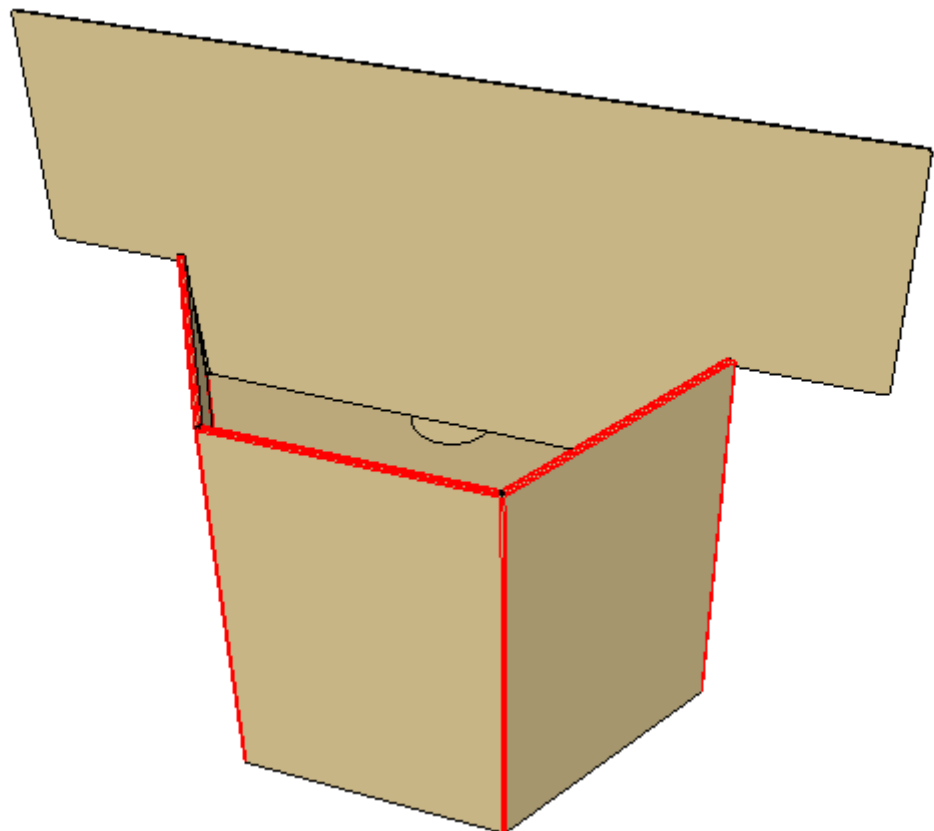
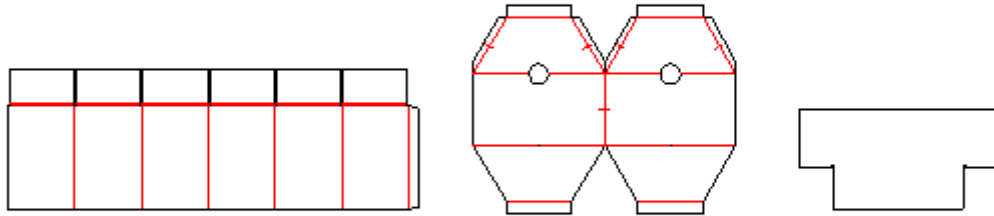


Hexagonal Bin - Dispenser Center

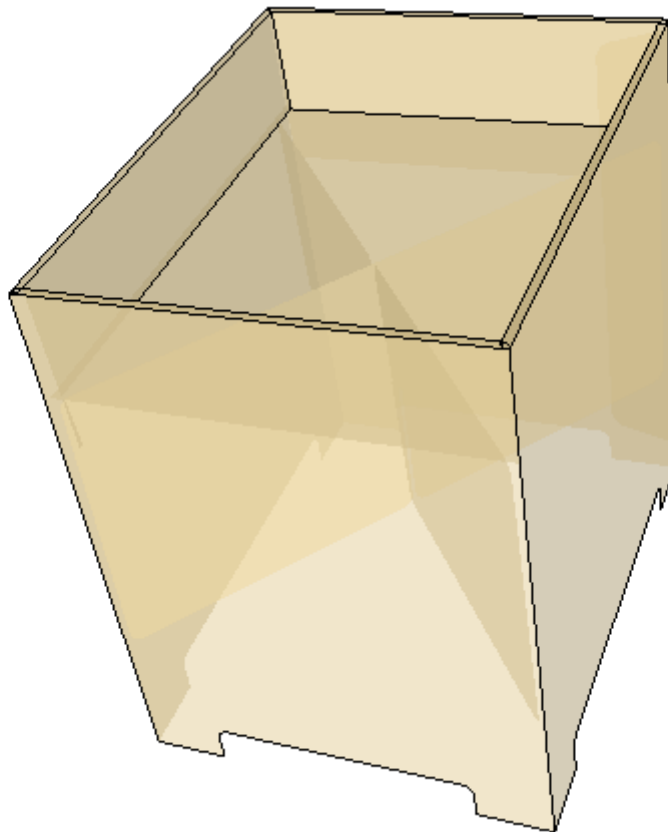
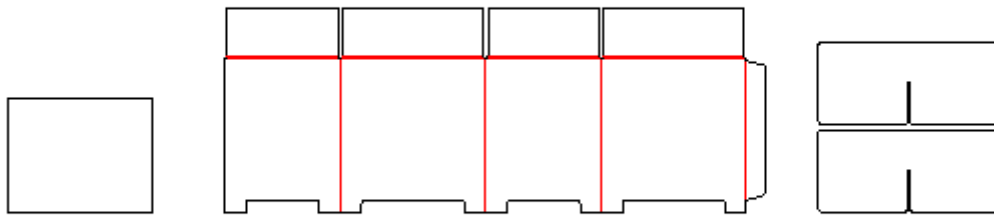




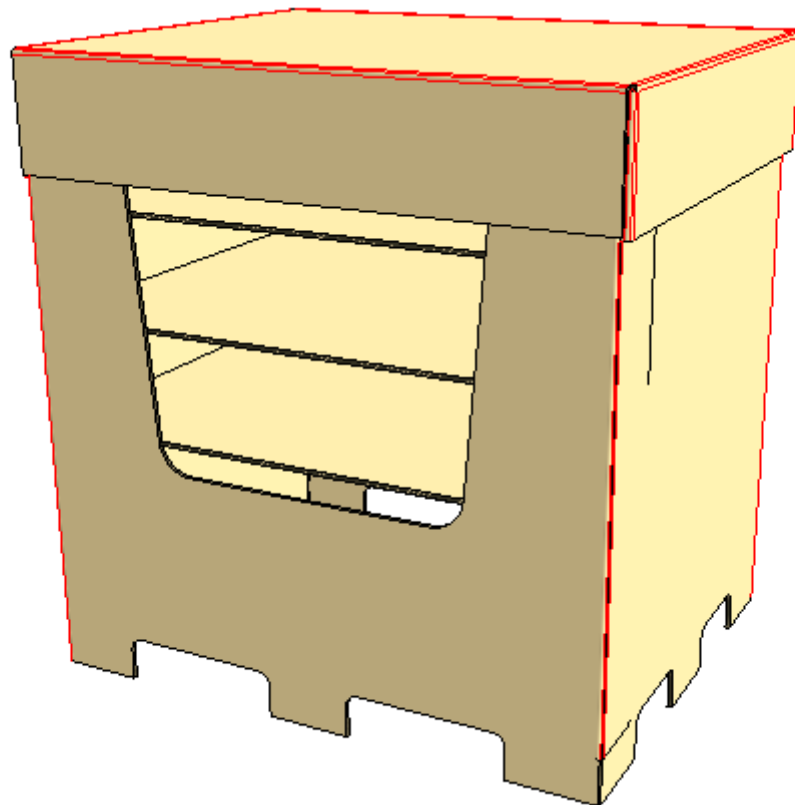
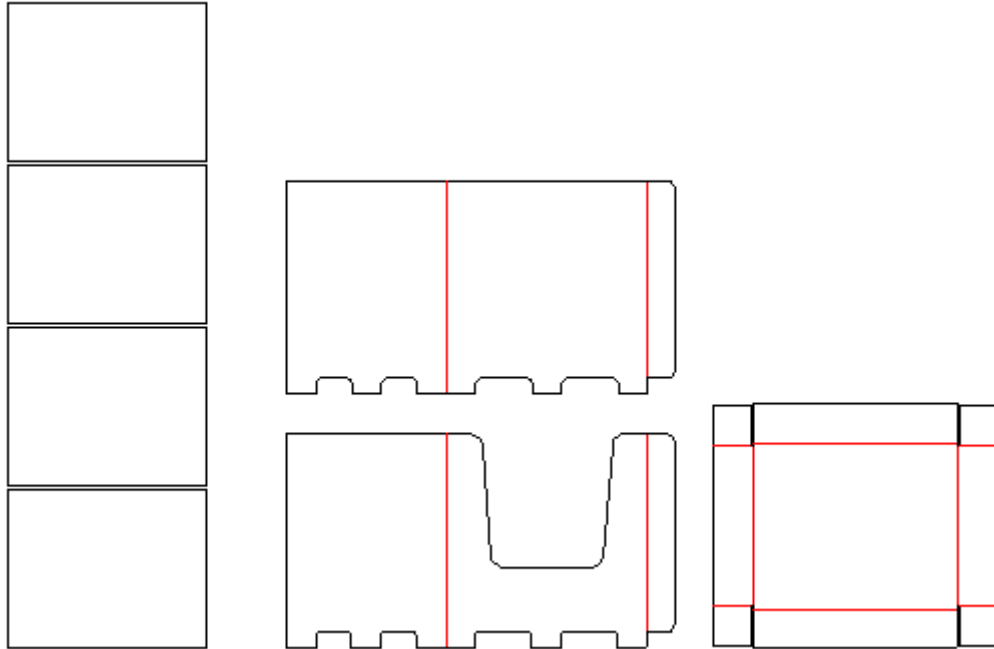
Hexagonal Bin - Header



Pallet Base with Cross Lock

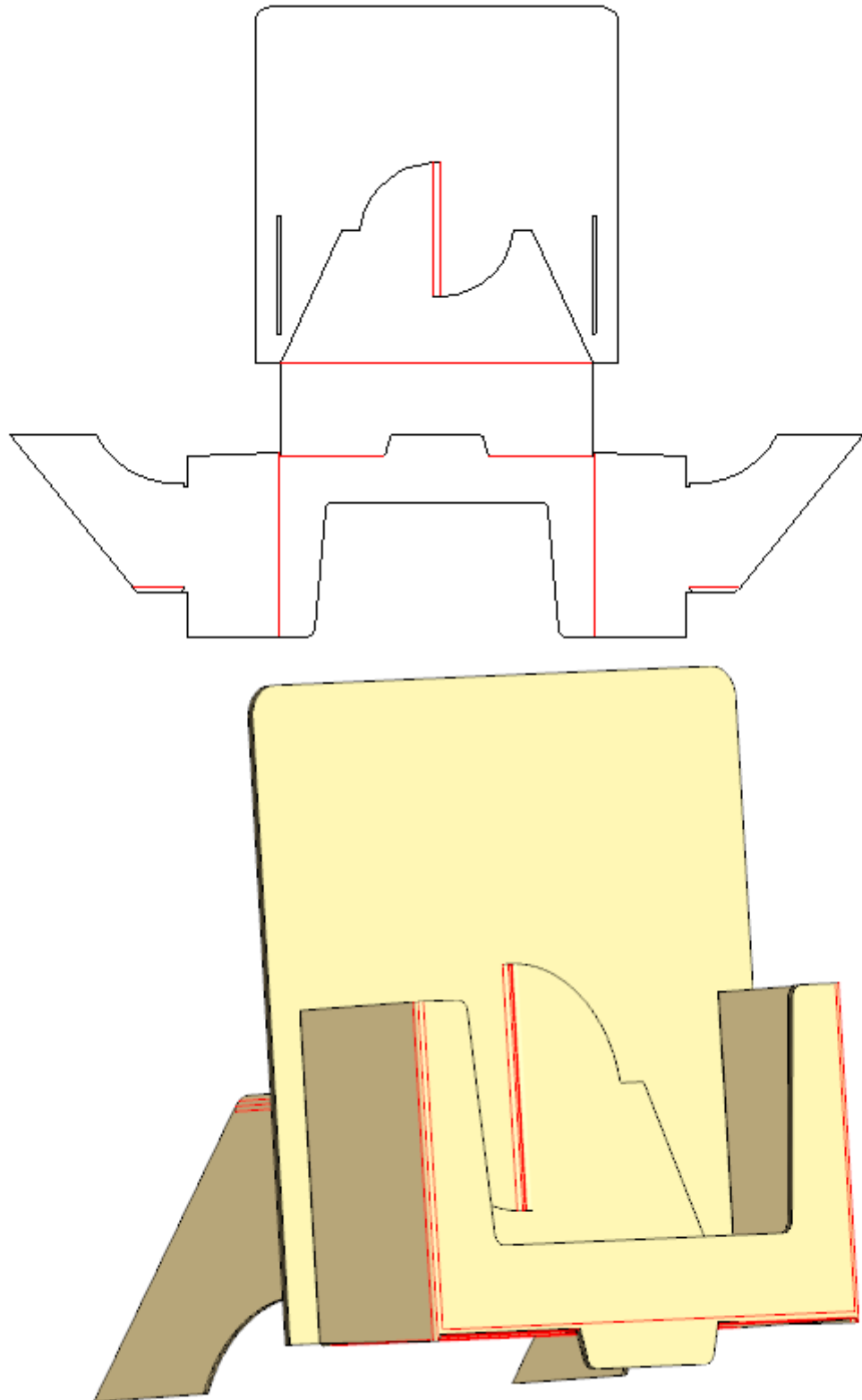


Pallet with Lid

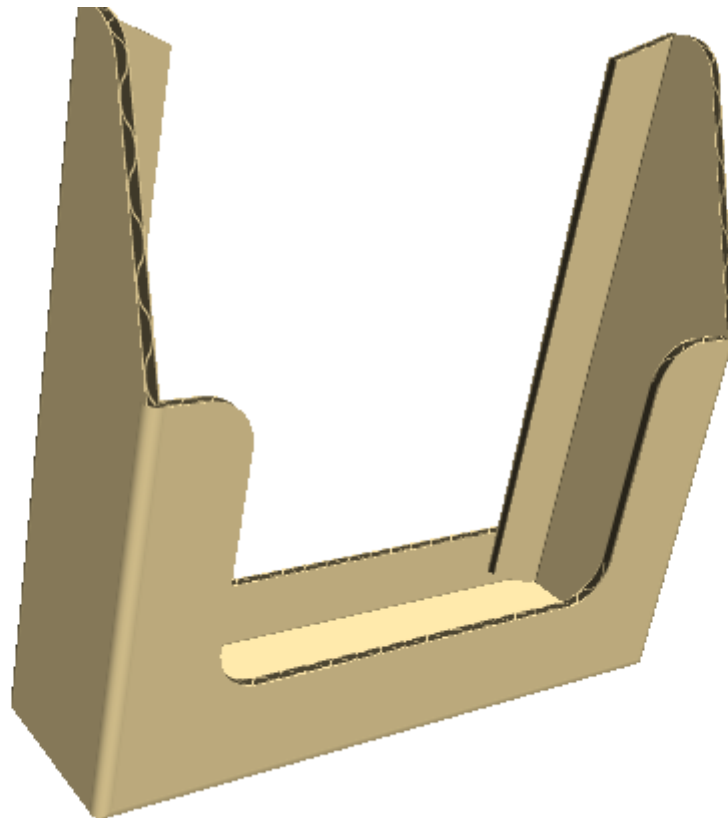
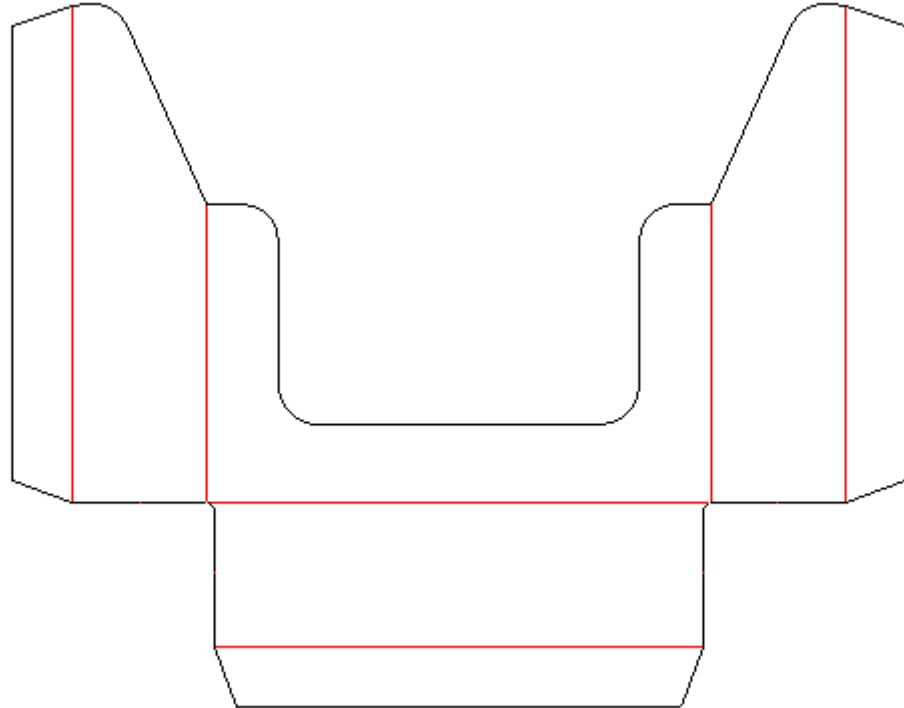


Countertop Displays

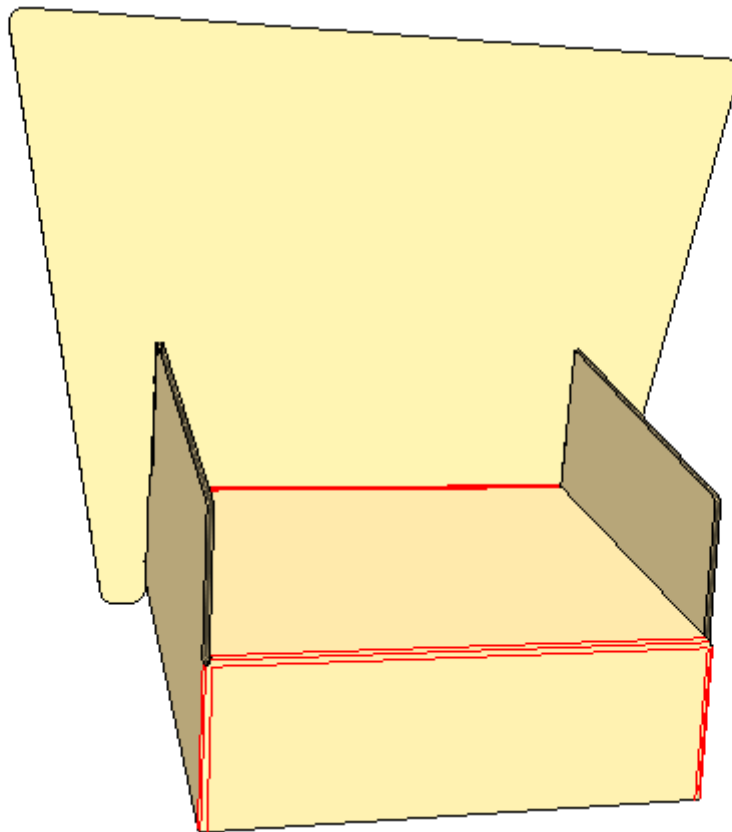
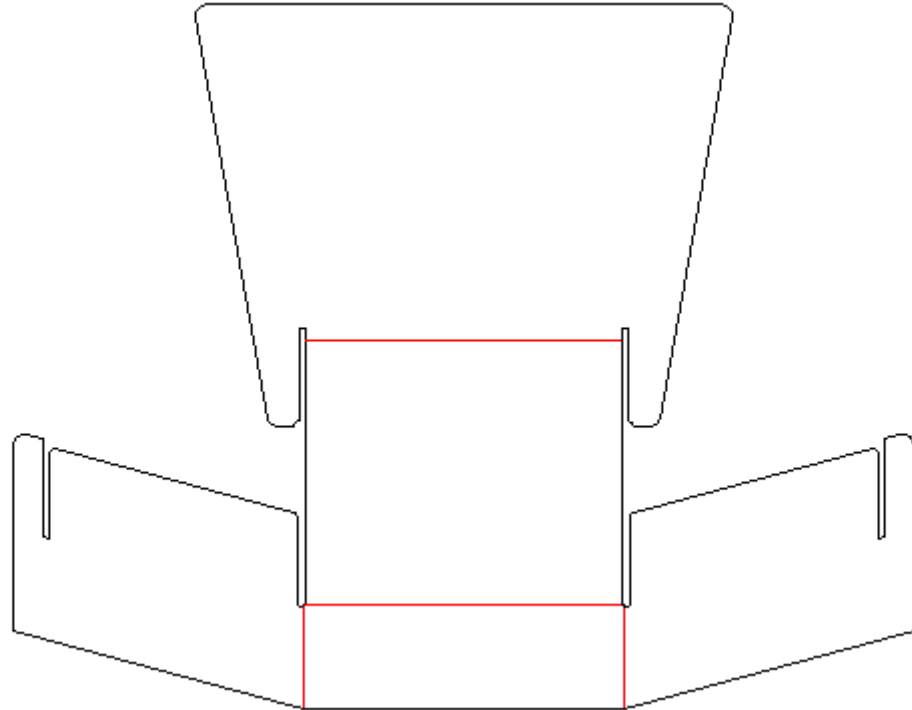
Angular Card Dispenser



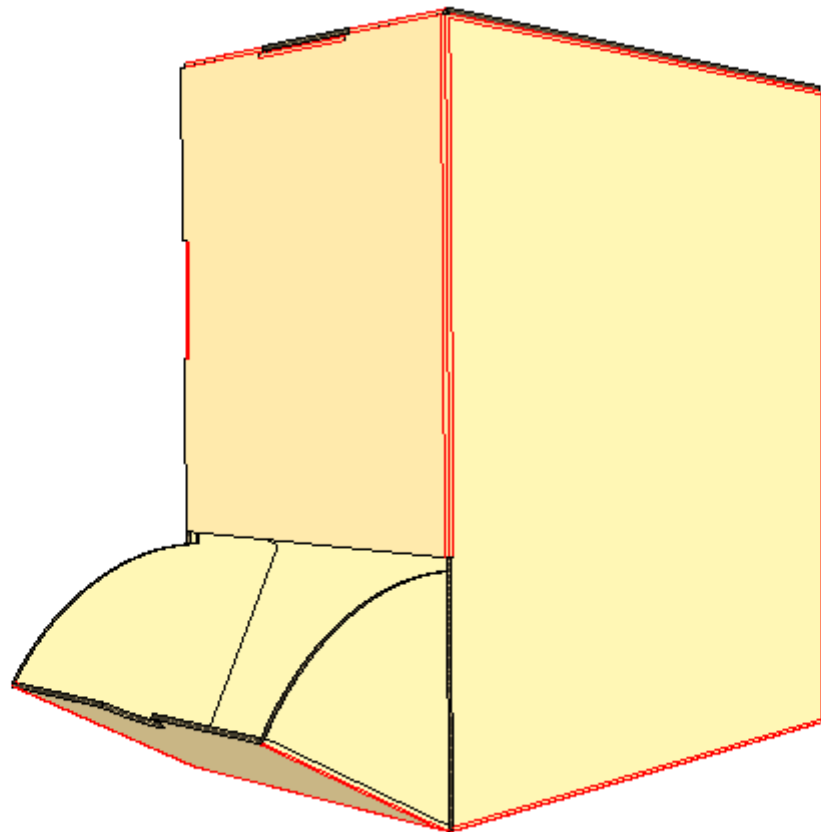
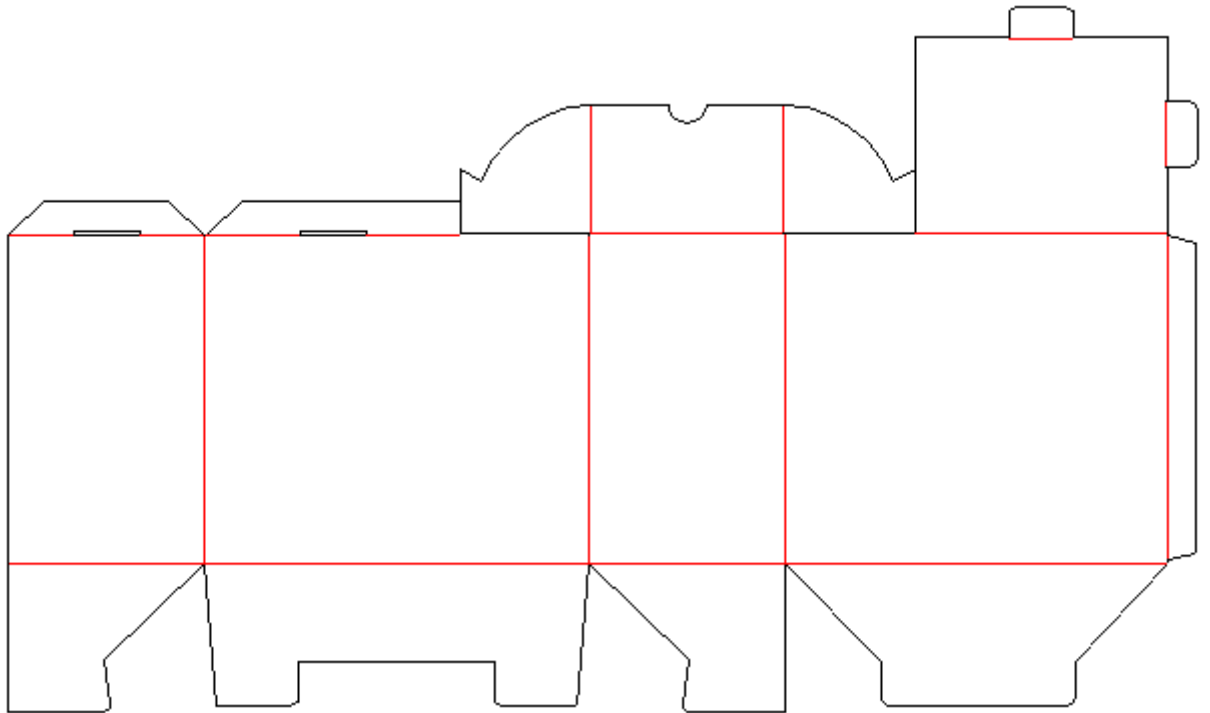
Angular Card Holder



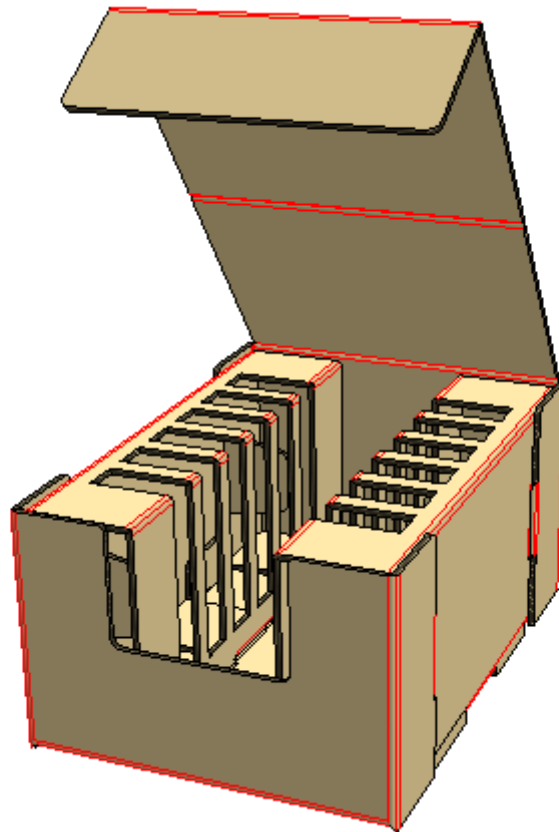
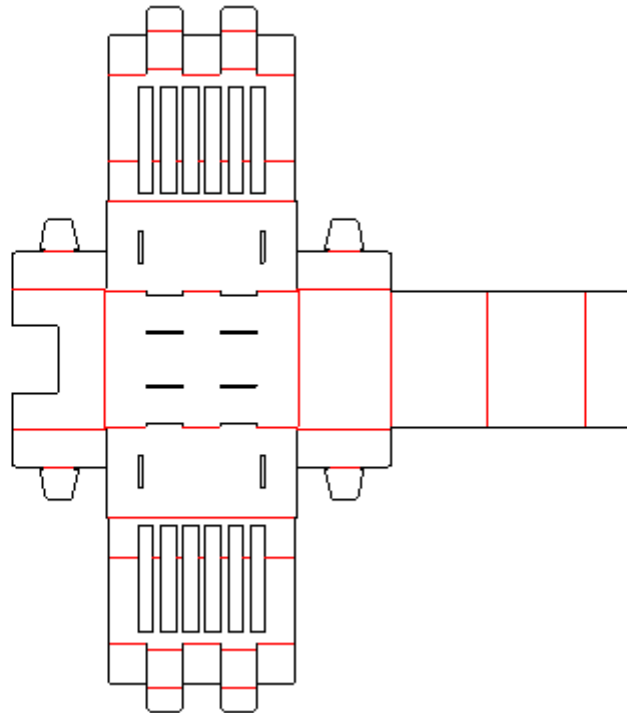
Angular Dispenser



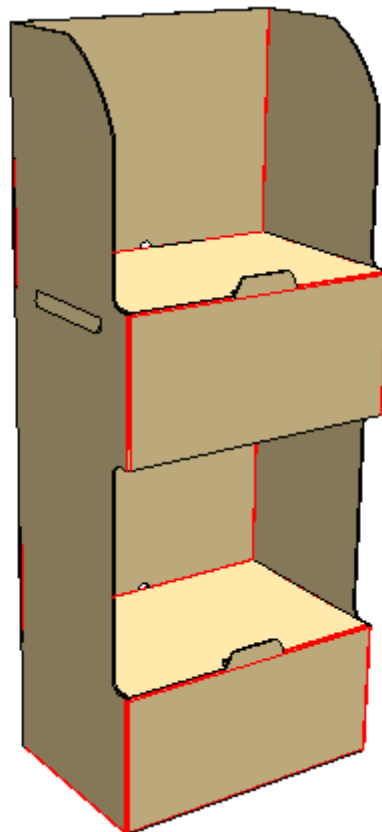
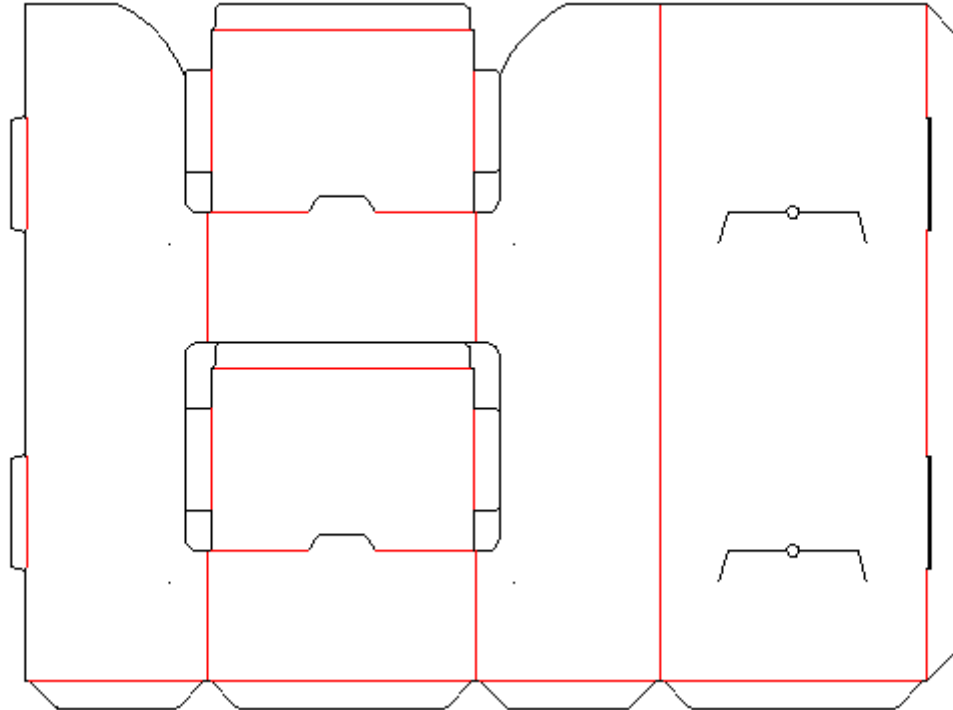
Auto Bottom Dispenser



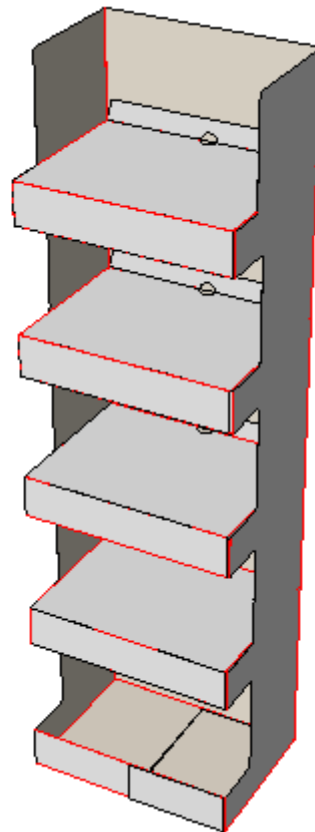
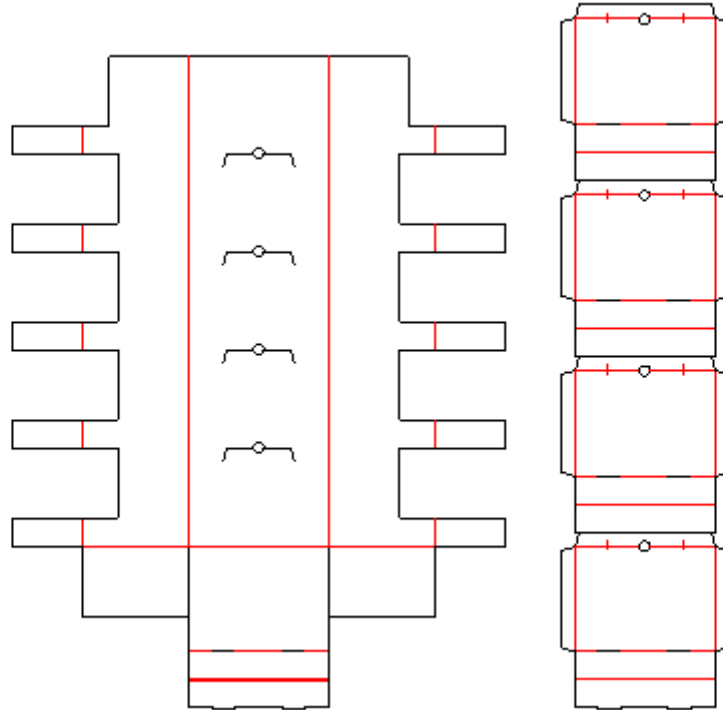
Card Dispenser With Header



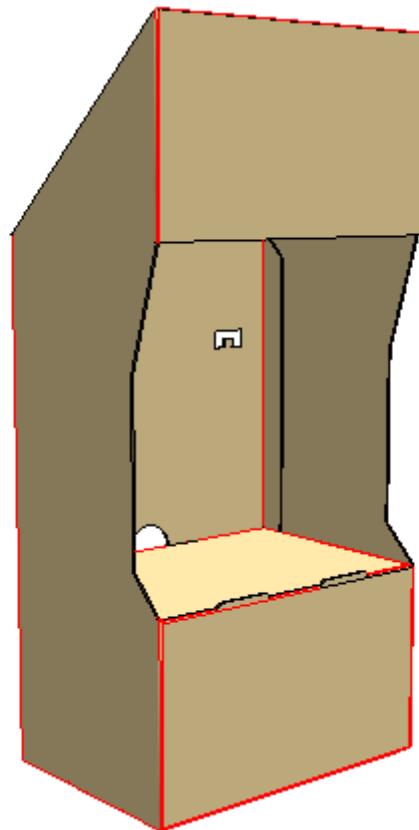
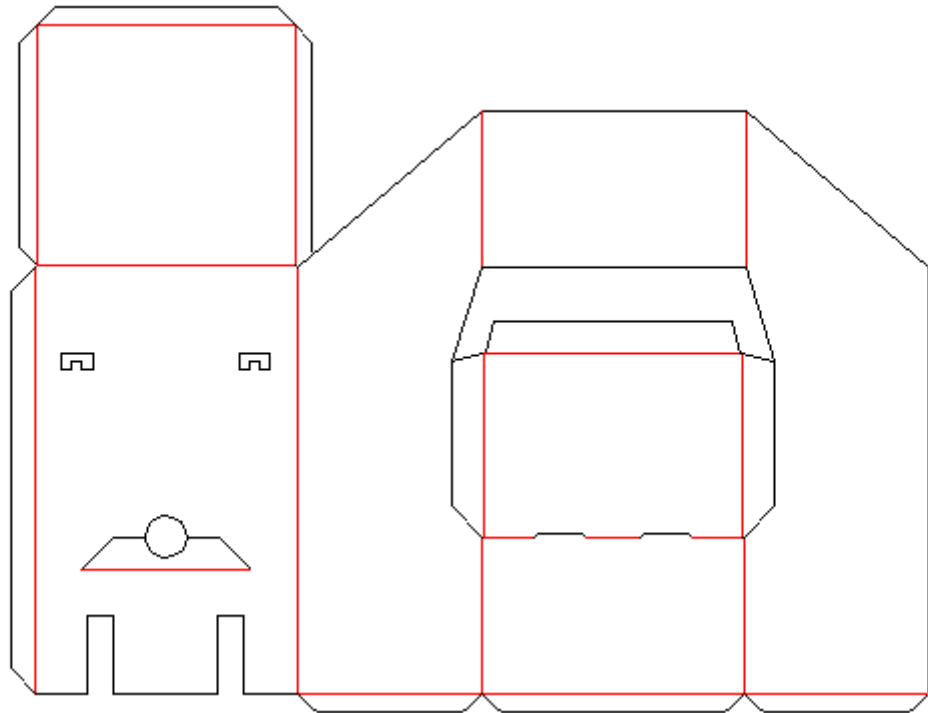
Countertop Display With Self Lock



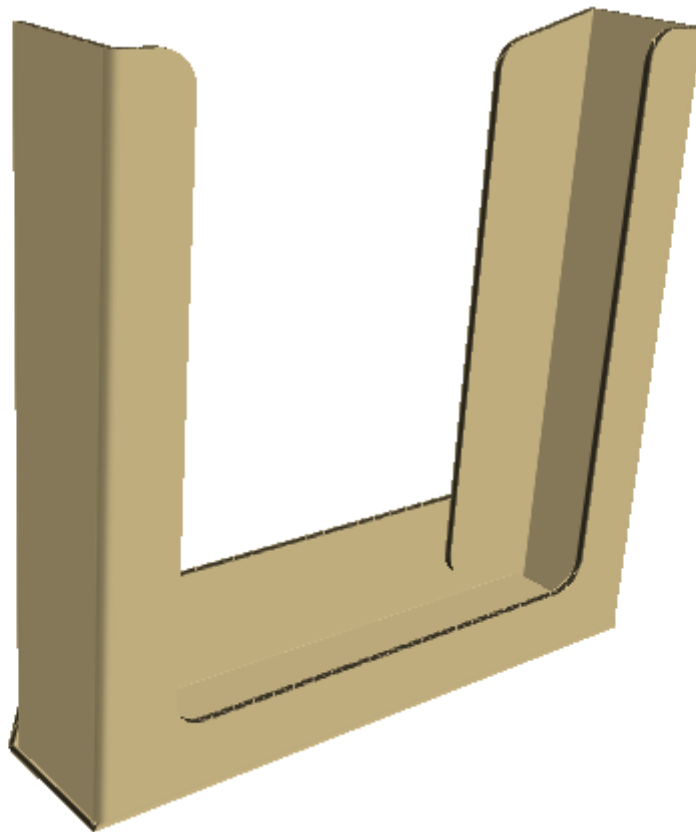
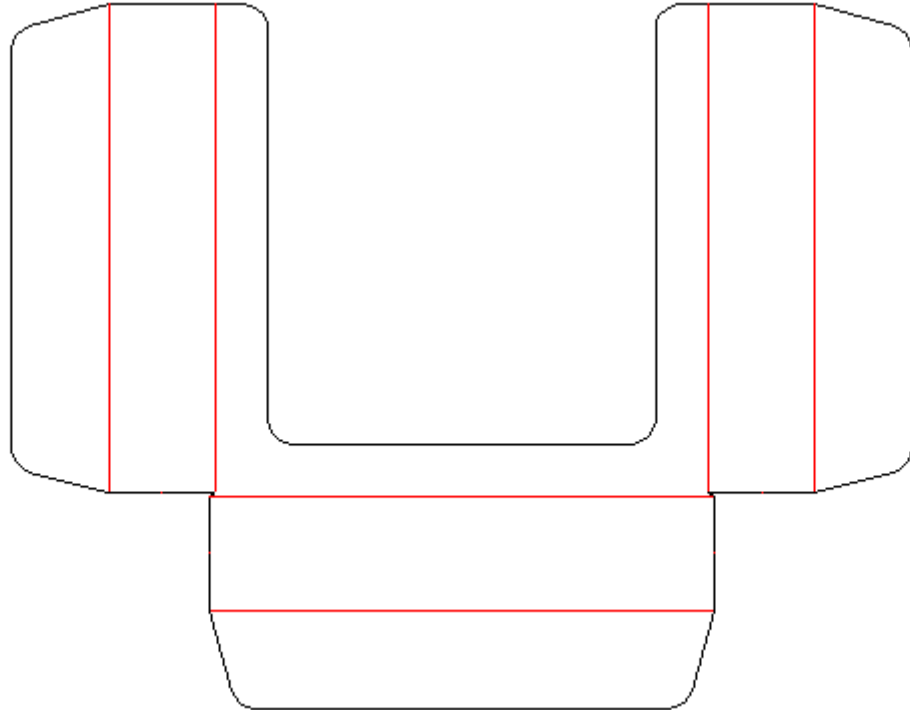
Countertop Display With Shelves



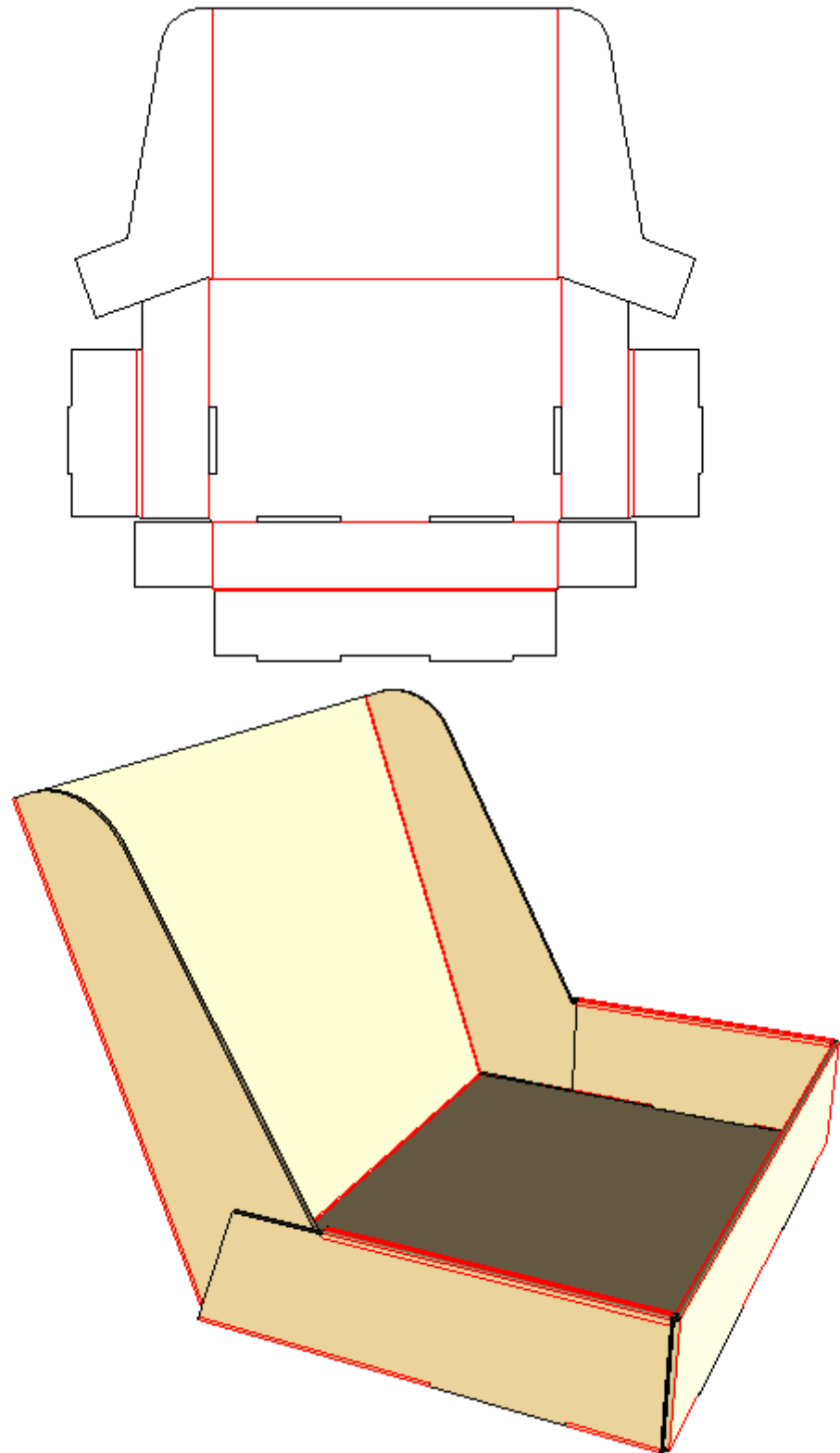
One Piece Countertop Display



Straight Card Holder

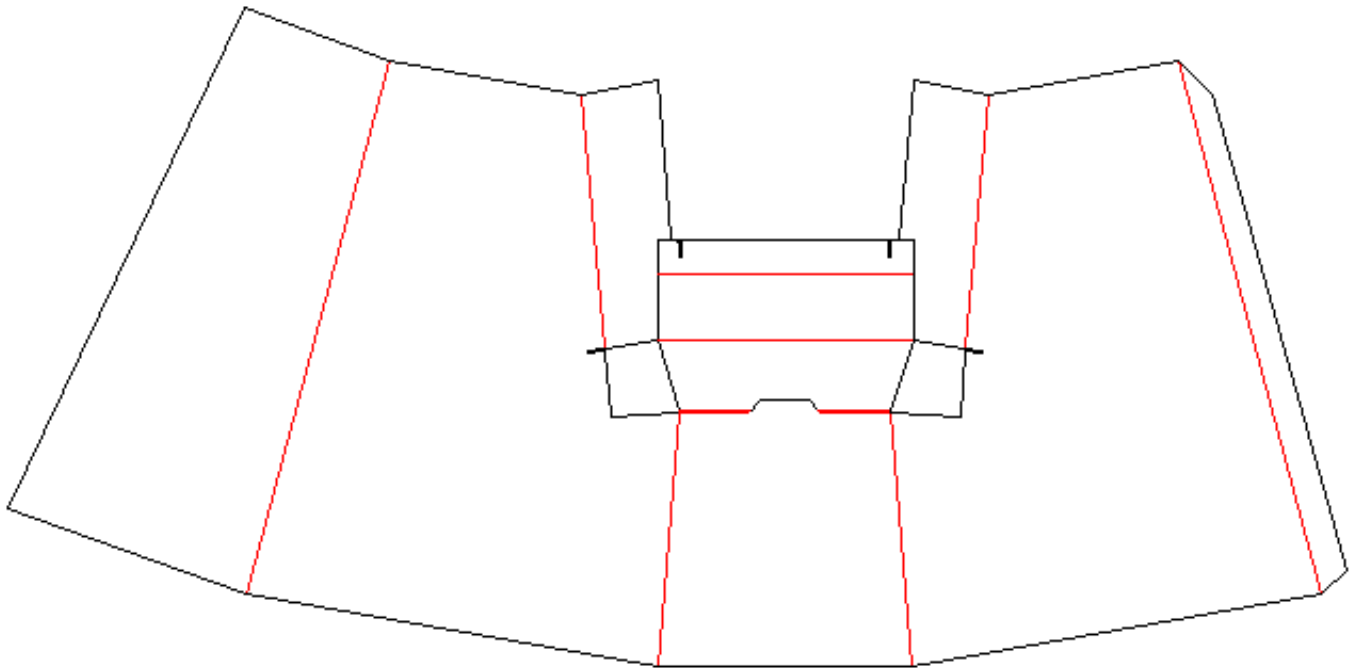


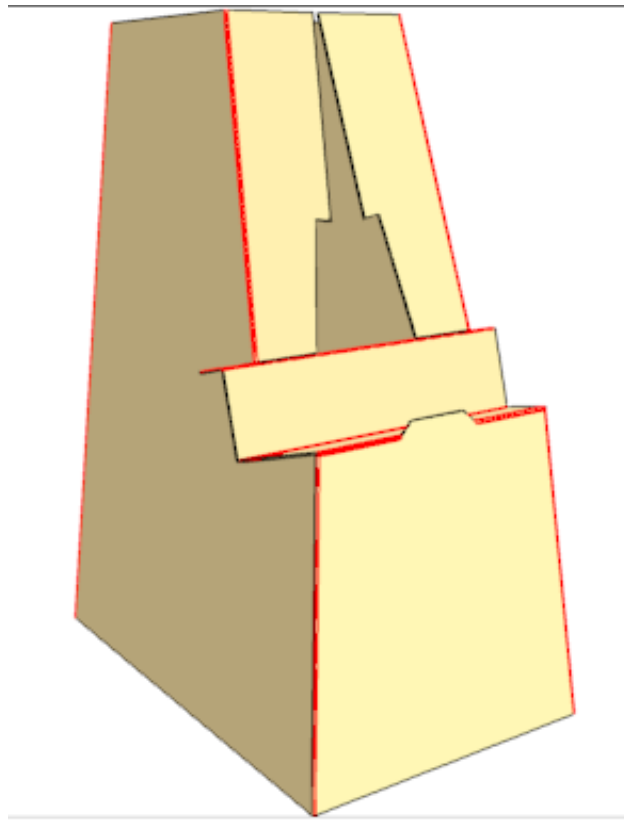
Tray With Header



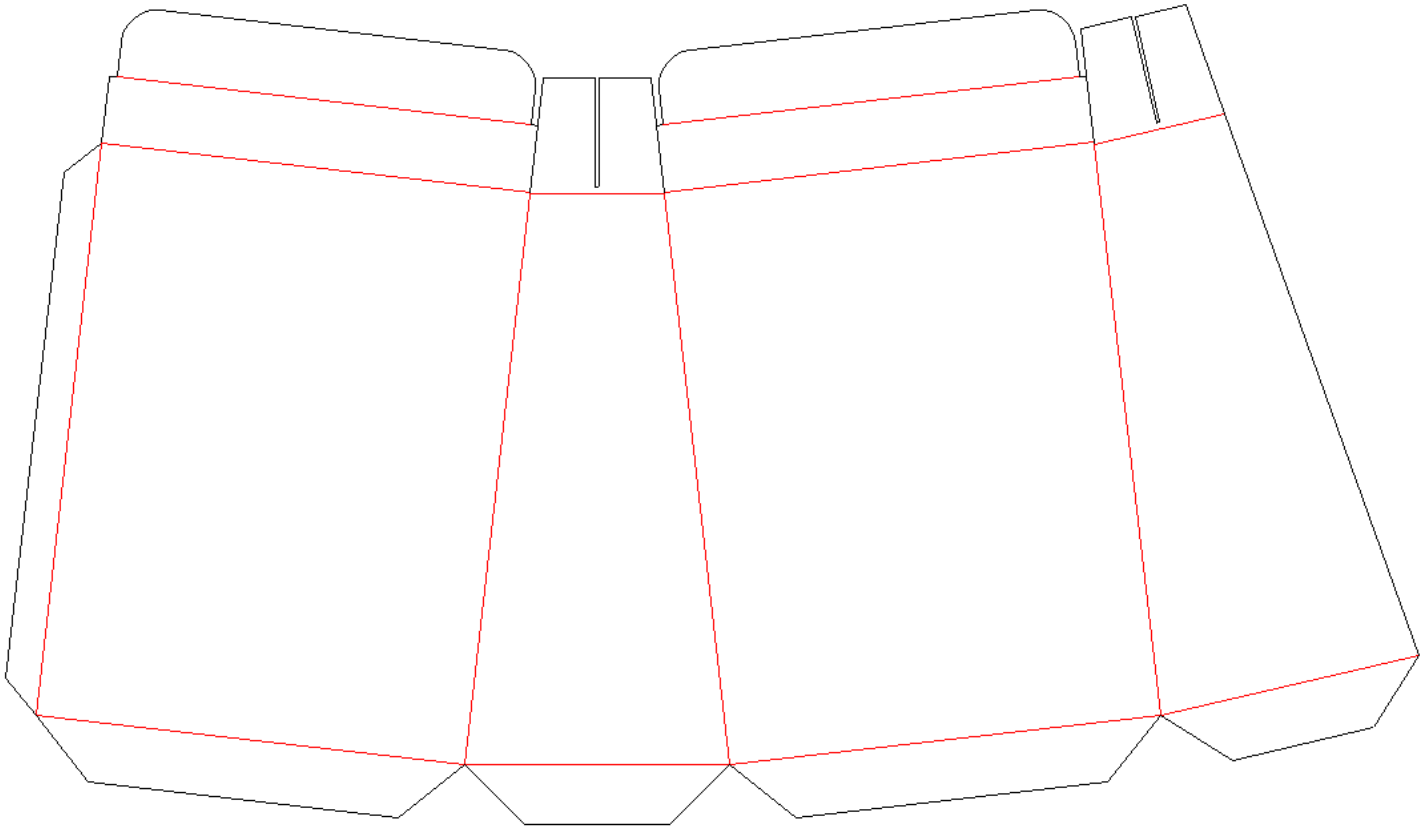
Display bases

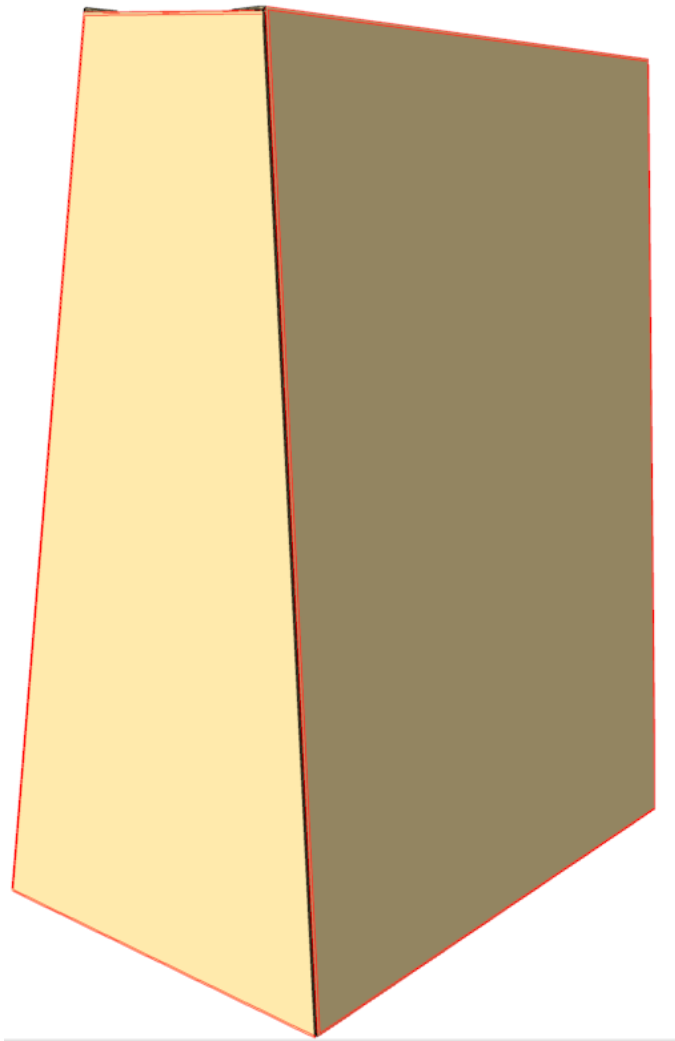
All side slope base



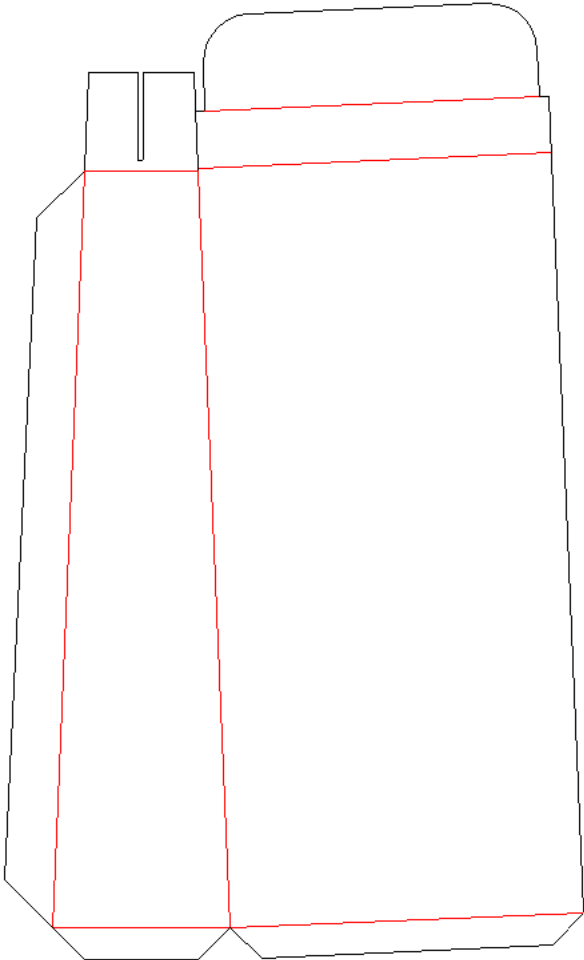


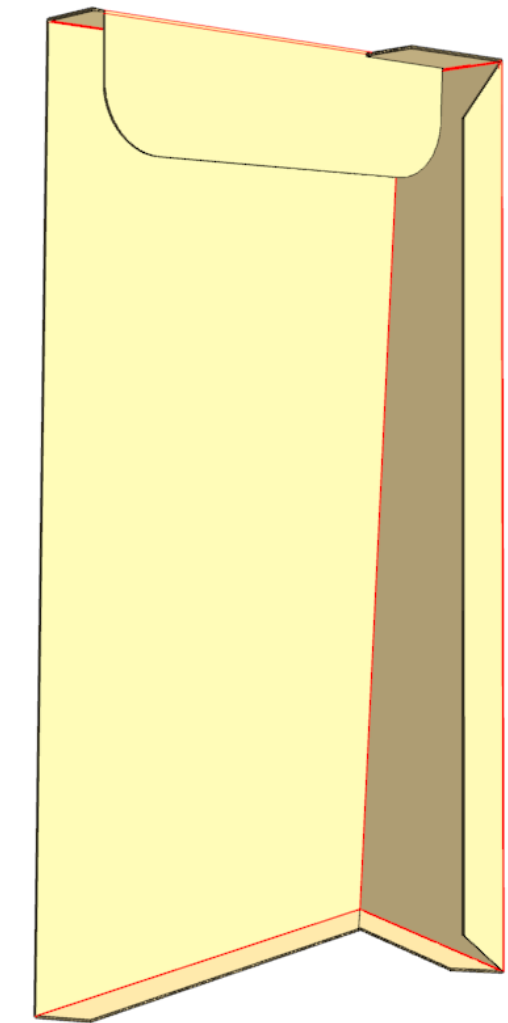
Angle Base End Joint



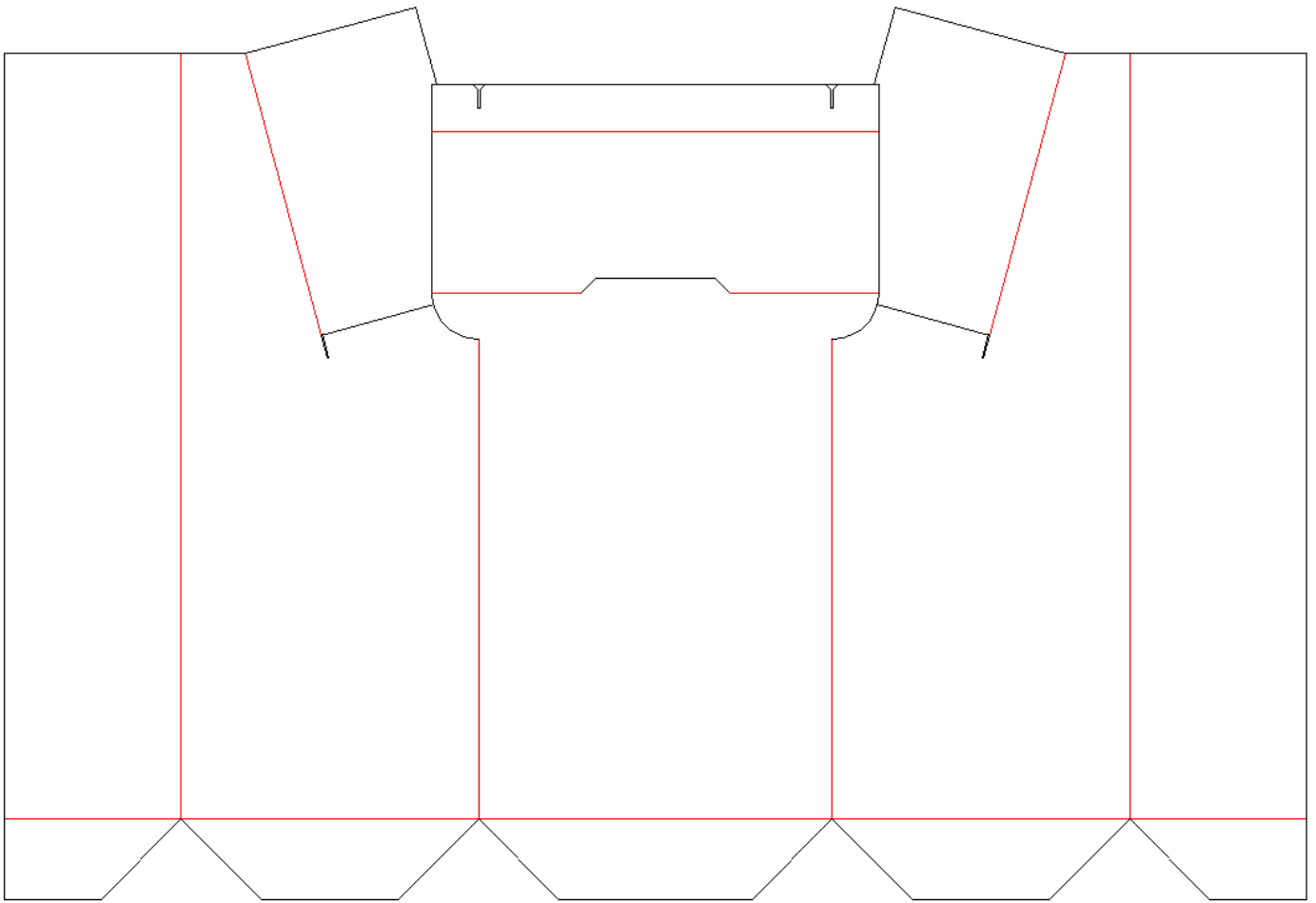


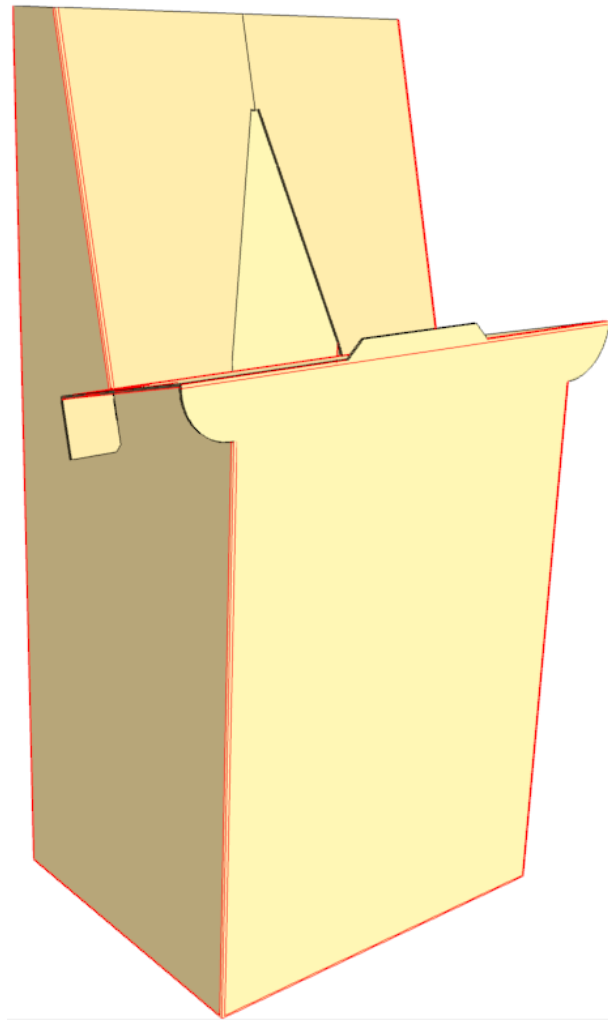
Angle Base Half Base



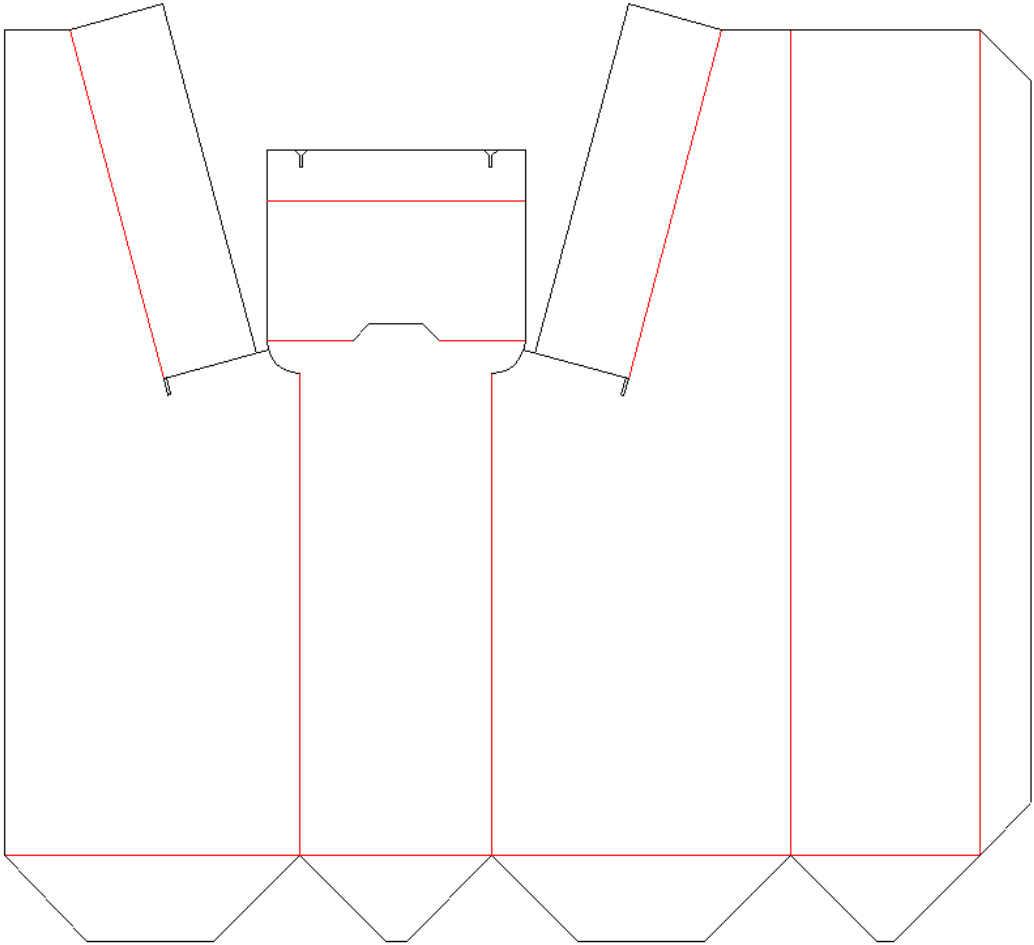


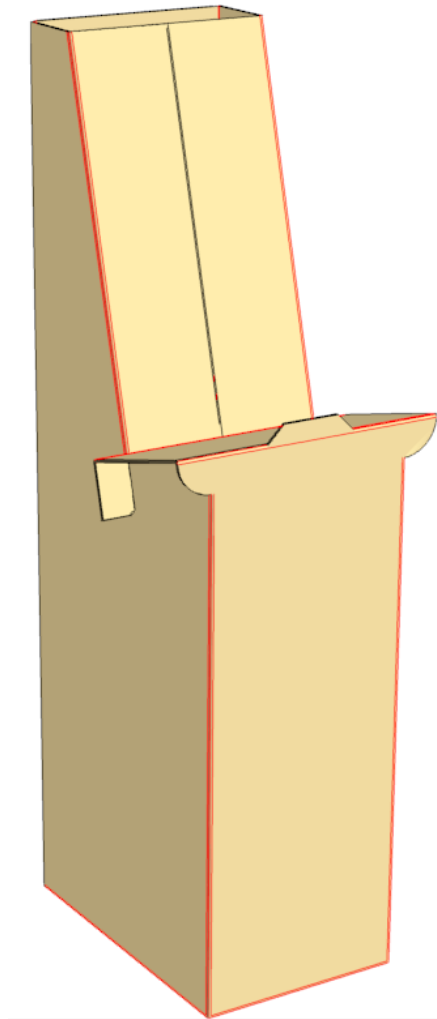
Display Base2- Center Joint Flg1



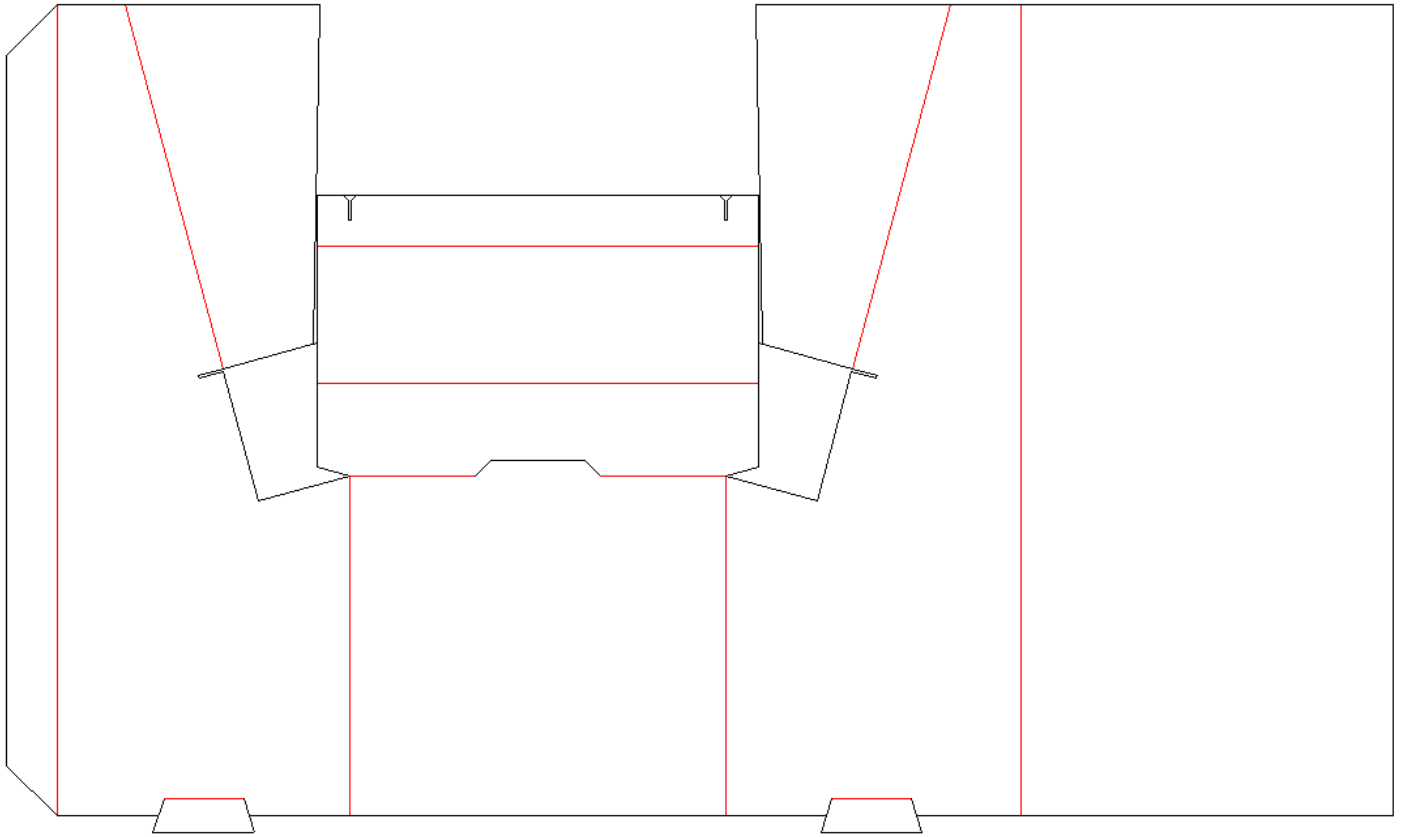


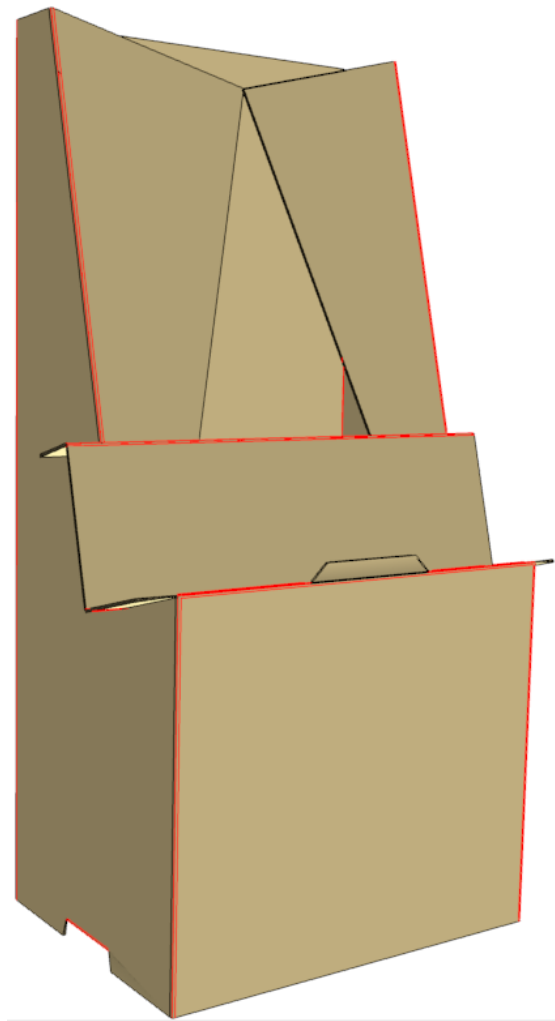
Display Base 2-End Joint Flg



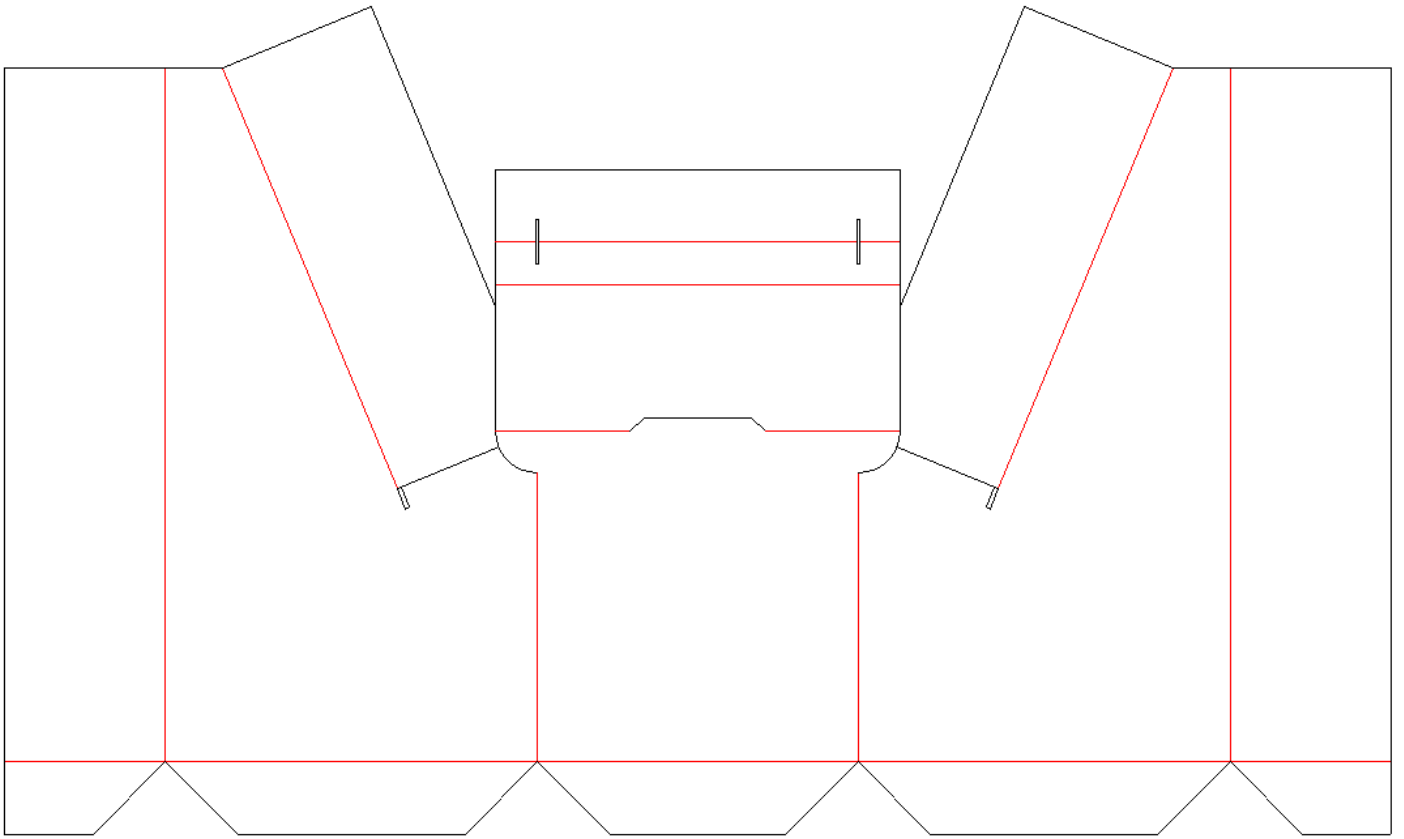


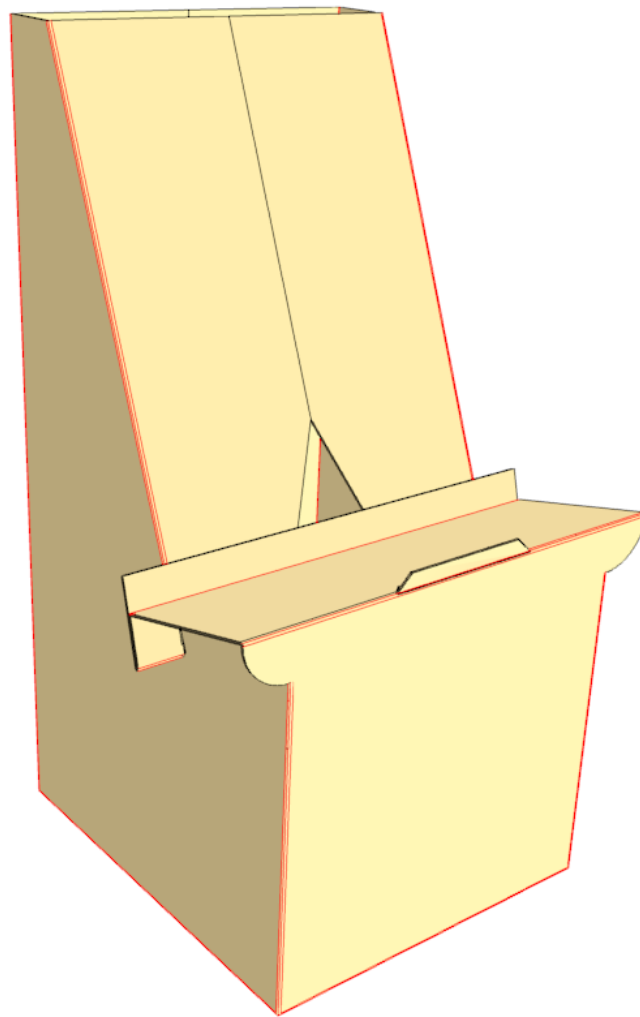
Display Base 3-End Joint



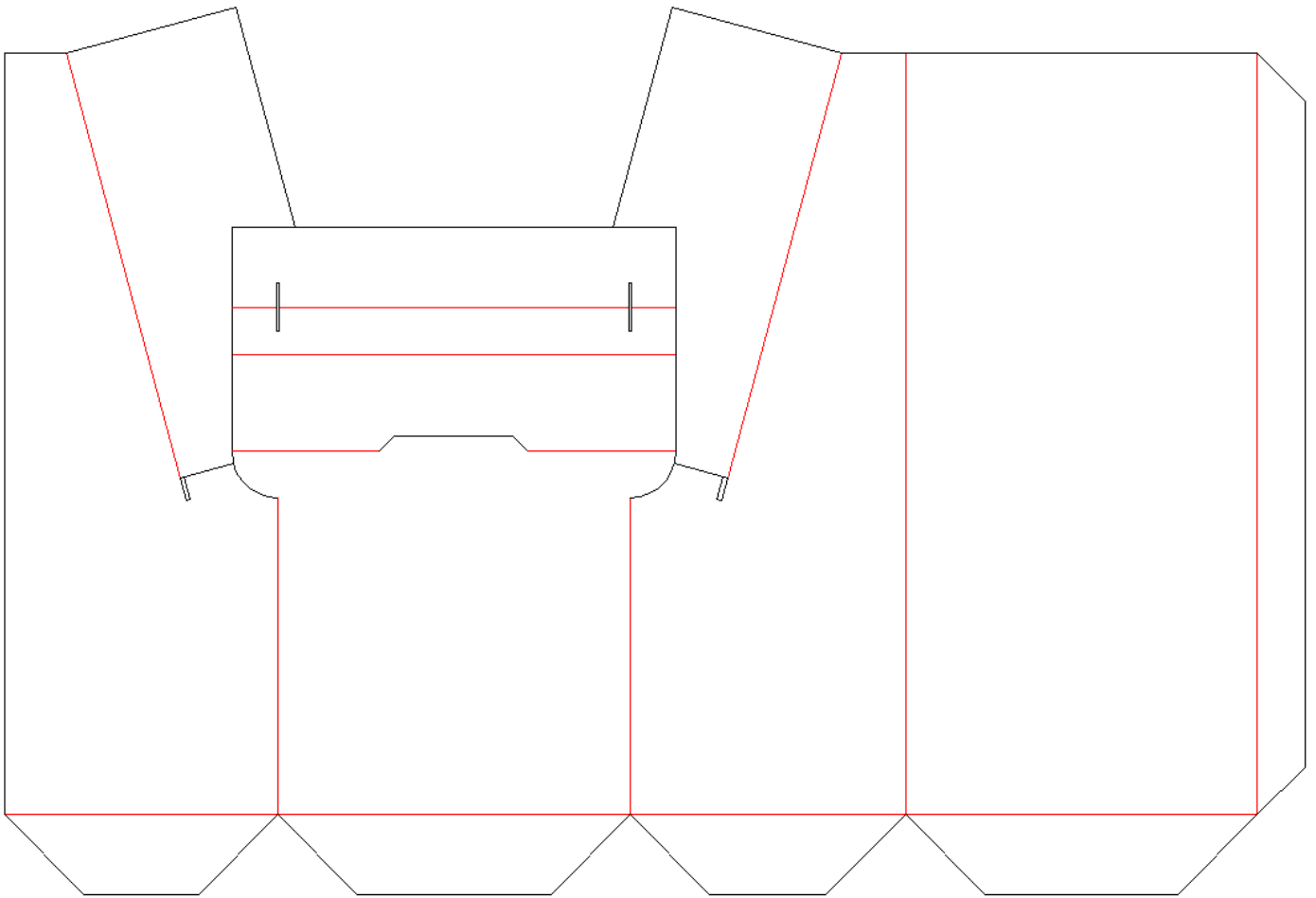


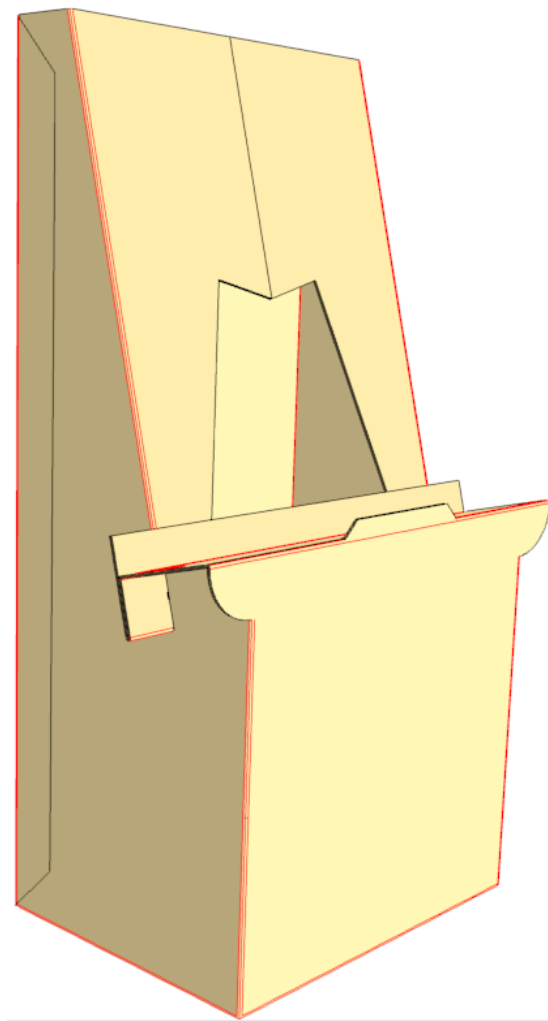
Display Base-Center Joint



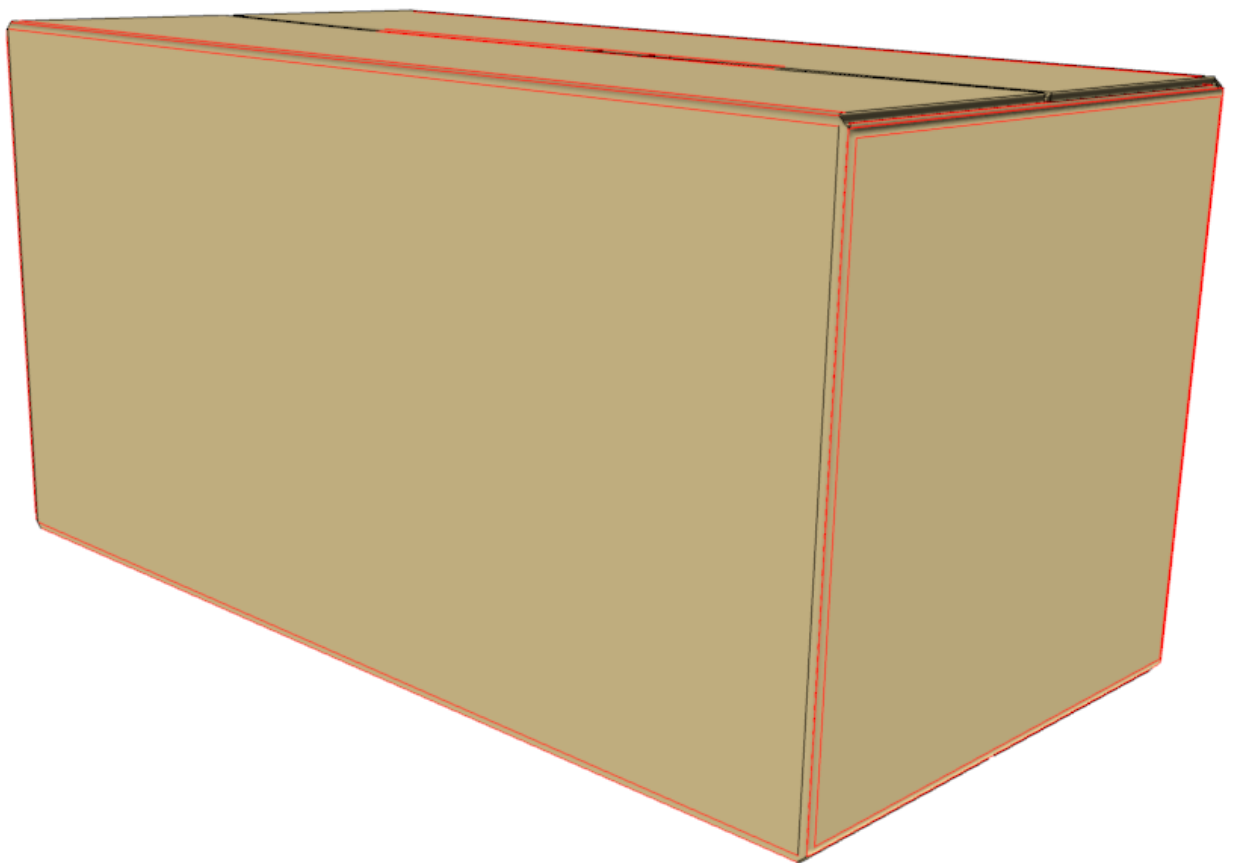
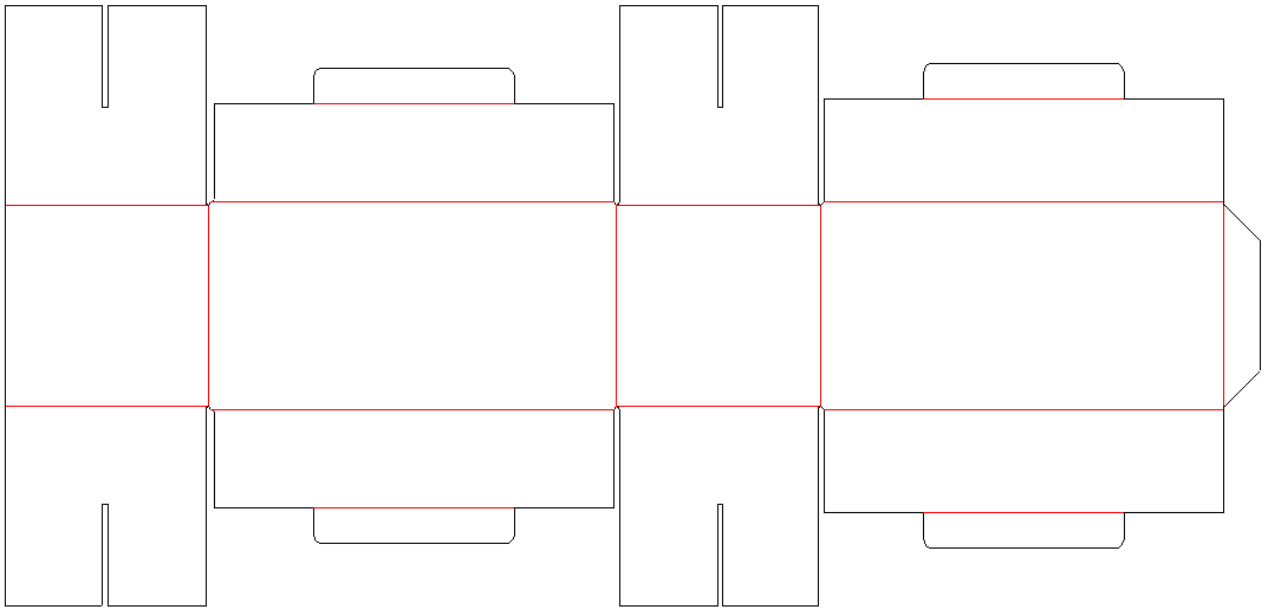


Display Base-End Joint1

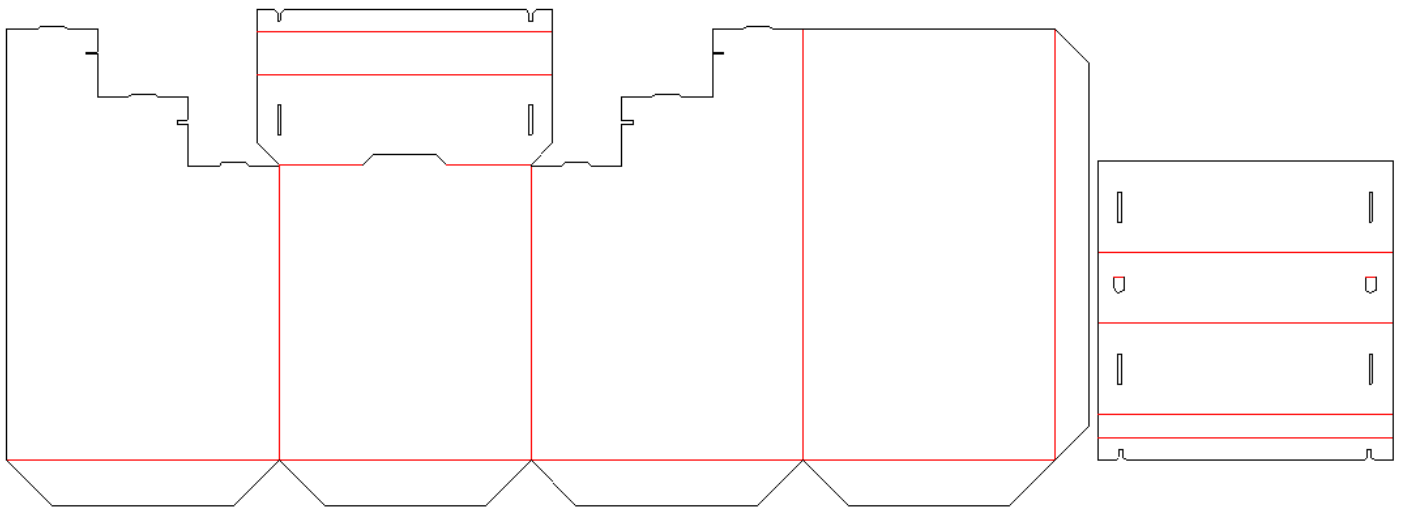


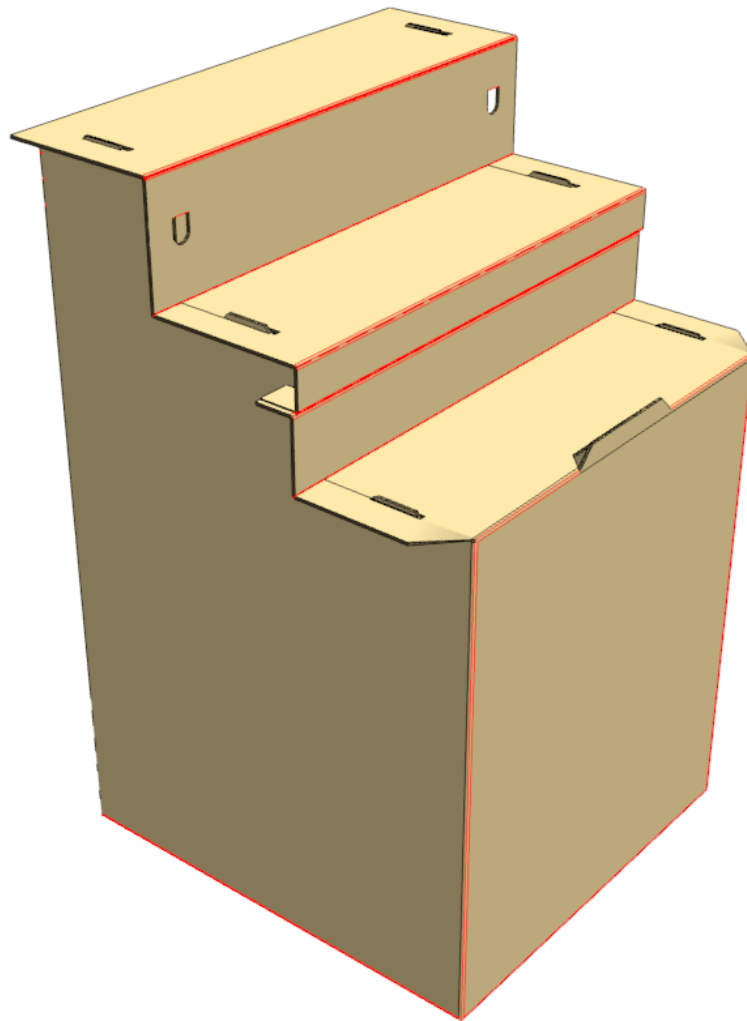


Pallet Base



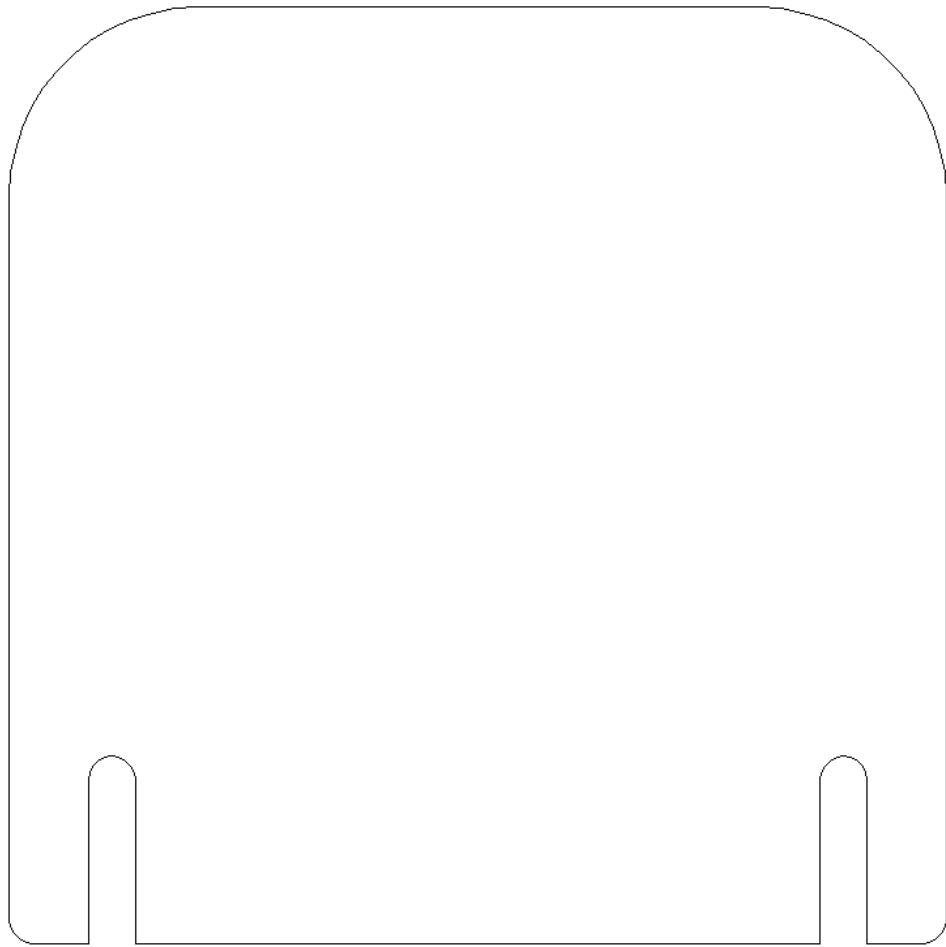
Step Base-End Joint-Flange

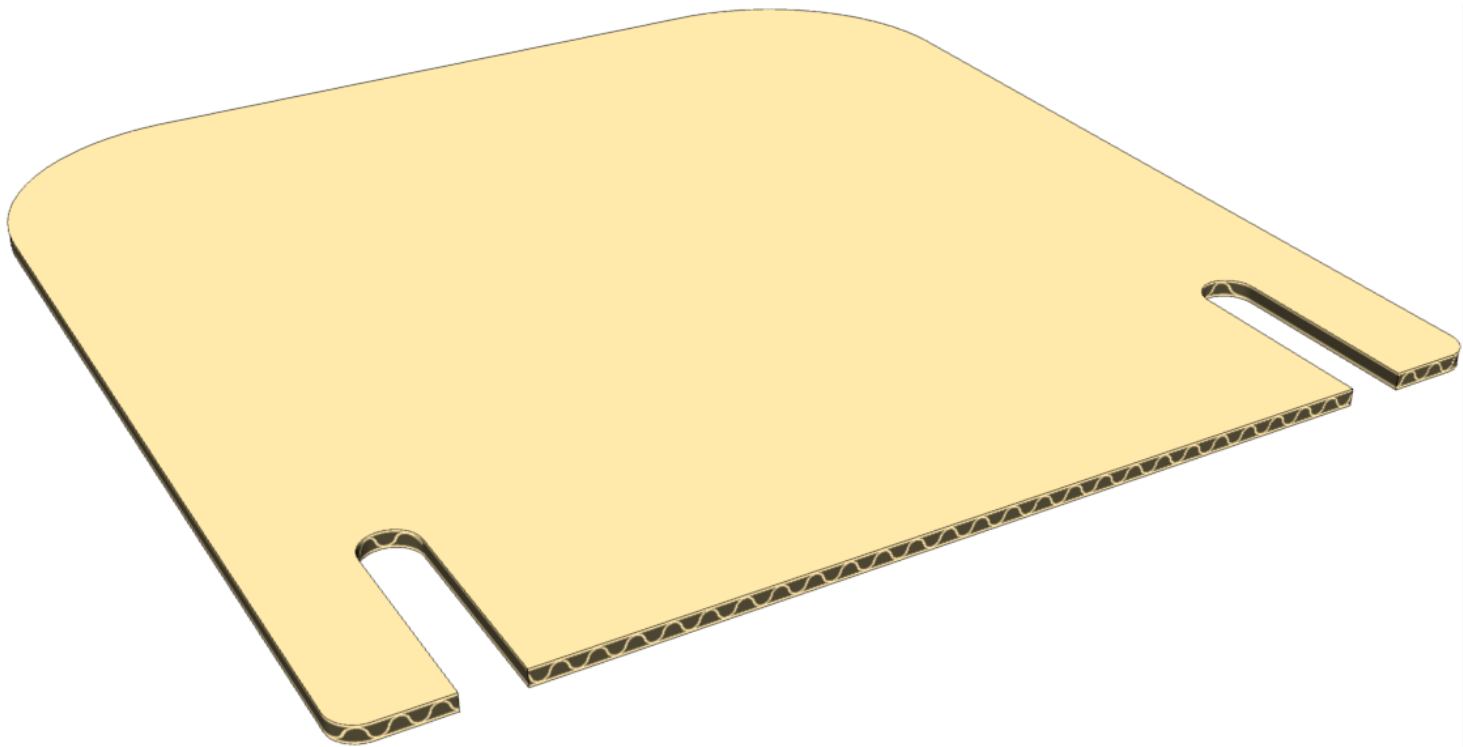




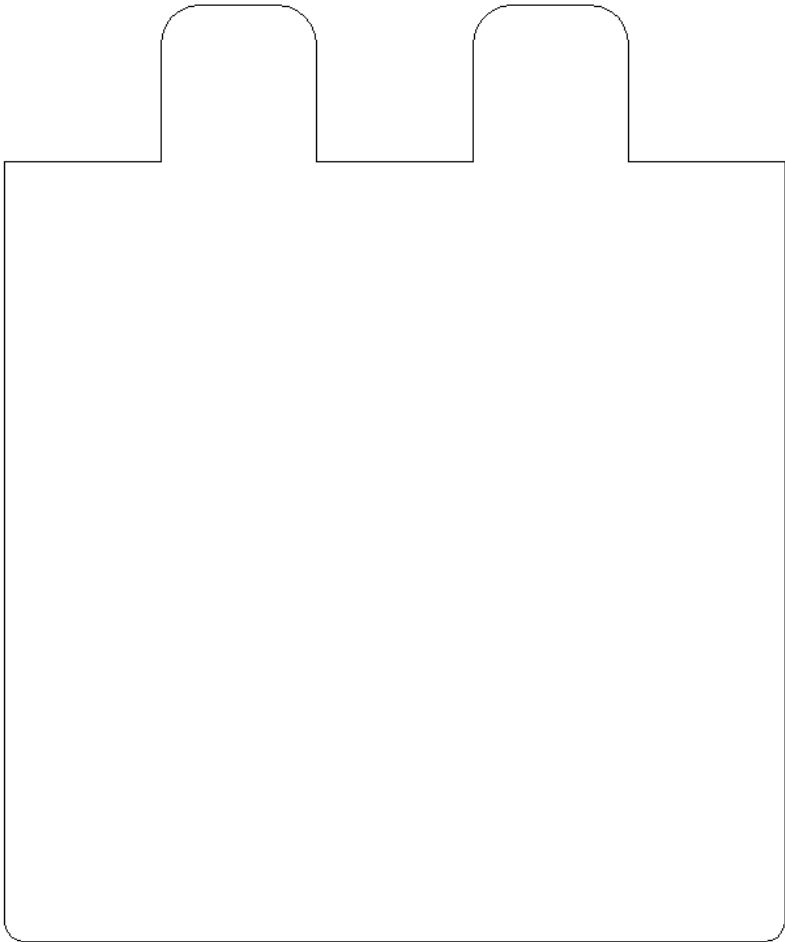
Display Headers

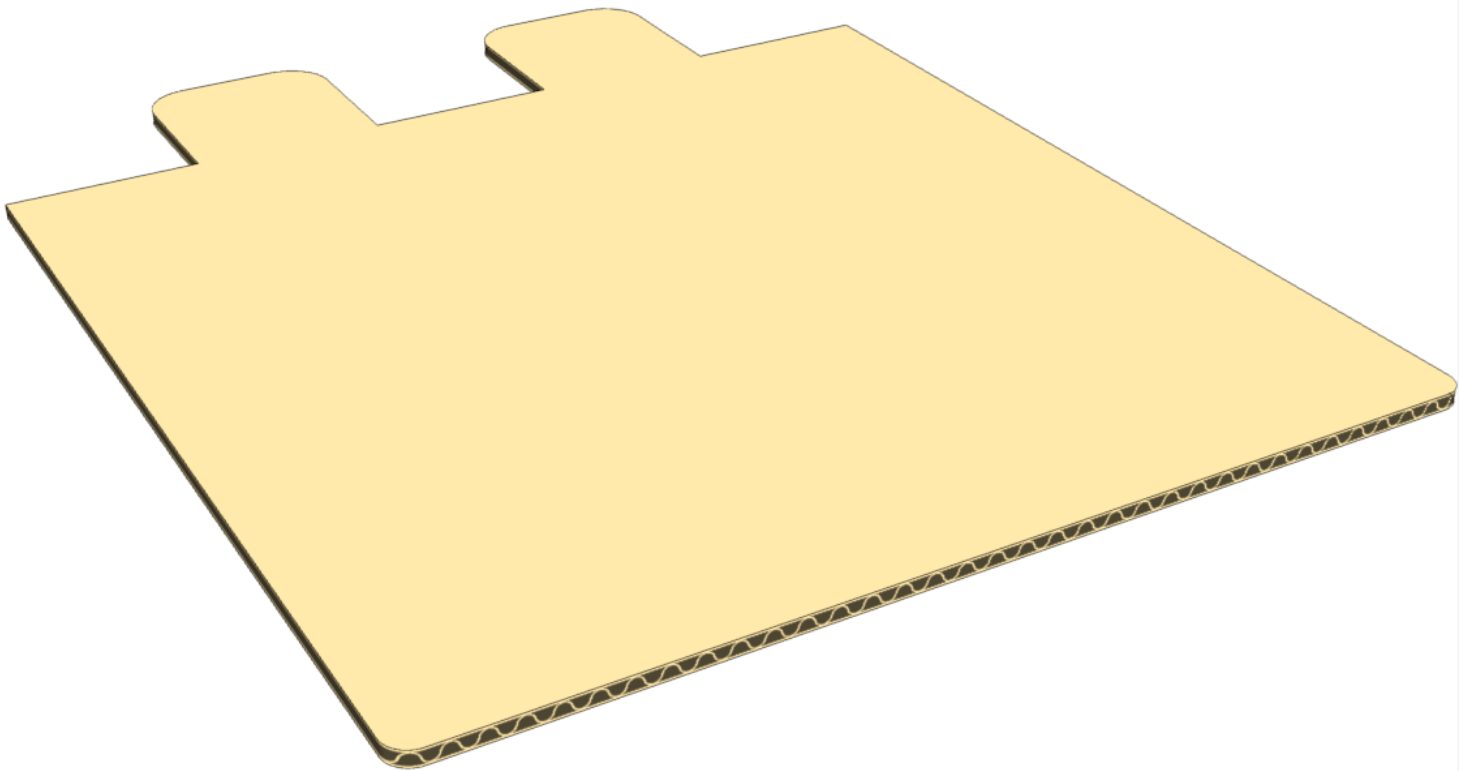
Counter Tray Header 2



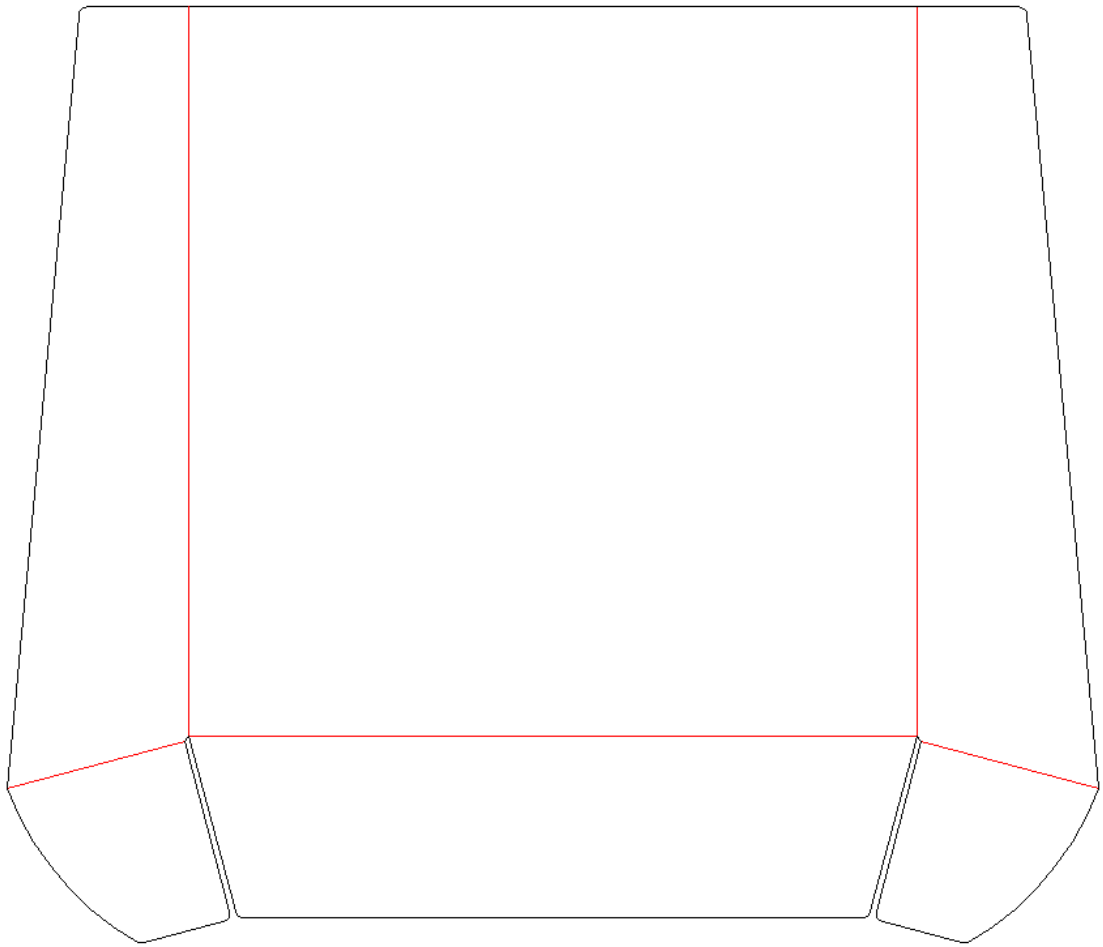


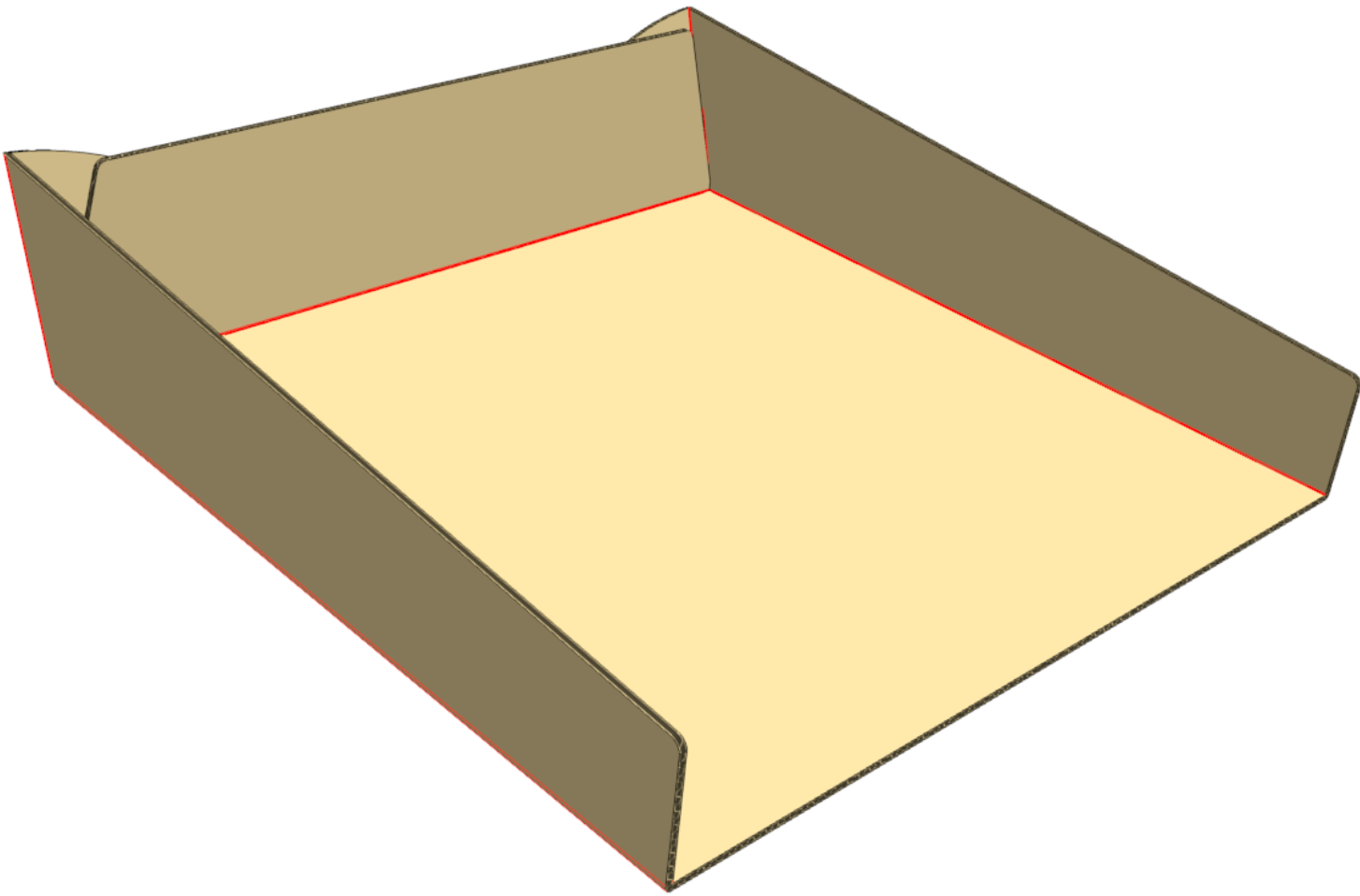
Counter Tray Header 4



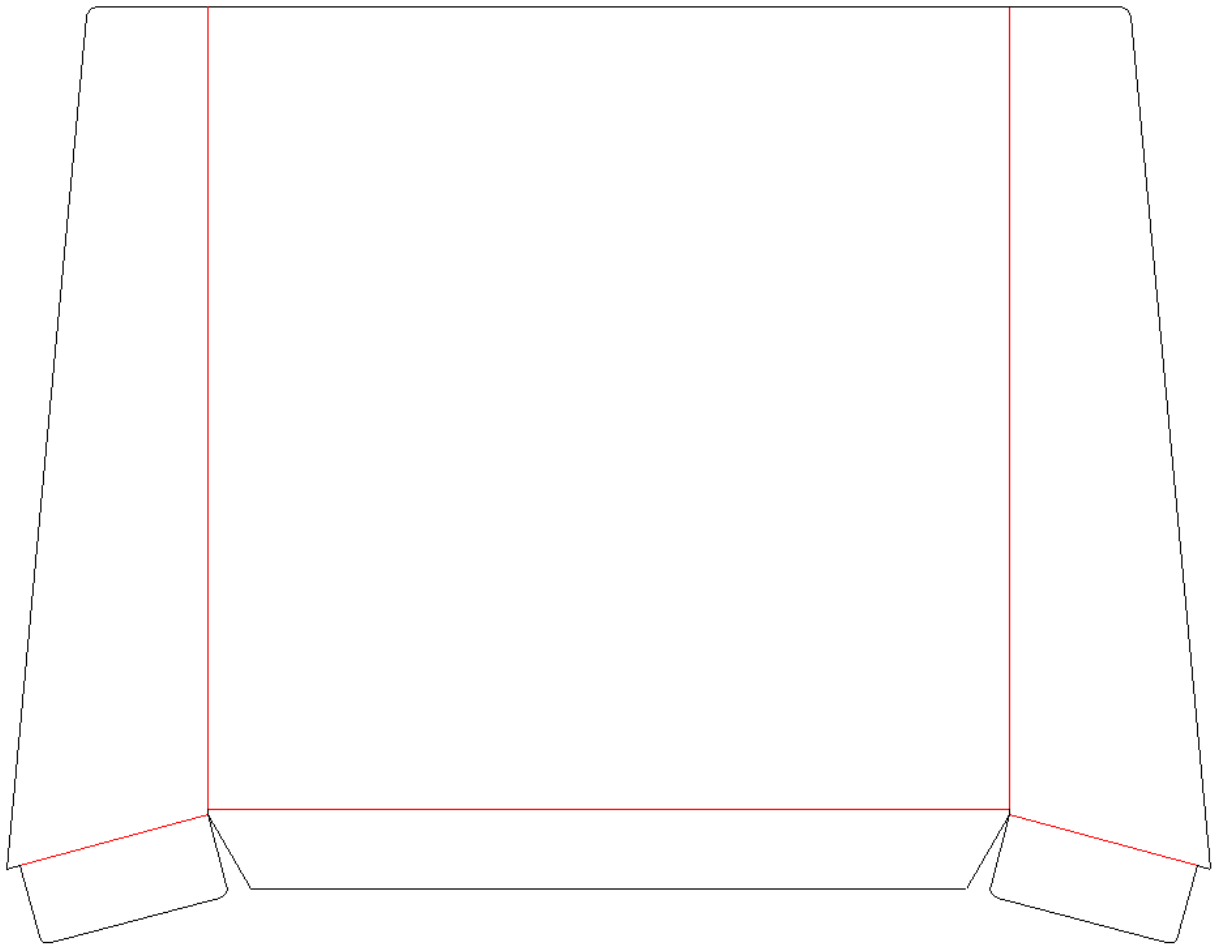


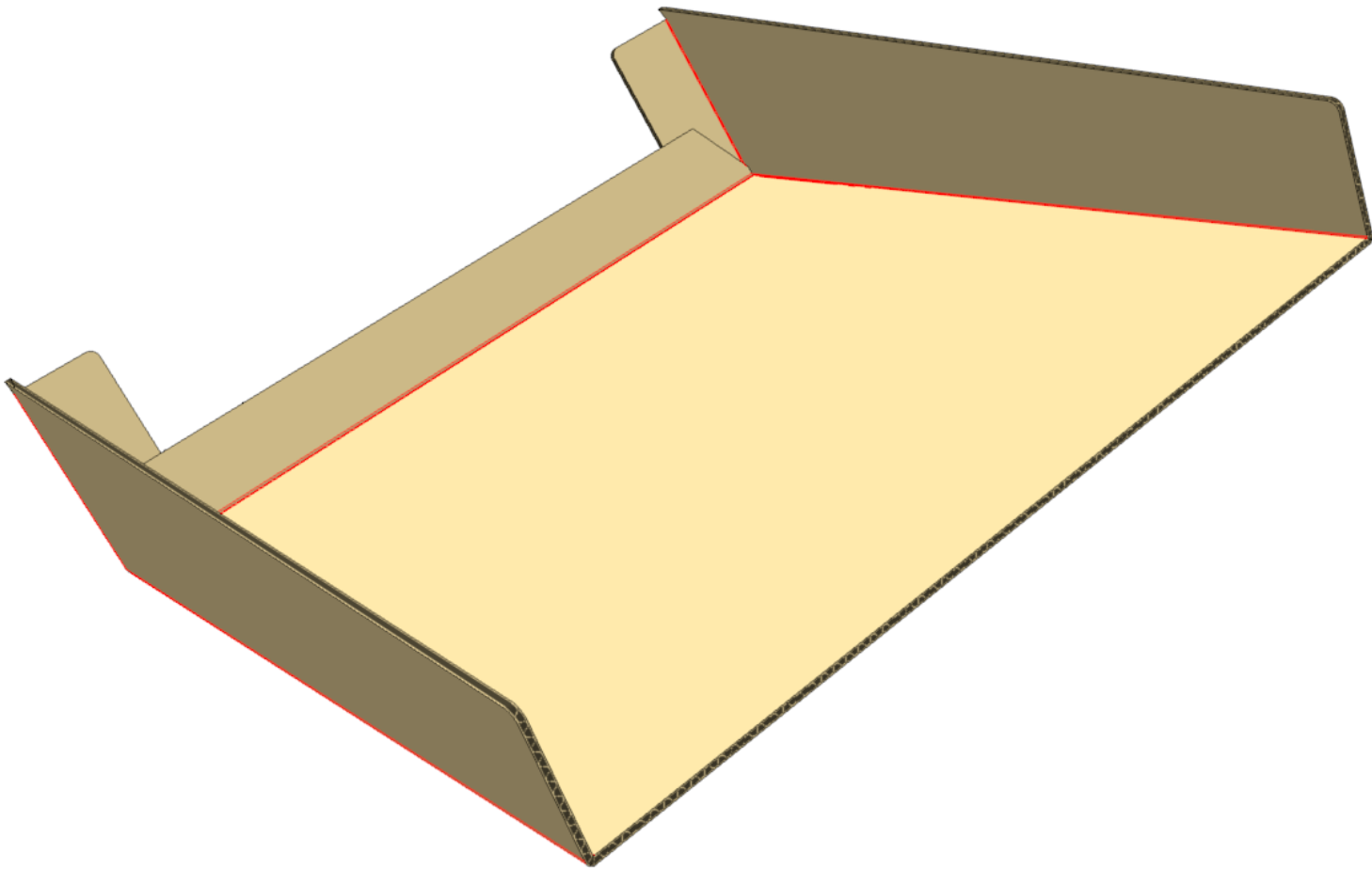
Display Tray Header





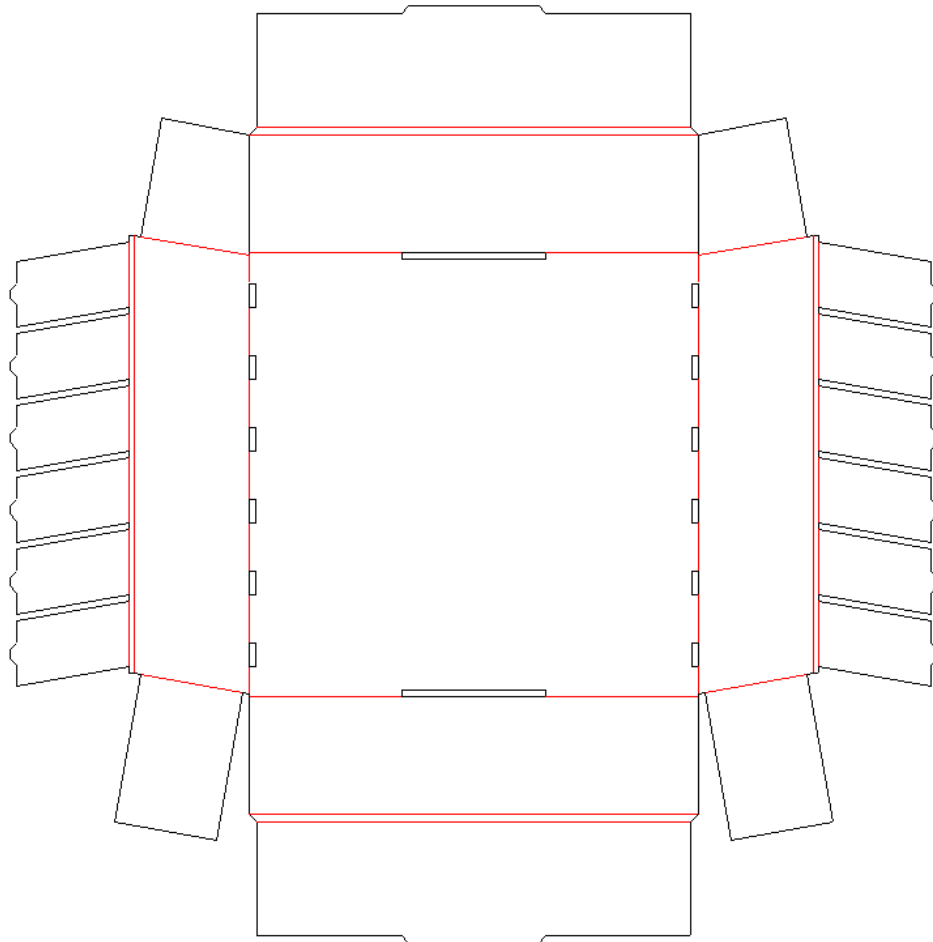
Display Tray Header 2

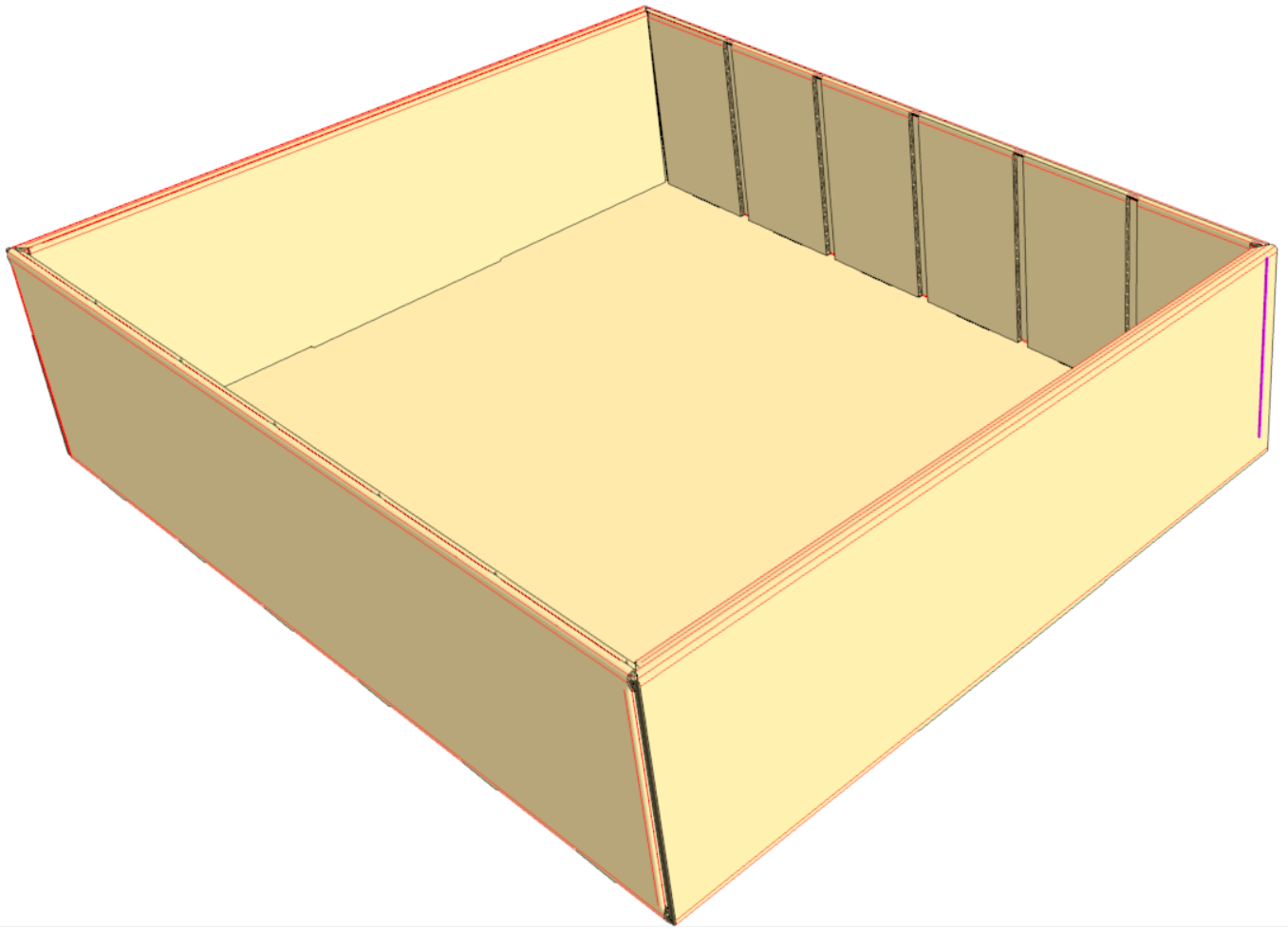




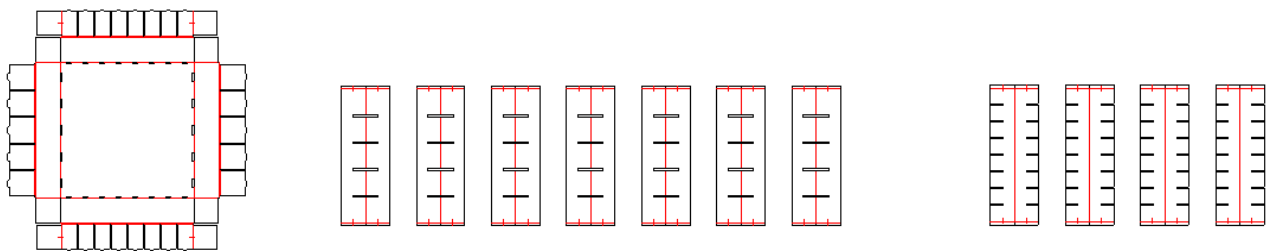
Display Trays

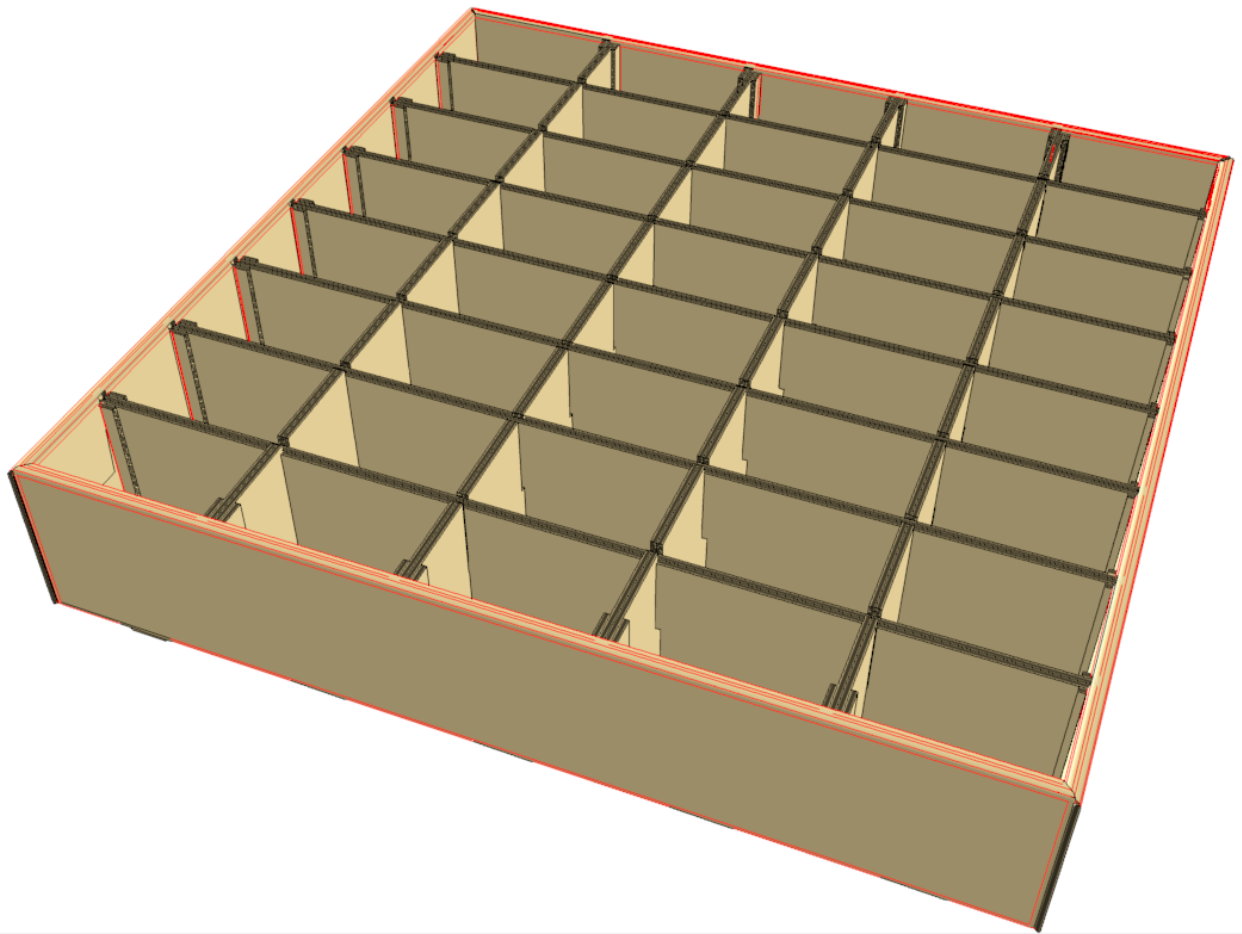
4 Cell Power Wing Tray



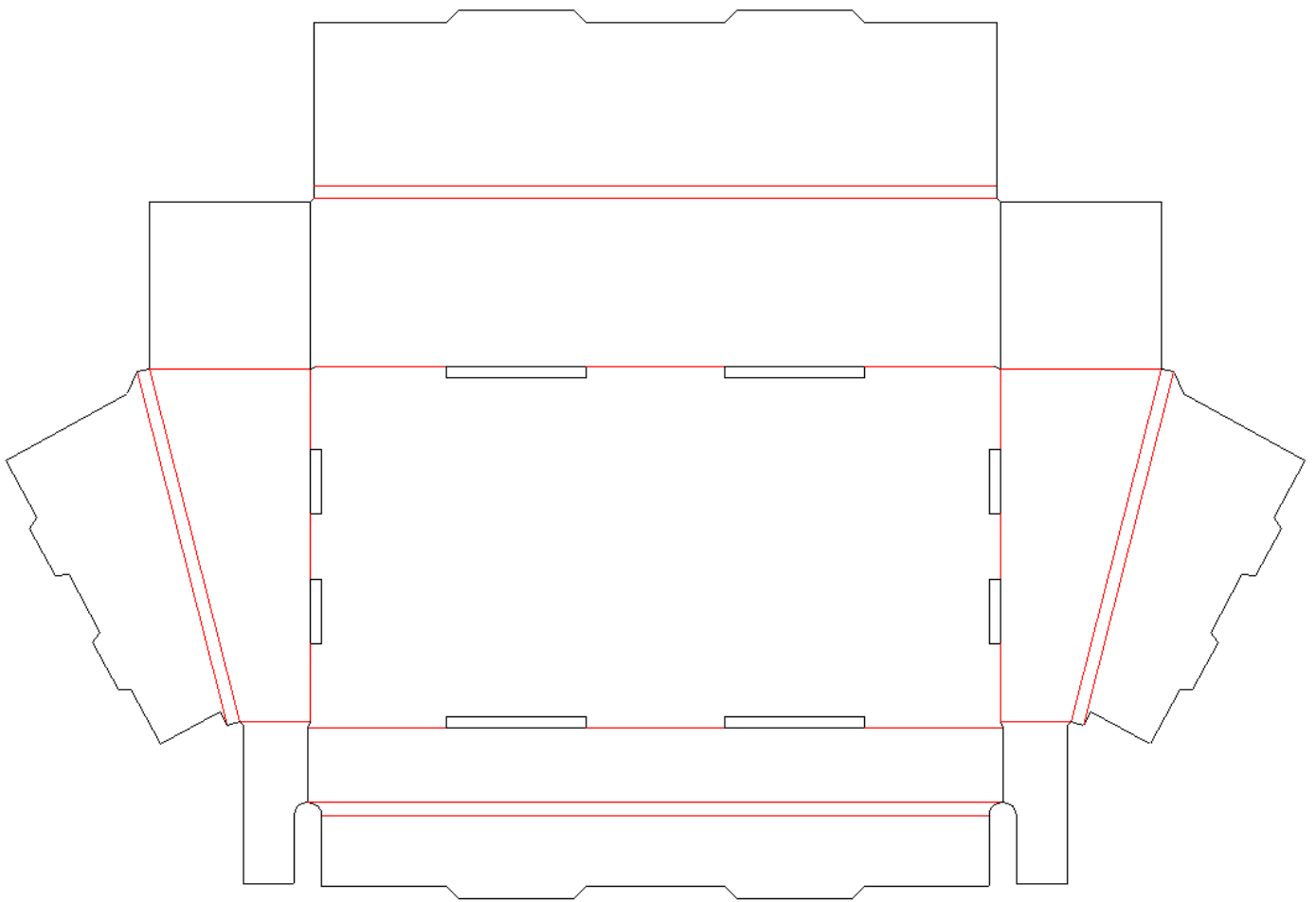


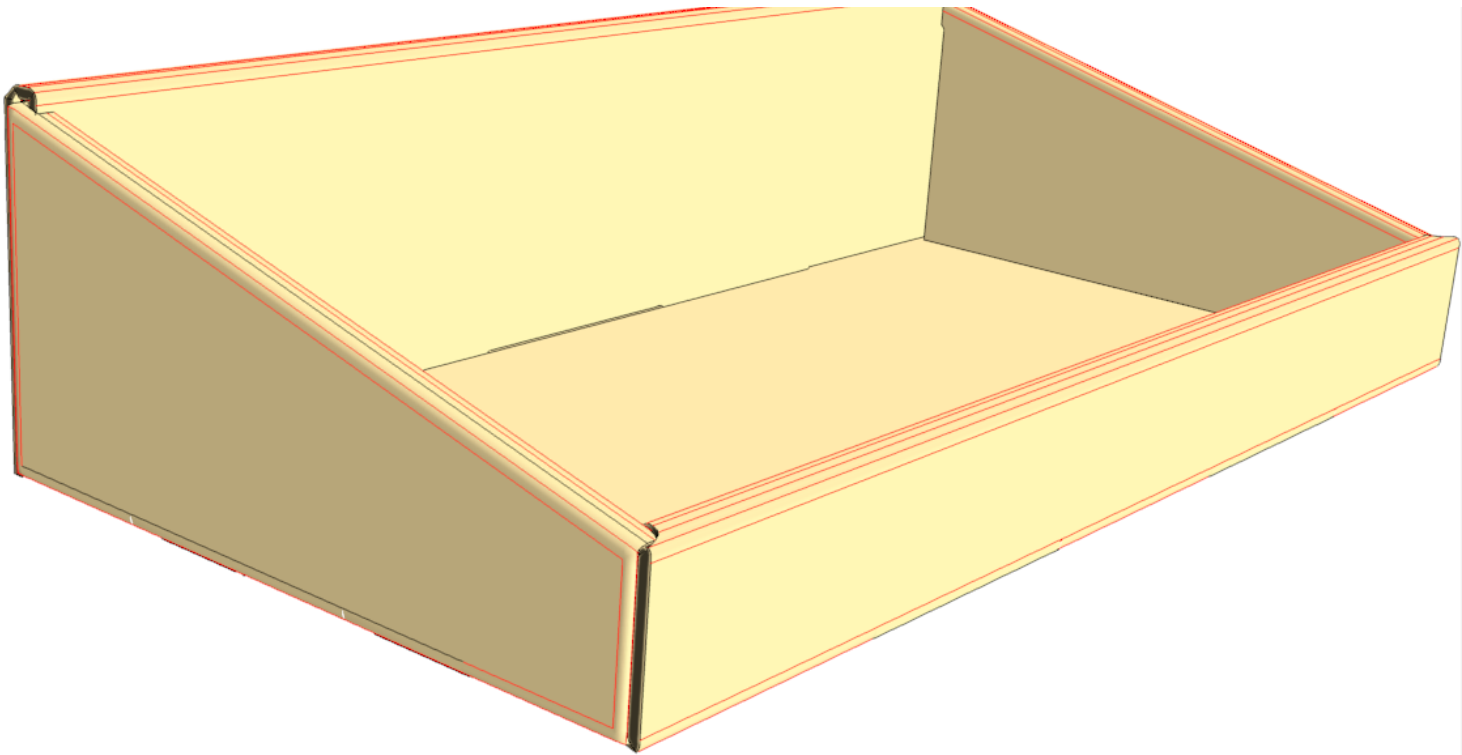
Display Tray With Dividers



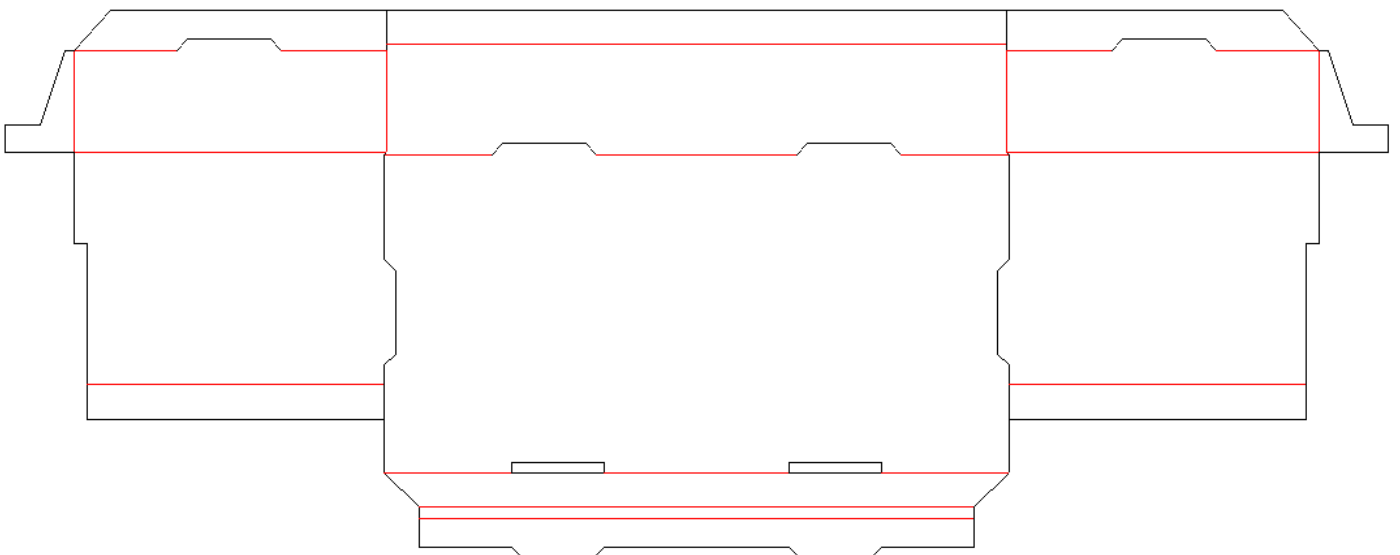


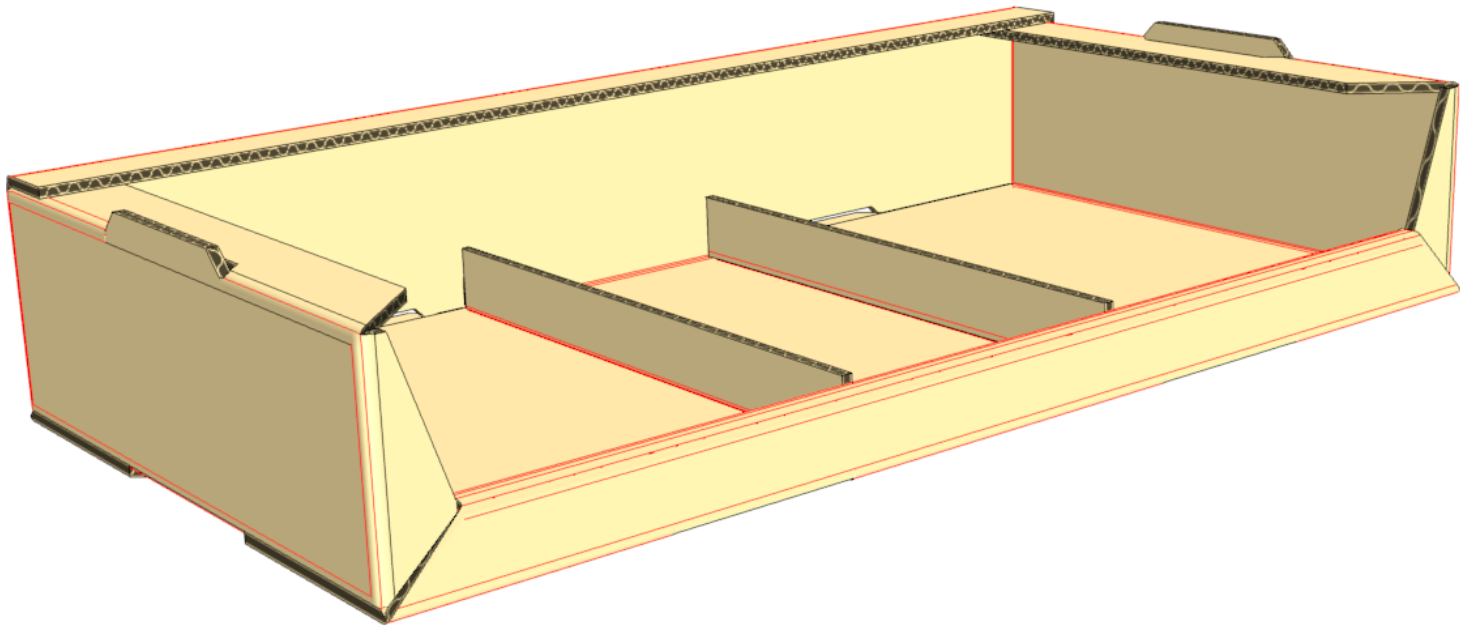
Self Ship Double Back



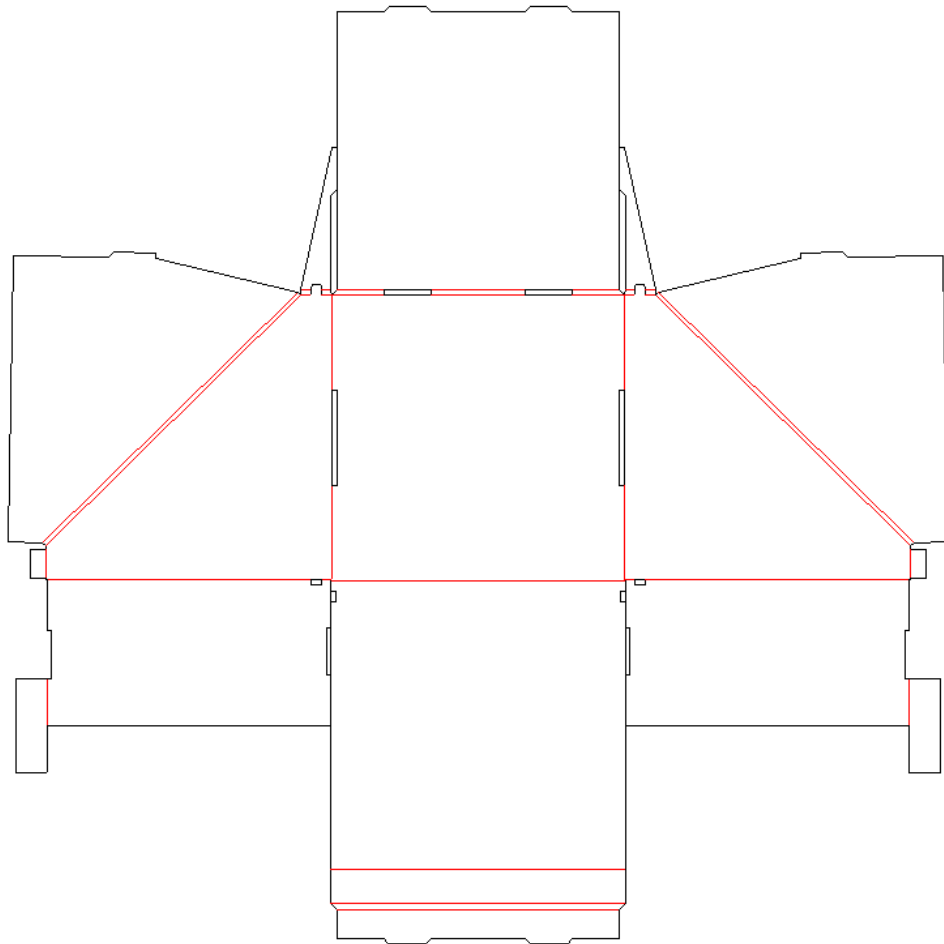


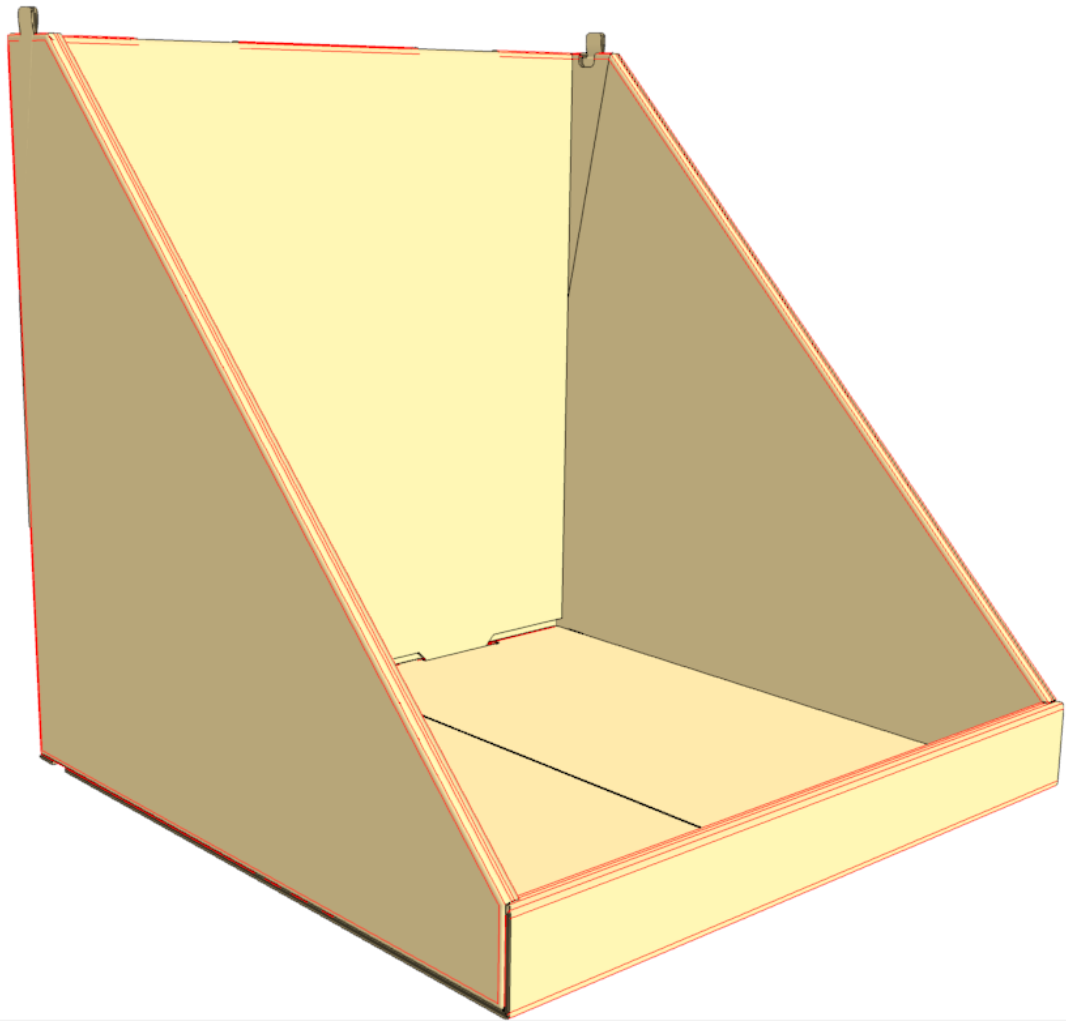
Shelf Displayer1



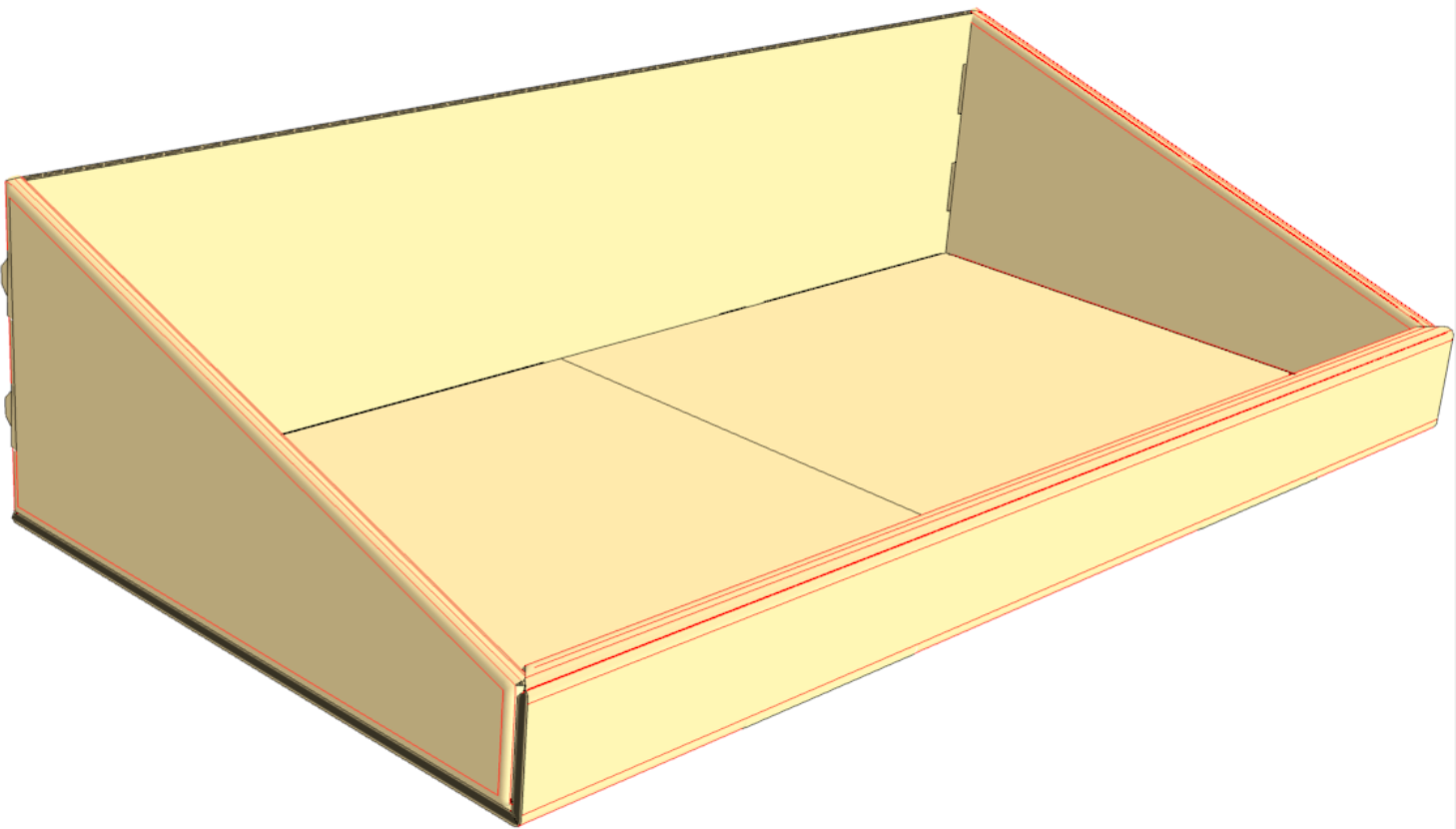
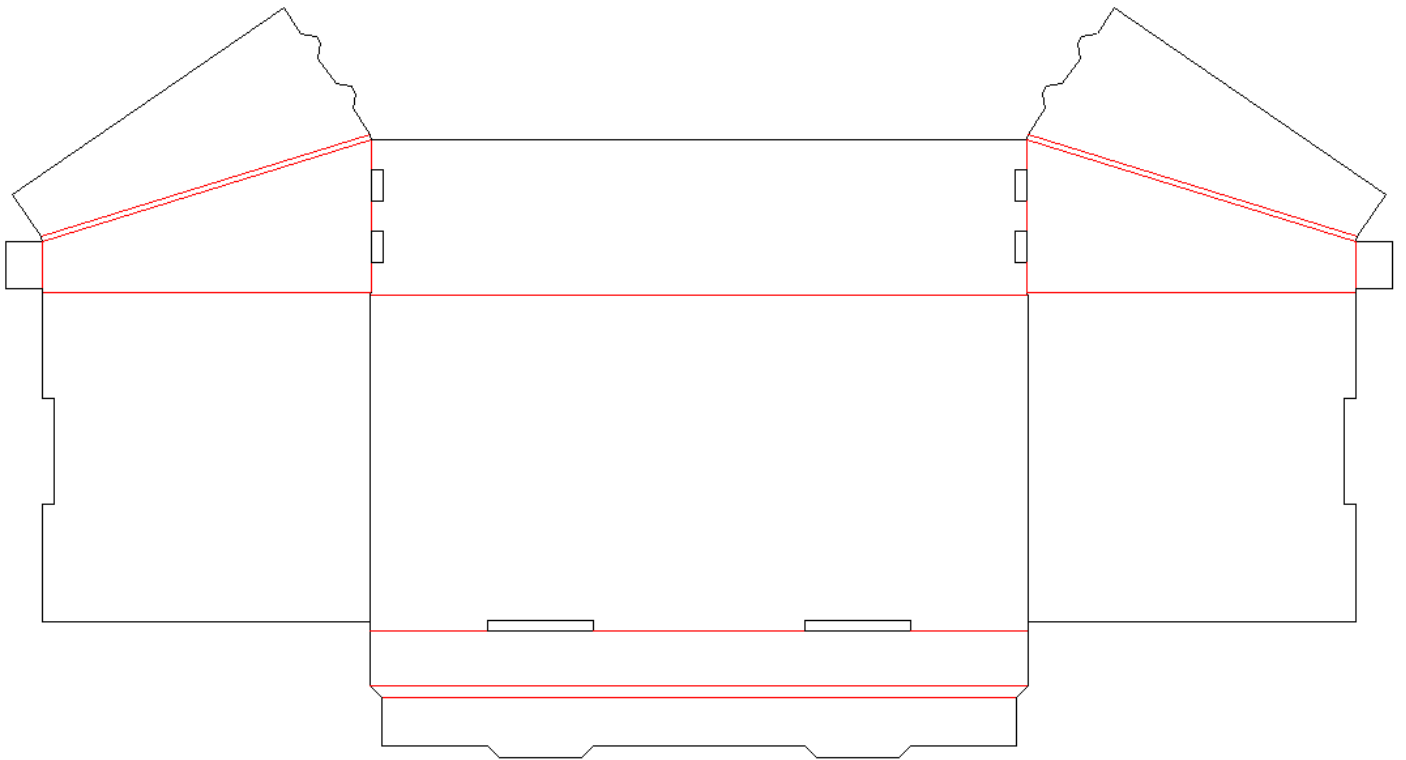


Slope Stack Side

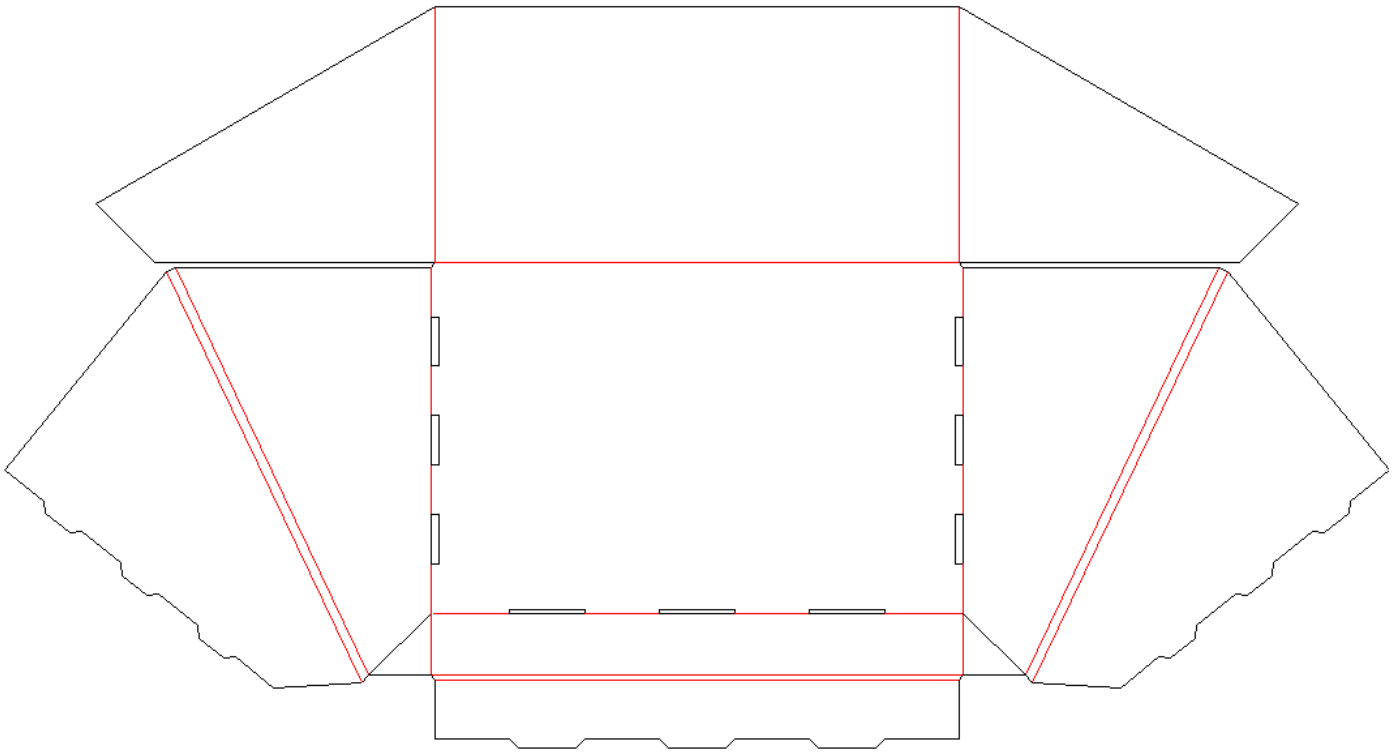


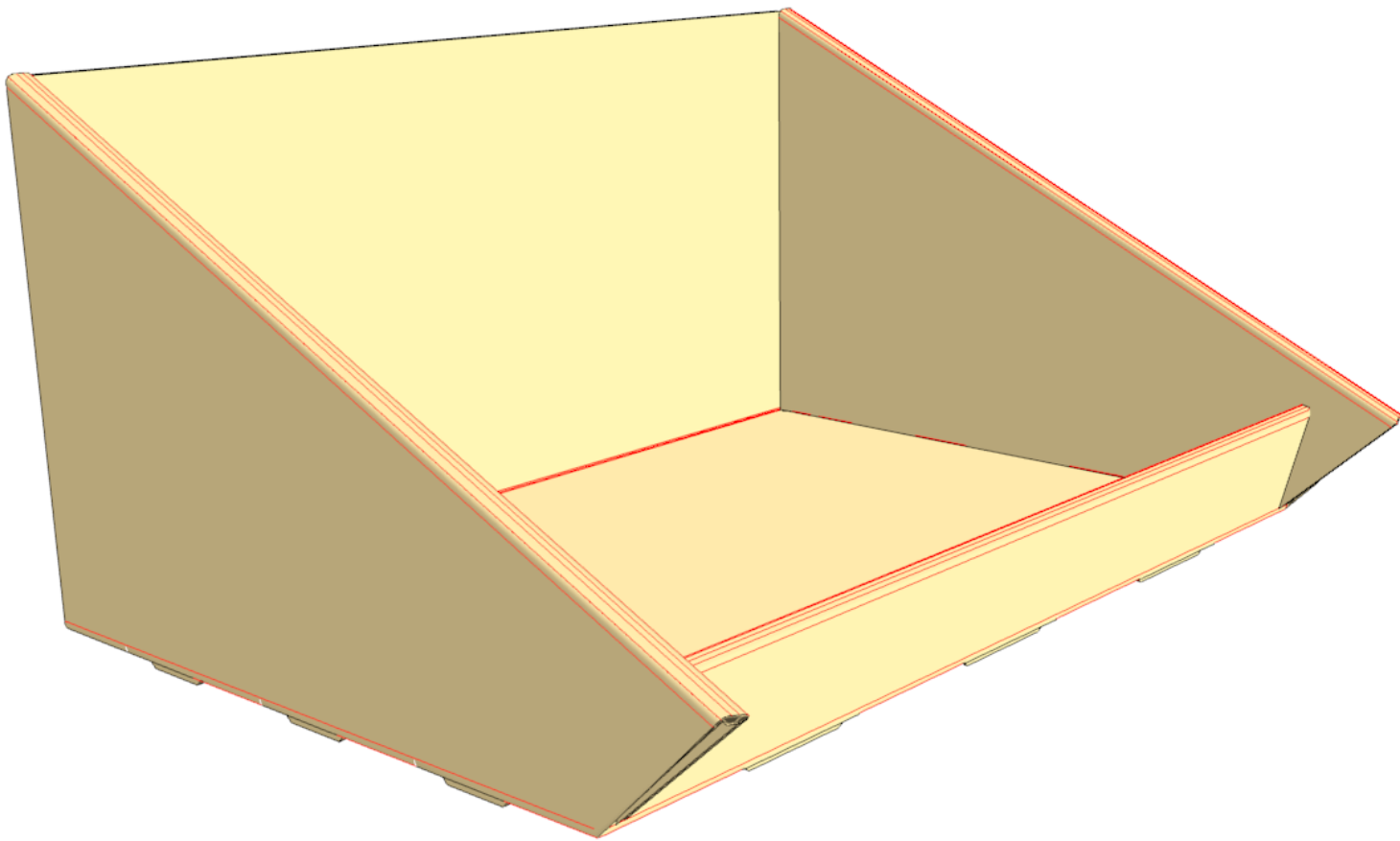


SS DBL BTM

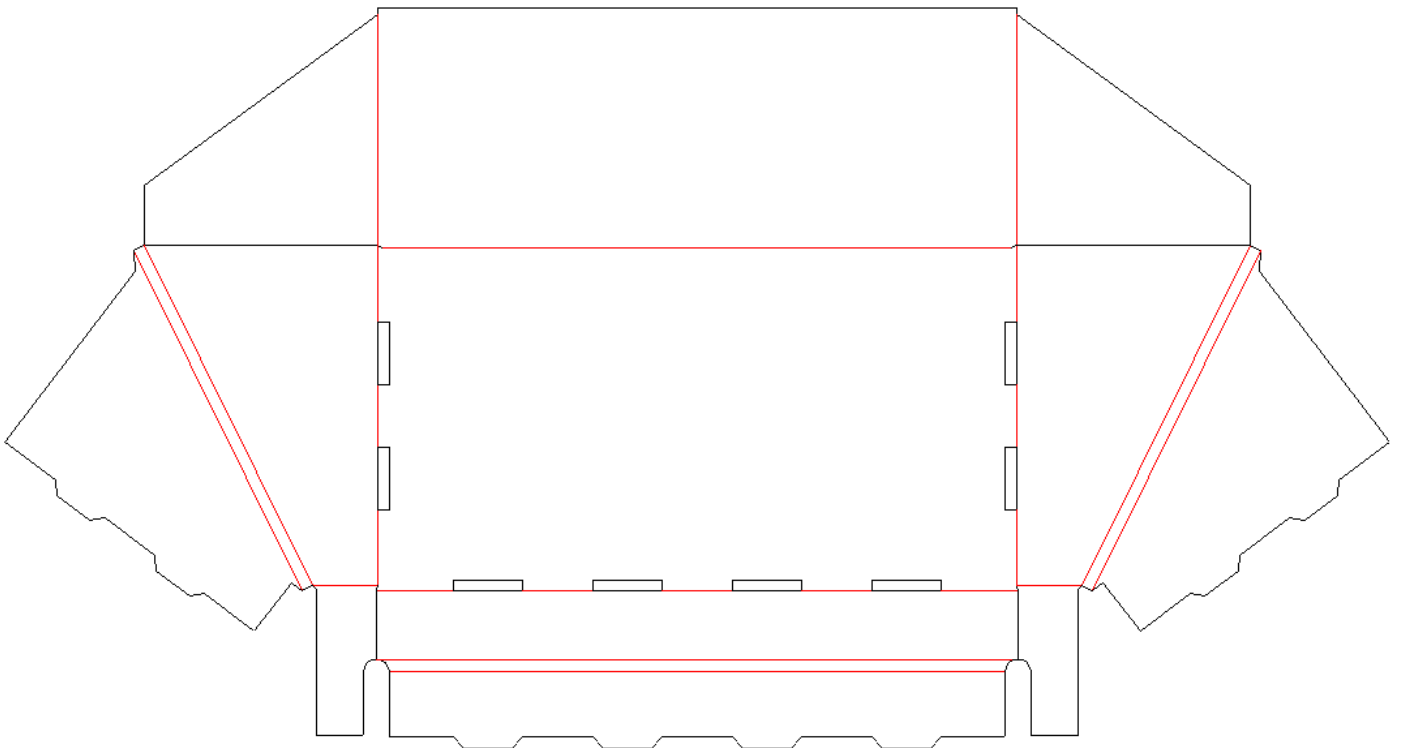


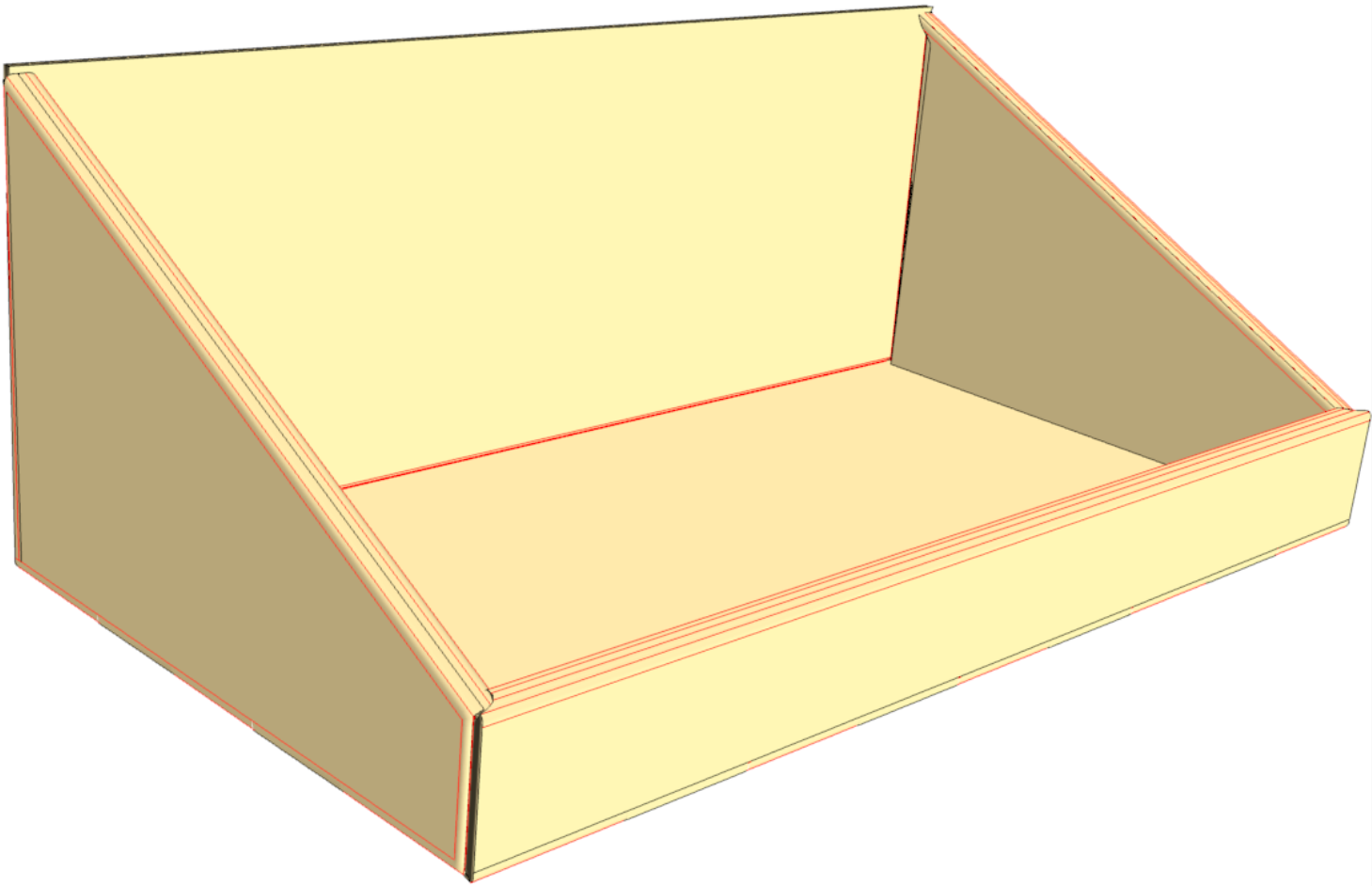
SS Lean Front



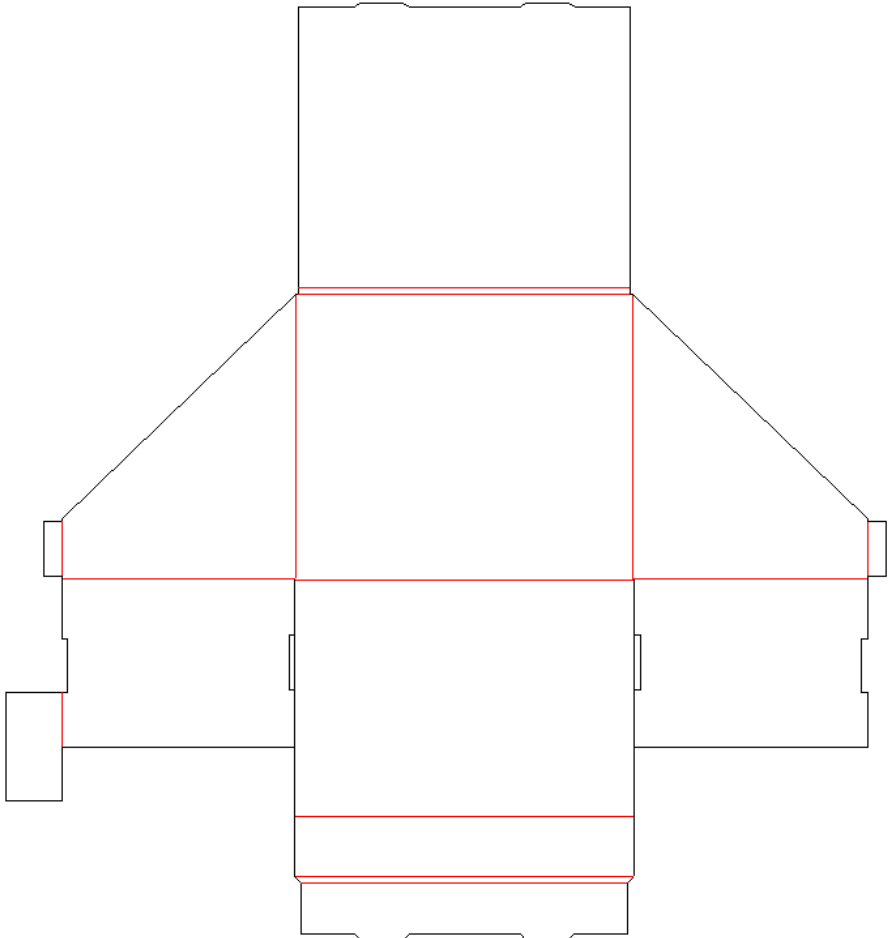


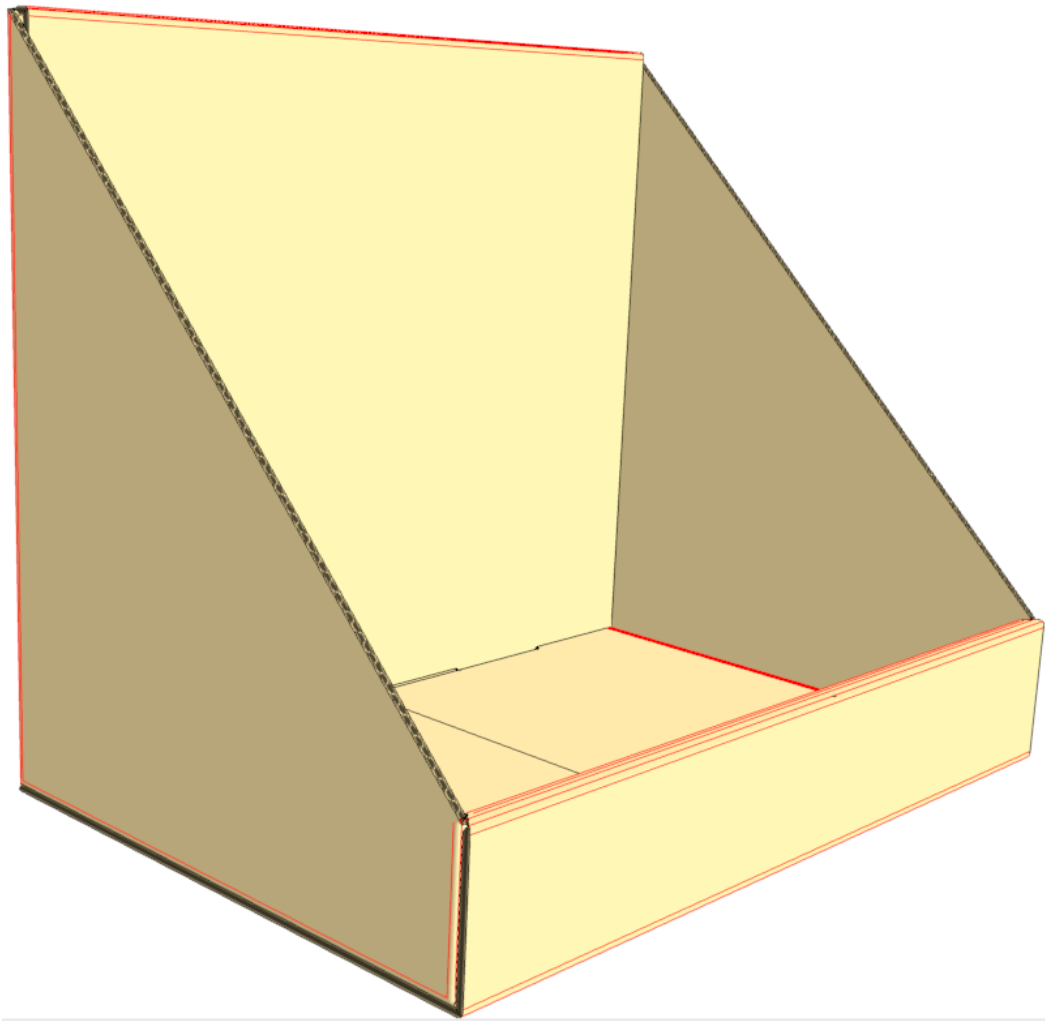
SS SNG Back 1VS



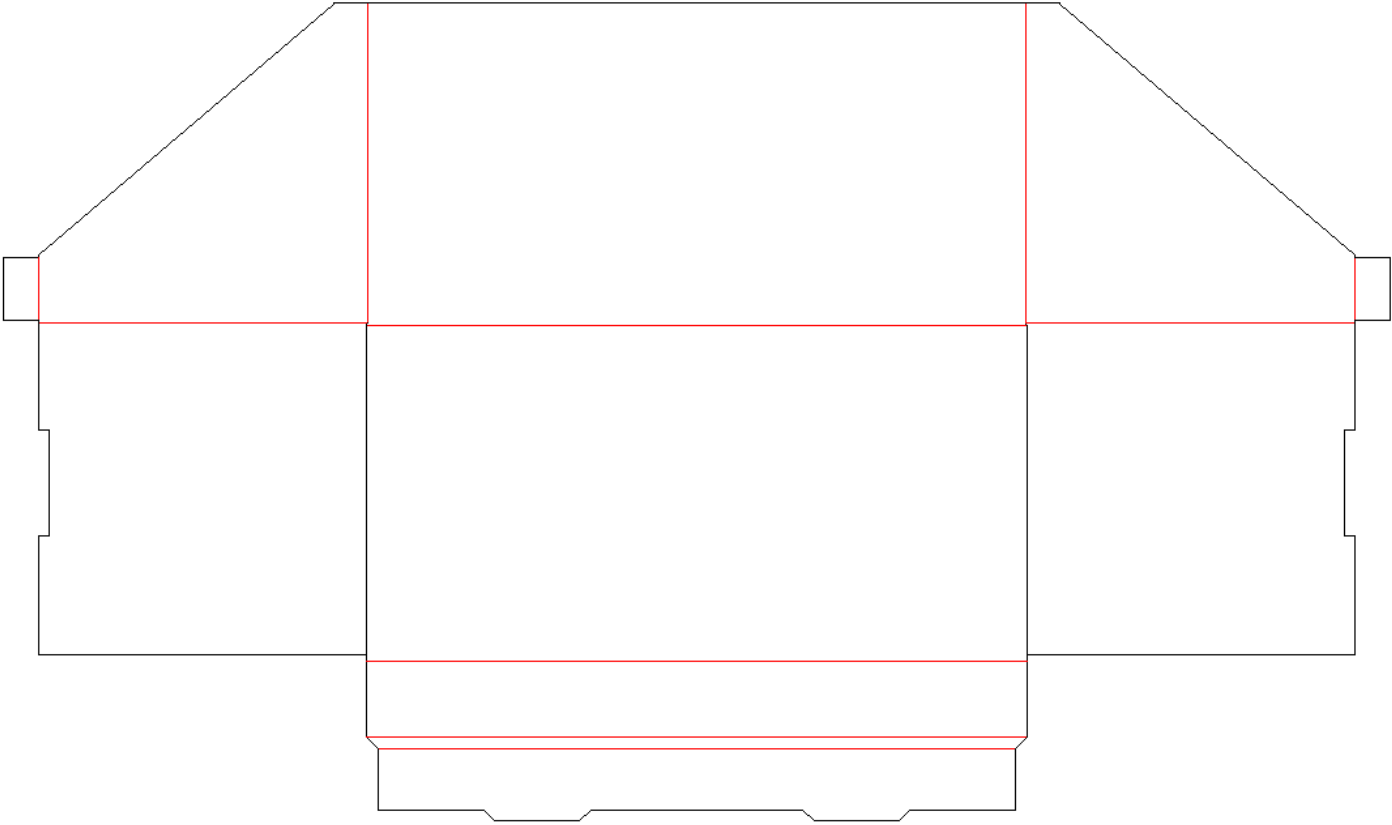


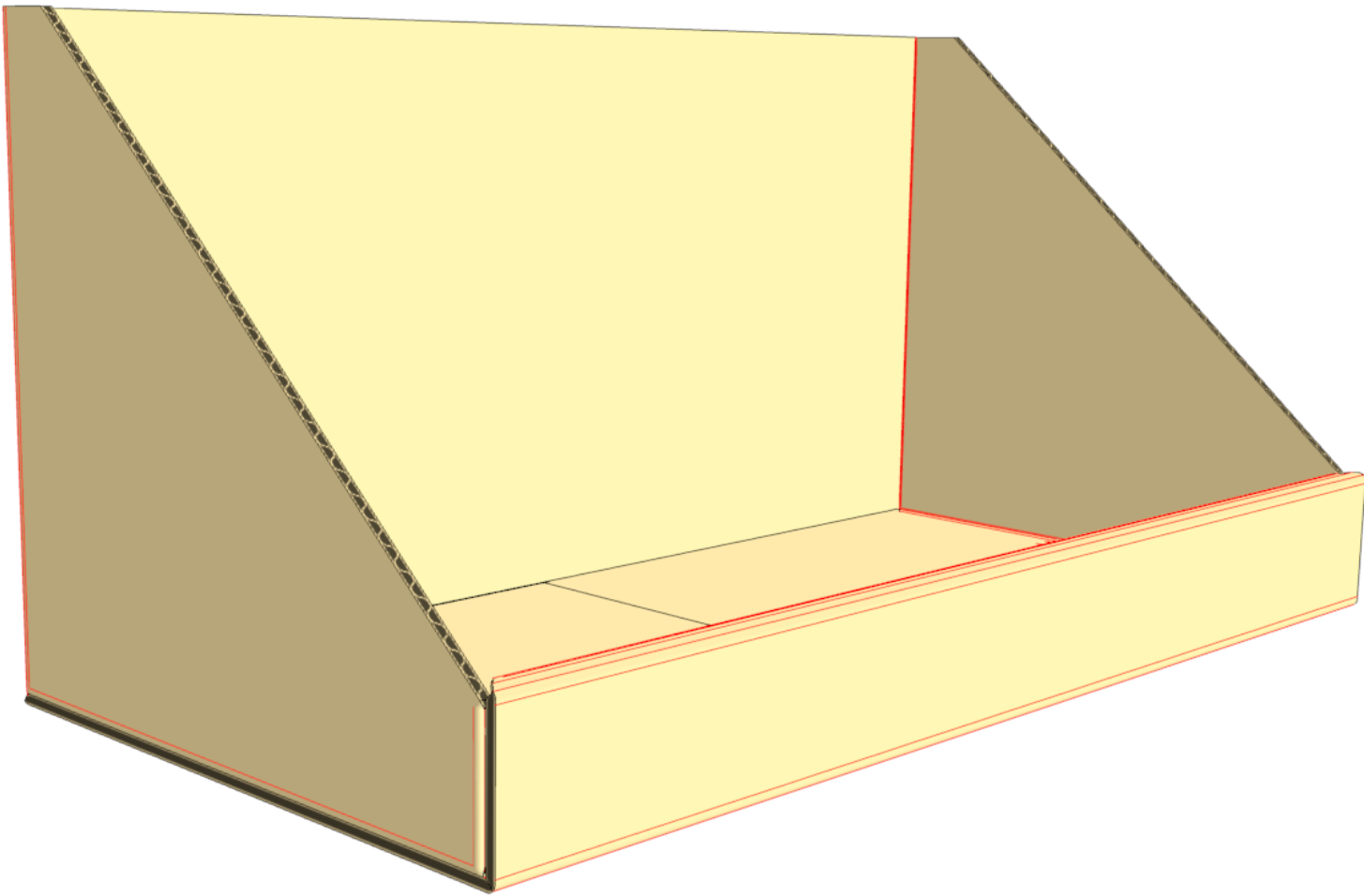
SS Tray Double BTM



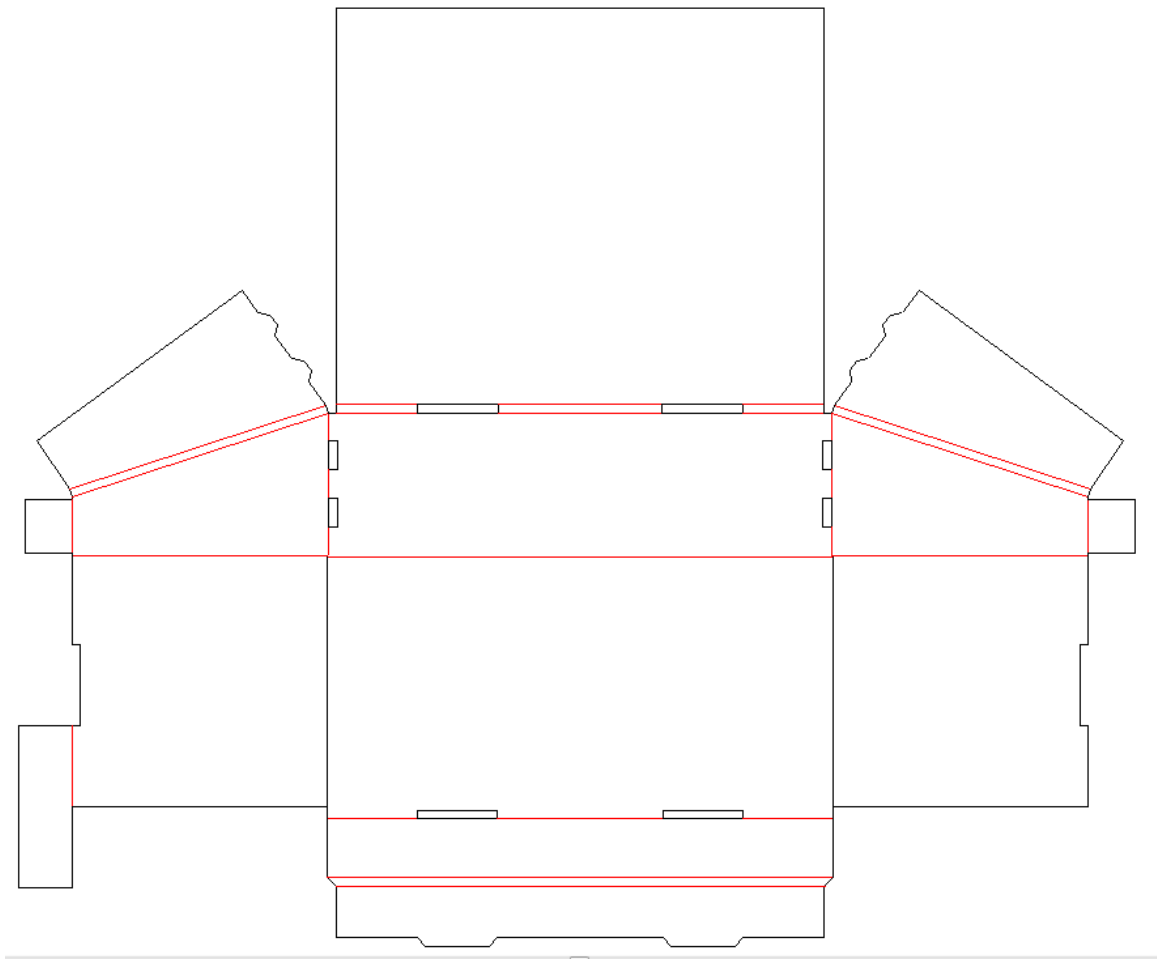


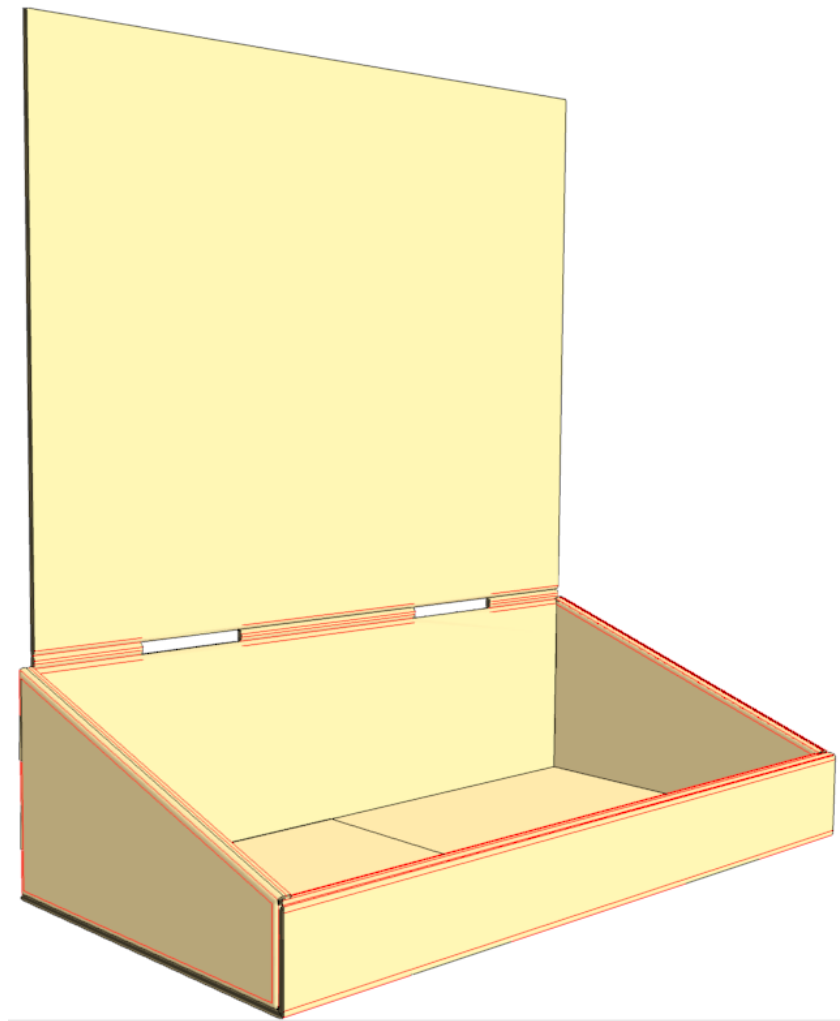
SS Tray No Back Double BTM



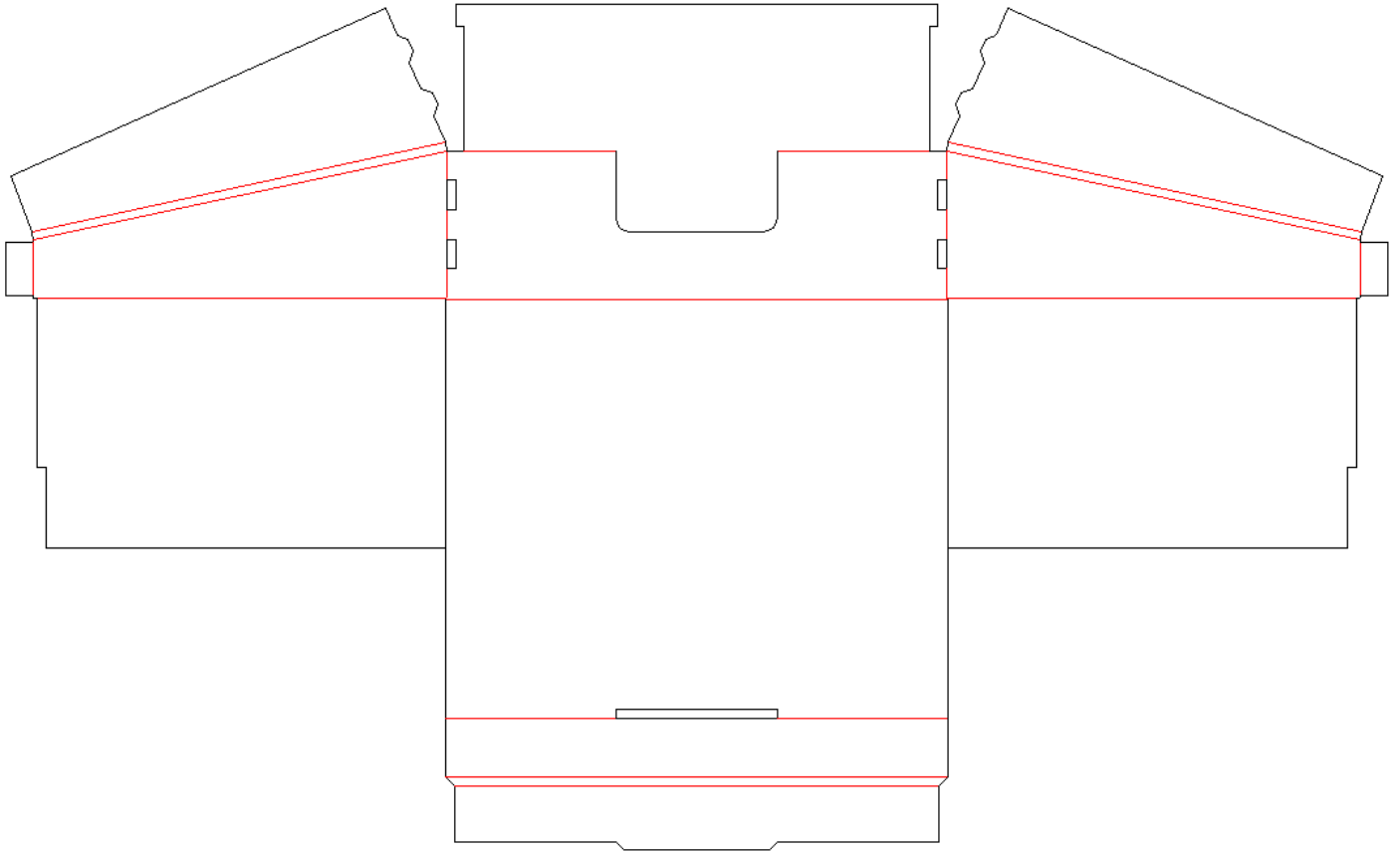


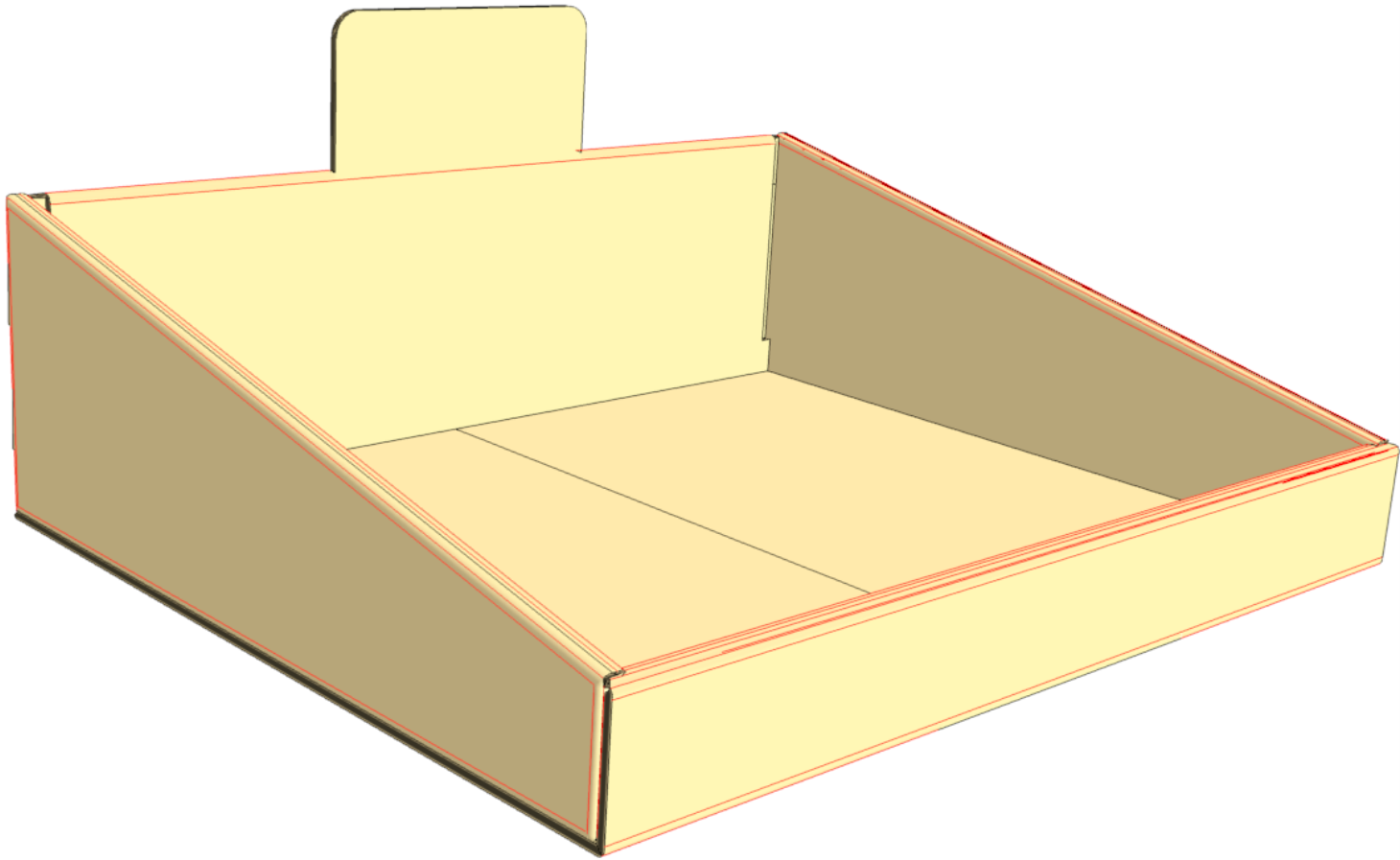
SS Tray Triple BTM



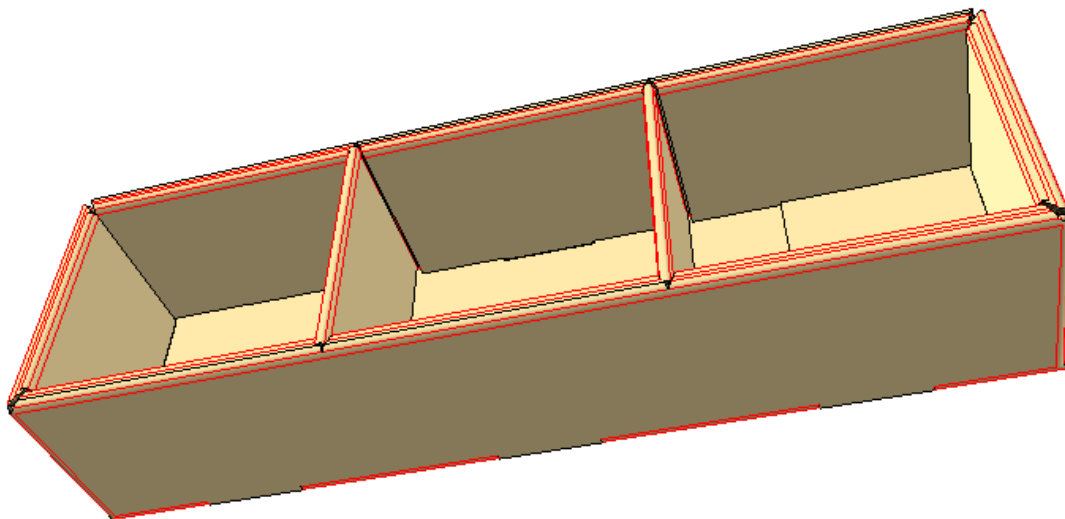
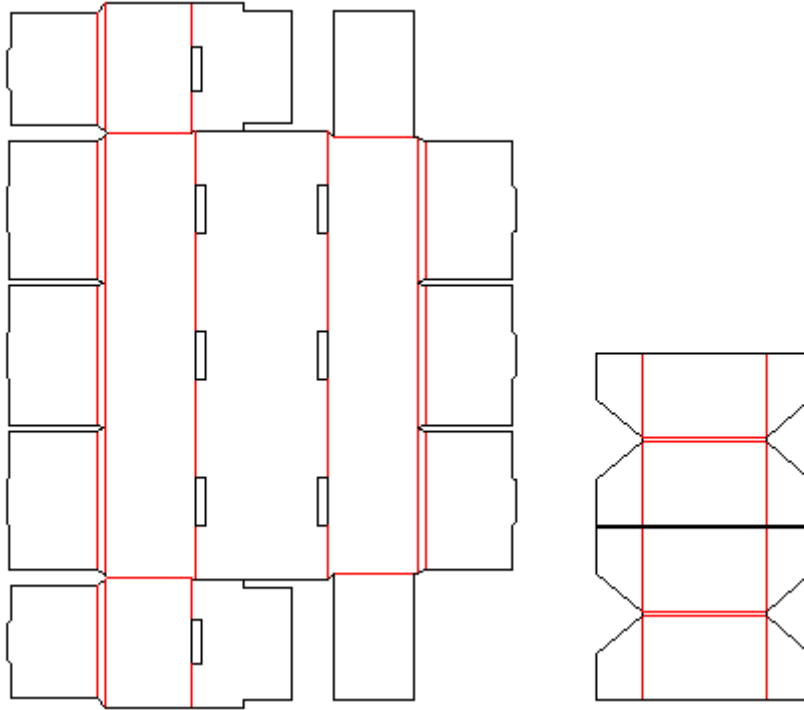


SS Tray W Header



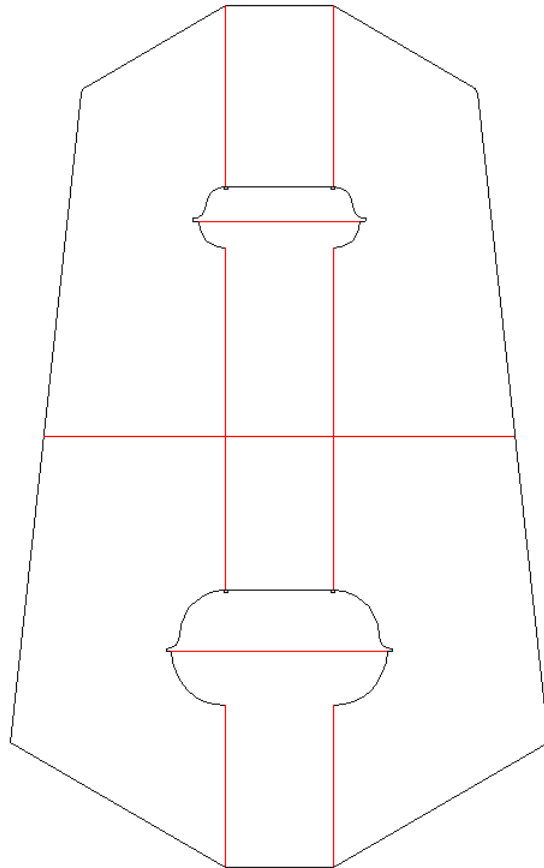


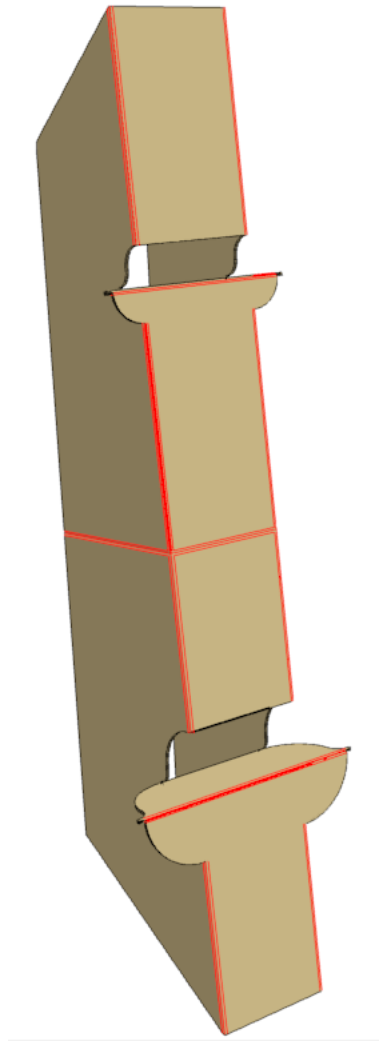
Tray with Divider



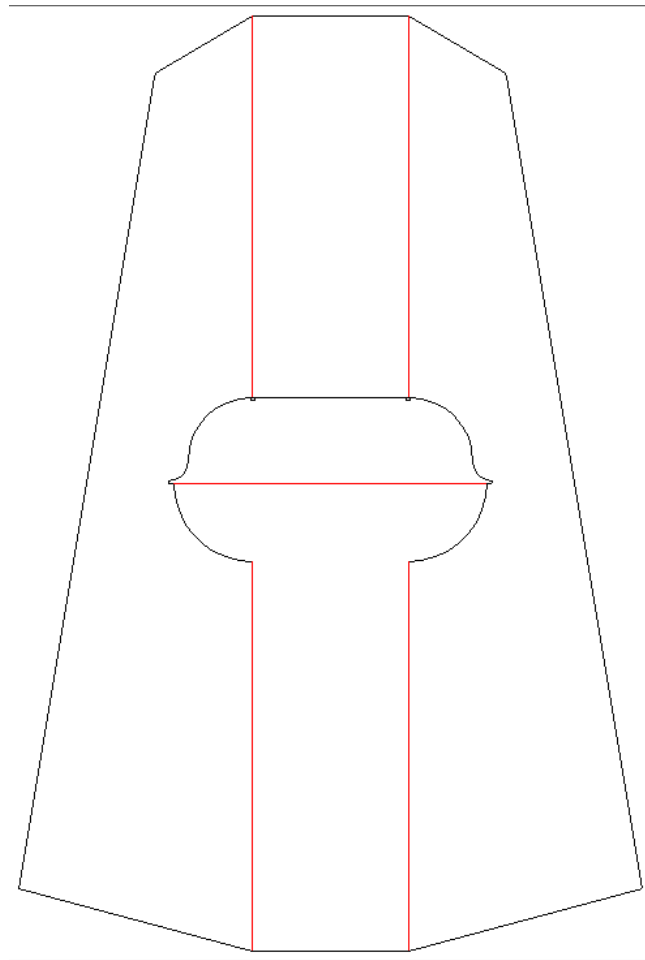
Easels

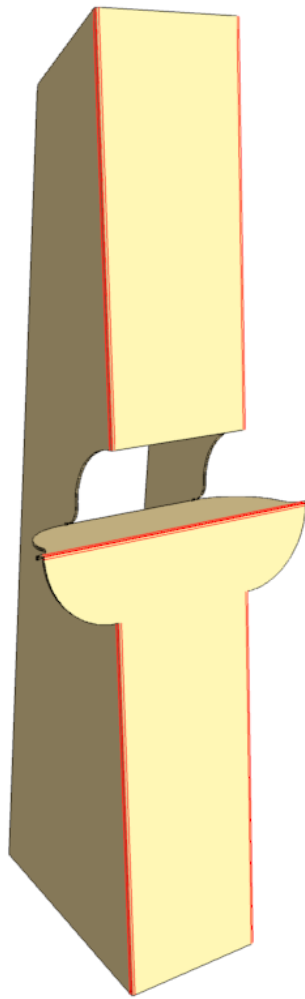
Double Wing Easel



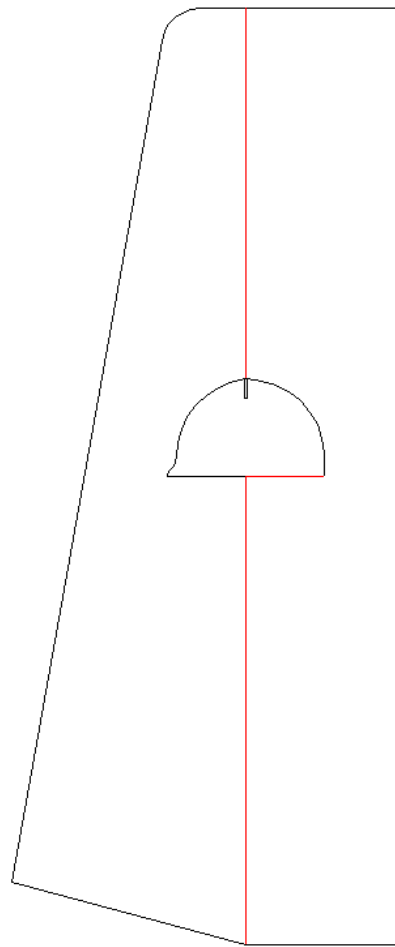


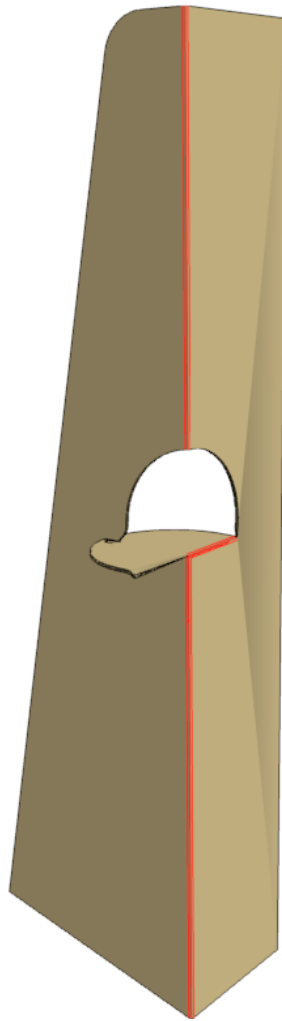
Double Wing Easel Small





Single Wing Easel

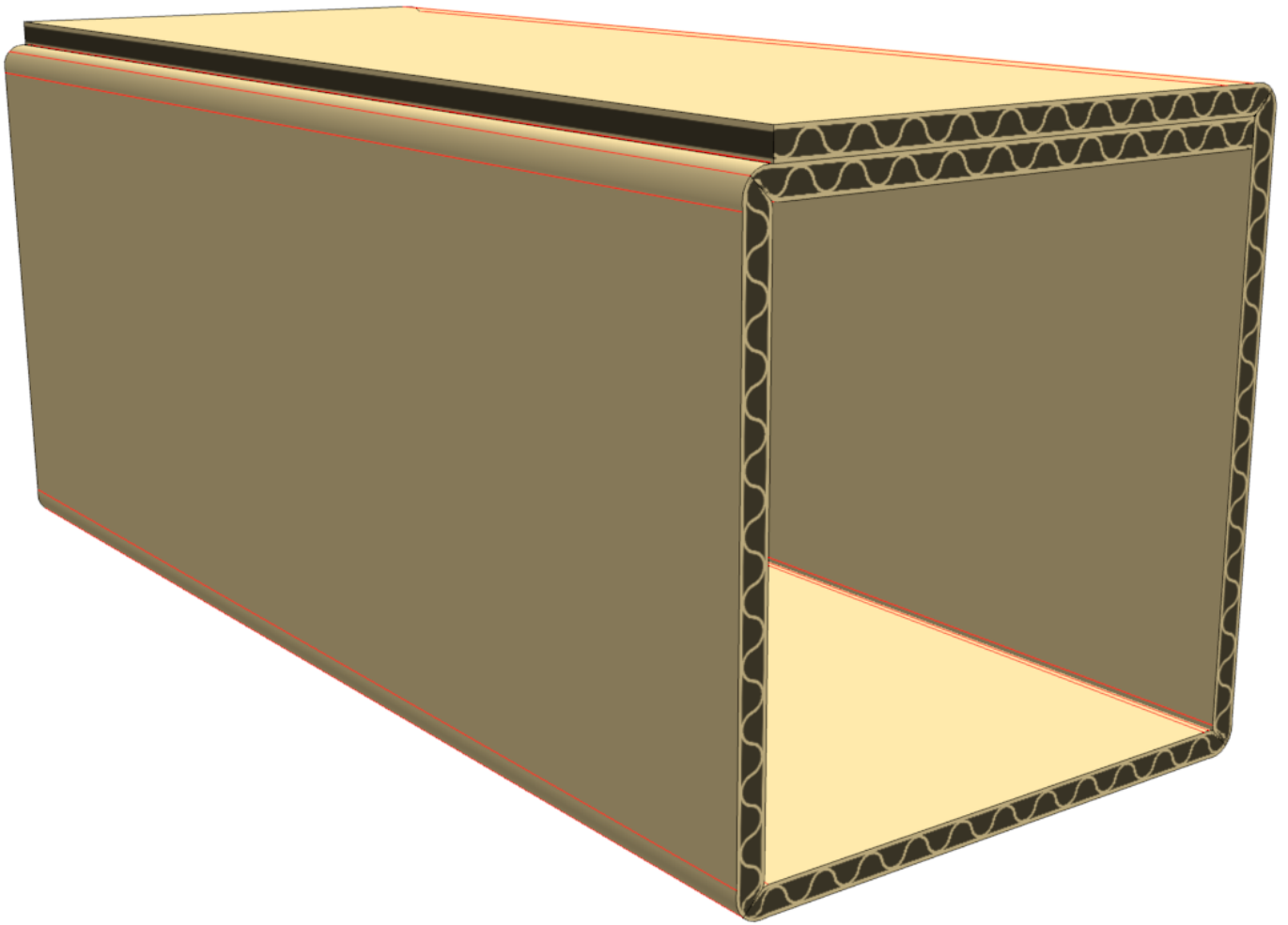




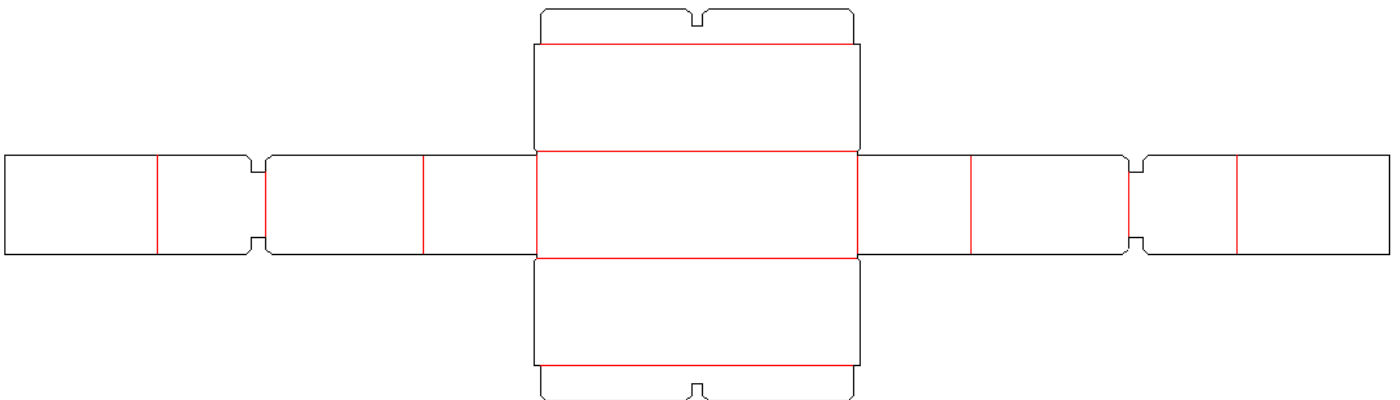
Fillers

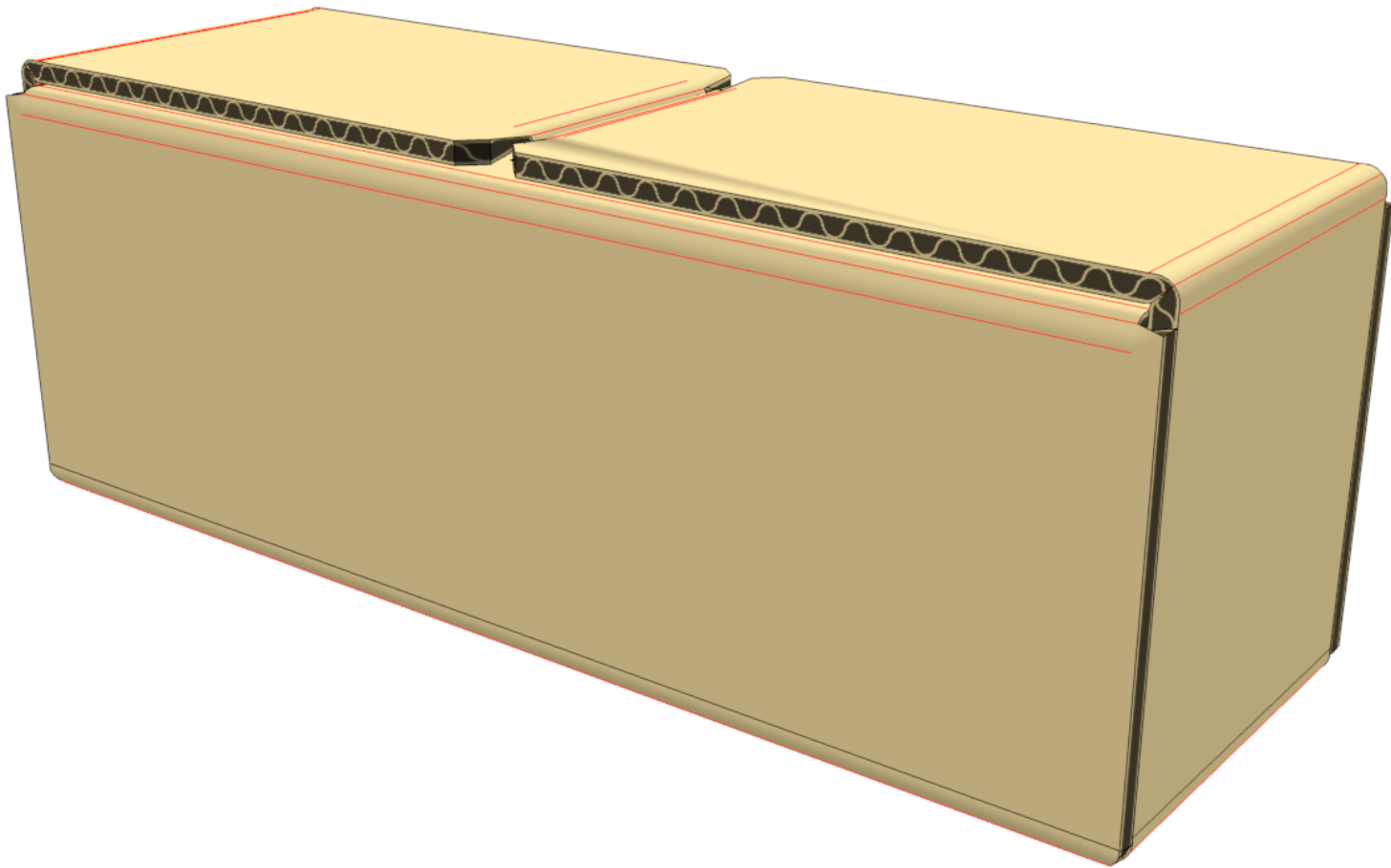
5 Panel Roll

--	--	--	--	--



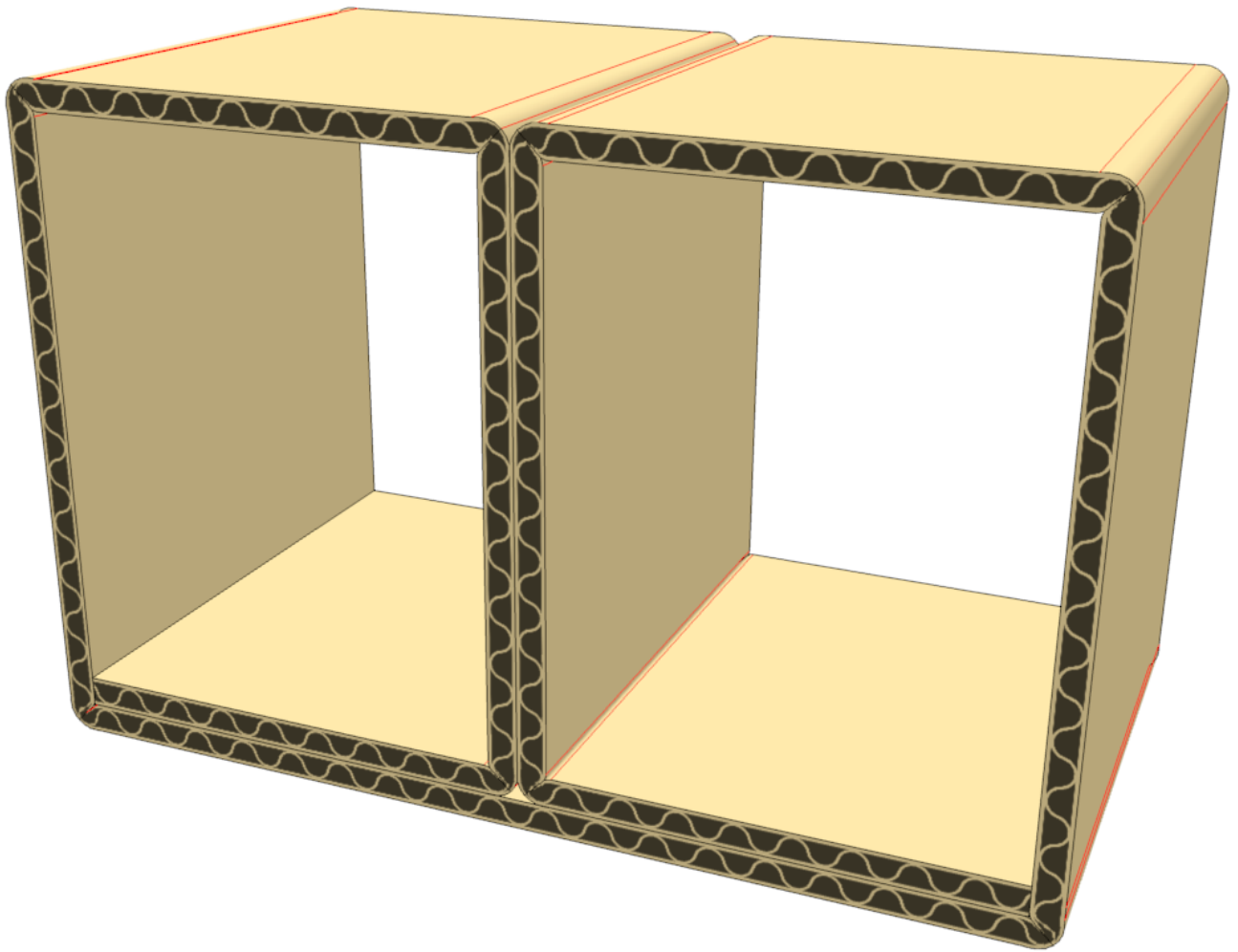
9 Panel Fill



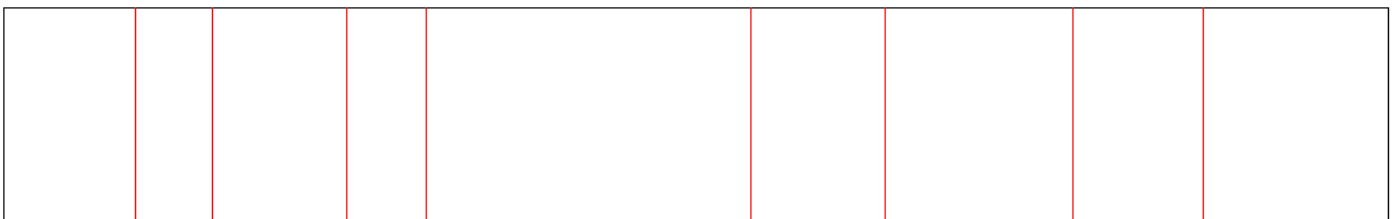


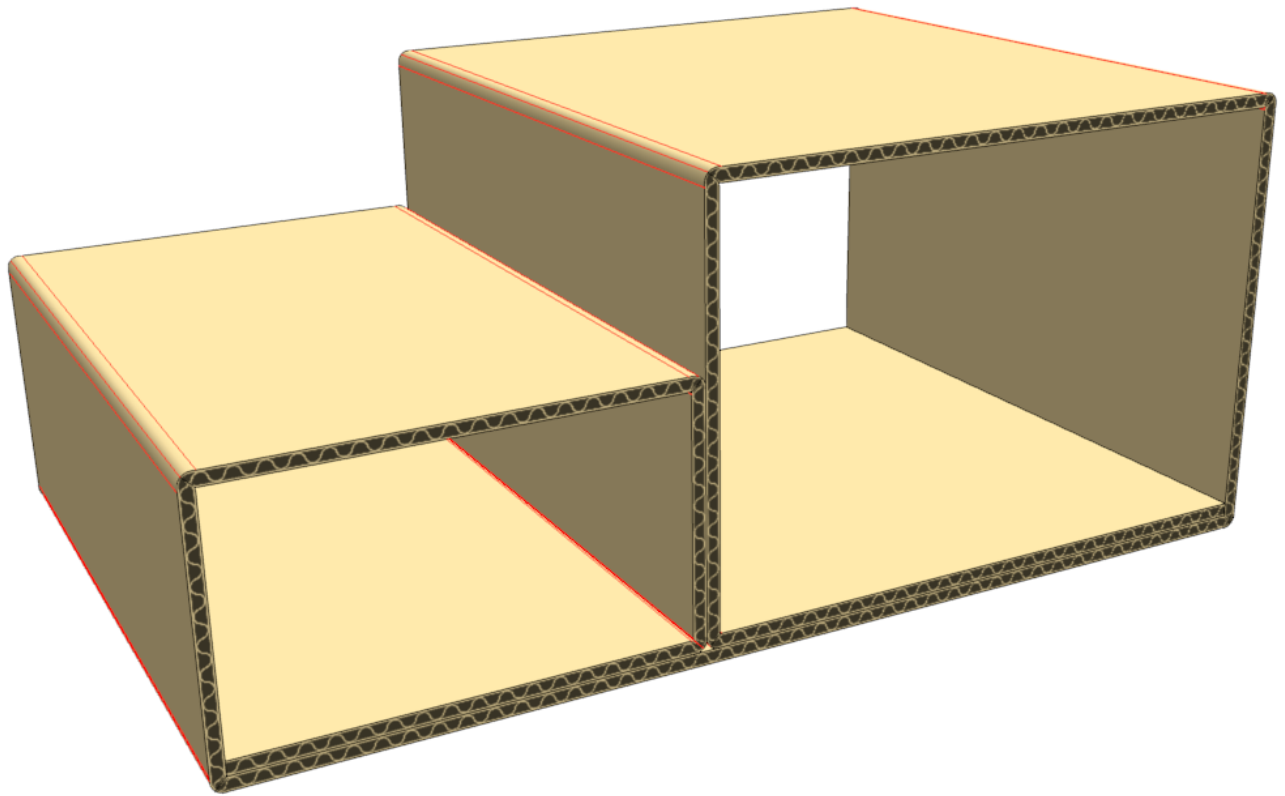
9 Panel Roll



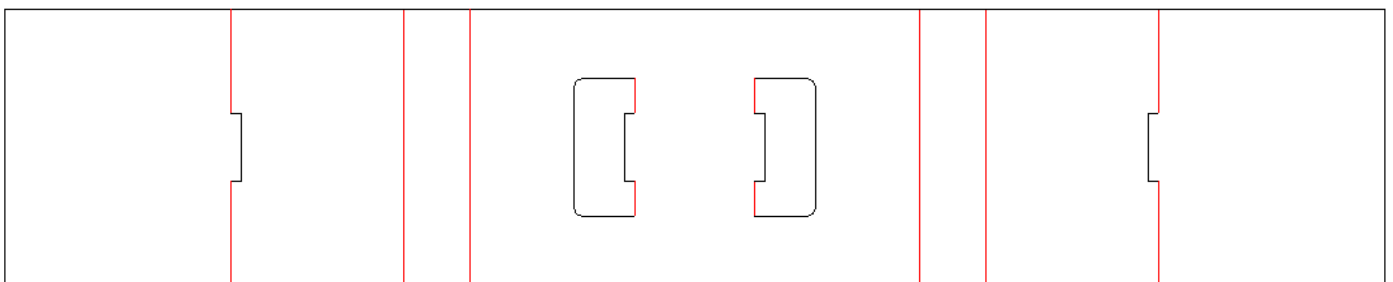


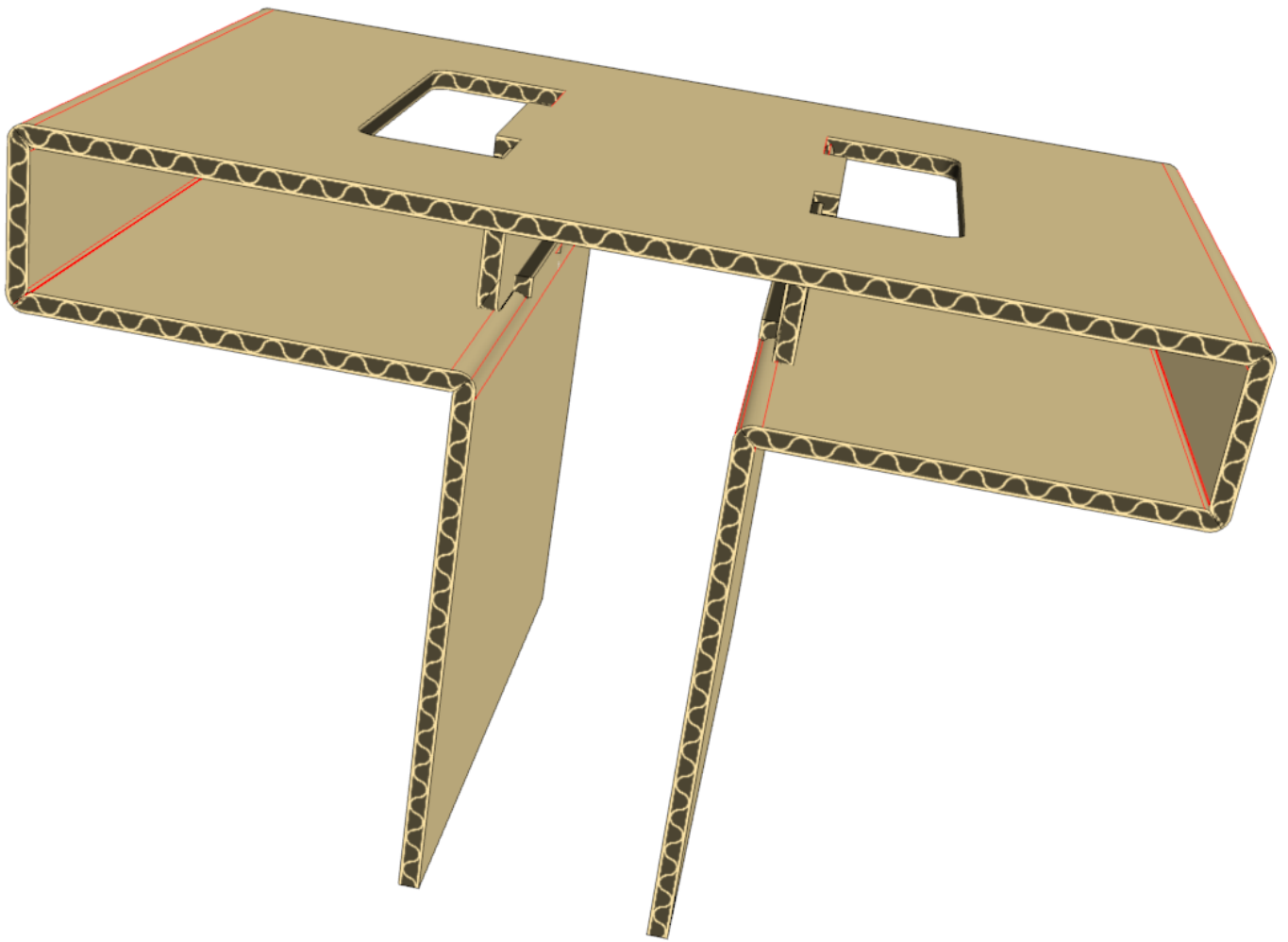
9 Panel unev



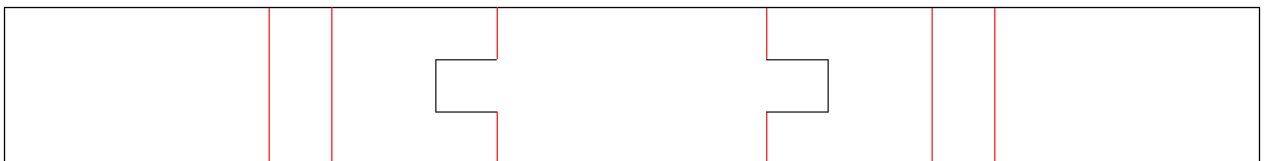


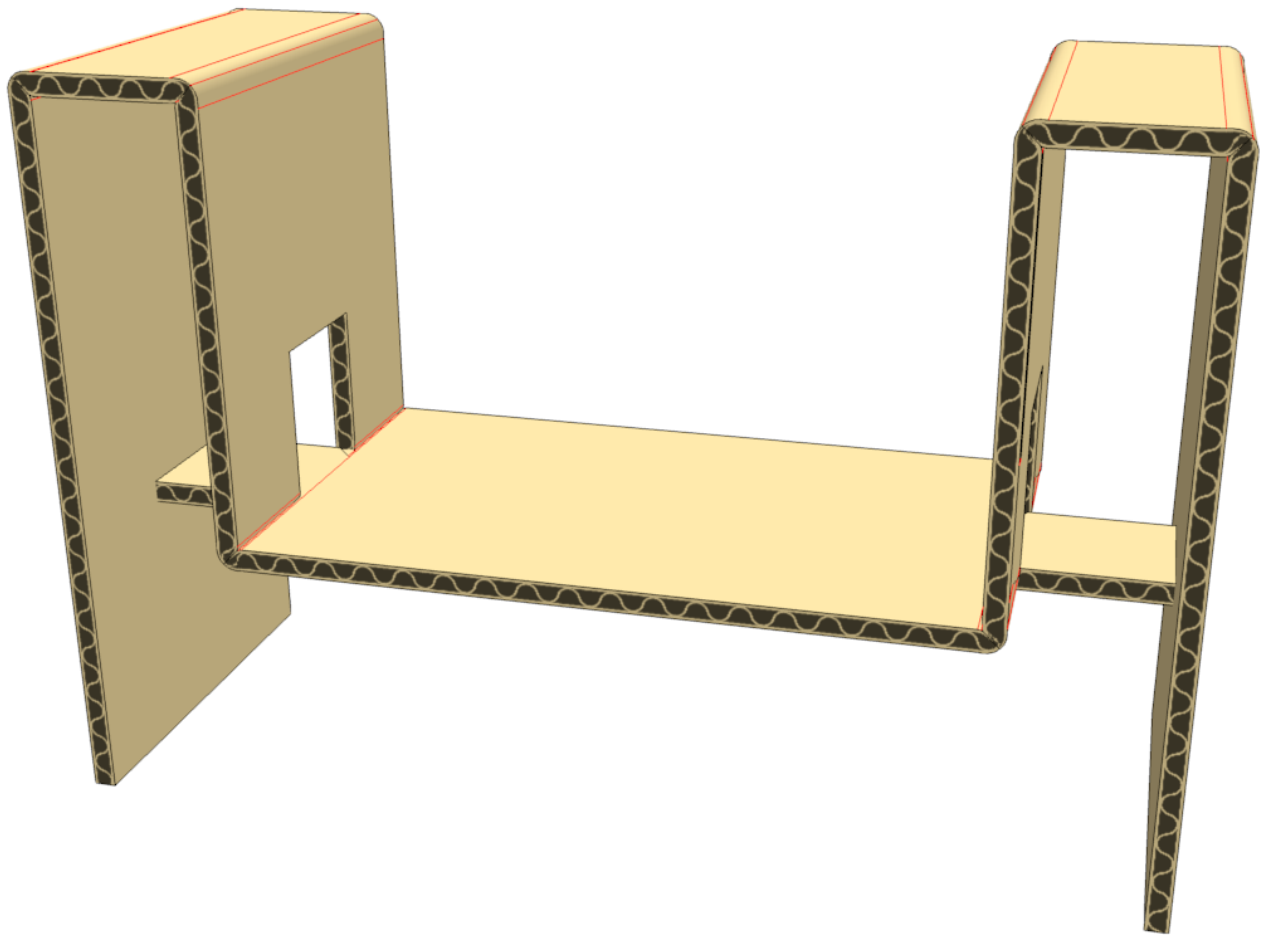
Bowtie





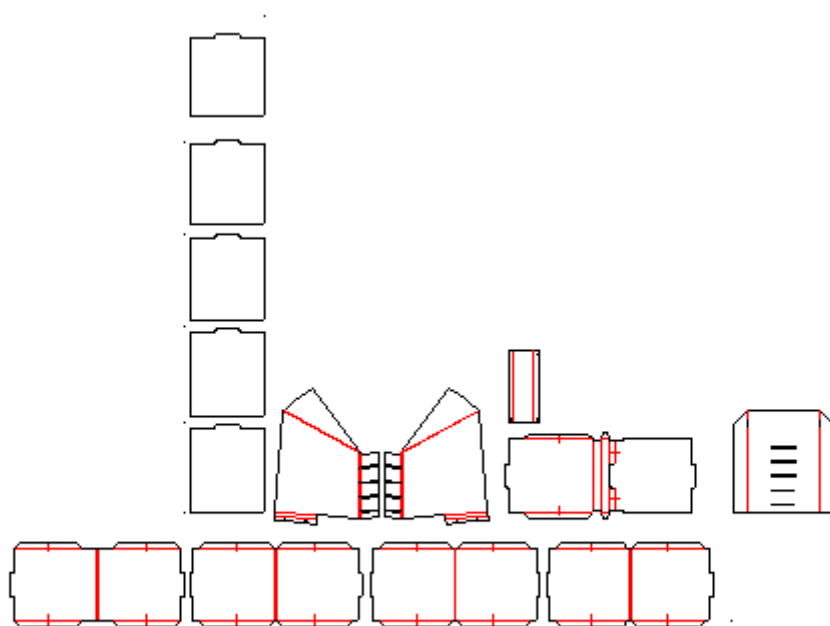
Patryfl



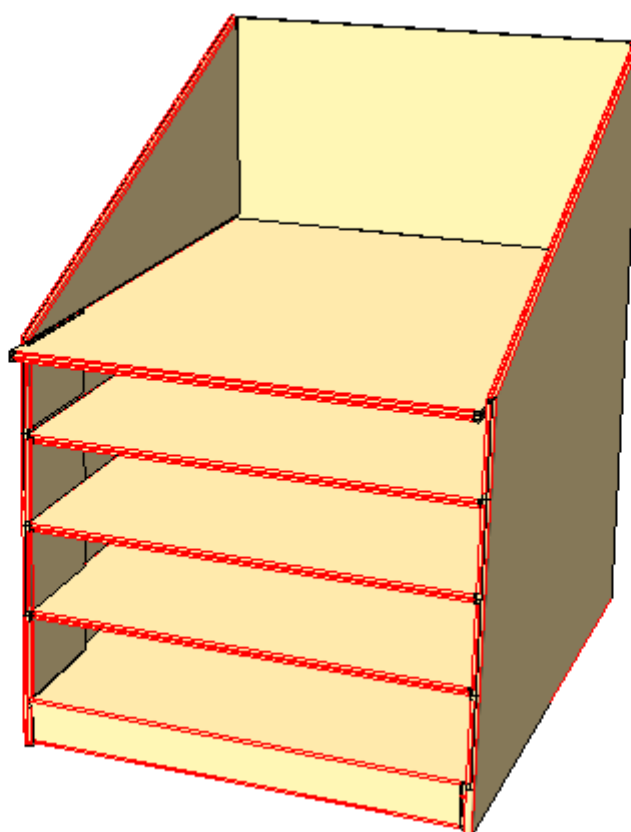


Standalone Displays

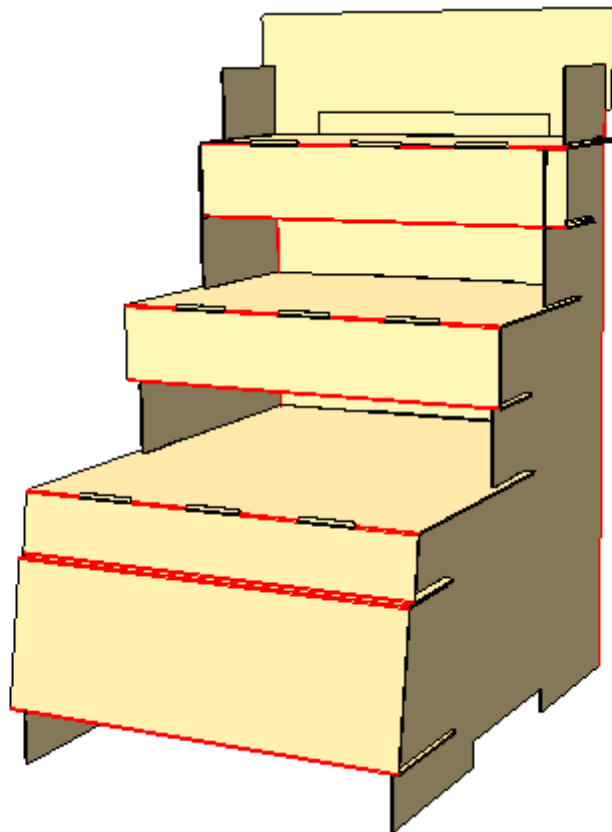
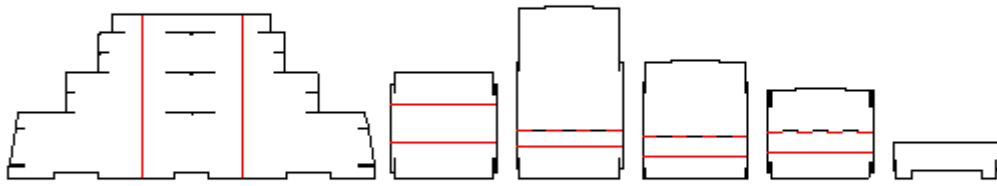
Angular Display with Shelves



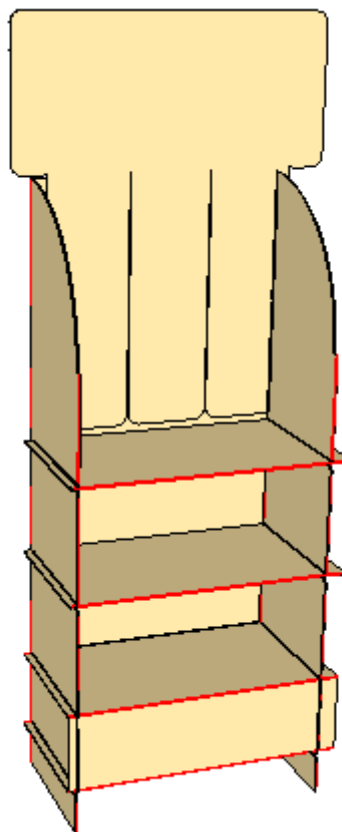
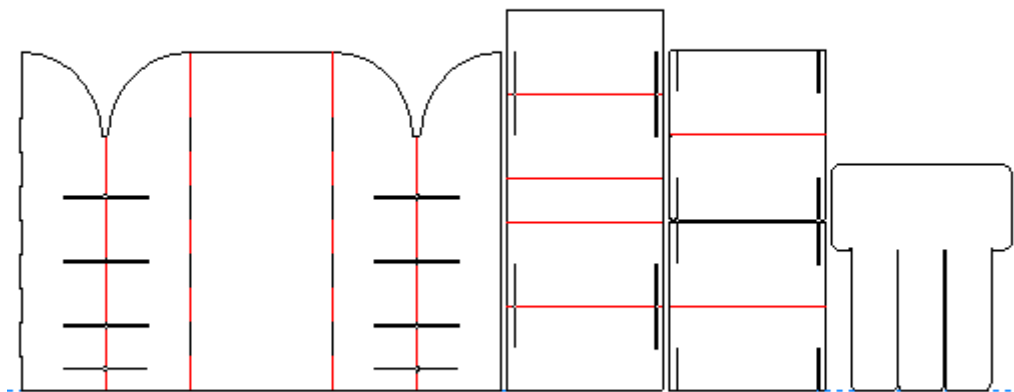
.....



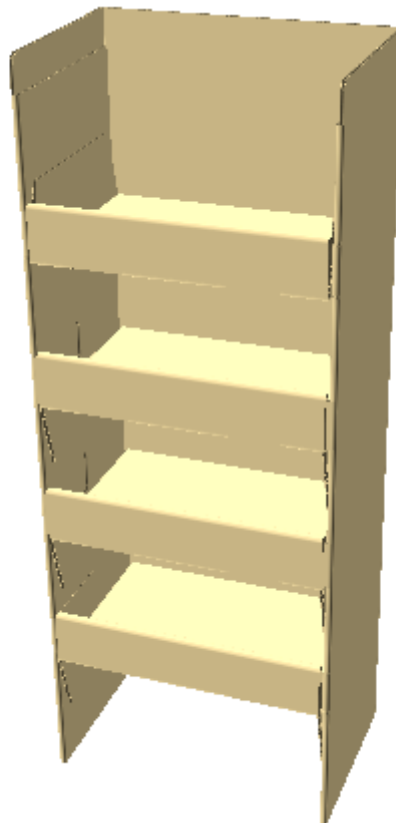
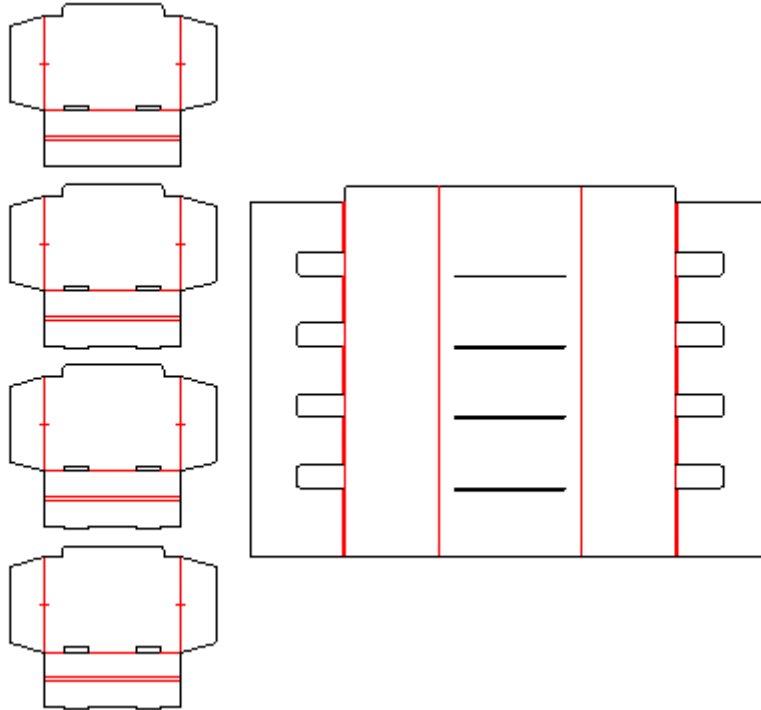
Display Base



Display Stand



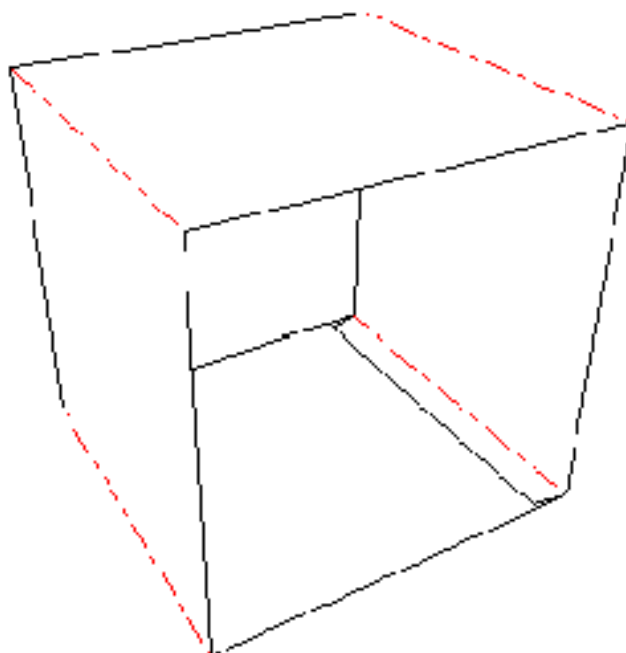
Display Stand with Trays



5. Folding Carton Standards

Sleeves

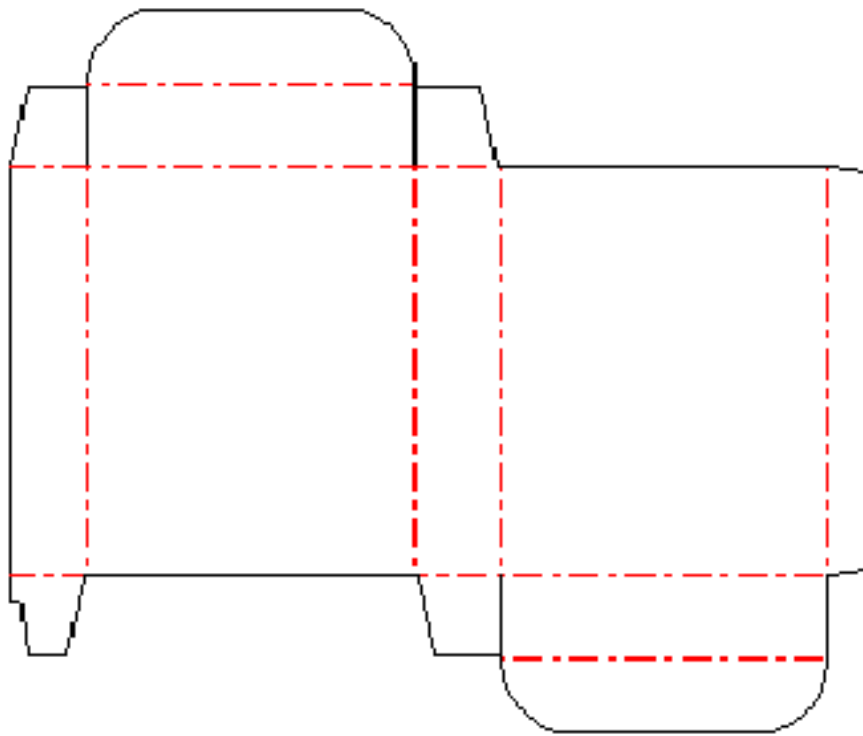
111.01.ARD - Standard sleeve



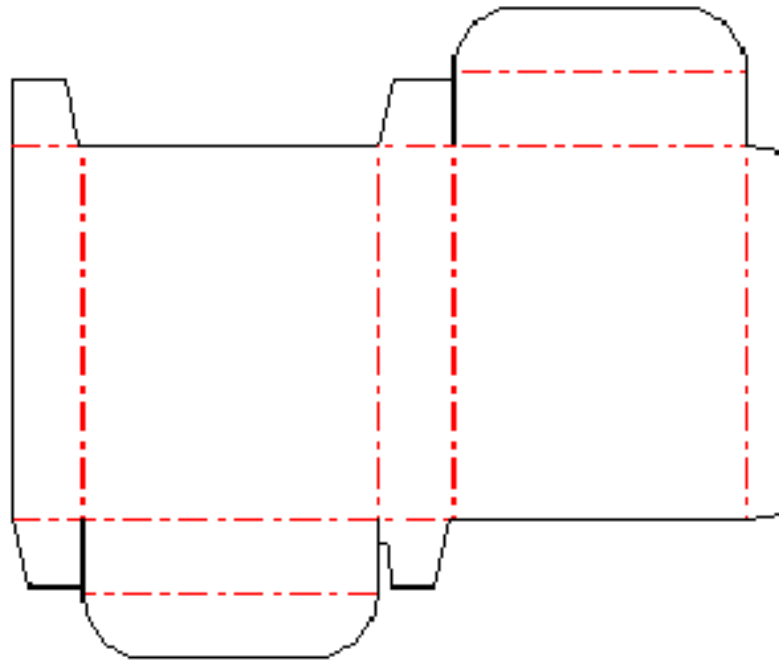
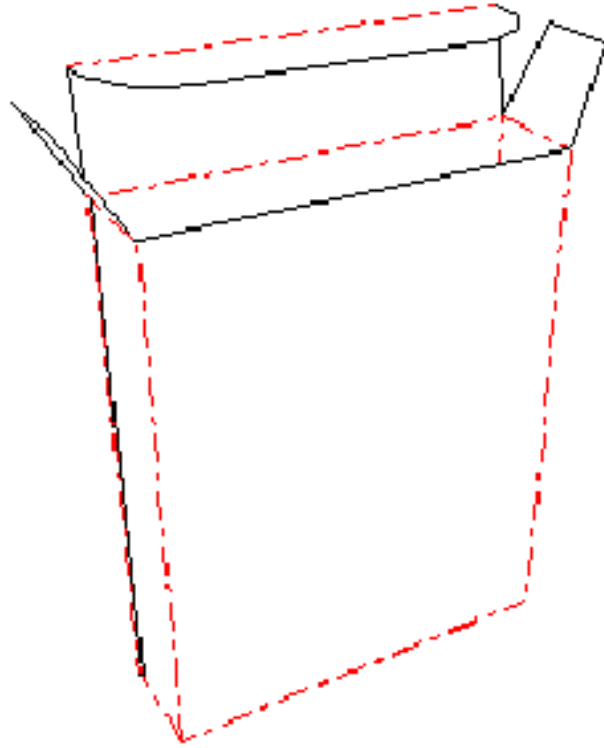
Friction tuck tops/bottoms

122.05.ARD - Reverse top tuck on 2nd

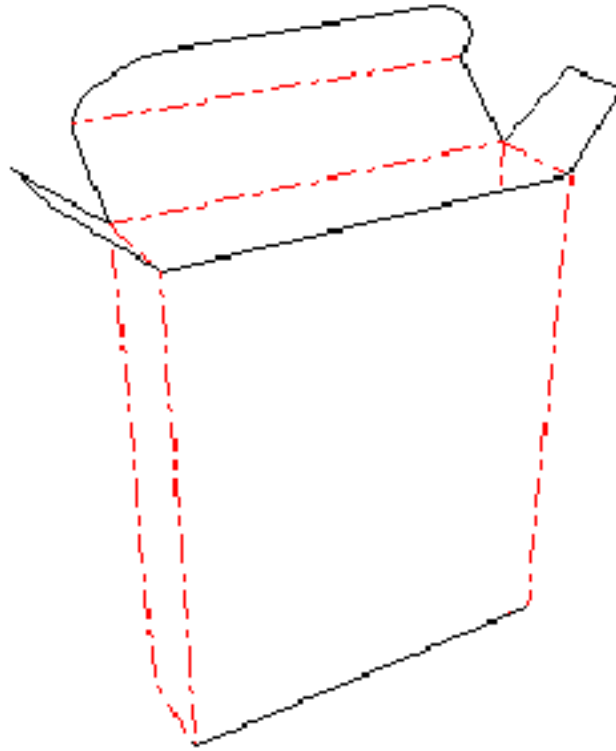


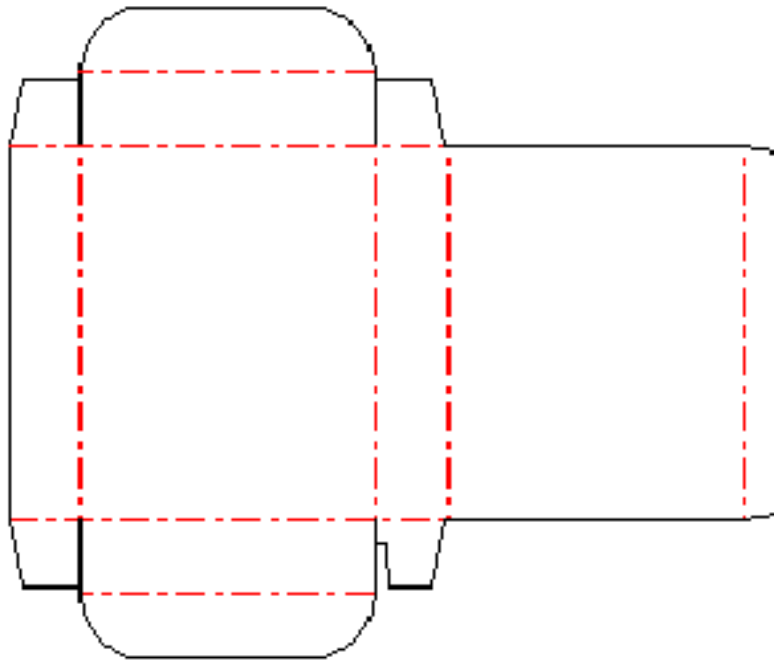


121.05.ARD - Reverse top tuck on 4th

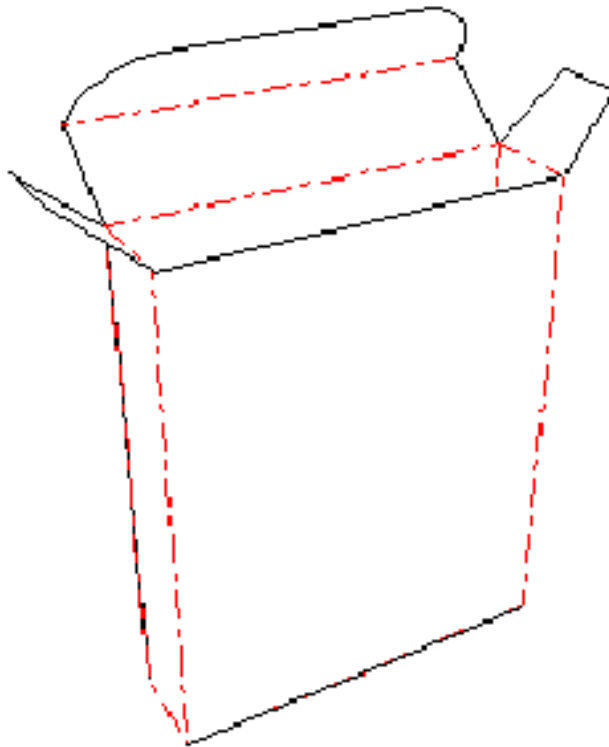


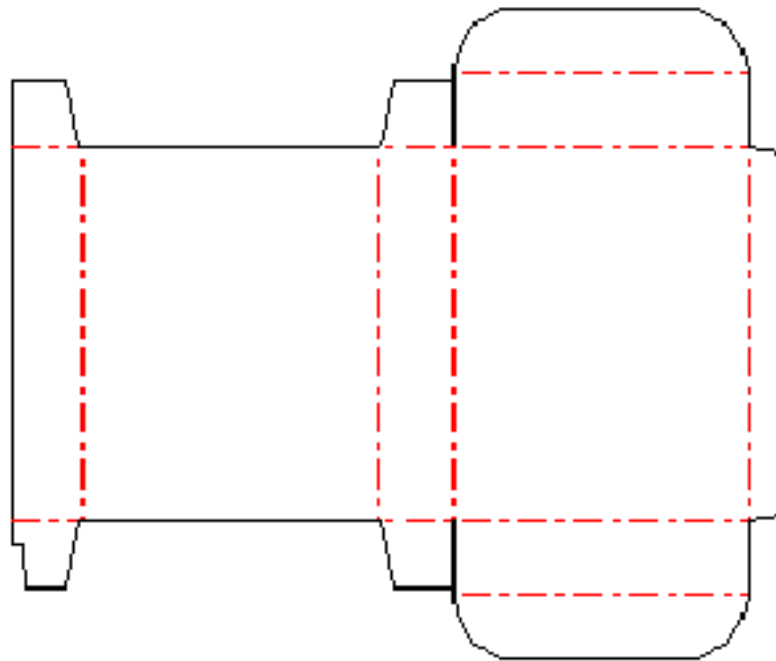
123.05.ARD - Straight tuck top on 2nd





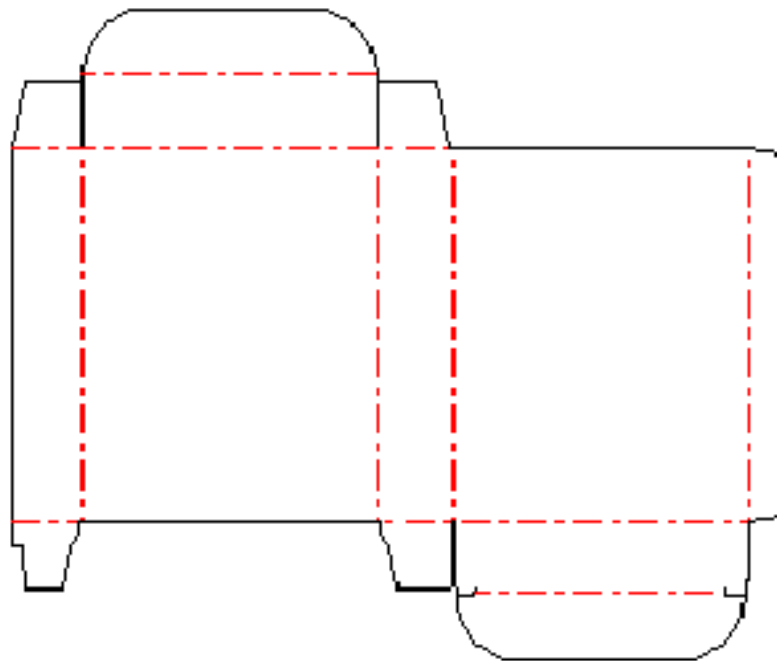
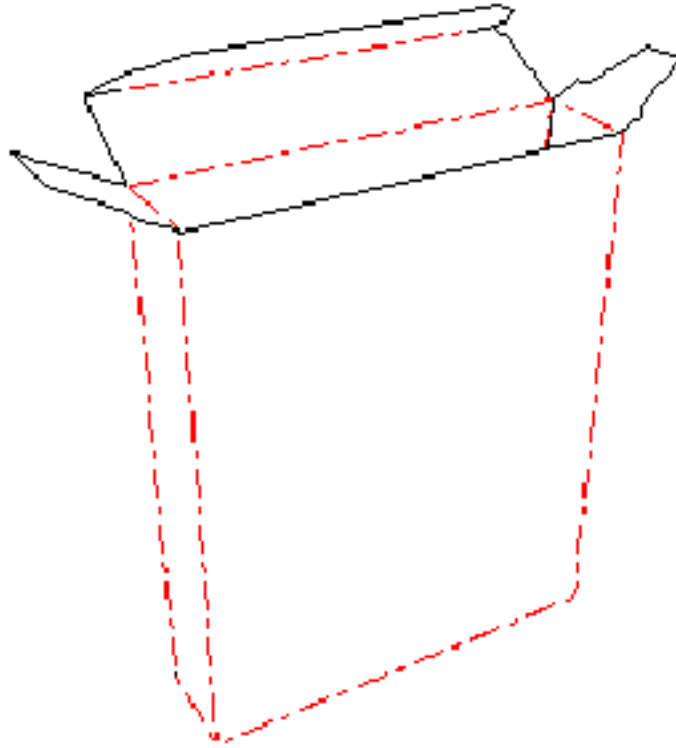
124.05.ARD - Straight tuck top on 4th



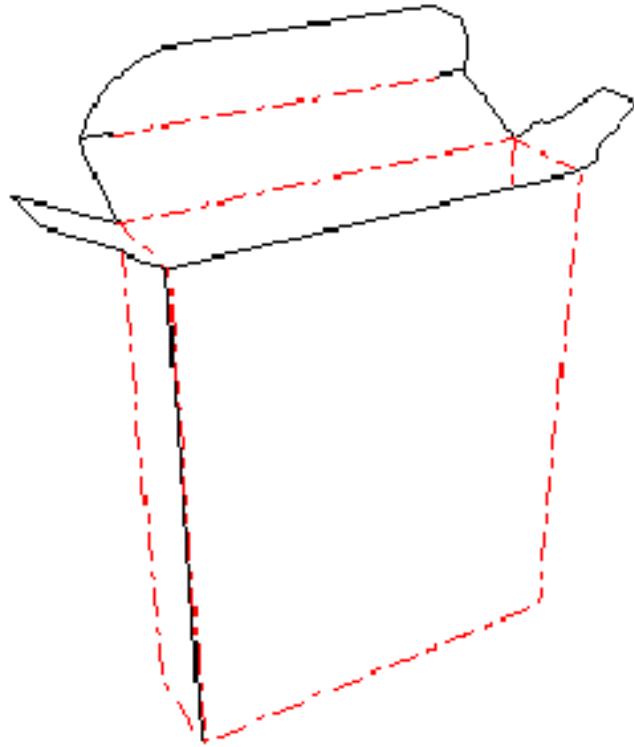


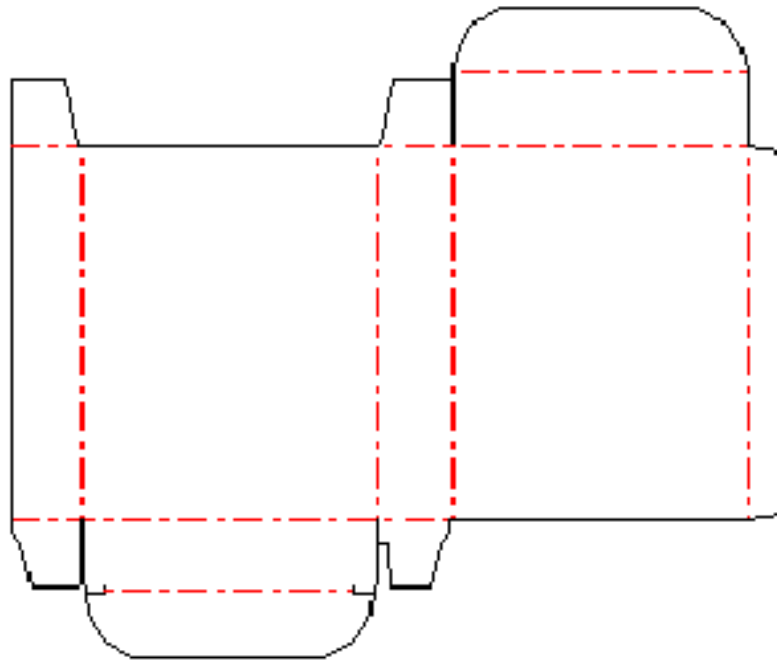
Friction Tuck Tops/Unituck bottom

122.01.ARD - Reverse top tuck on 2nd

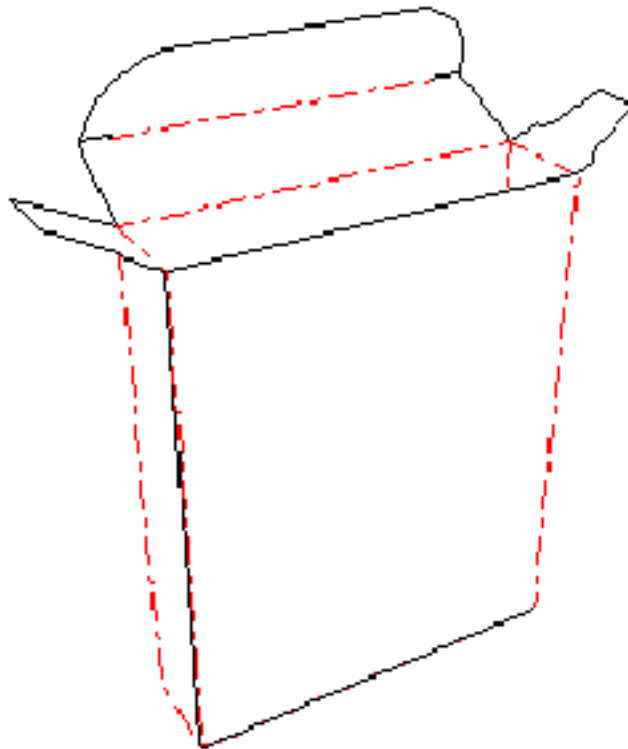


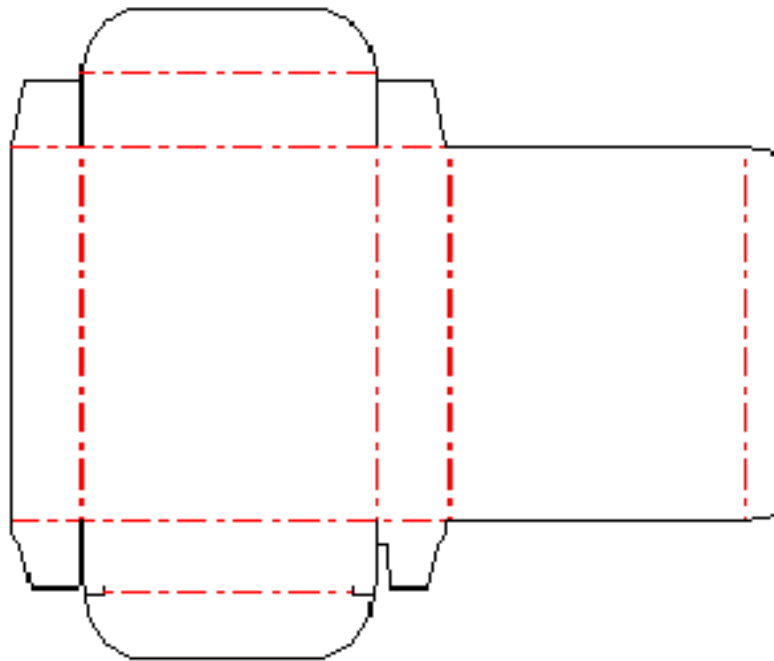
121.01.ARD - Reverse tuck top on 4th



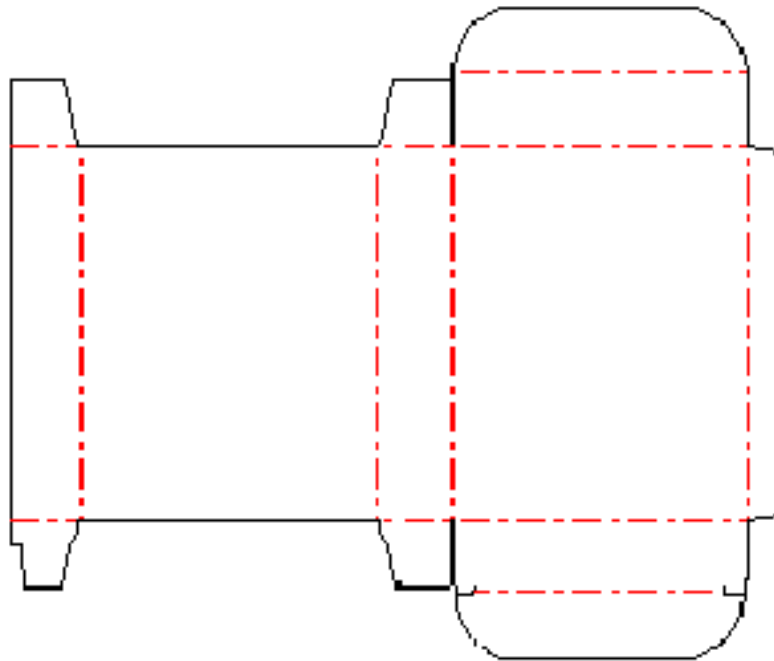
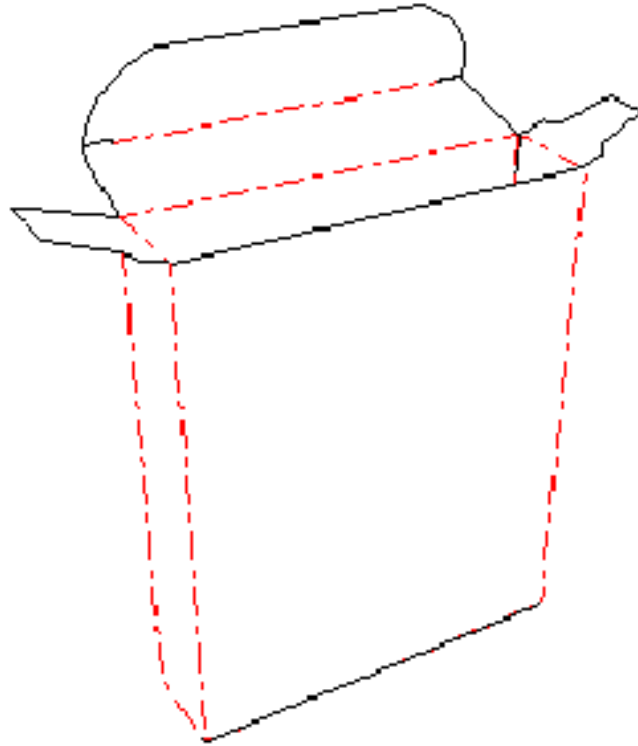


123.01.ARD - Straight tuck top on 2nd



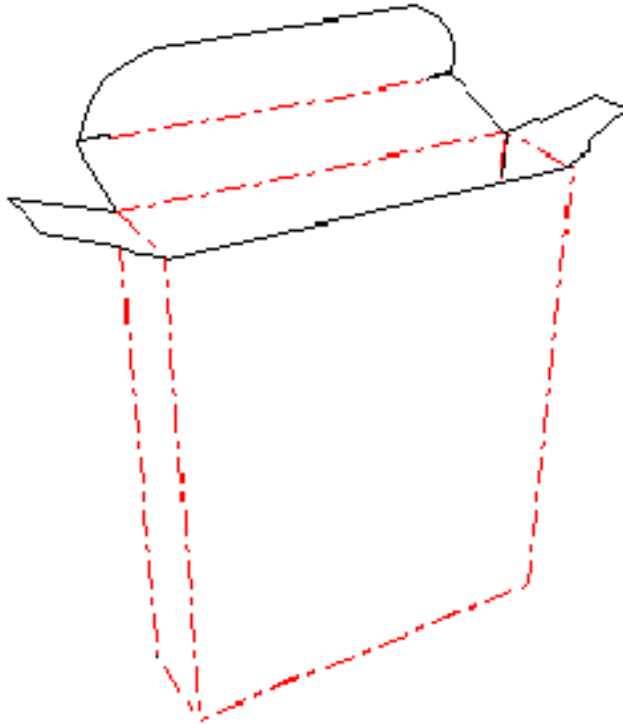


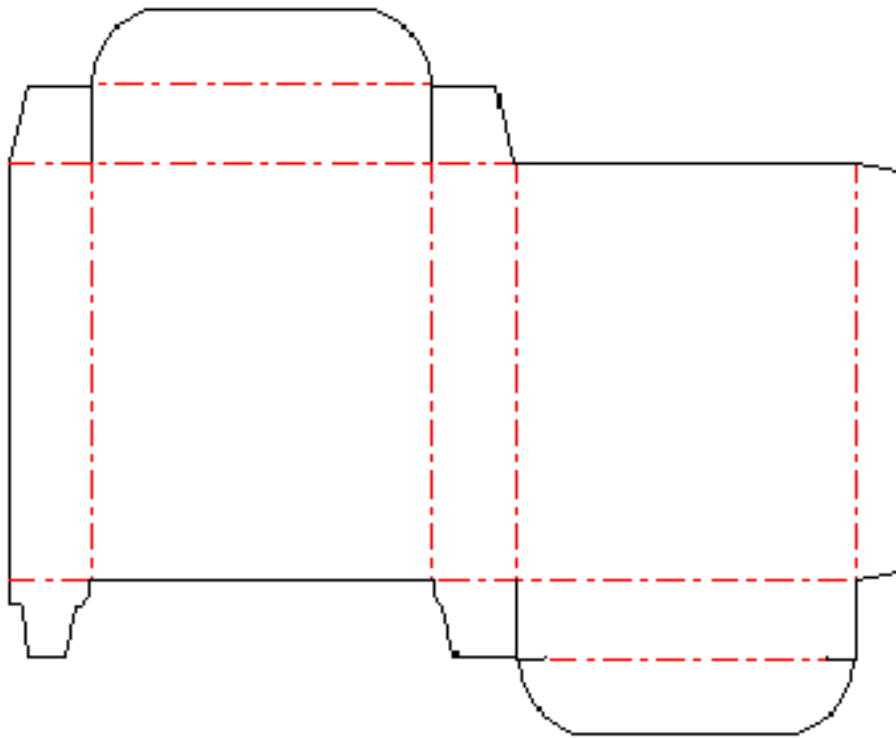
124.01.ARD - Straight tuck top on 4th



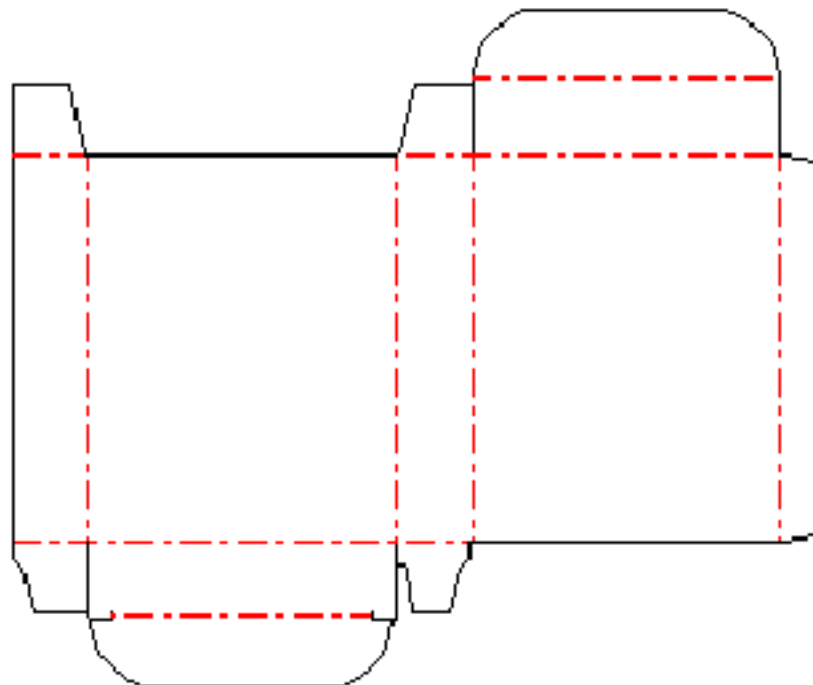
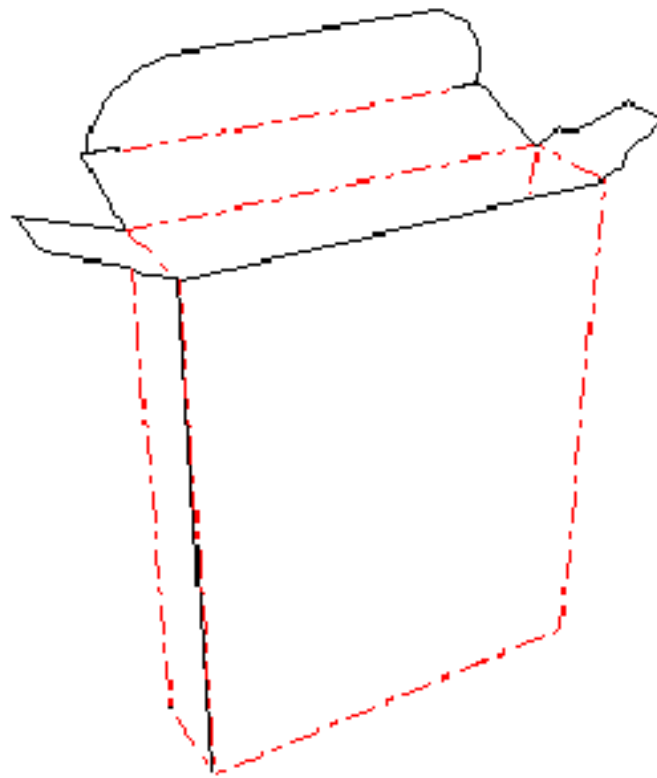
Friction tuck tops/Slit lock bottom

122.03.ARD - Reverse top tuck on 2nd

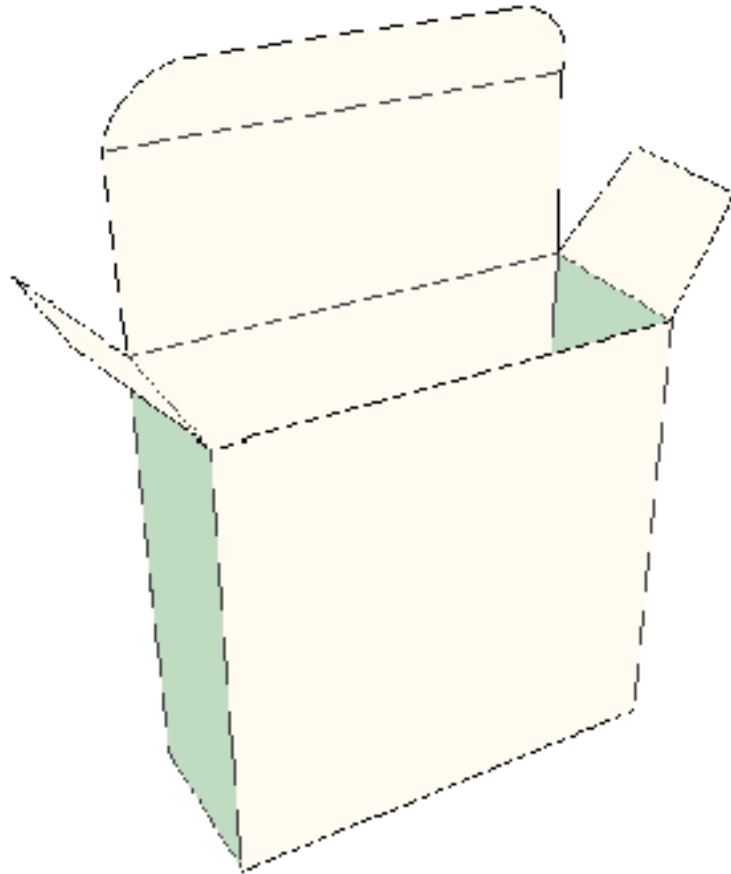


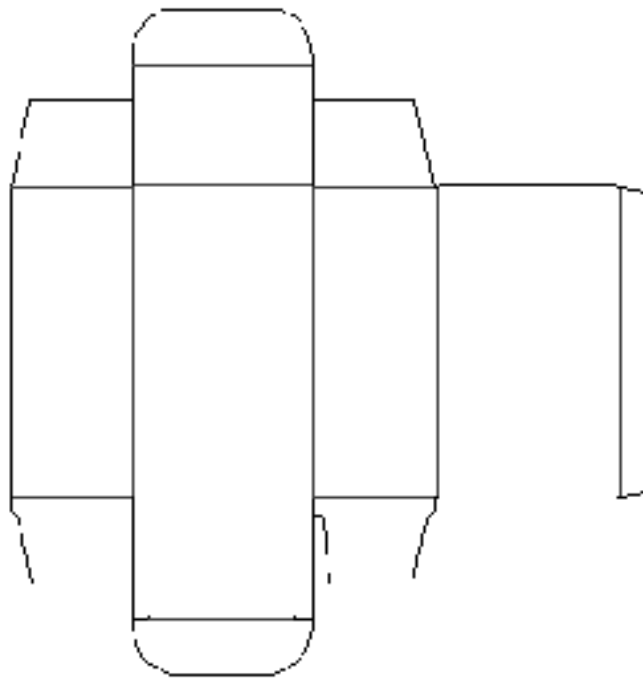


121.03.ARD - Reverse tuck top on 4th

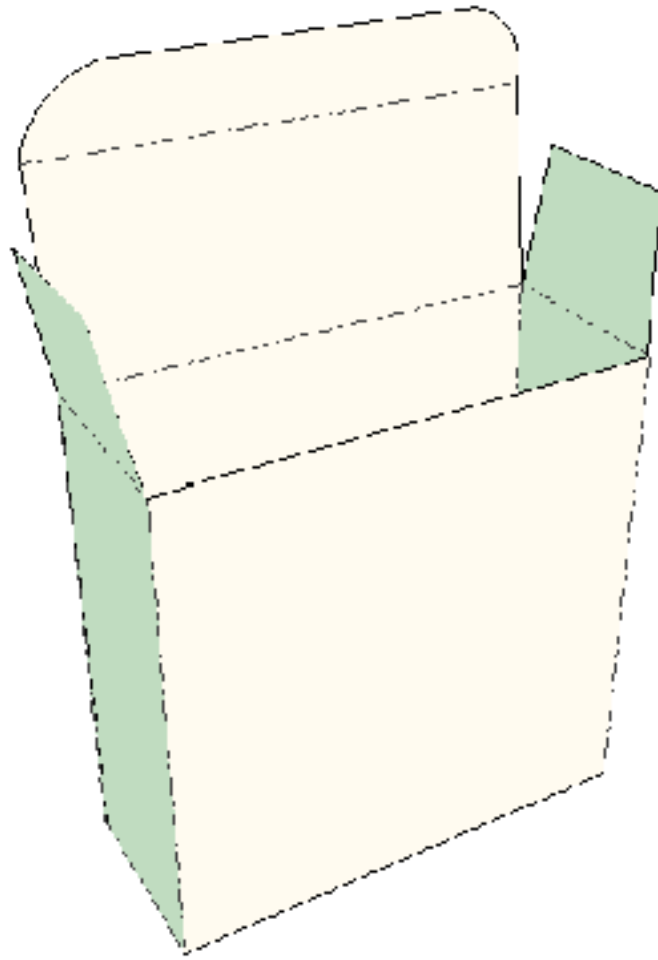


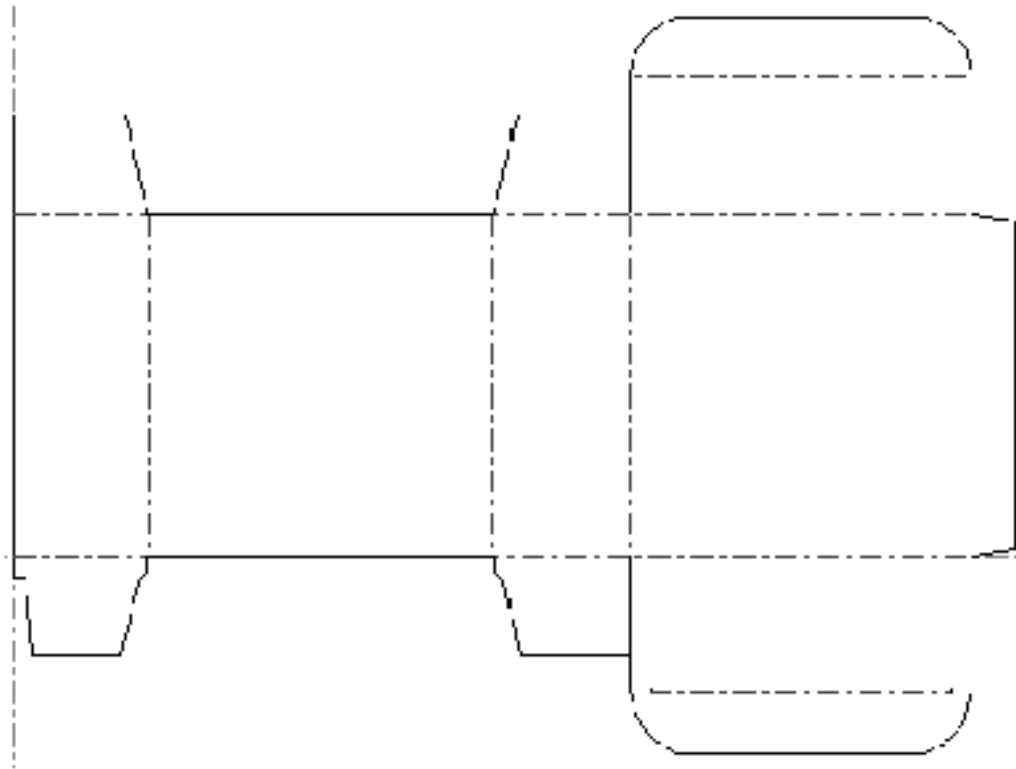
123.03.ARD - Straight tuck top on 2nd





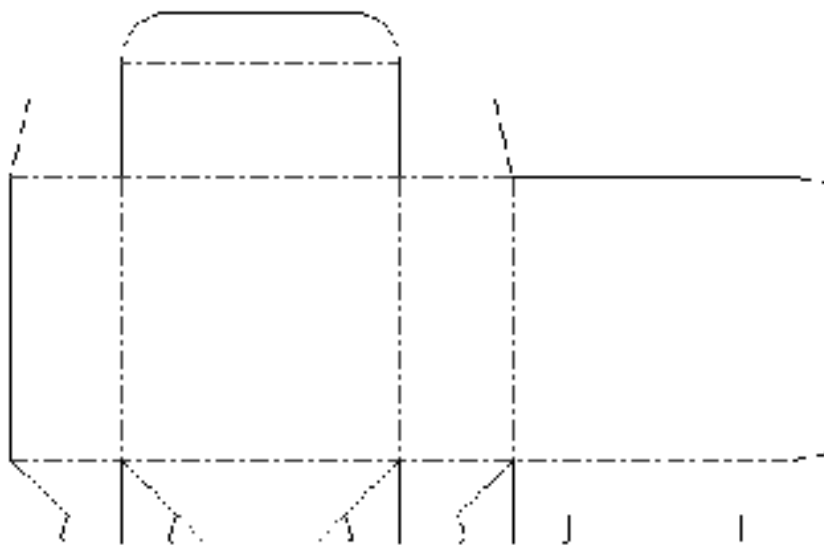
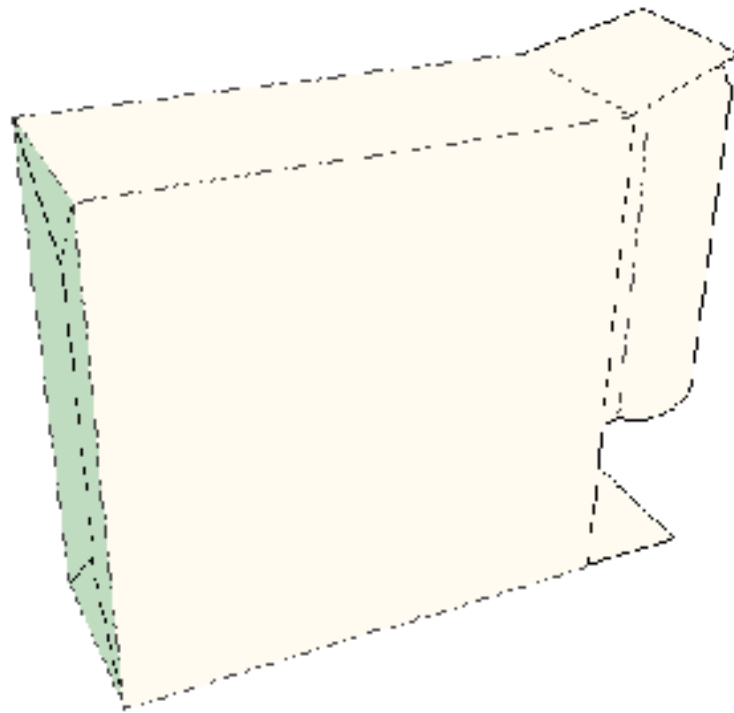
124.03.ARD - Straight tuck top on 4th



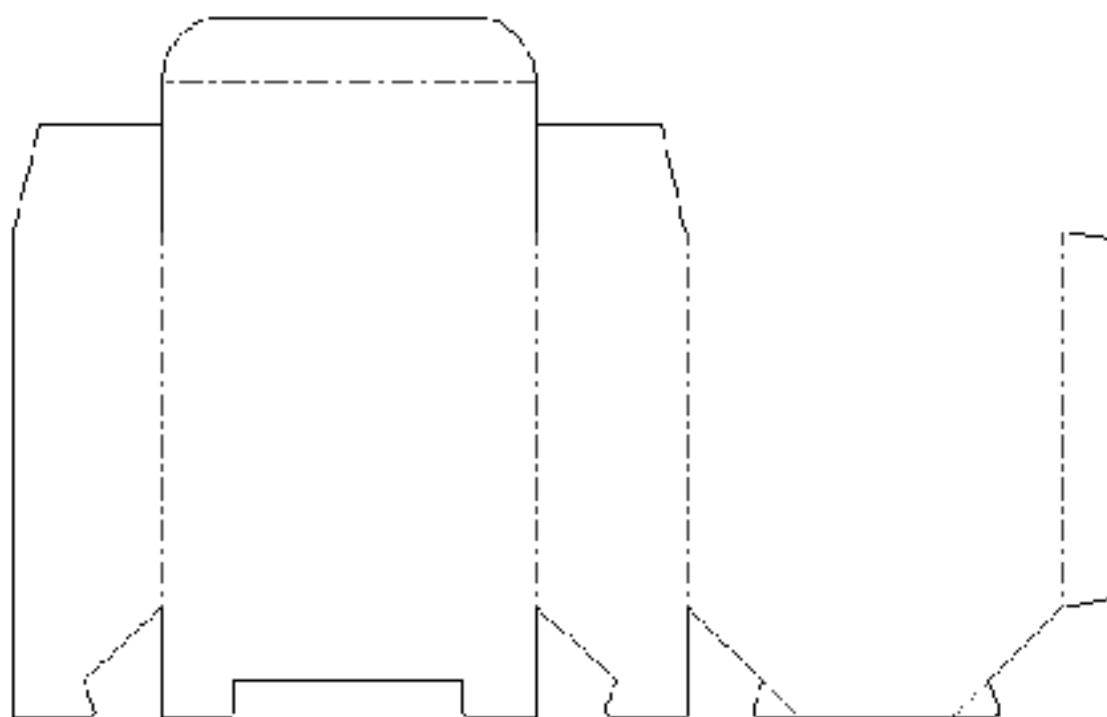
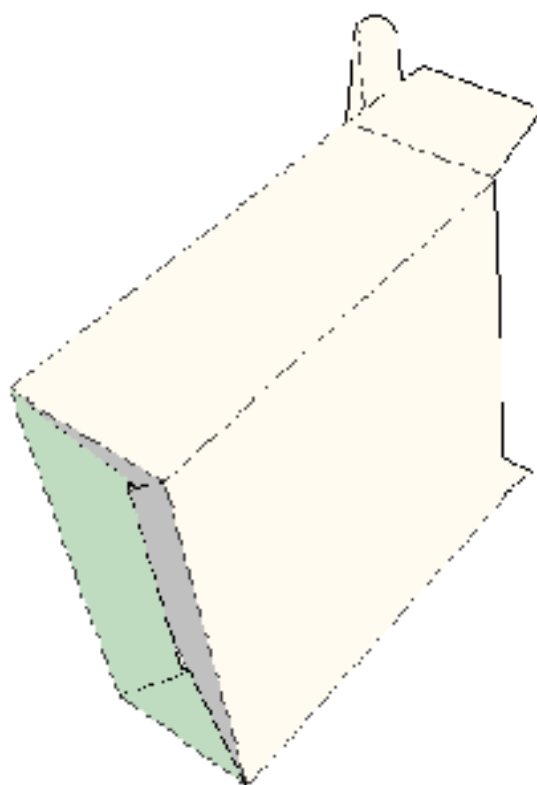


Friction tuck tops/Houghland bottom

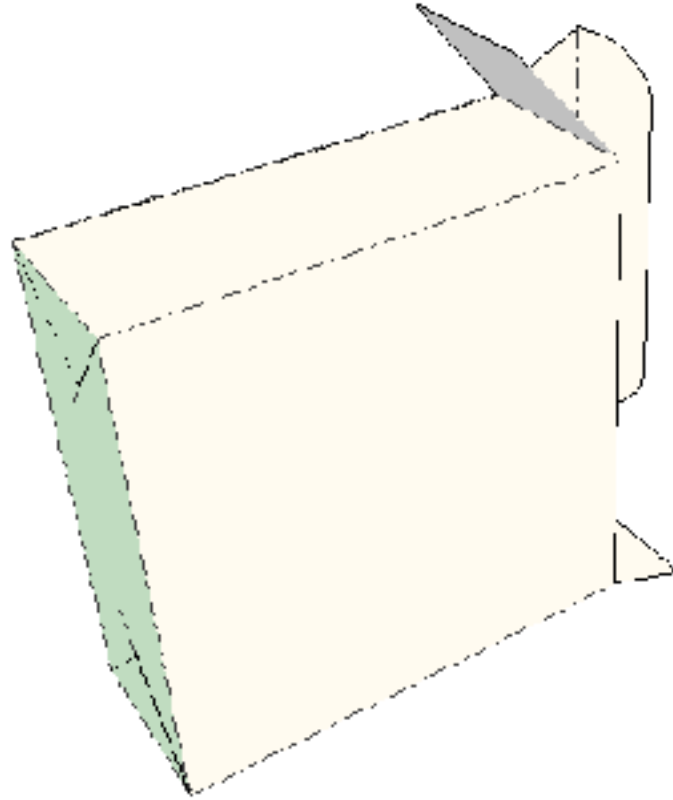
141.10.ARD - Tuck on 2nd - Tab on 2nd

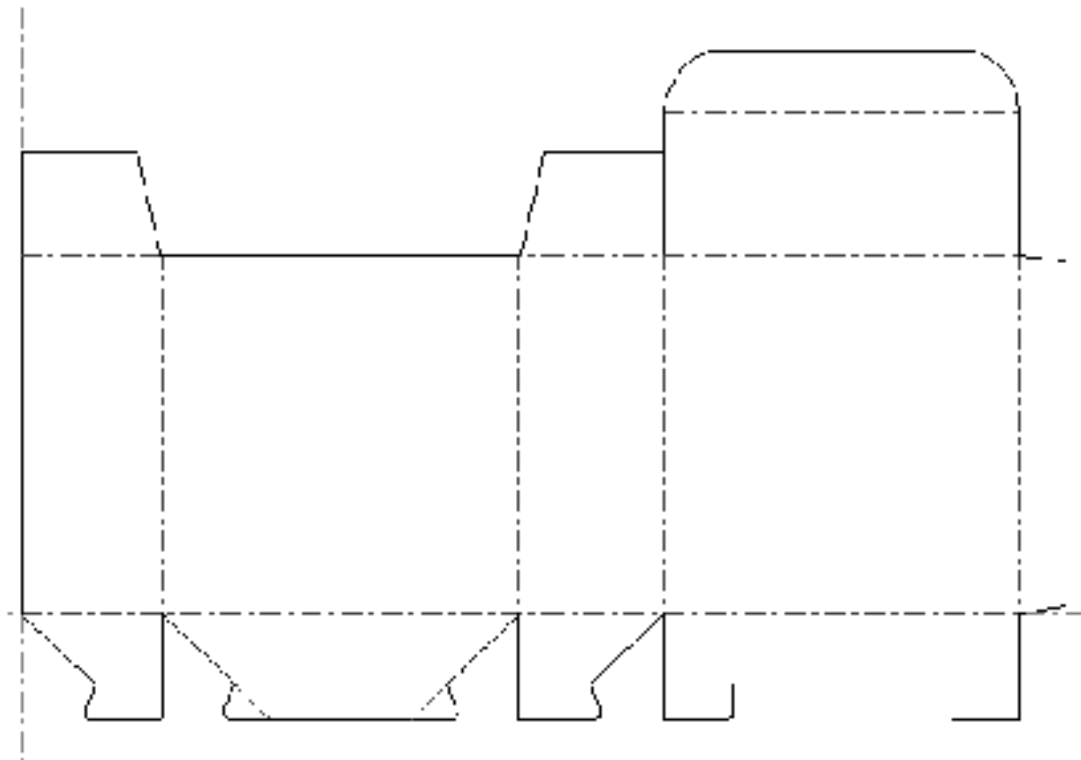


141.04.ARD - Tuck on 2nd - Tab on 4th

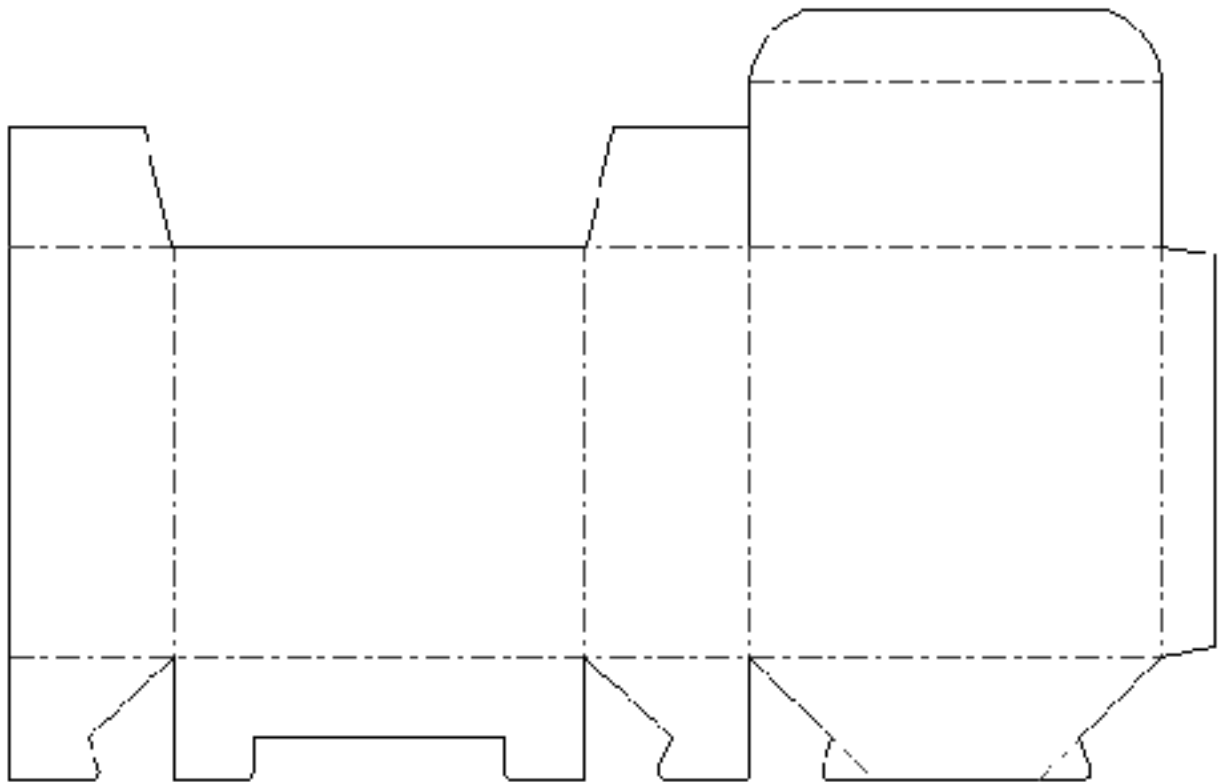
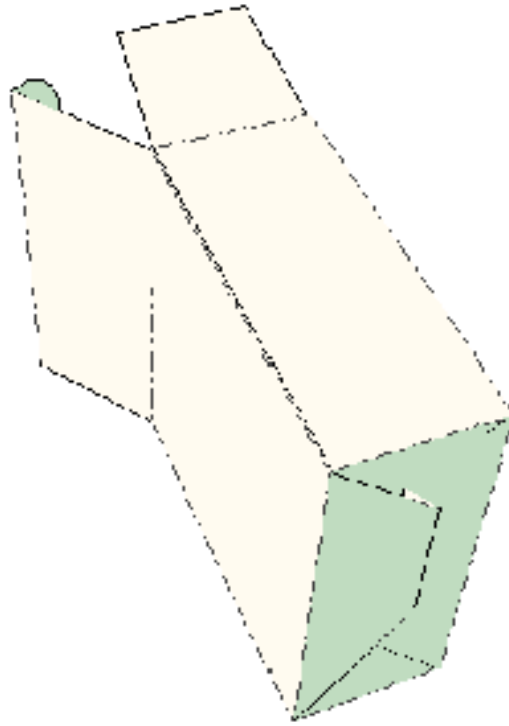


141.07.ARD - Tuck on 4th - Tab on 2nd



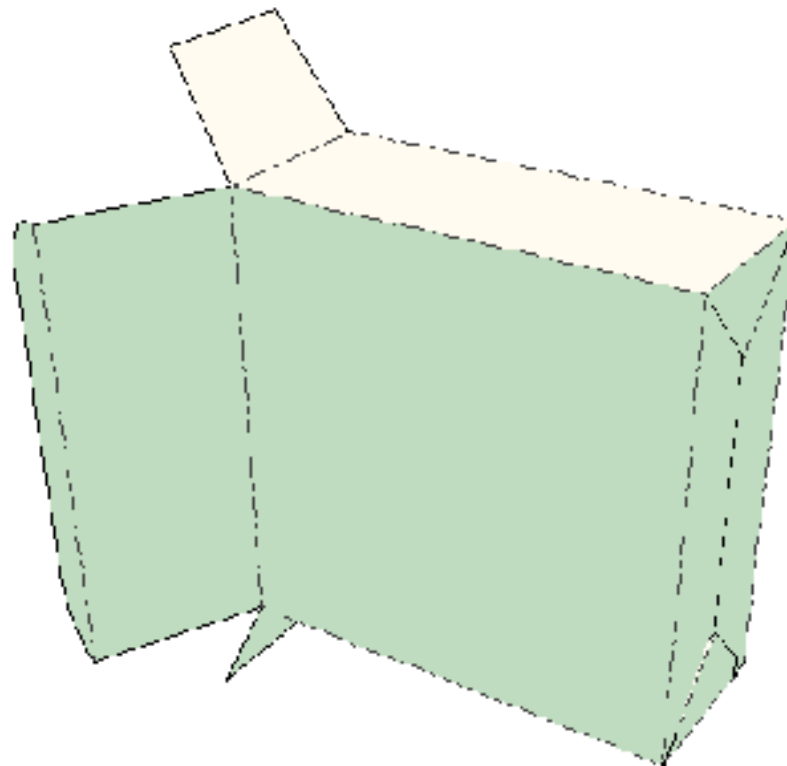


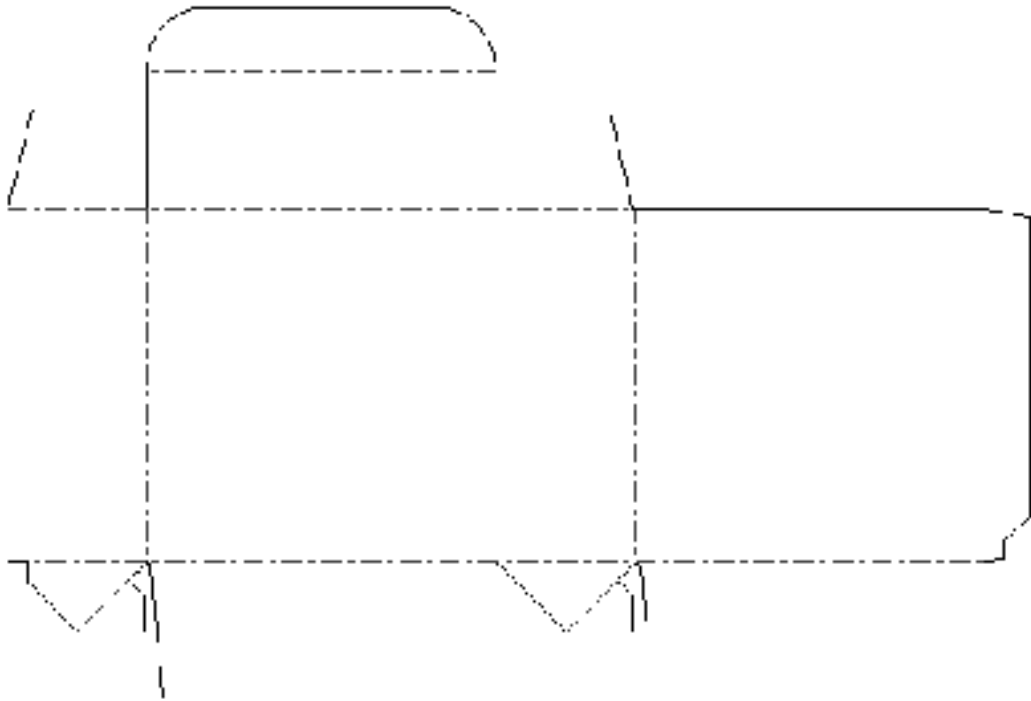
141.01.ARD - Tuck on 4th - Tab on 4th



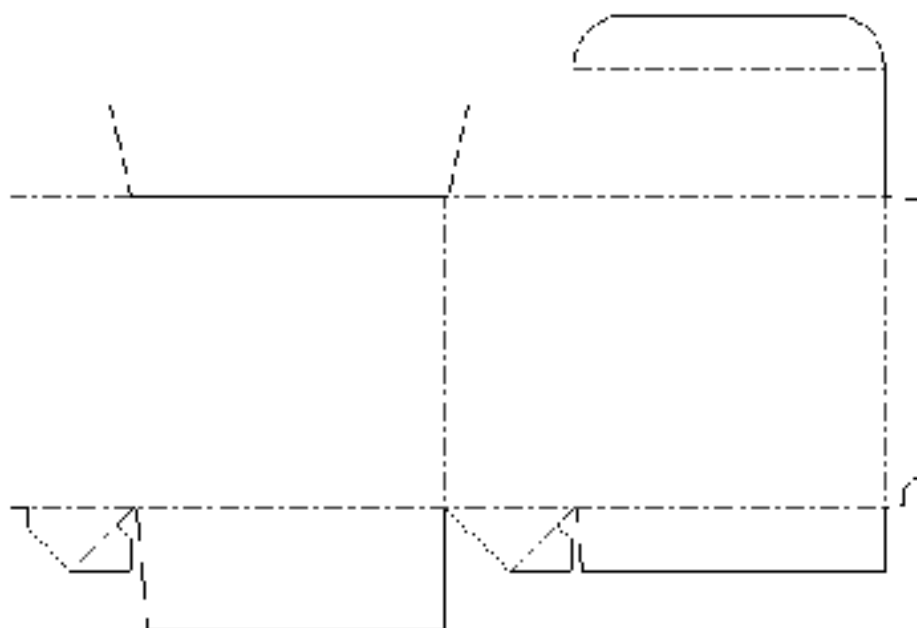
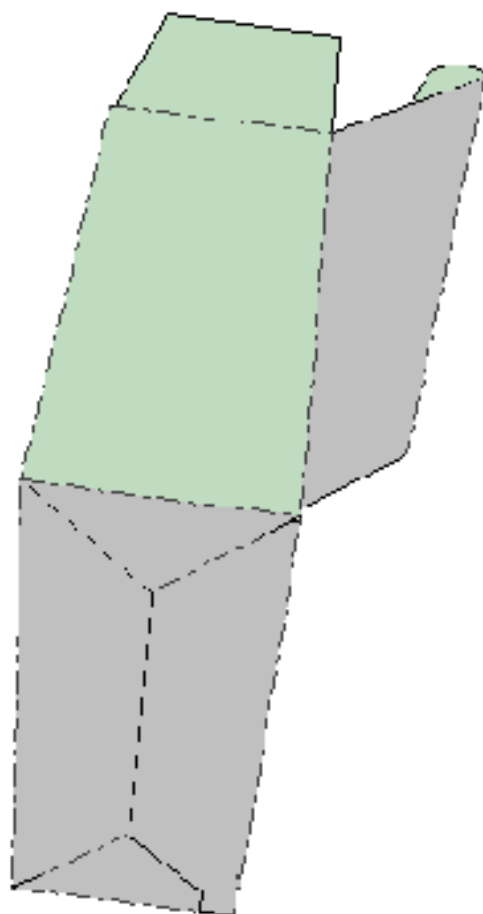
Friction tuck tops/Full flap auto bottom

151.04.ARD - Tuck top on 2nd



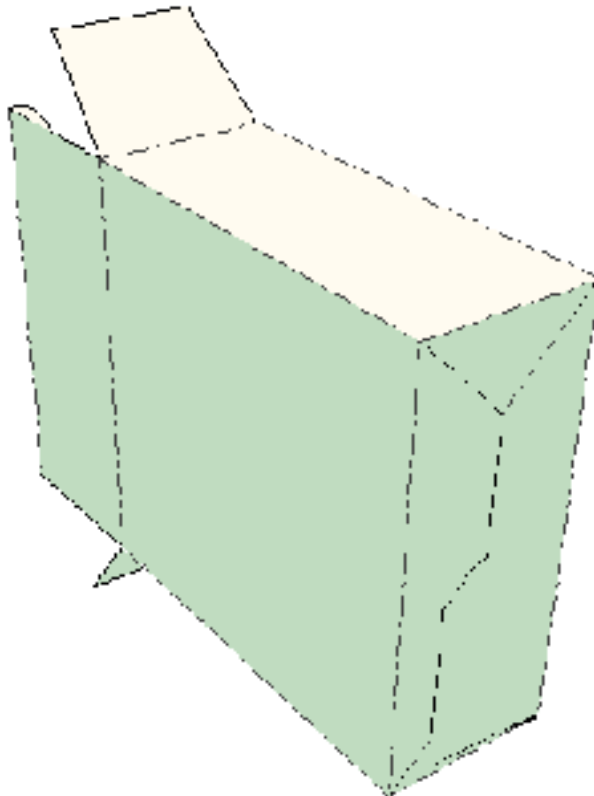


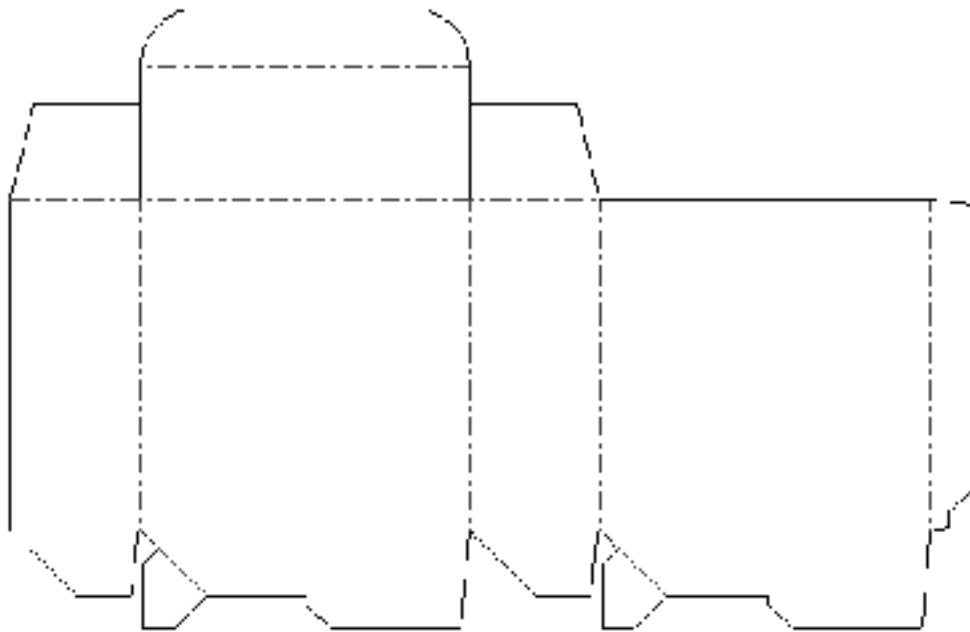
151.01.ARD - Tuck top on 4th



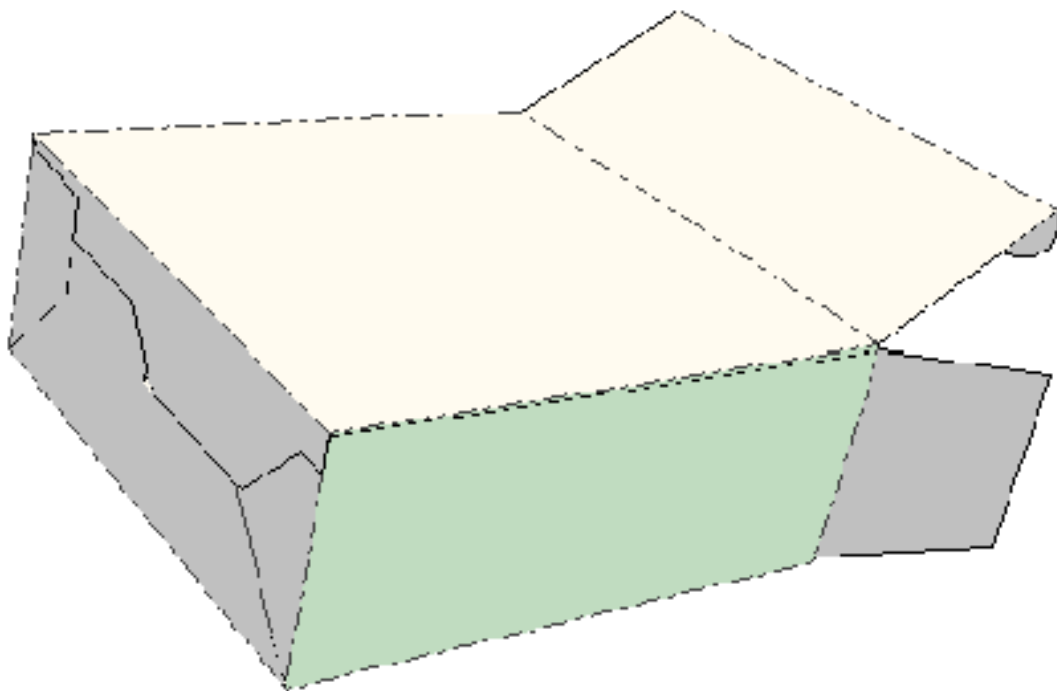
Friction tuck tops/Inturn auto bottom

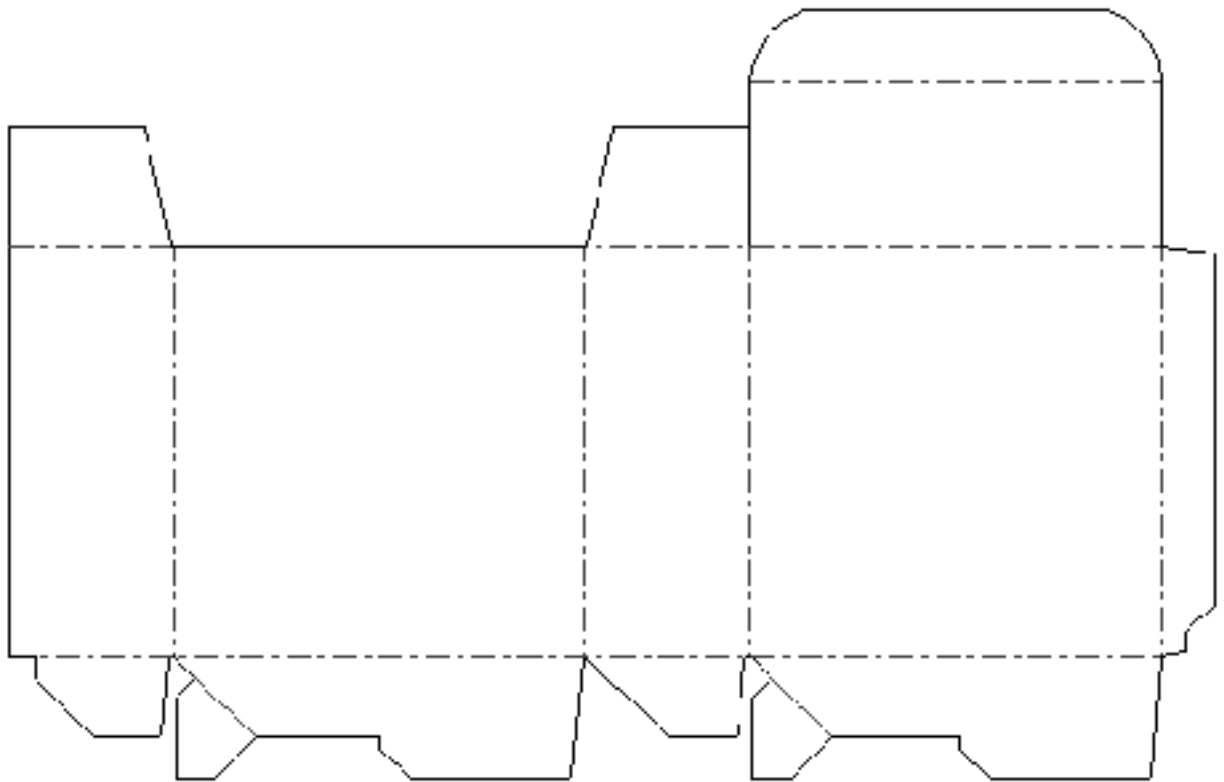
152.04.ARD - Tuck top on 2nd





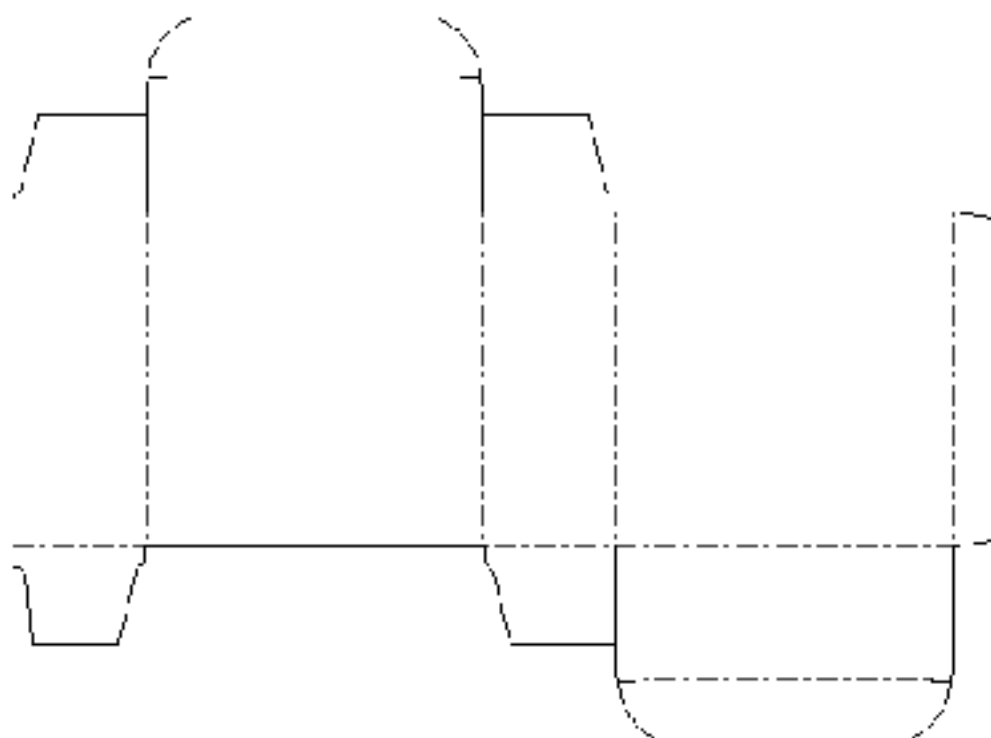
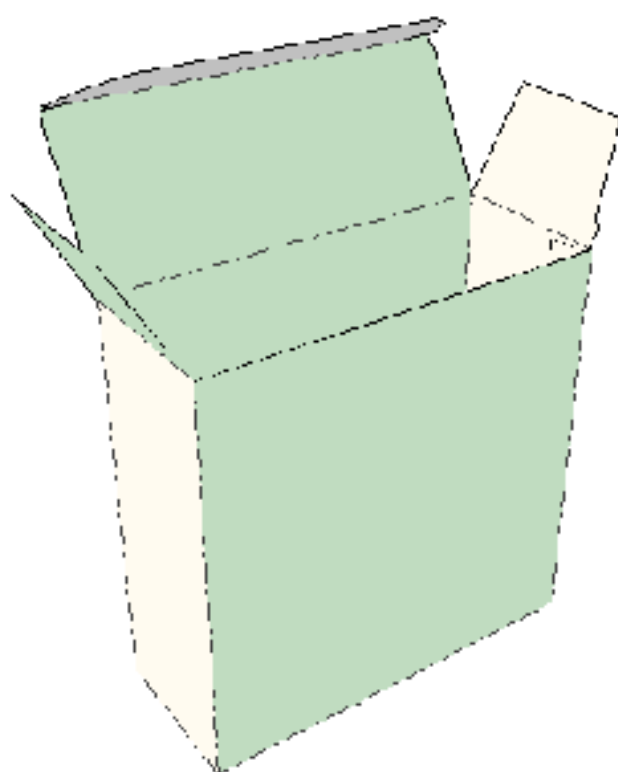
152.01.ARD - Tuck top on 4th



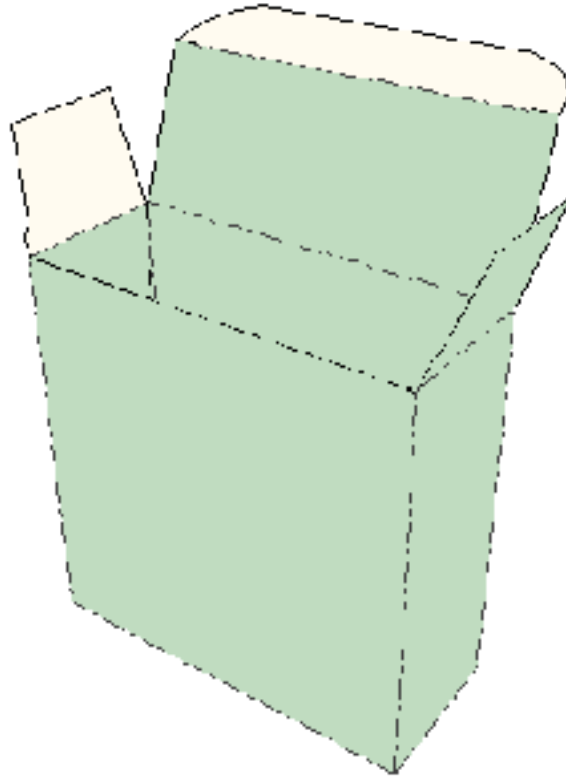


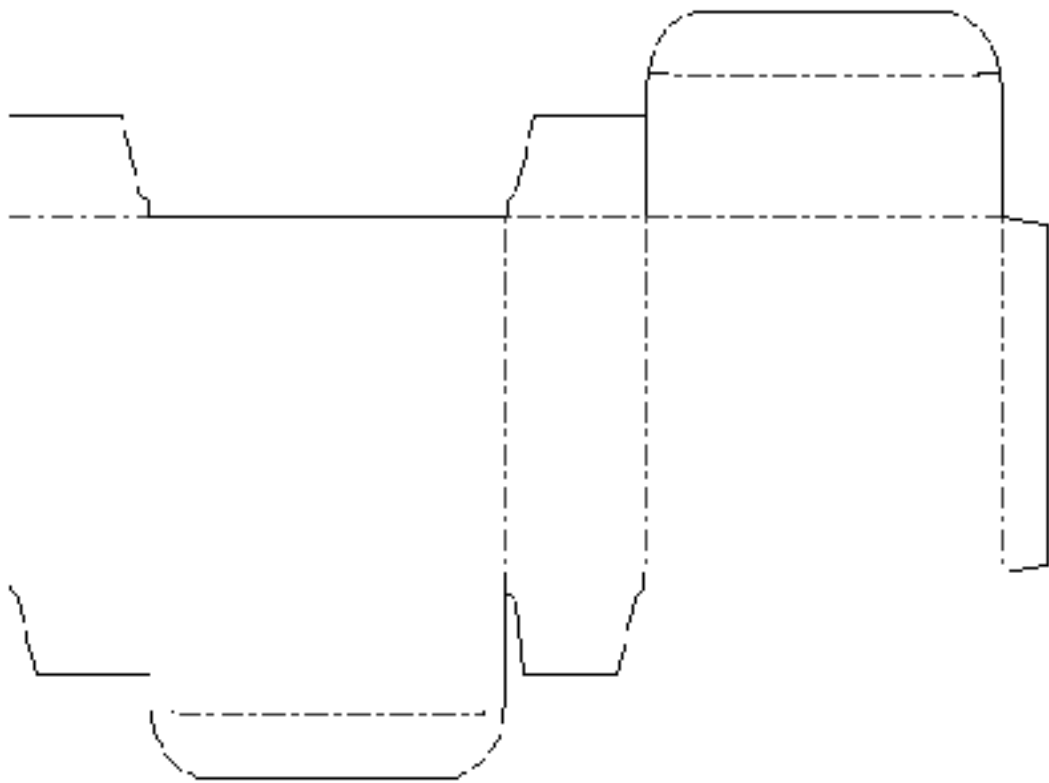
Unituck slit lock top and bottom

122.07.ARD - RT top tuck on 2nd

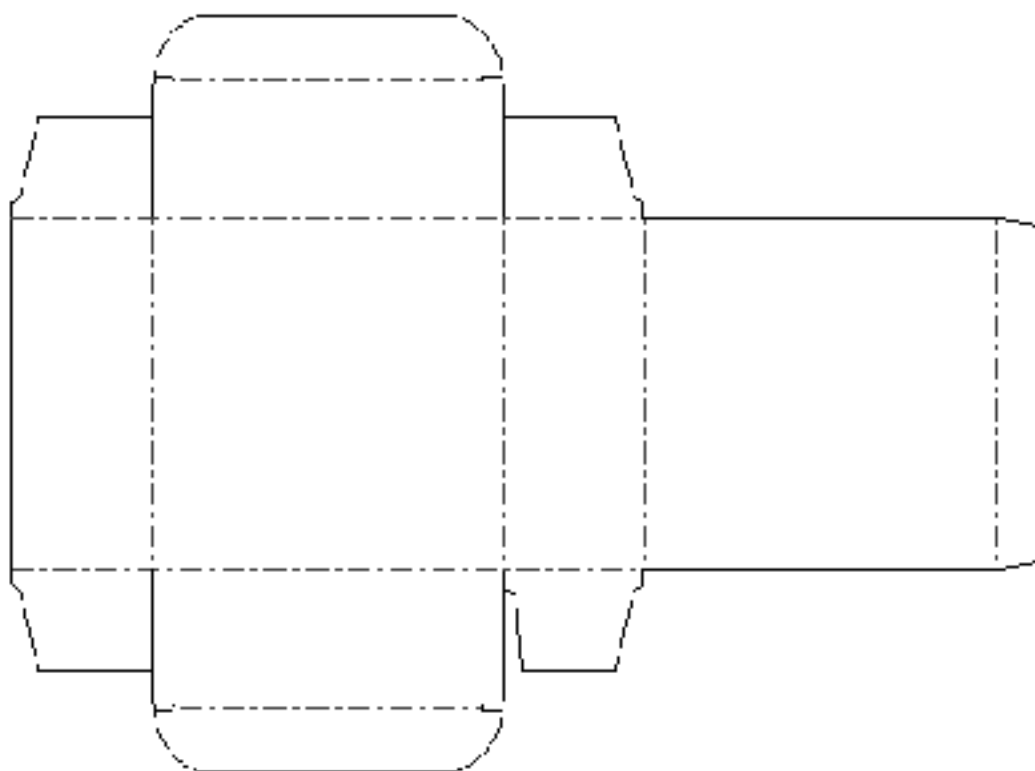
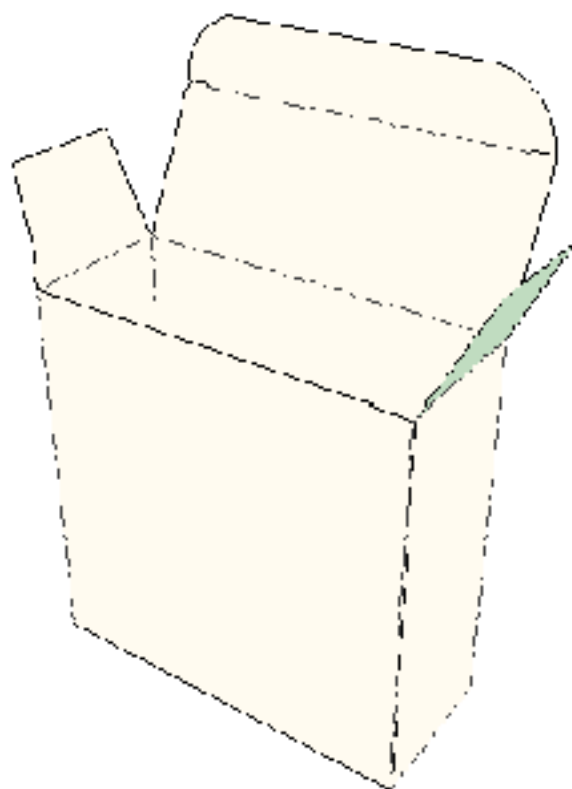


121.07.ARD - RT top tuck on 4th

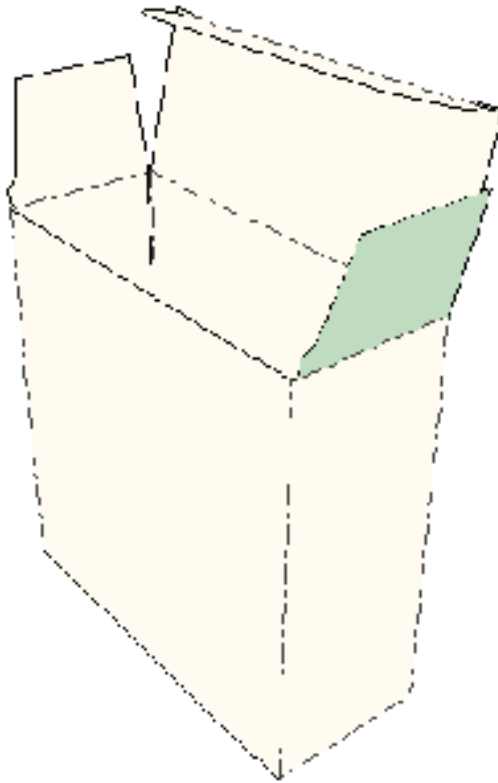


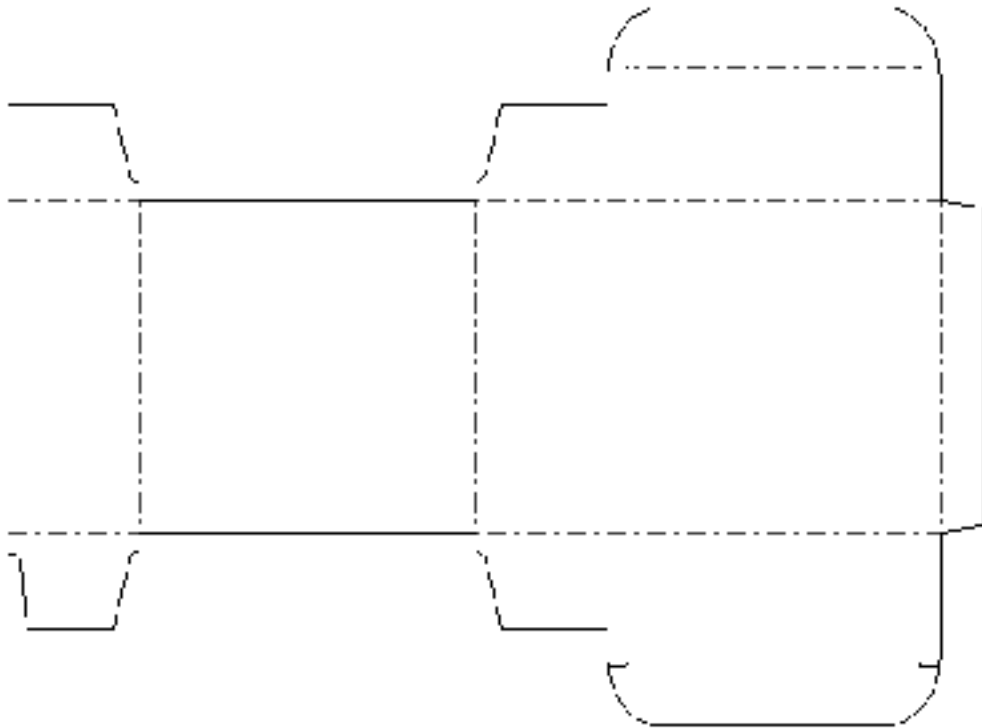


123.07.ARD - ST top tuck on 2nd



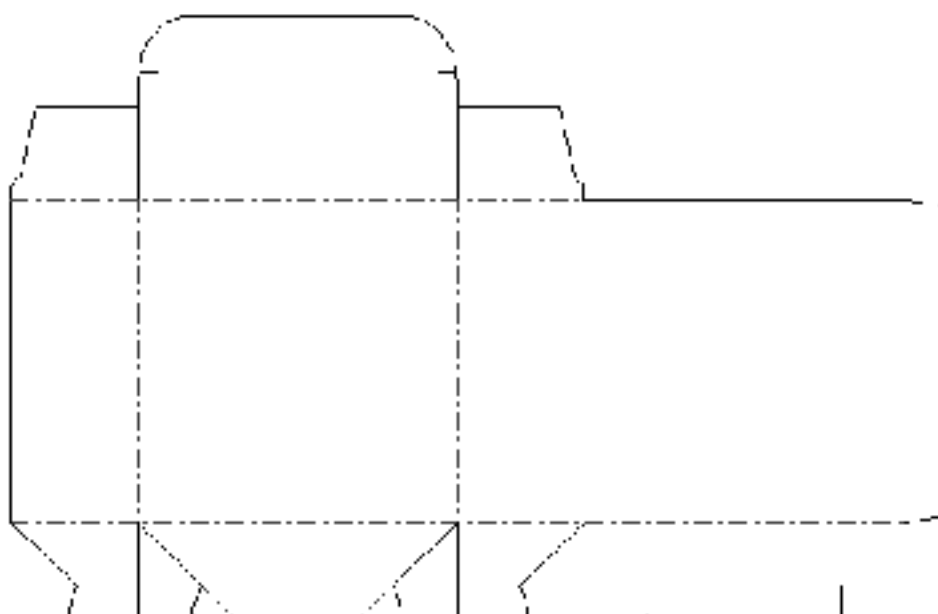
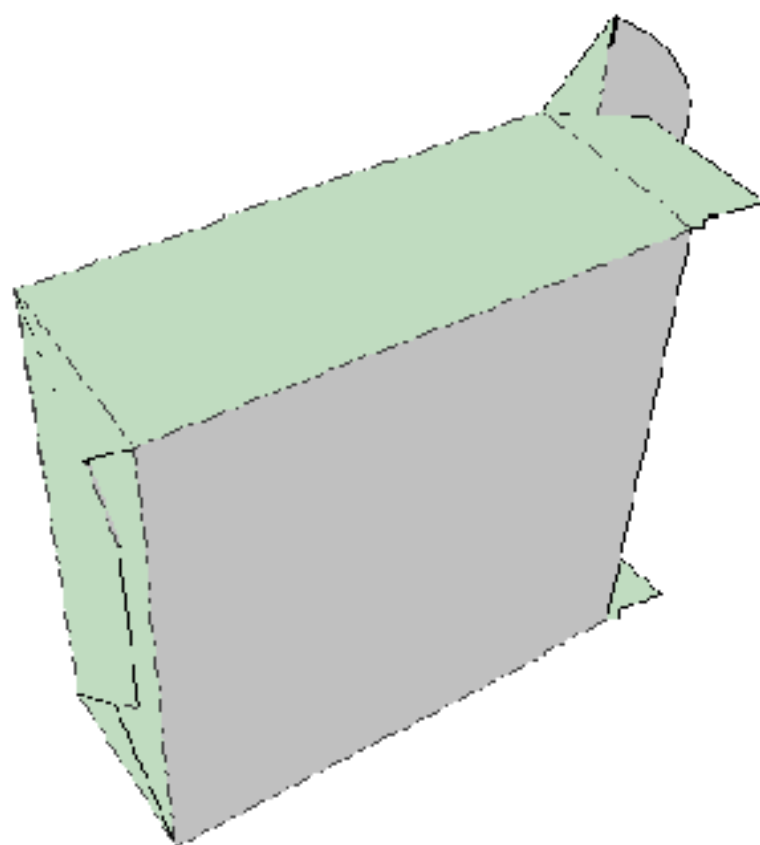
124.07.ARD - ST top tuck on 4th



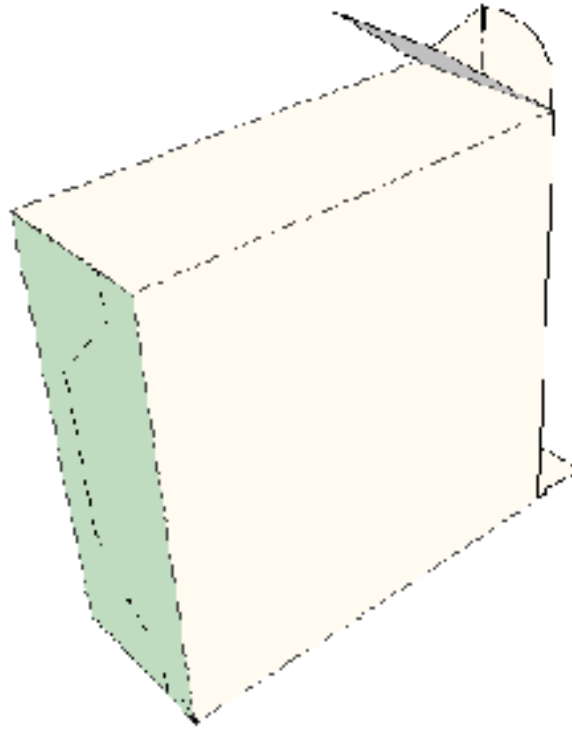


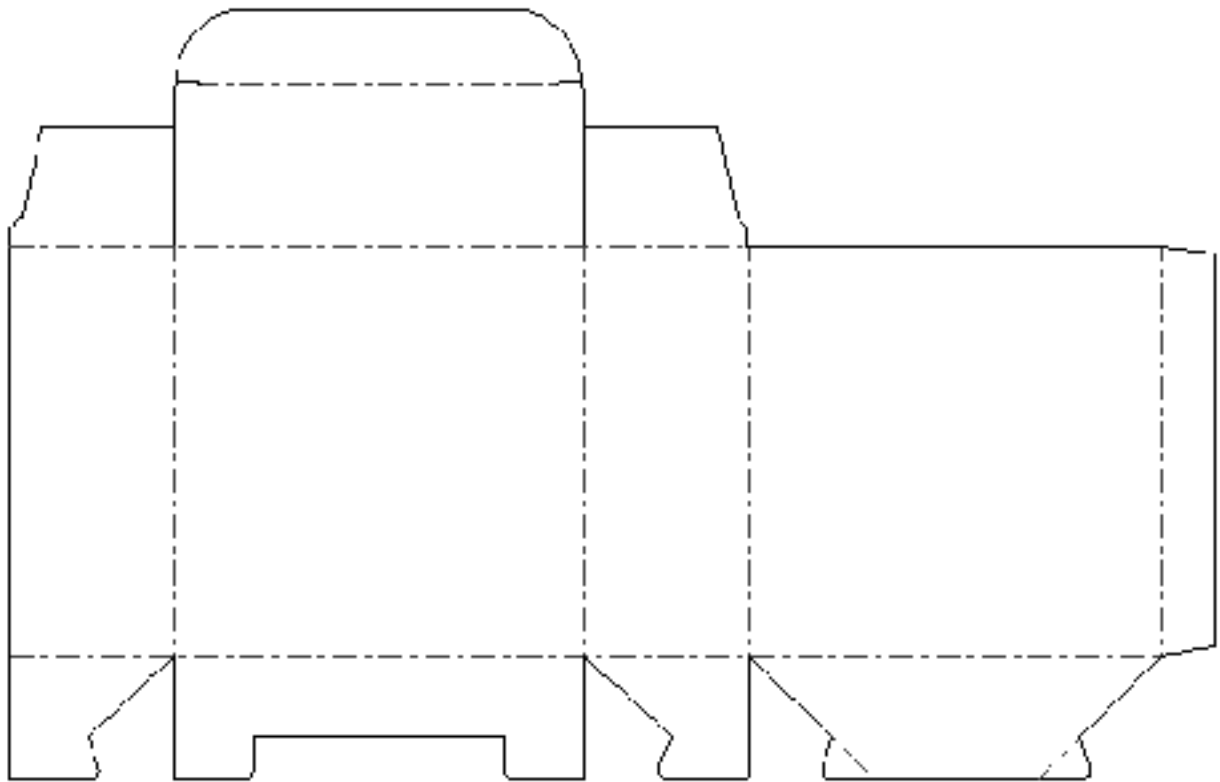
Unituck slit lock top/Houghland bottom

141.11.ARD - Tuck on 2nd - tab on 2nd

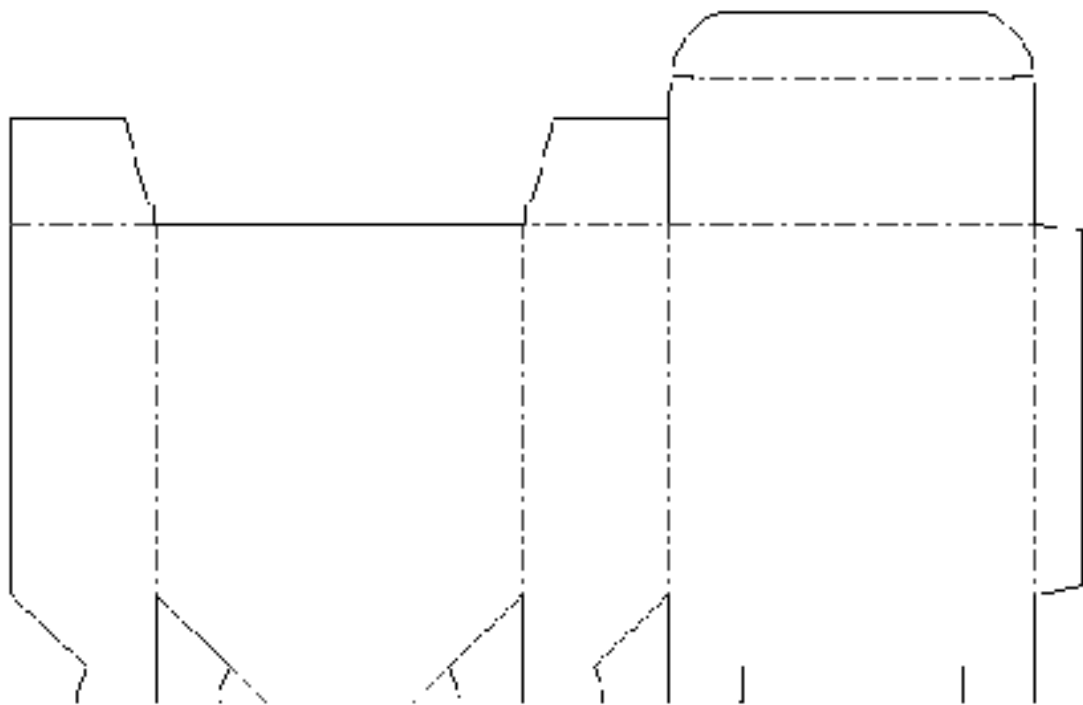
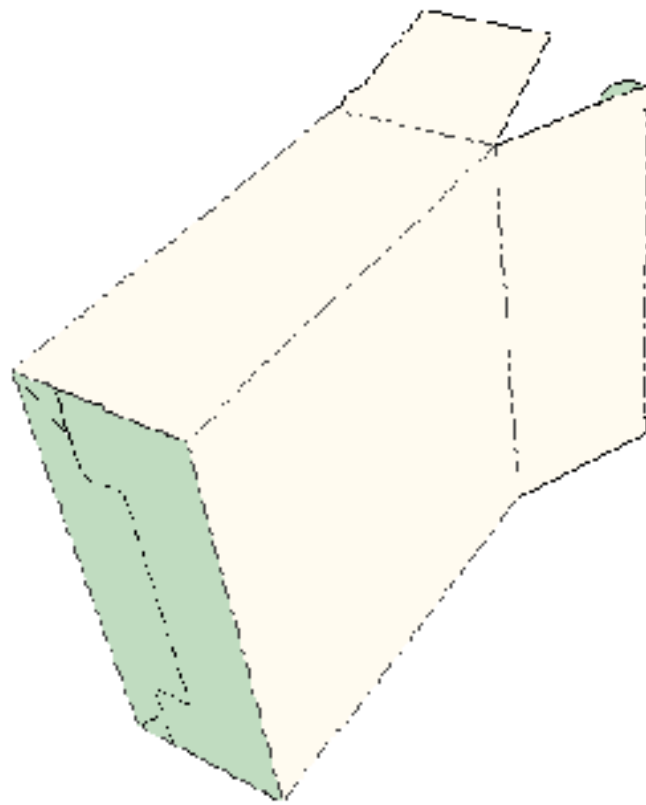


141.05.ARD - Tuck on 2nd - tab on 4th

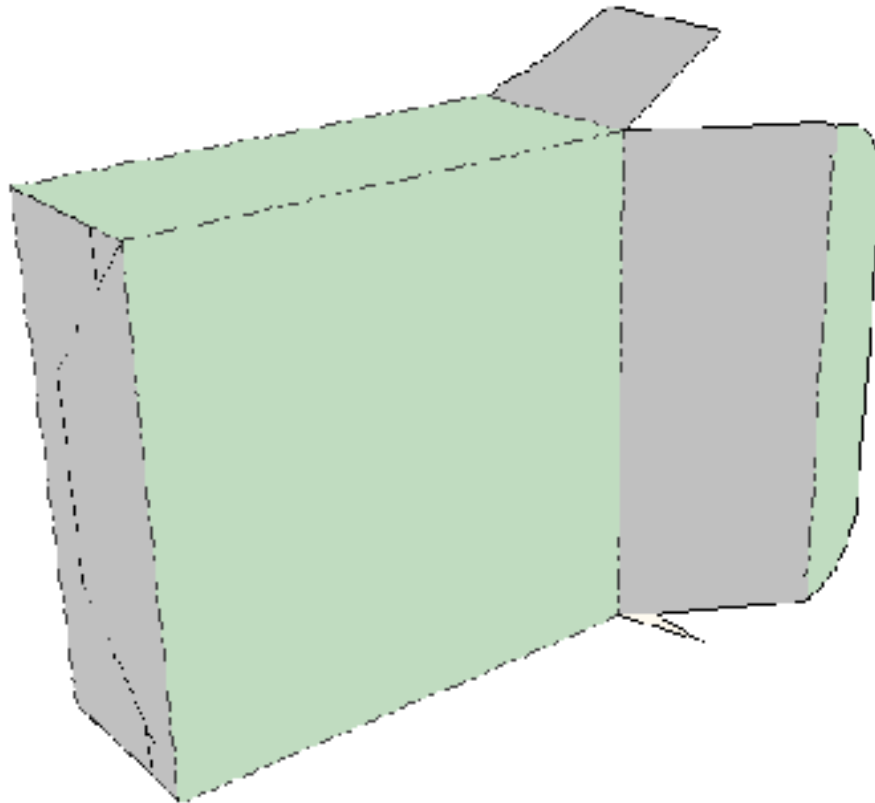


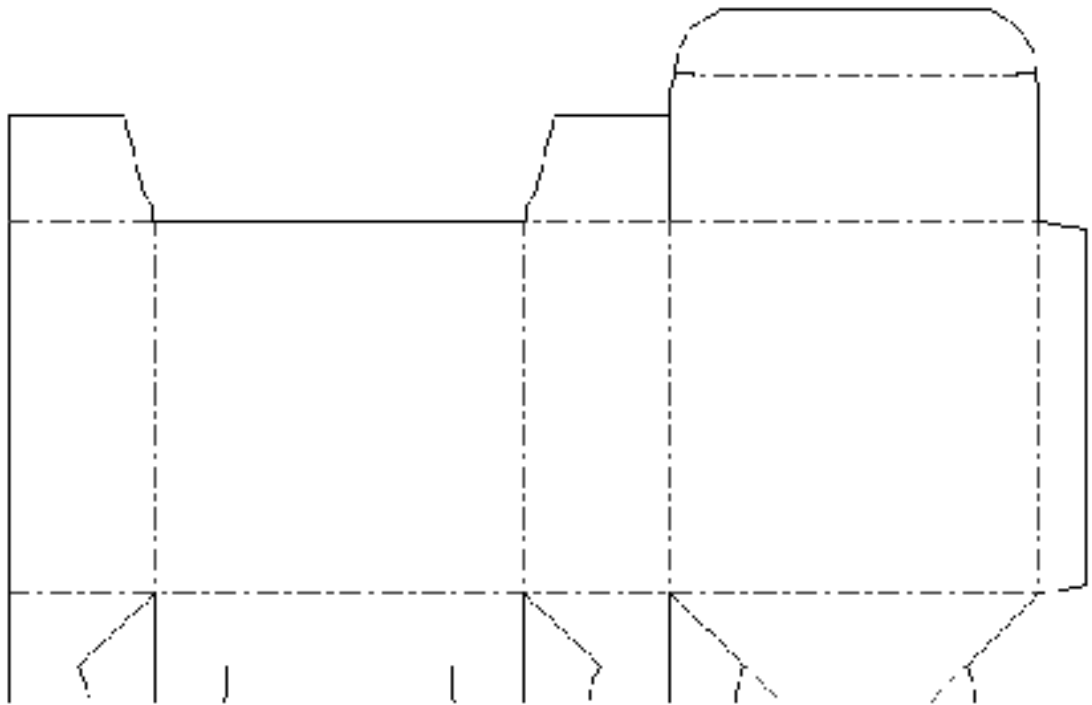


141.08.ARD - Tuck on 4th - tab on 2nd



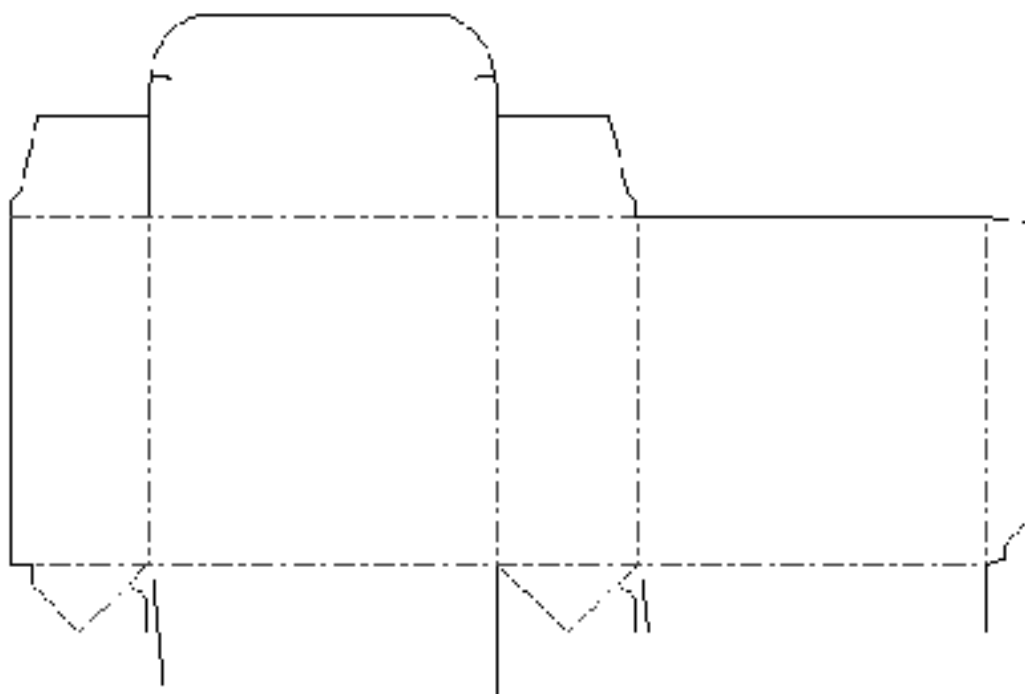
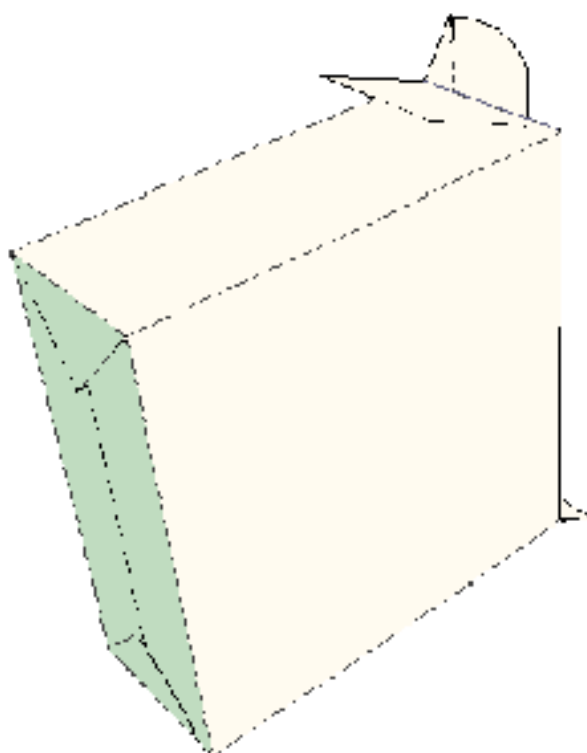
141.02.ARD - Tuck on 4th - tab on 4th



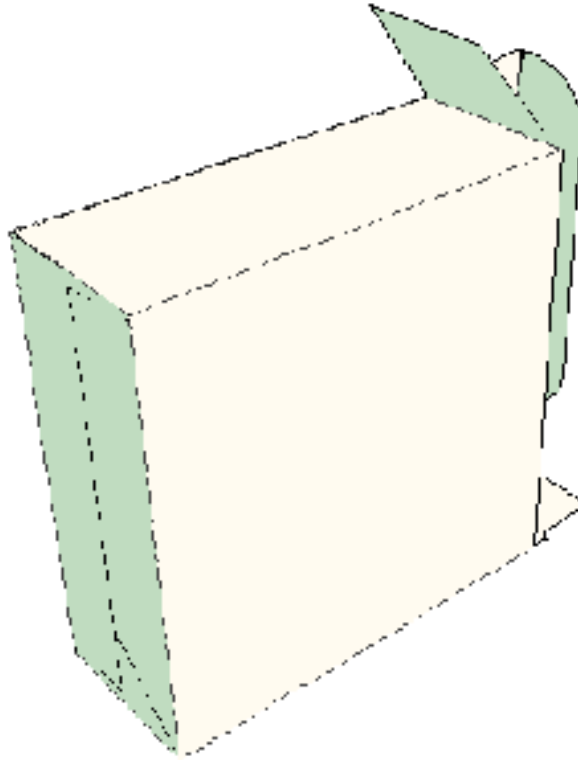


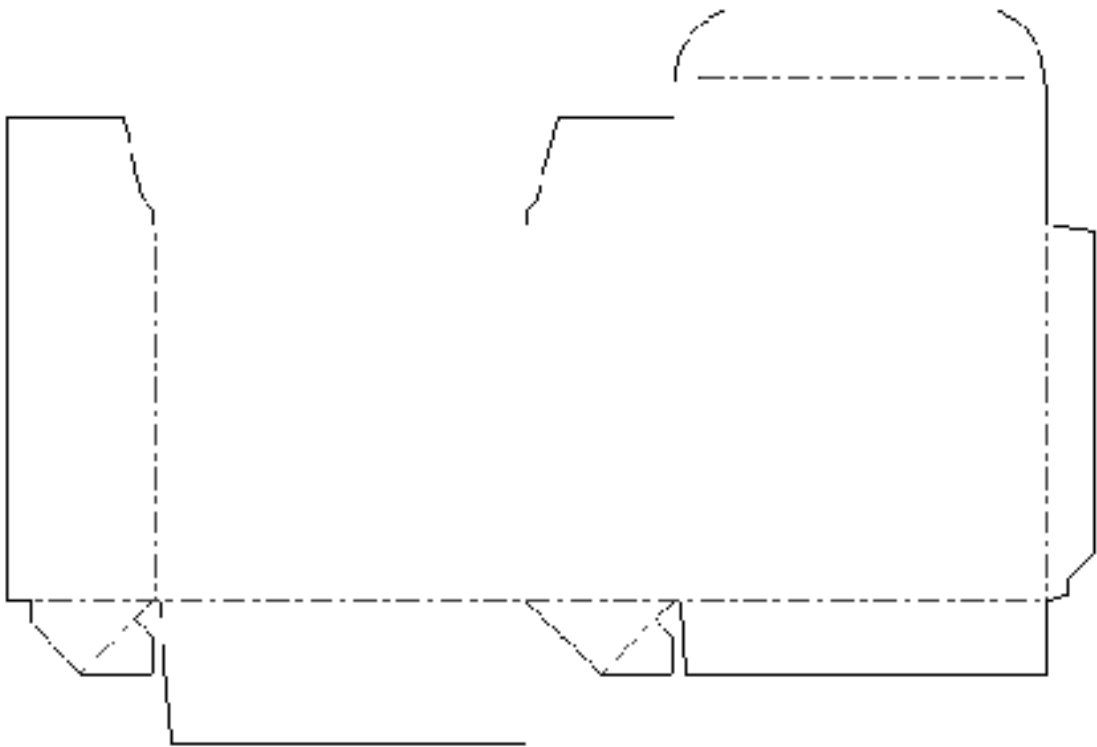
Unituck Slit Lock Top/Full flap auto bottom

151.05.ARD - Tuck top on 2nd



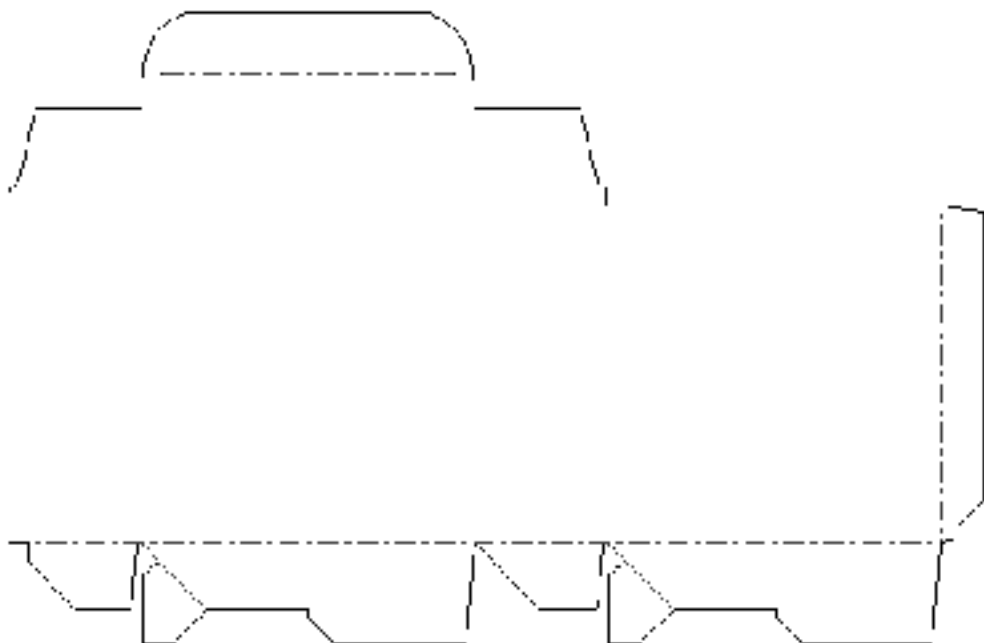
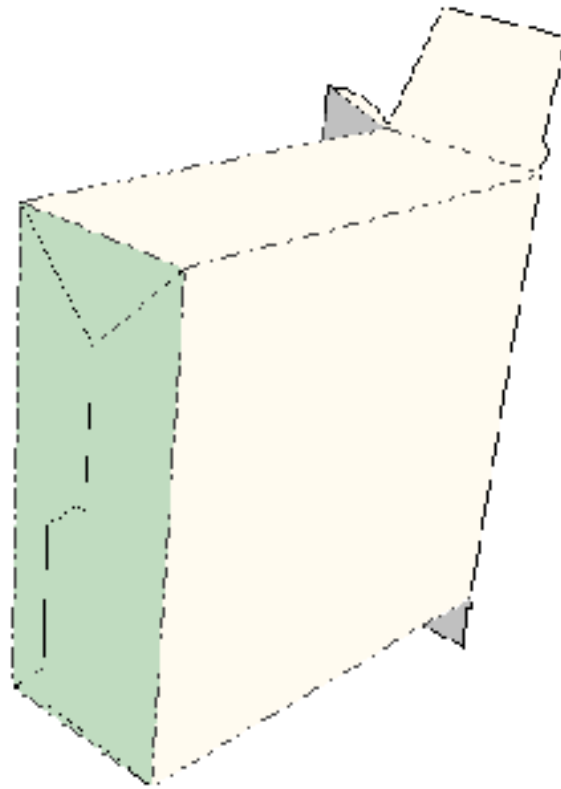
151.02.ARD - Tuck top on 4th



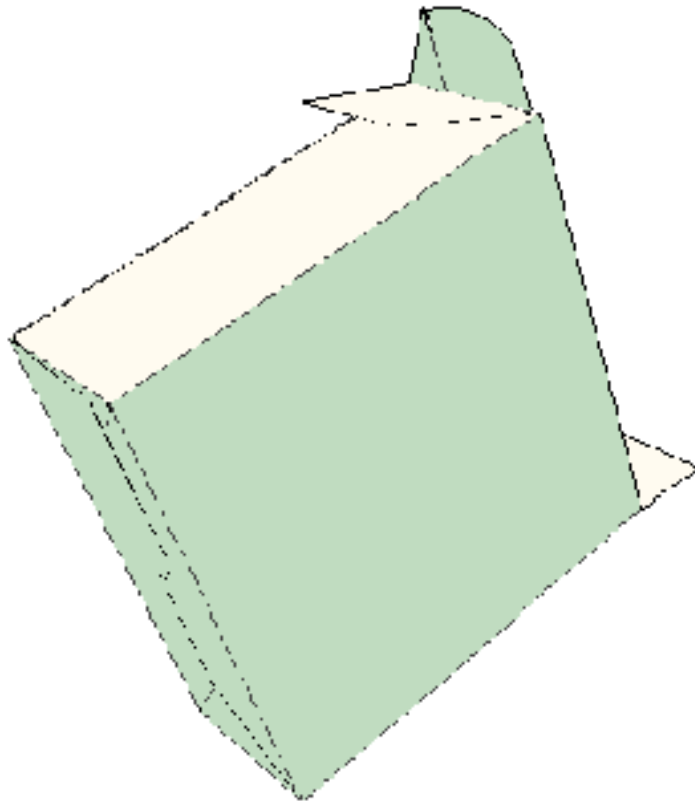


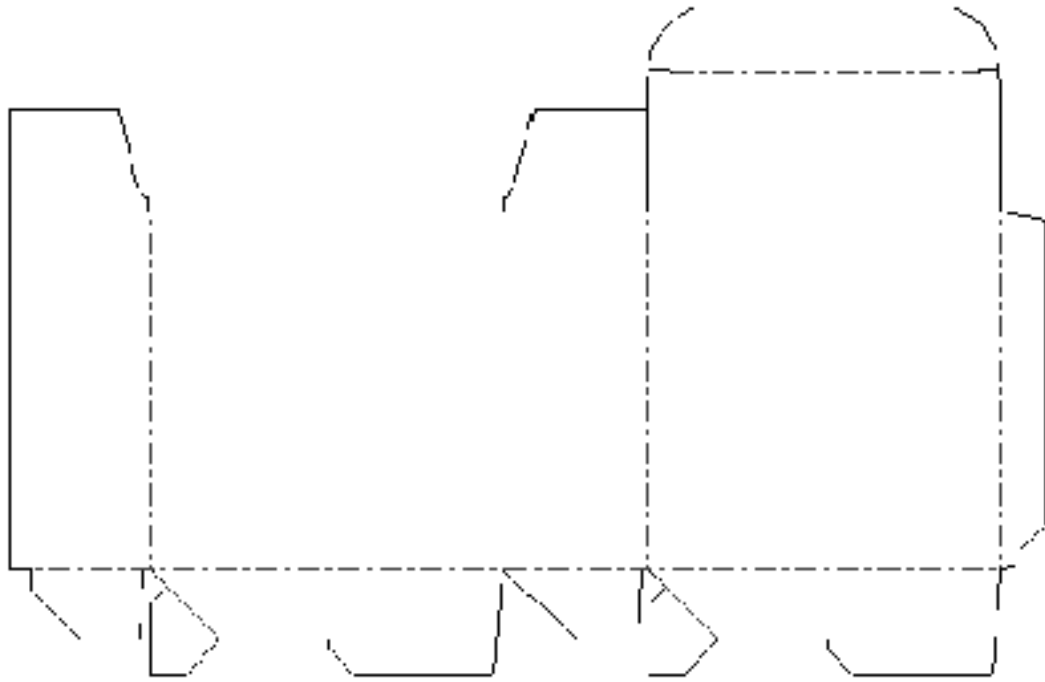
Unituck slit lock top/Inturn auto bottom

152.05.ARD Tuck top on 2nd



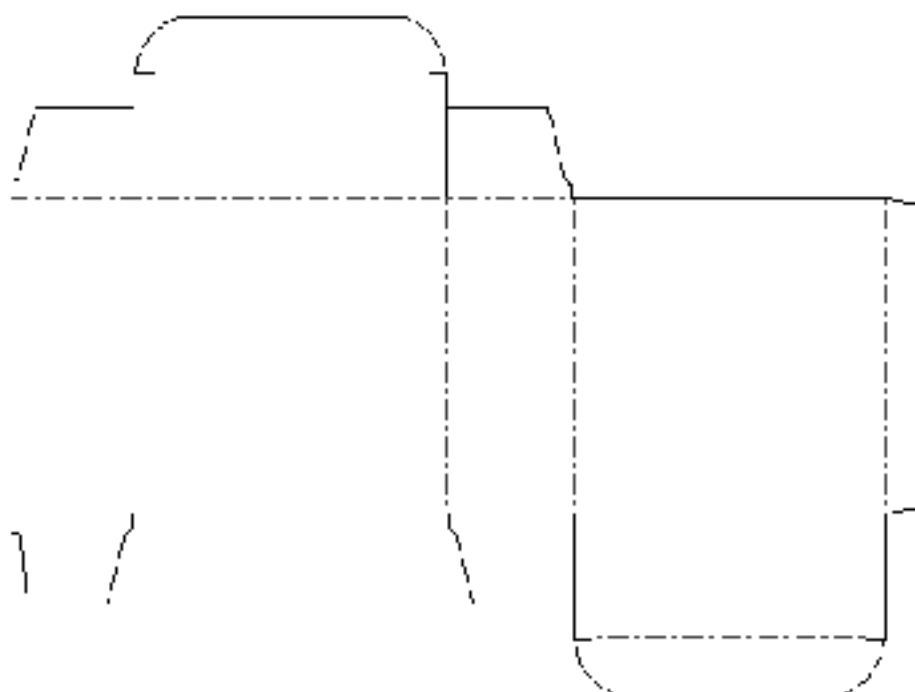
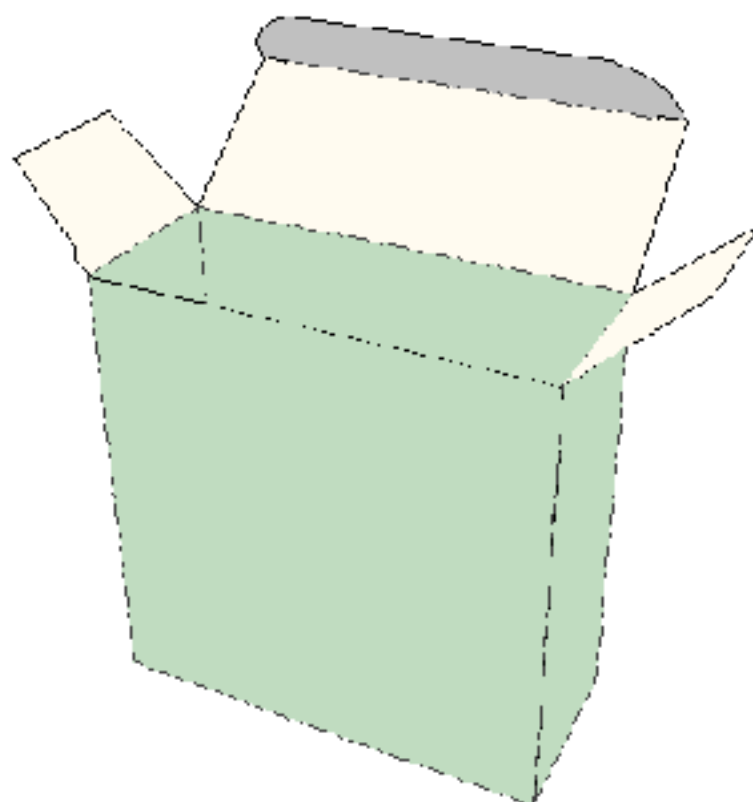
152.02.ARD - Tuck top on 4th



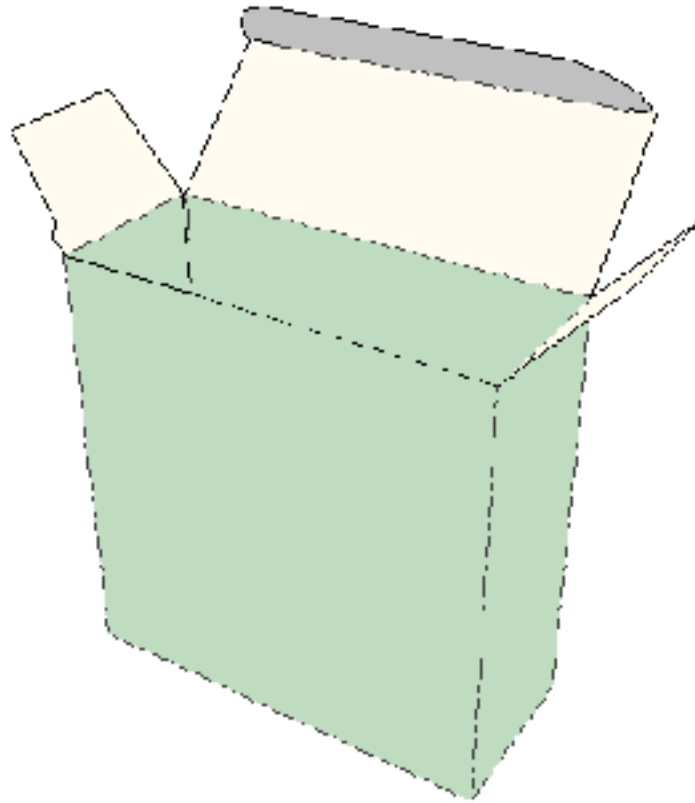


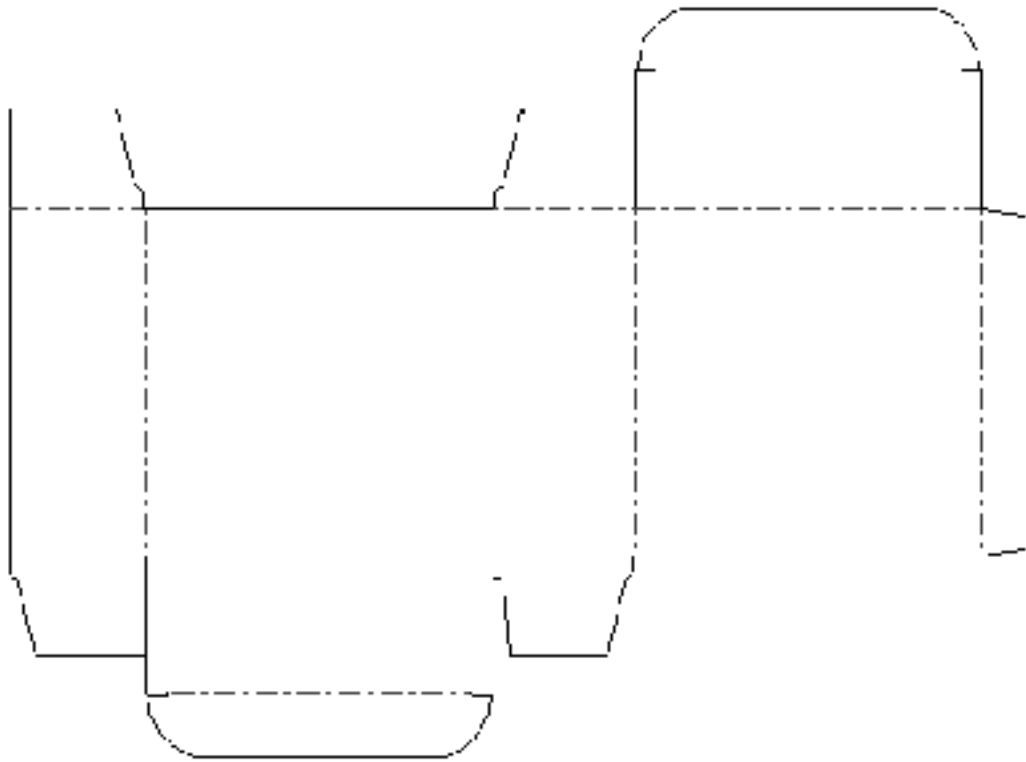
Standard slit lock top/Standard slit lock bottom

122.09.ARD - RT top tuck on 2nd

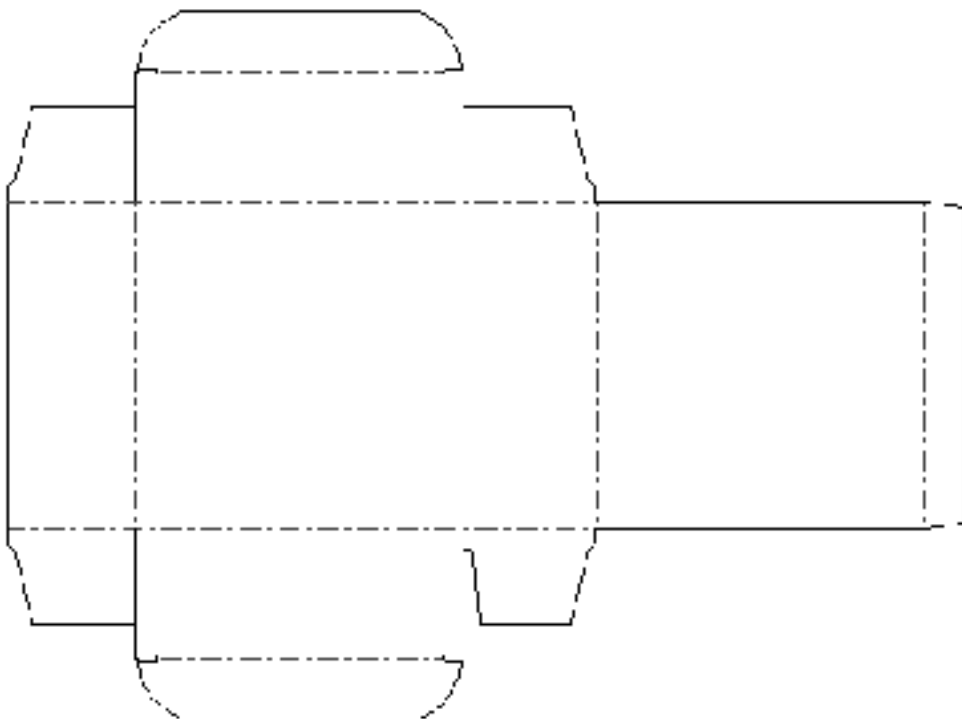
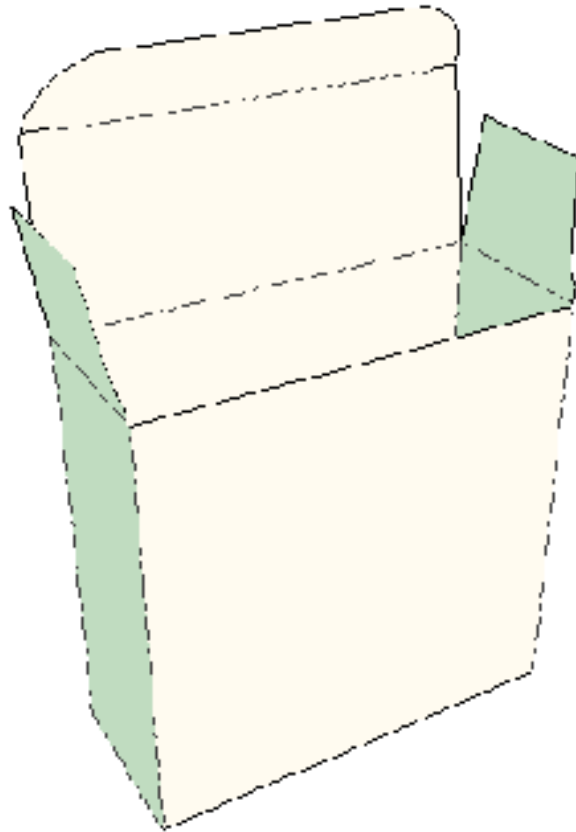


121.09.ARD - RT top tuck on 4th

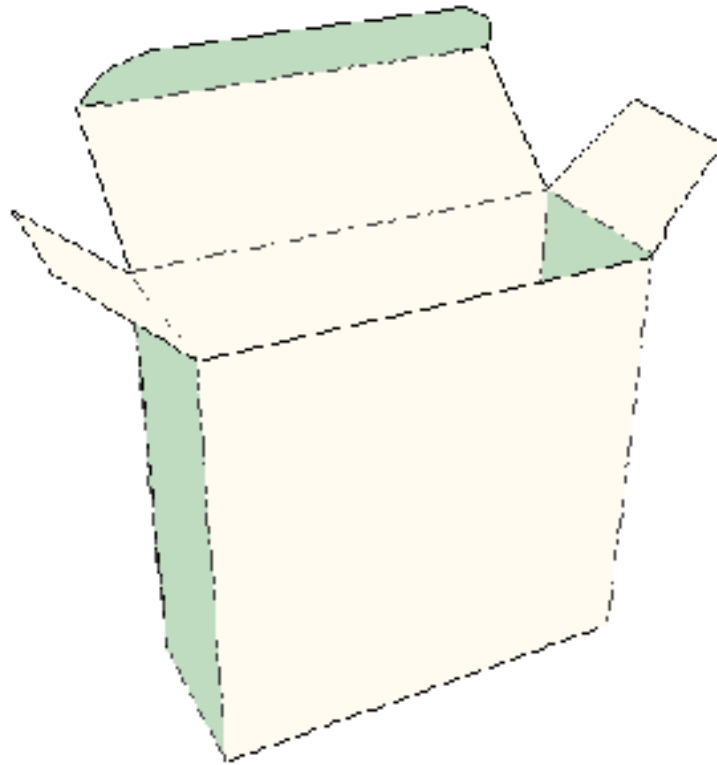


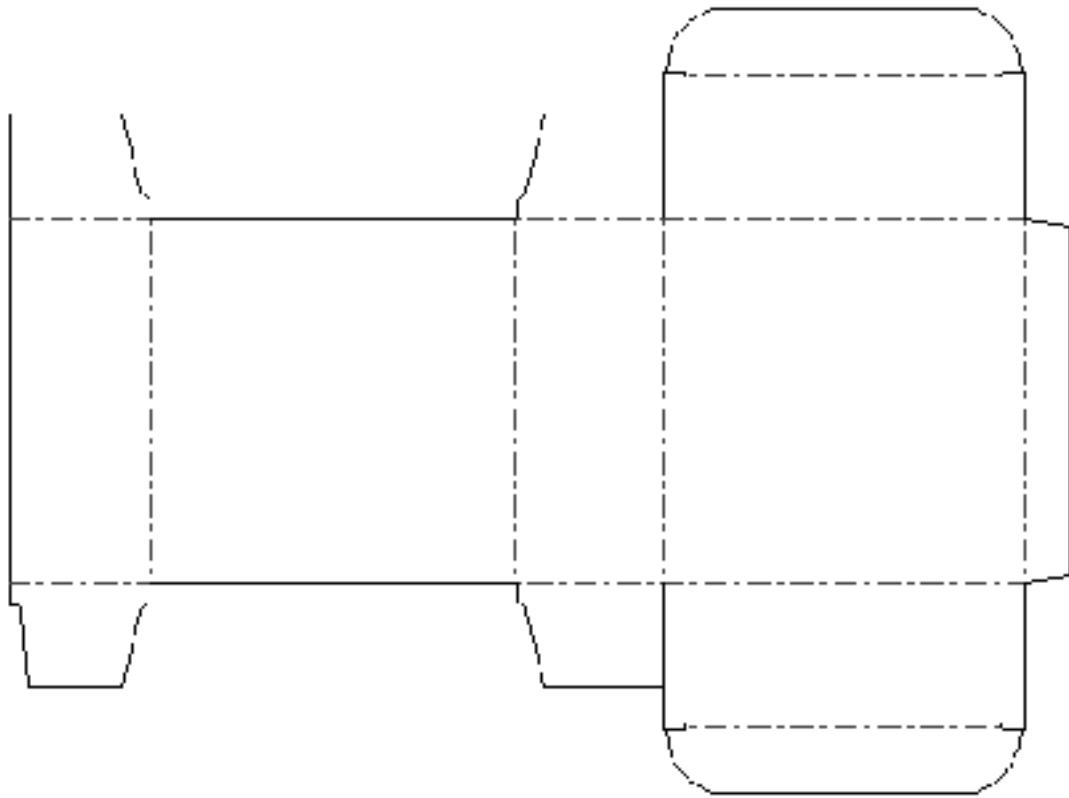


123.09.ARD - ST top tuck on 2nd



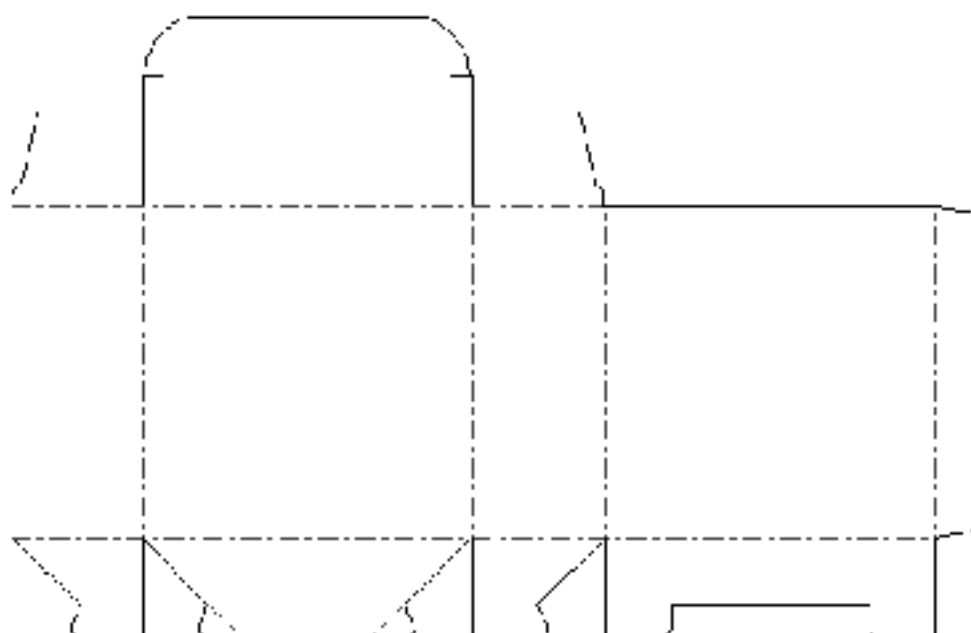
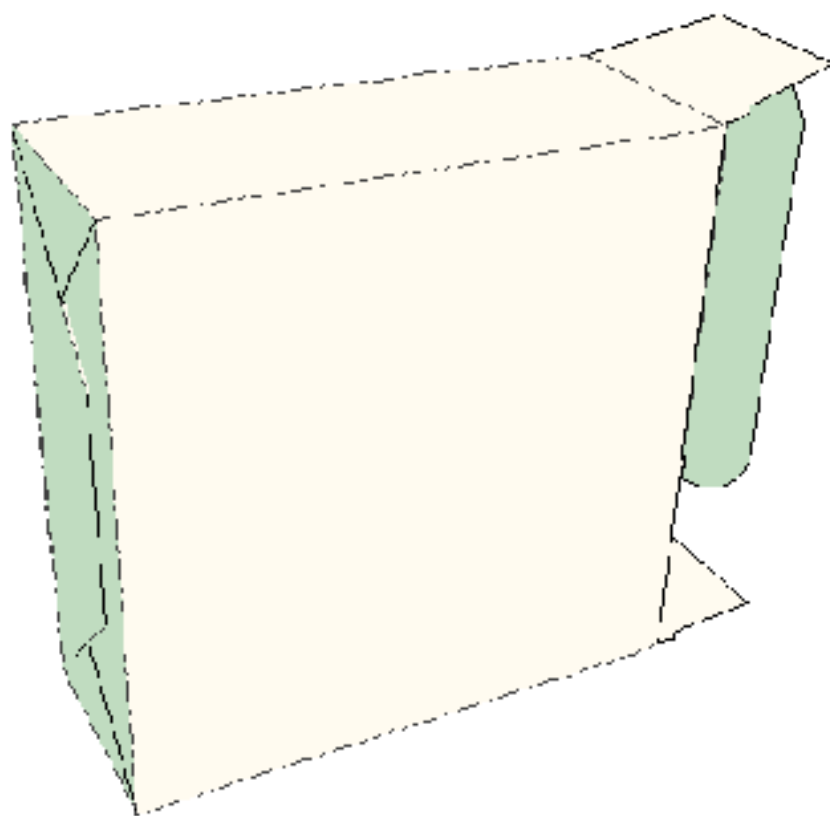
124.09.ARD - ST top tuck on 4th



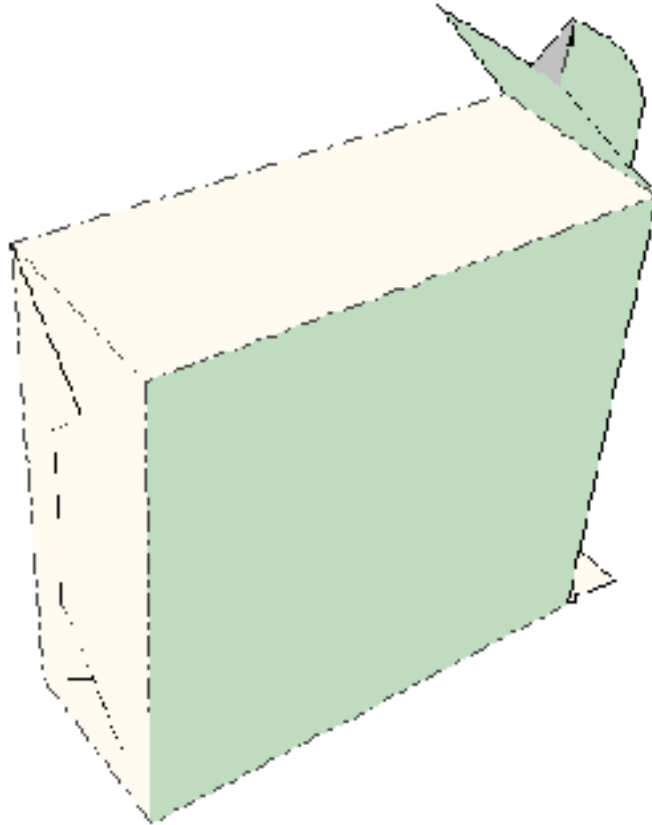


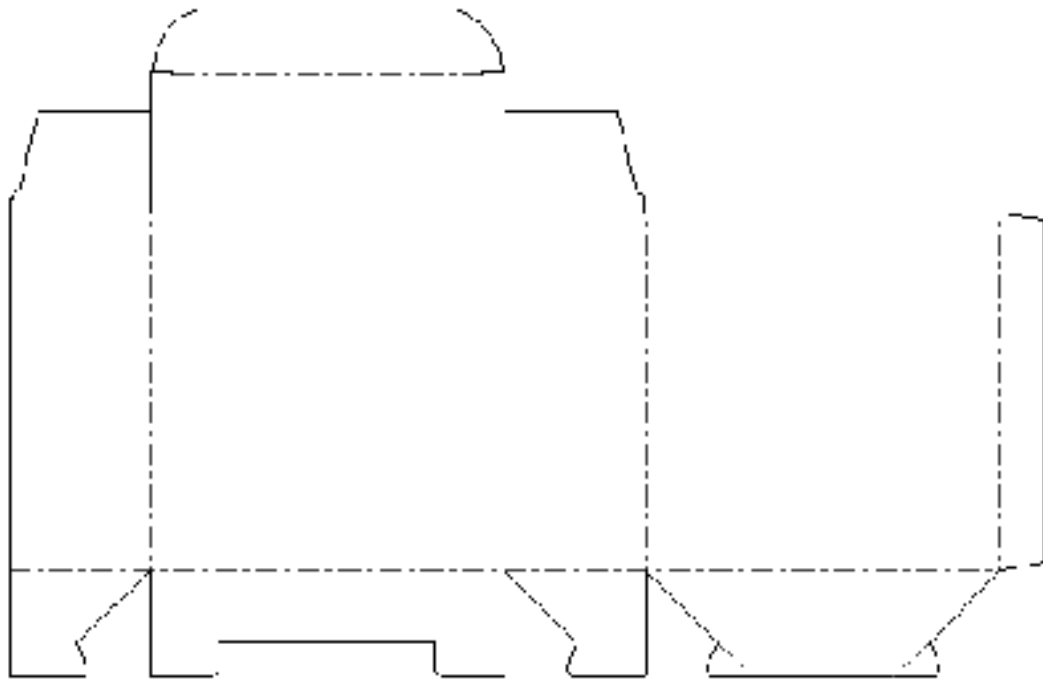
Standard slit lock top/Houghland bottom

141.12.ARD - Tuck on 2nd - tab on 2nd

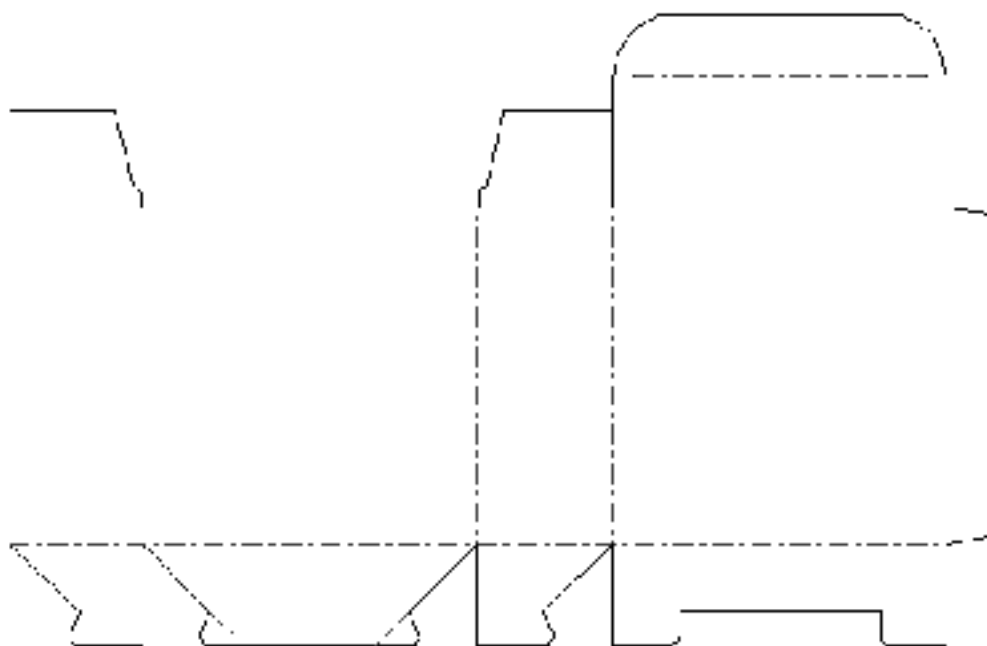
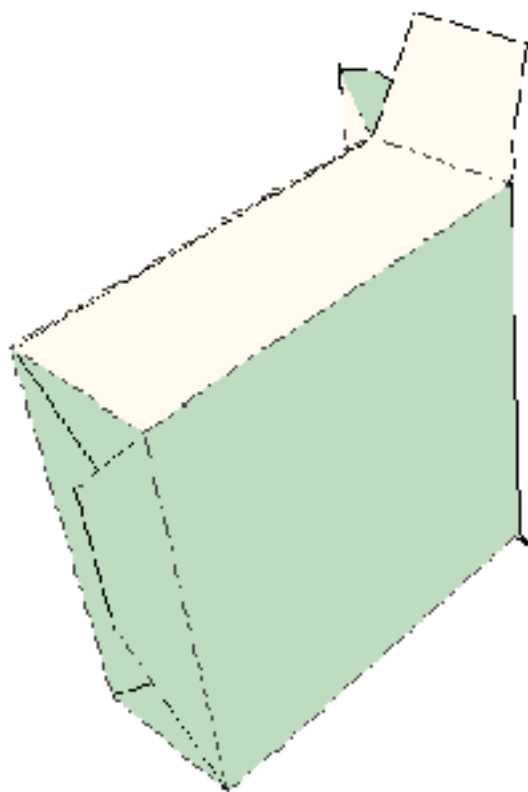


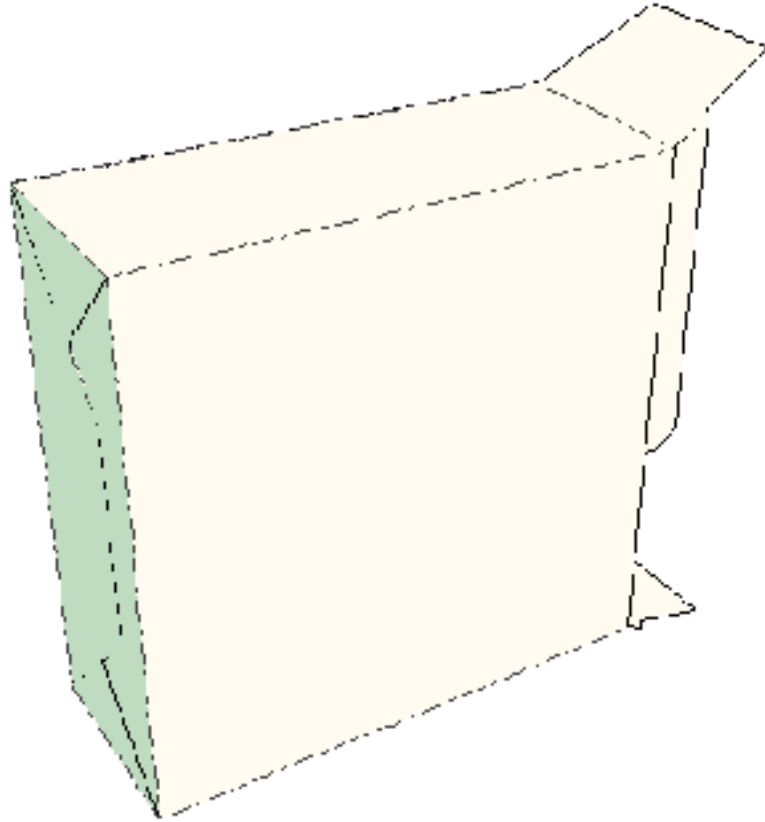
141.06.ARD - Tuck on 2nd - tab on 4th

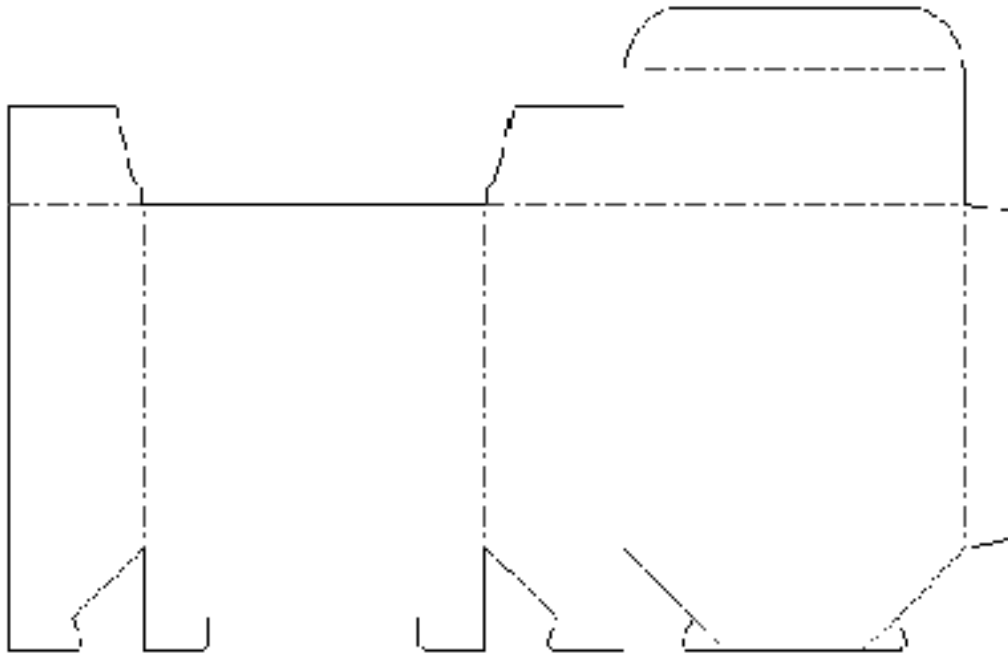




141.09.ARD - Tuck on 4th - tab on 2nd

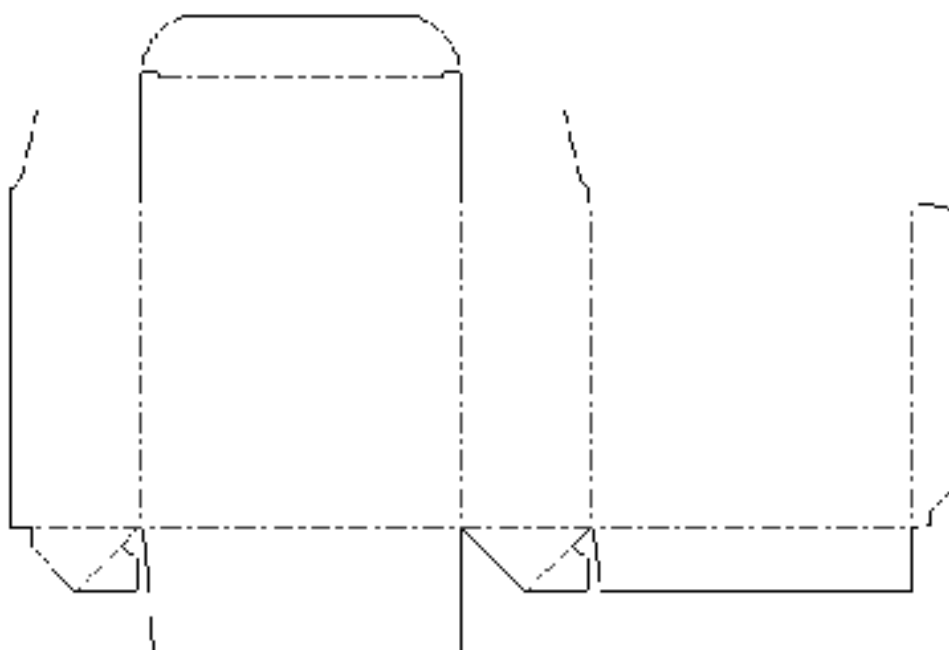
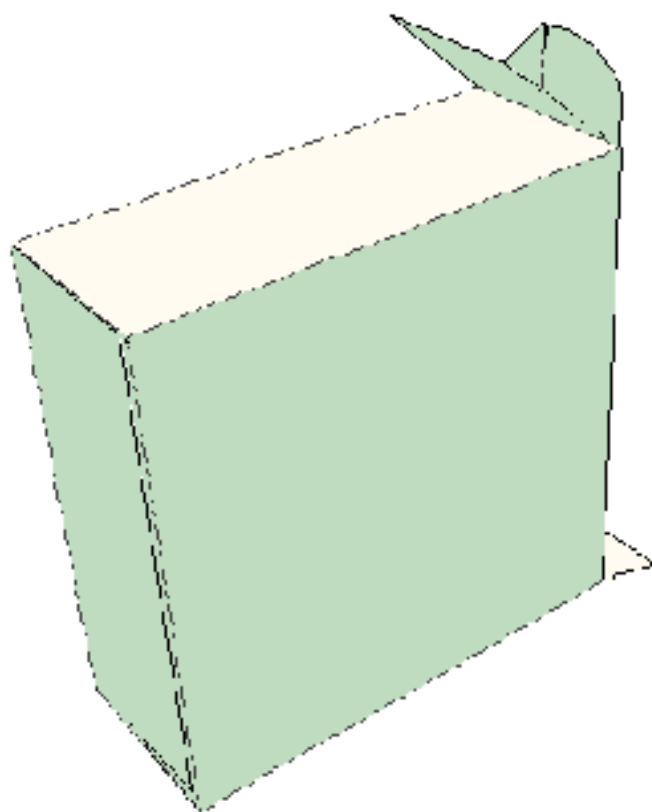


141.03.ARD - Tuck on 4th - tab on 4th

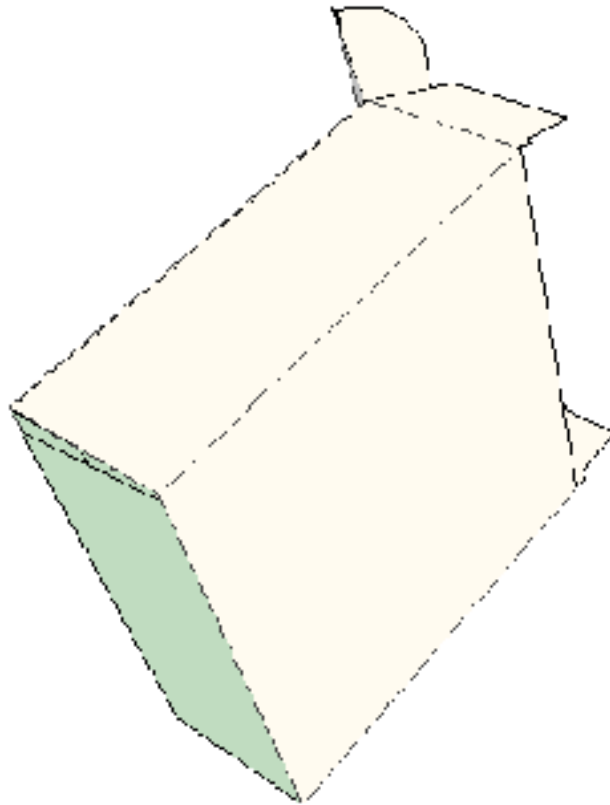


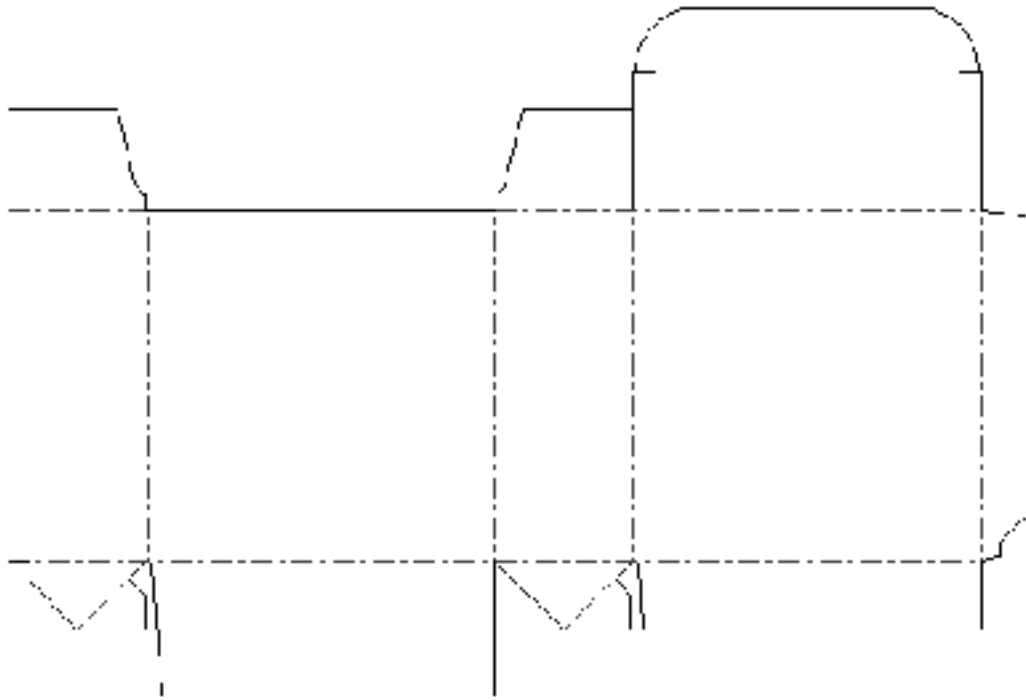
Standard slit lock top/Full flap auto bottom

151.06.ARD - Tuck on 2nd



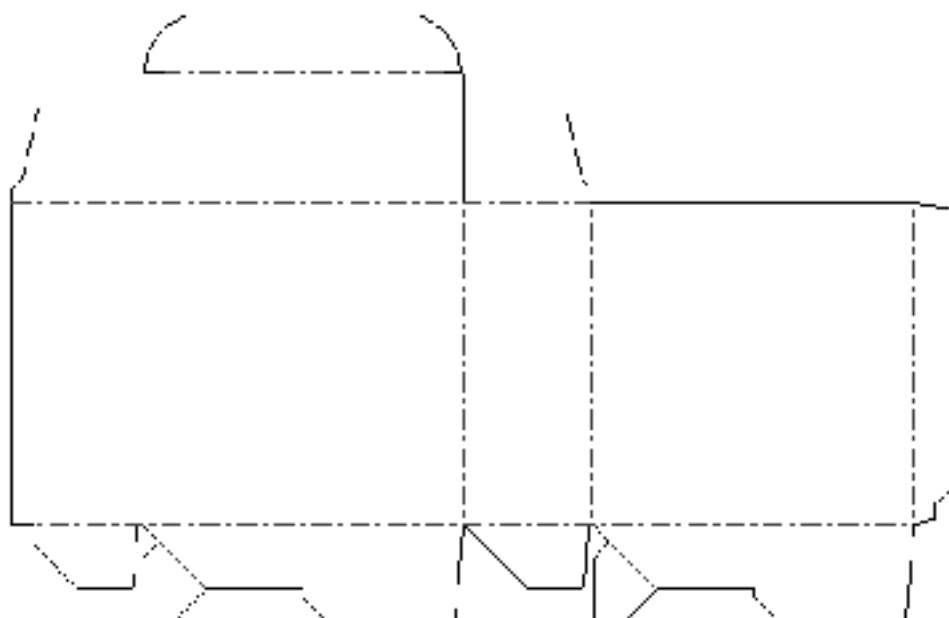
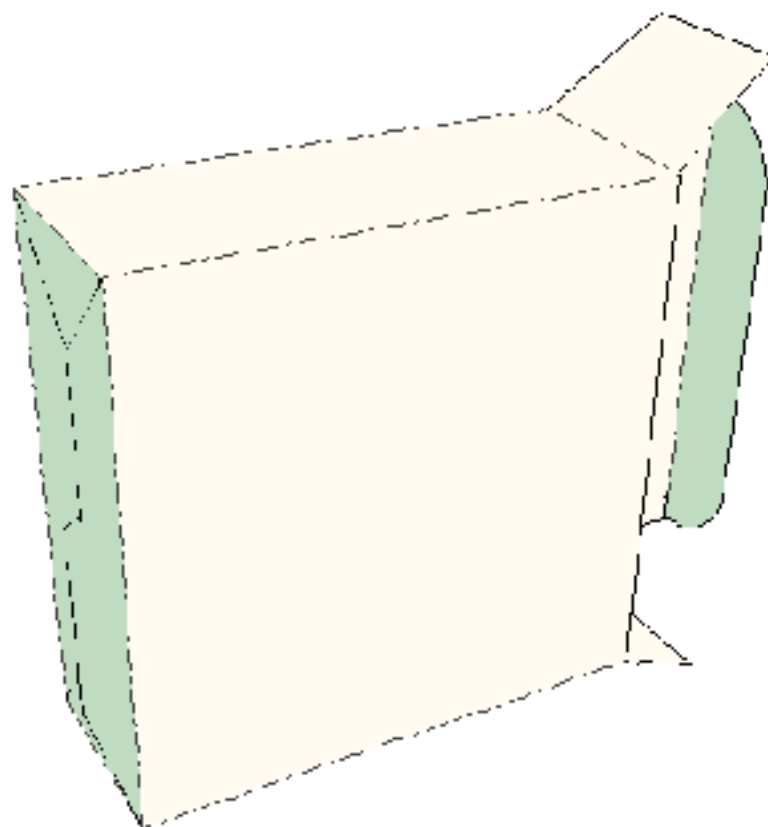
151.03.ARD - Tuck on 4th



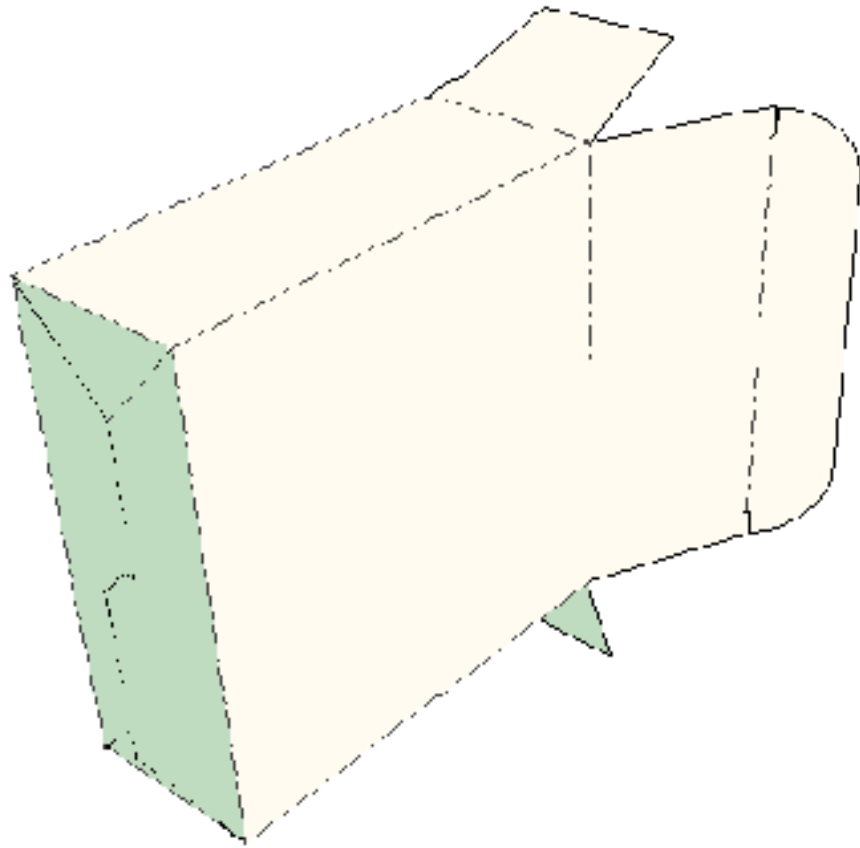


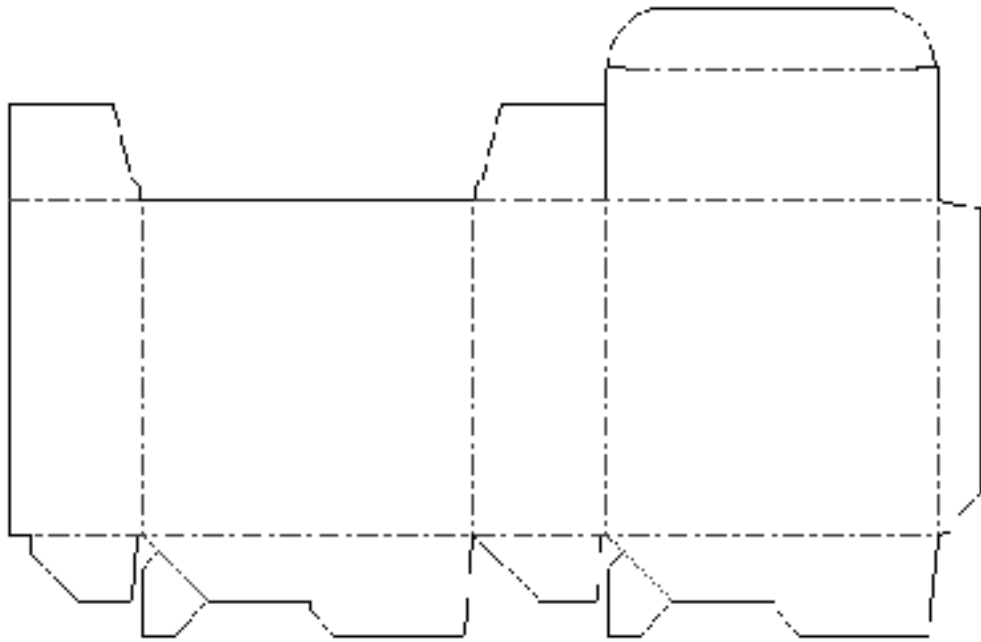
Standard slit lock top/Inturn auto bottom

152.06.ARD - Tuck top on 2nd panel



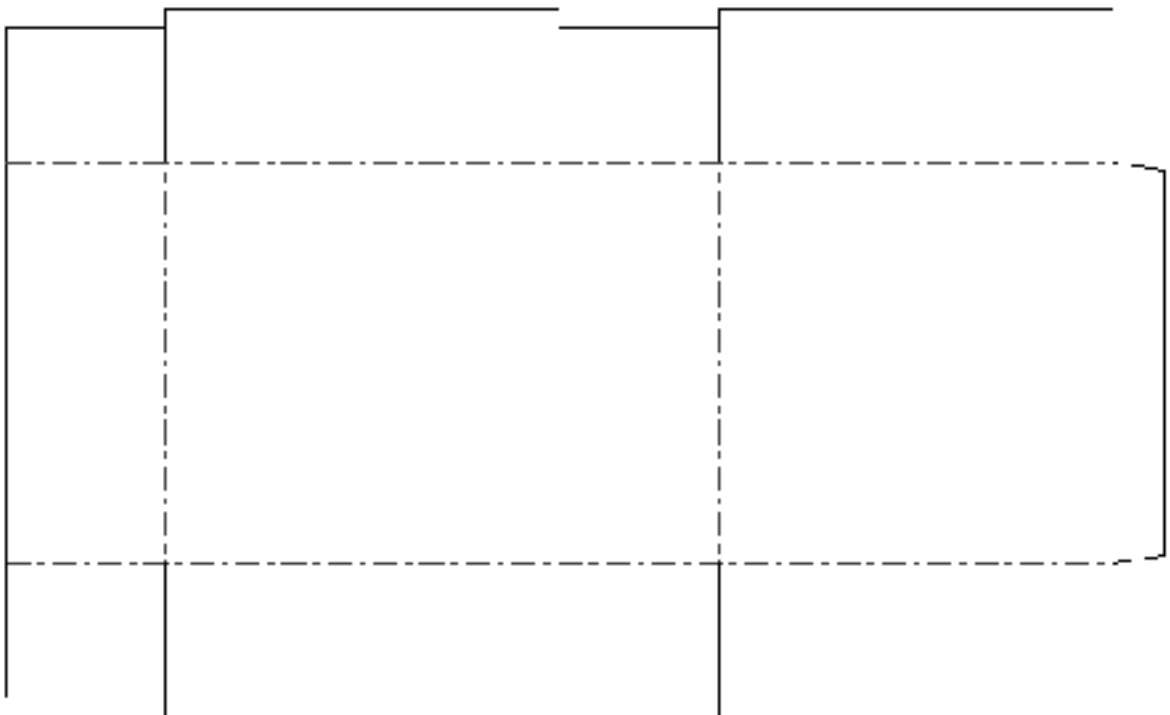
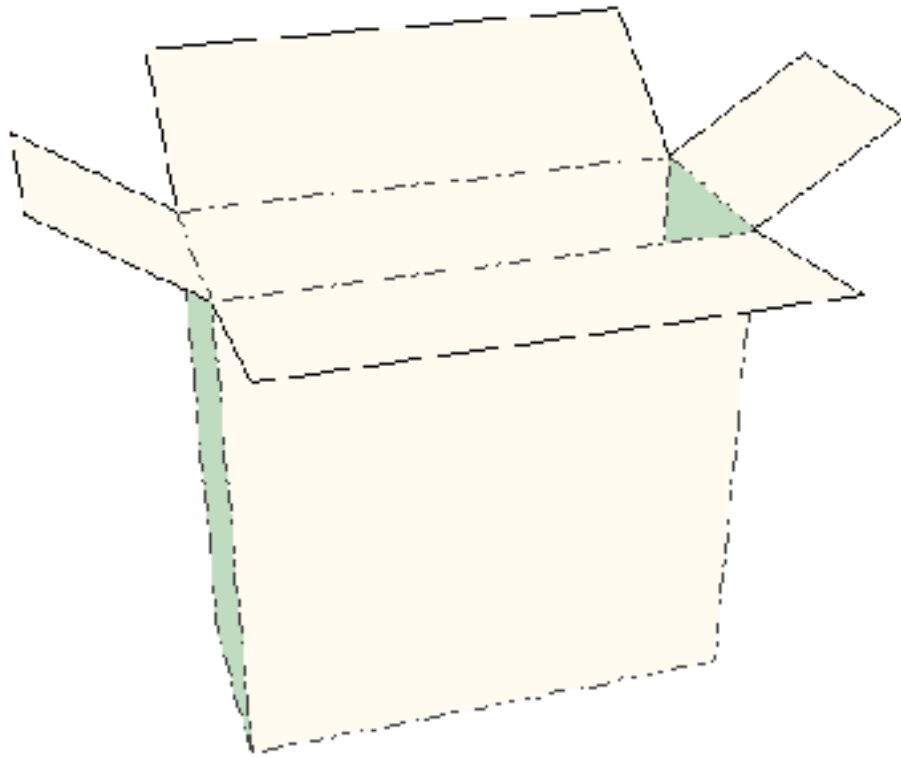
152.03.ARD - Tuck top on 4th panel



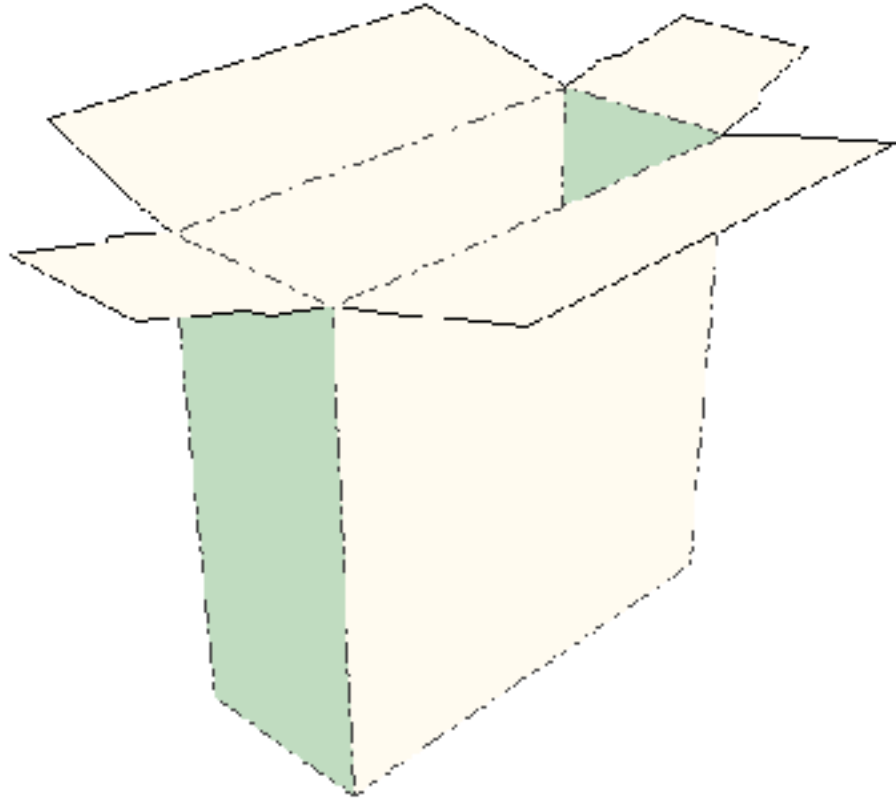


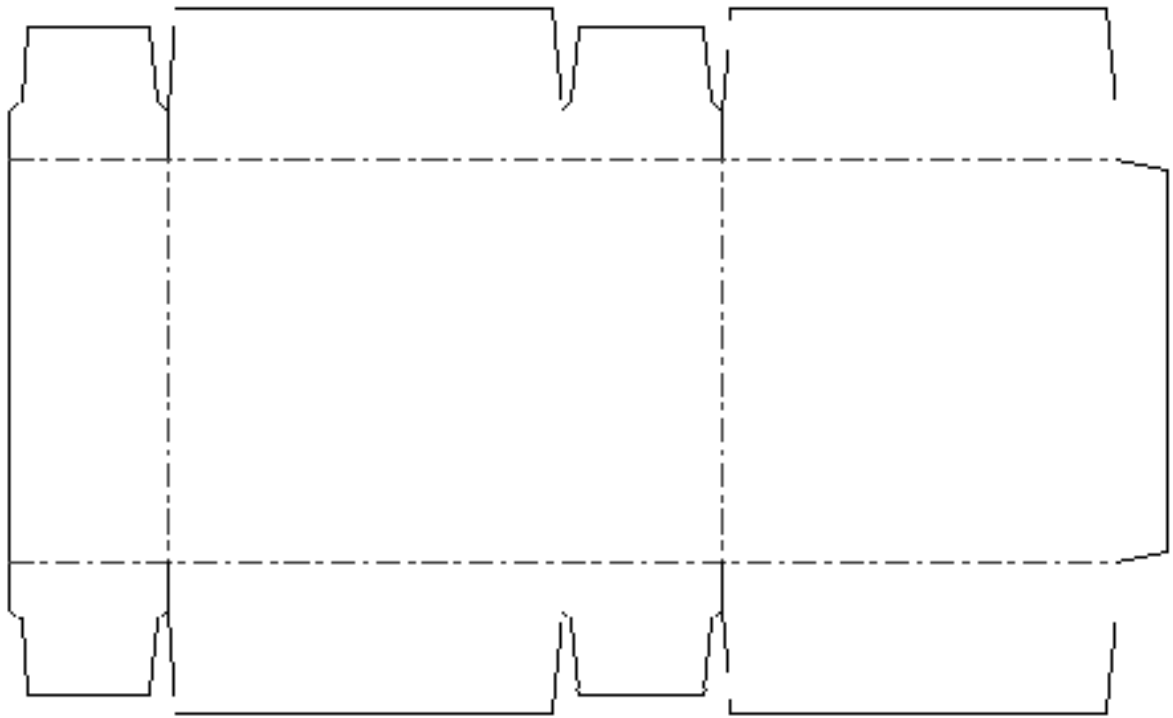
Partial/full overlap seal ends

131.01.ARD - Flap style #1

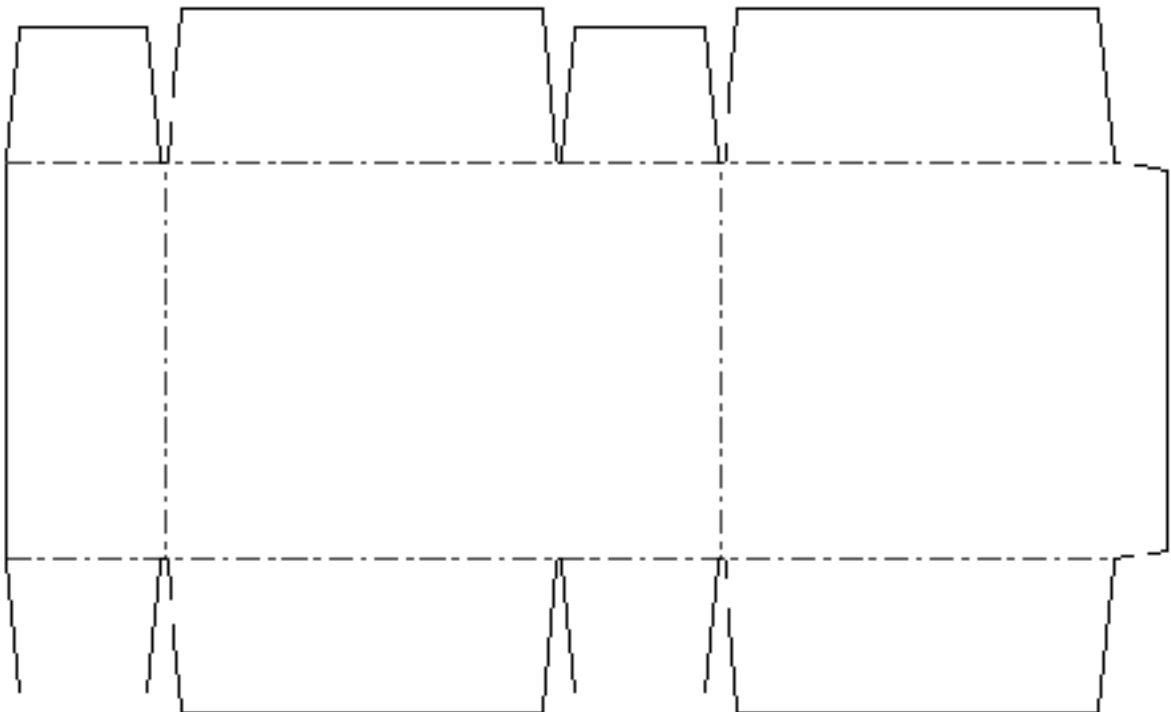
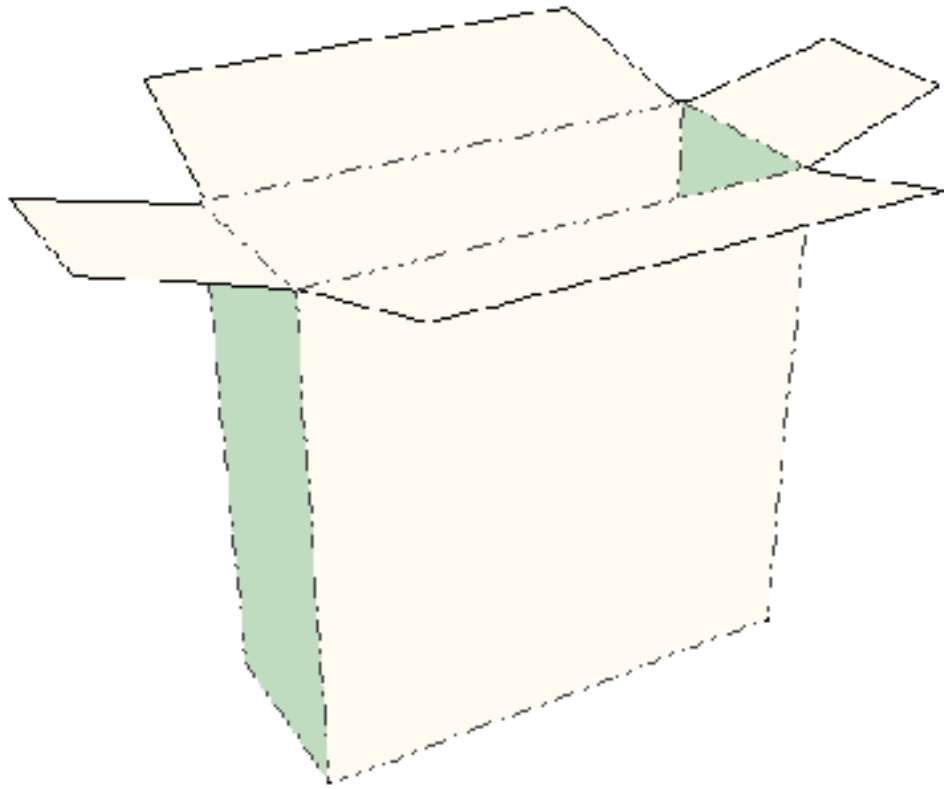


131.04.ARD - Flap style #2

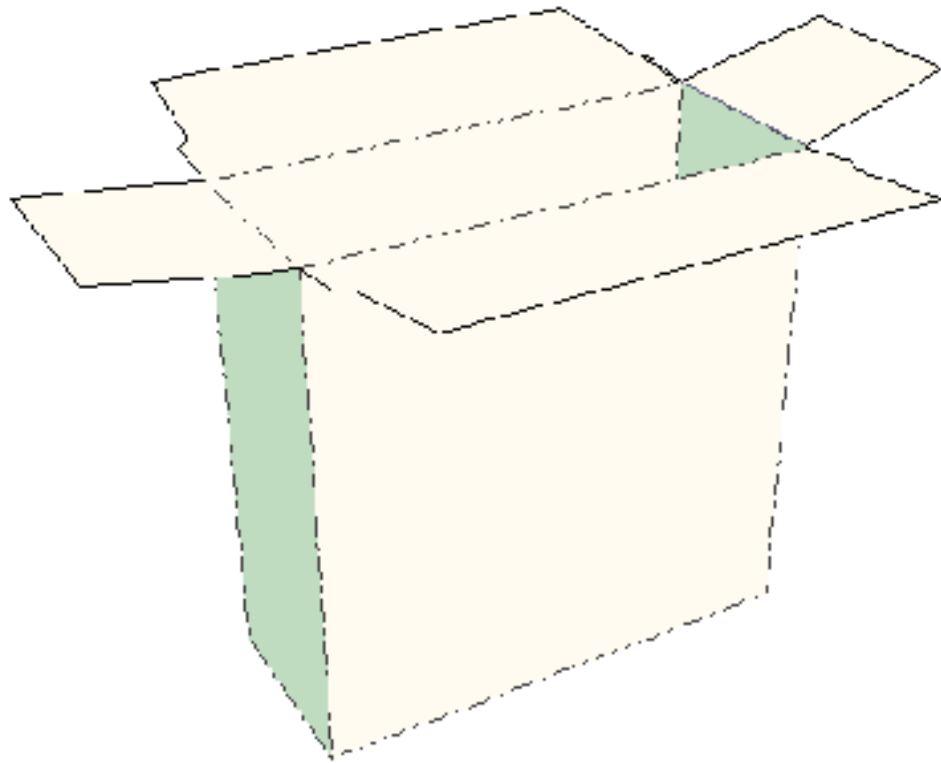


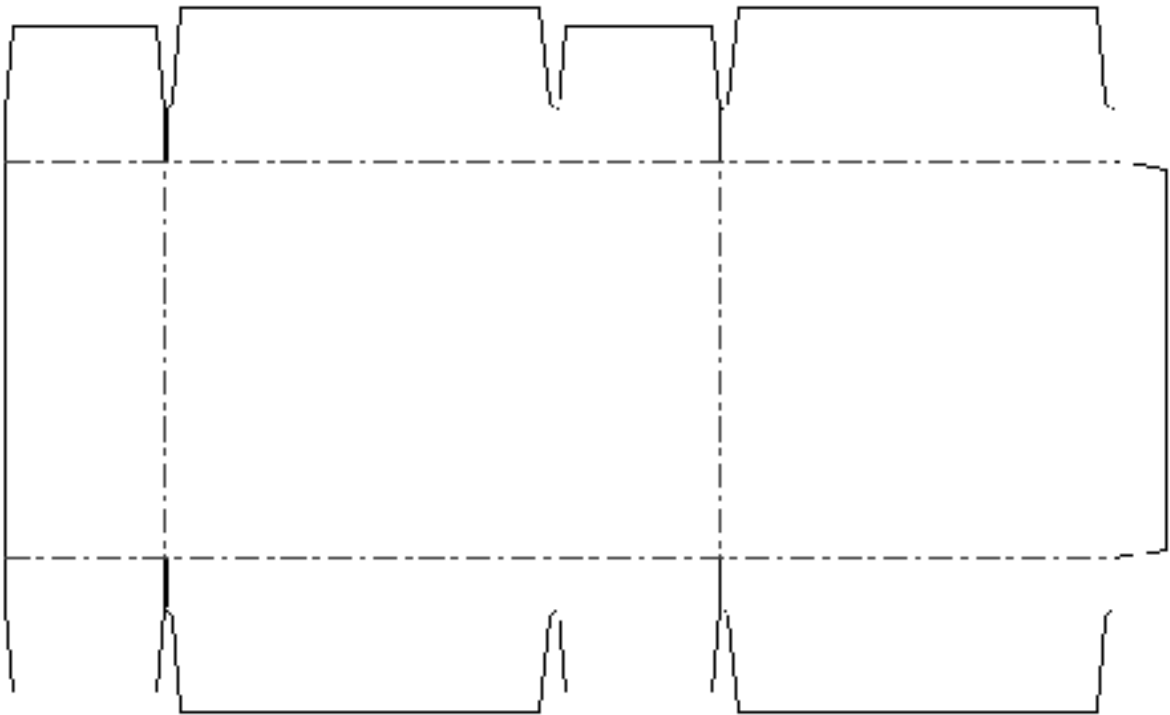


131.05.ARD - Flap style #3

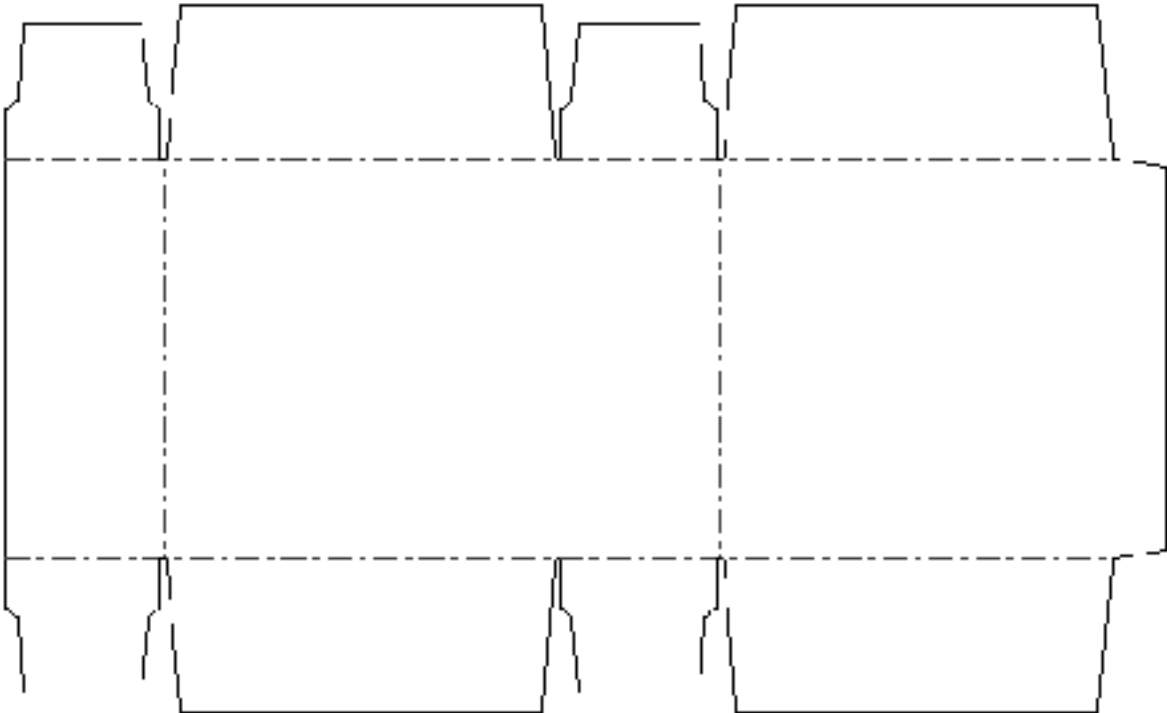
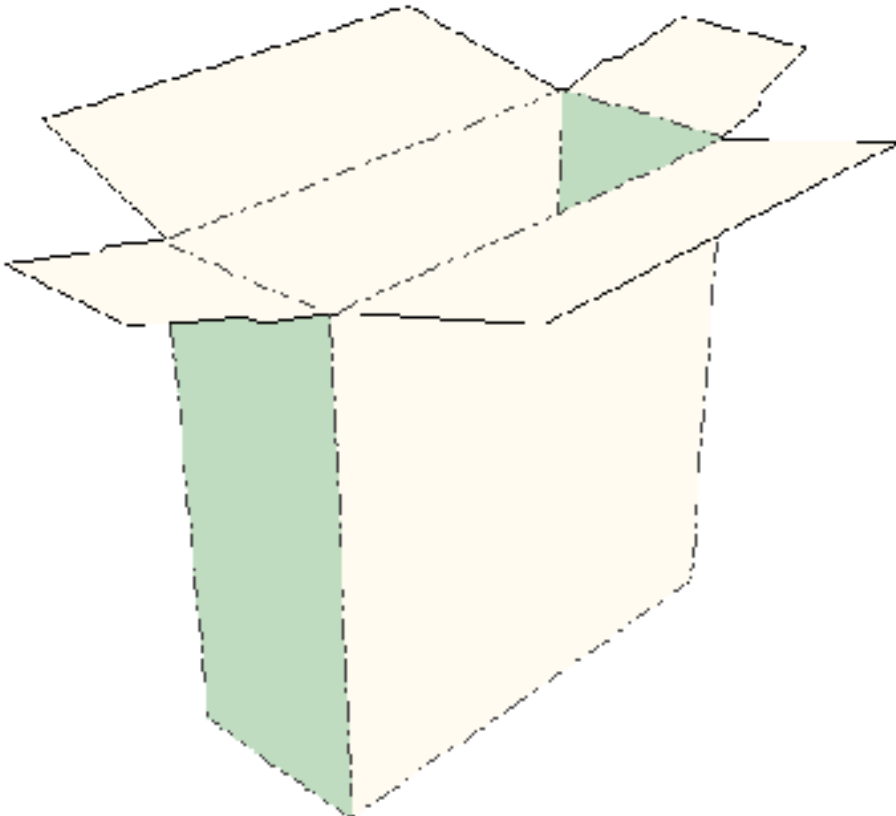


131.06.ARD - Flap style #4



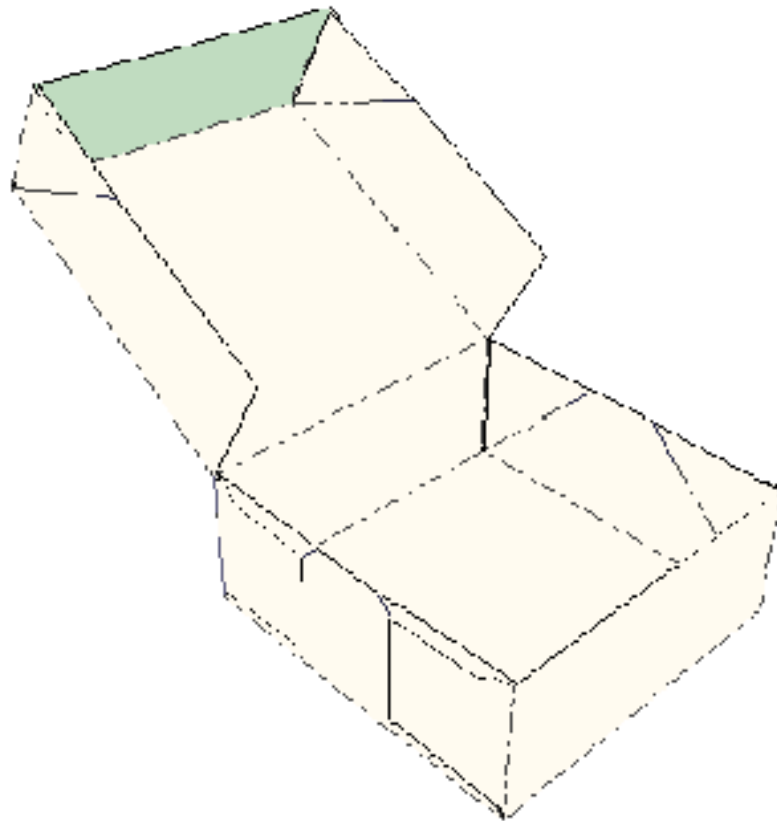


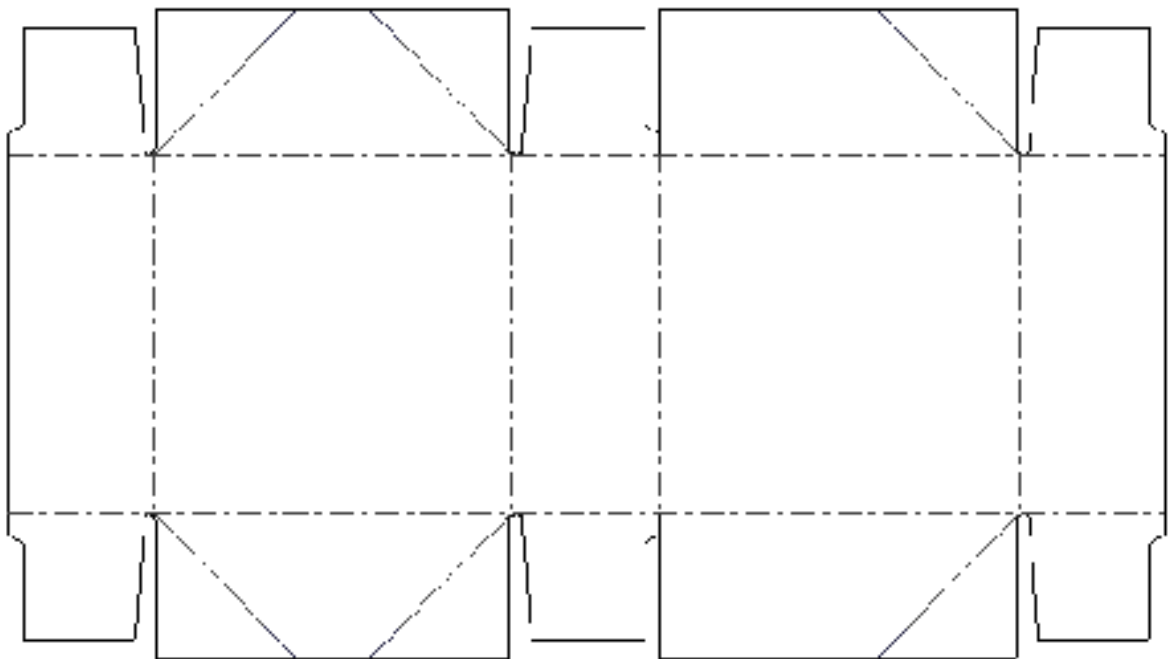
131.07.ARD - Flap style #5



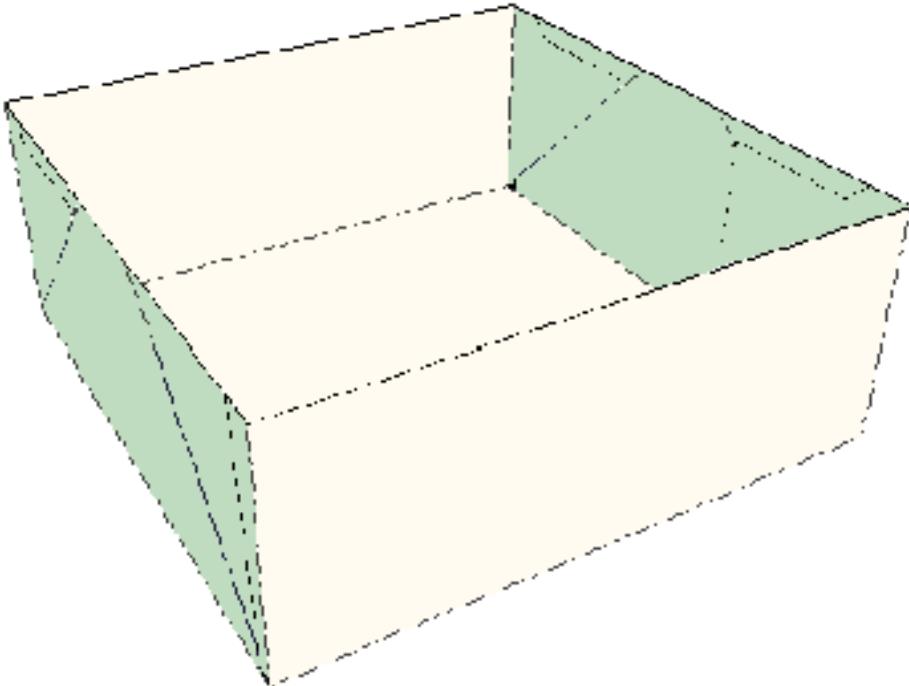
Trays/Beers

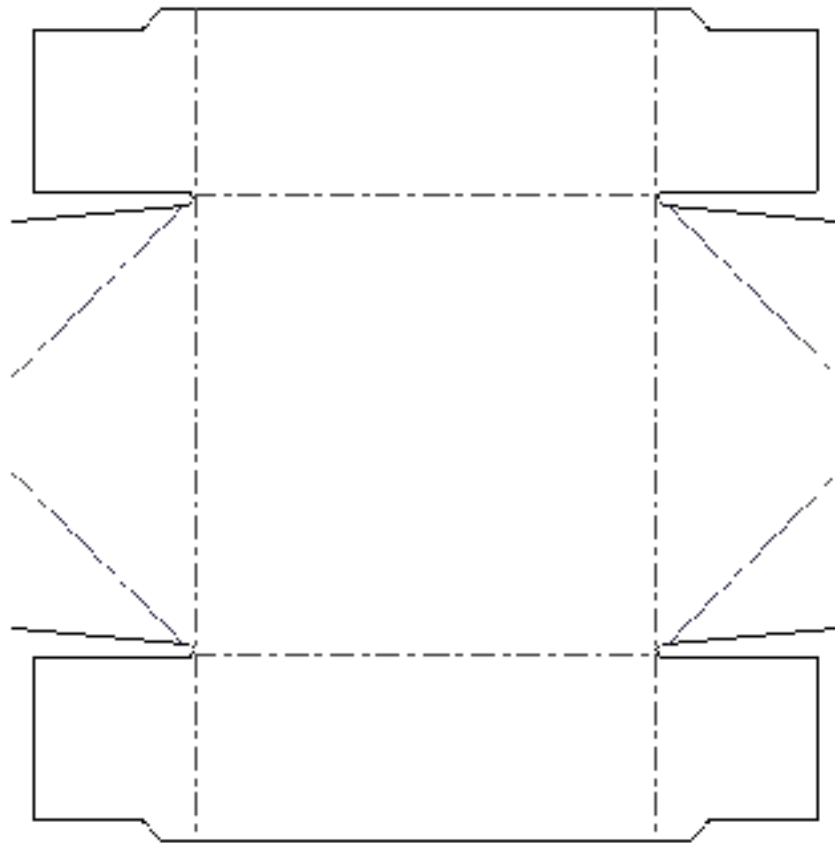
222.05.ARD - 6 corner





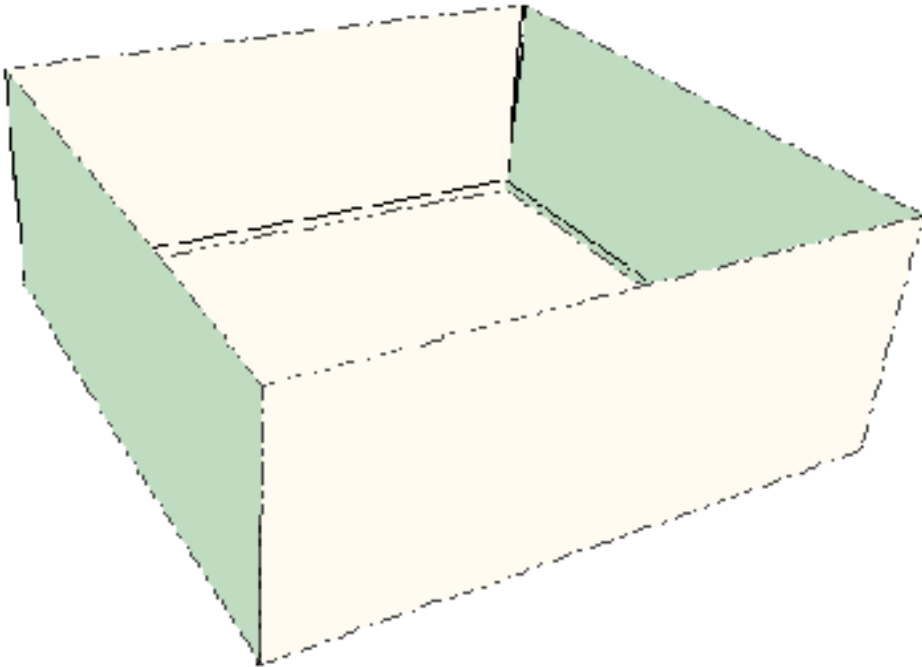
222.02.ARD - Standard/Full drag

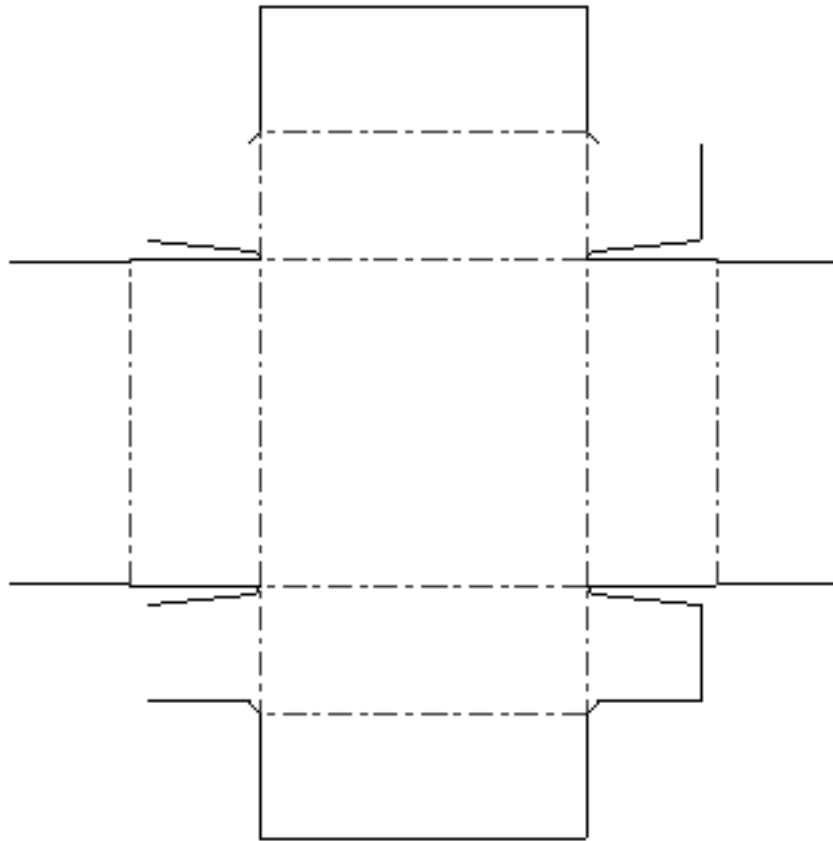




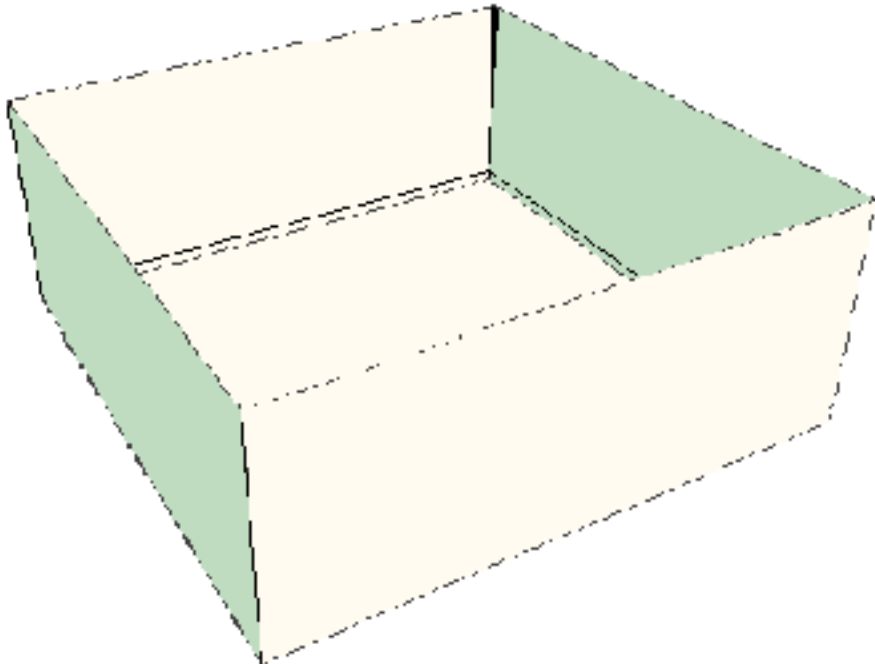
Trays/Brightwoods

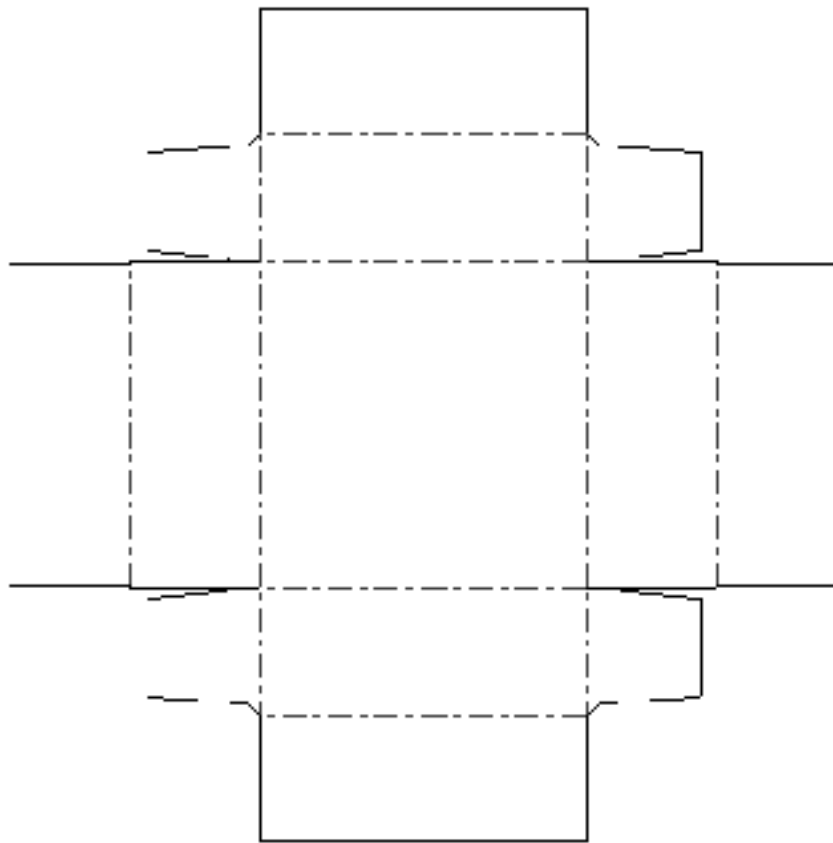
261.01.ARD - Double sidewall/Double endwall - Flap style #1



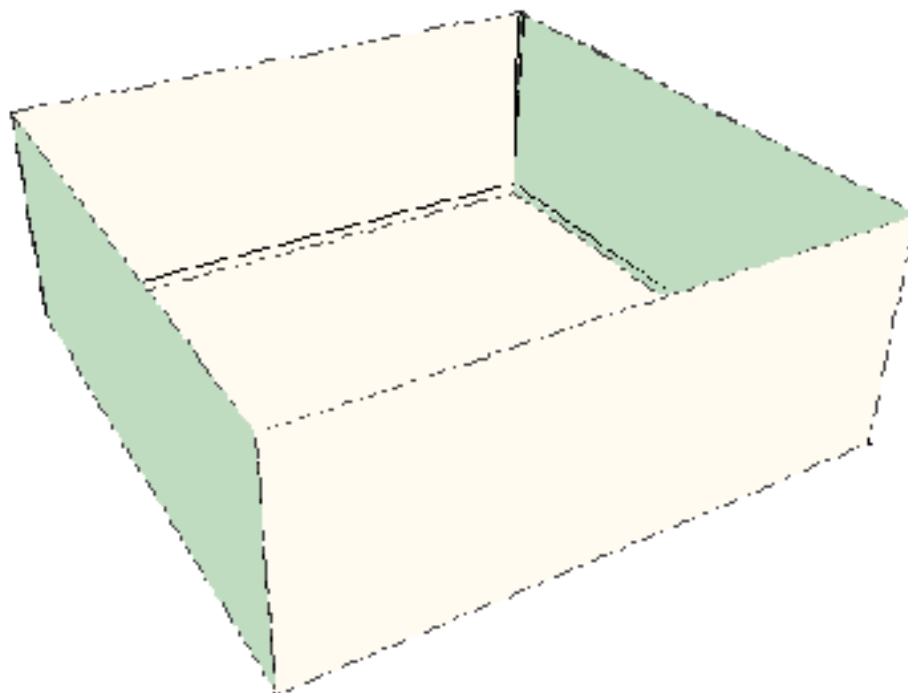


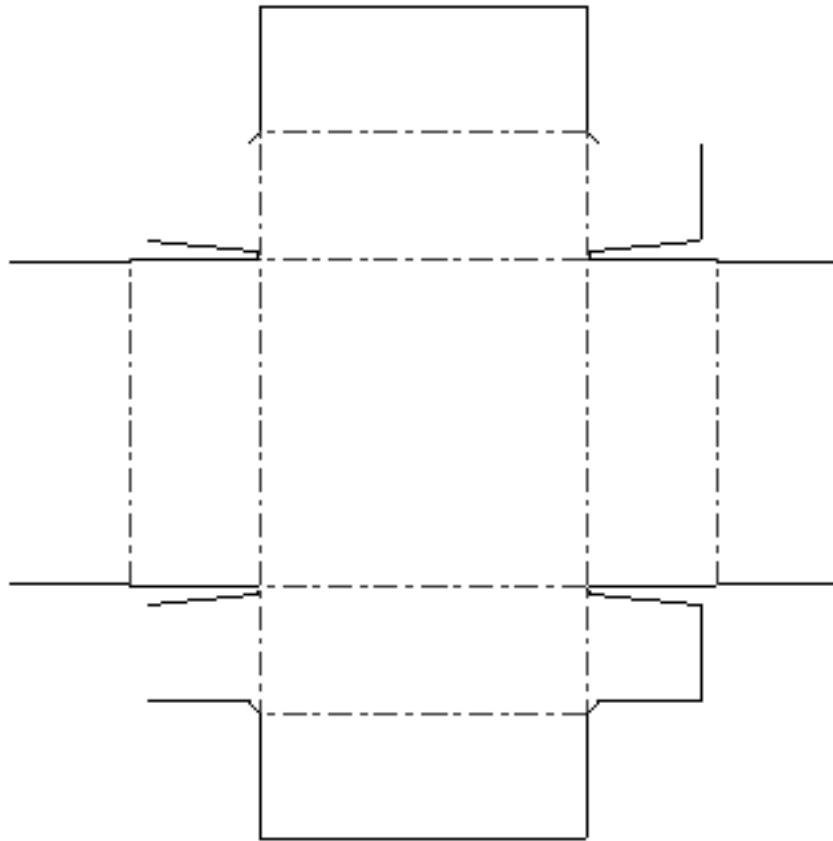
261.02.ARD - Double sidewall/Double endwall/Flap style #2



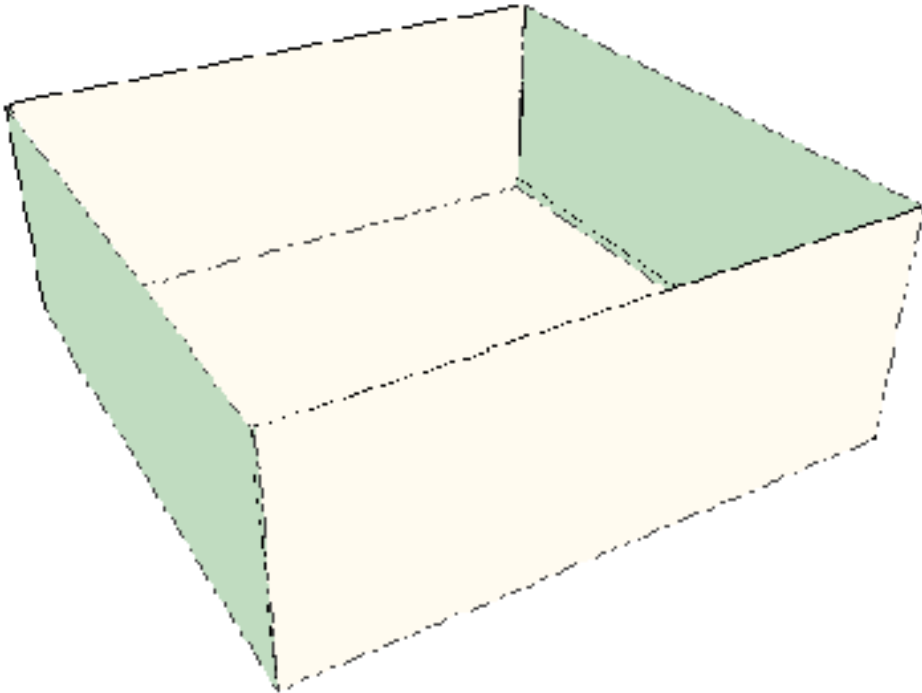


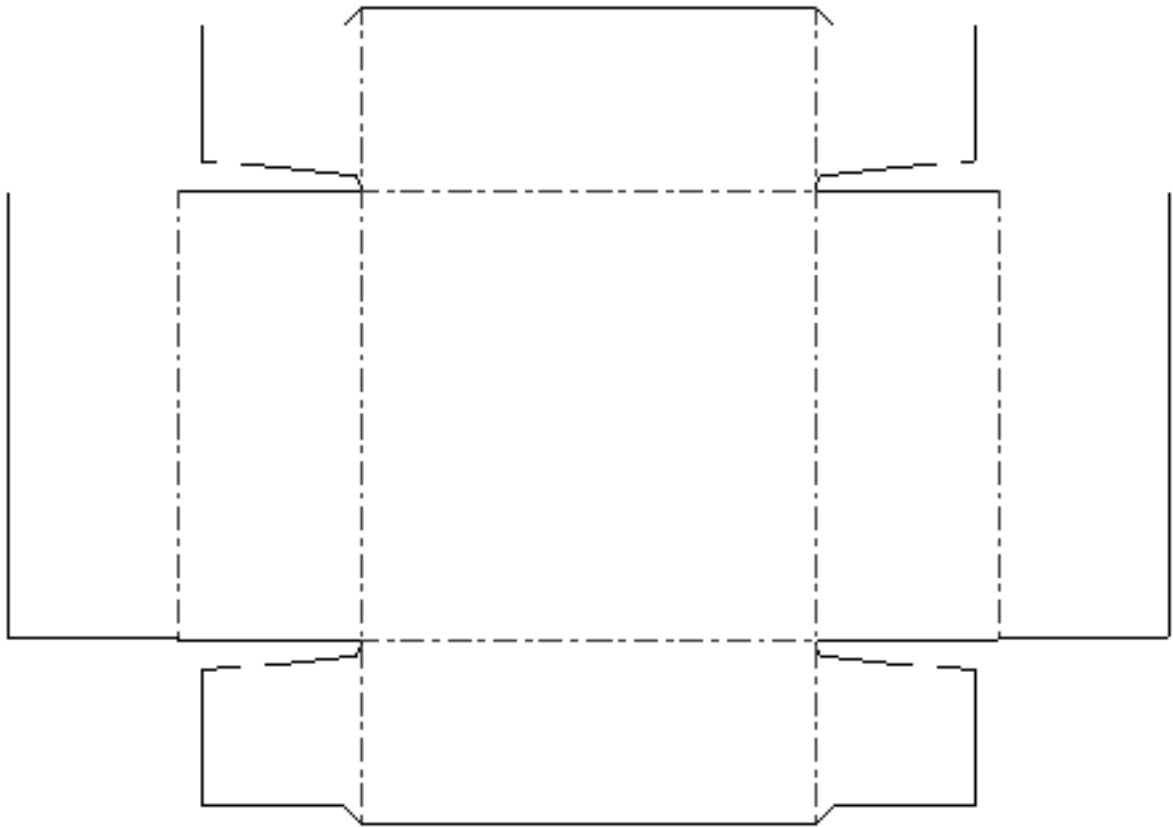
261.03.ARD - Double sidewall/Double endwall/Flap style #3



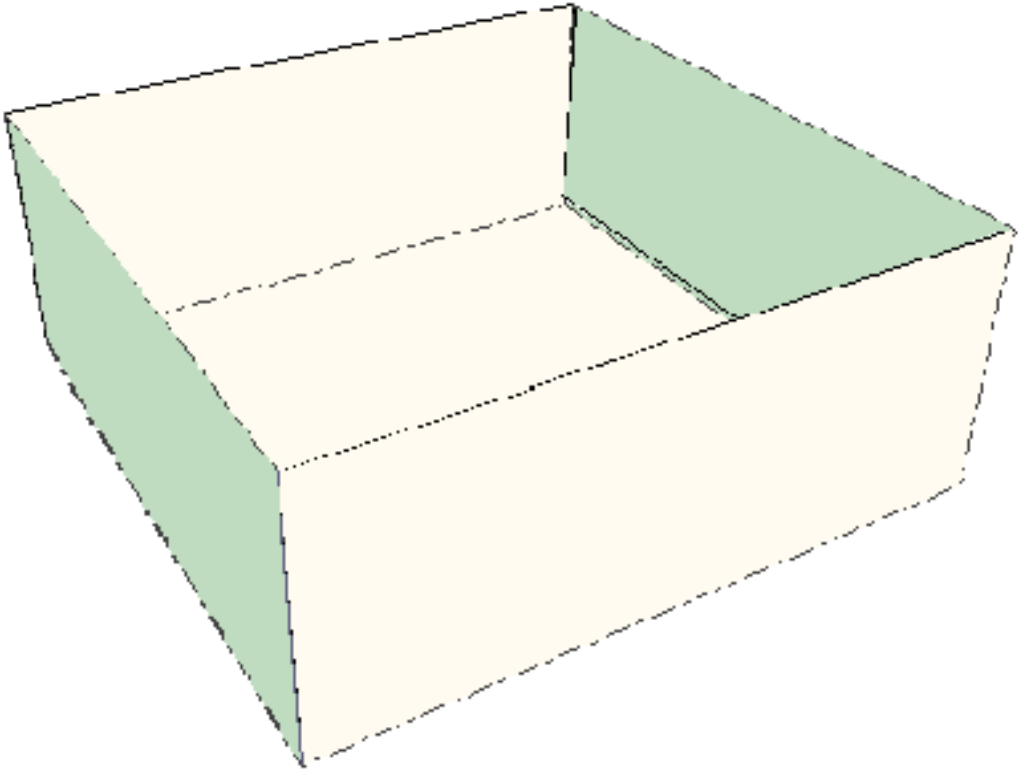


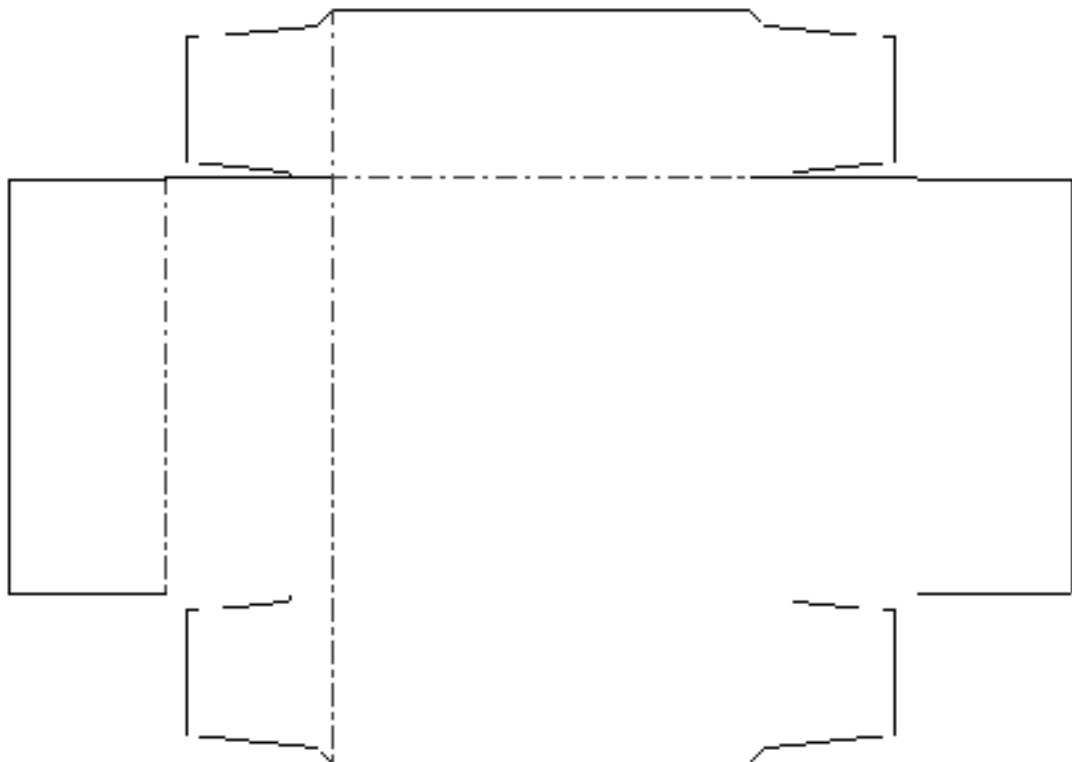
241.01.ARD - Single sidewall/Double endwall/Flap style #1



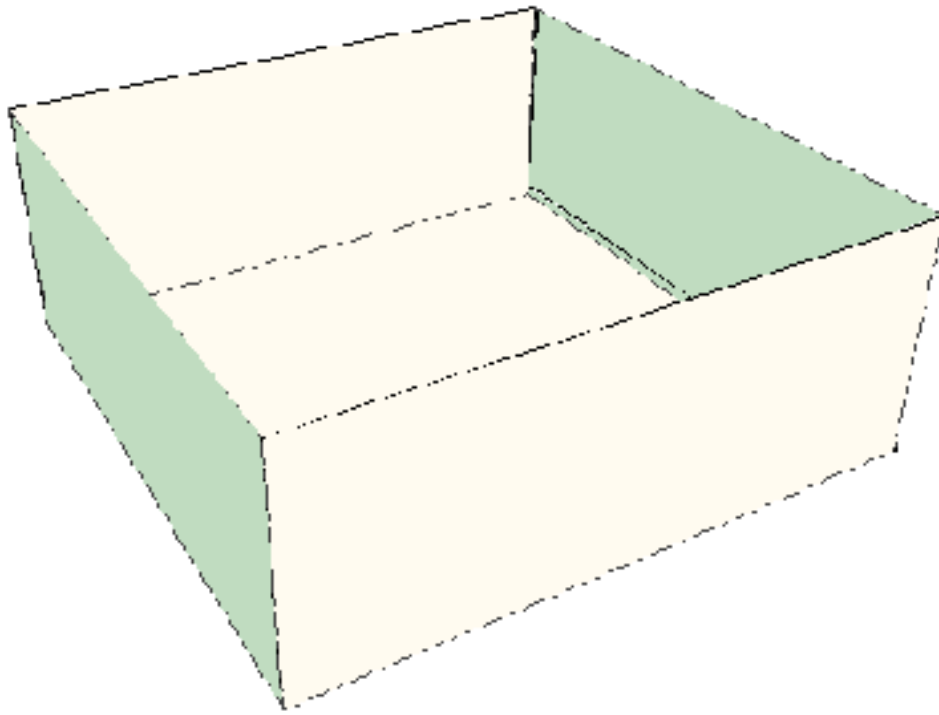


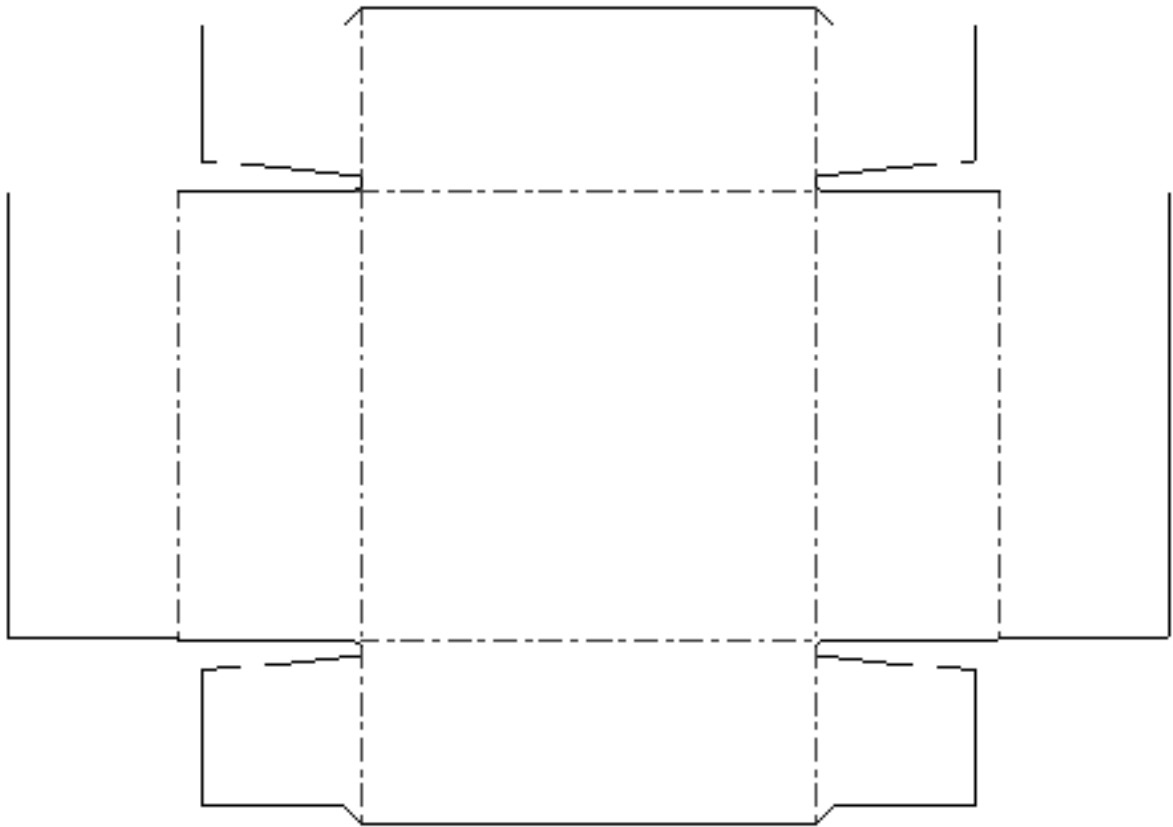
241.02.ARD - Single sidewall/Double endwall/Flap style #2



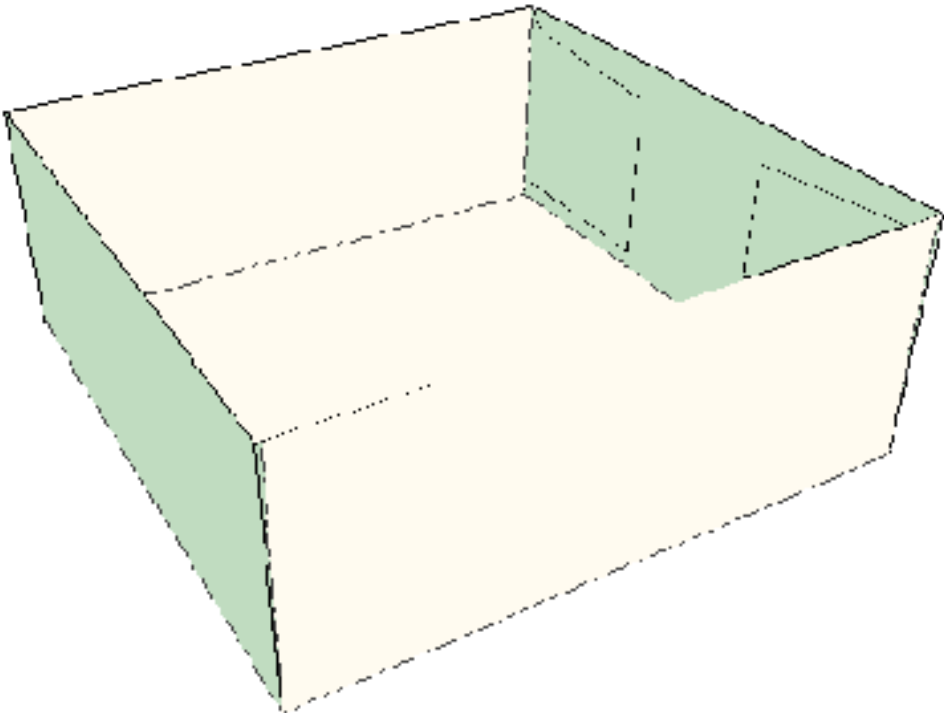


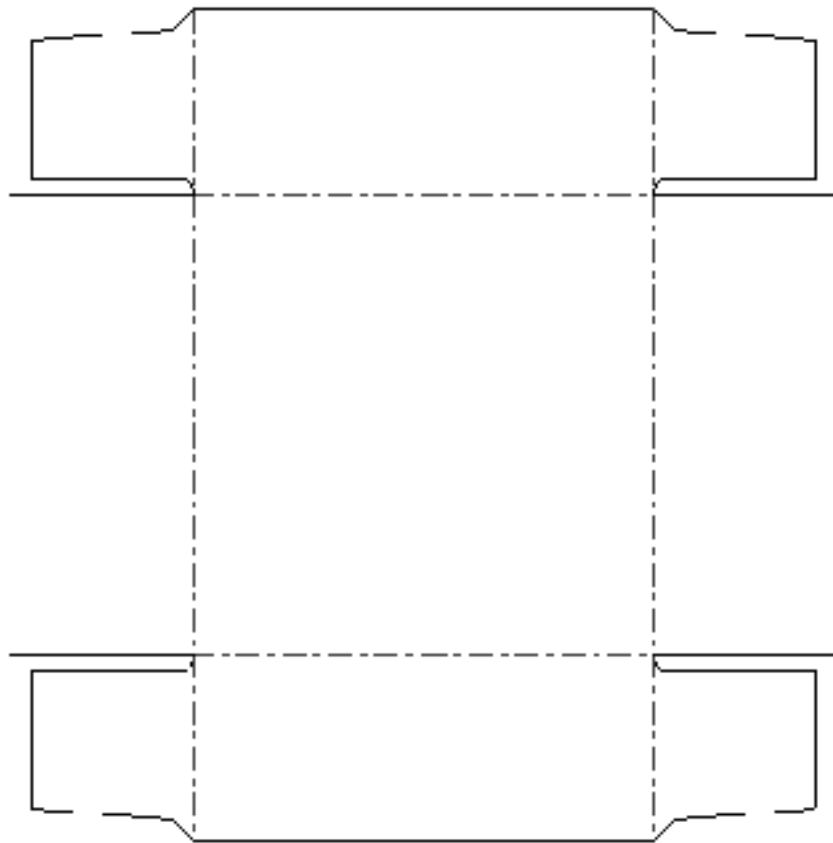
241.03.ARD - Single sidewall/Double endwall/Flap style #3



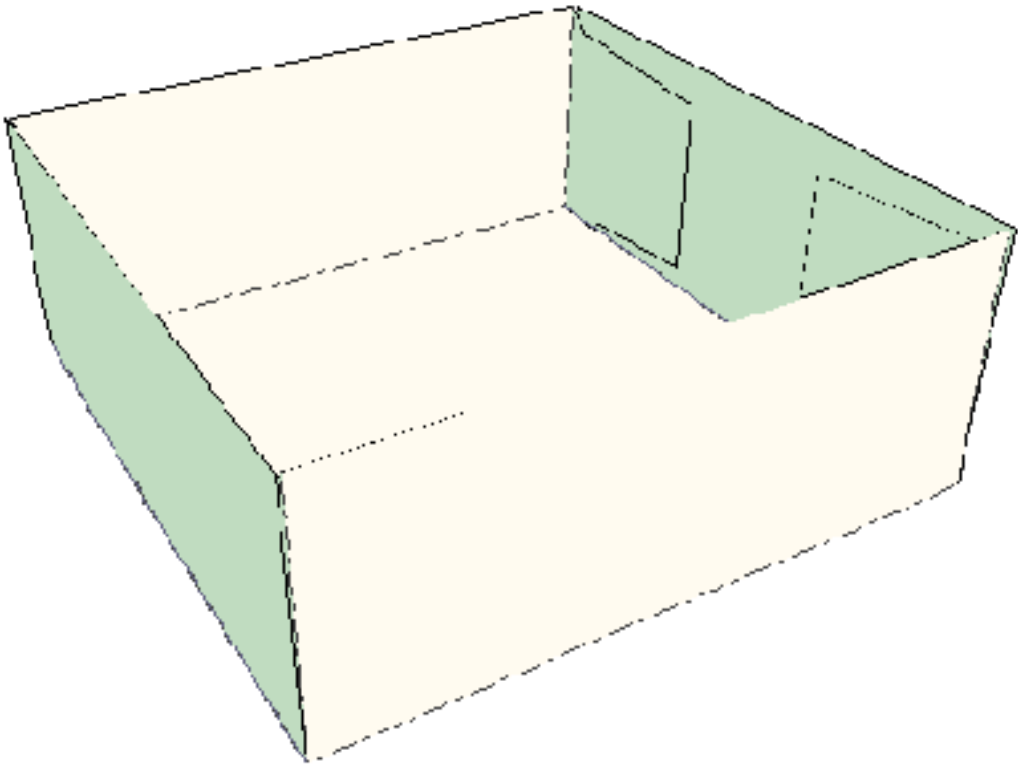


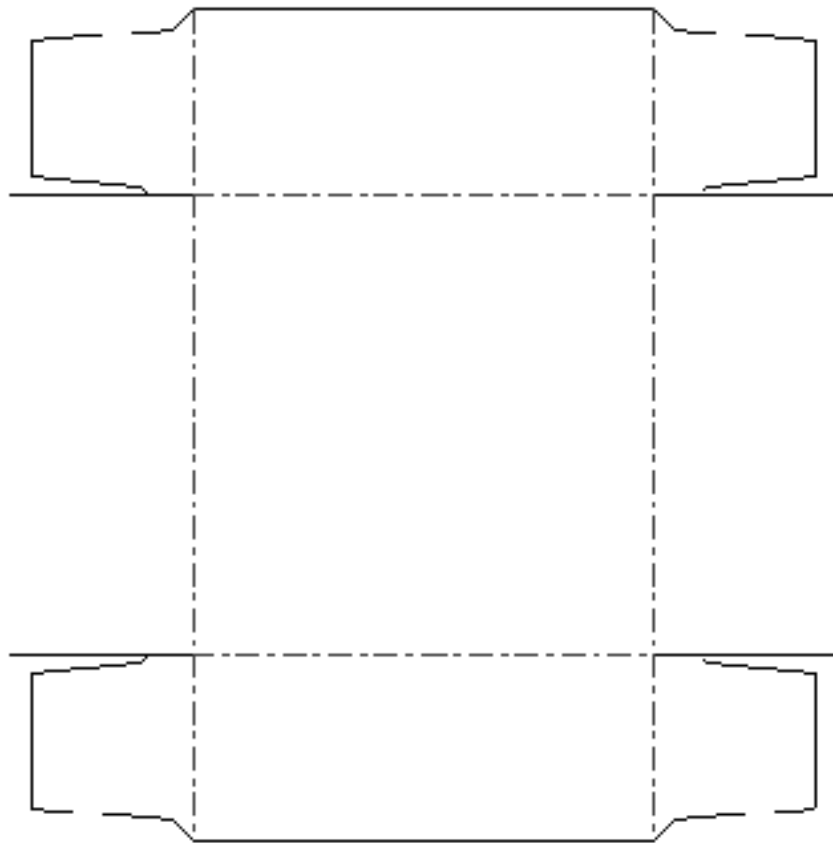
221.01.ARD - Single sidewall/Single endwall/Flap style #1



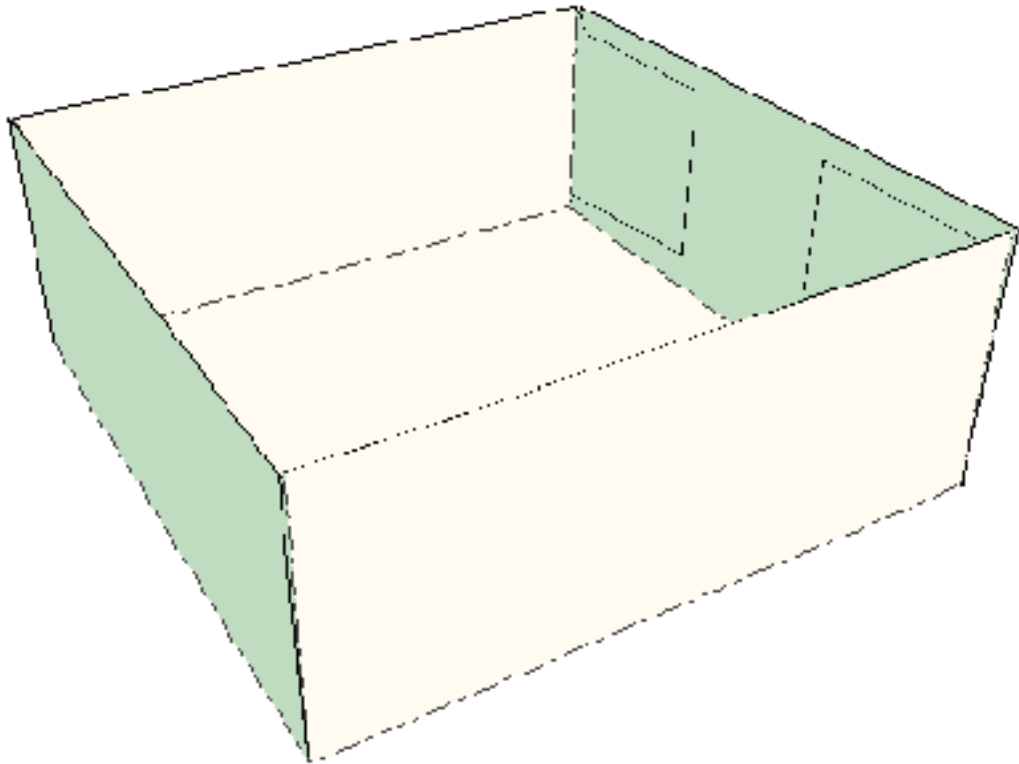


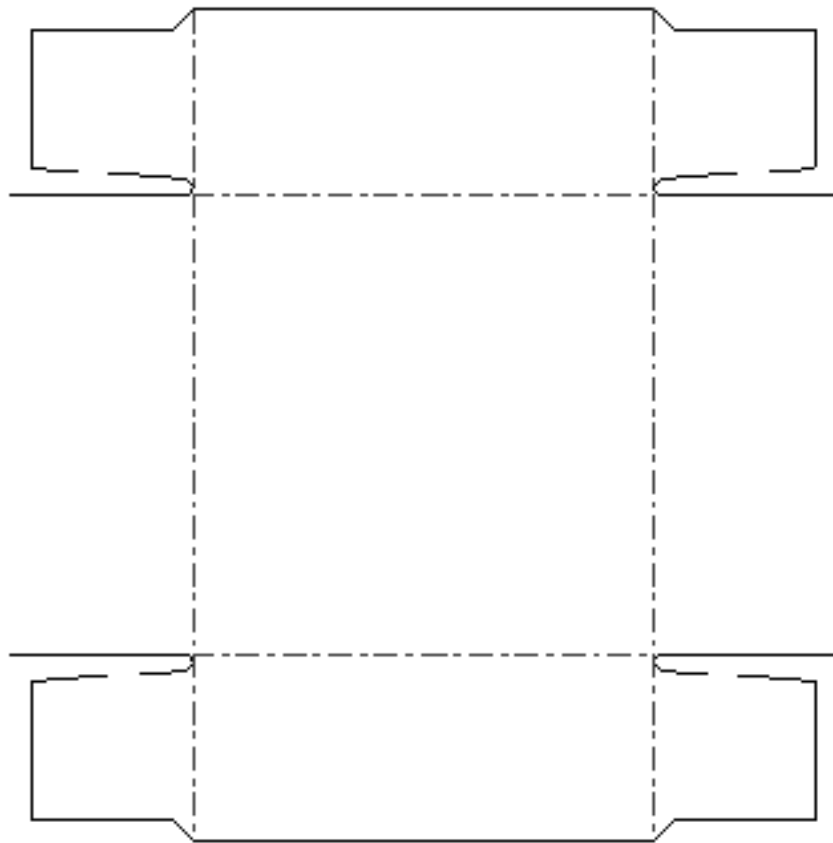
221.03.ARD - Single sidewall/Single endwall/Flap style #2





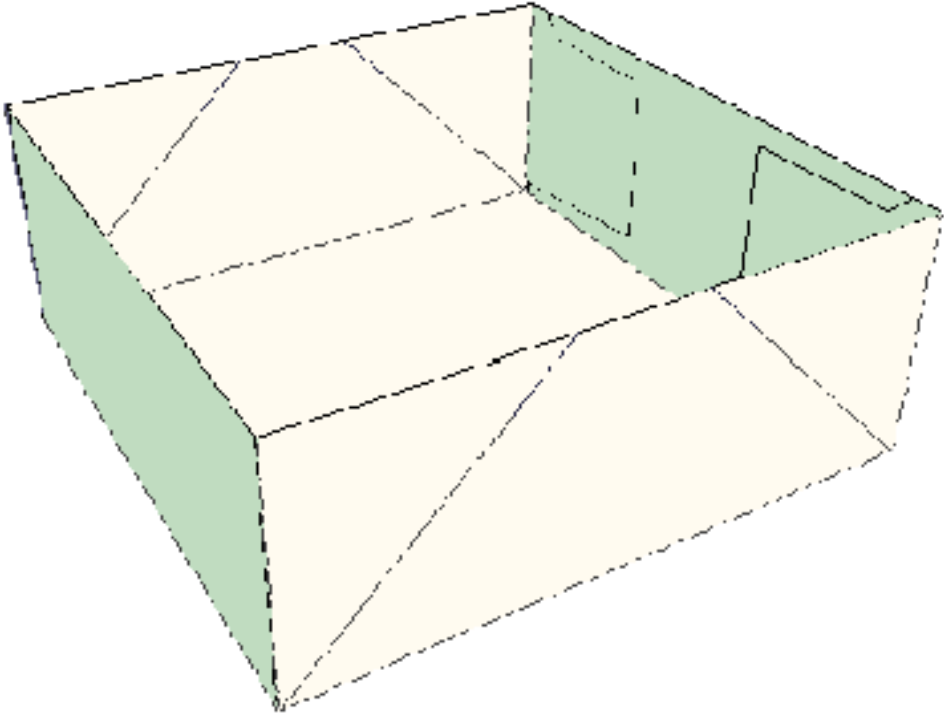
221.05.ARD - Single sidewall/Single endwall/Flap style #3

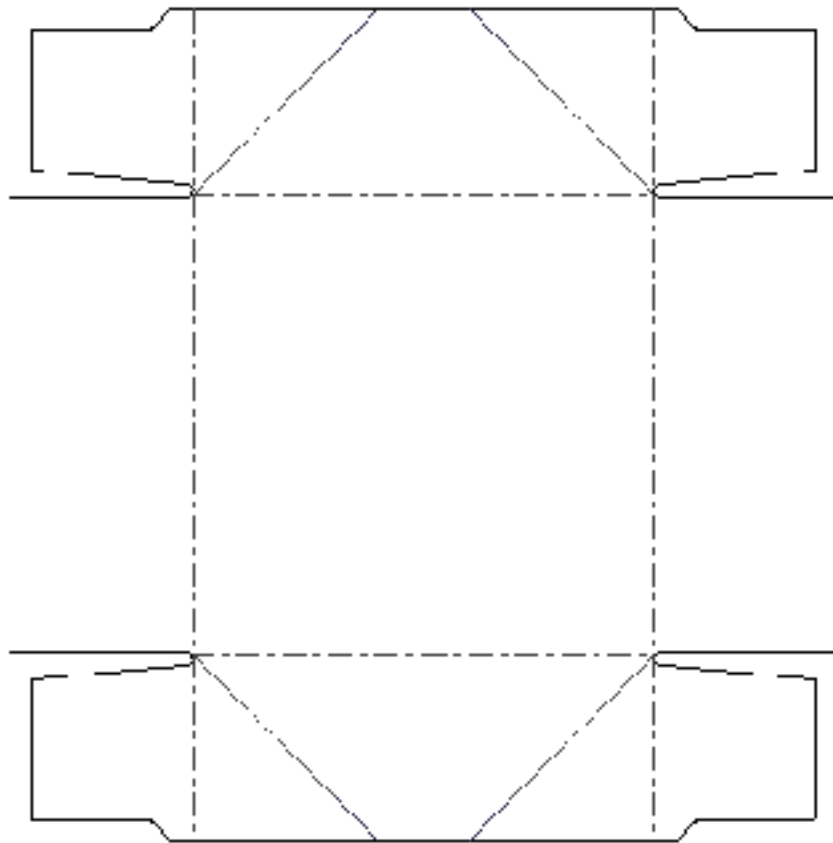




Trays/Infold-Outfold

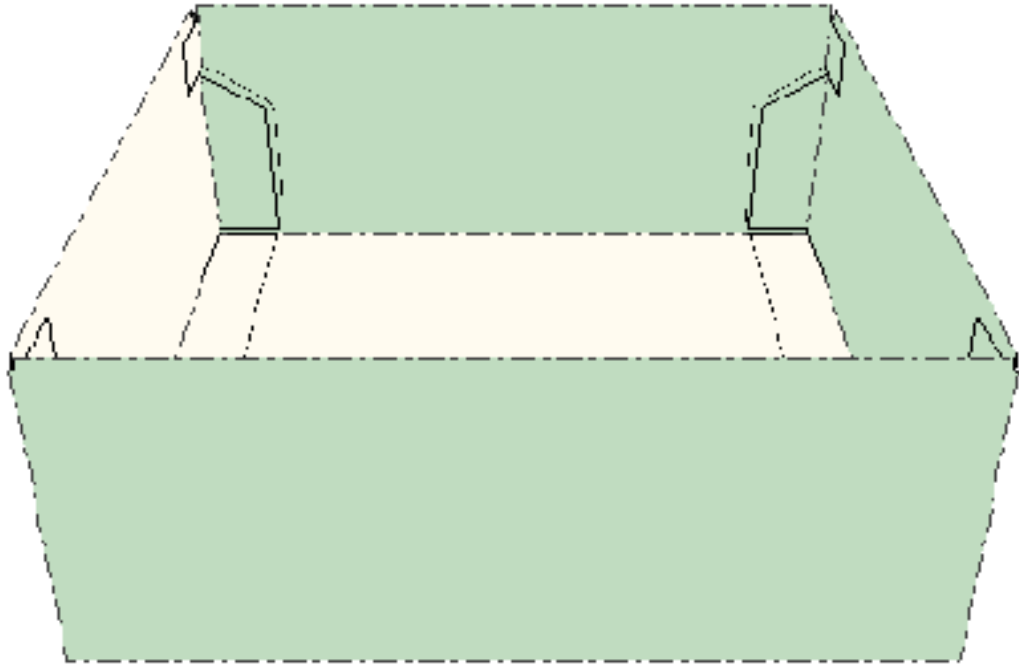
223.02.ARD - Infold/Outfold

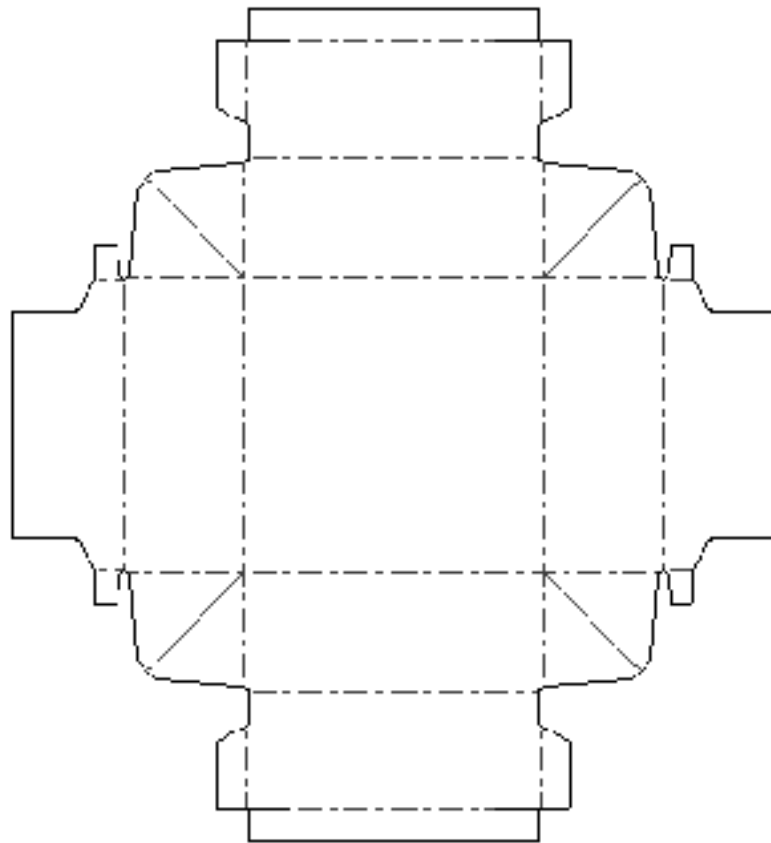




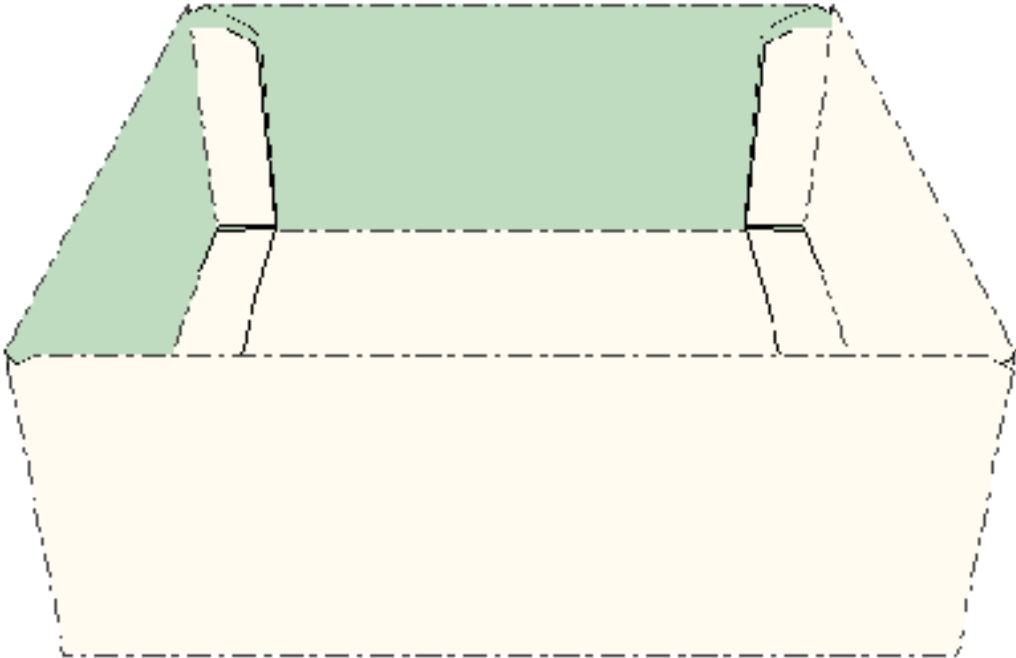
Trays/Kwikset

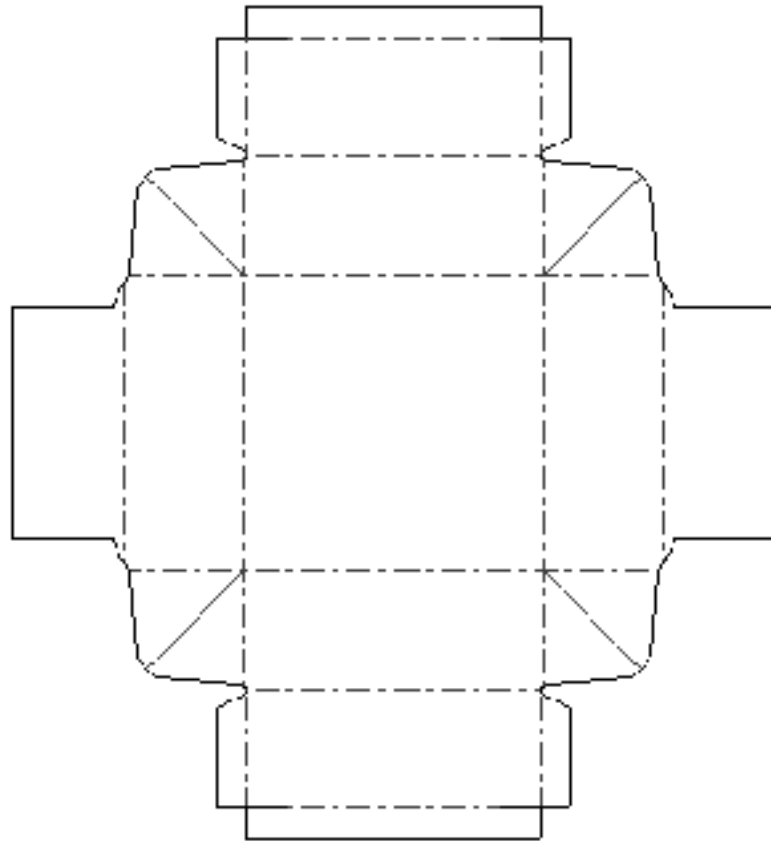
251.01.ARD - Kwikset tray with reinforcing tabs





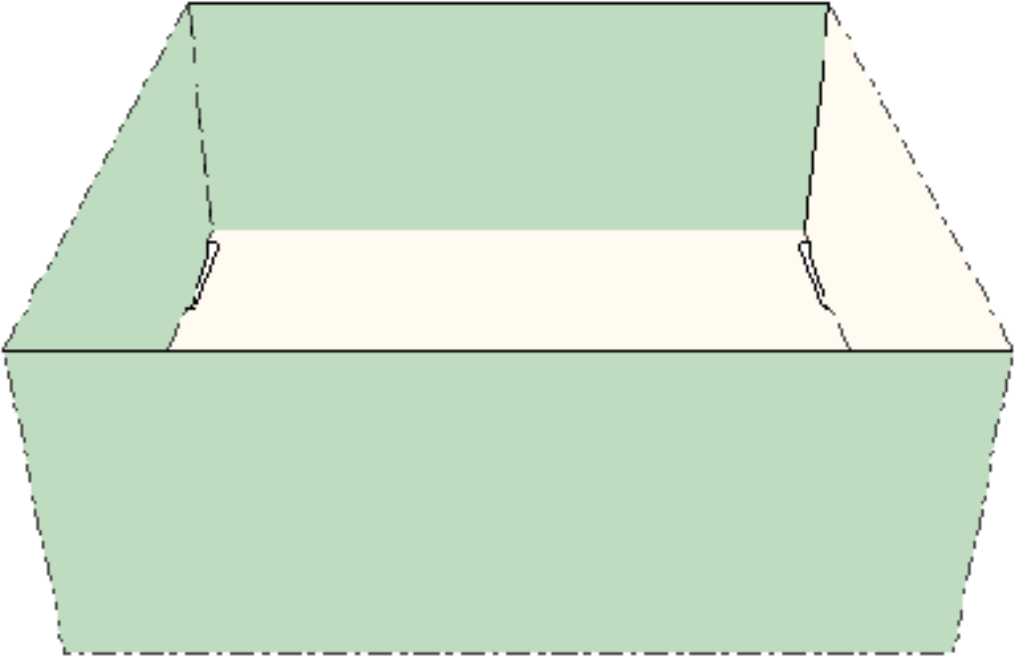
251.04.ARD - Standard Kwikset tray

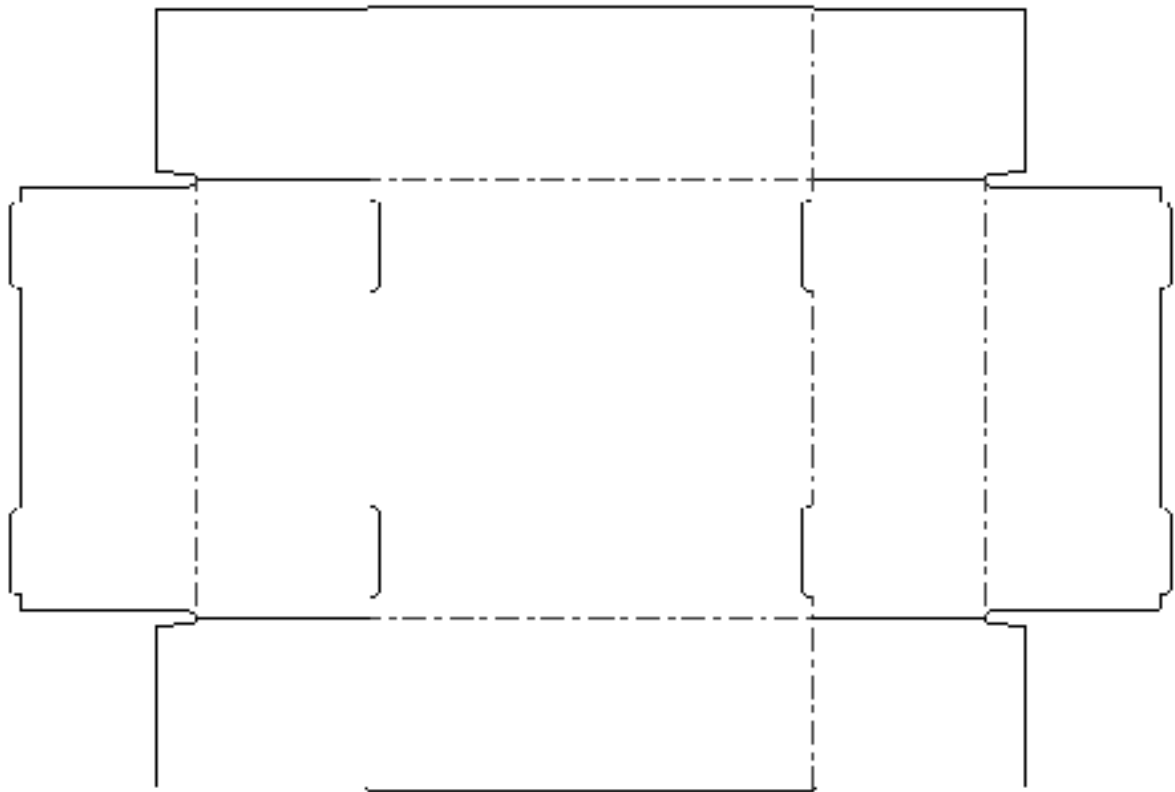




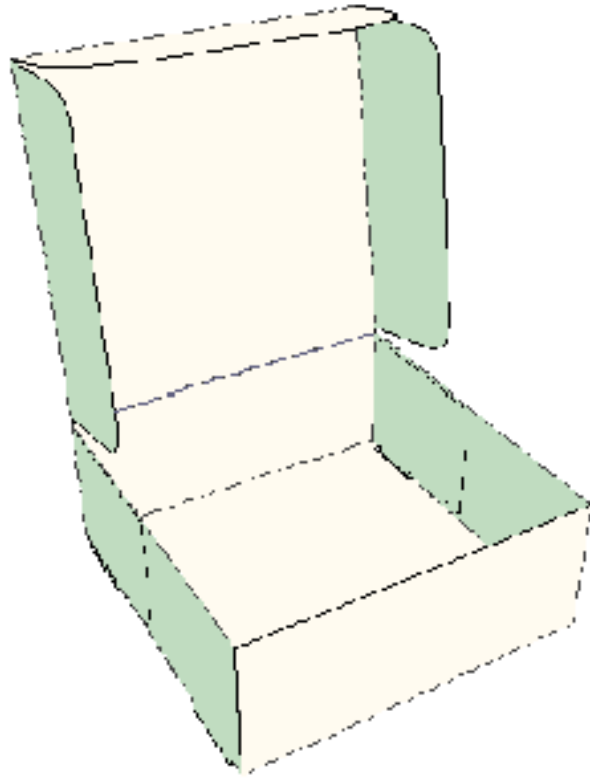
Trays/Walker locks

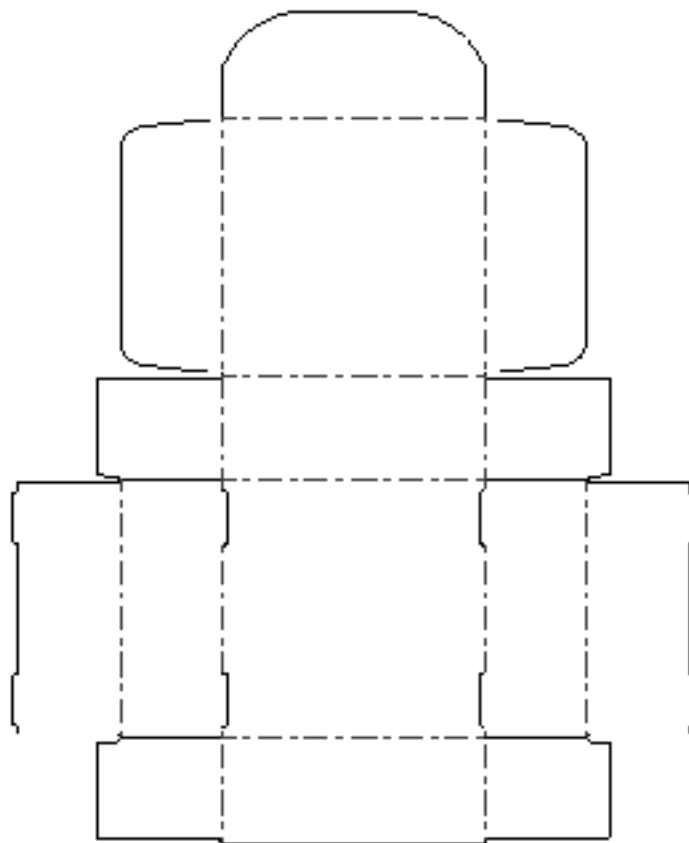
281.01.ARD - Walker lock





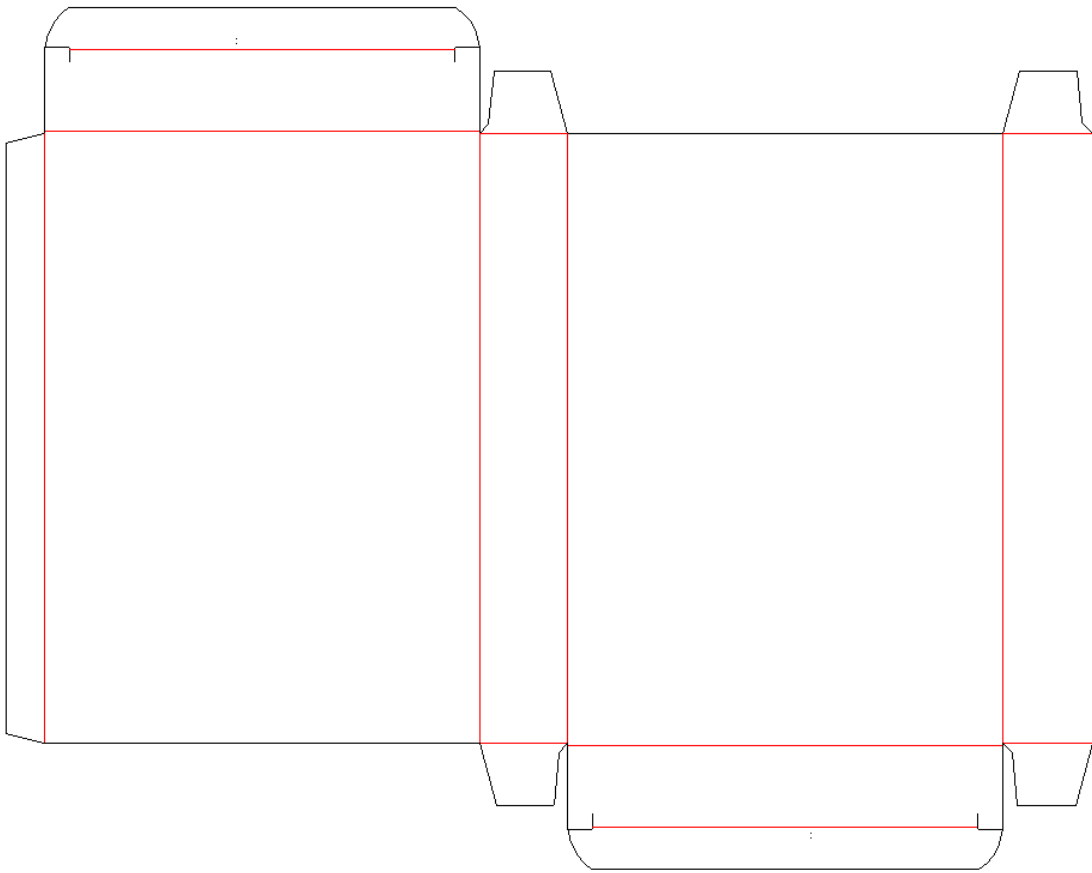
281.02.ARD - Walker lock 2/tri-seal lid

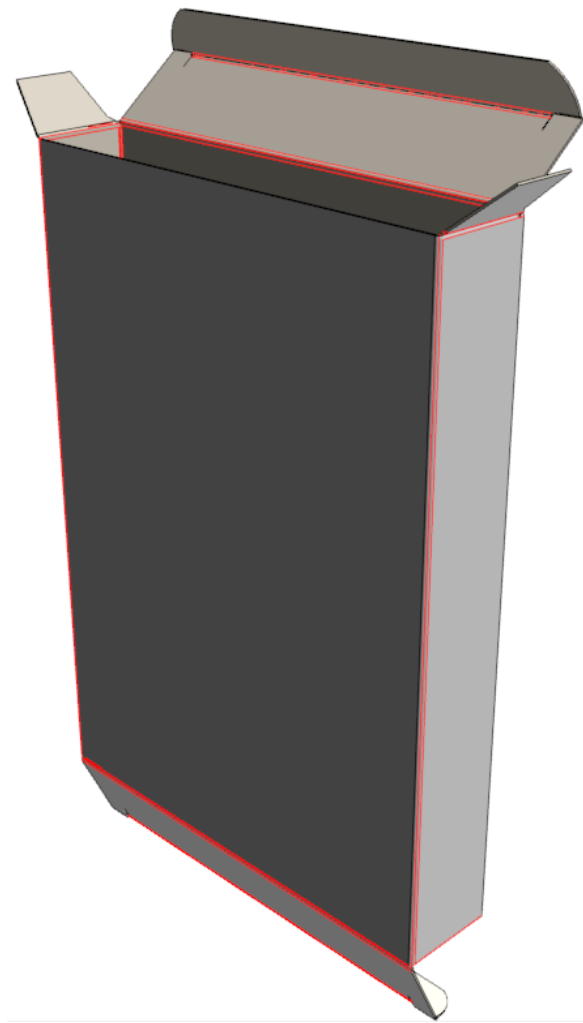




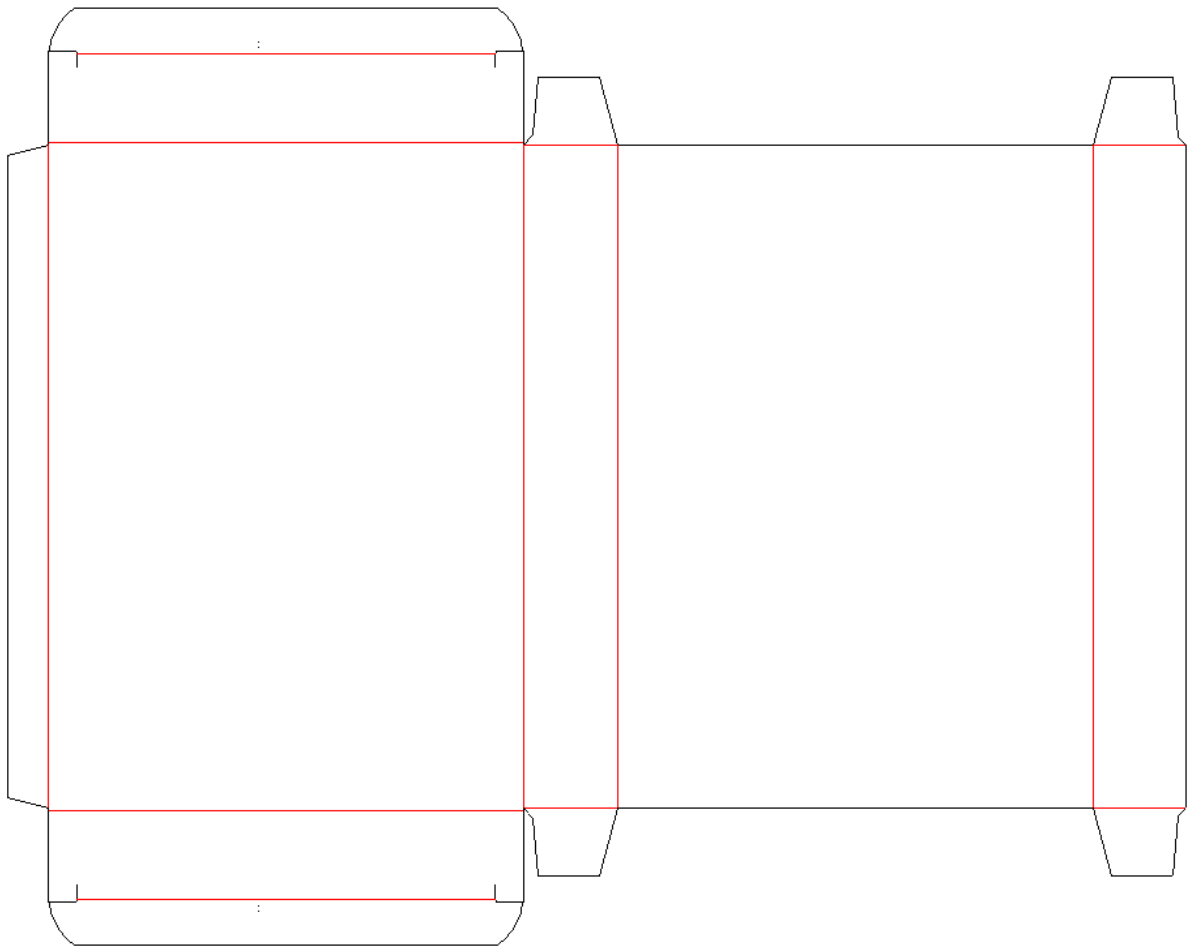
ECMA

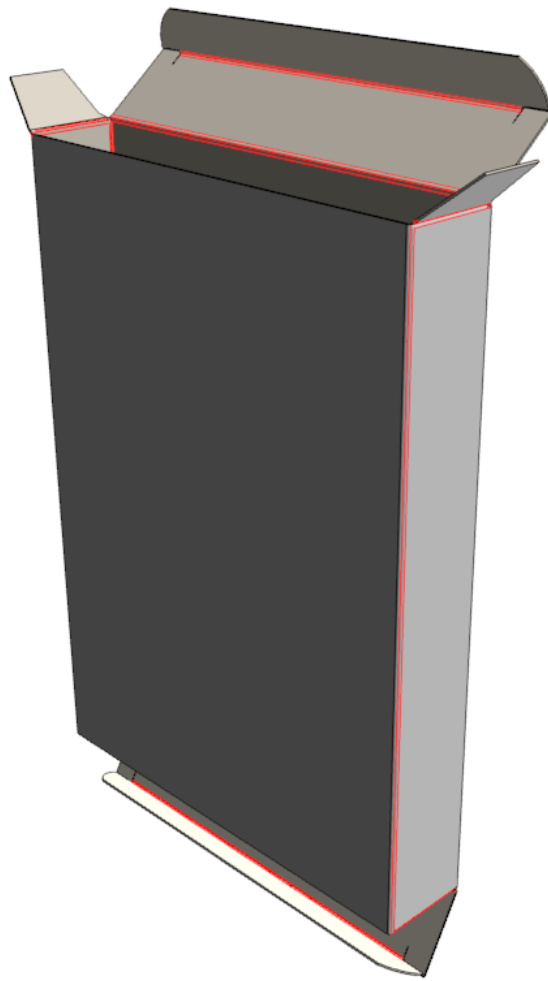
100.01



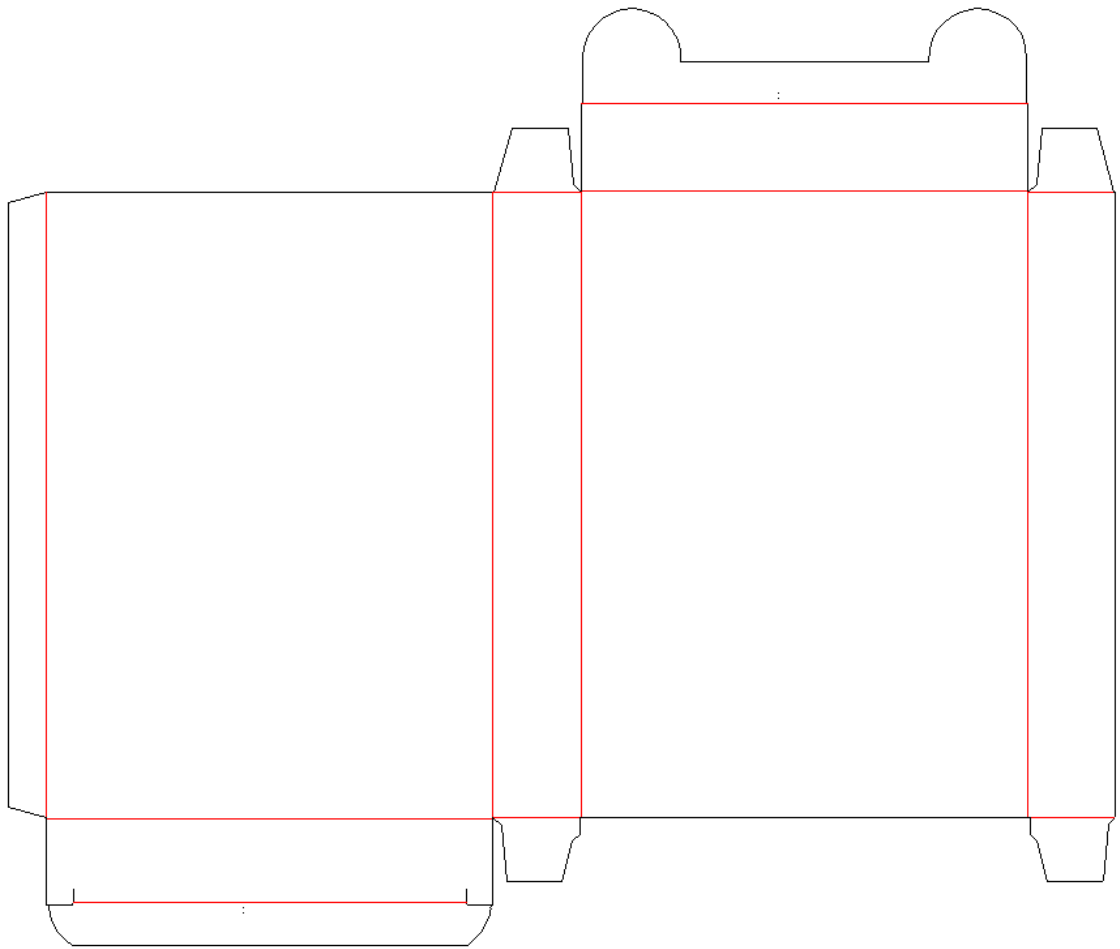


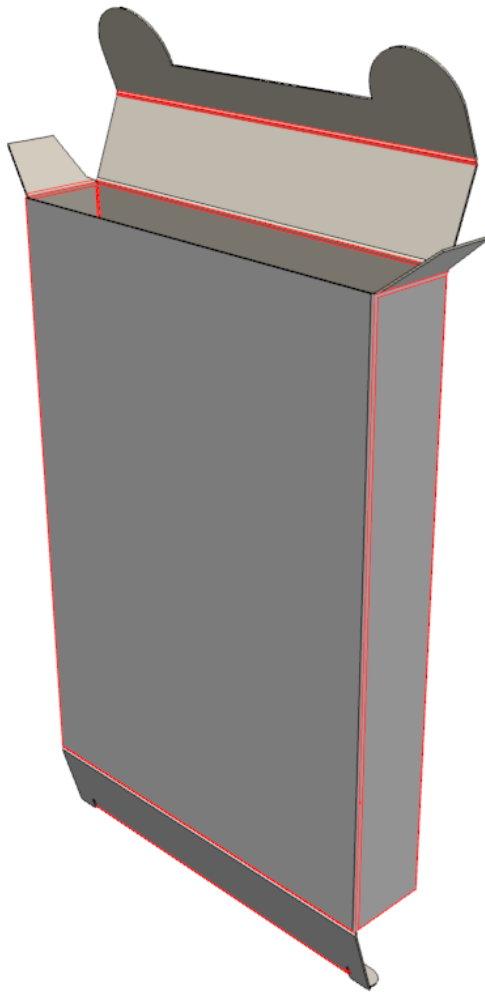
110.01



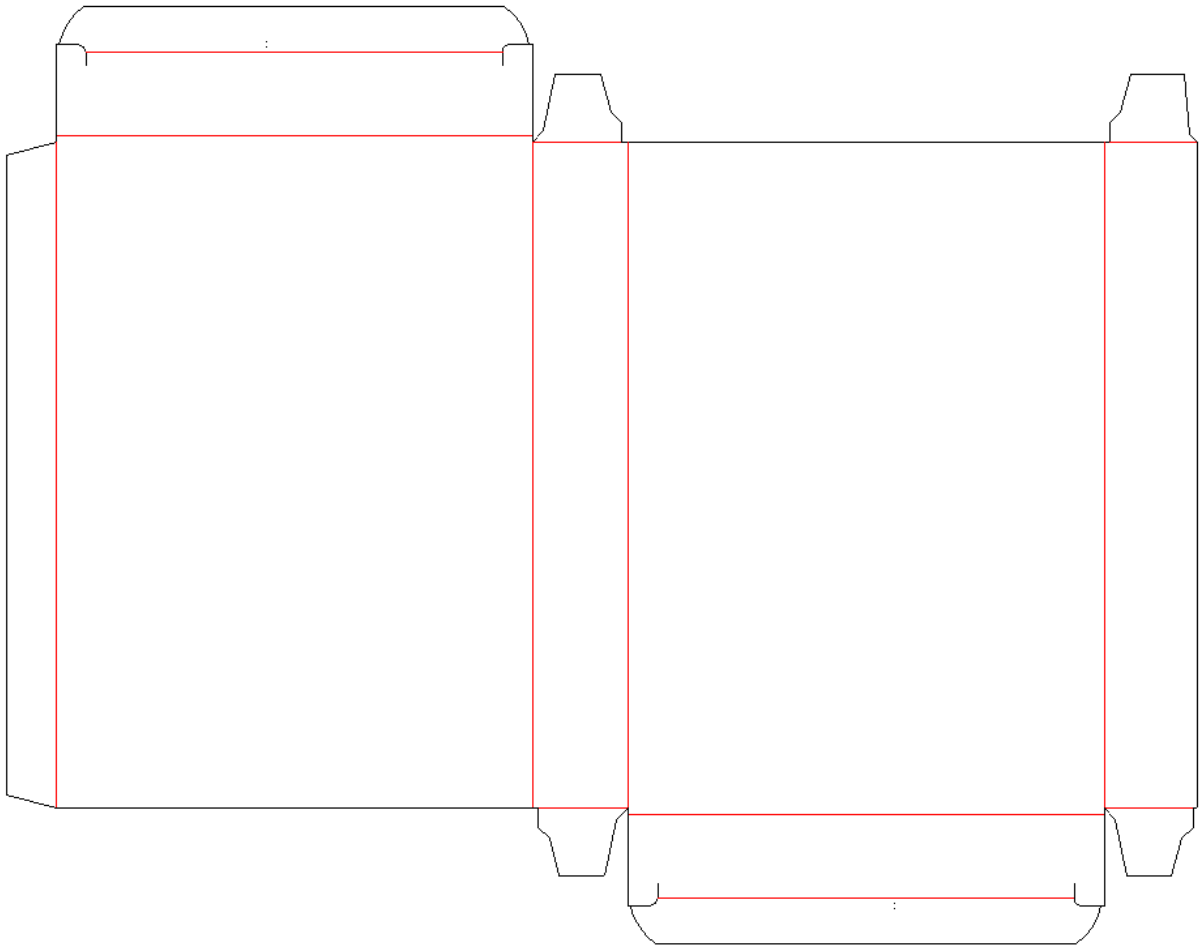


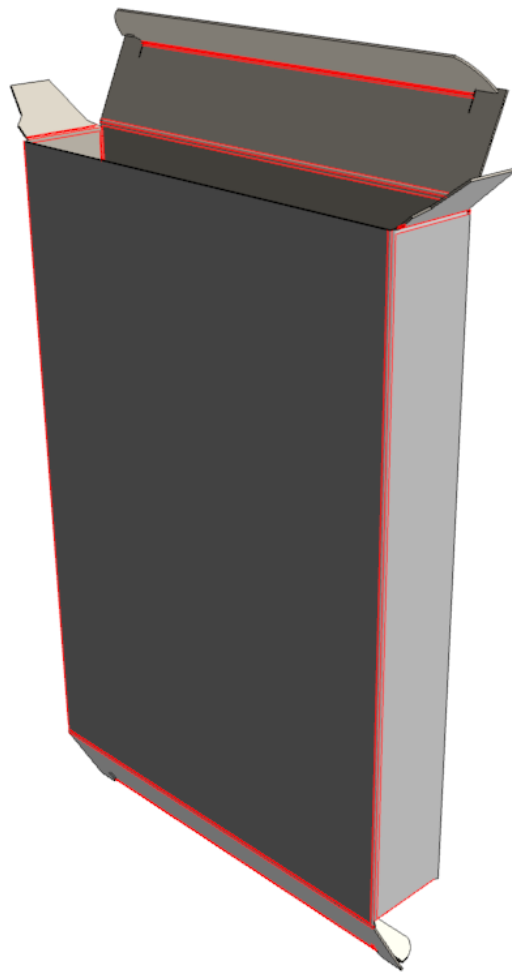
120.01



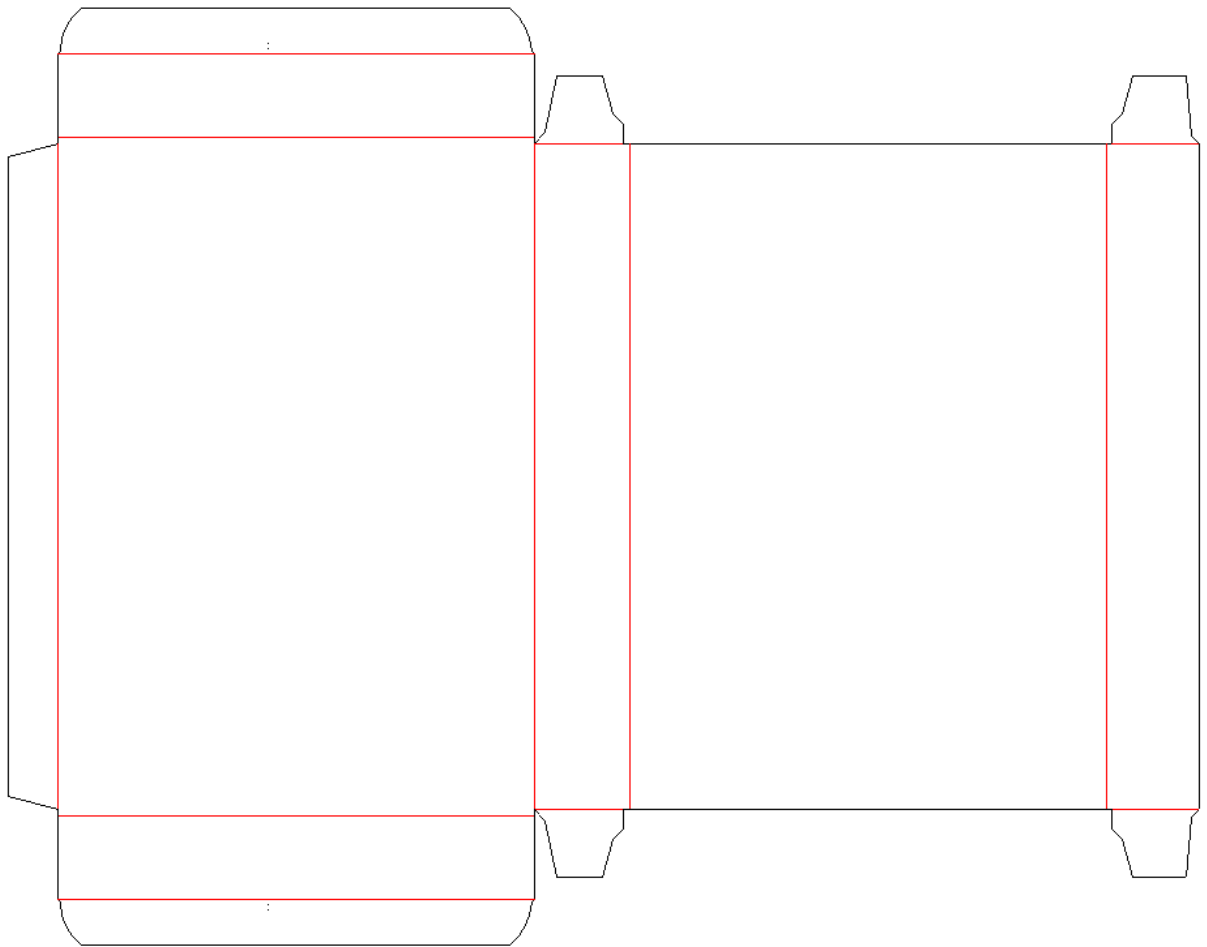


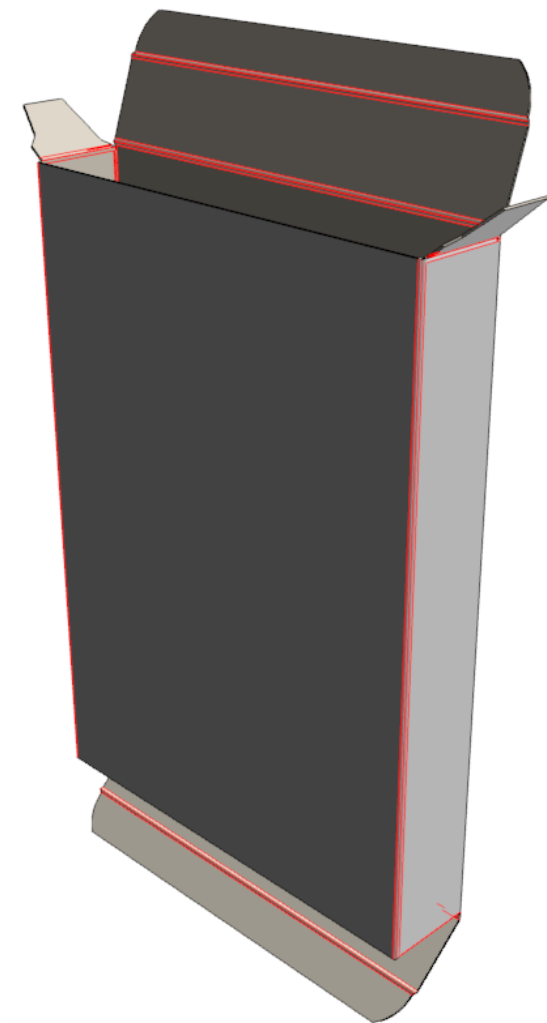
130.01



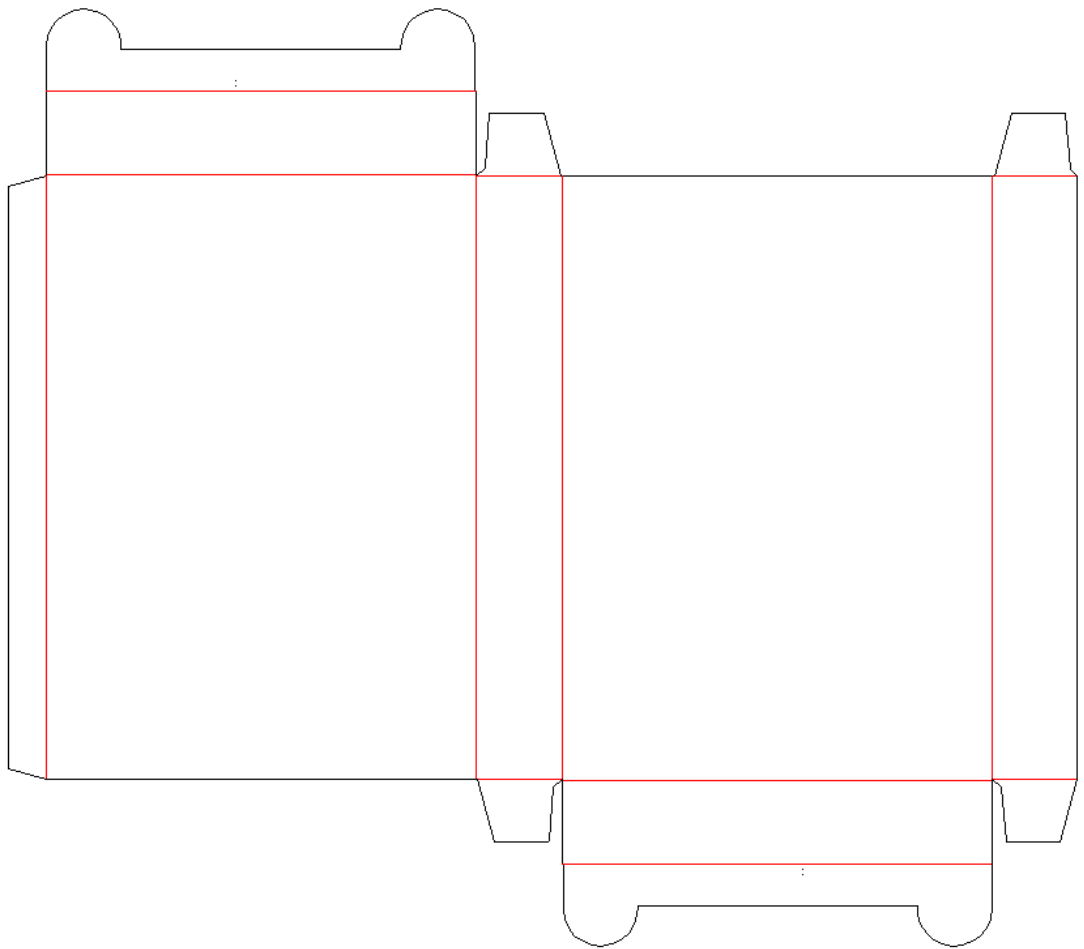


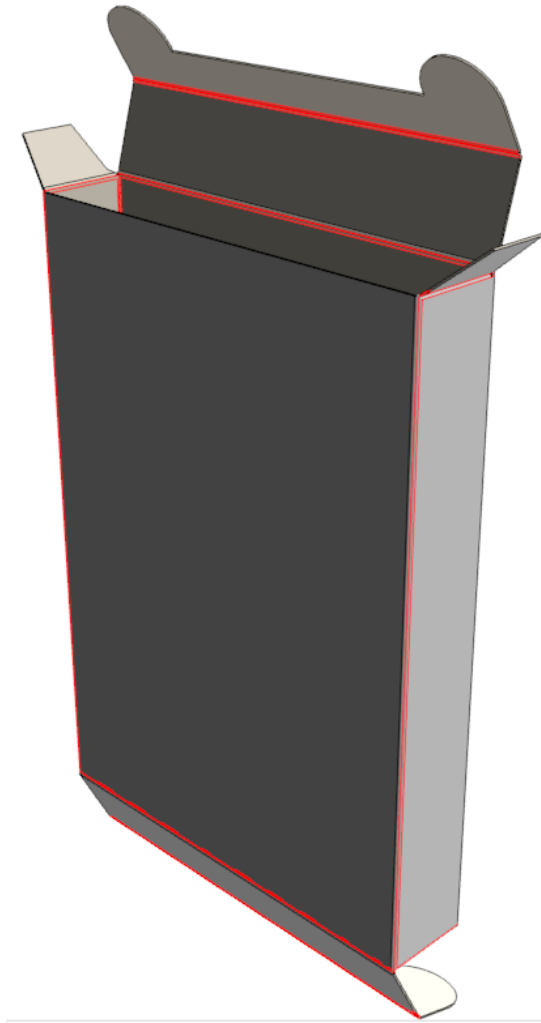
140.01



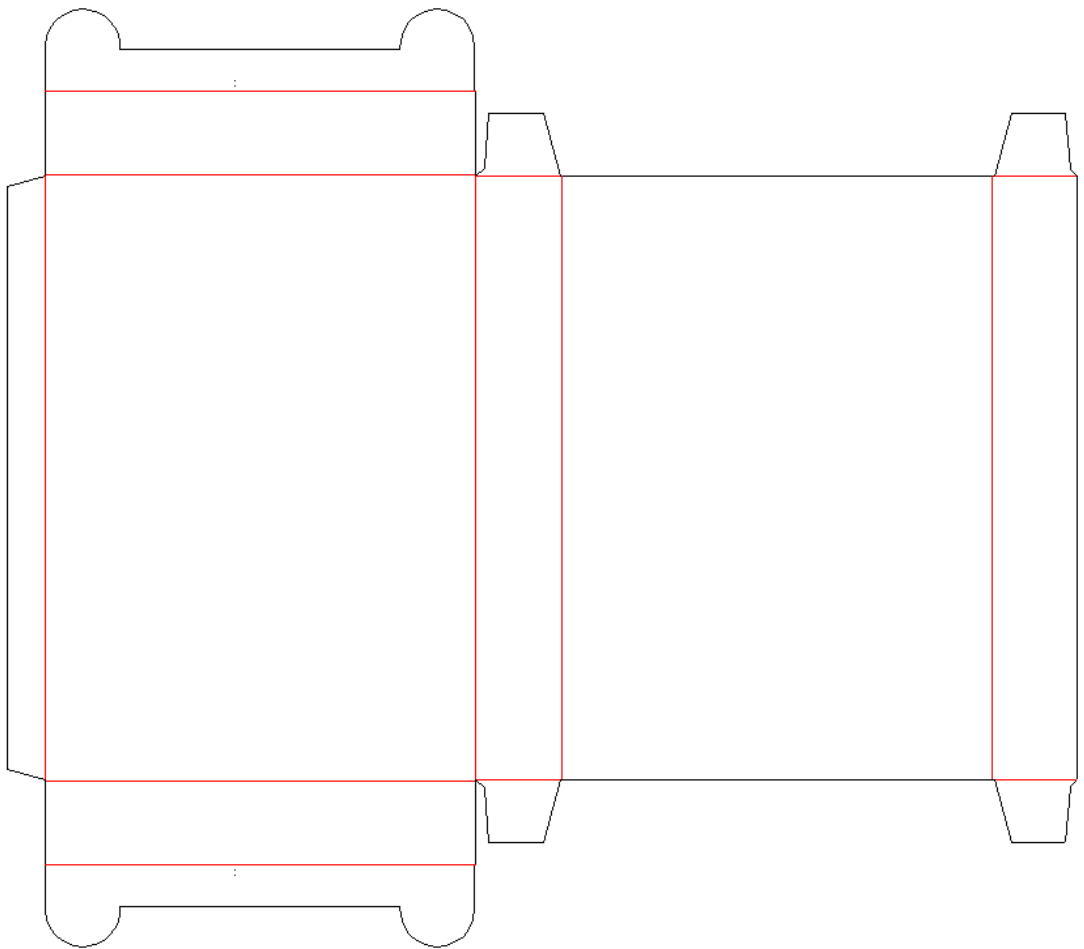


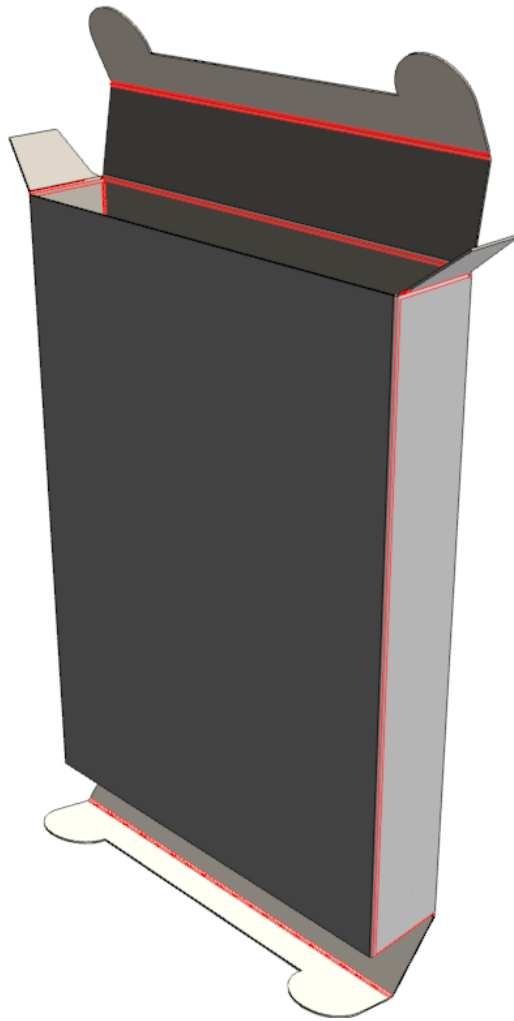
150.01



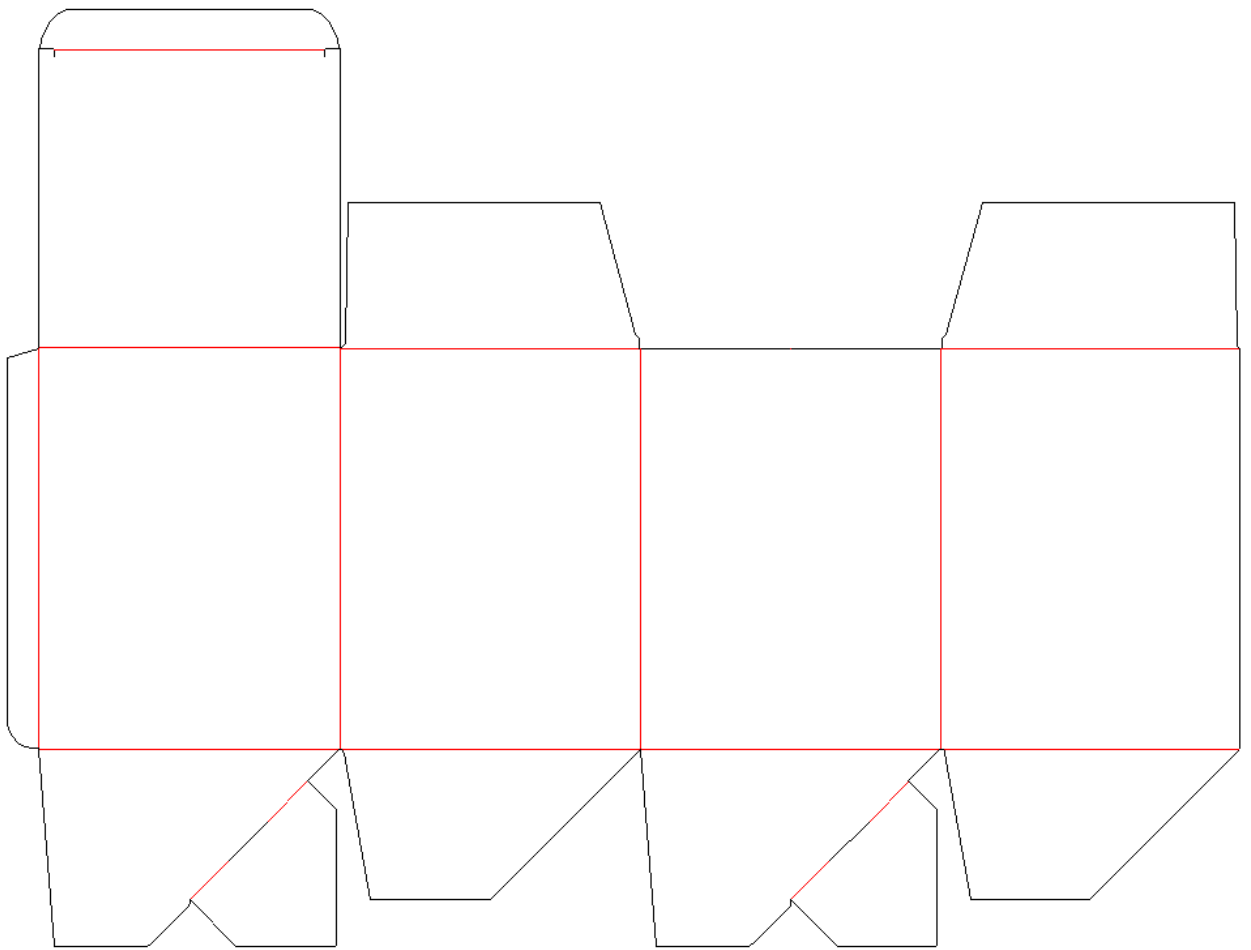


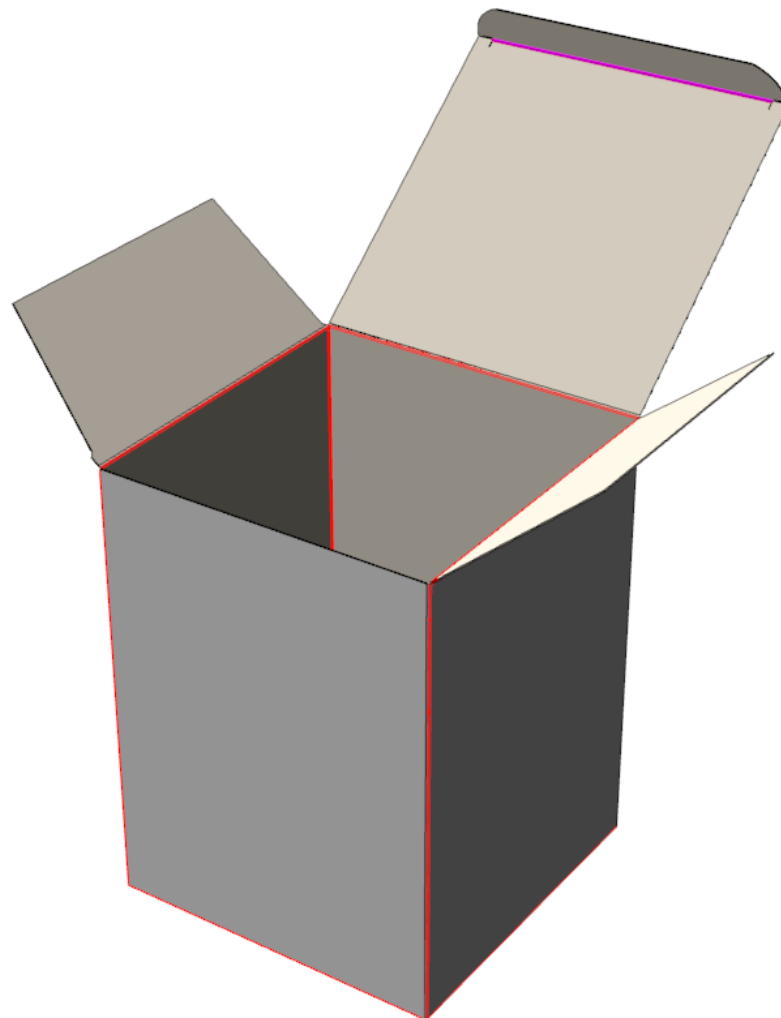
160.01



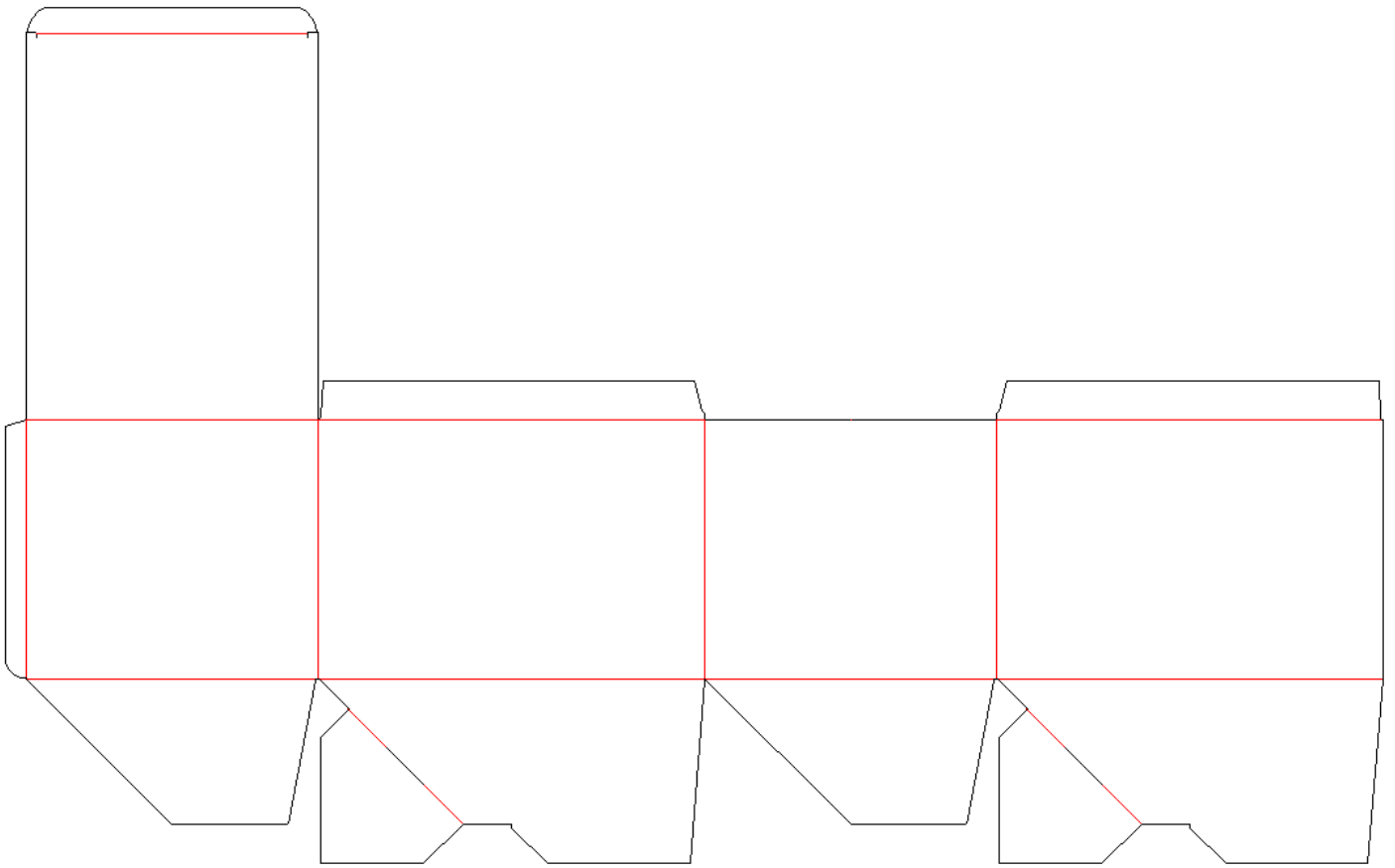


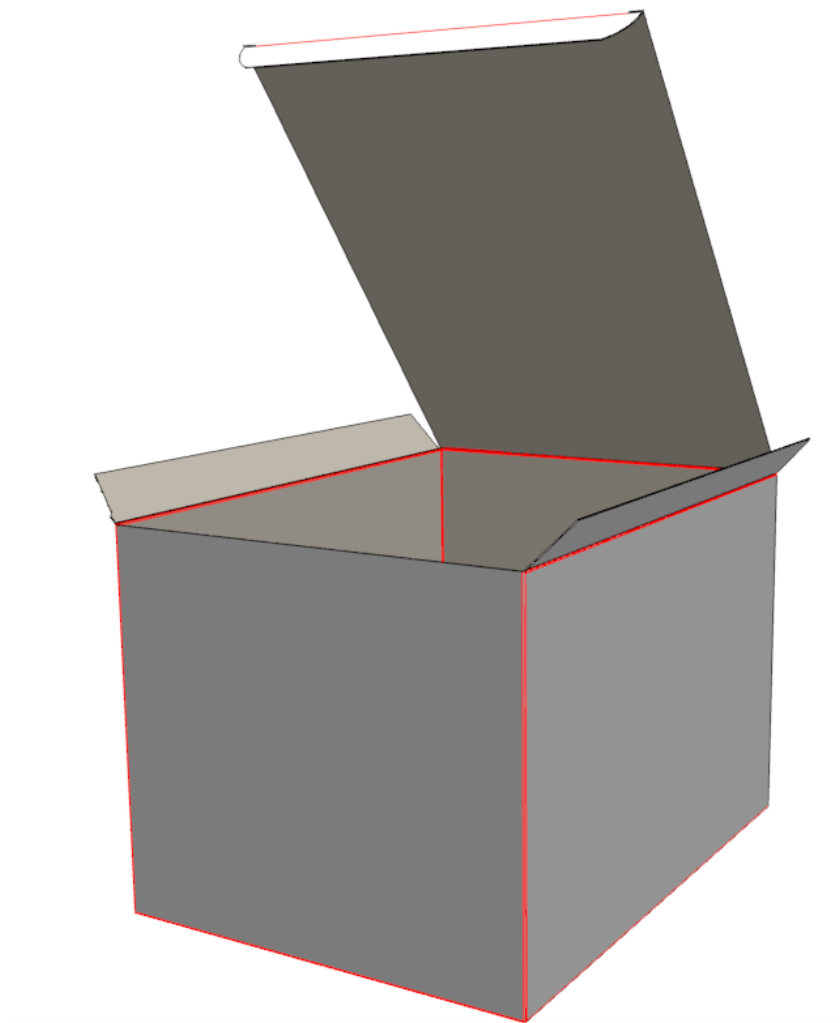
170.01



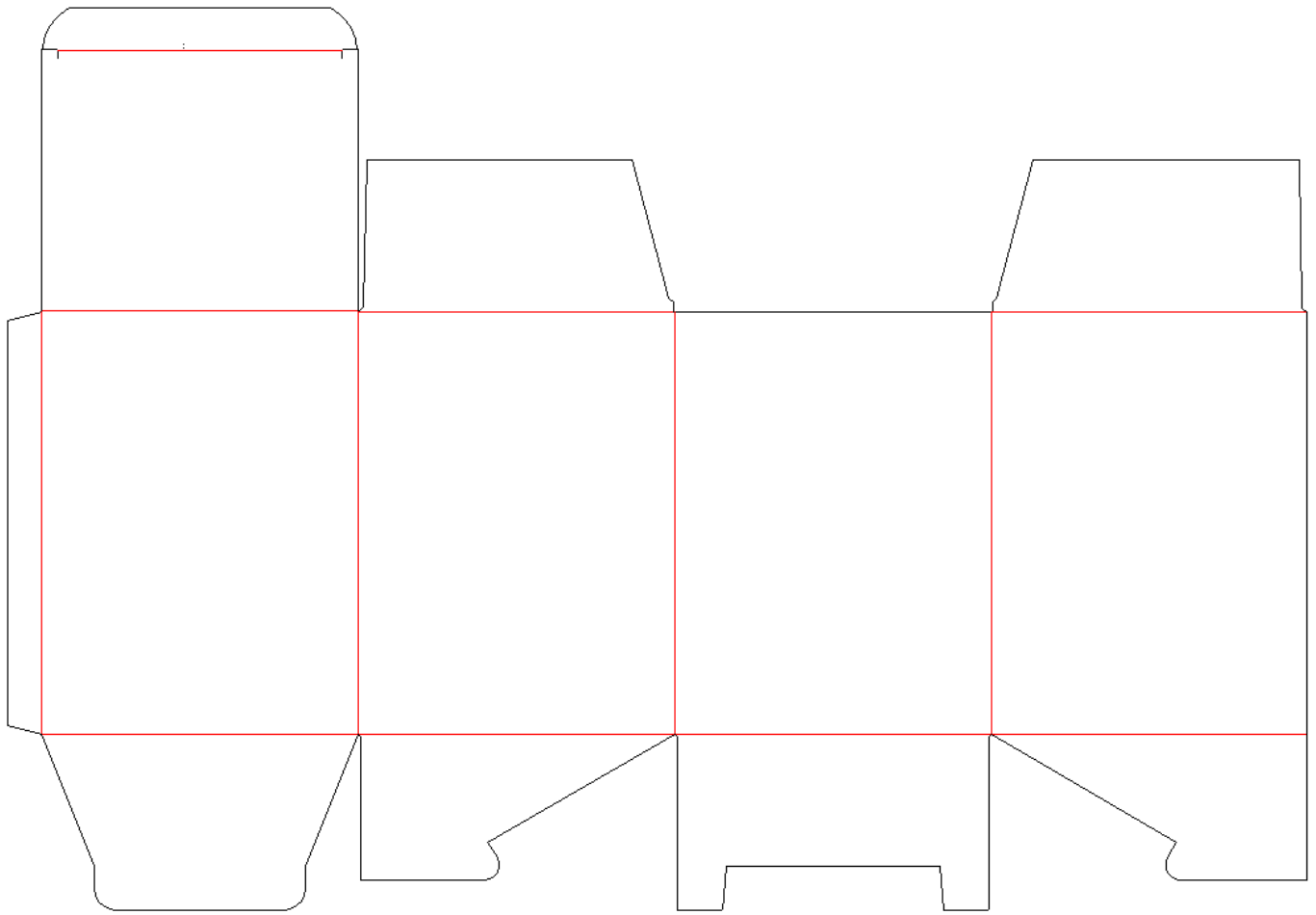


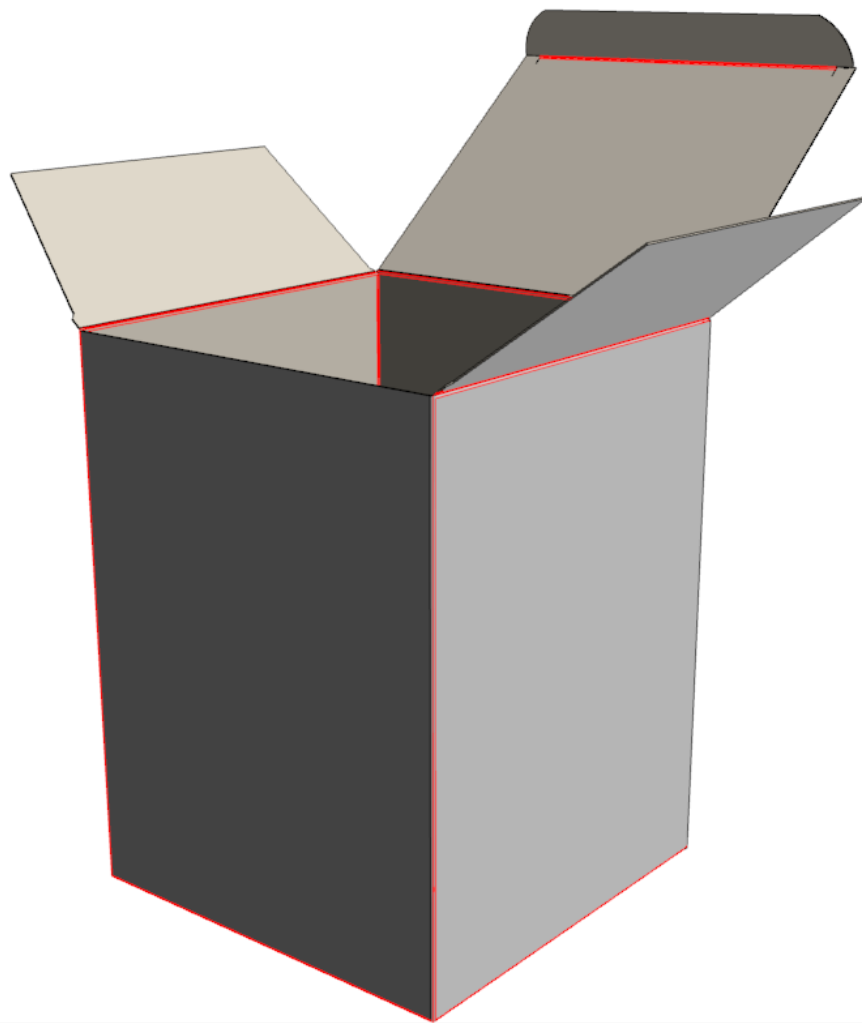
171.01



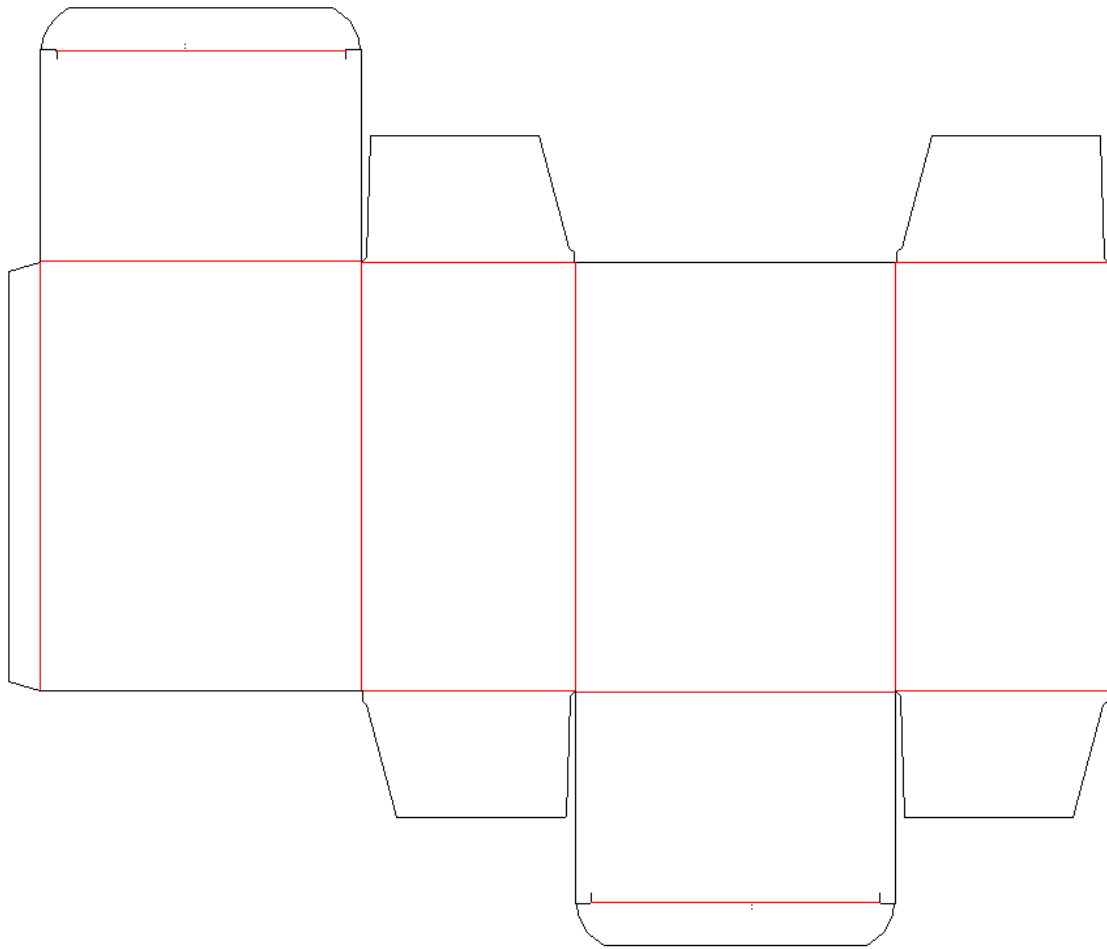


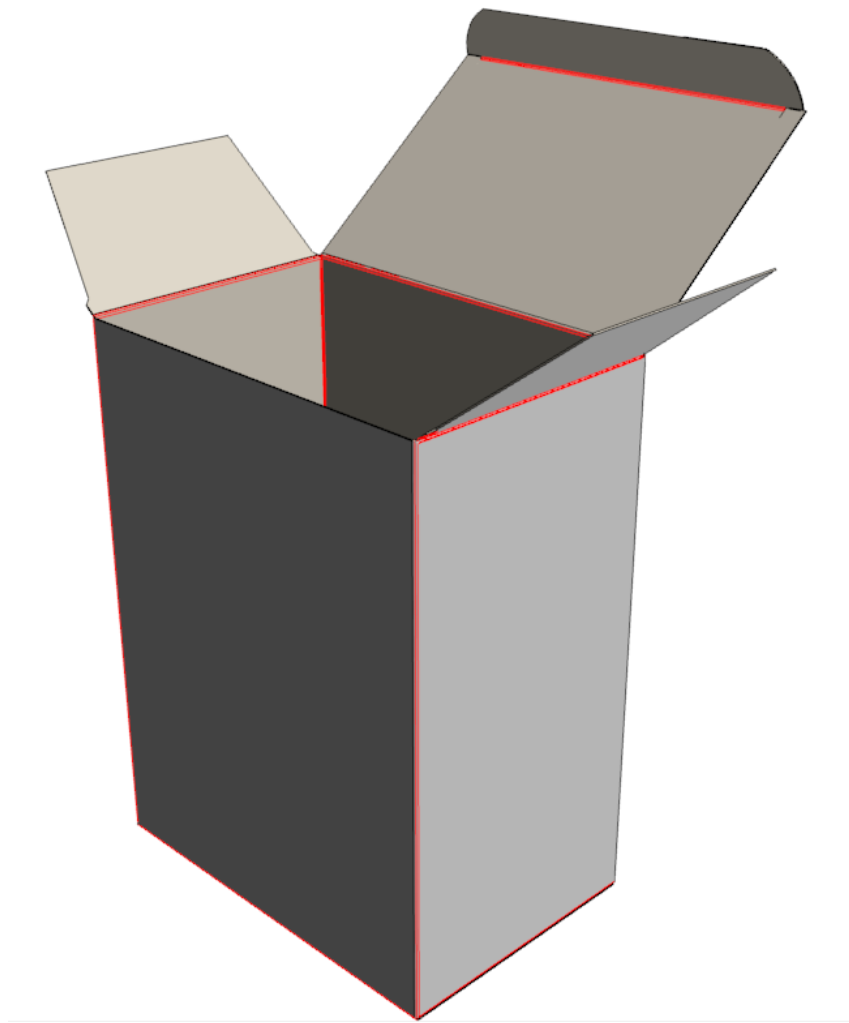
180.01



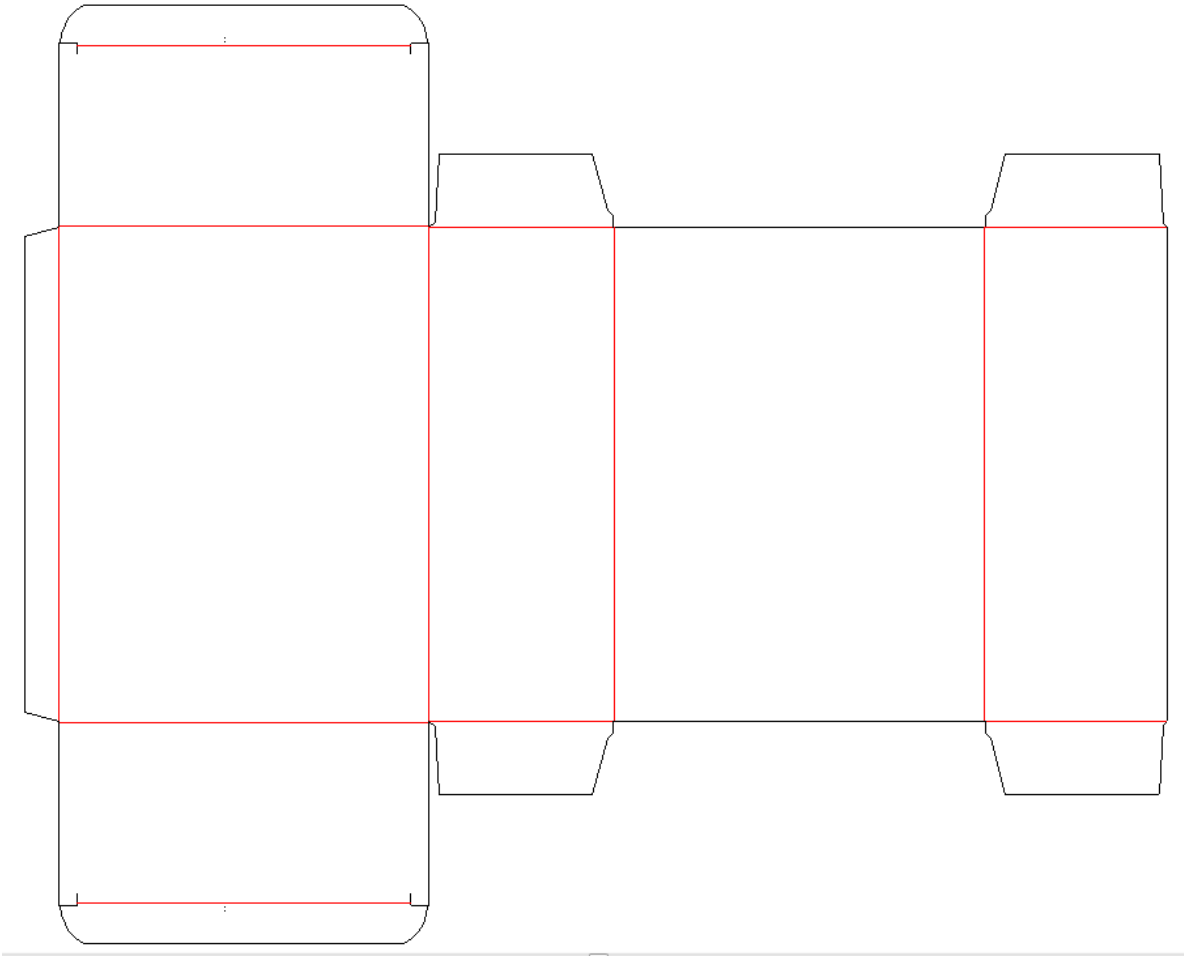


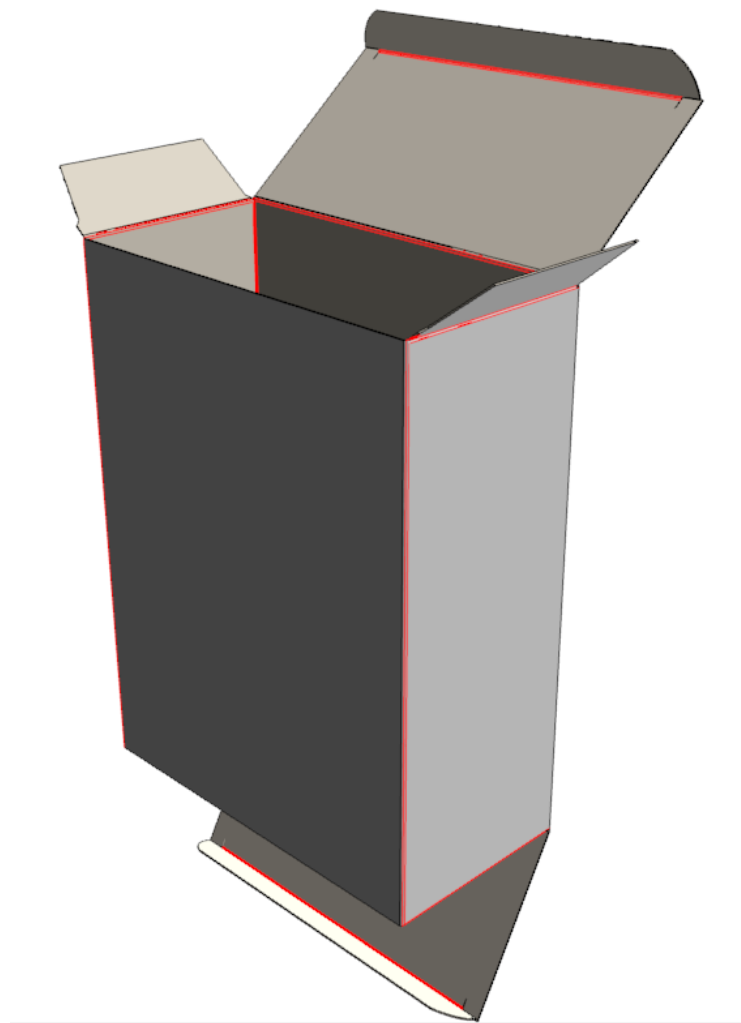
50.01a



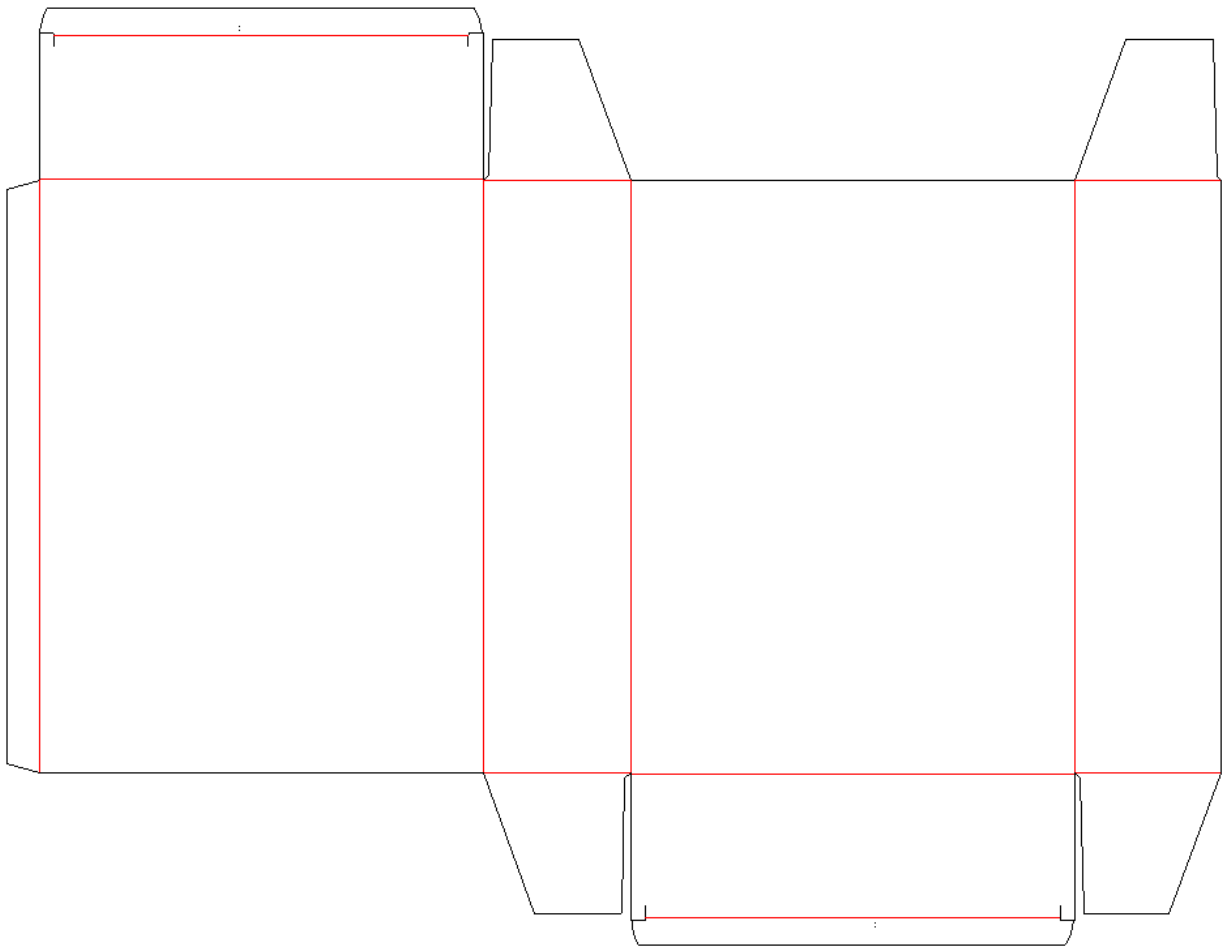


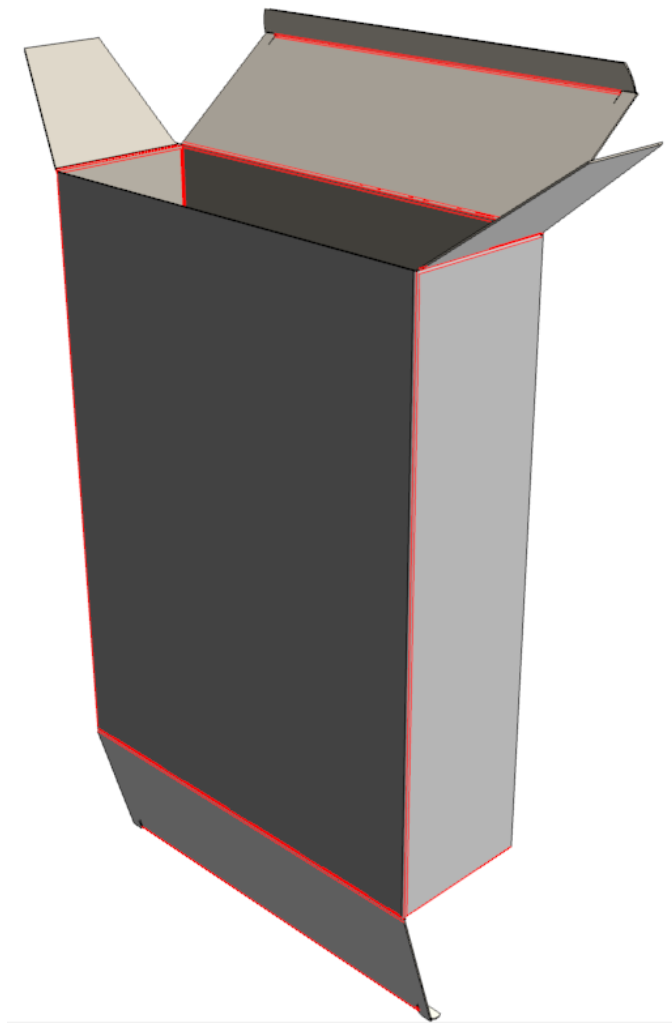
60.01



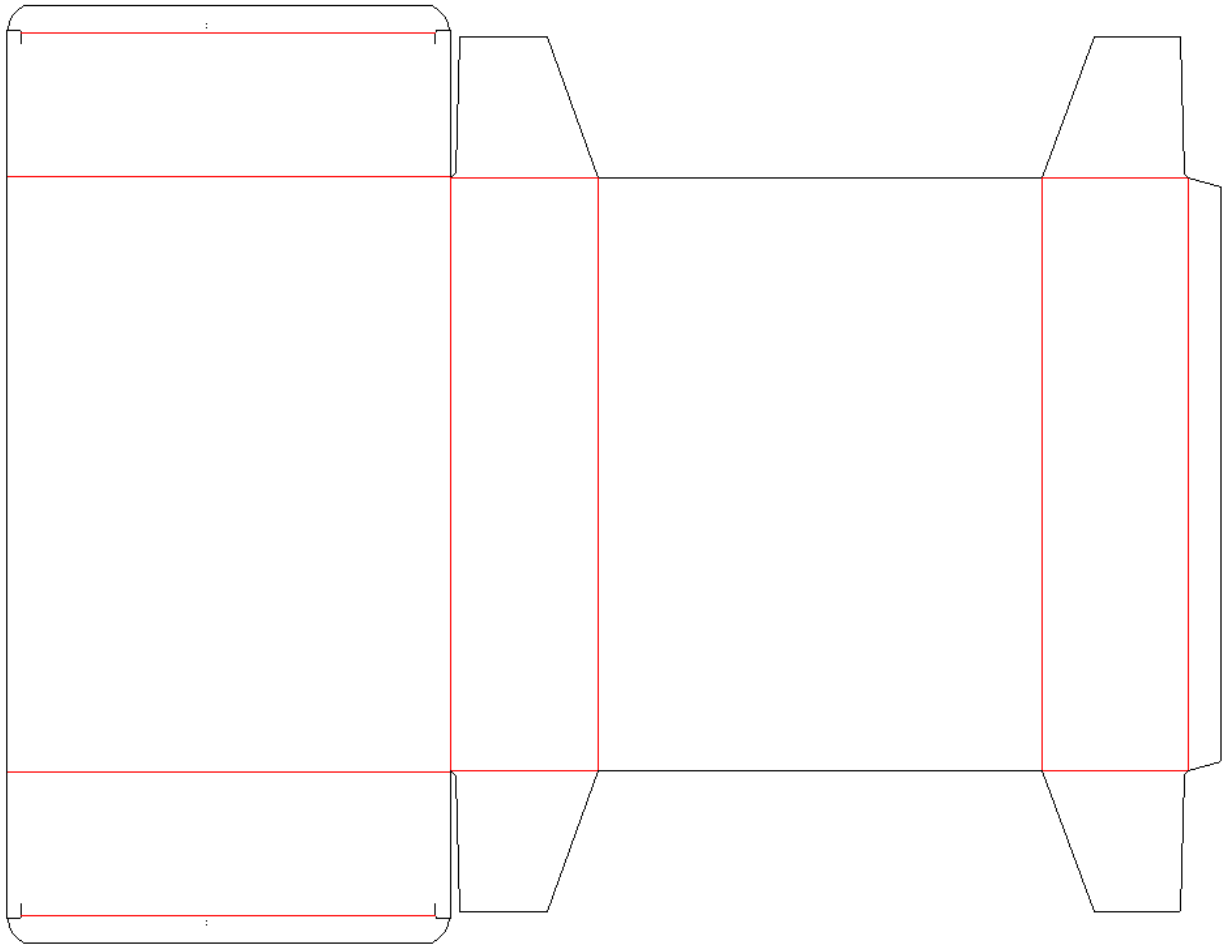


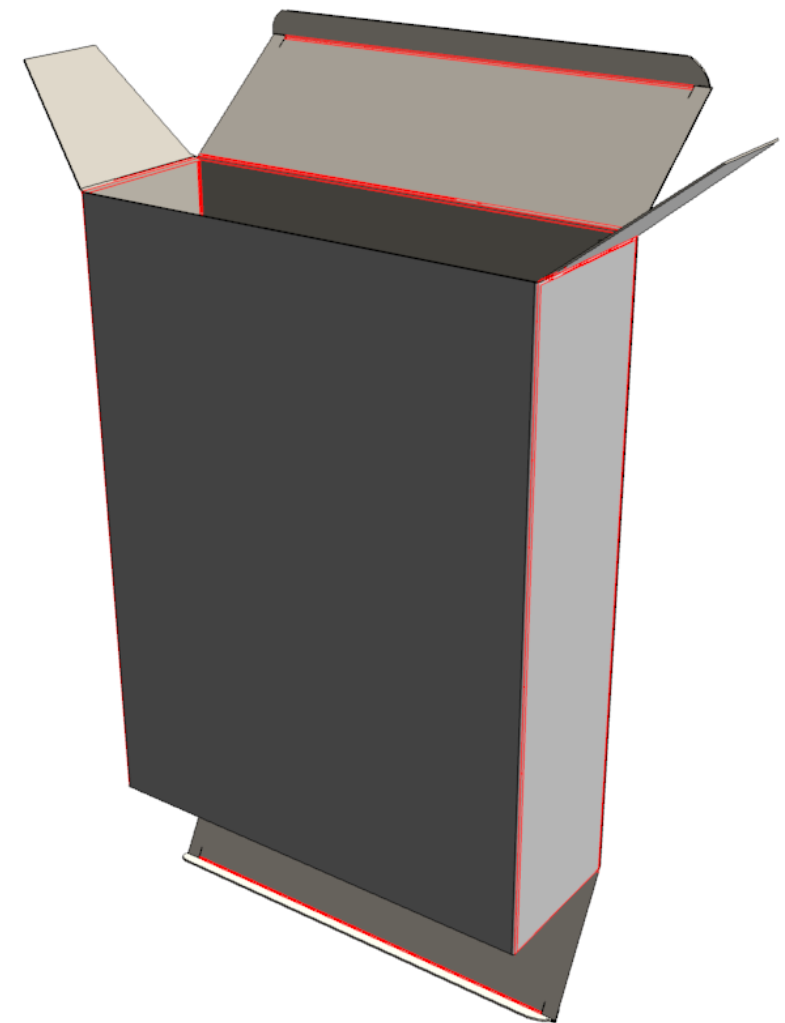
70.01



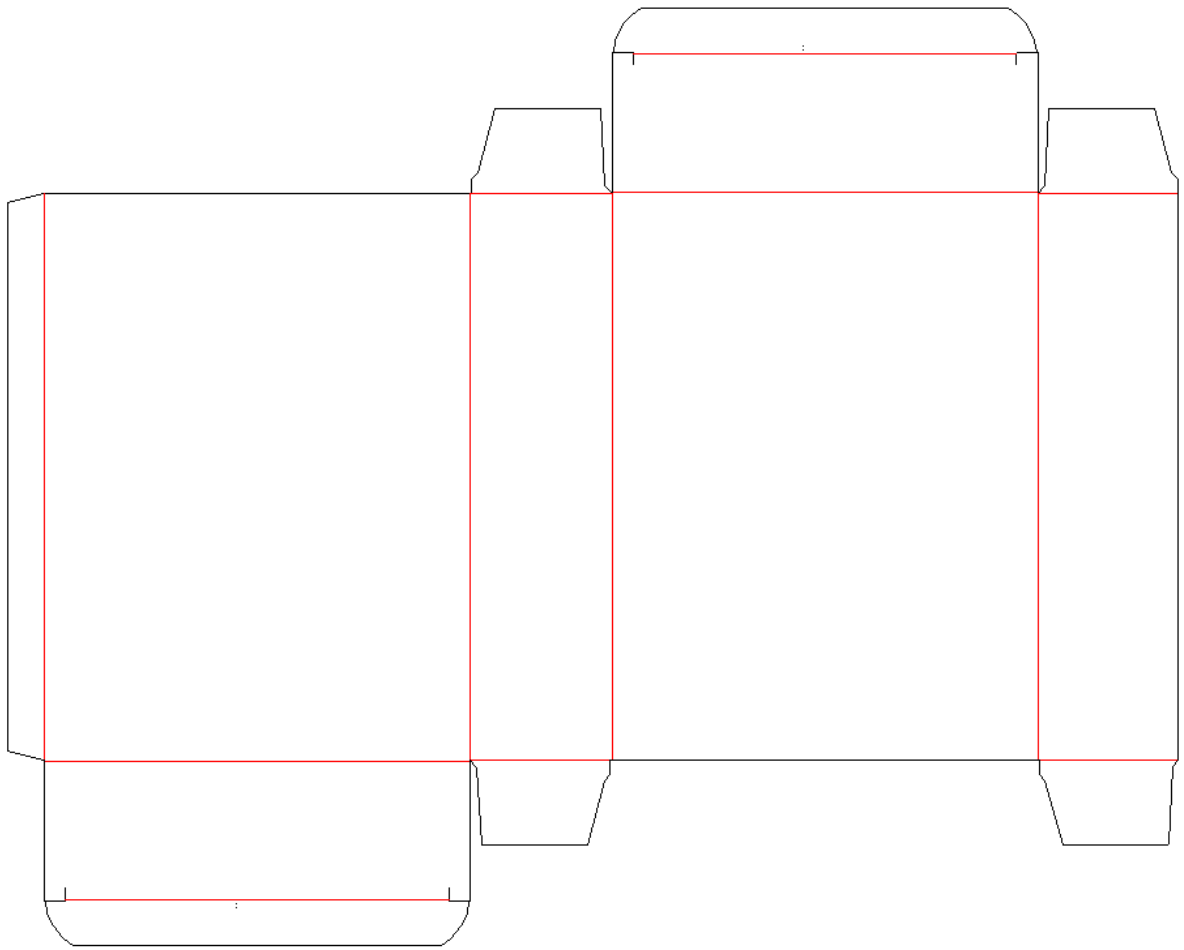


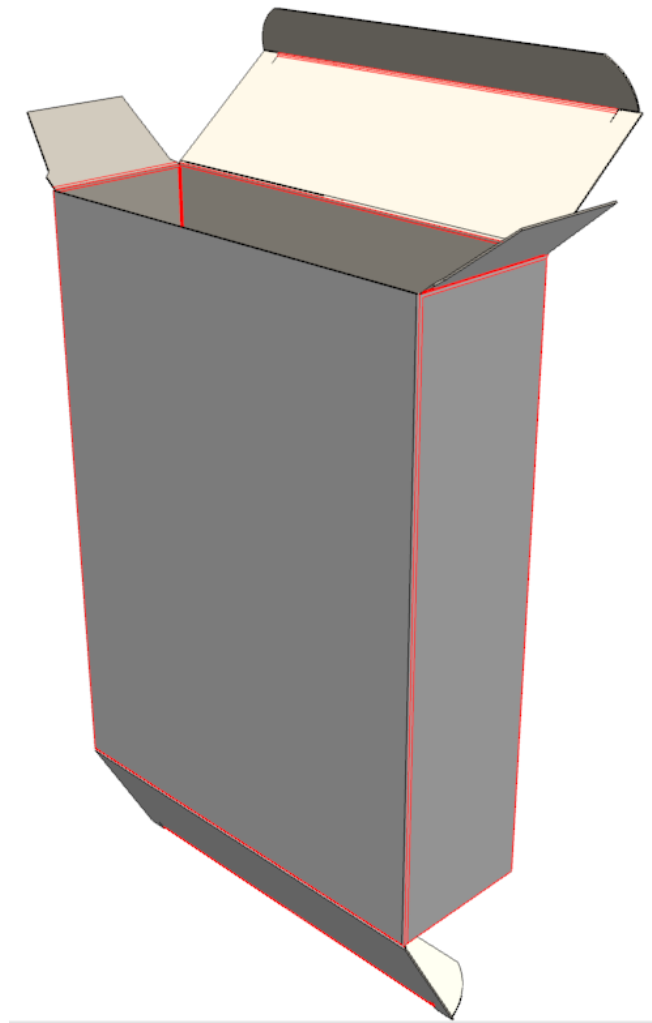
80.01





90.01





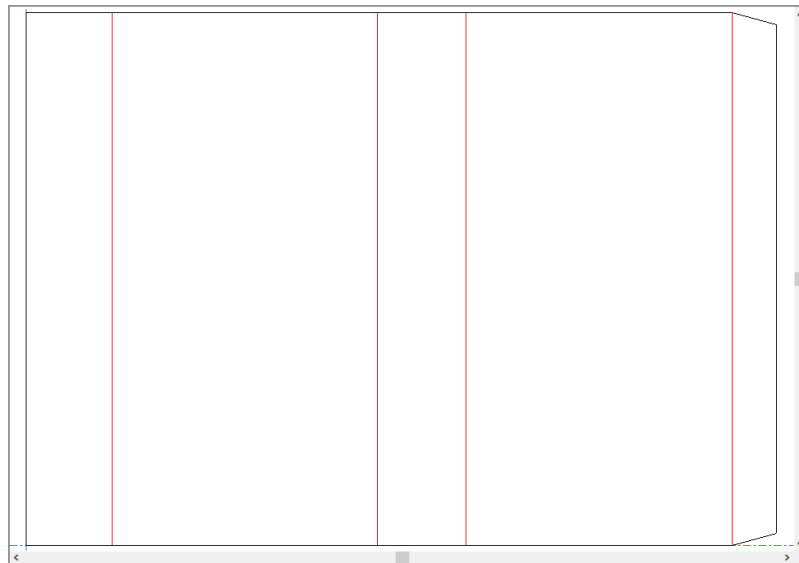
6. Resizable Design Templates

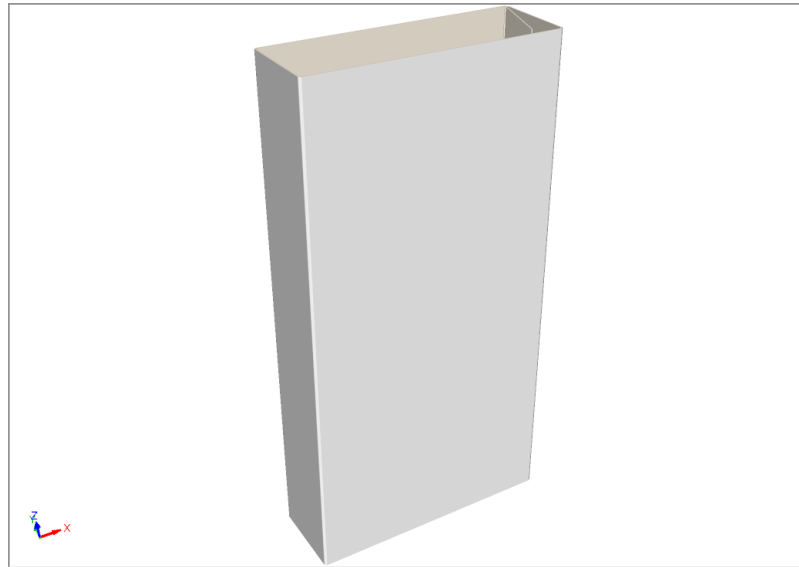
The standard styles in this chapter have associated geometry macros in the Geometry Macro Catalog with which you can replicate their parts in your own designs. They also have documentation spreadsheets in `InstLib` in the `ECMA` and `FEFCO` folders in which you can find specific information about their construction.

ECMA

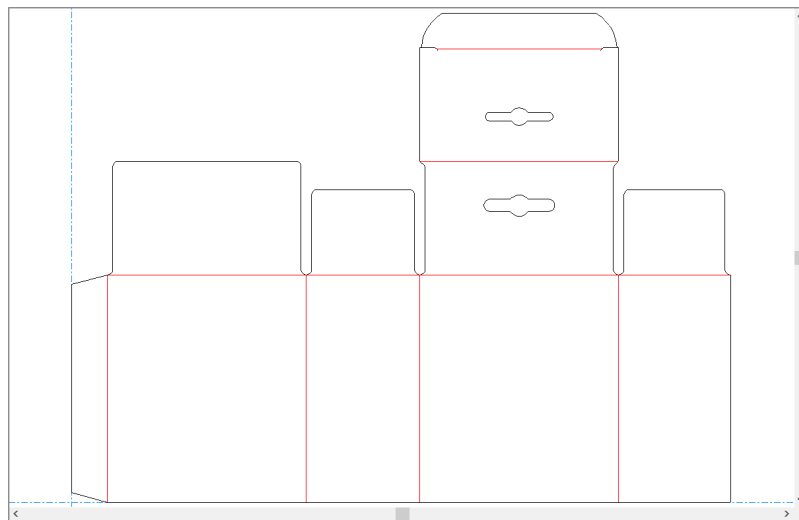
A Series

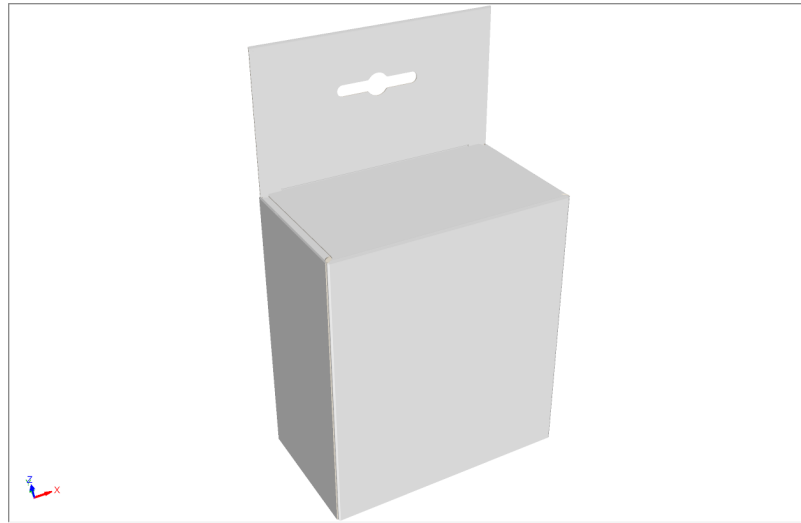
A01.01.00.00



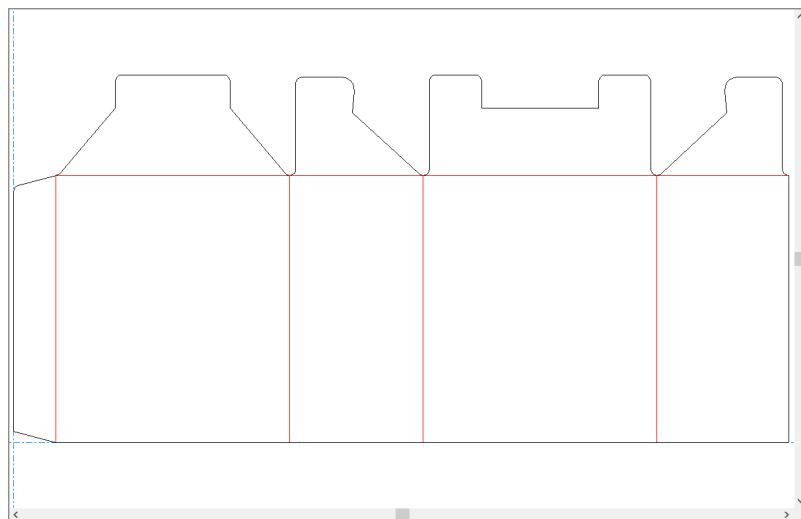


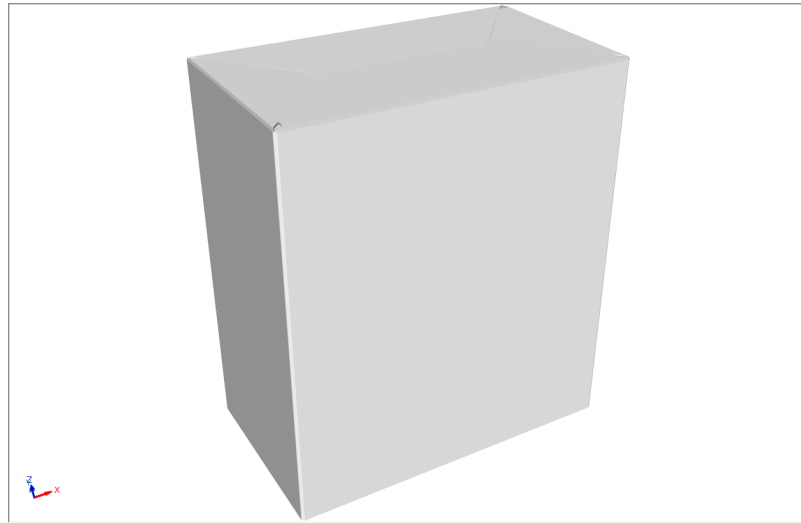
A01.15.00.03



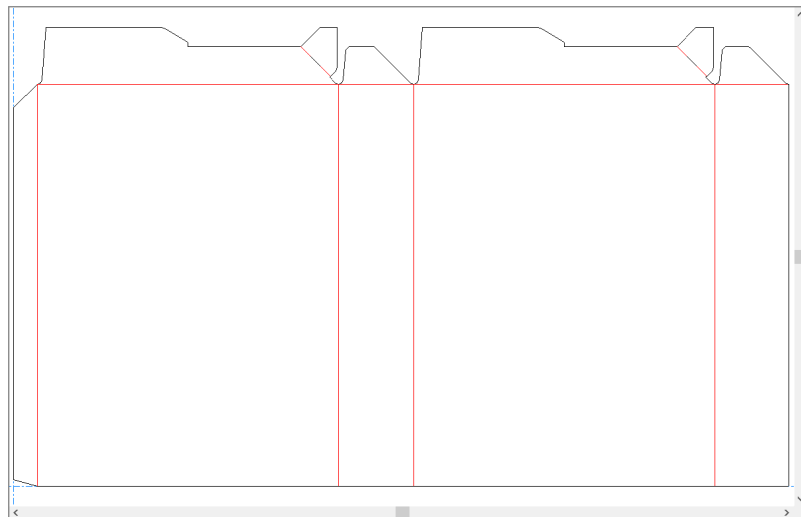


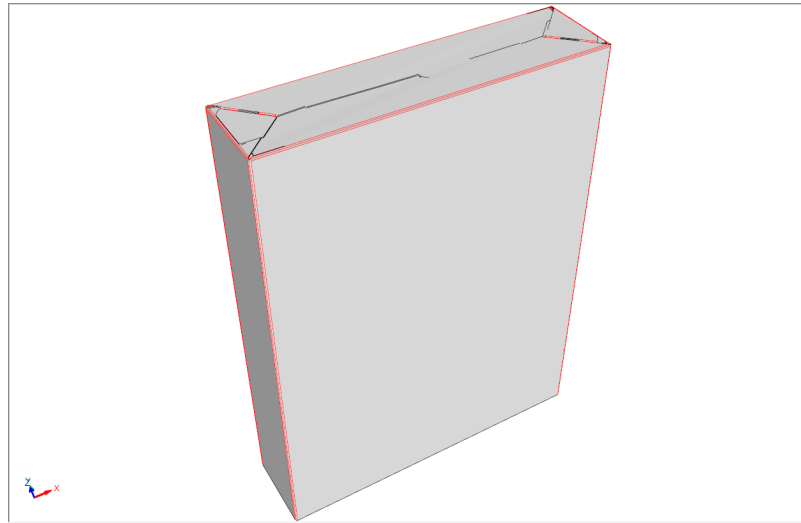
A01.55.00.01



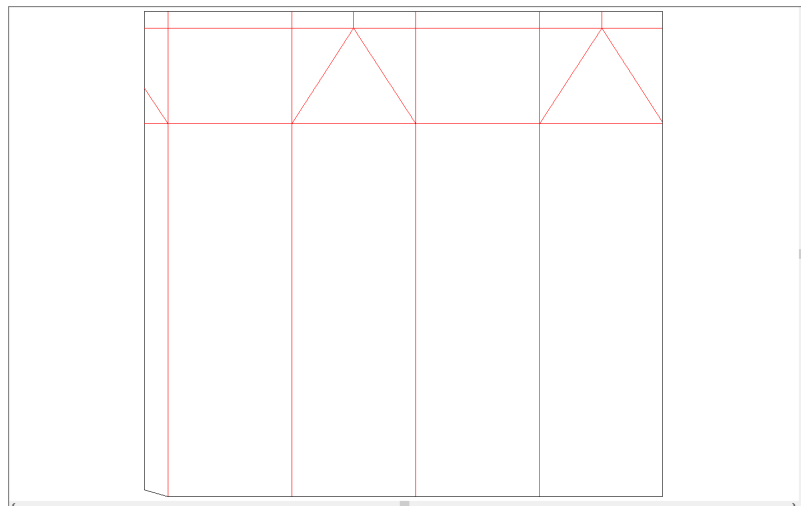


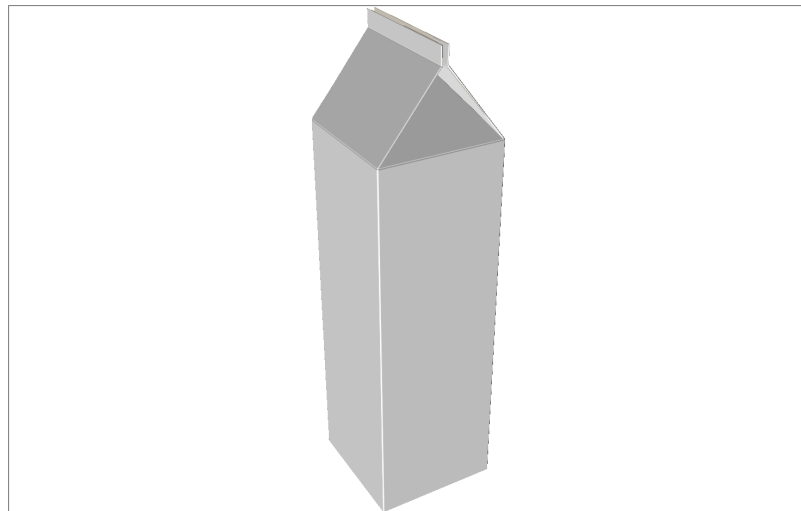
A01.60.00.00



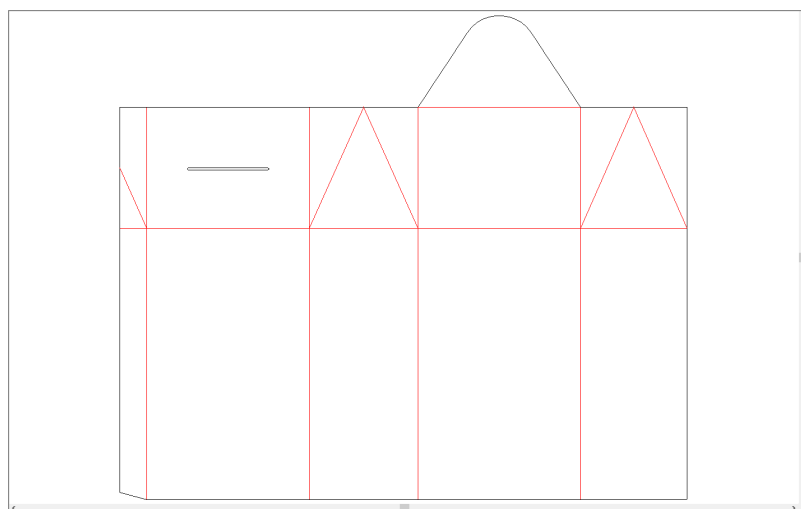


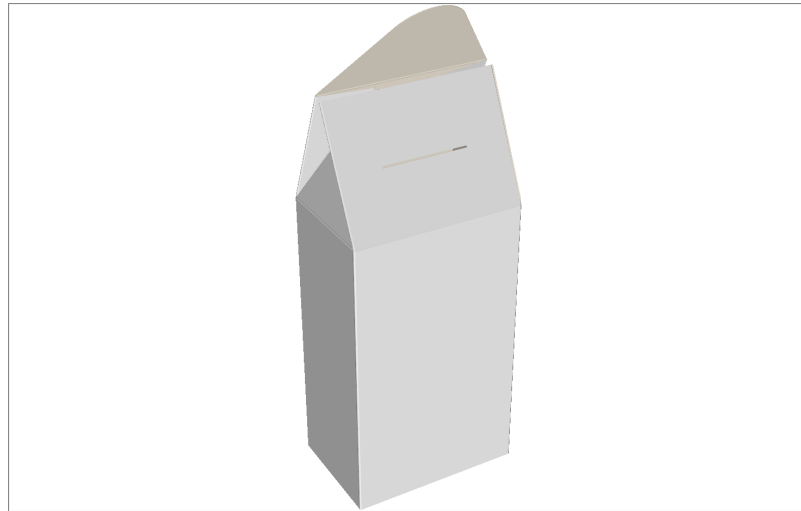
A01.70.00.00



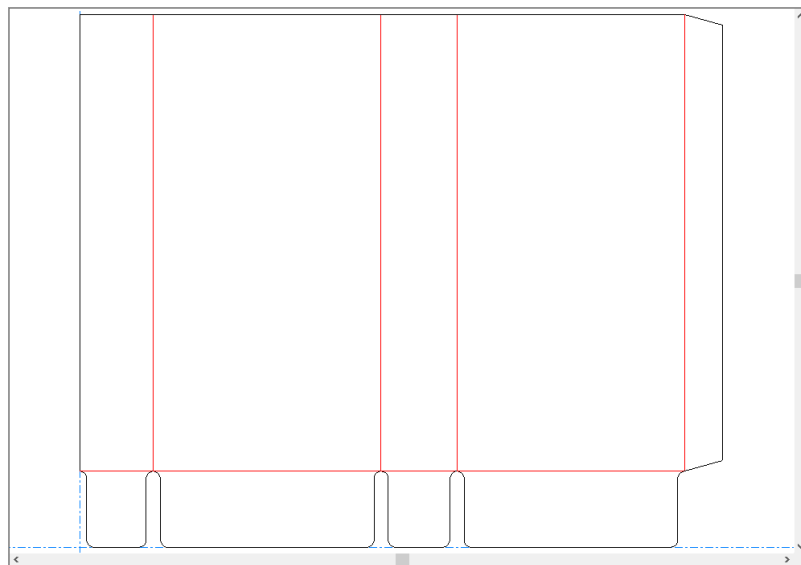


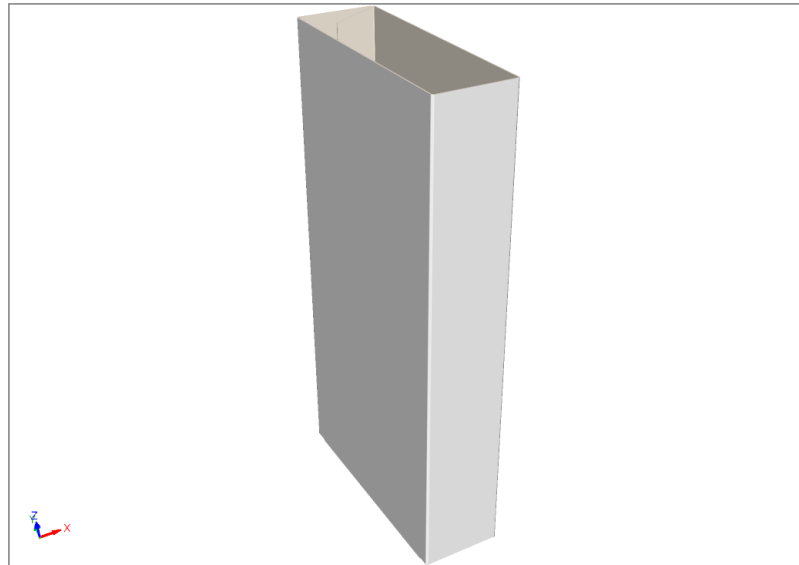
A01.75.00.03



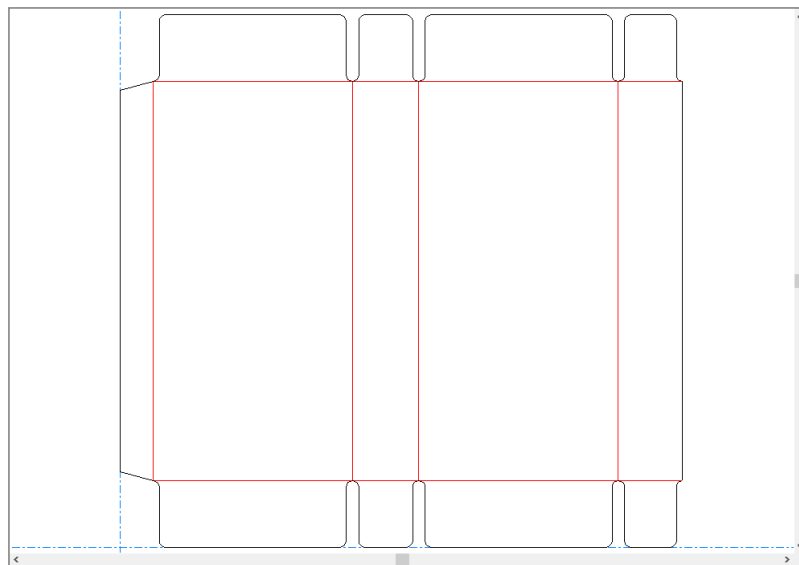


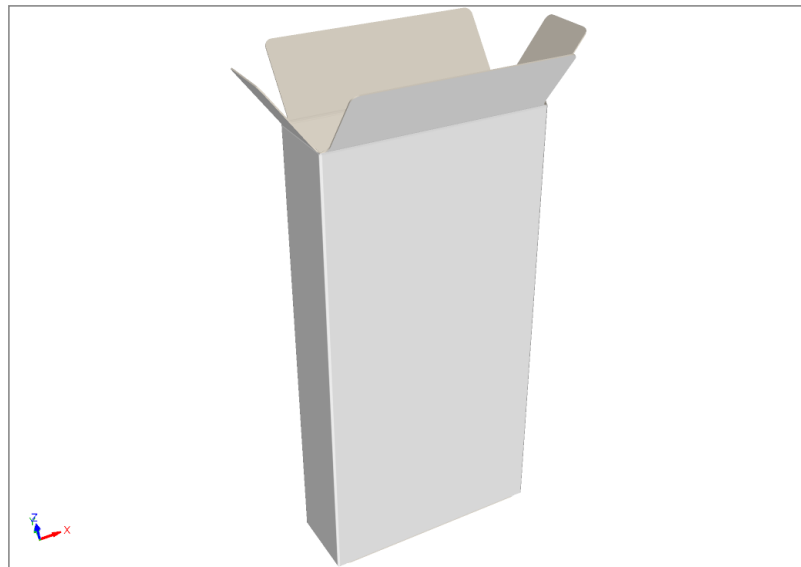
A10.01.03.00



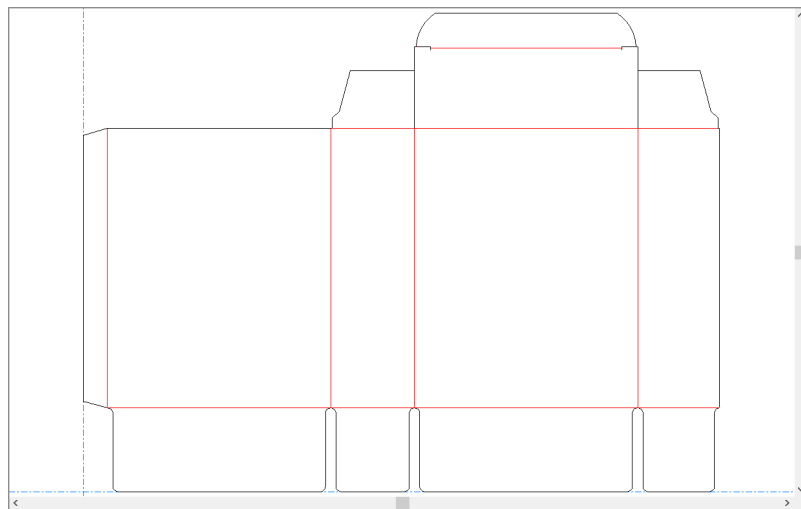


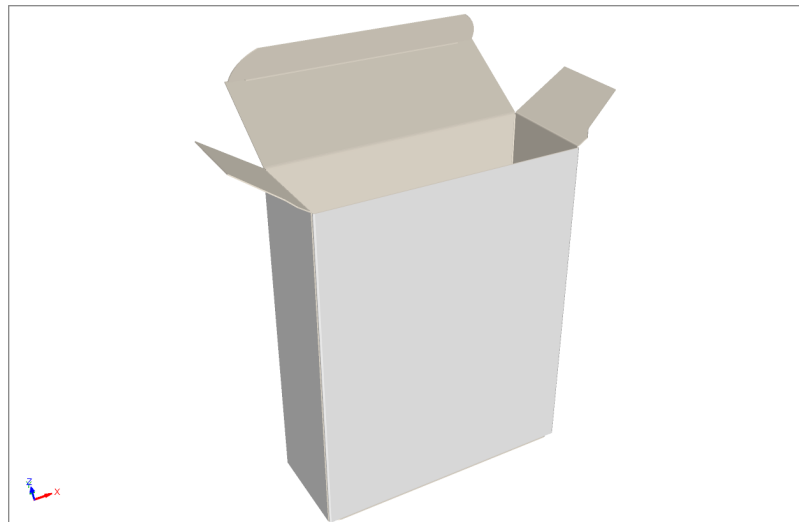
A10.10.03.03



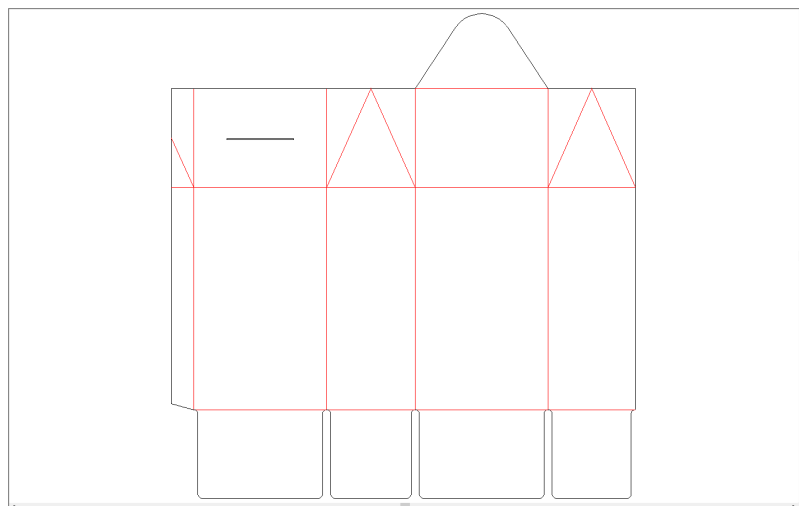


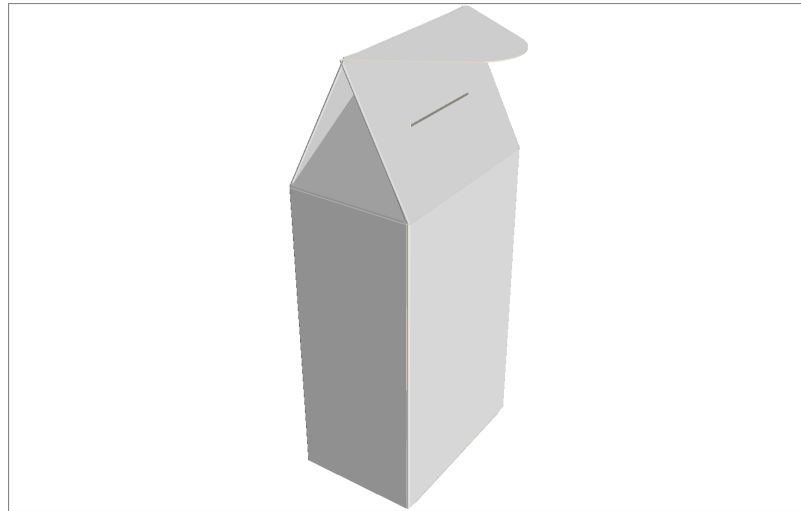
A10.20.03.03



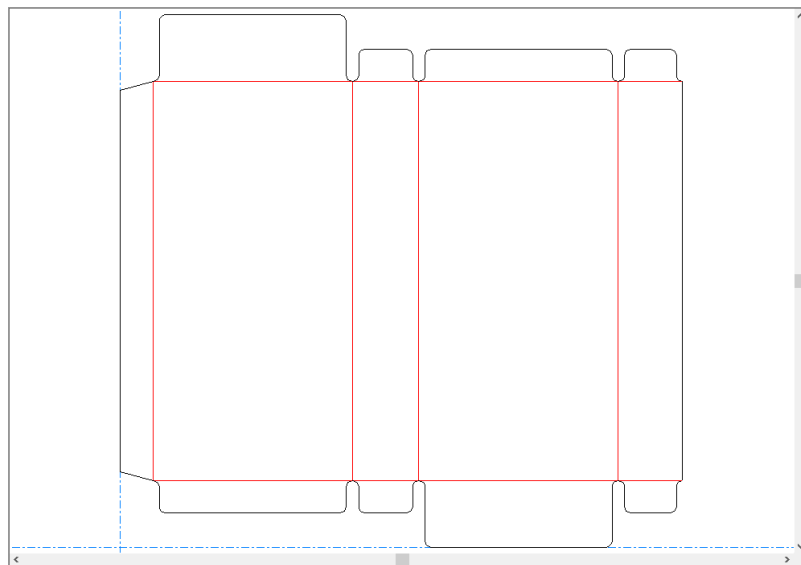


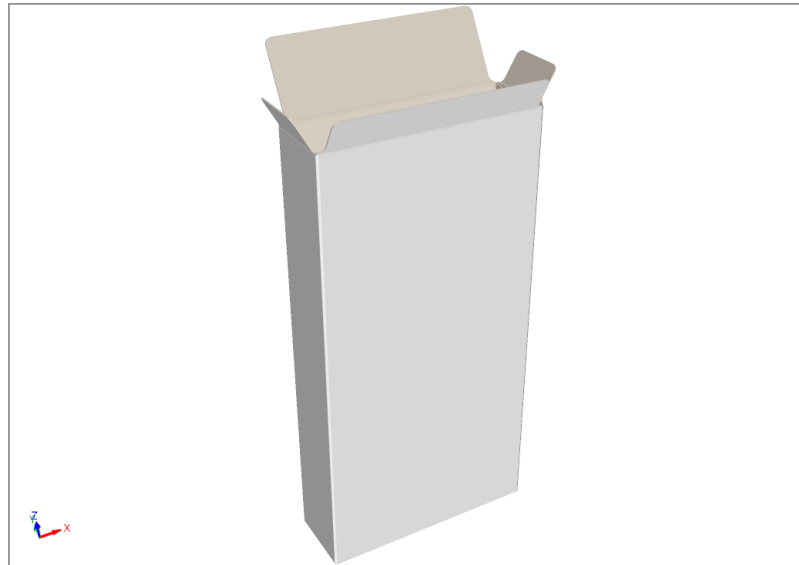
A10.75.03.03



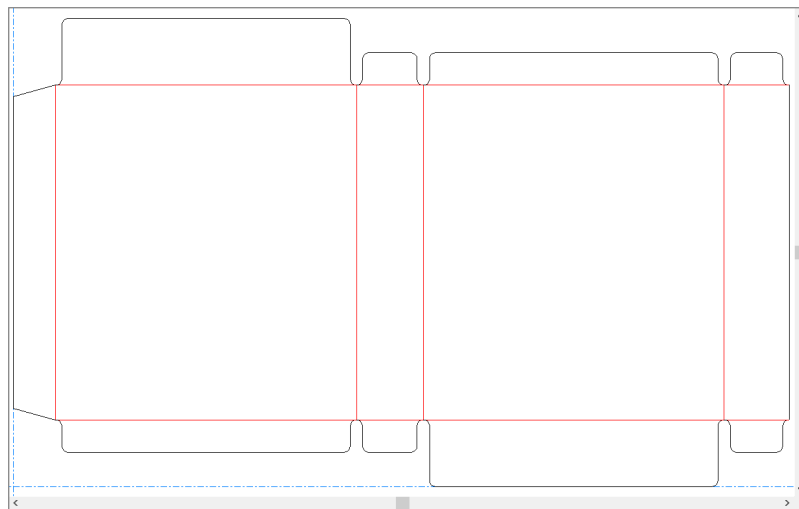


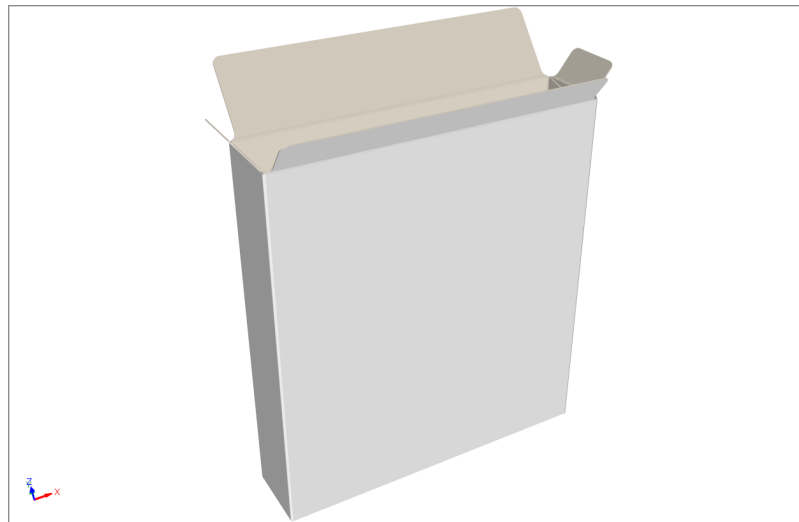
A11.11.03.01



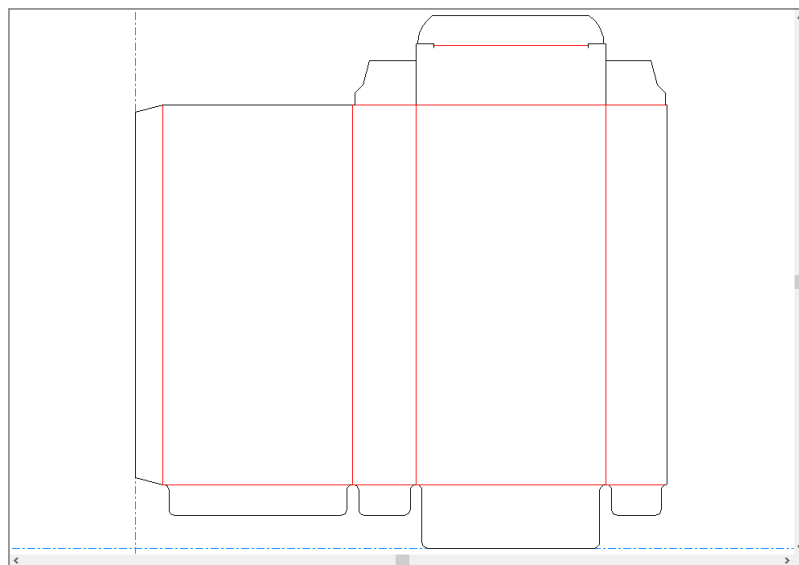


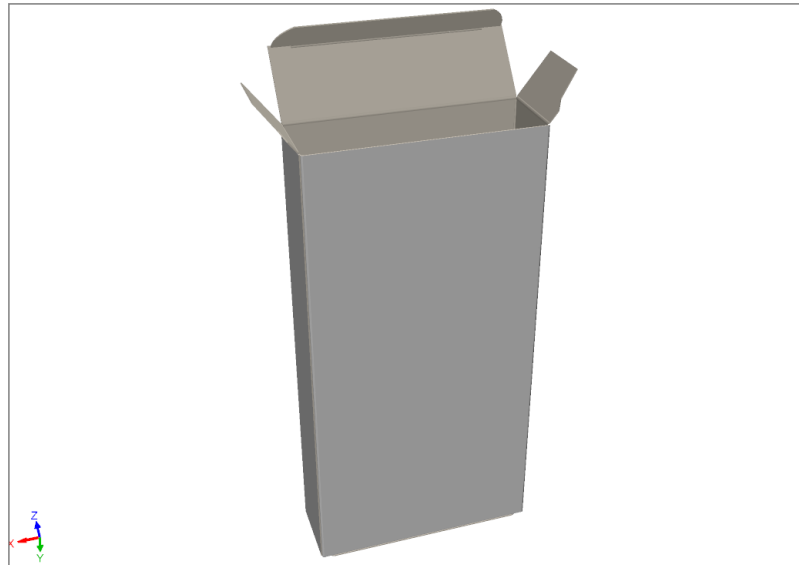
A11.11.03.03



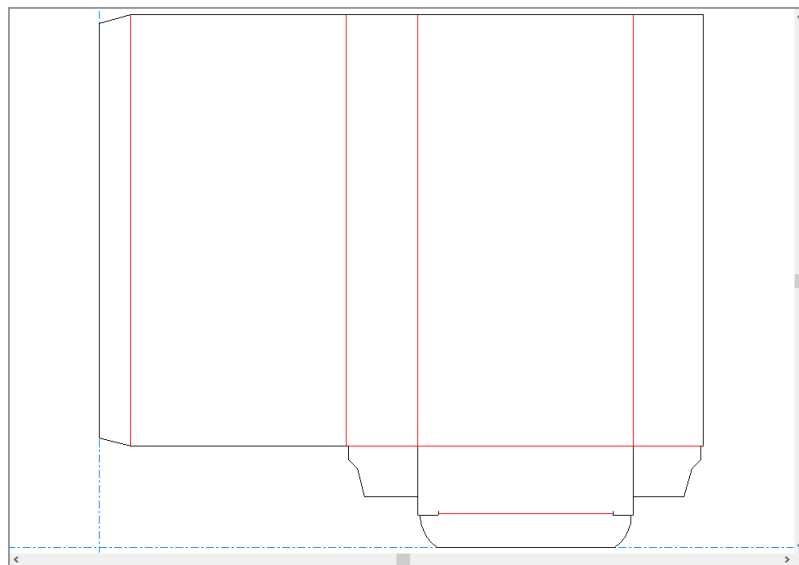


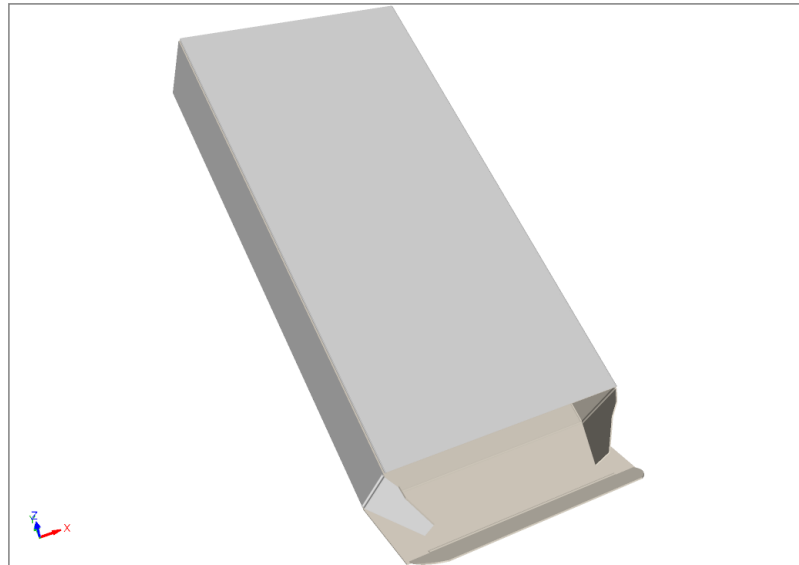
A11.20.03.03



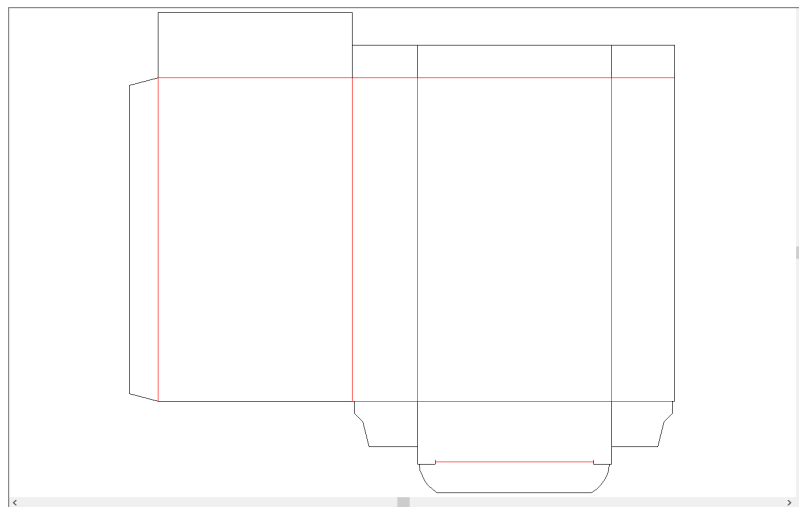


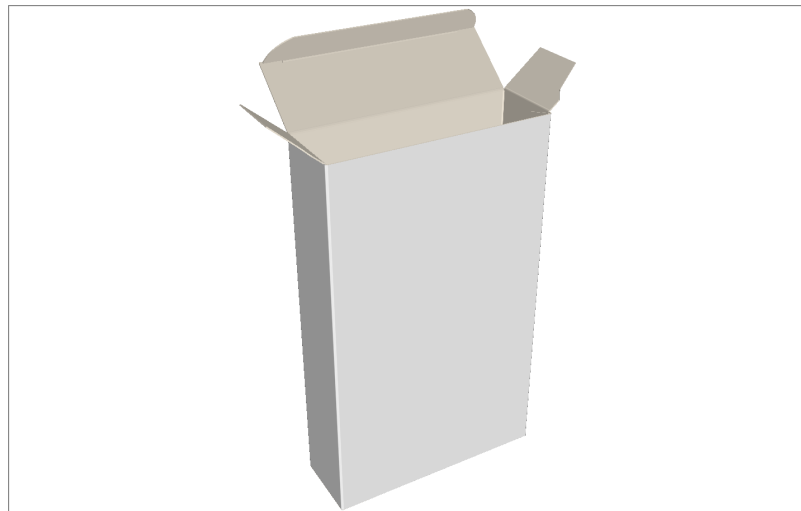
A20.01.03.00



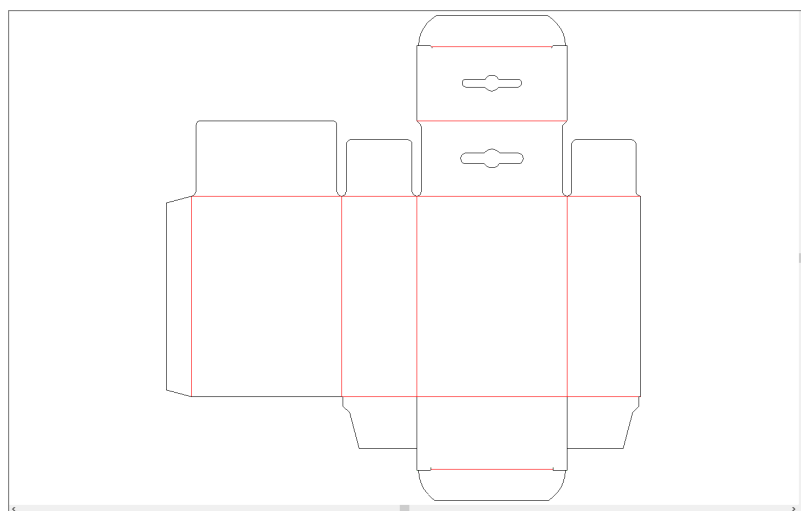


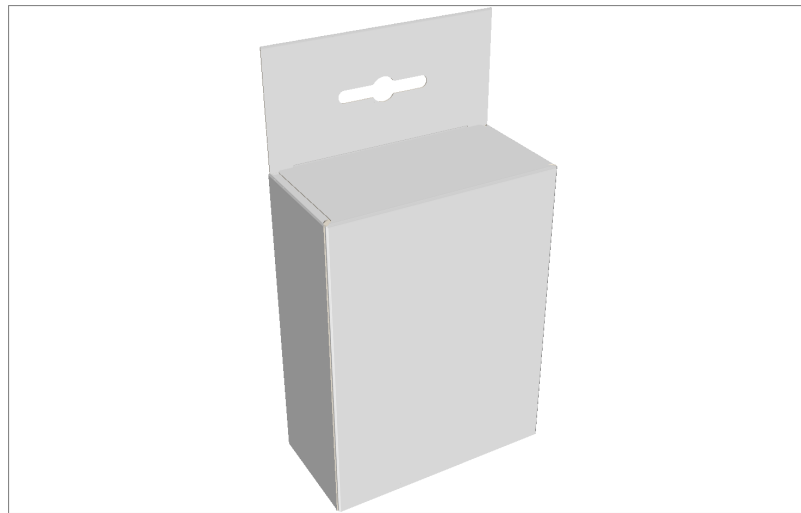
A20.11.03.01



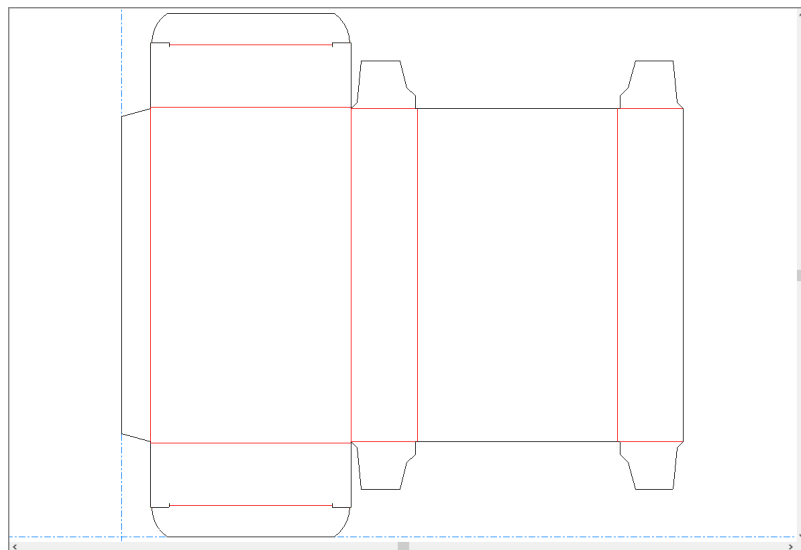


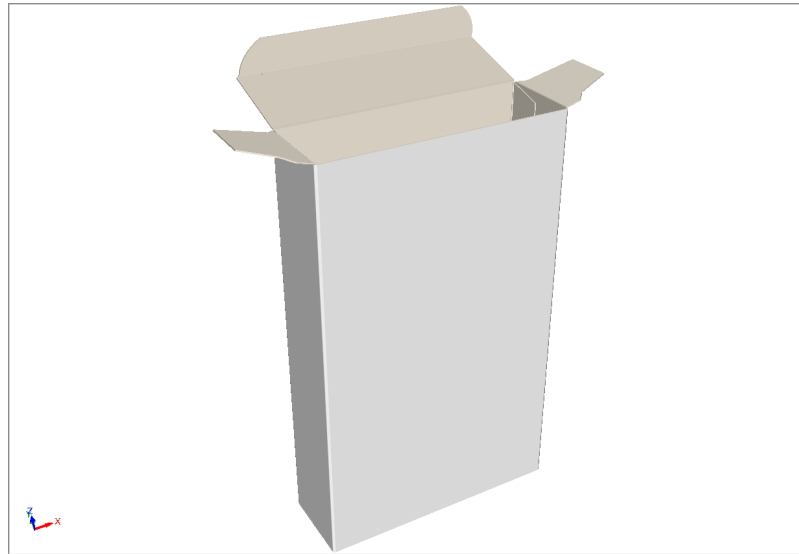
A20.15.03.03



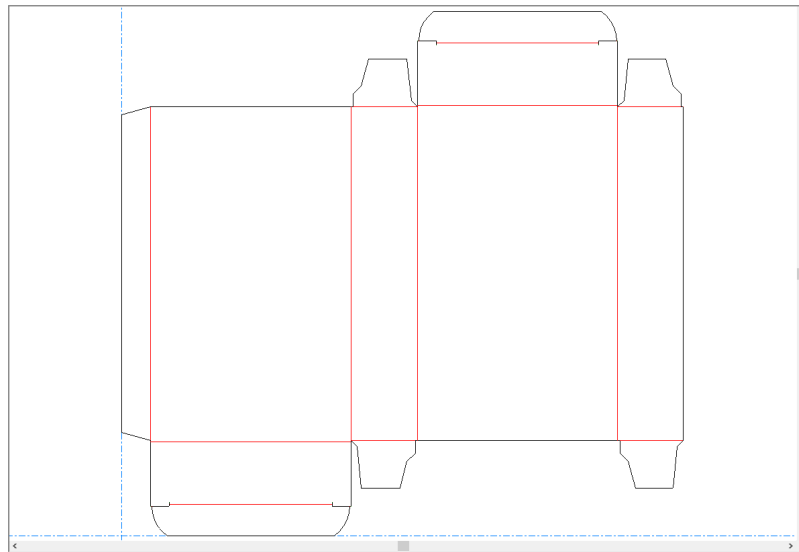


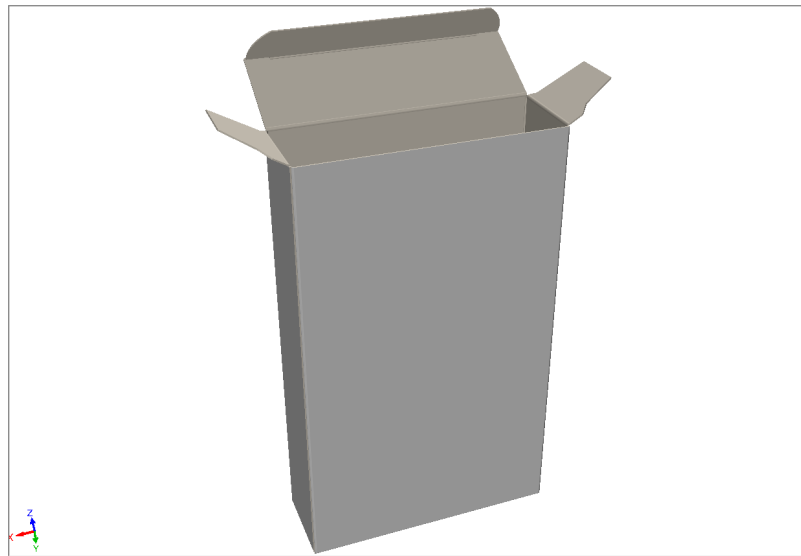
A20.20.01.01



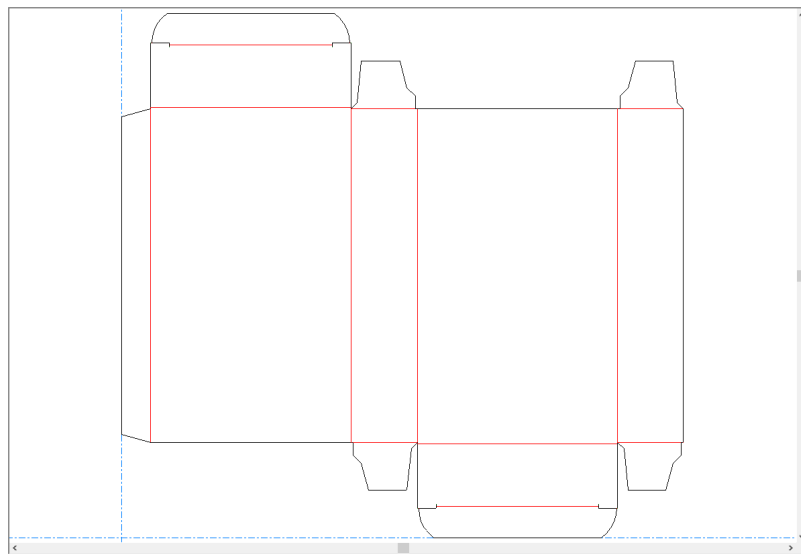


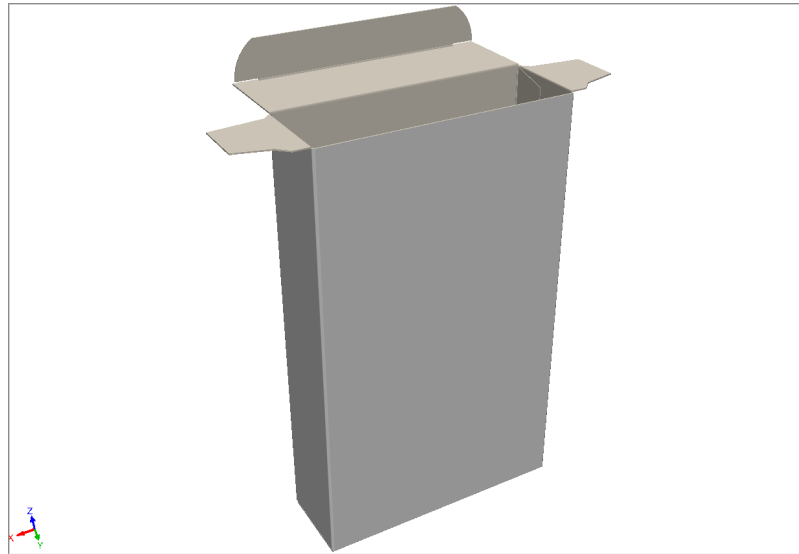
A20.20.01.03



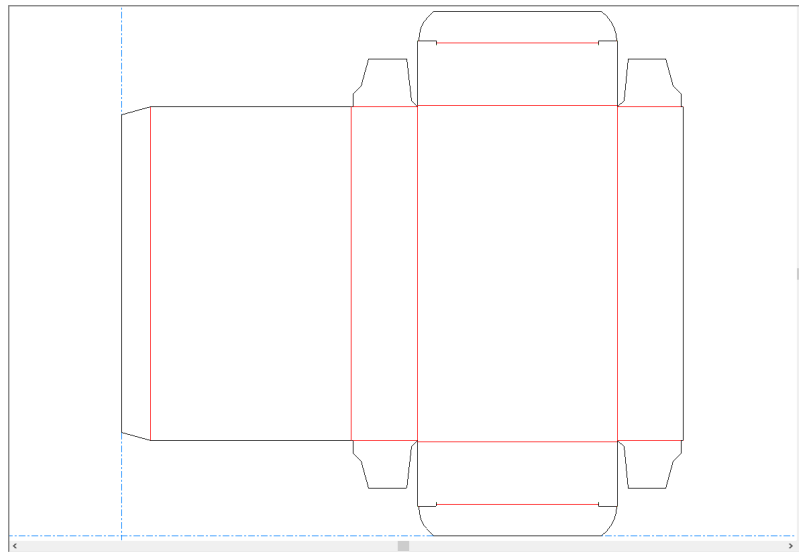


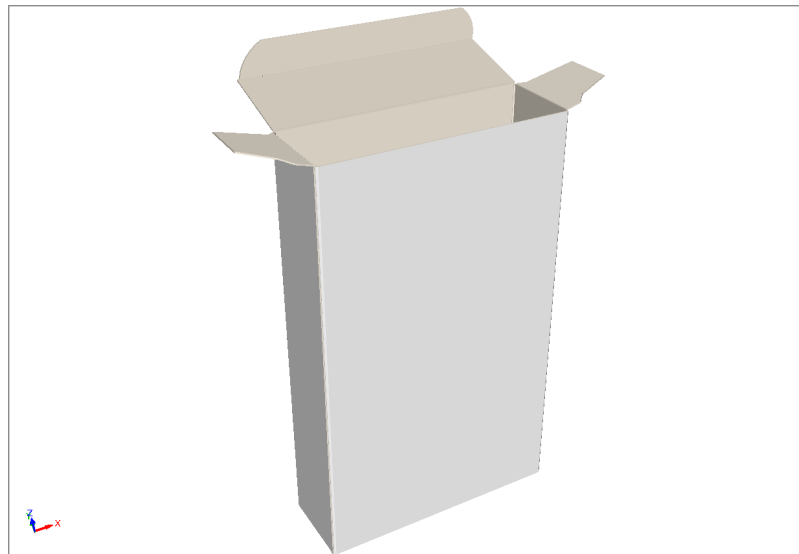
A20.20.03.01



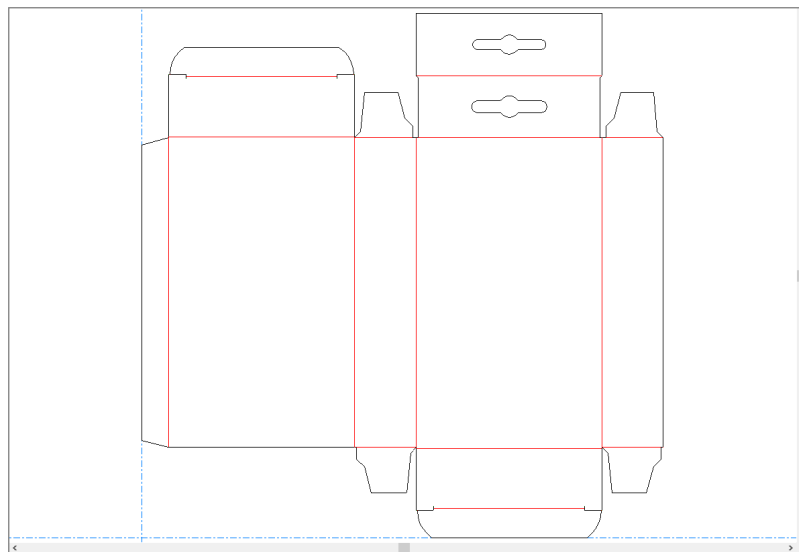


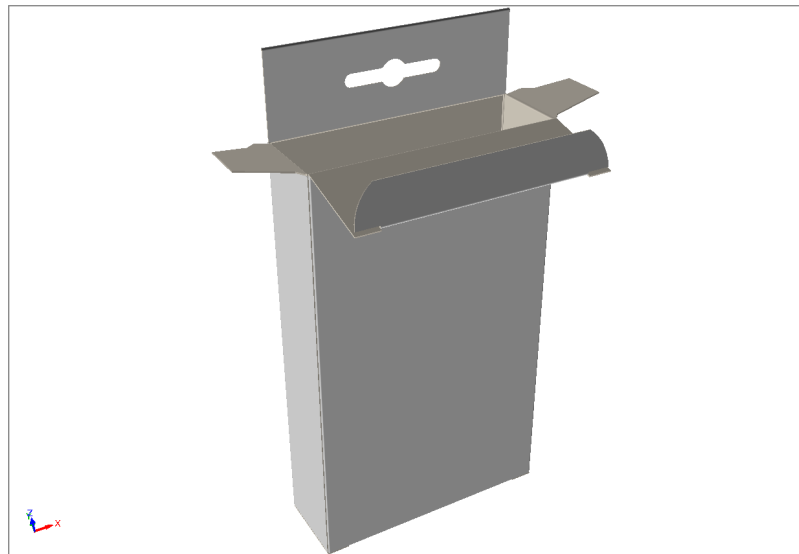
A20.20.03.03



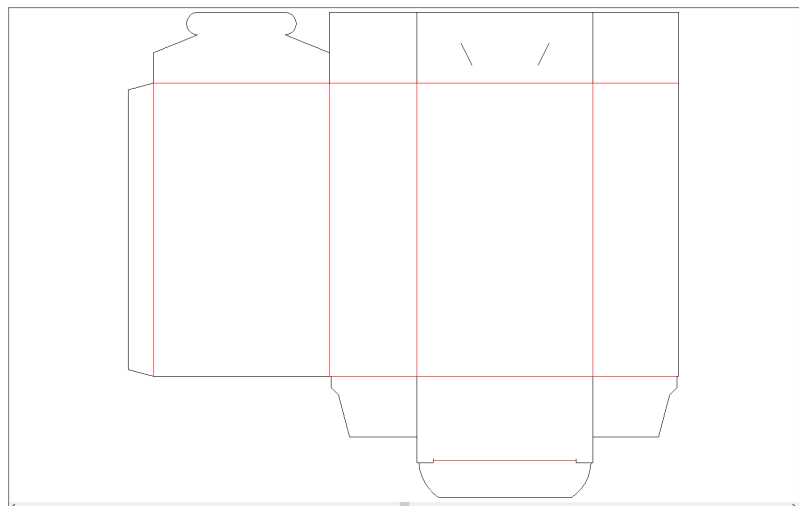


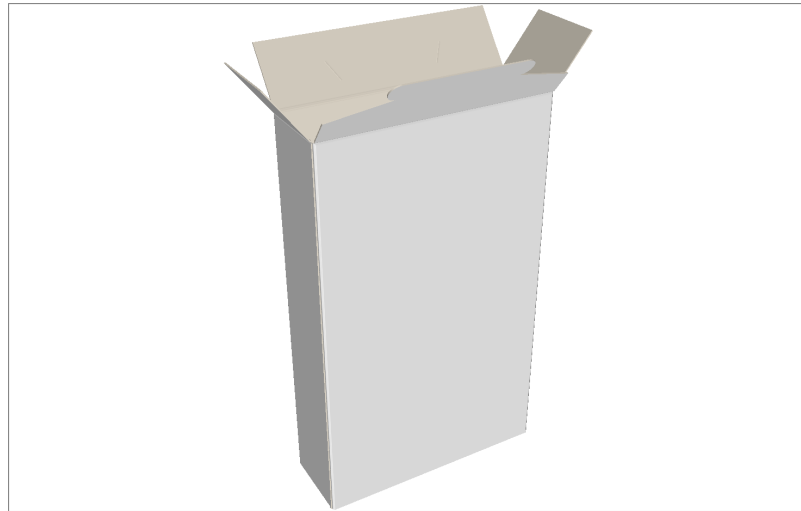
A20.21.03.03



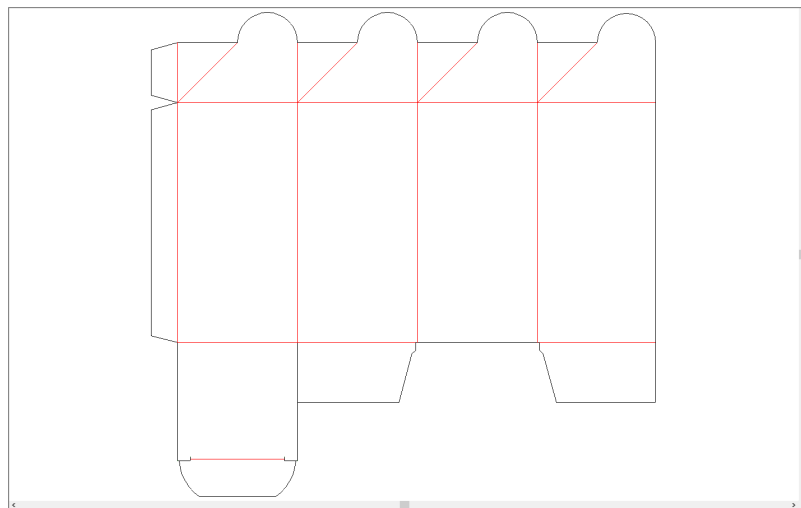


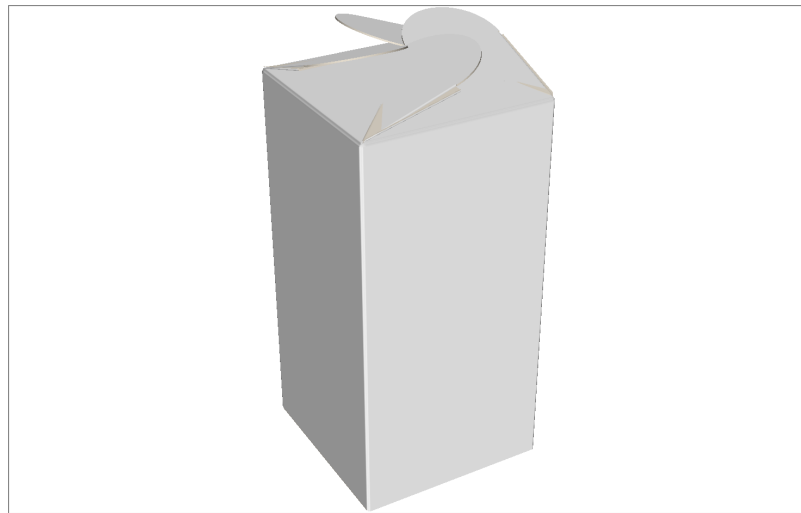
A20.50.03.01



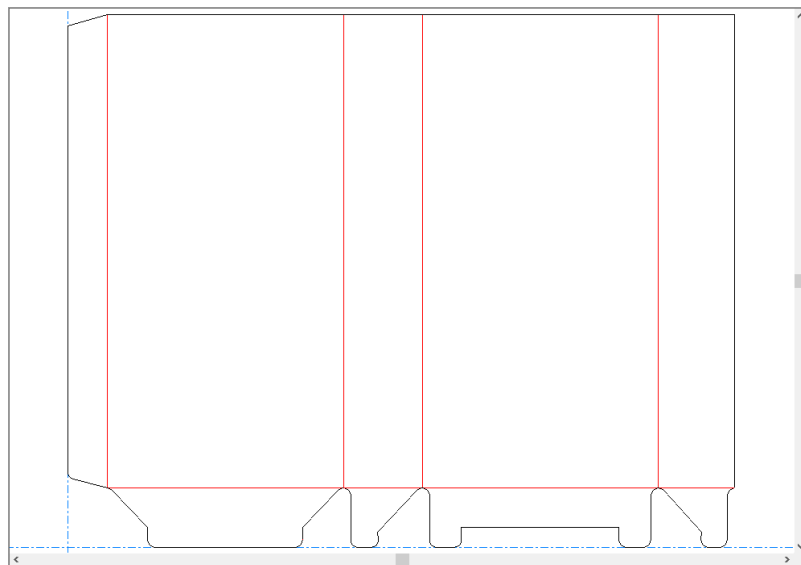


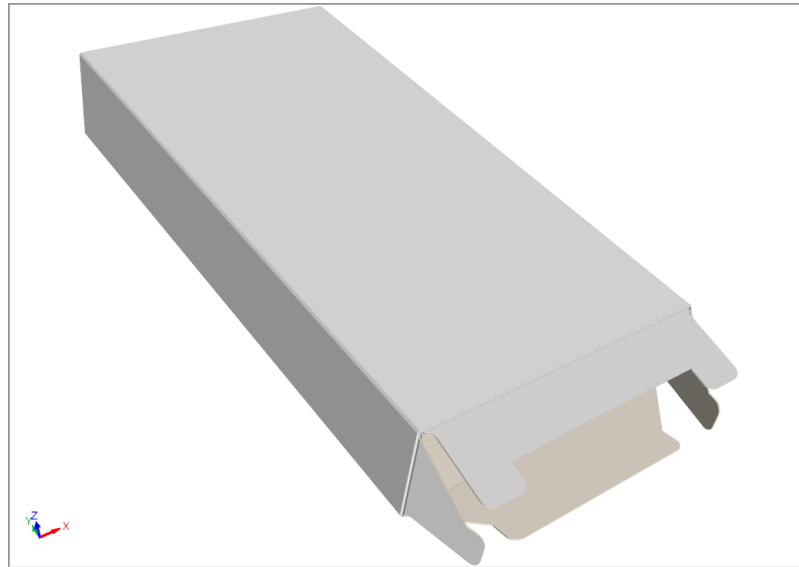
A20.82.01.00



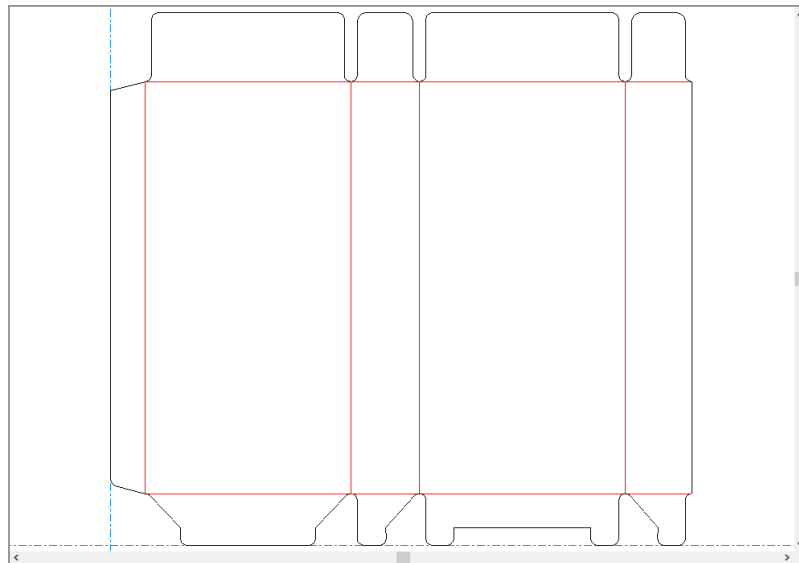


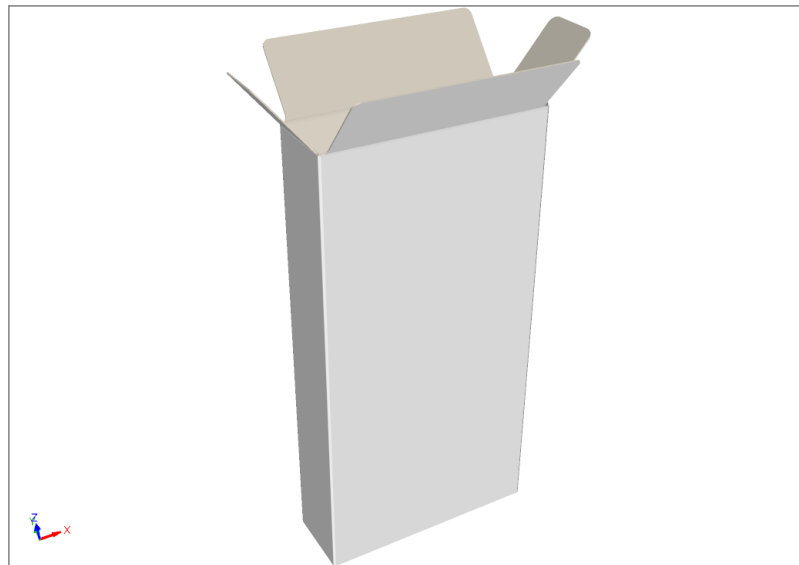
A55.01.01.00



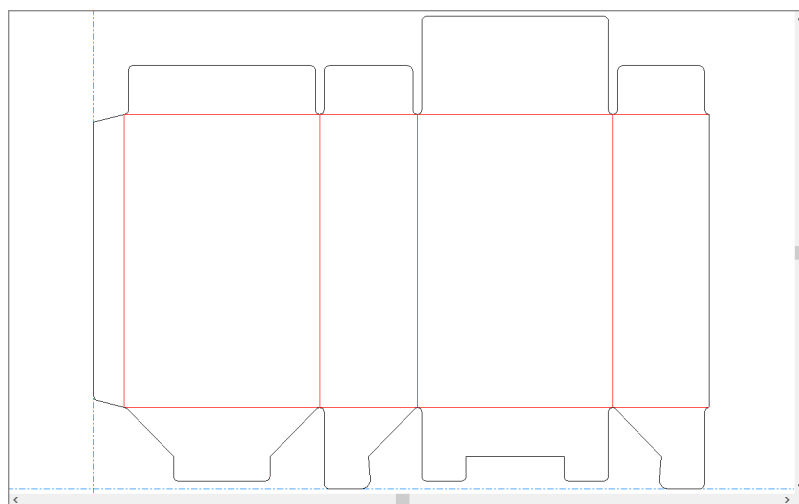


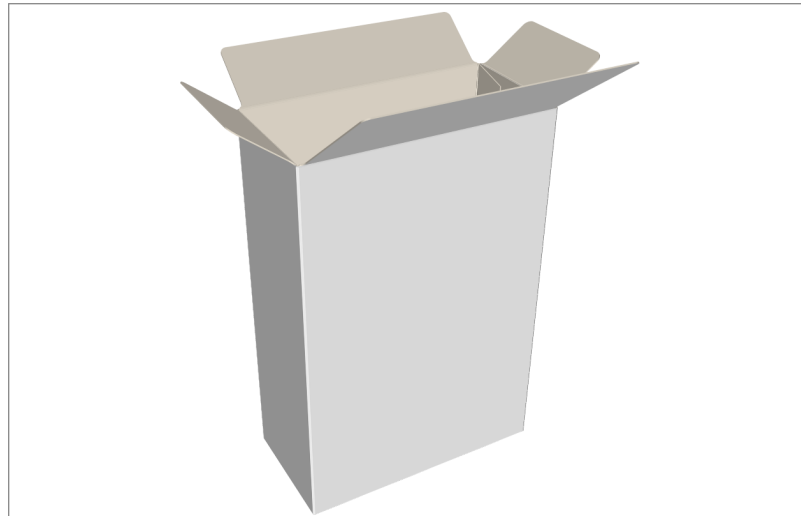
A55.10.01.03



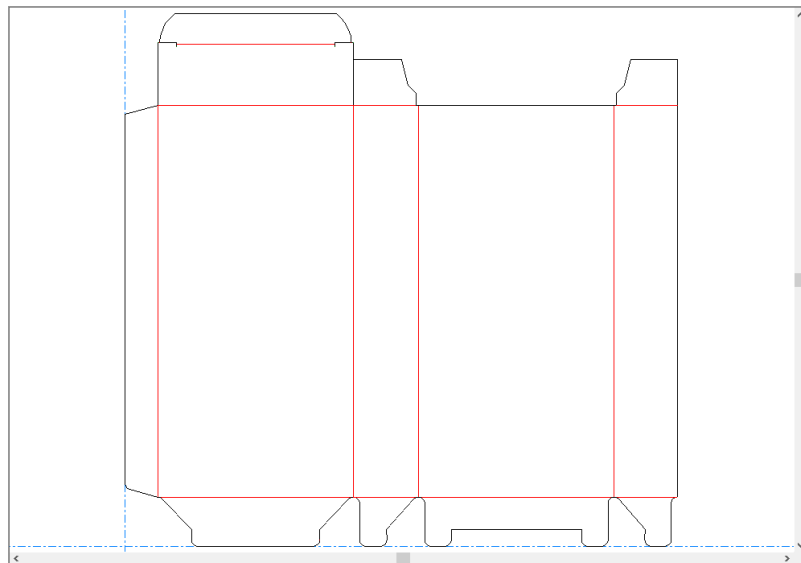


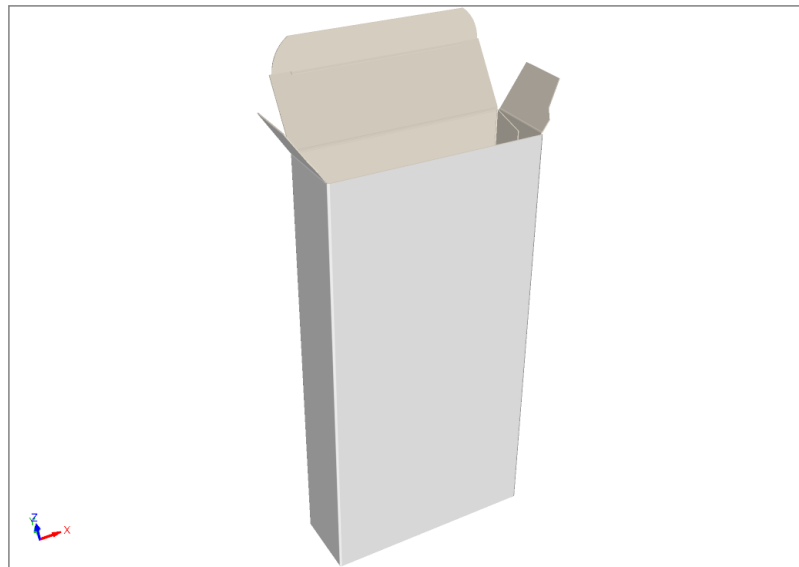
A55.11.01.03



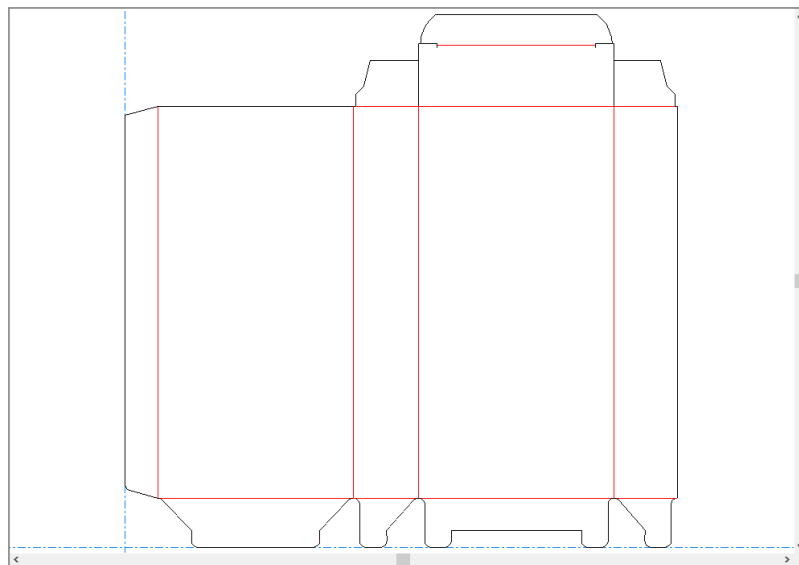


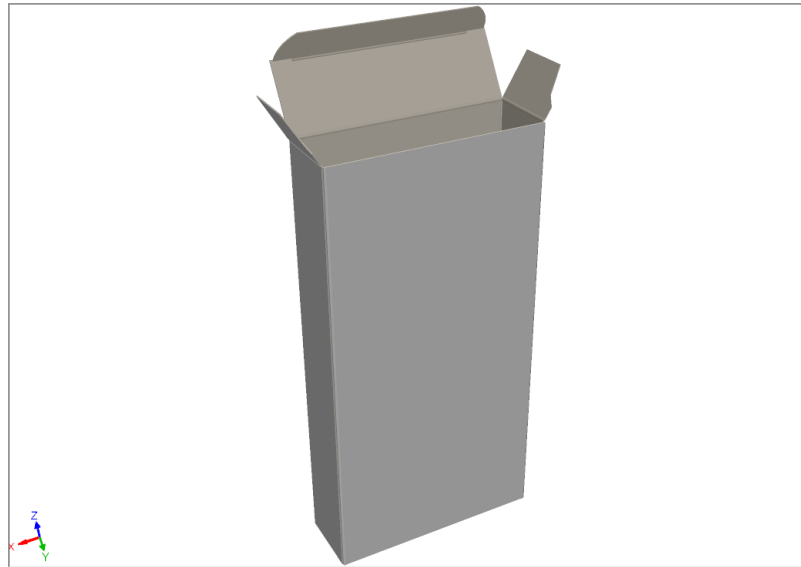
A55.20.01.01



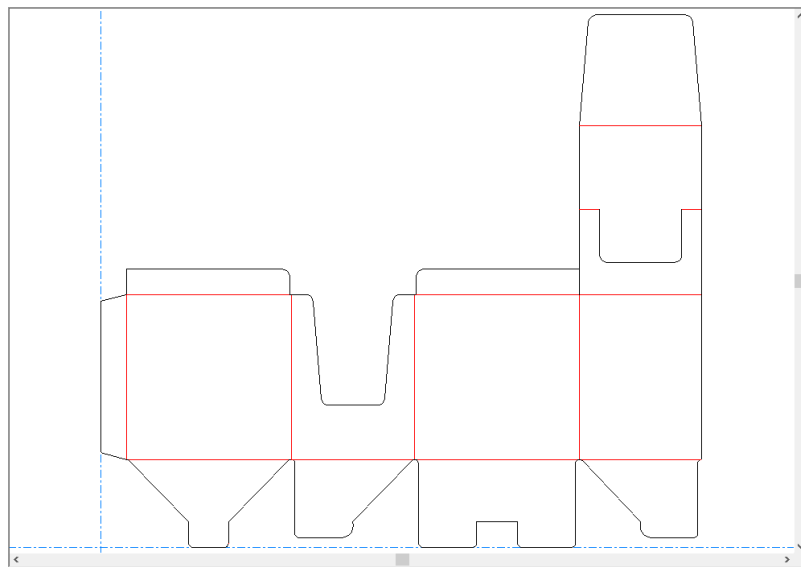


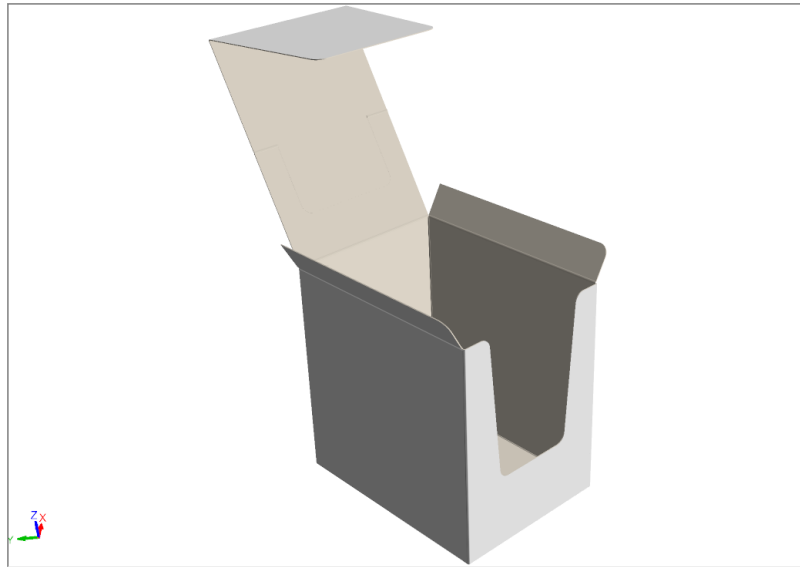
A55.20.01.03



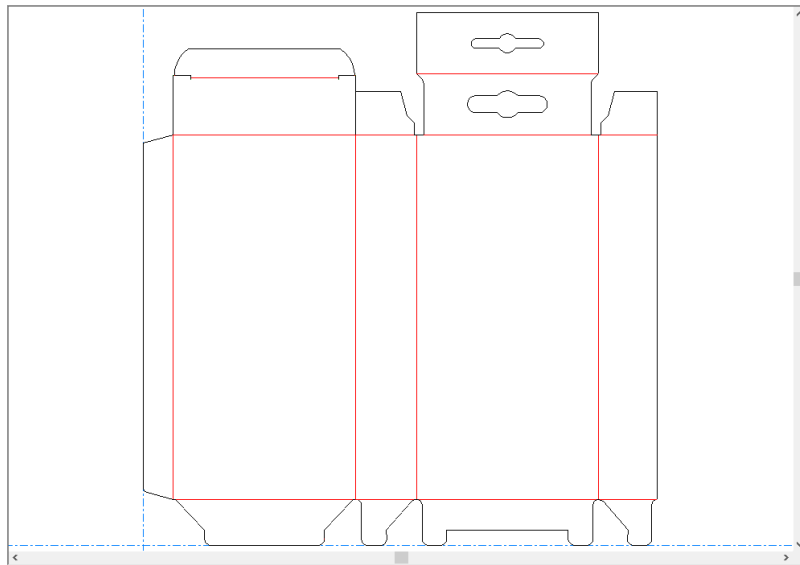


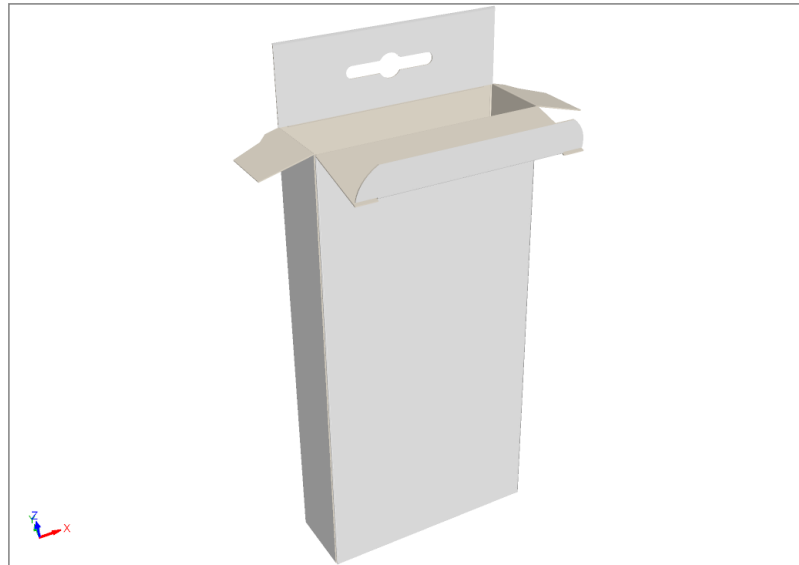
A55.20.01.04.35



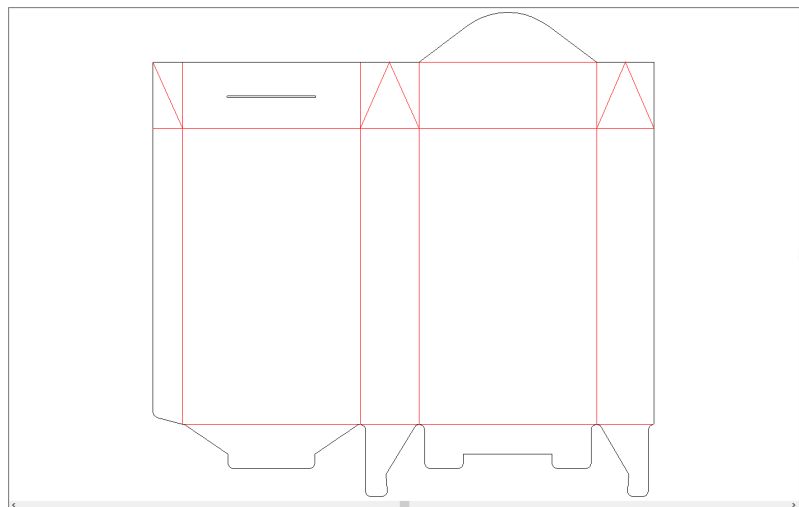


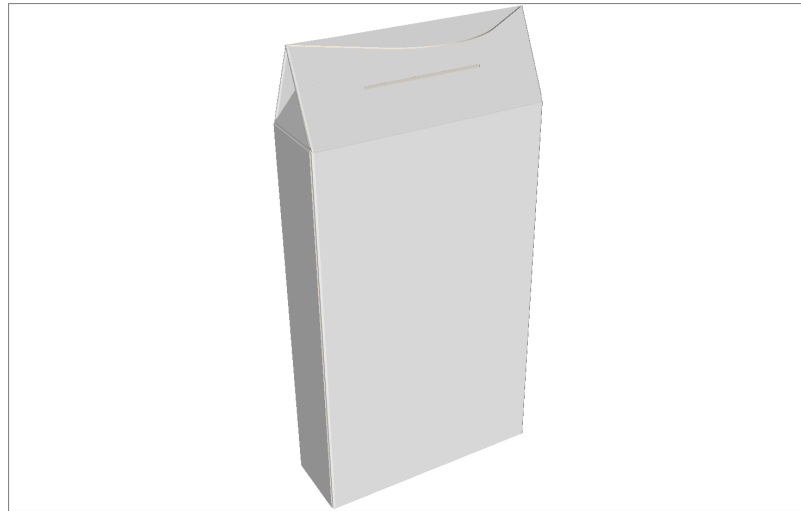
A55.21.01.03



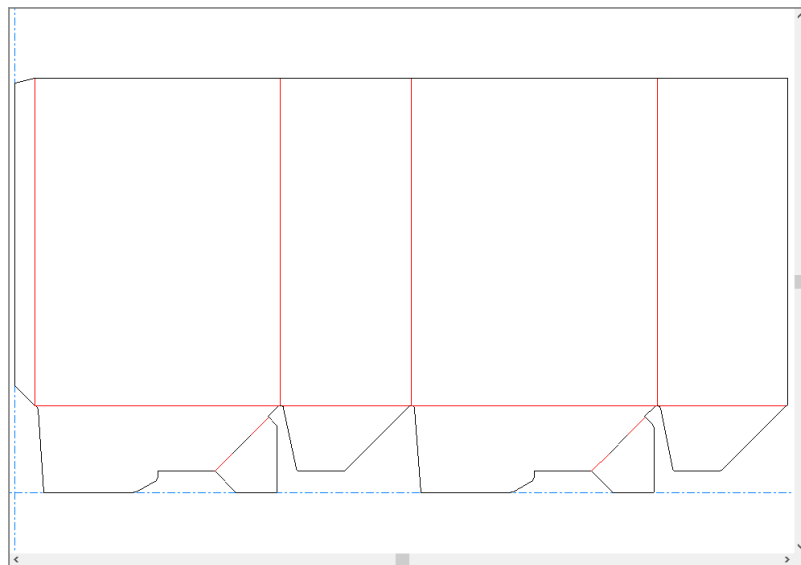


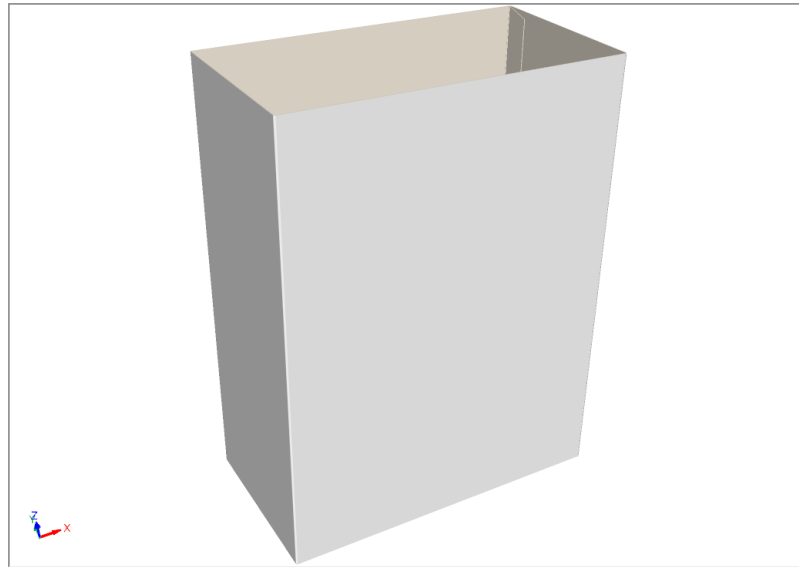
A55.75.01.03



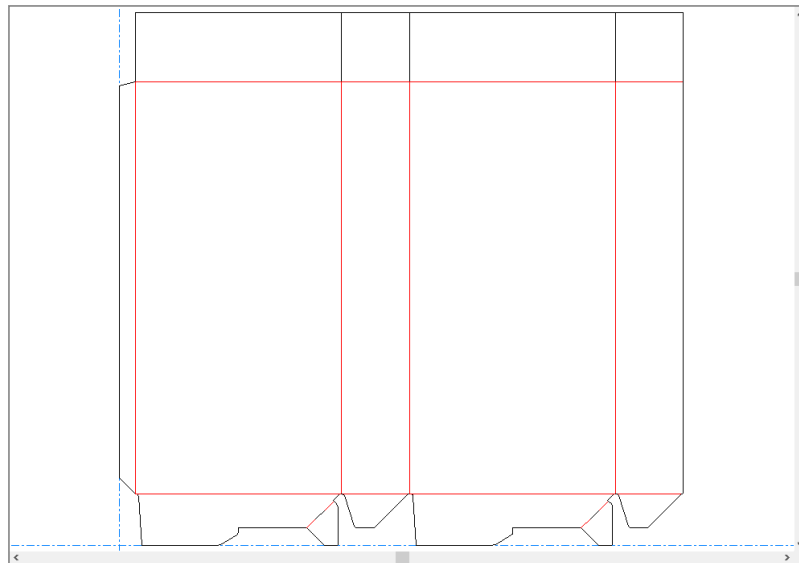


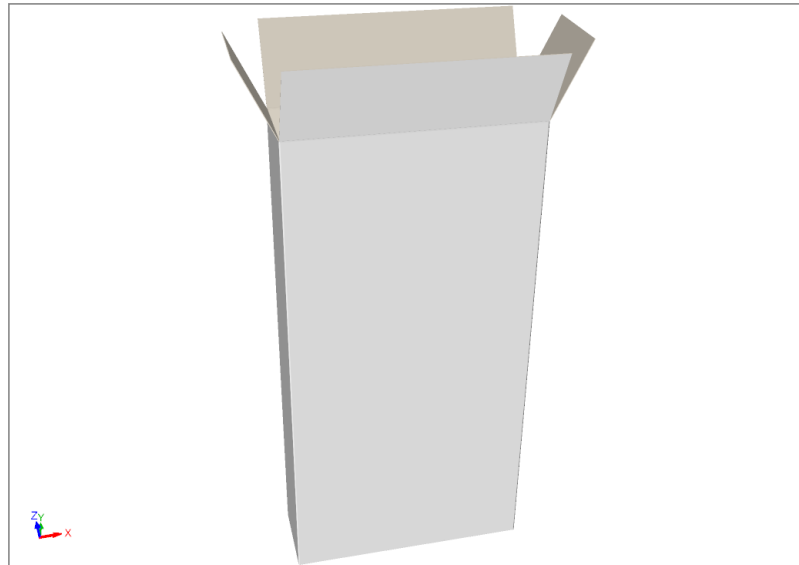
A60.01.00.00



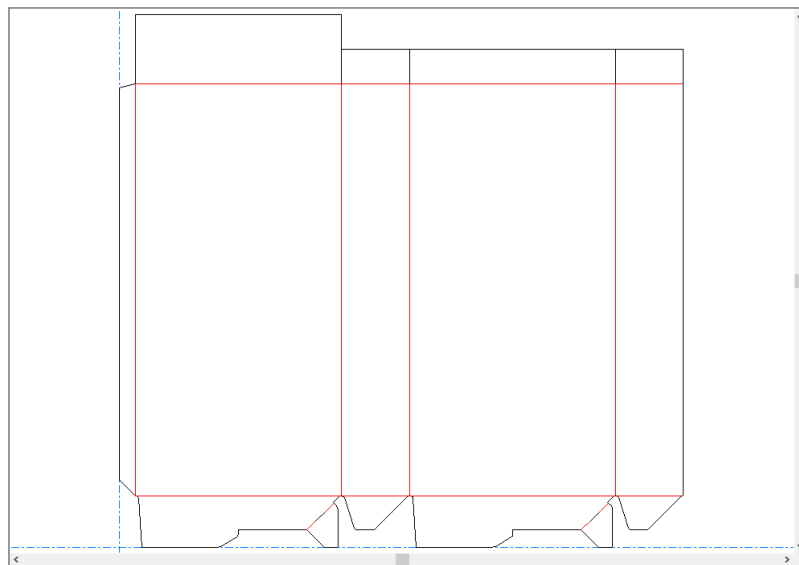


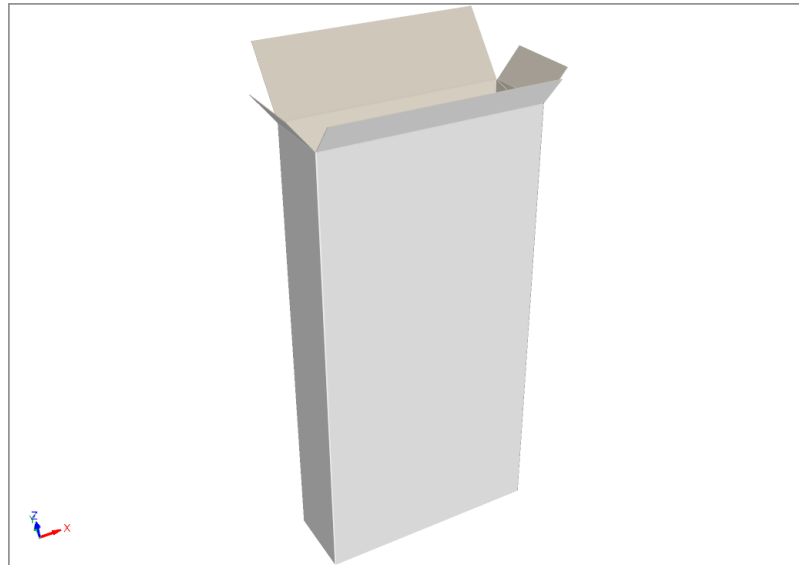
A60.10.00.03



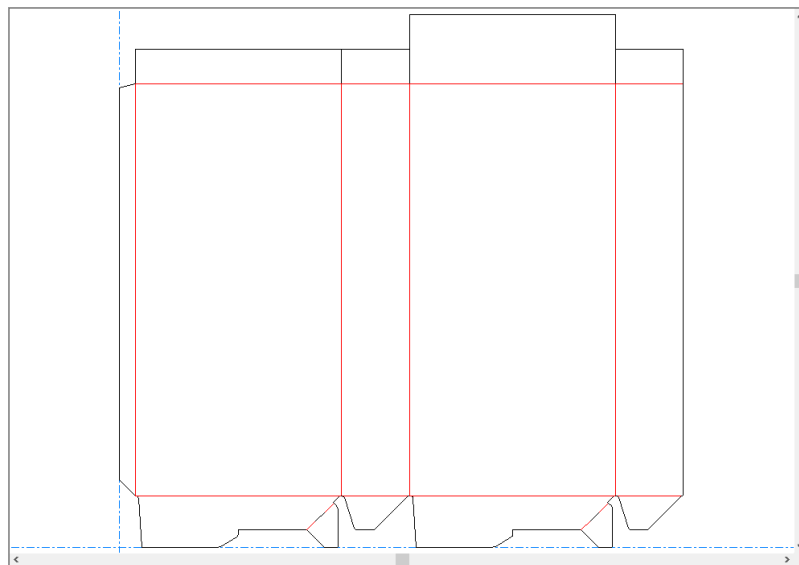


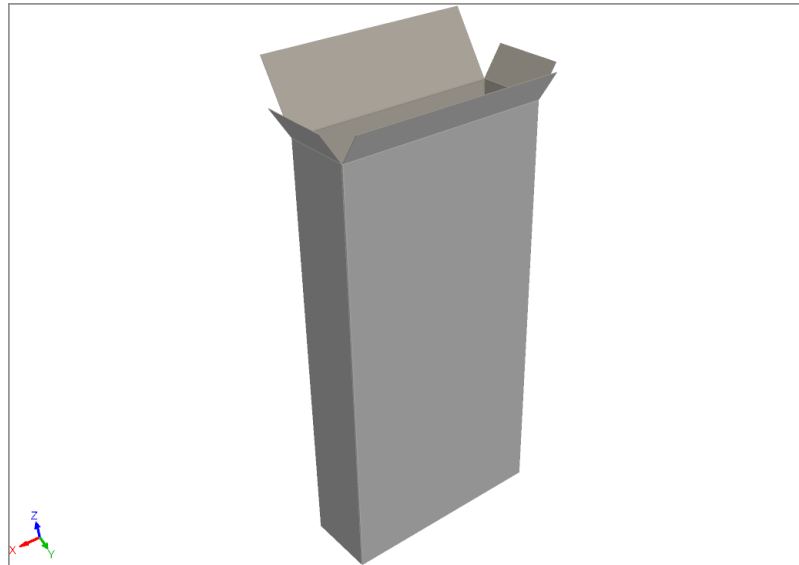
A60.11.00.01



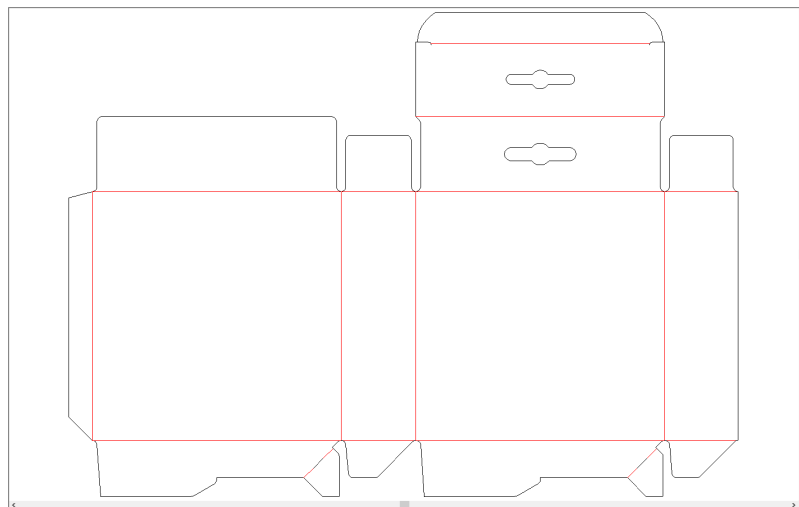


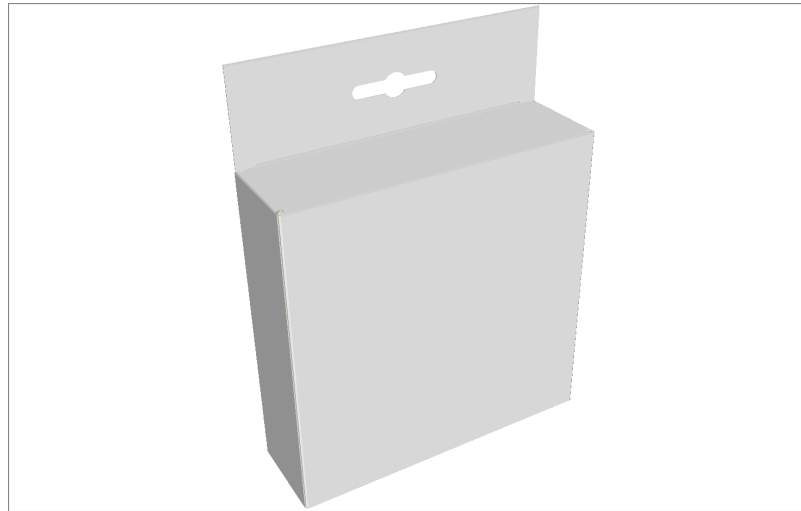
A60.11.00.03



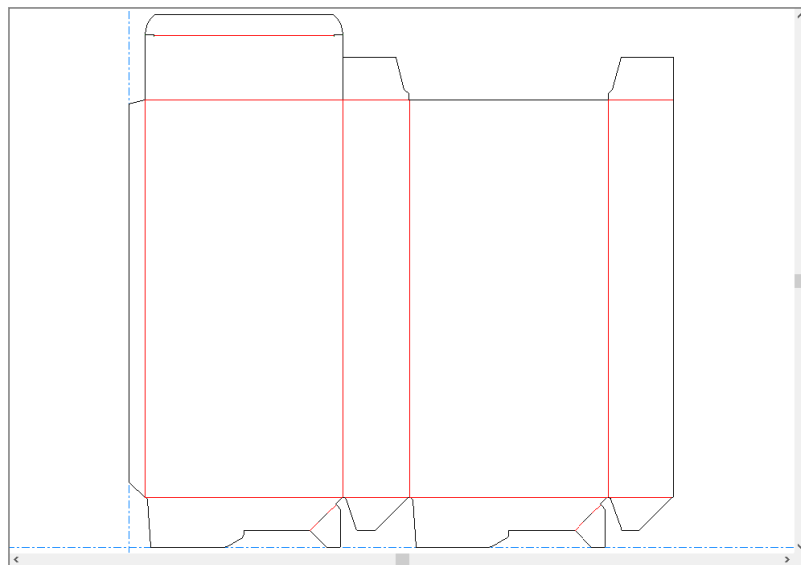


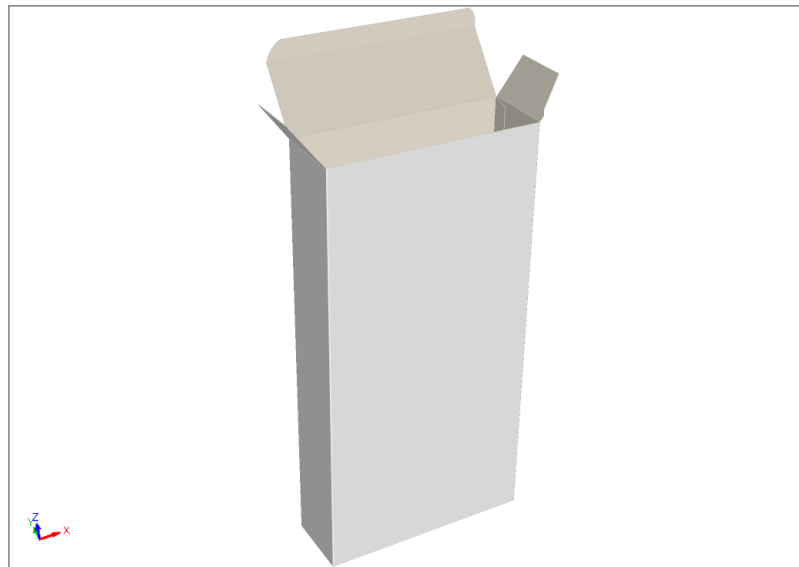
A60.15.00.03



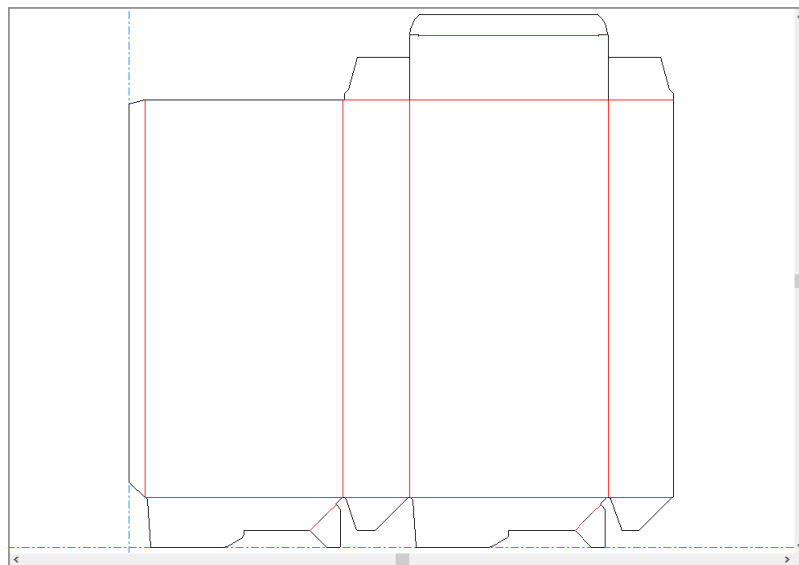


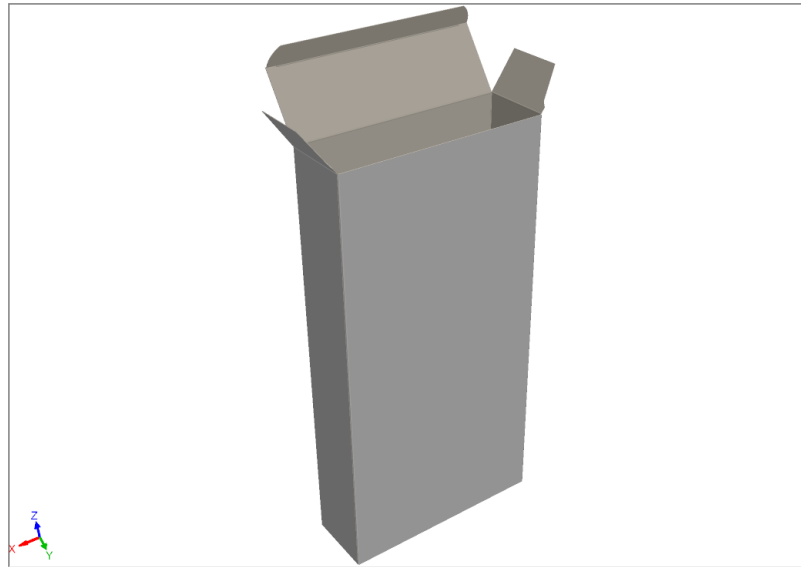
A60.20.00.01



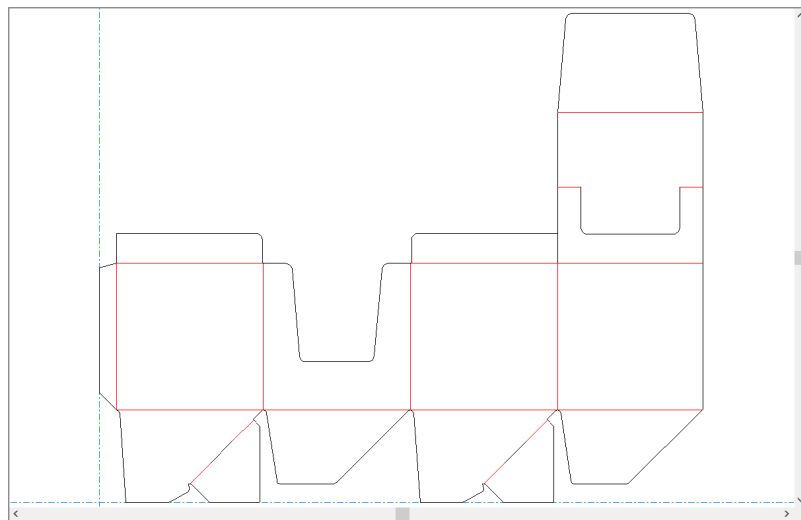


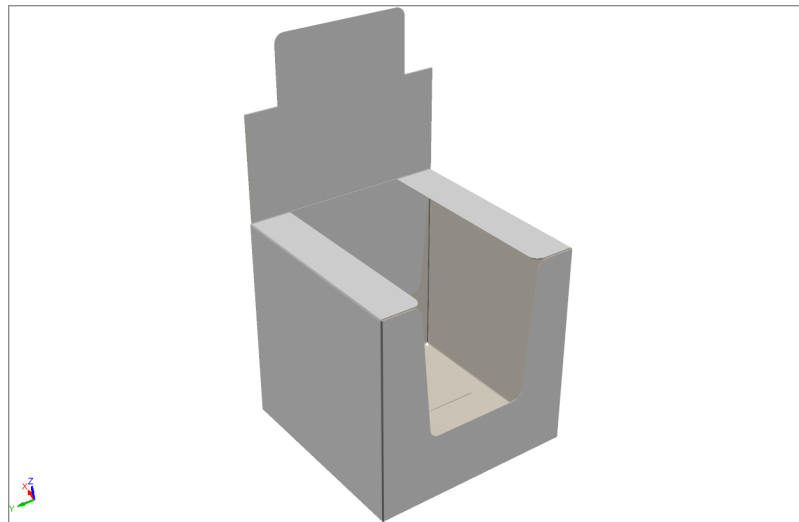
A60.20.00.03



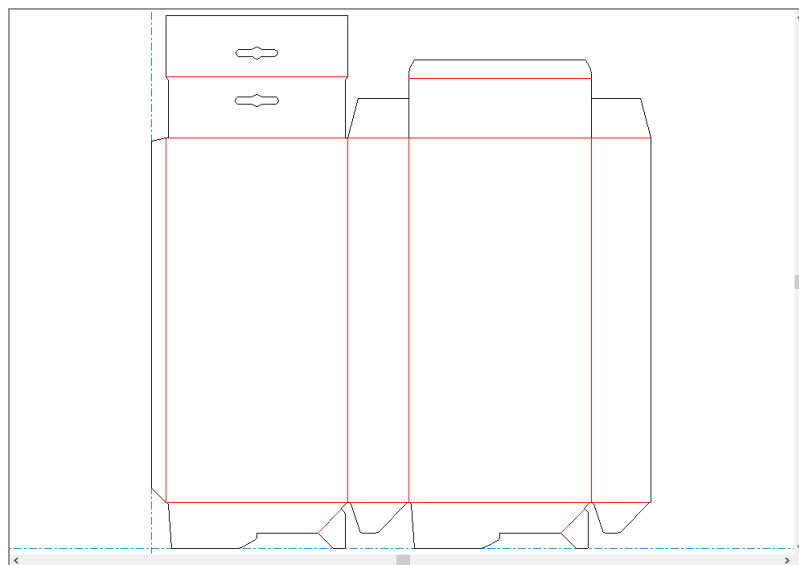


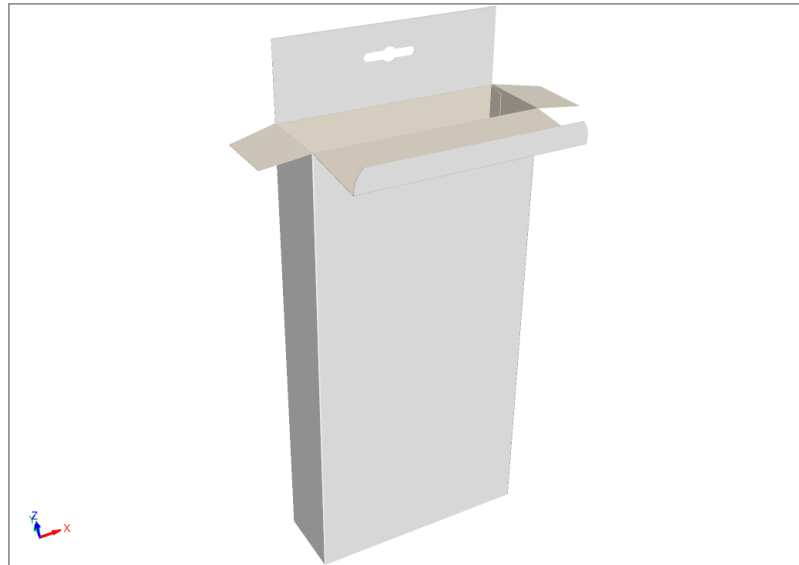
A60.20.00.04.35



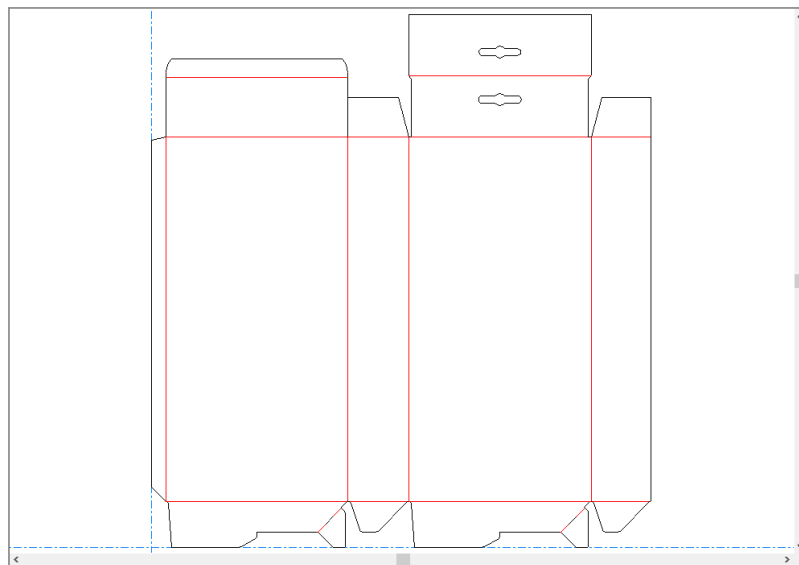


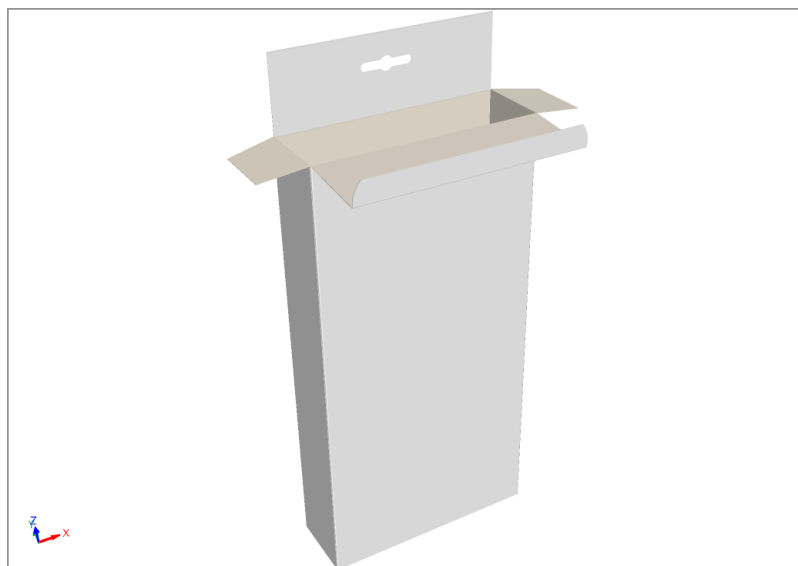
A60.21.00.01



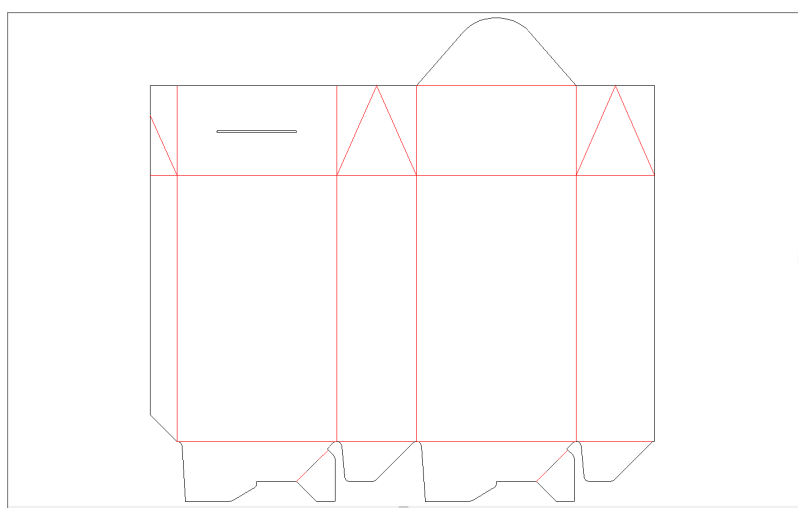


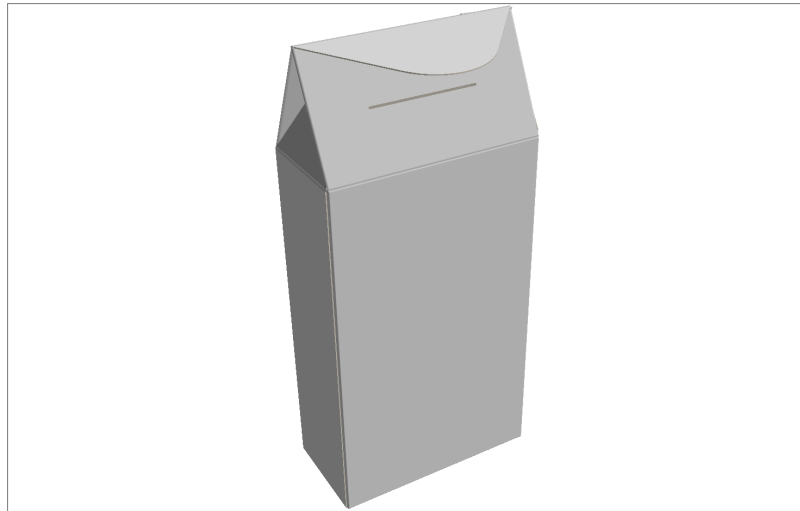
A60.21.00.03



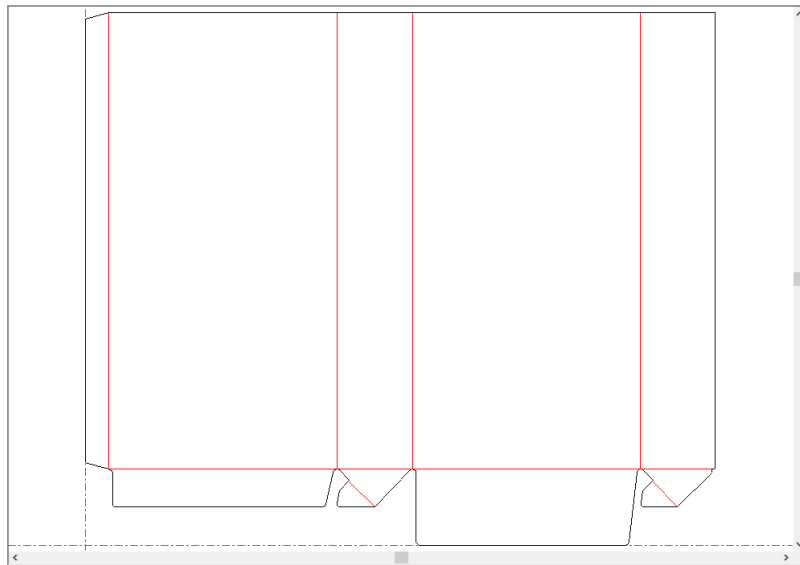


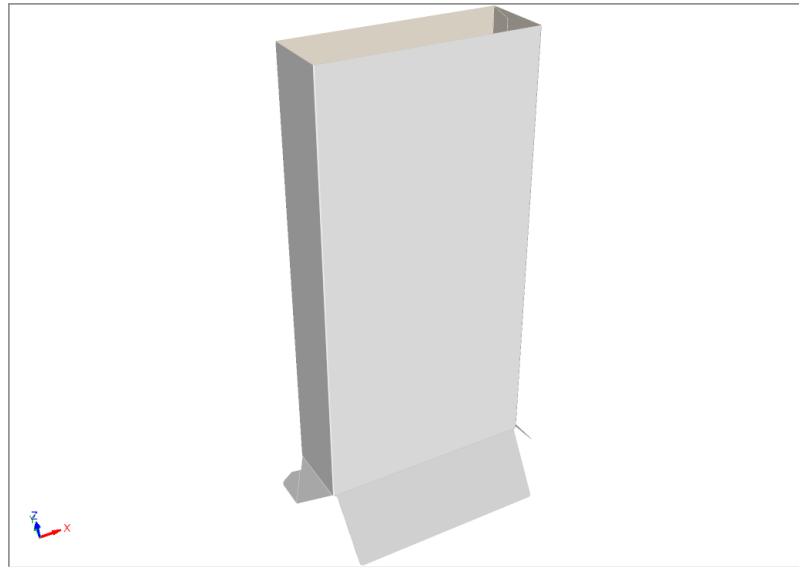
A60.75.00.03



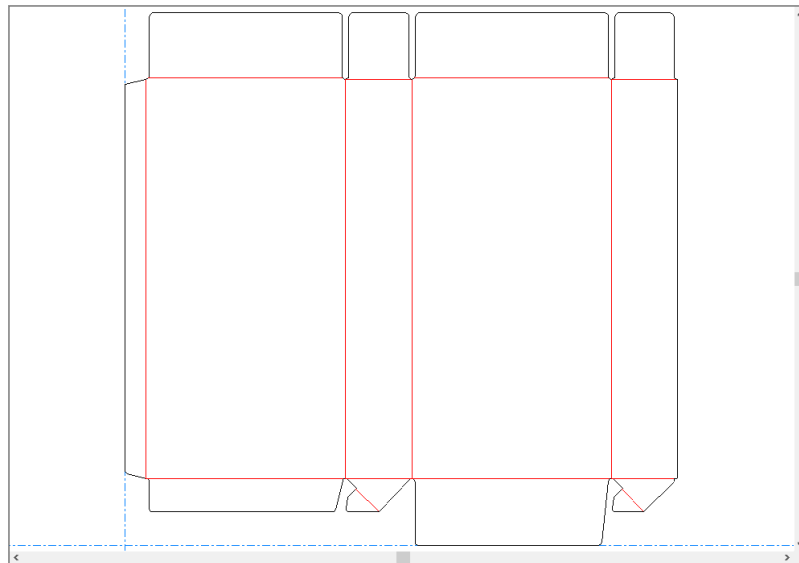


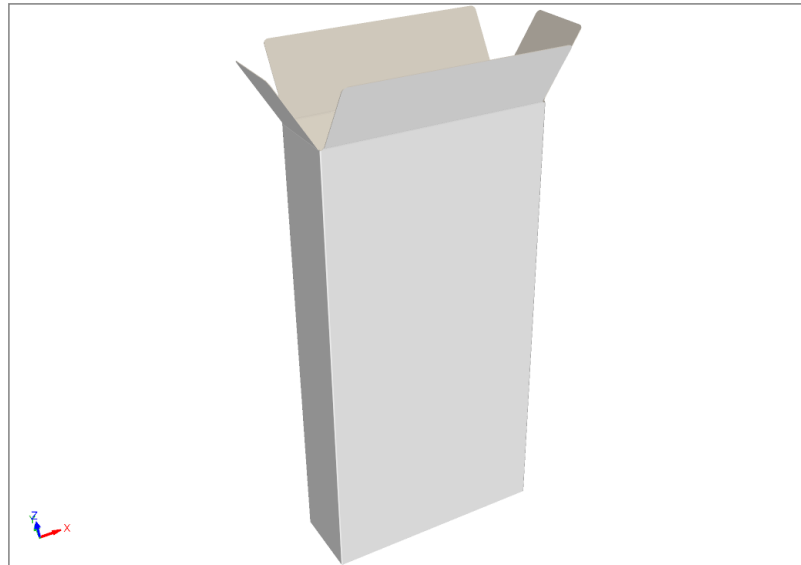
A61.01.01.00



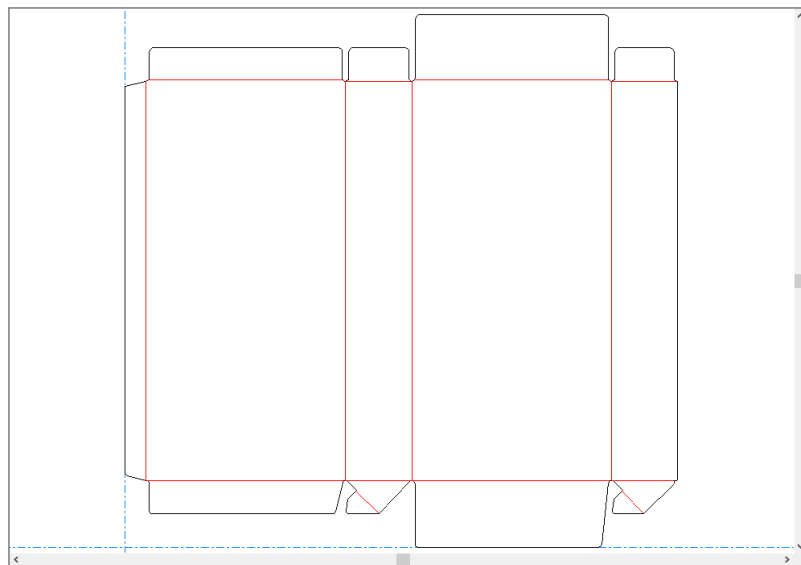


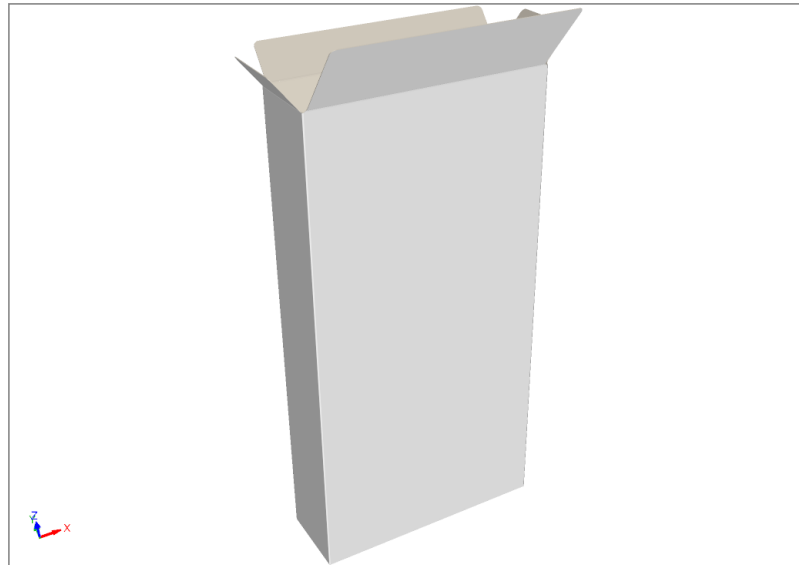
A61.10.01.03



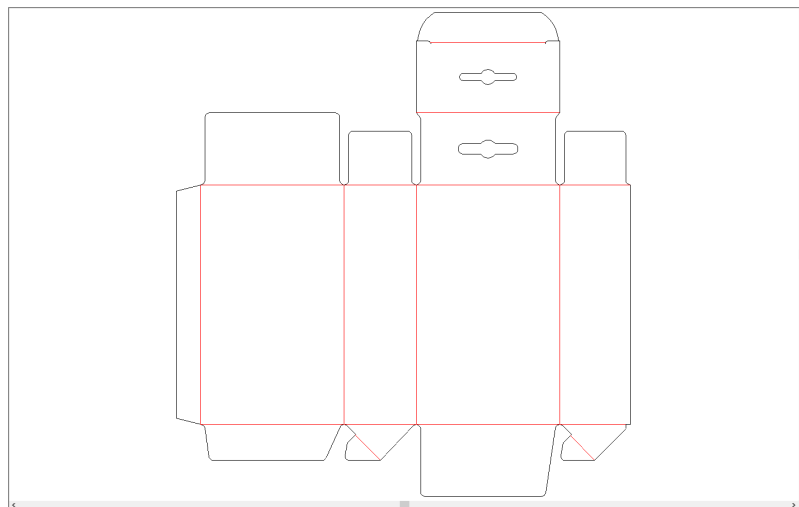


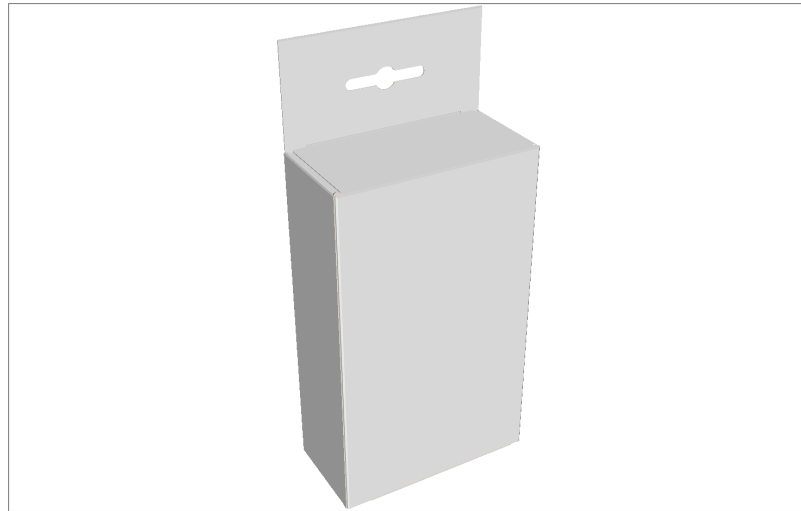
A61.11.01.03



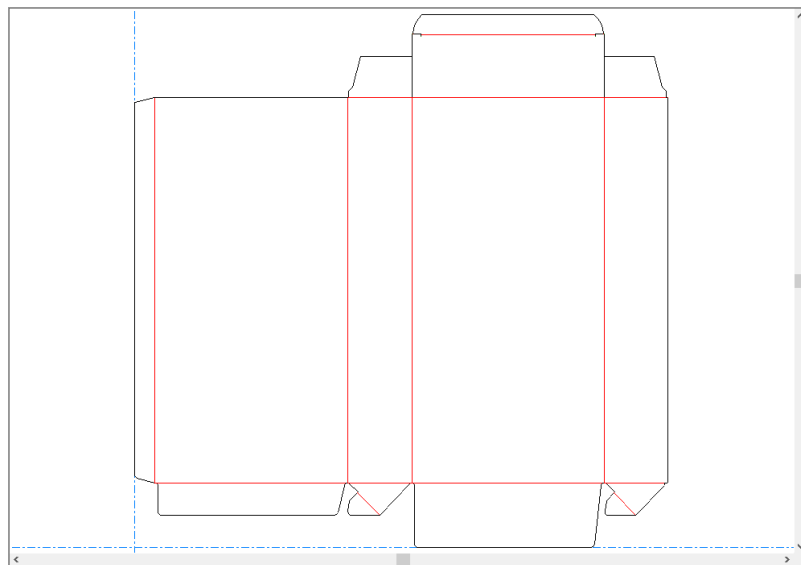


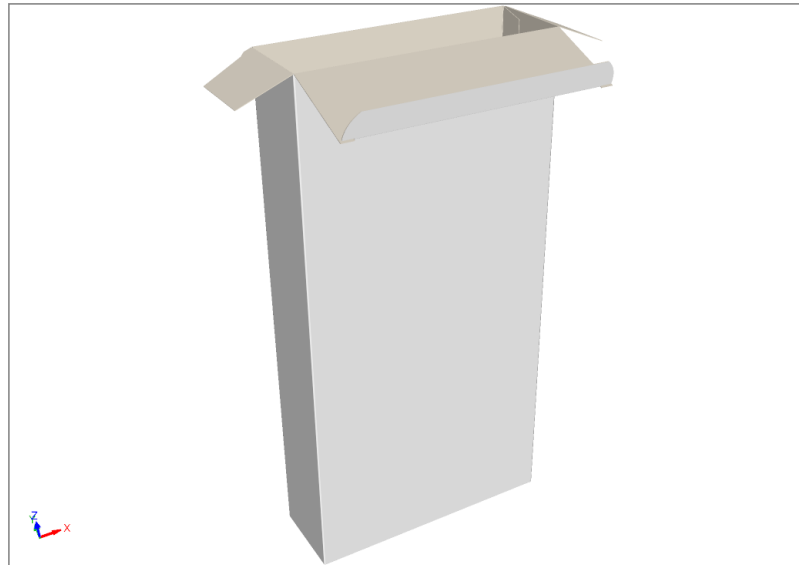
A61.15.01.03



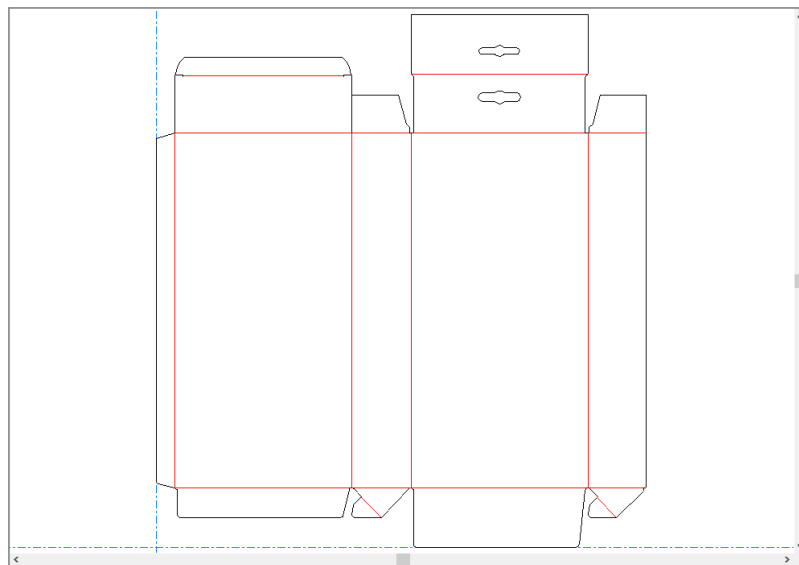


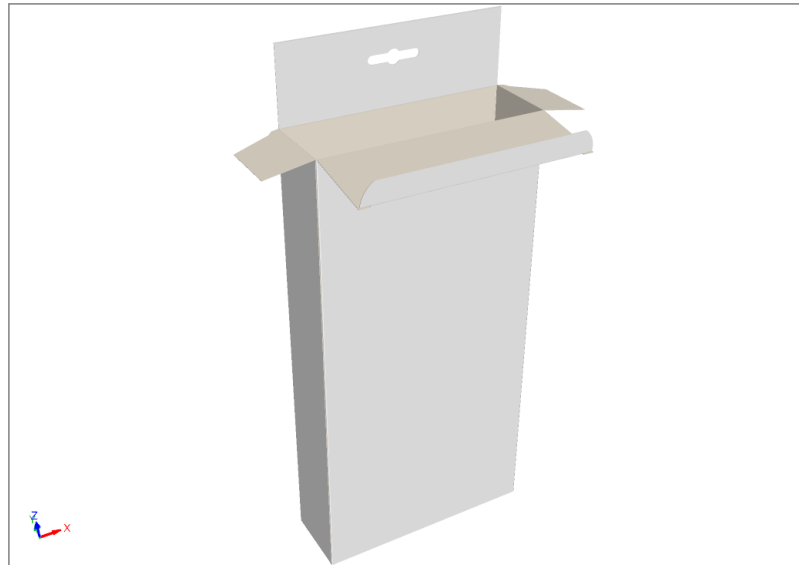
A61.20.01.03



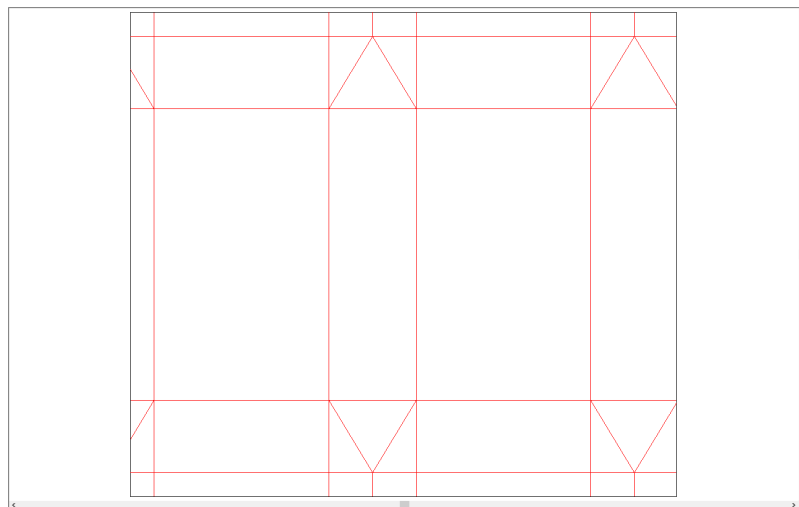


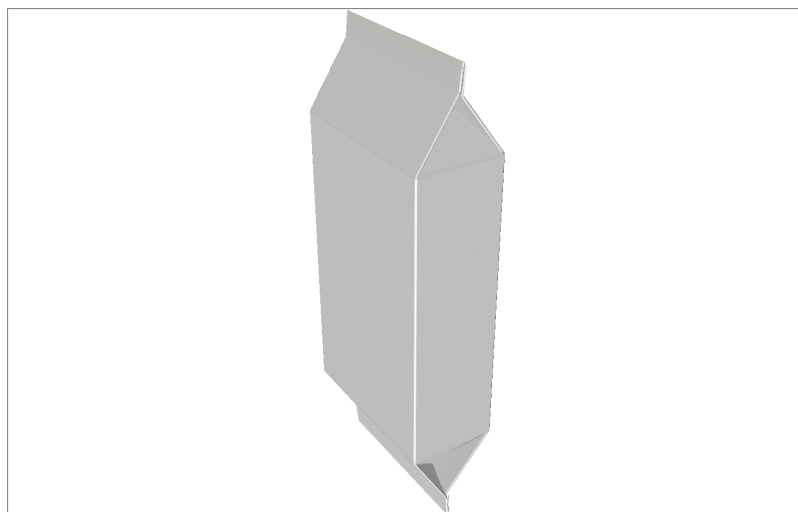
A61.21.01.03



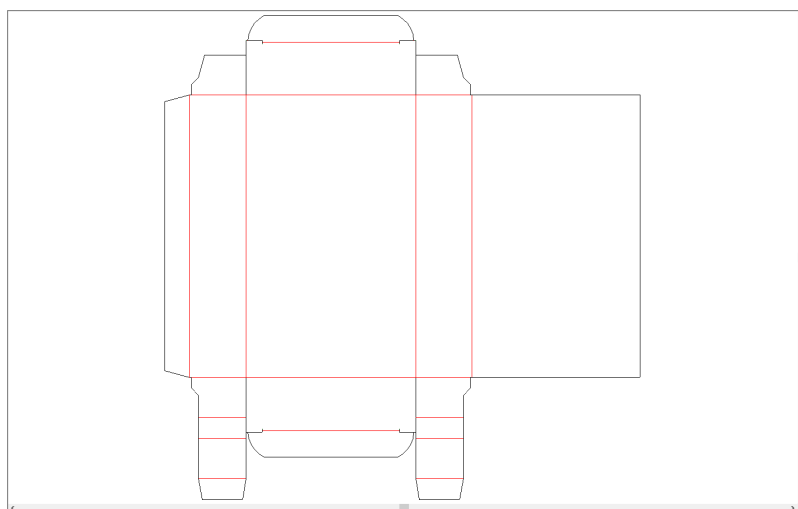


A70.70.00.00



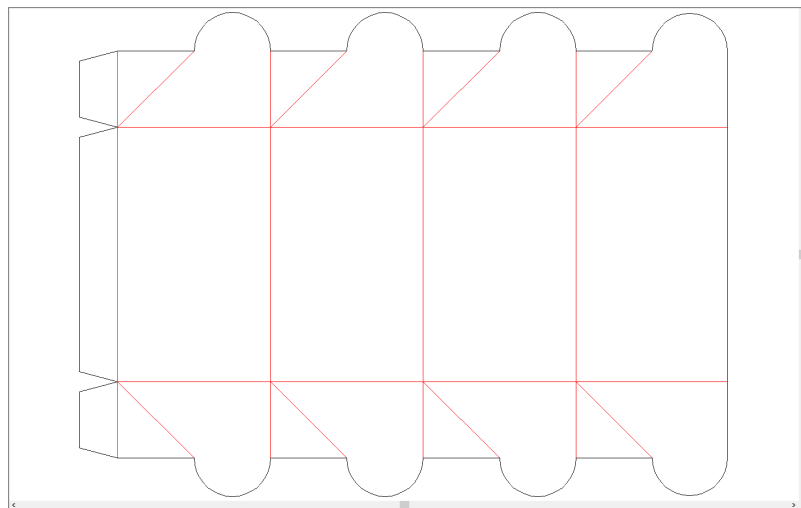


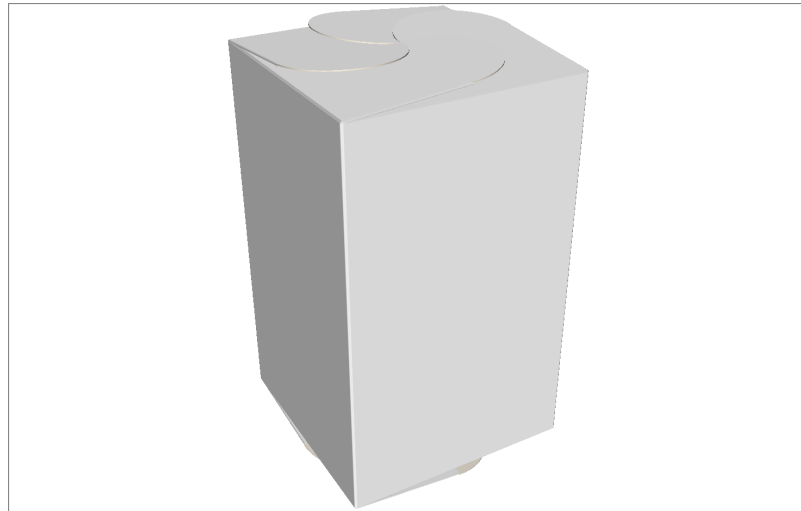
A80.20.02.02





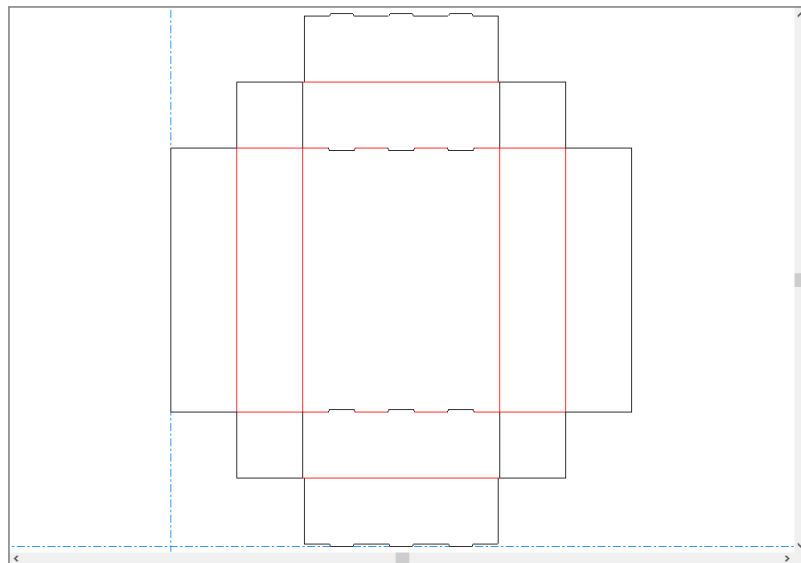
A82.82.00.00

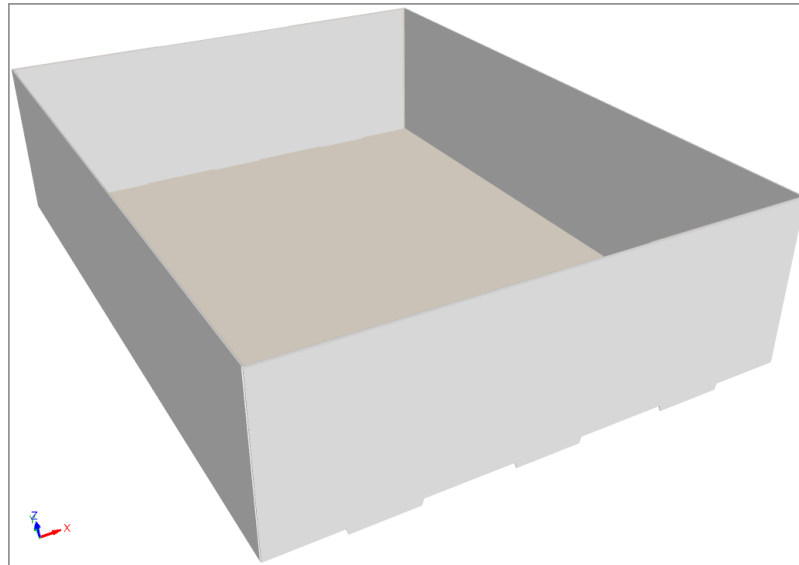




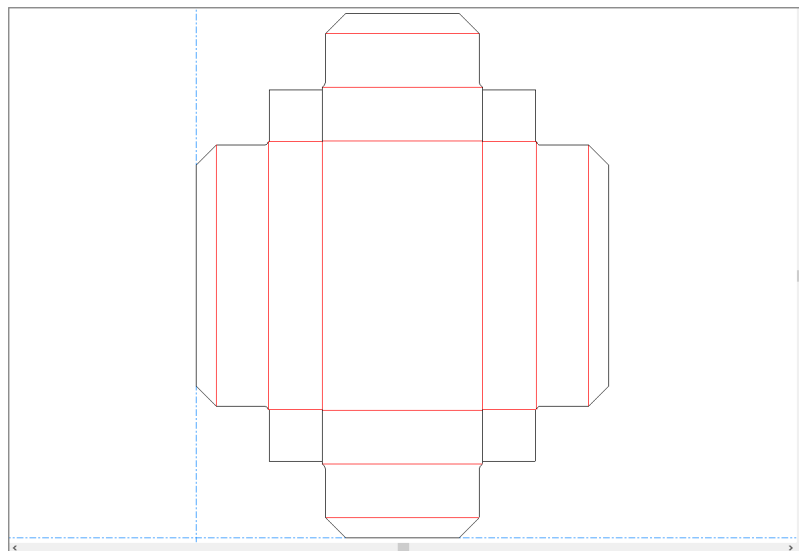
B Series

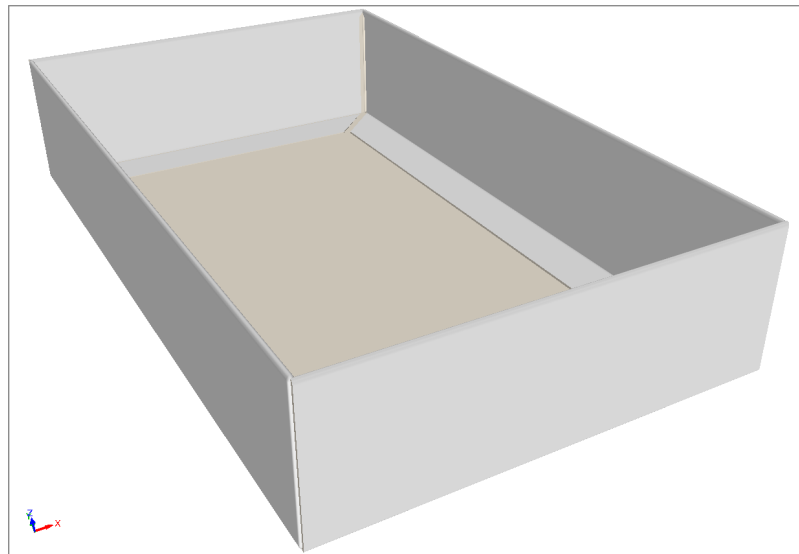
B10.01.00.00



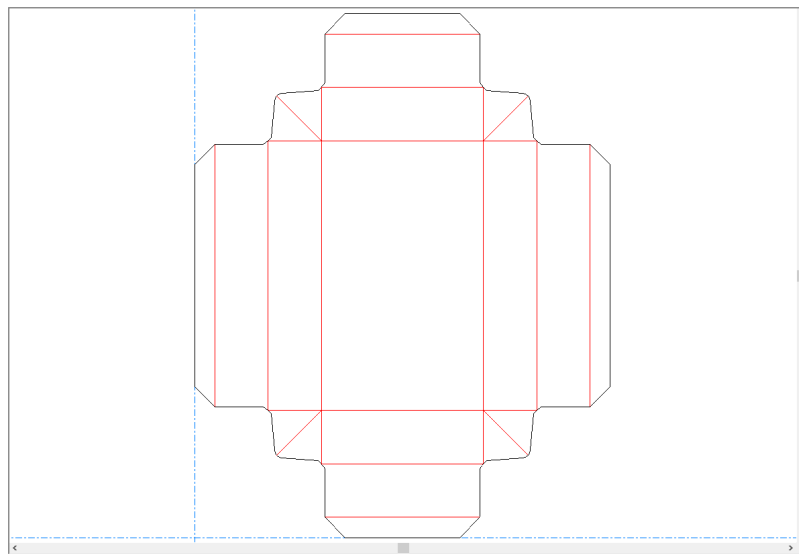


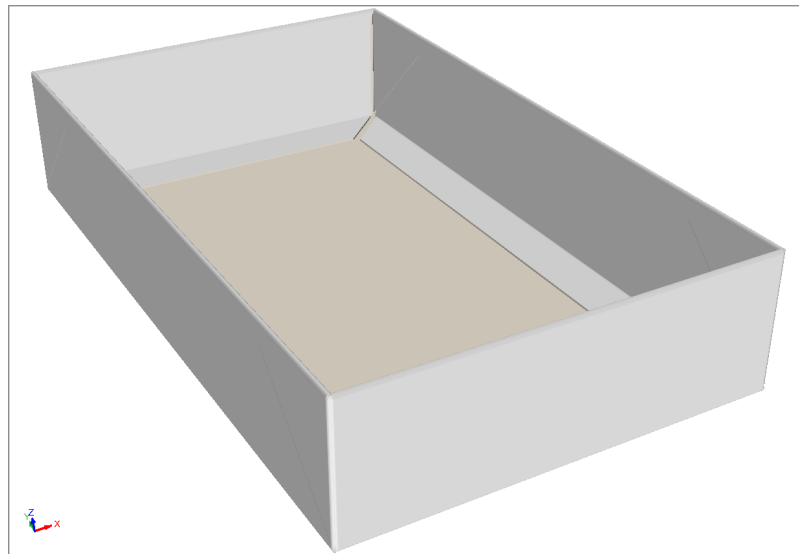
B10.02.00.00



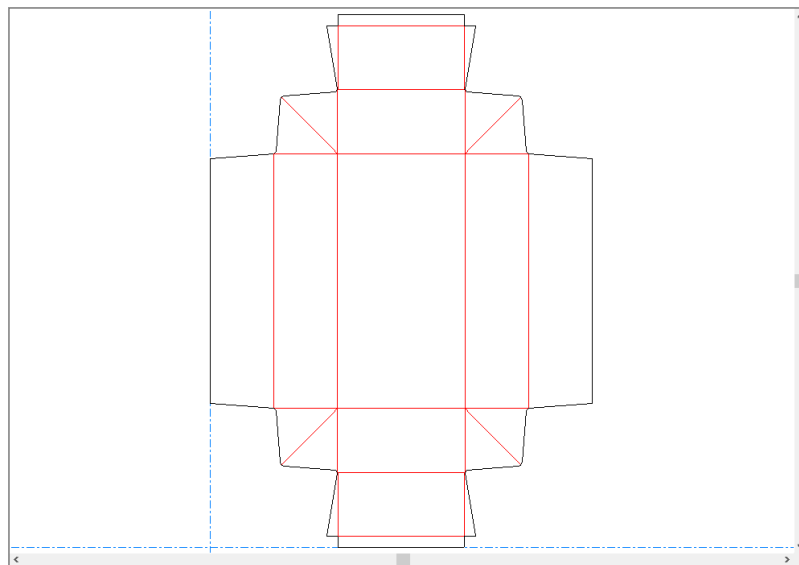


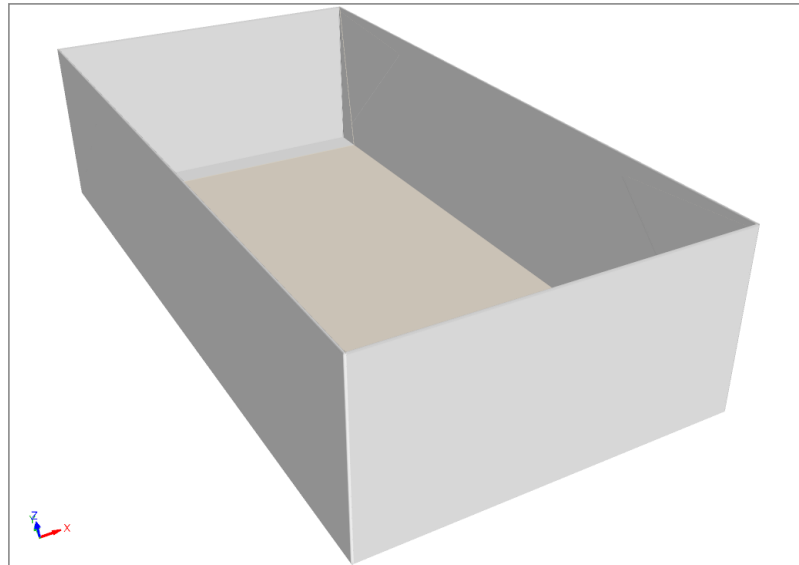
B10.04.00.00



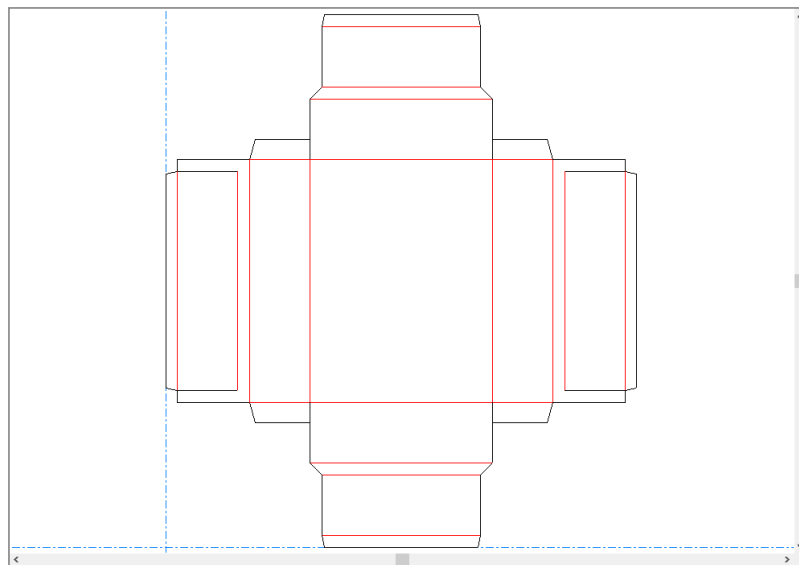


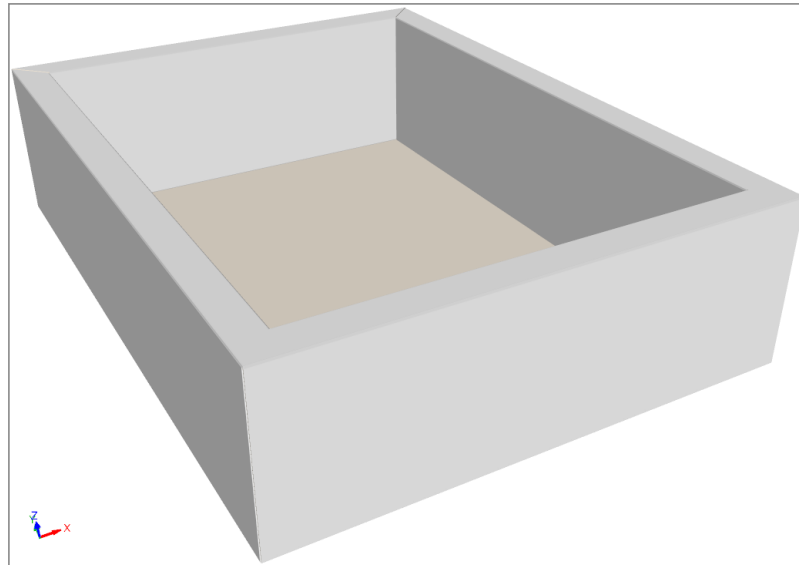
B11.02.00.00



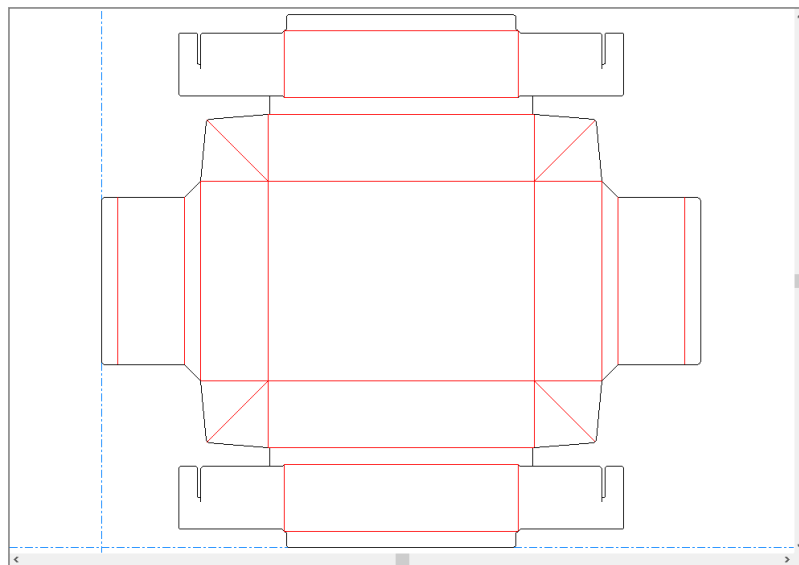


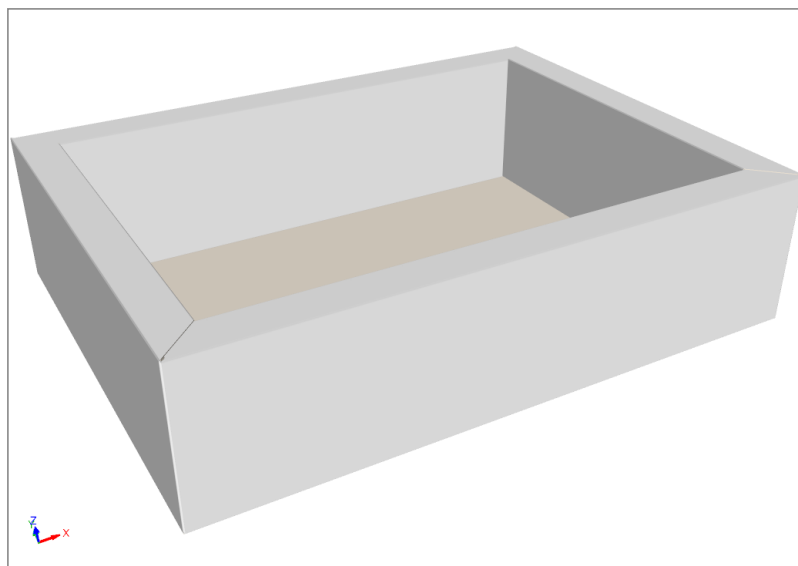
B14.02.00.00



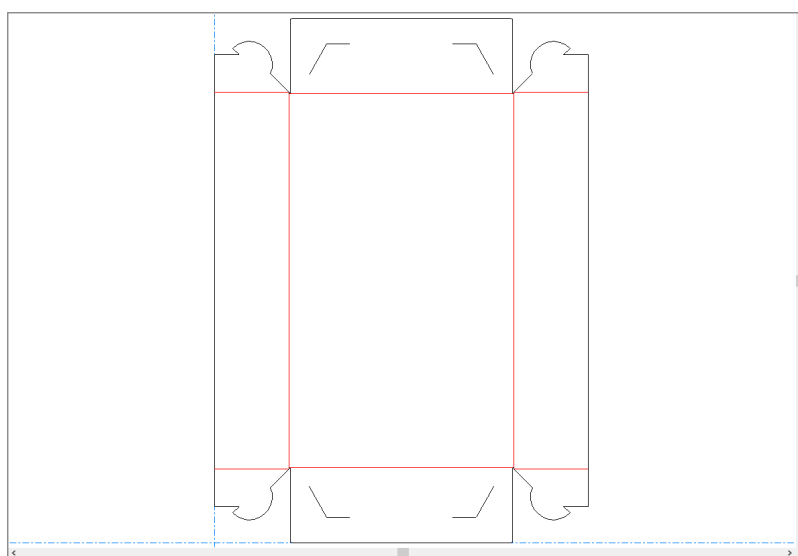


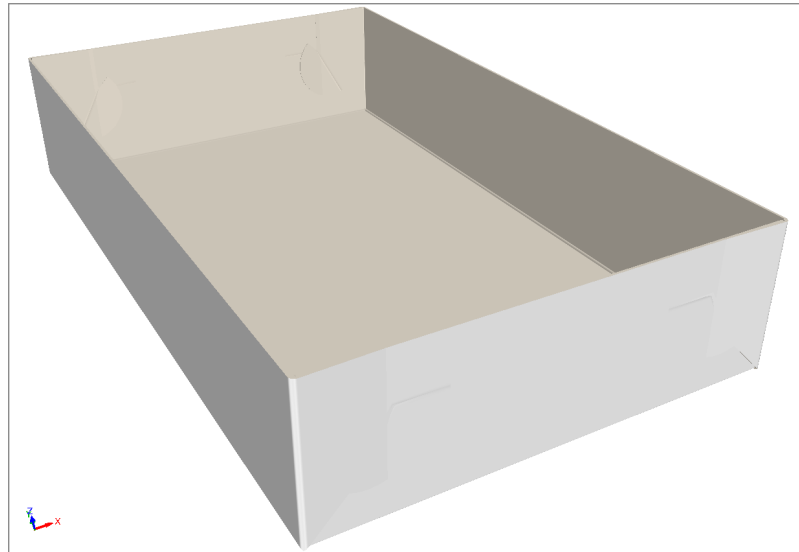
B14.05.00.00



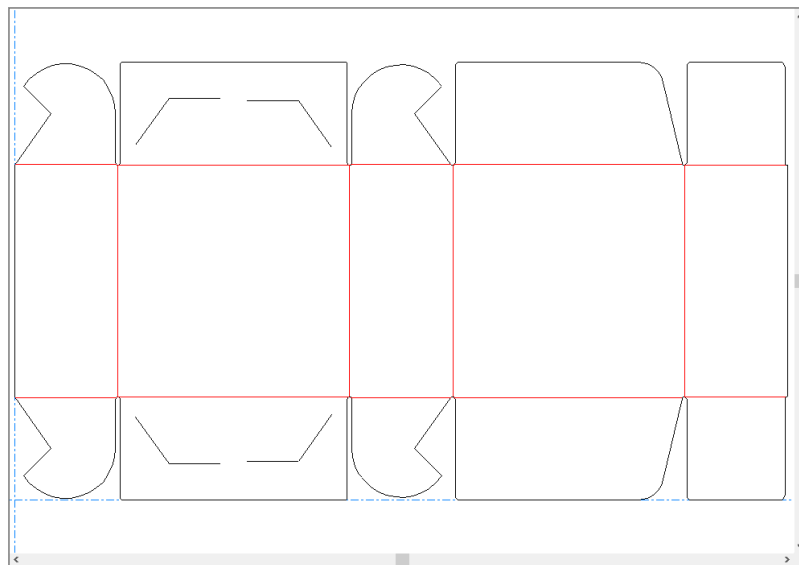


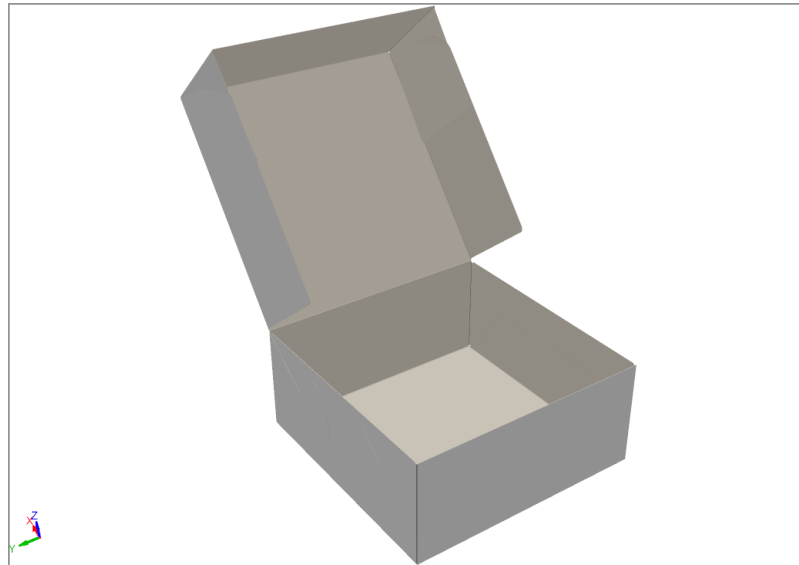
B15.06.00.00



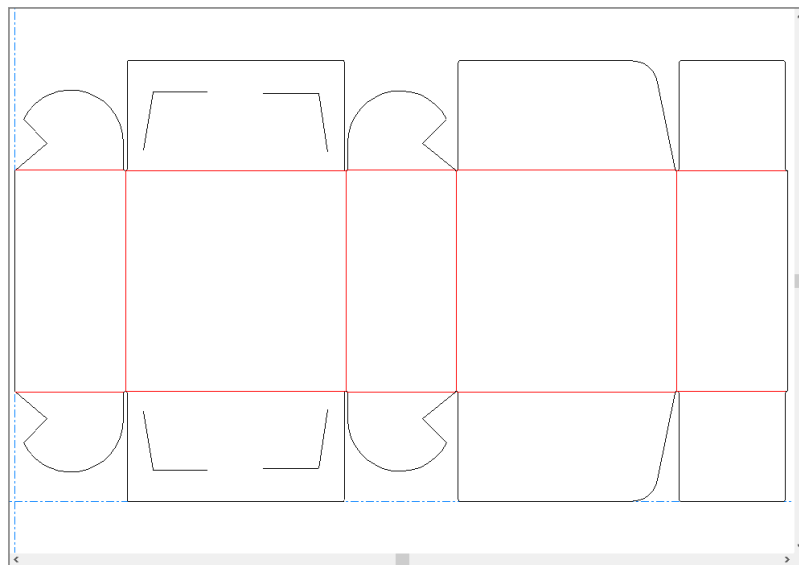


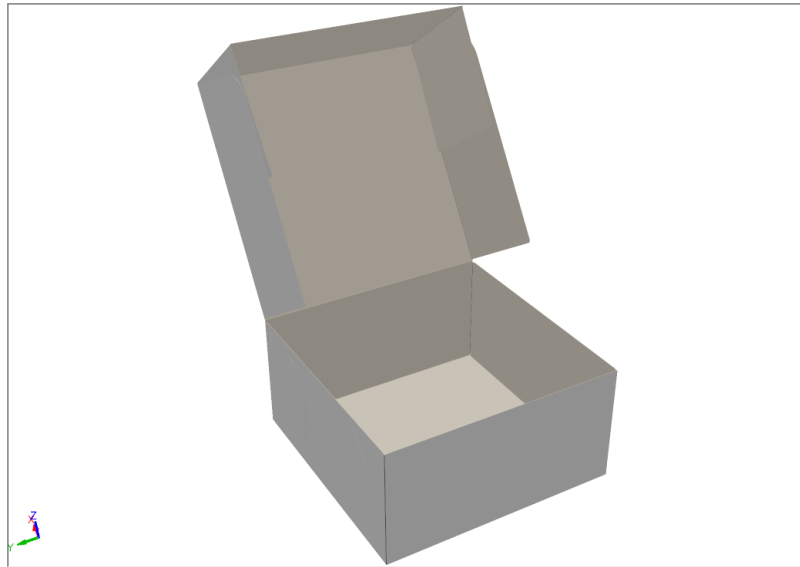
B15.06.00.53



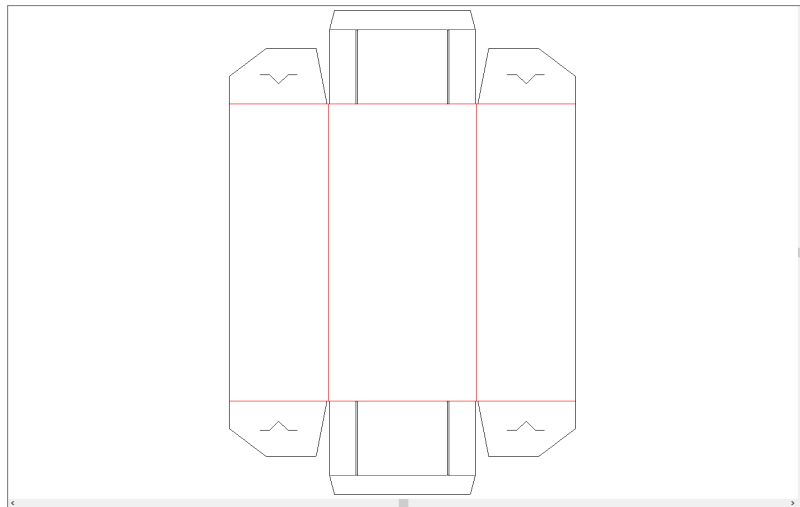


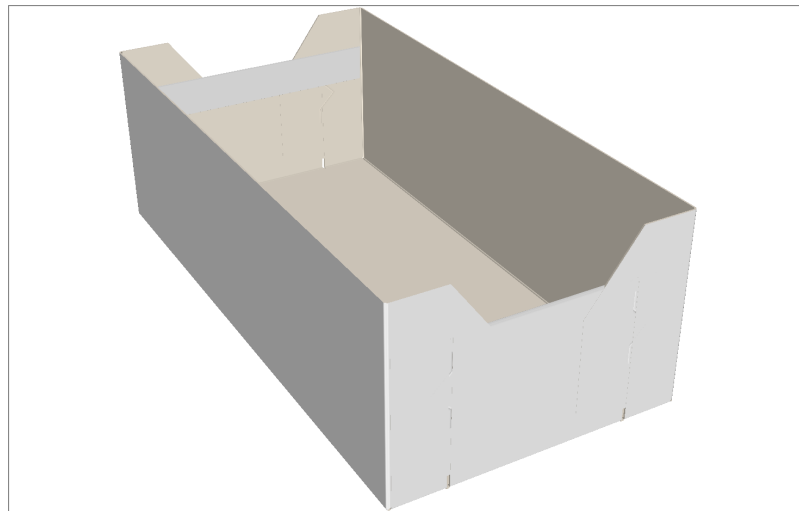
B15.06.00.60



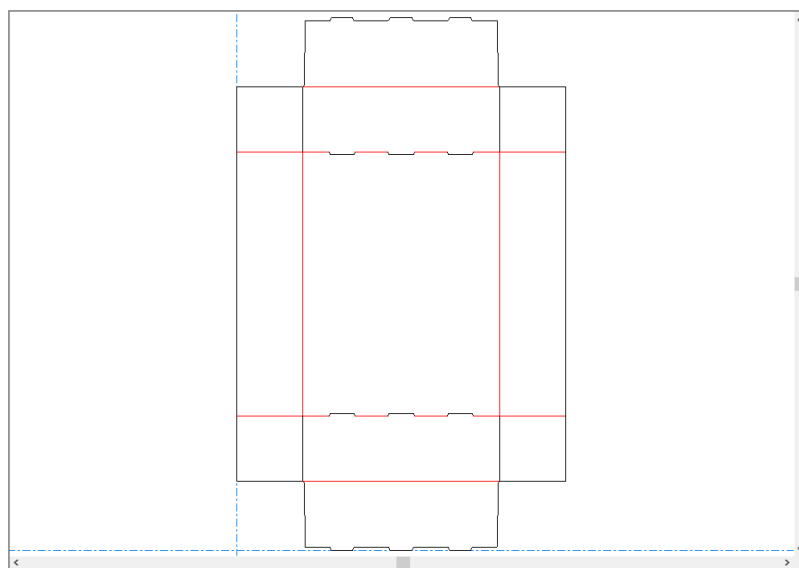


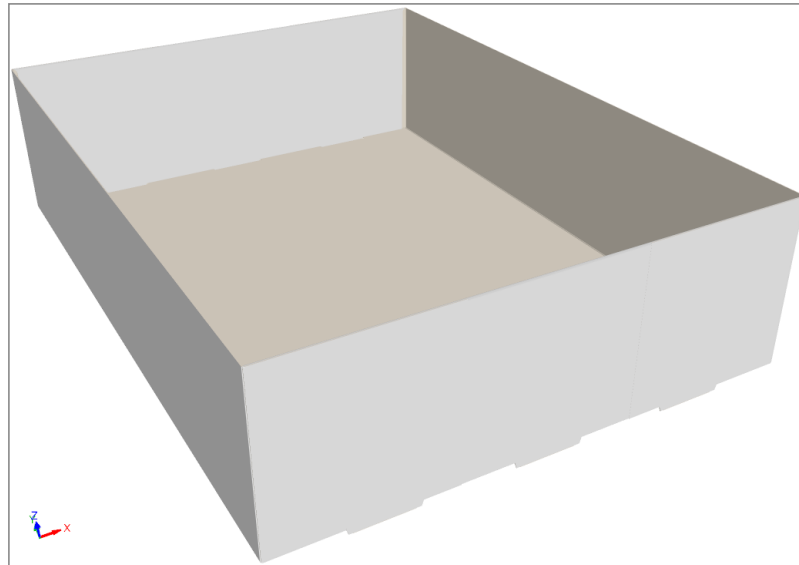
B15.07.82.00



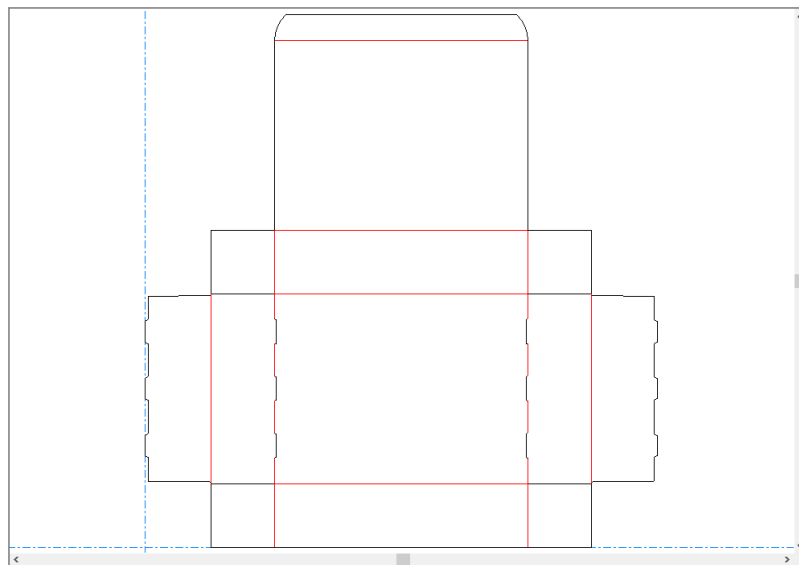


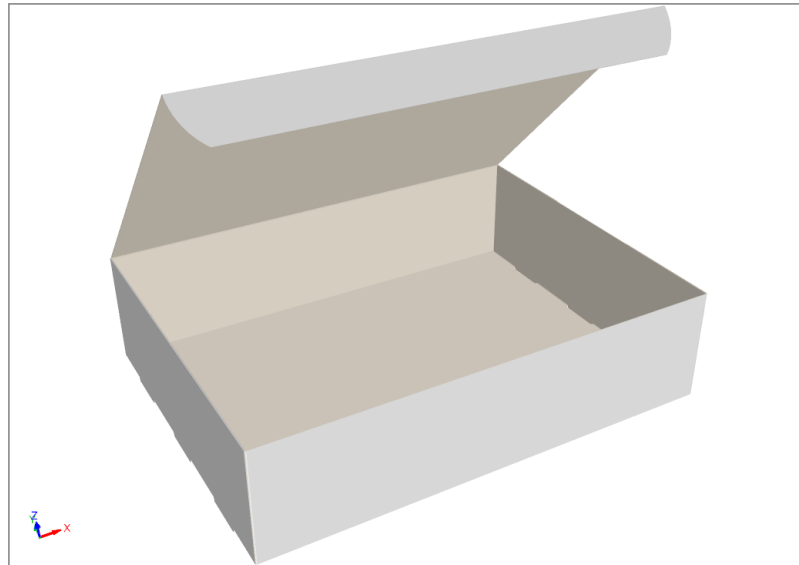
B20.01.00.00



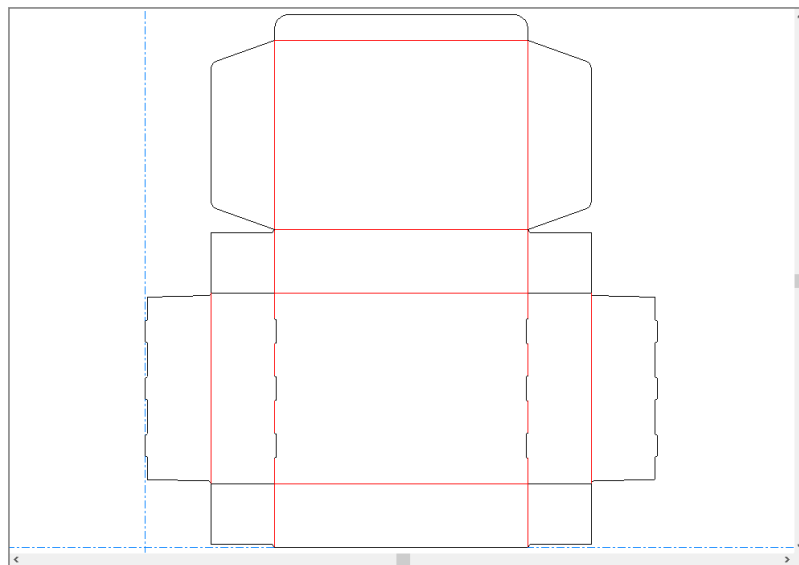


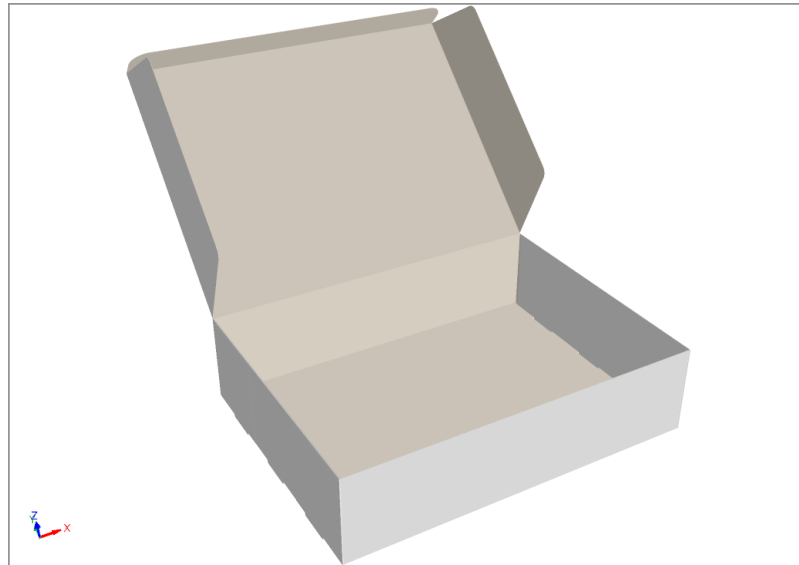
B20.01.00.50



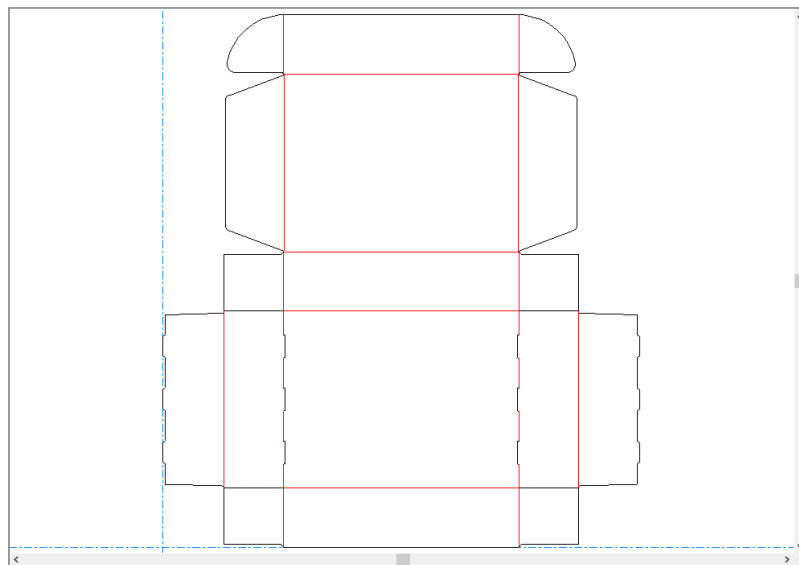


B20.01.82.50



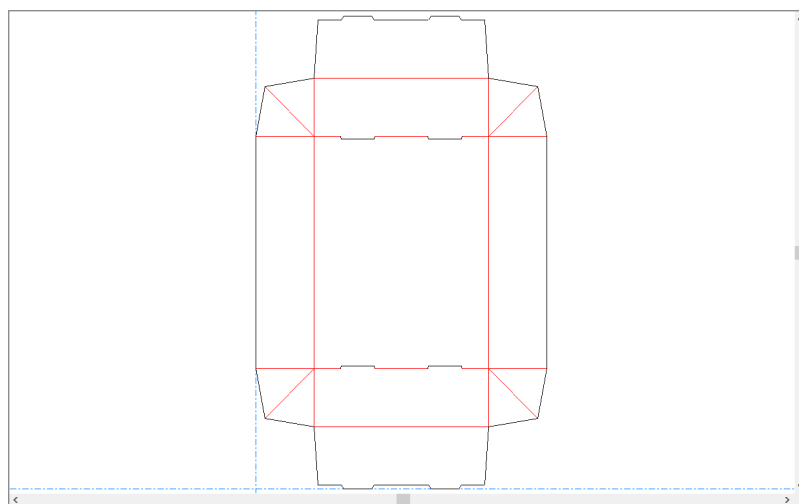


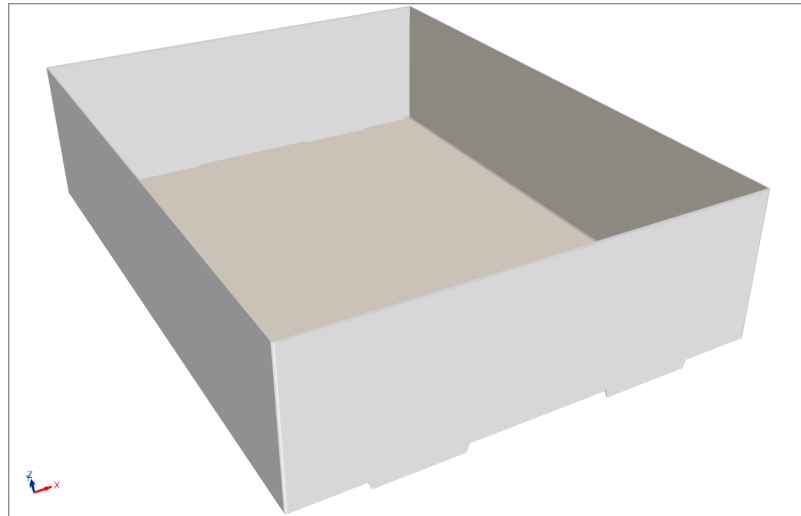
B20.01.82.53



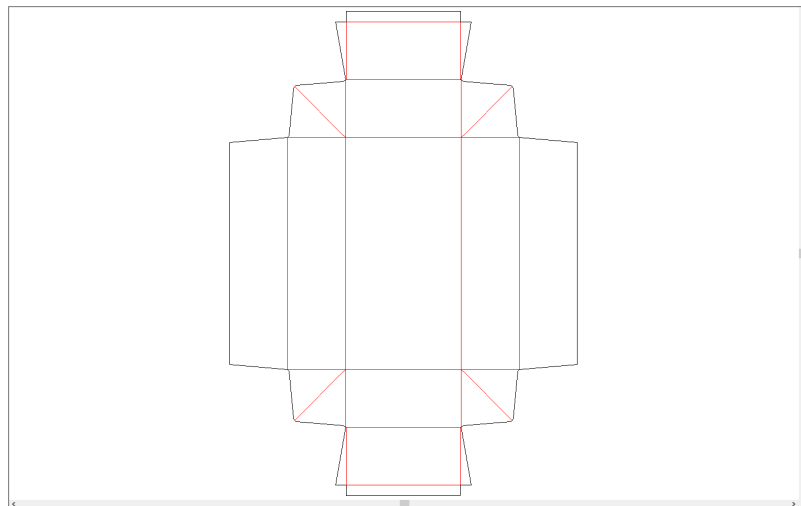


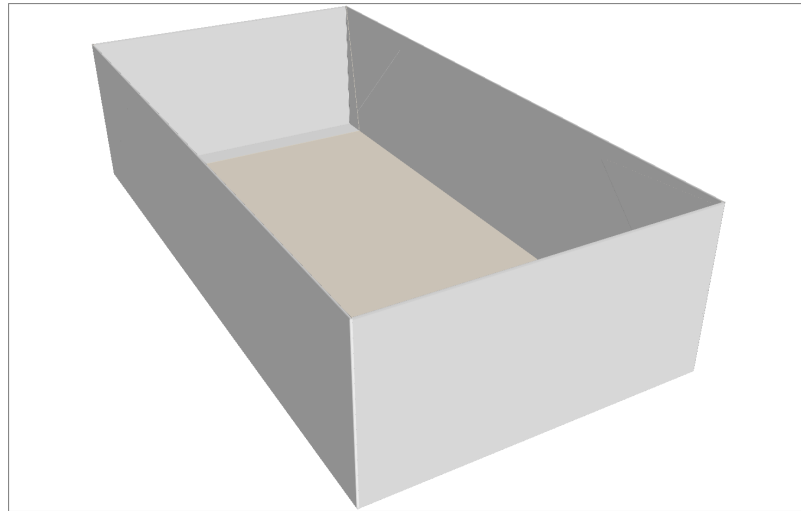
B20.04.00.00



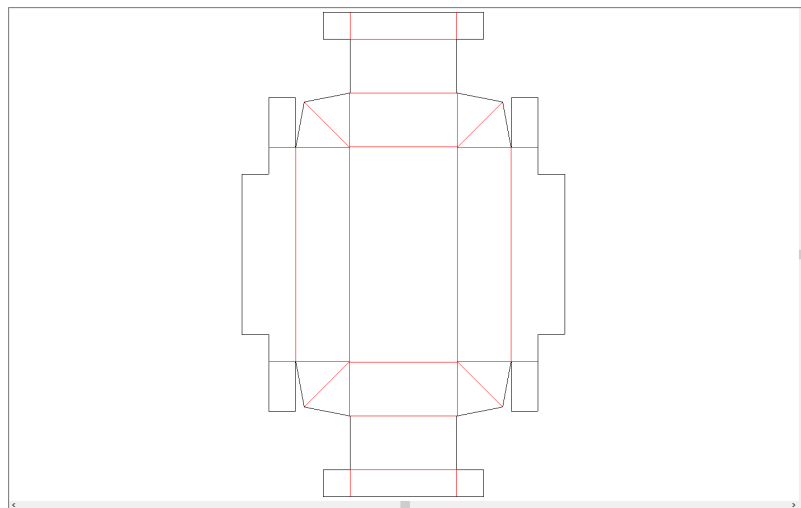


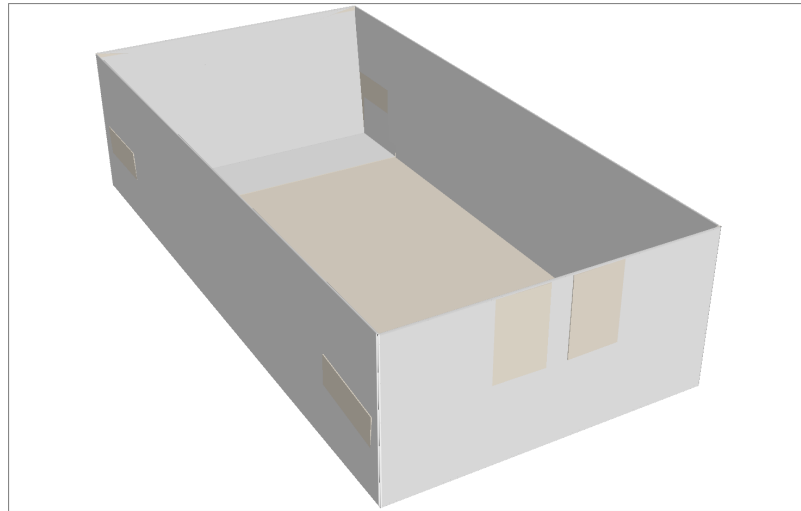
B31.02.00.00



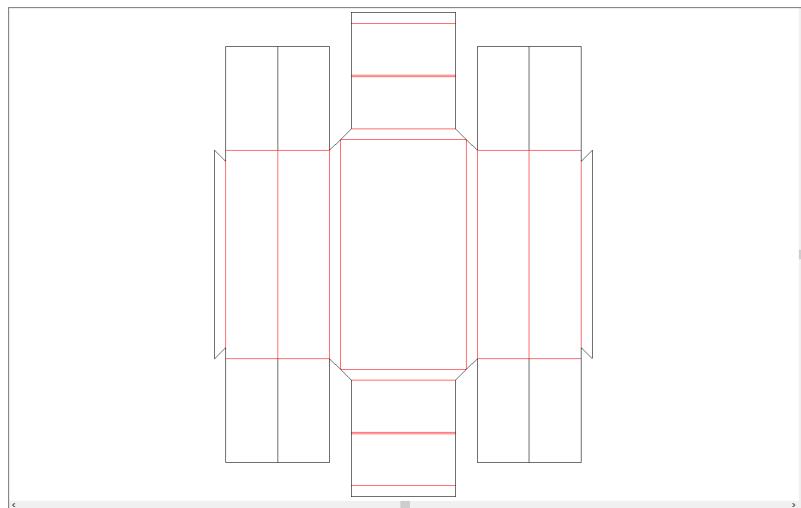


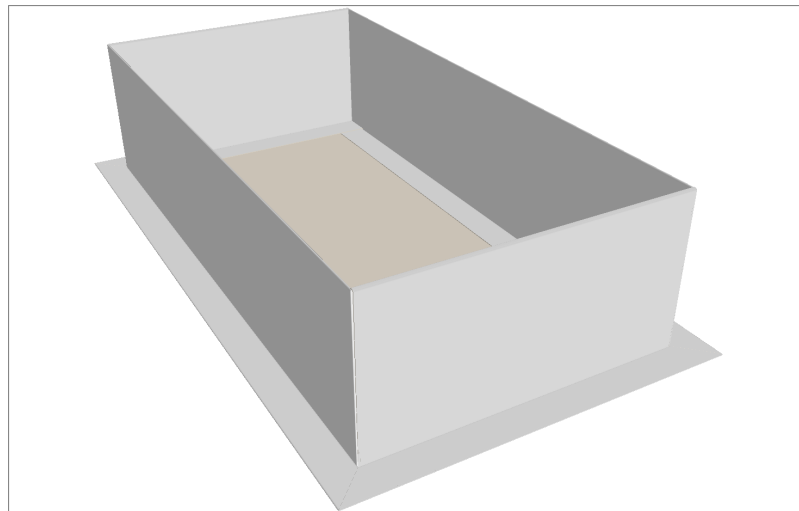
B31.04.00.00



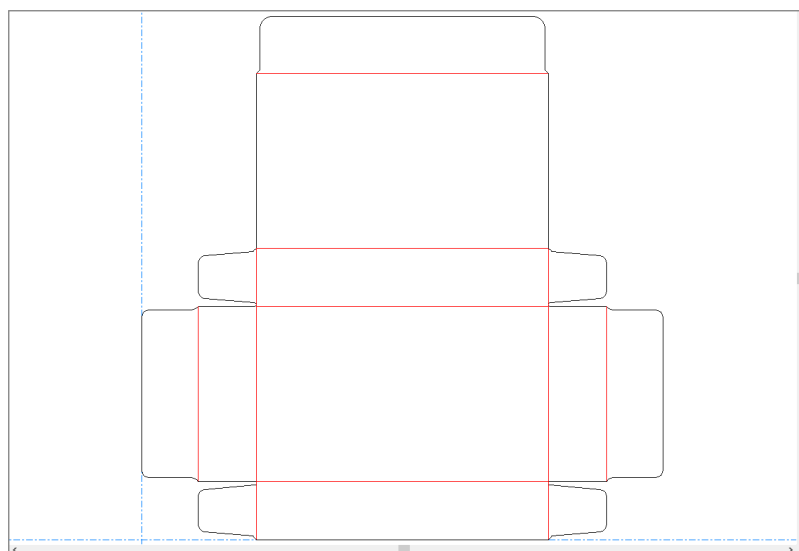


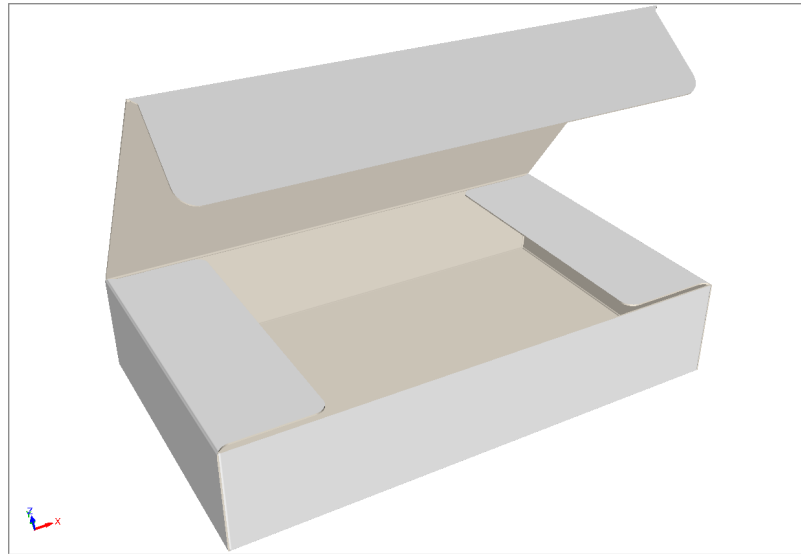
B32.02.00.00



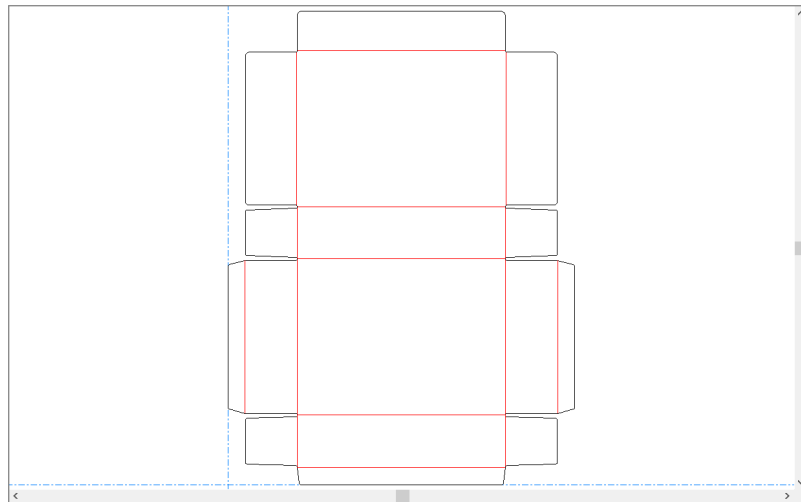


B40.20.82.50



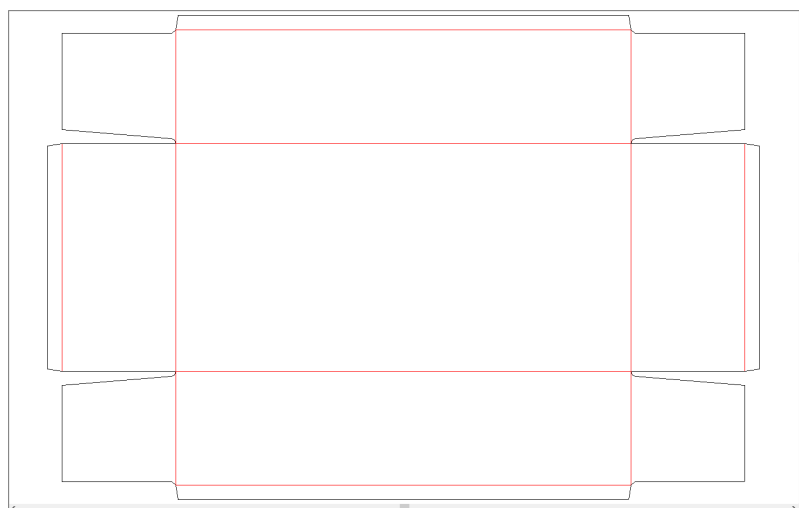


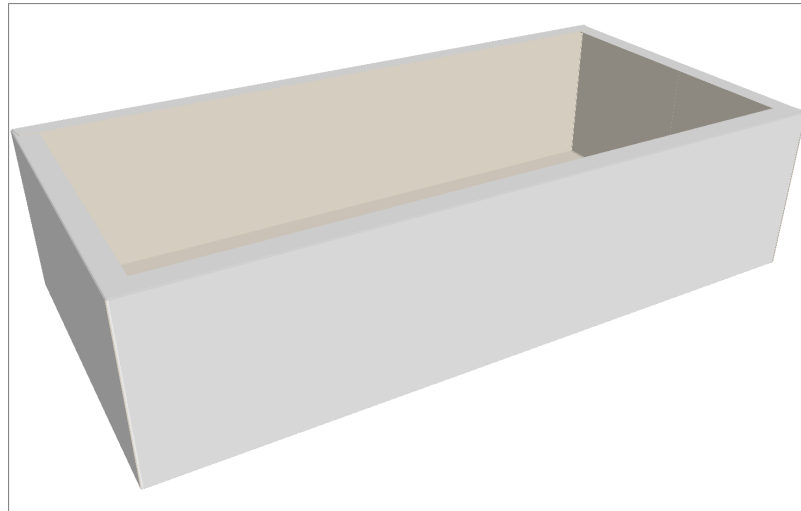
B40.20.83.53



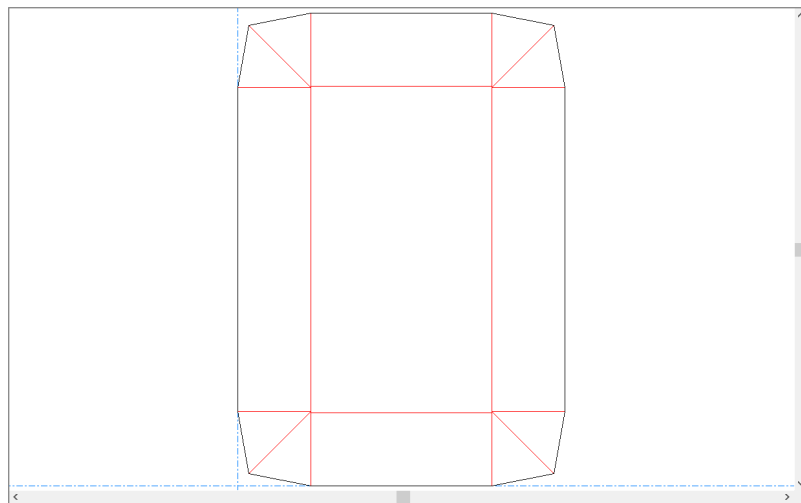


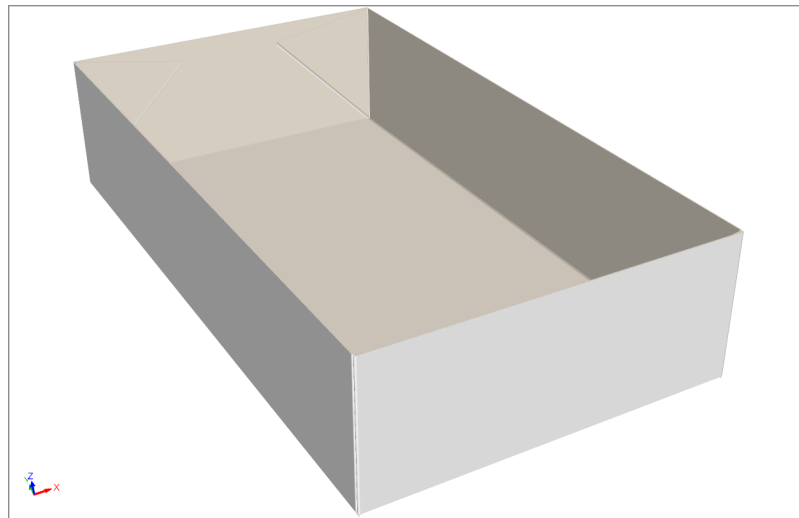
B40.20.84.00



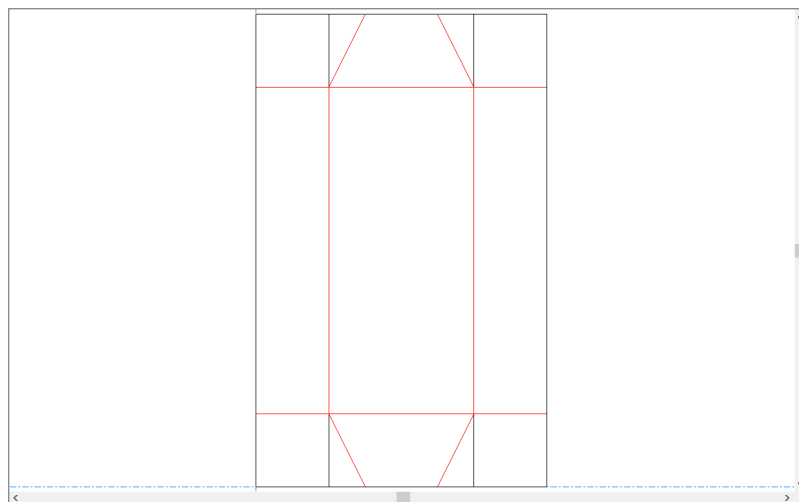


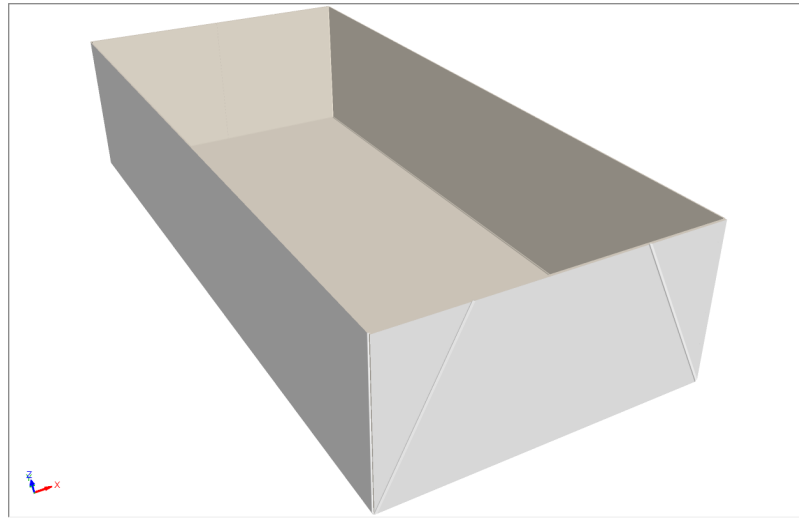
B40.21.00.00



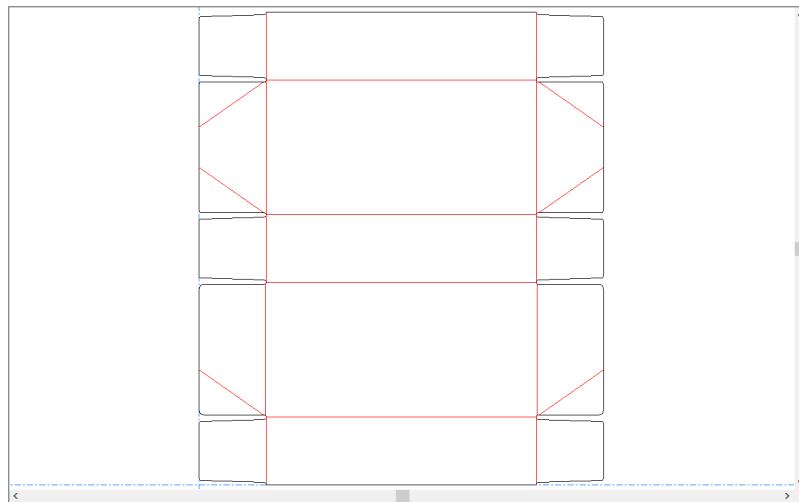


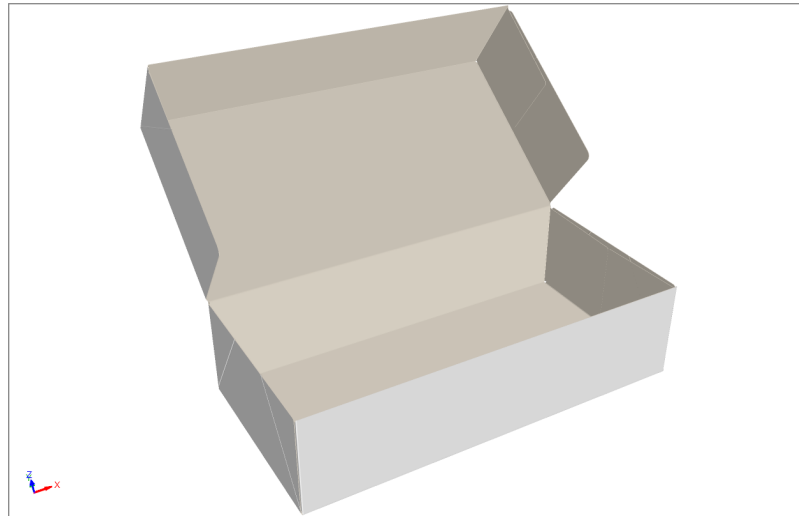
B40.22.00.00



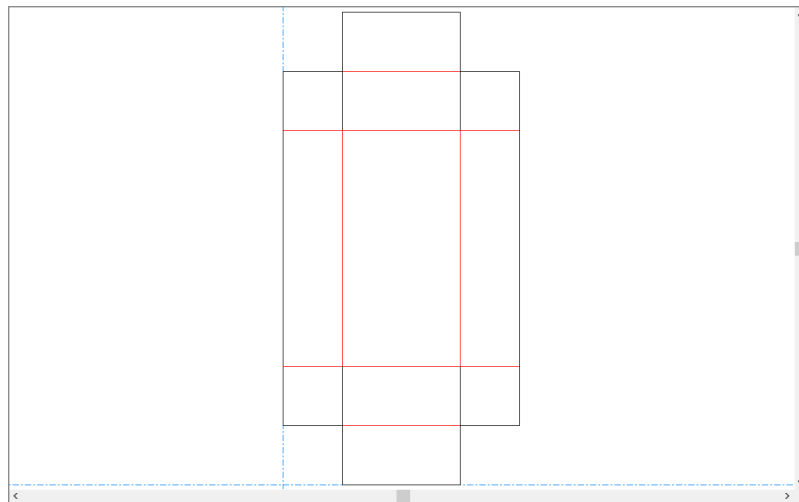


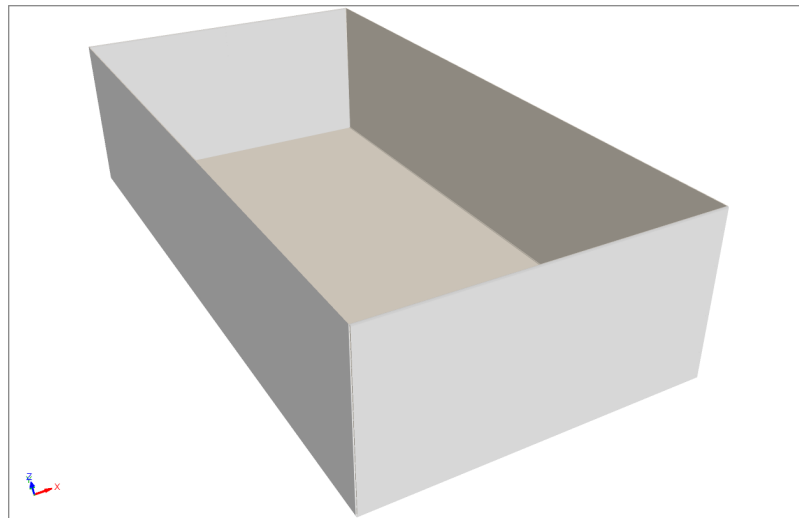
B40.22.00.61



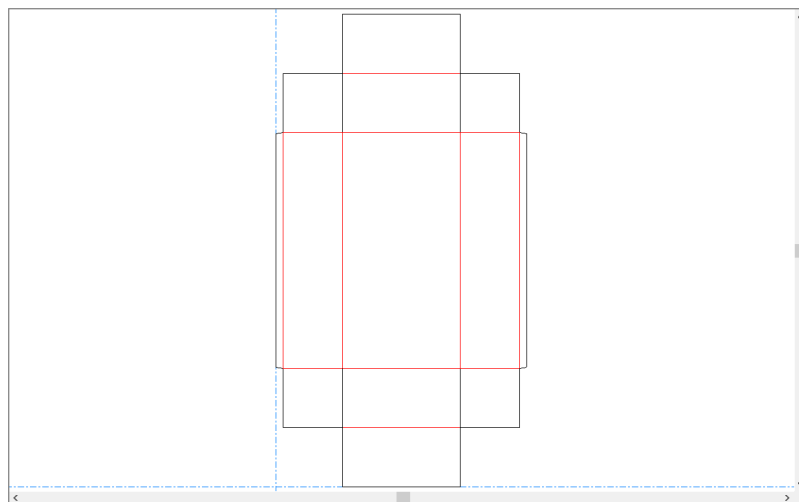


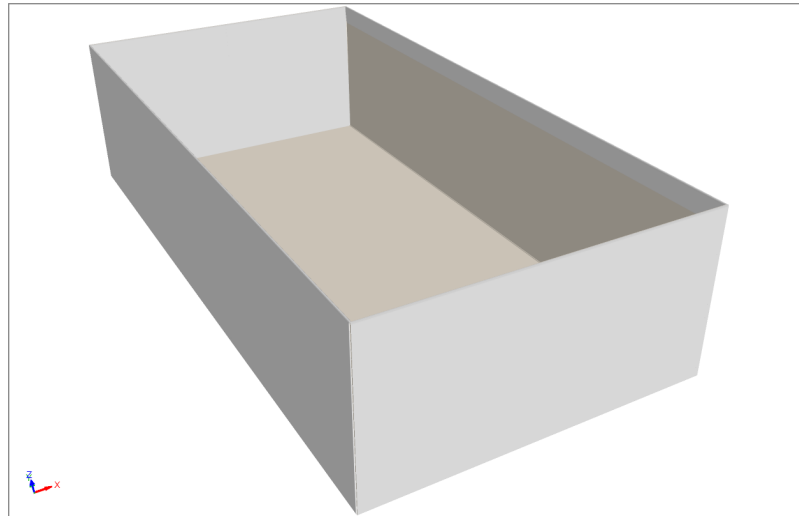
B44.20.00.00



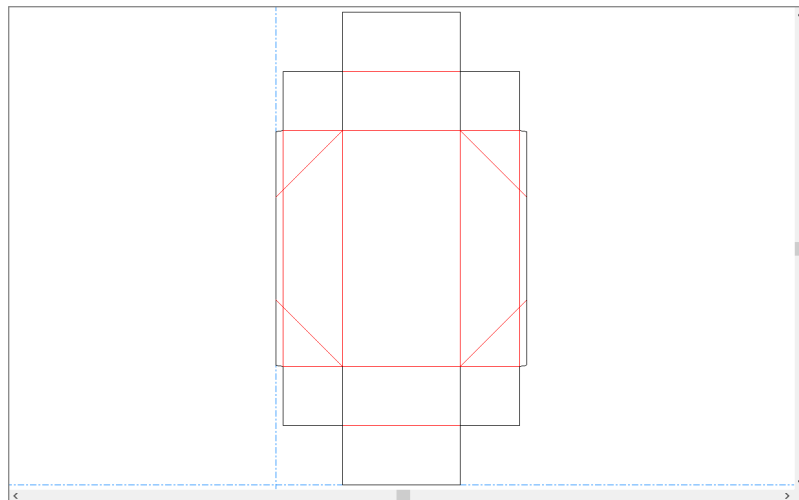


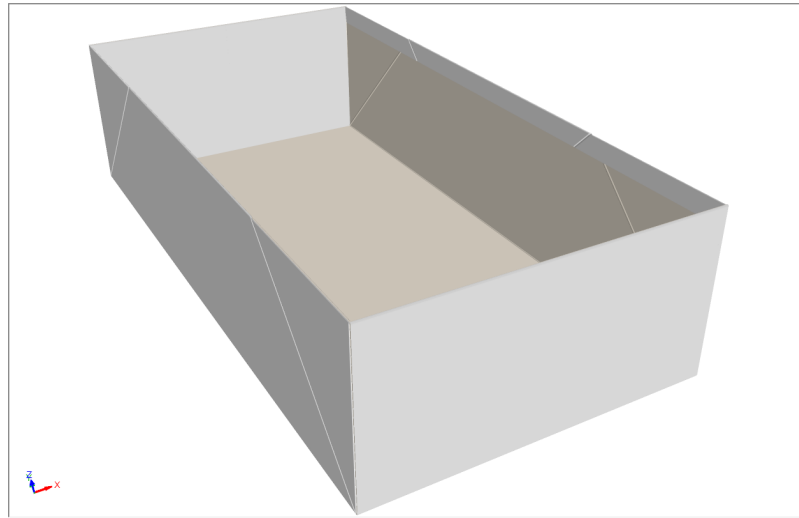
B44.20.82.00



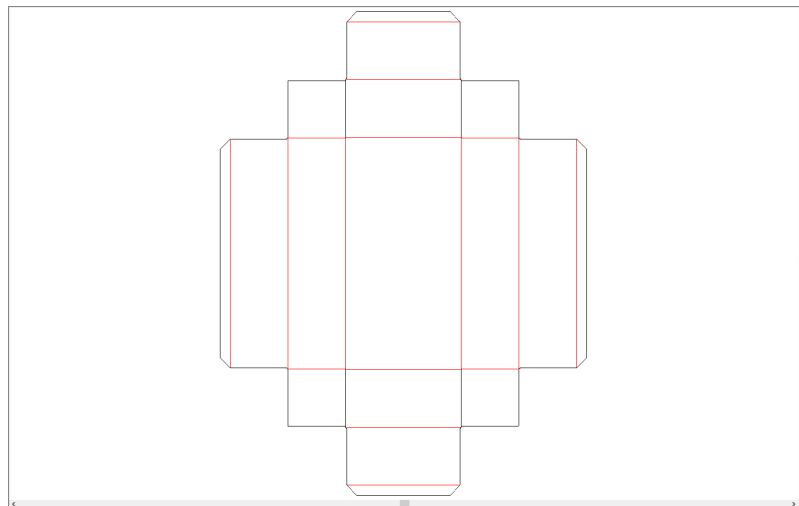


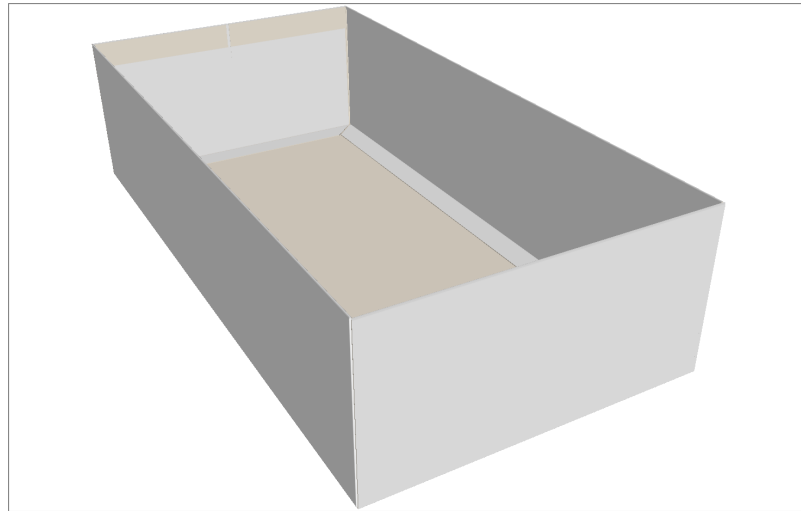
B44.23.82.00



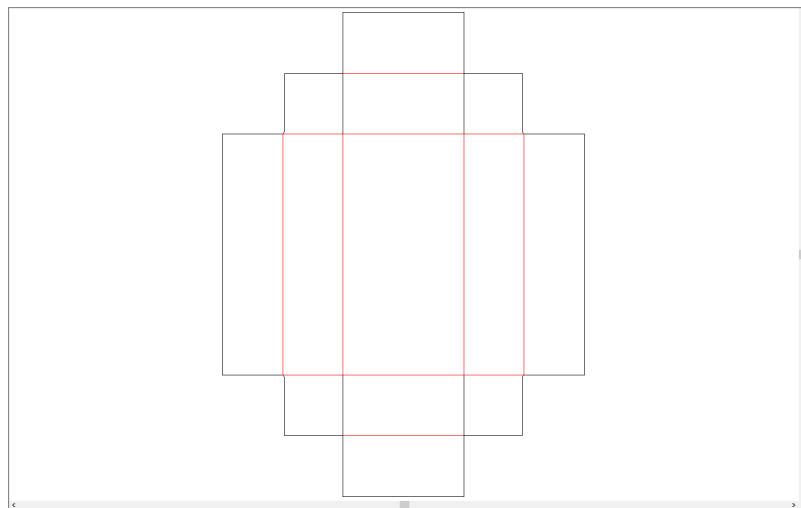


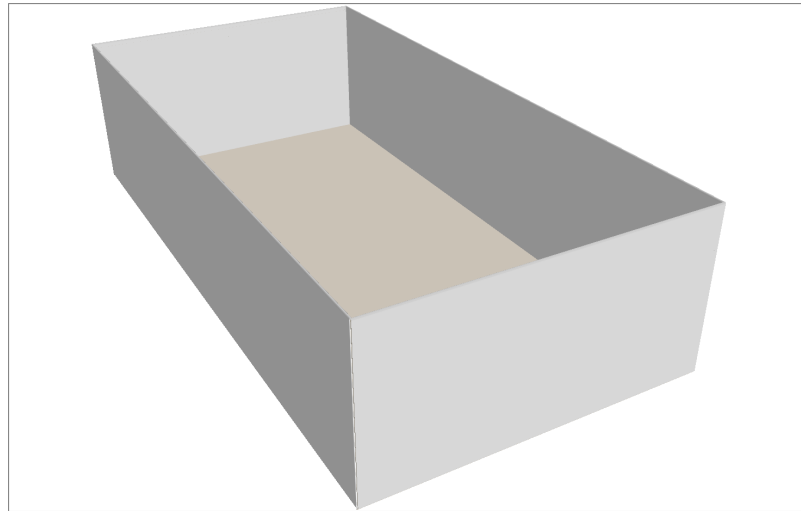
B48.02.00.00



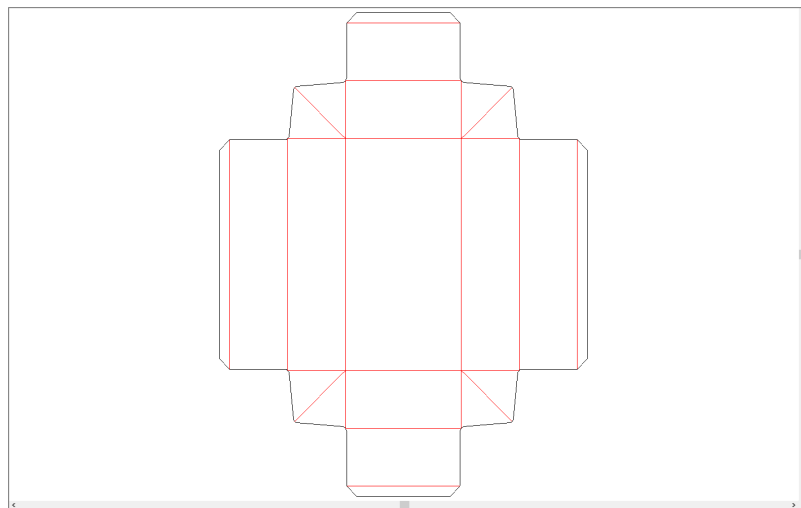


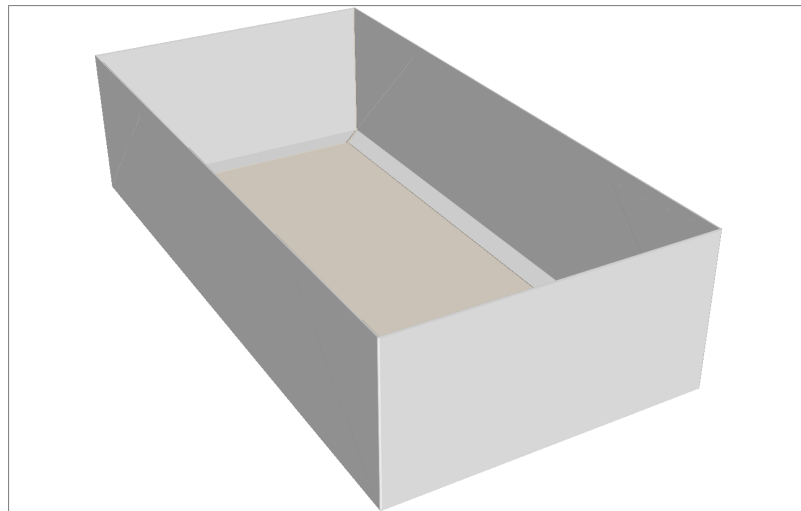
B48.20.00.00



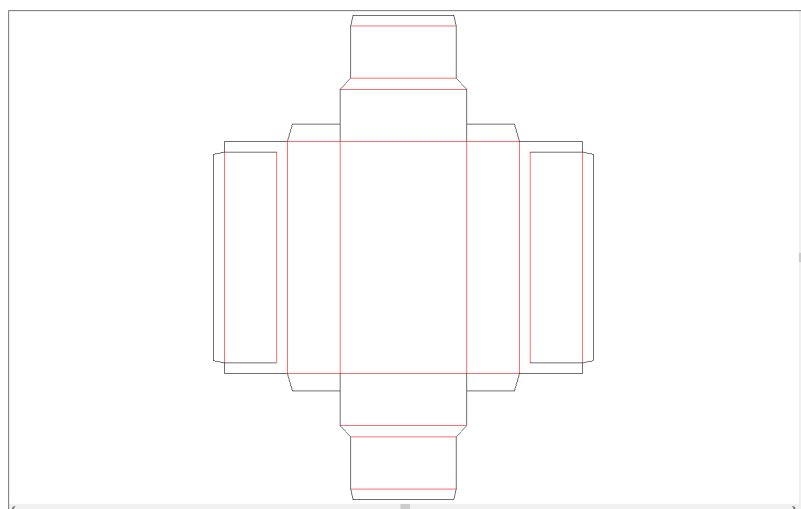


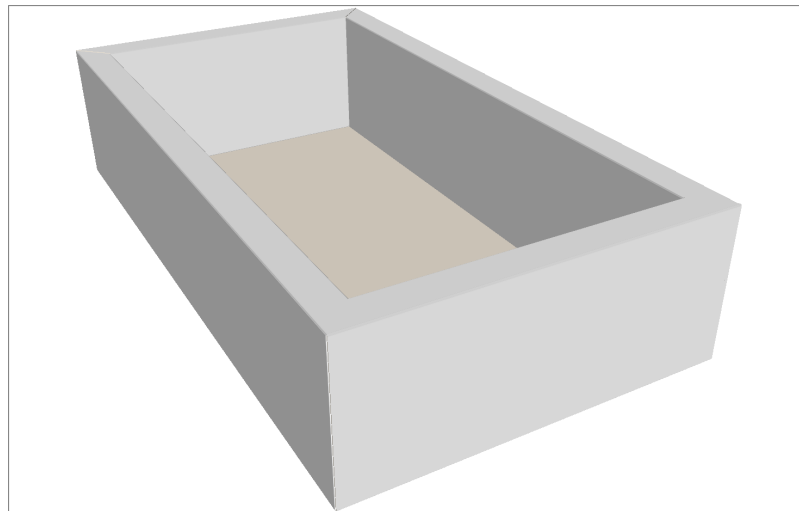
B48.21.00.00



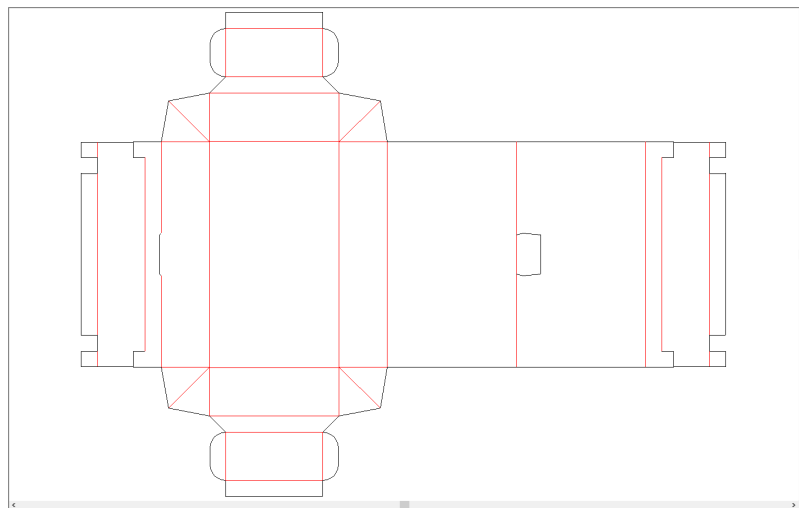


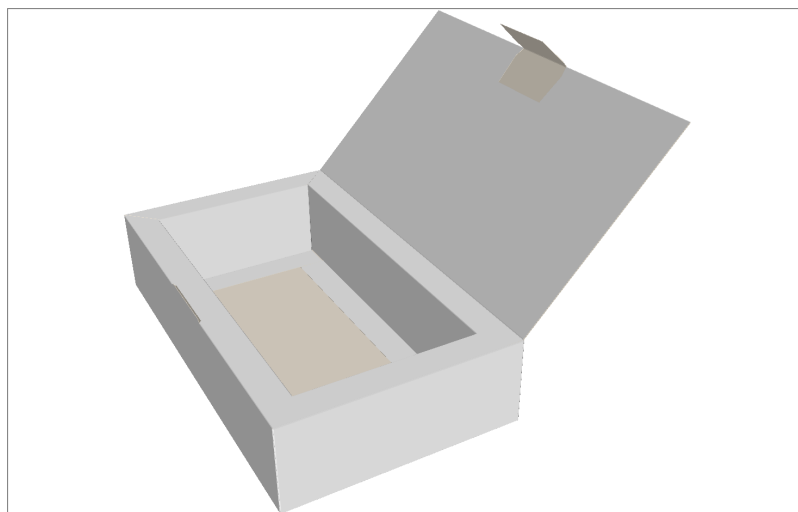
B49.20.00.00





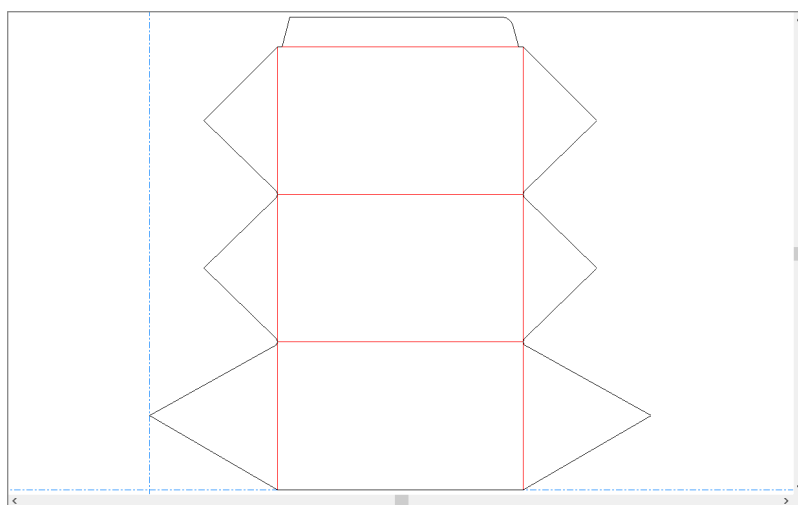
B49.21.00.51

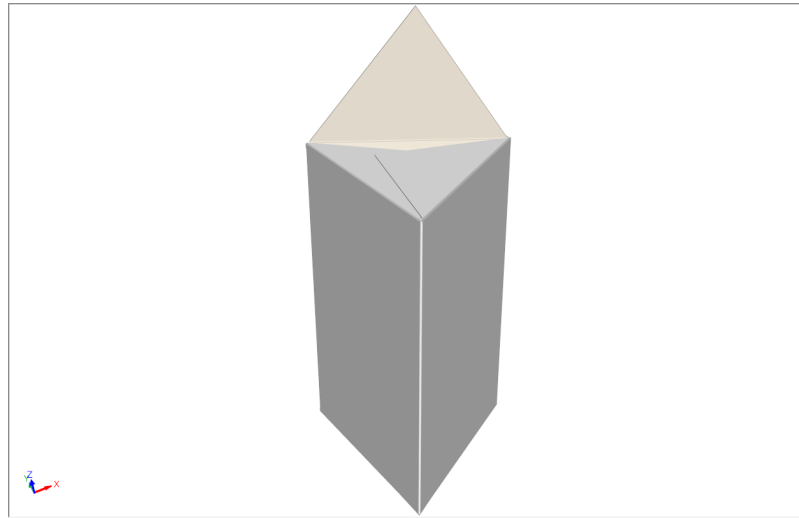




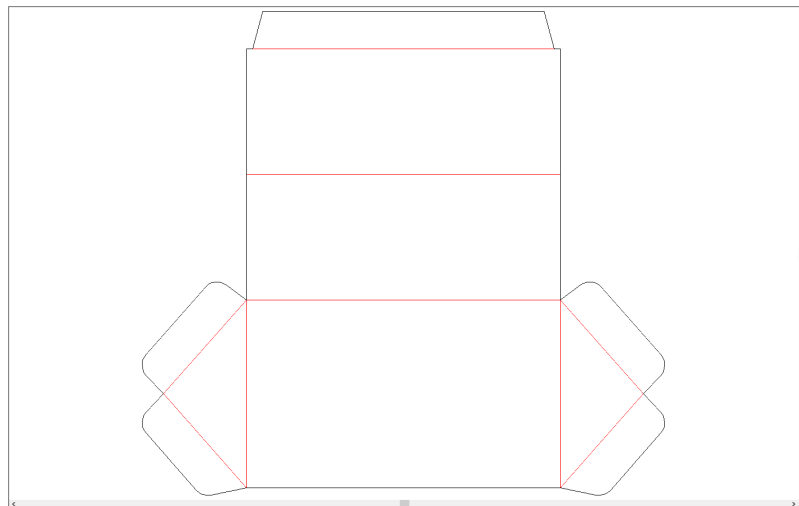
C Series

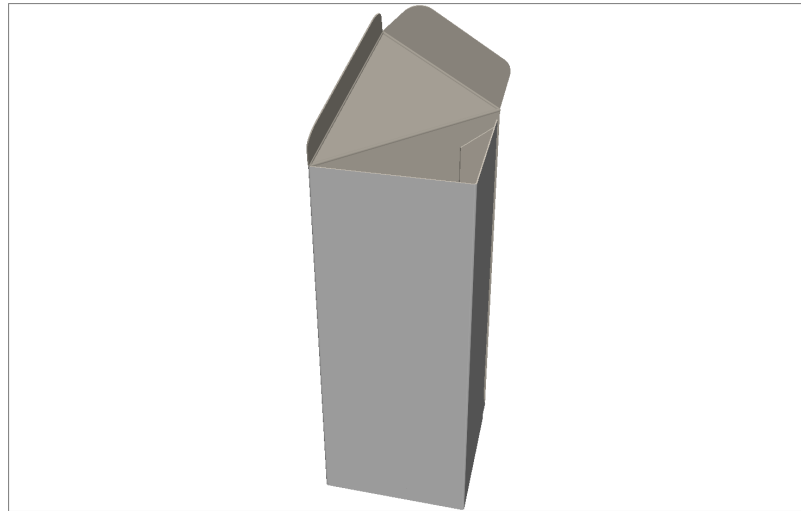
C10.10.10.10



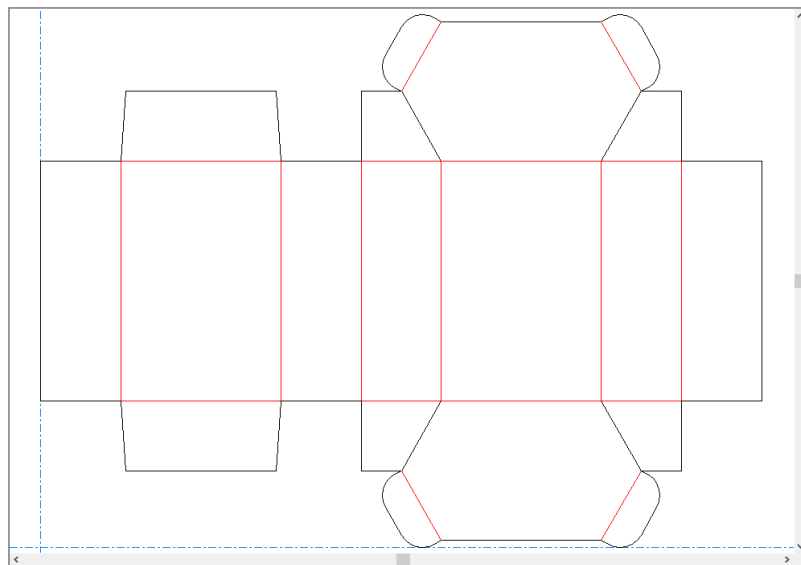


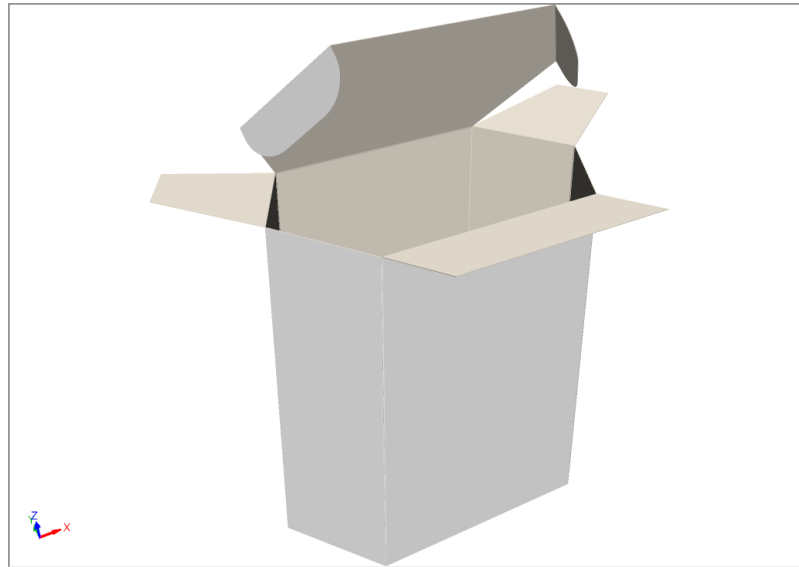
C10.10.20.20



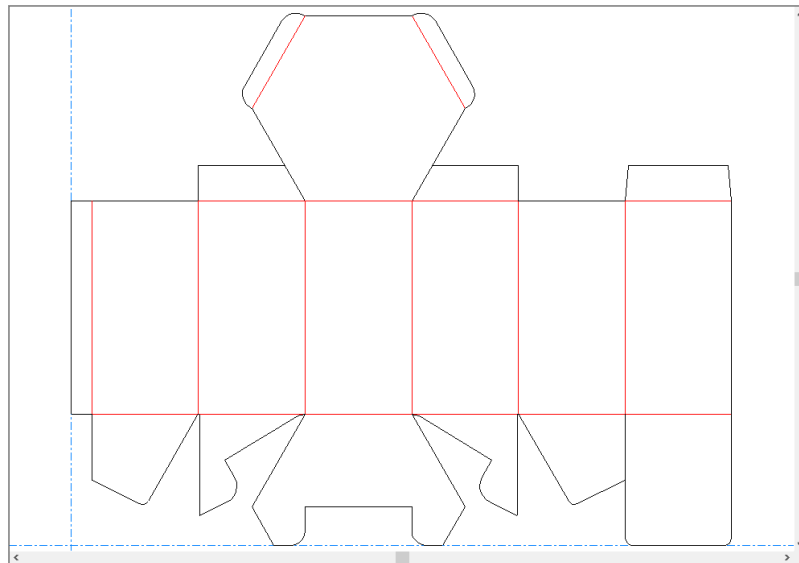


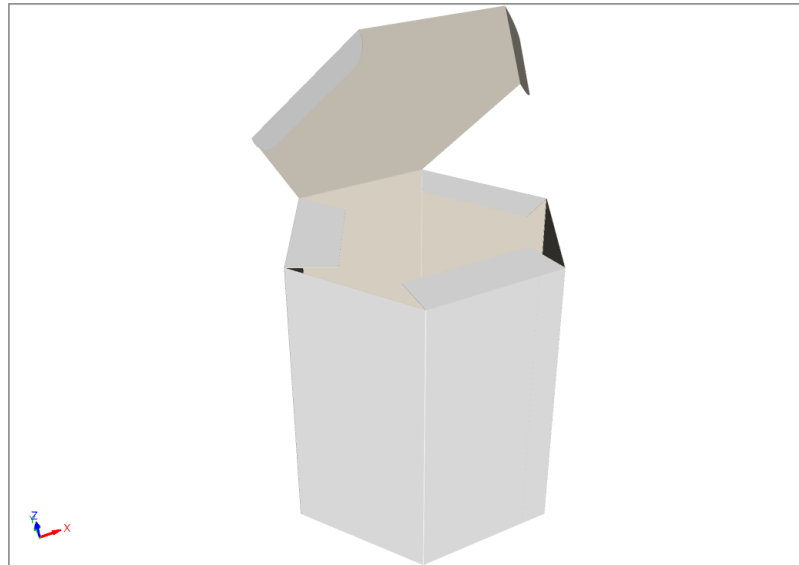
C10.40.20.20



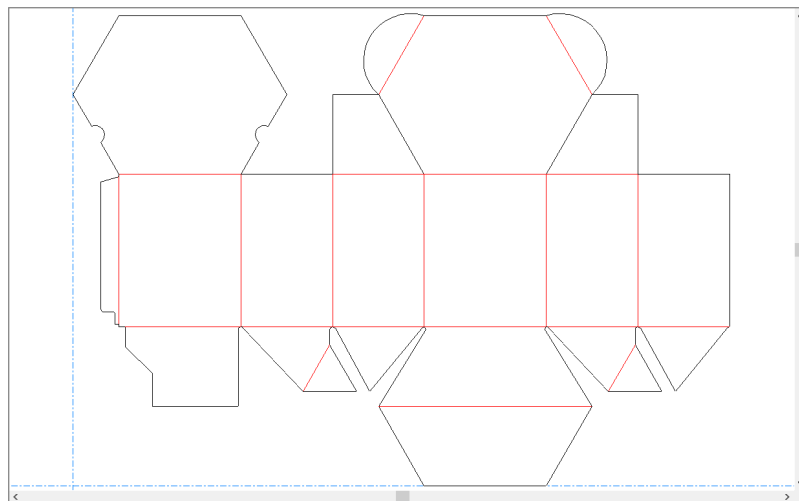


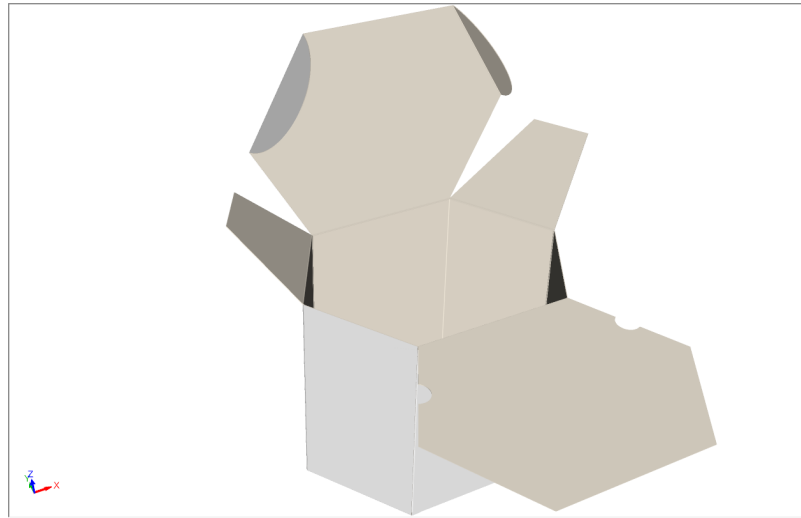
C10.40.55.20



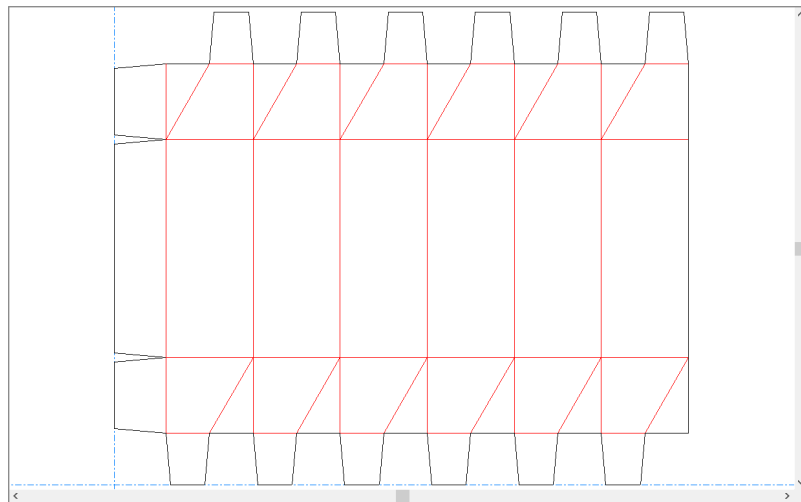


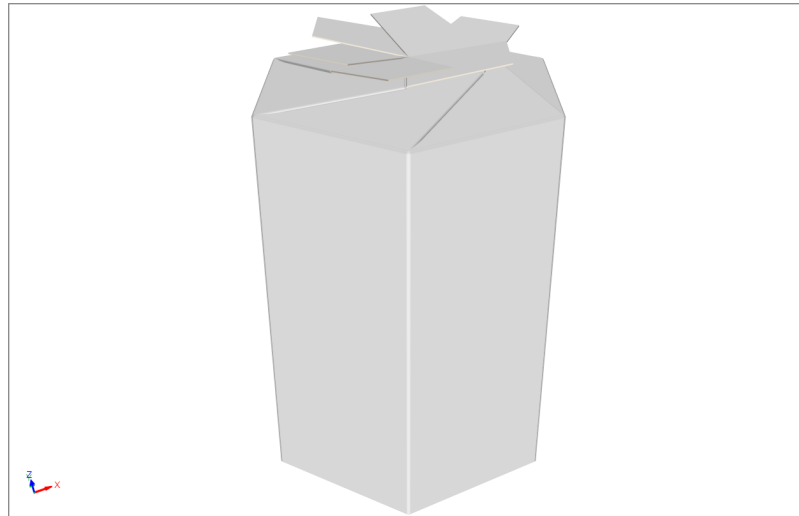
C10.40.60.20



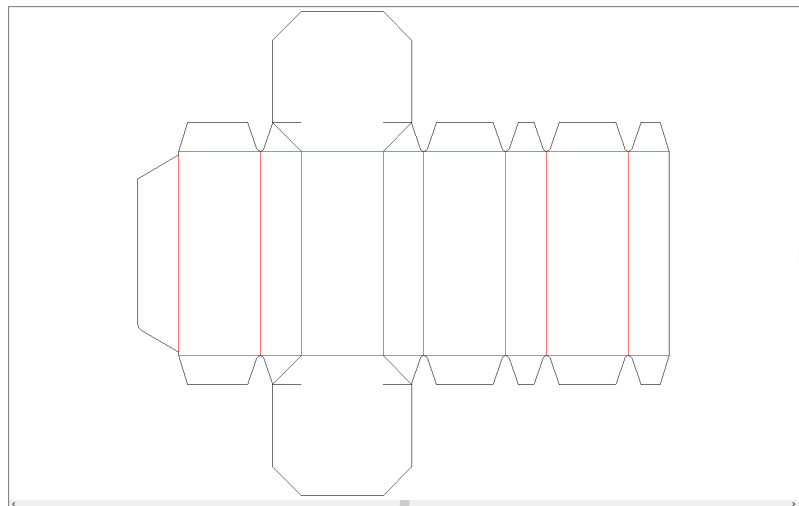


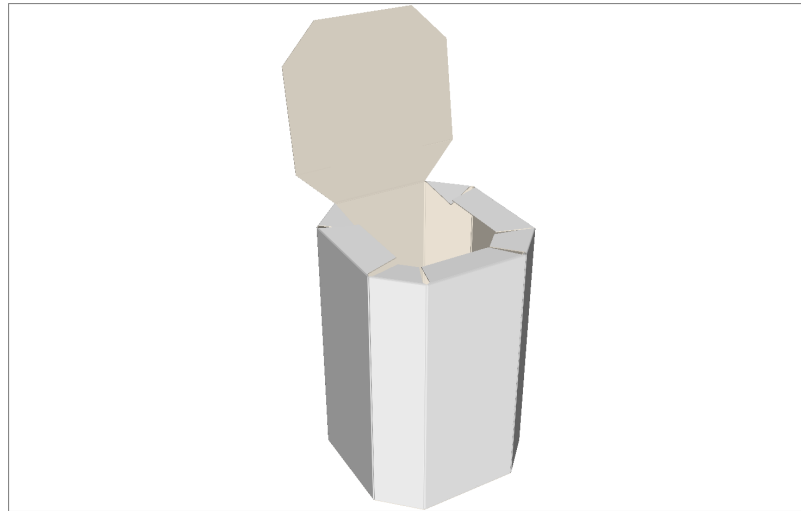
C10.40.90.90



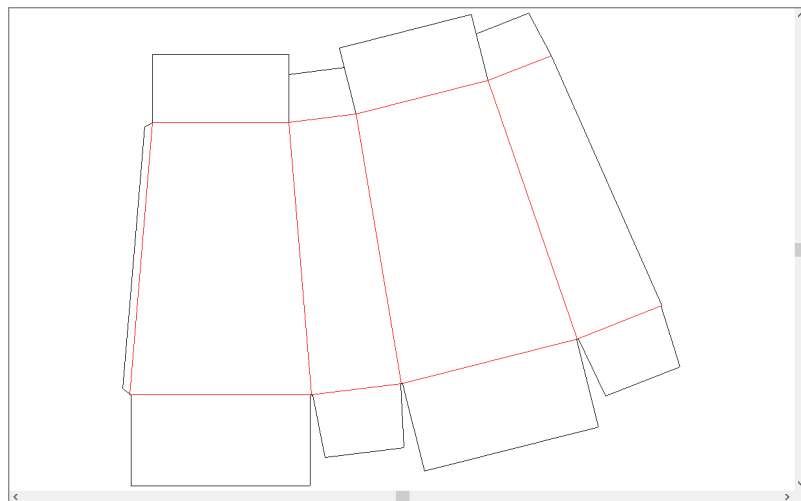


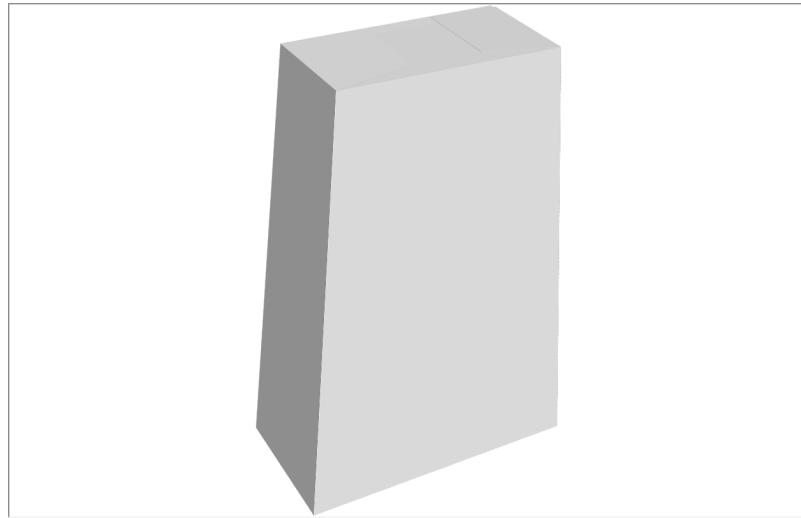
C10.50.11.11



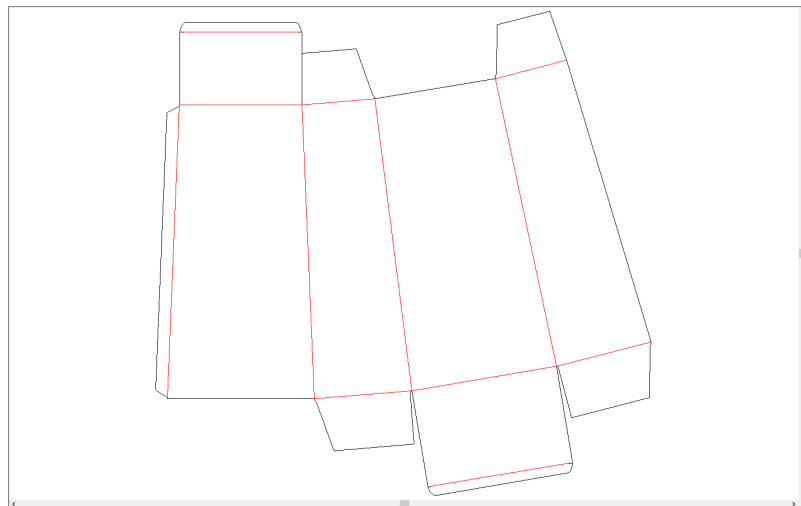


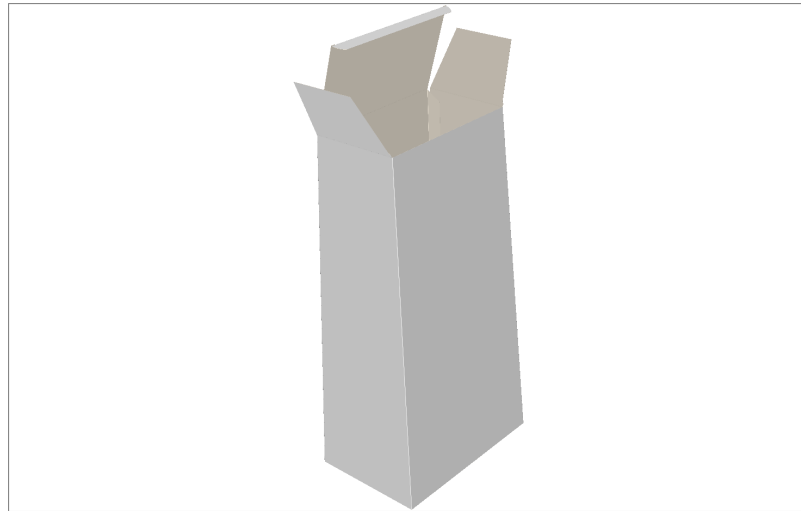
C20.20.10.10



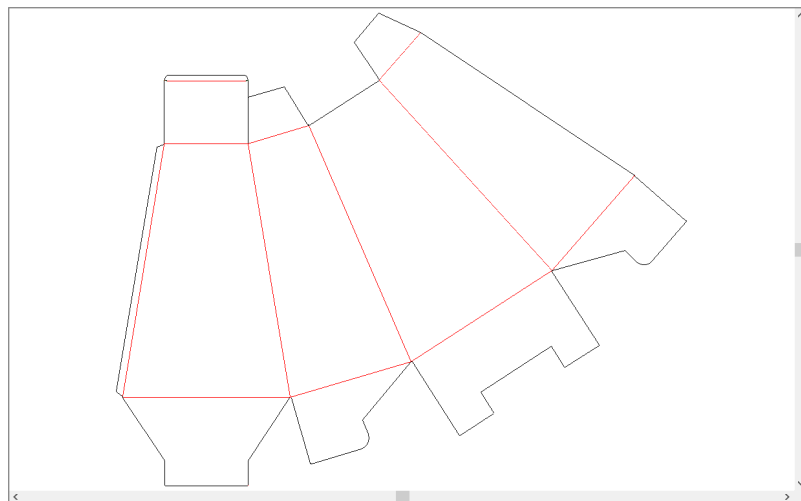


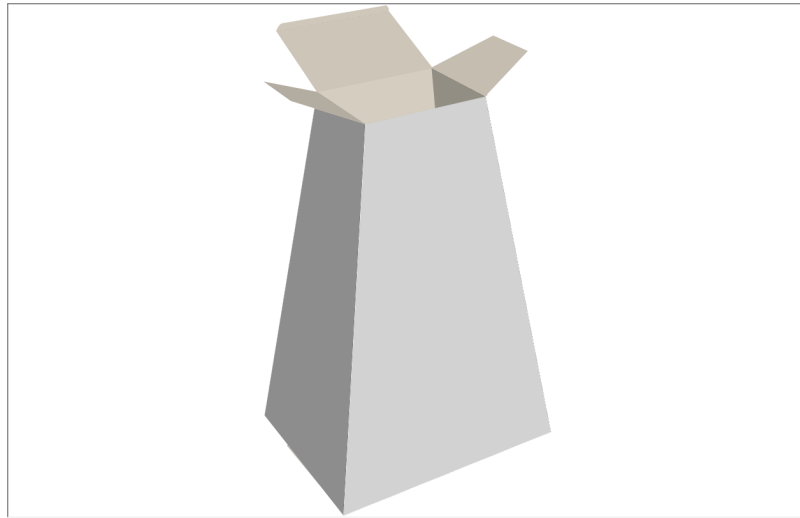
C20.20.20.20



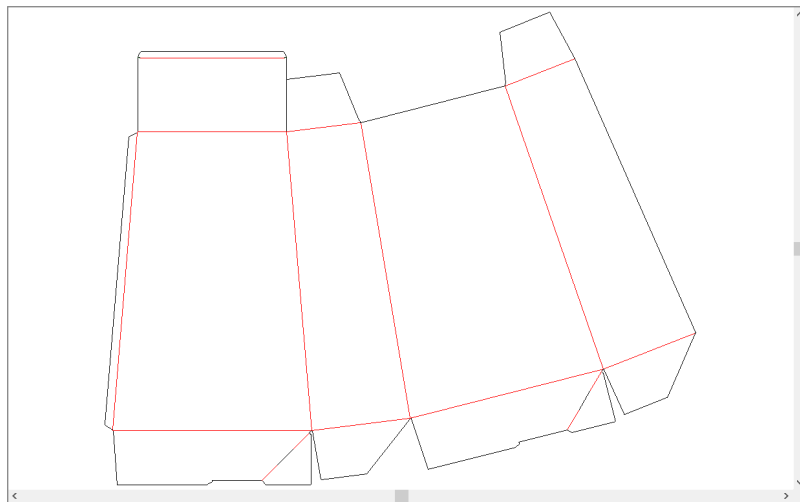


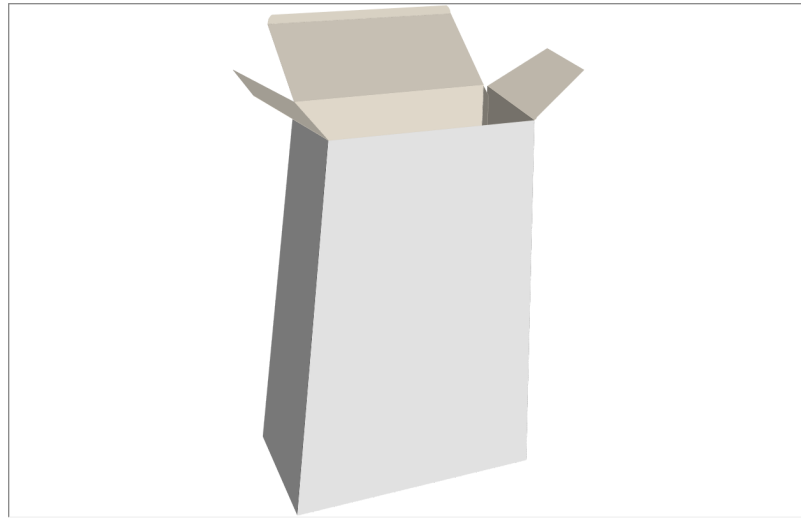
C20.20.55.20



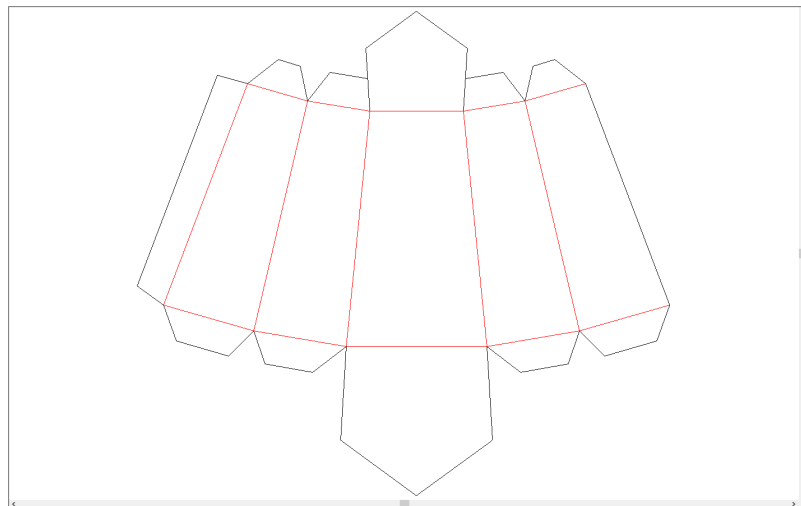


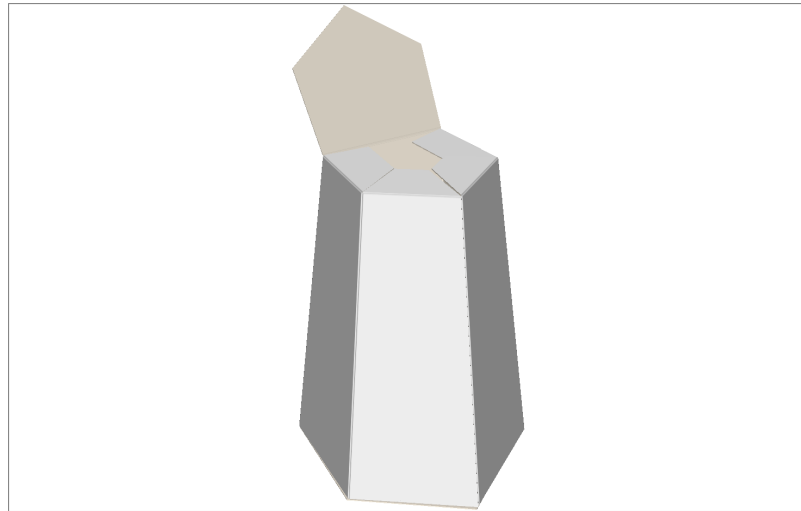
C20.20.60.20



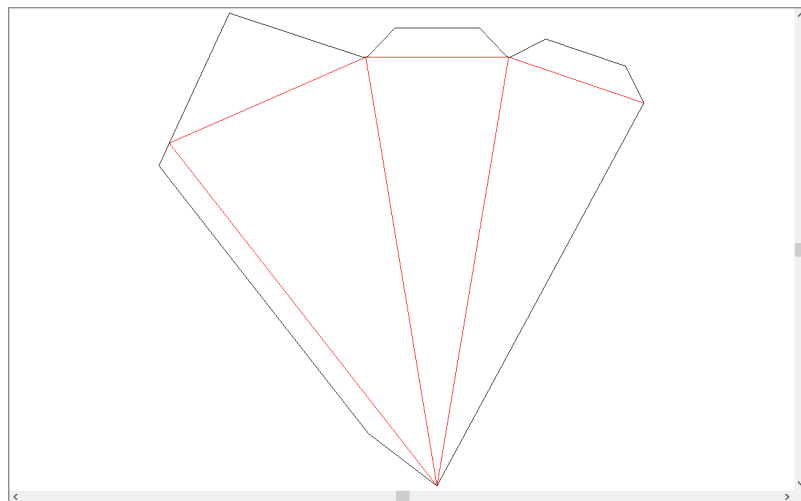


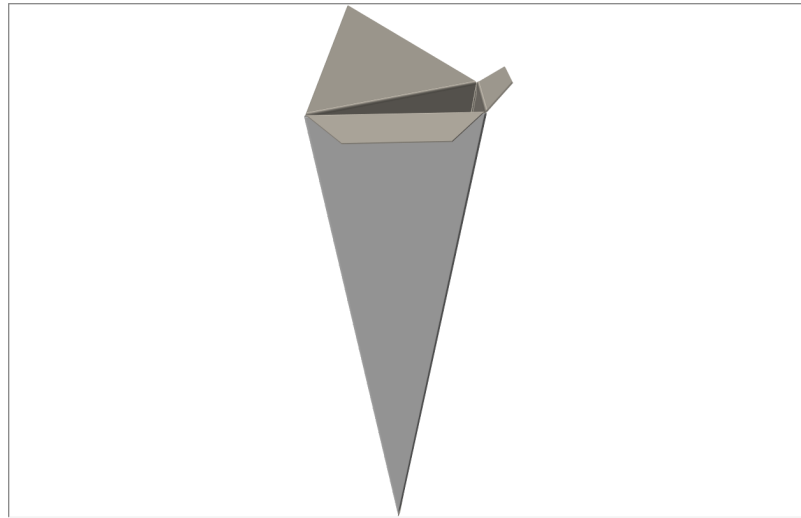
C20.30.11.11



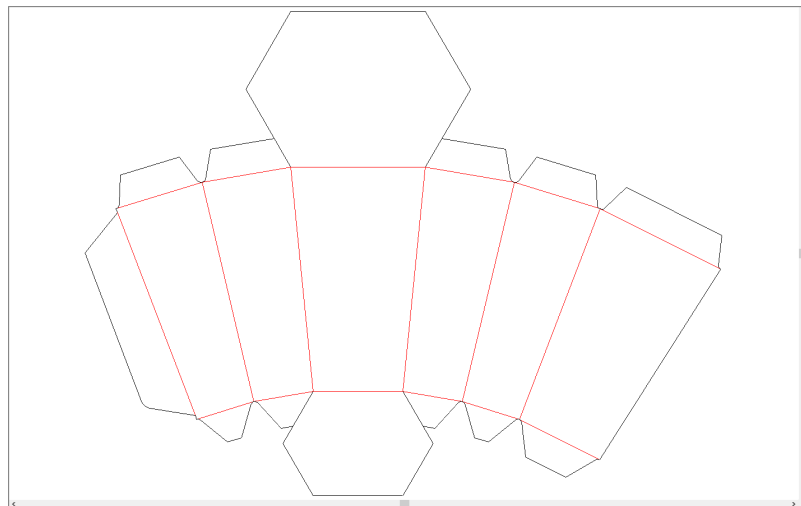


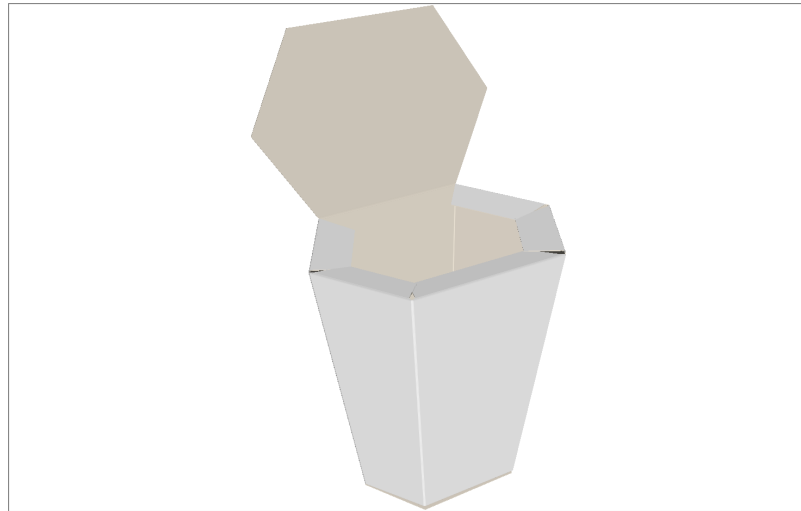
C30.10.01.11





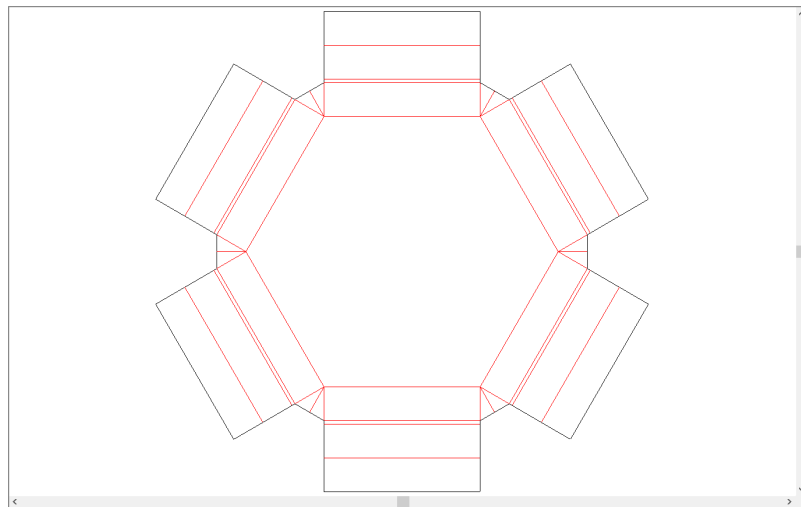
C20.40.11.11

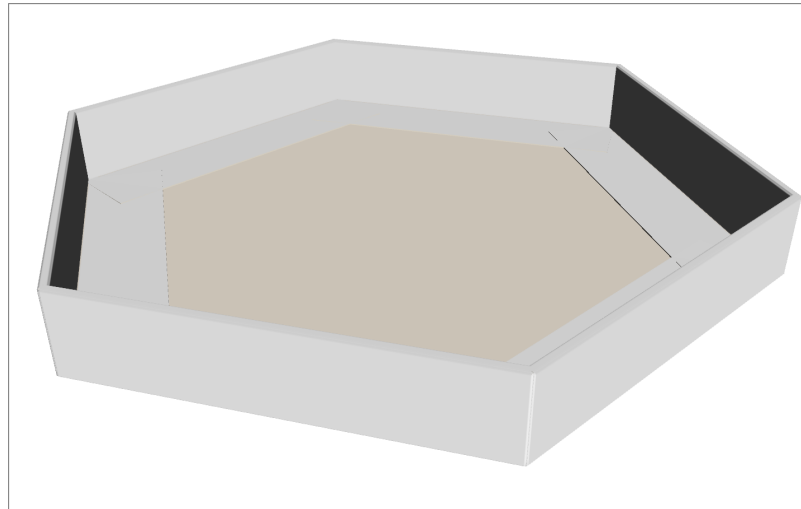




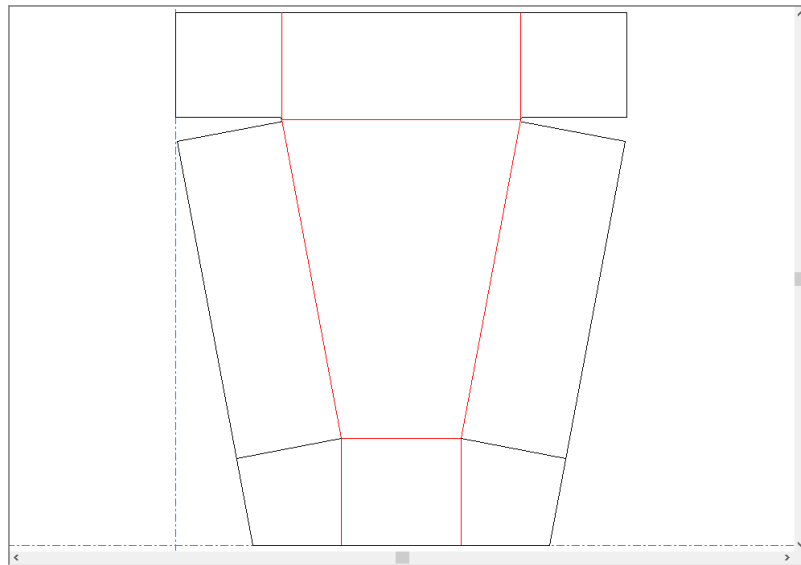
D Series

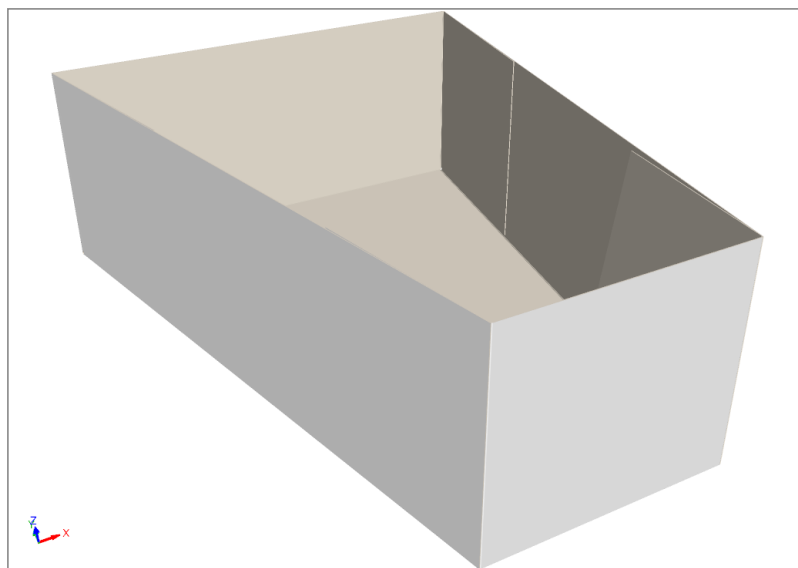
D10.41.04.00



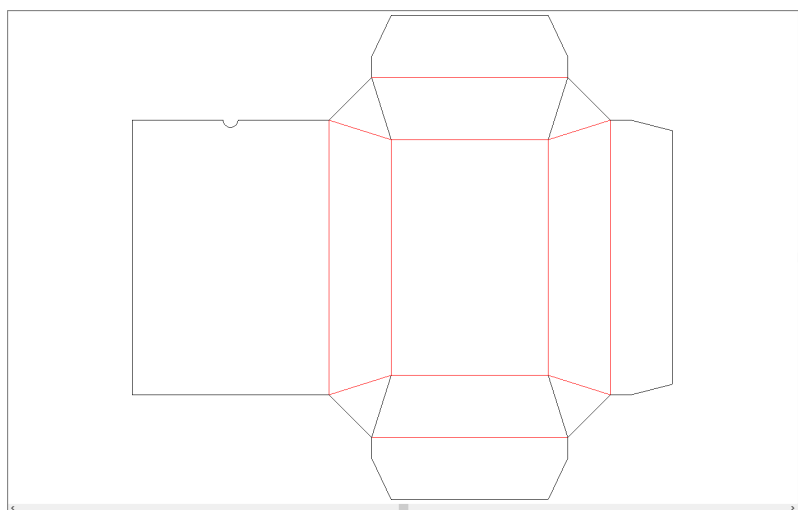


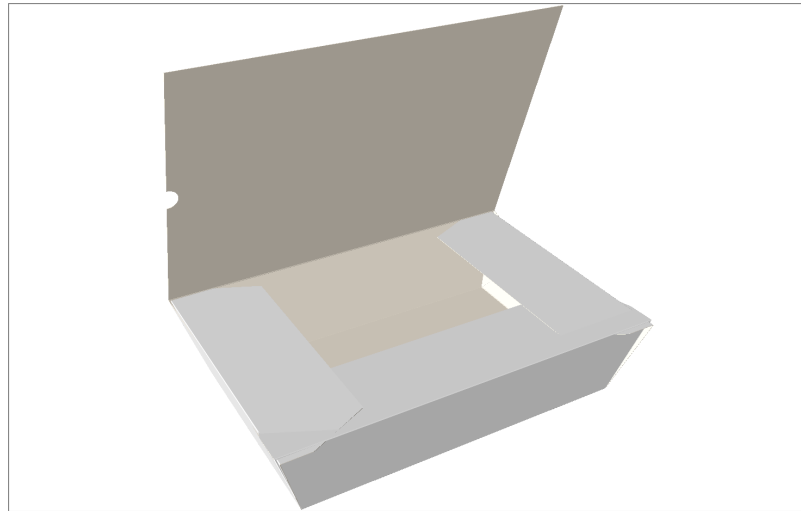
D20.20.20.00



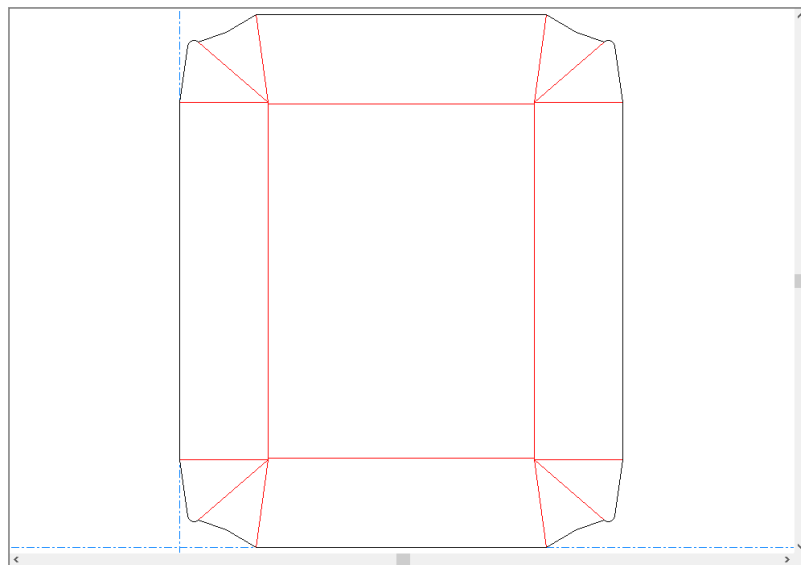


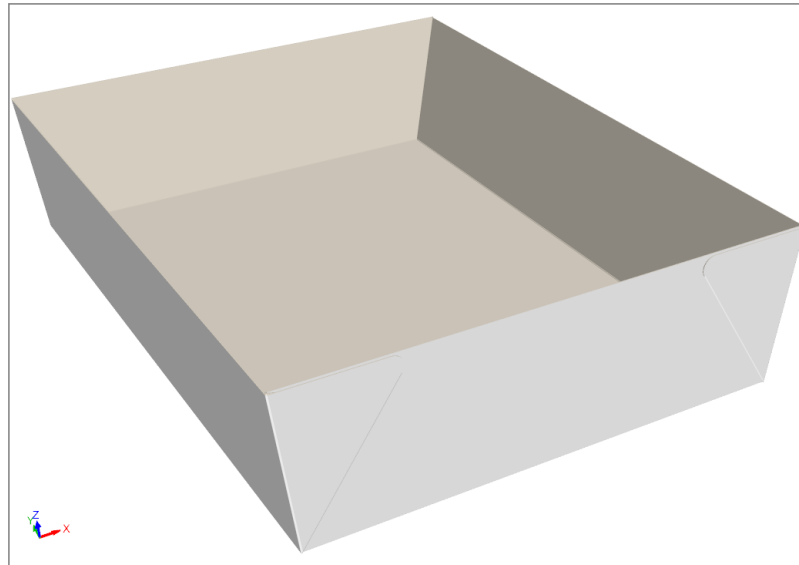
D20.20.20.50



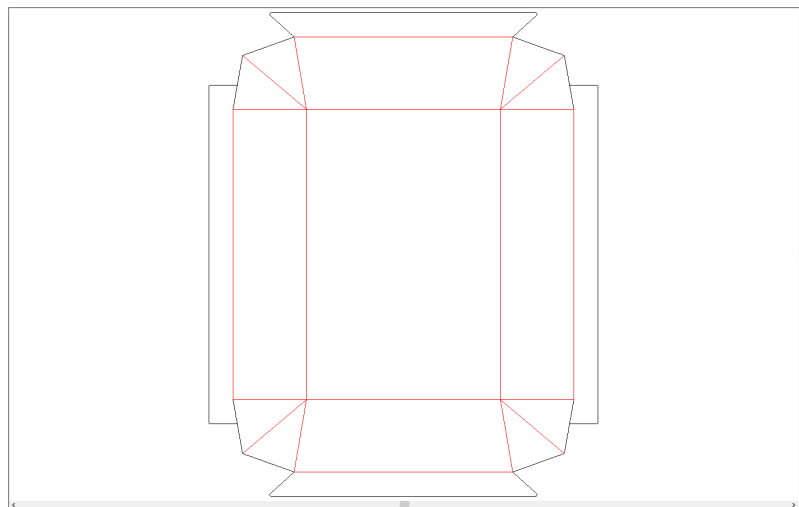


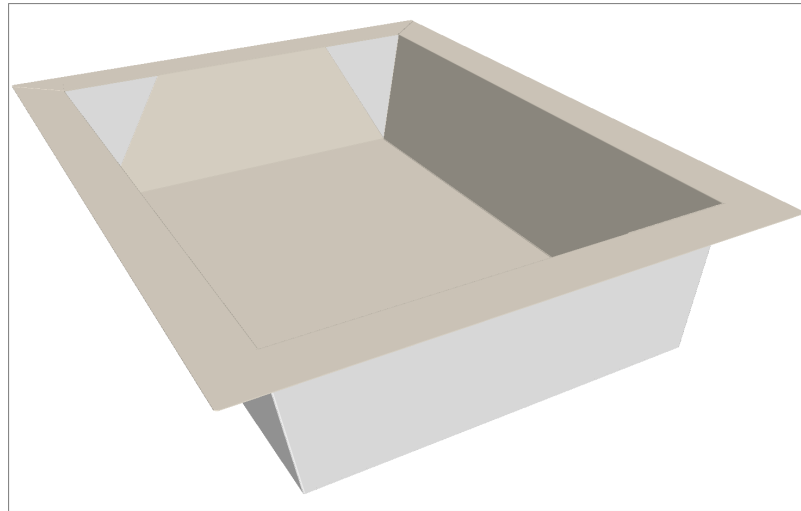
D20.20.21.00



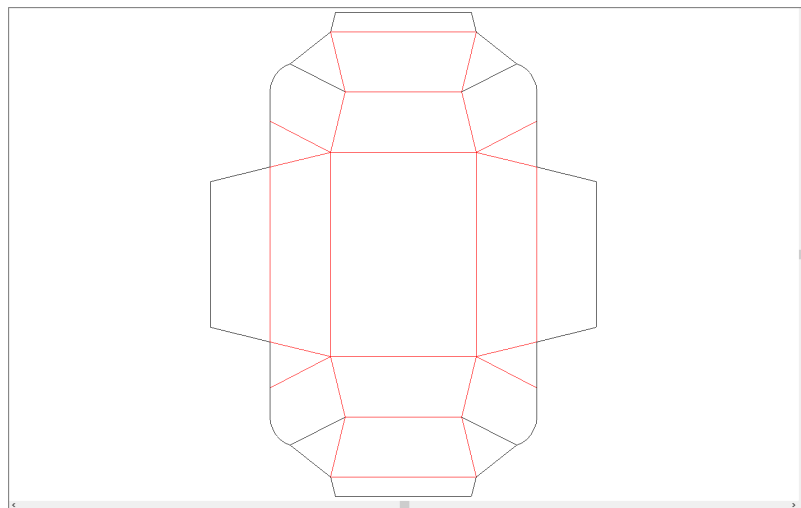


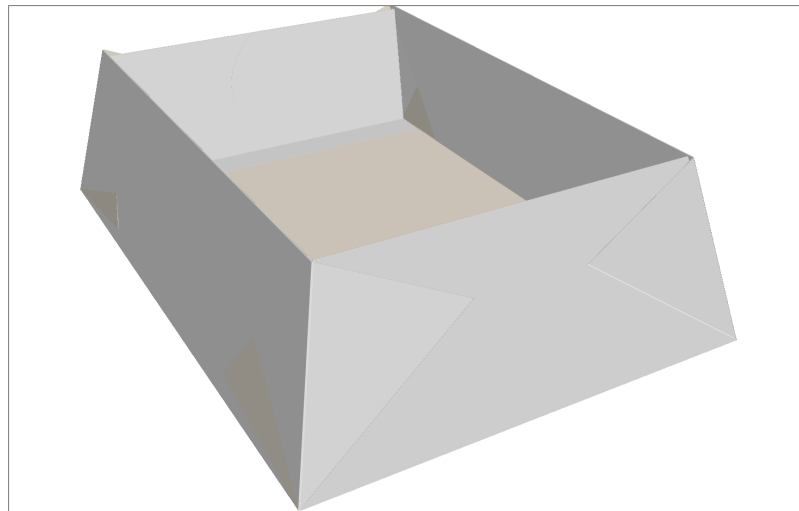
D20.20.21.62



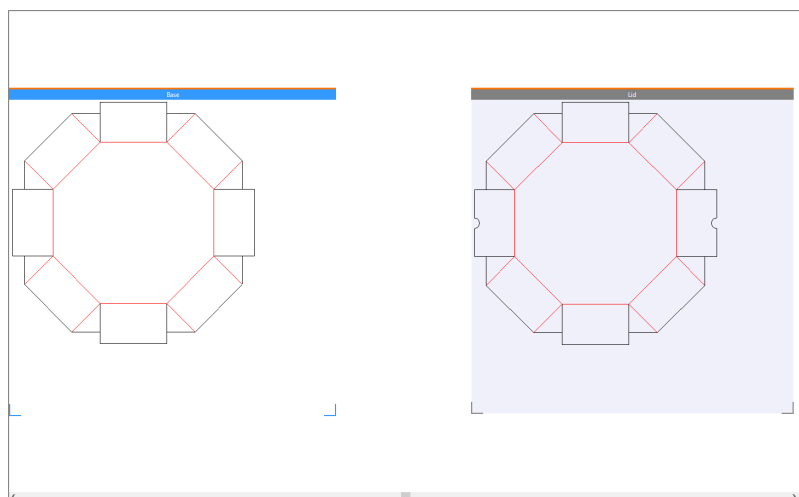


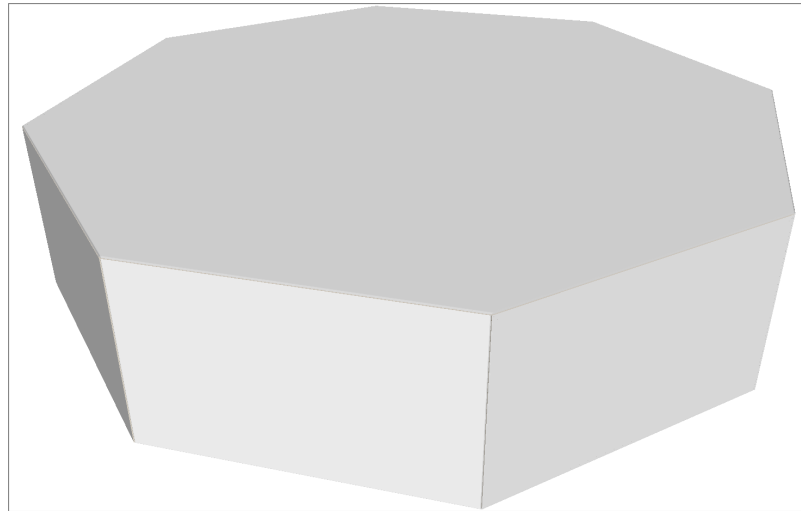
D20.21.02.00





D20.50.20.00 Canvas

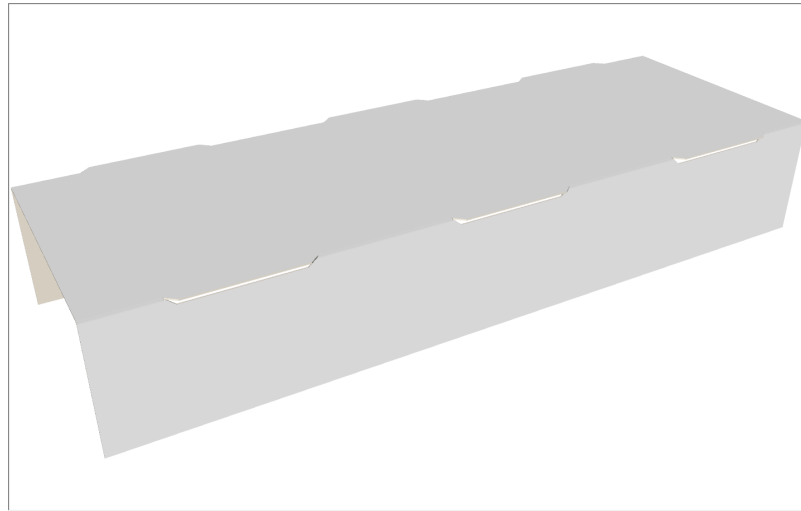




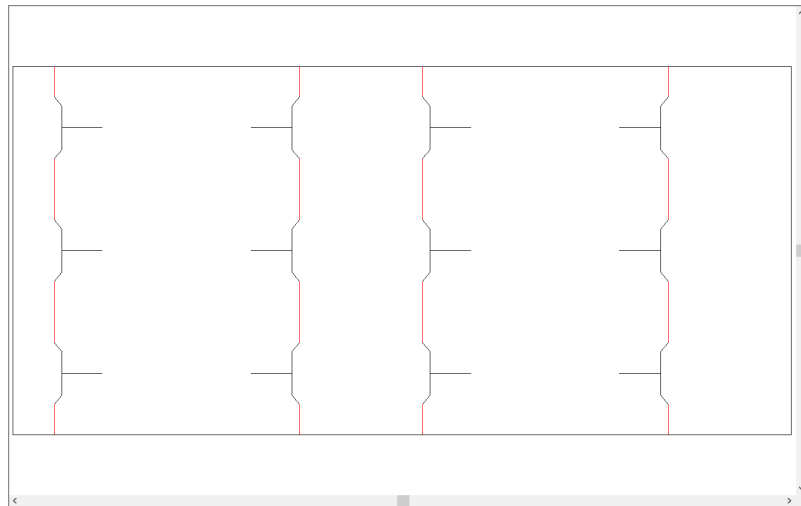
E Series

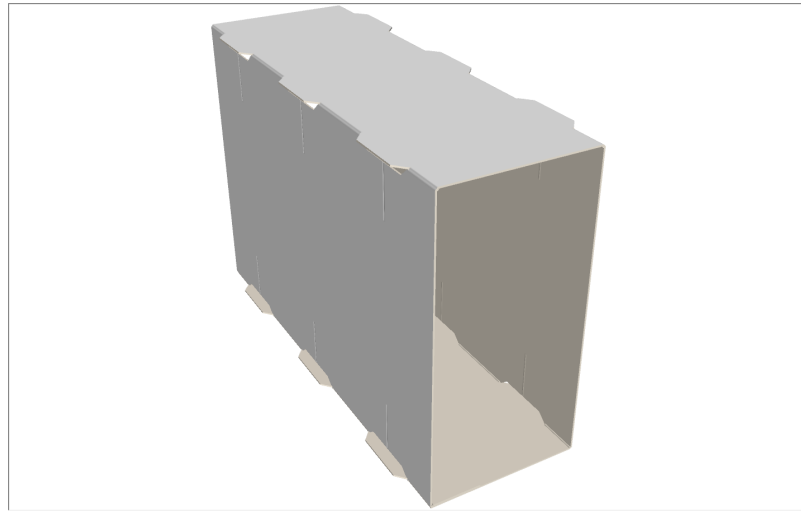
E10.11.00.00



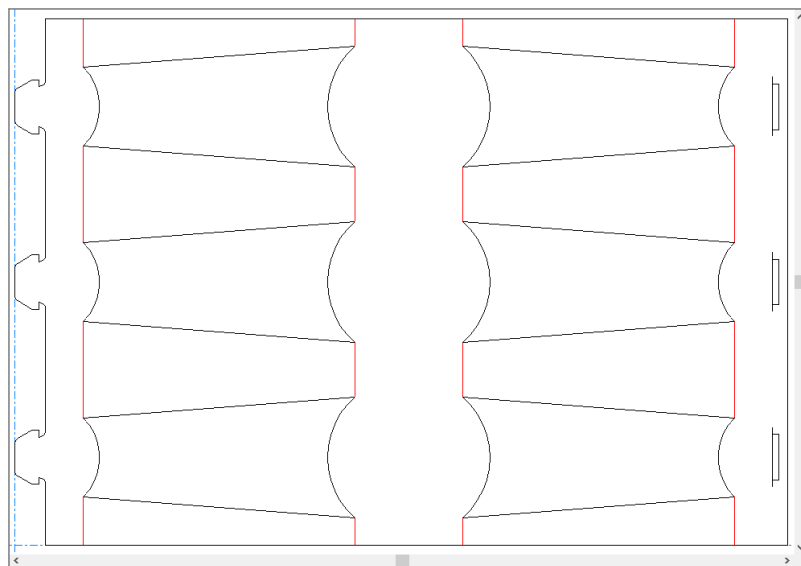


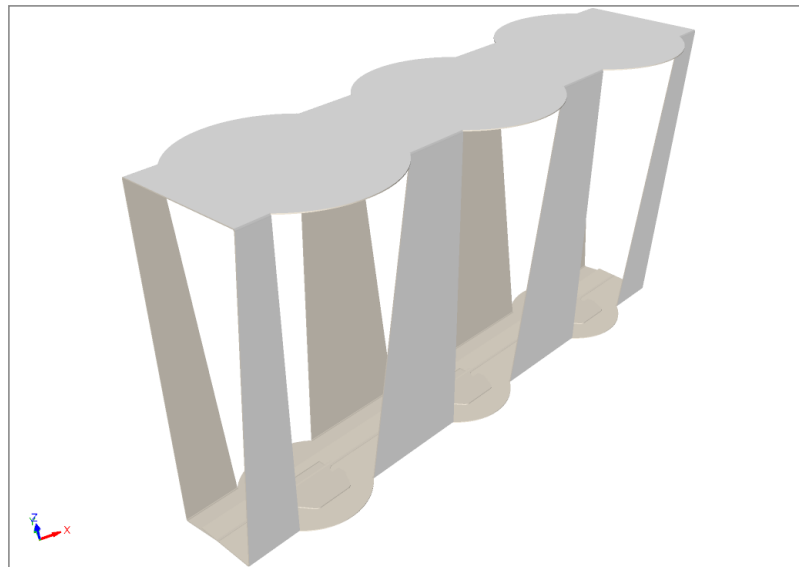
E10.20.00.00



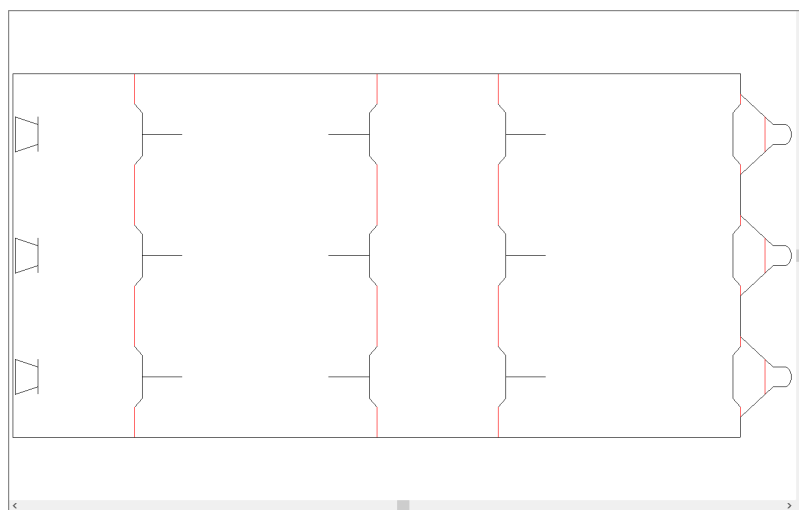


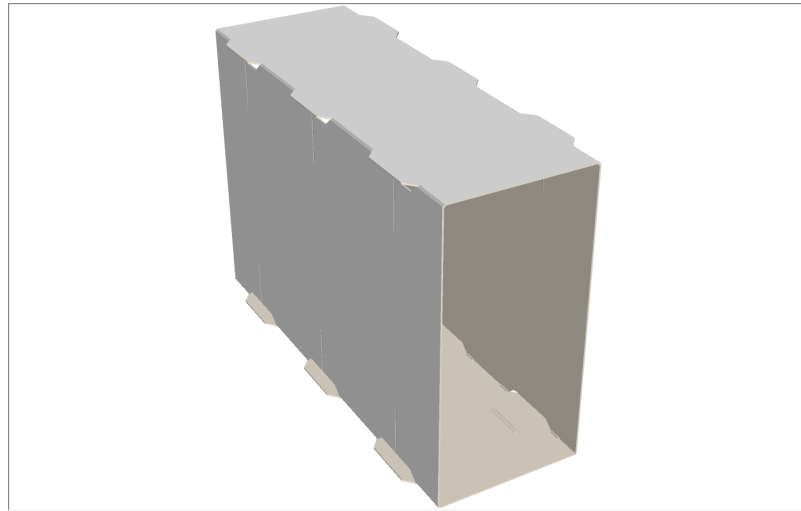
E10.21.00.00



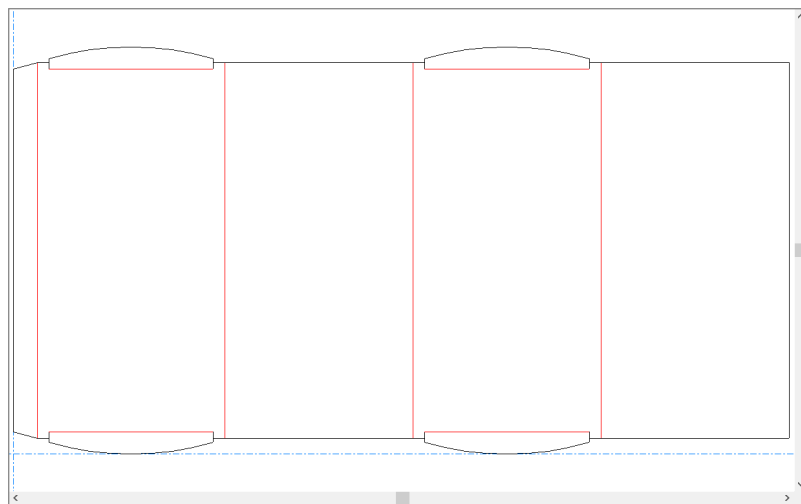


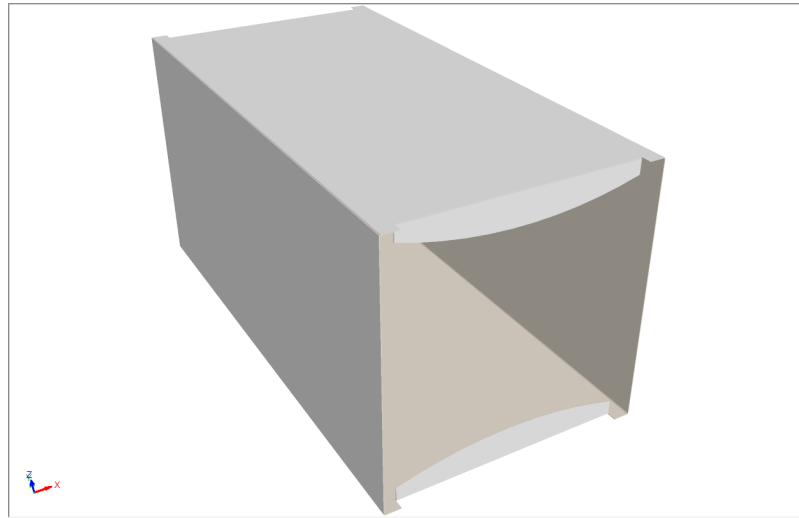
E10.30.00.00



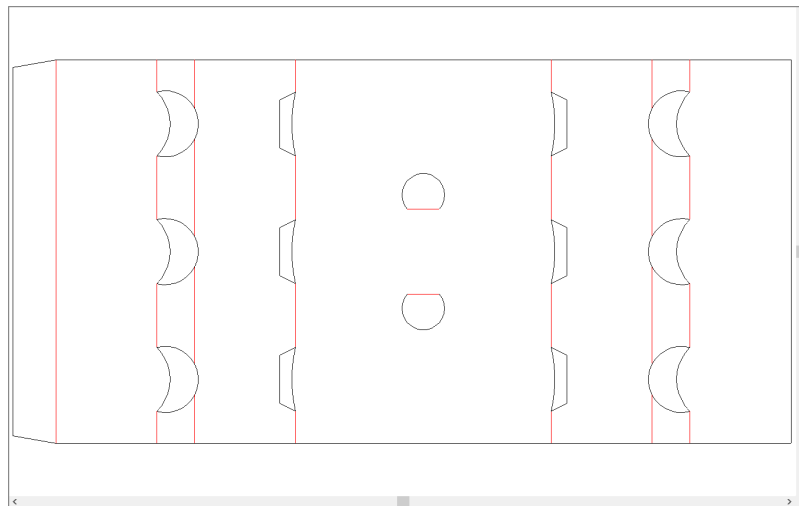


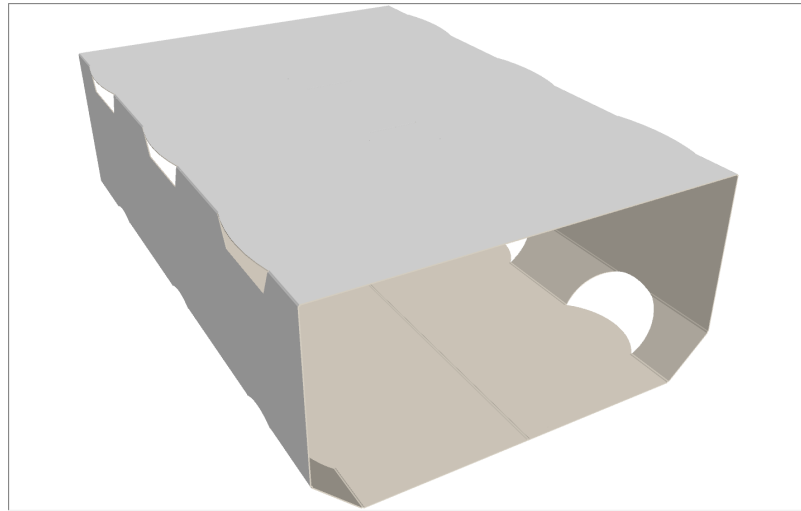
E11.20.00.00



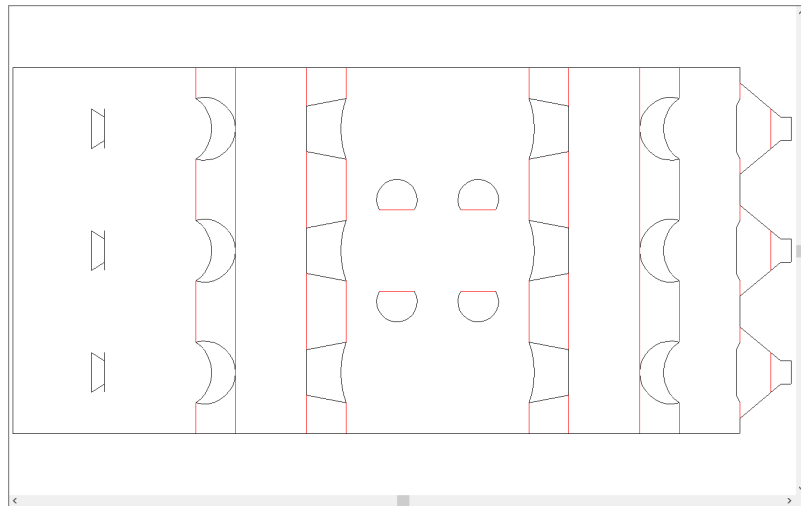


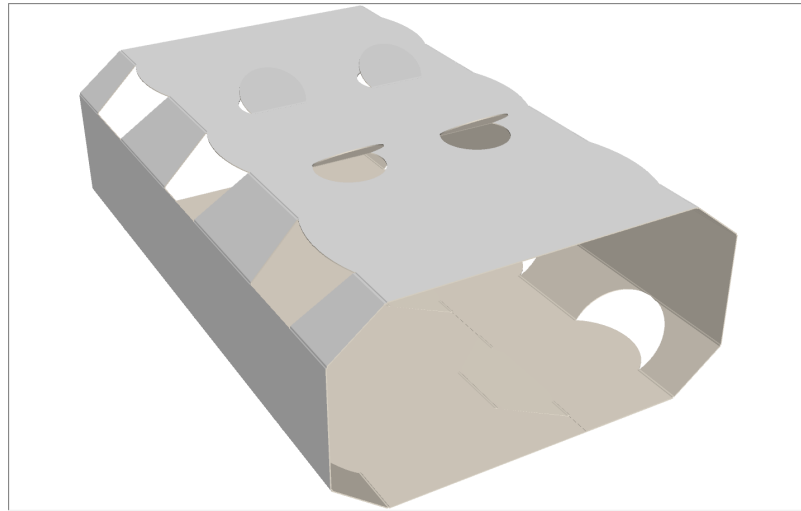
E12.20.00.00



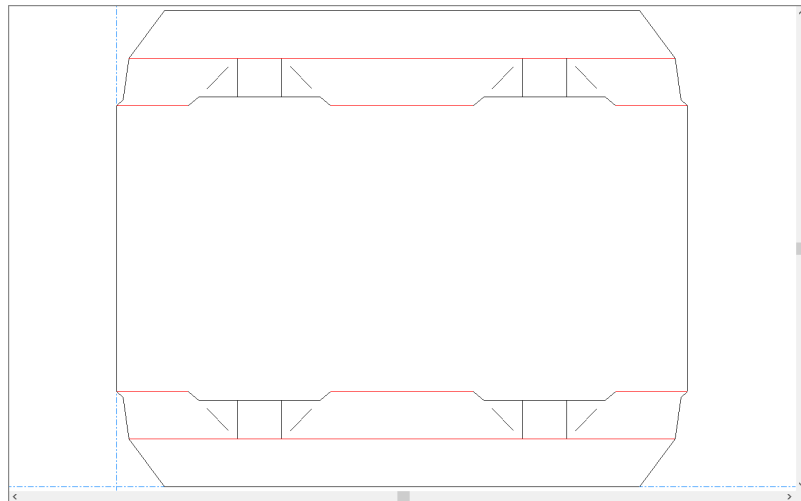


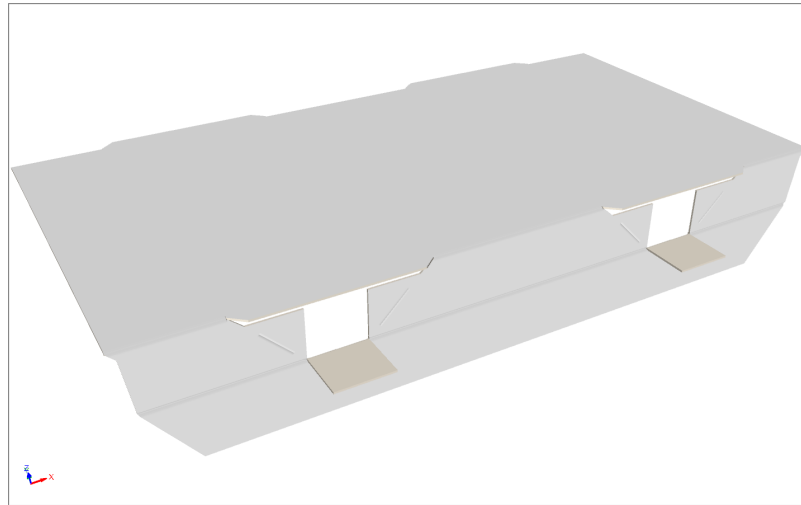
E12.30.00.00



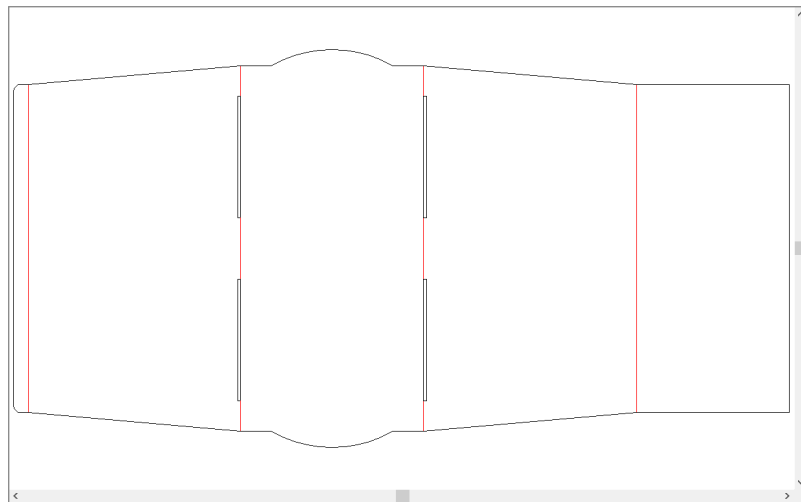


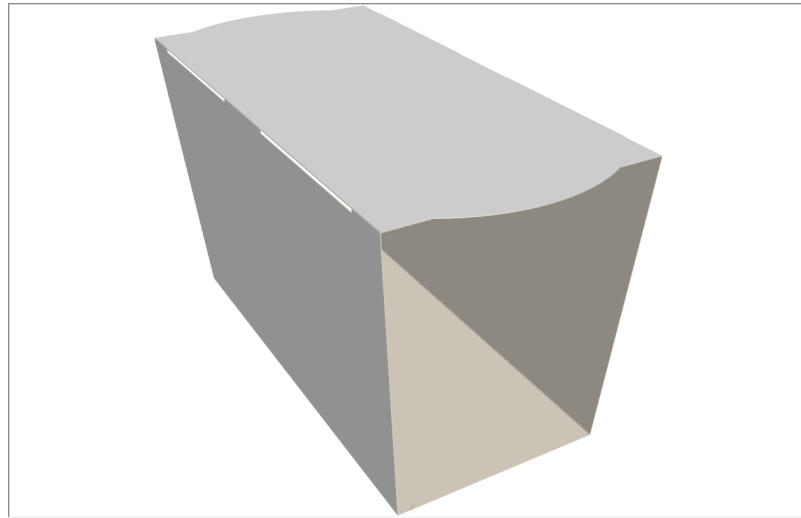
E14.11.00.00



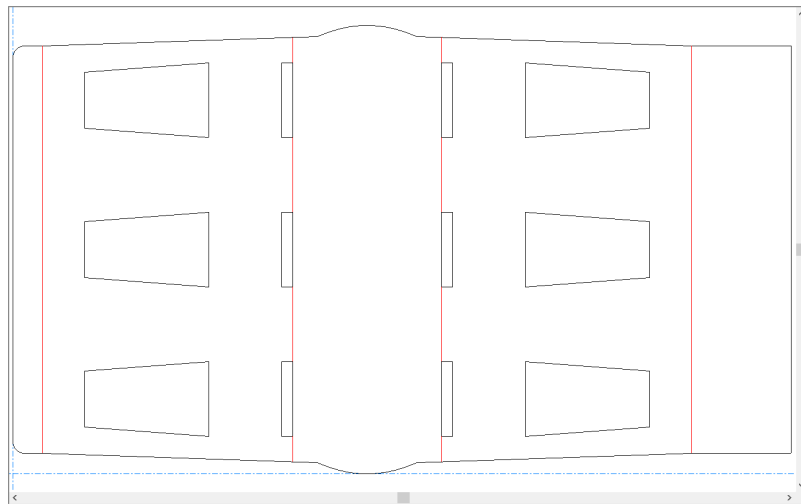


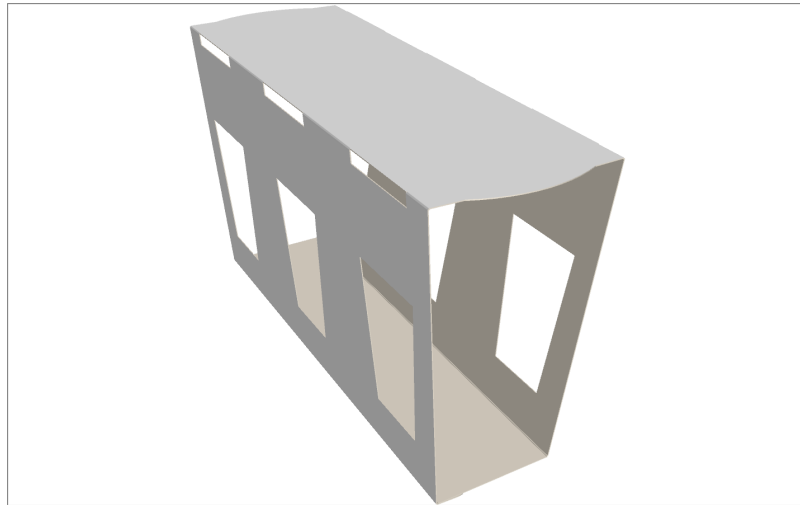
E14.20.00.00



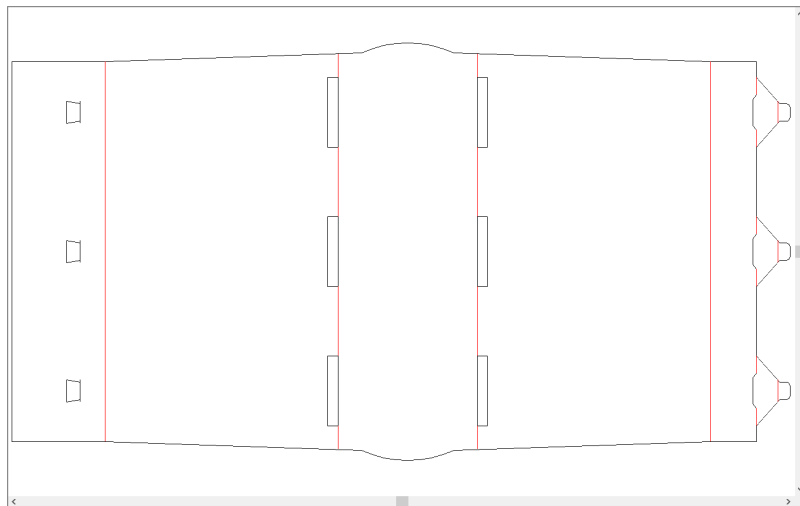


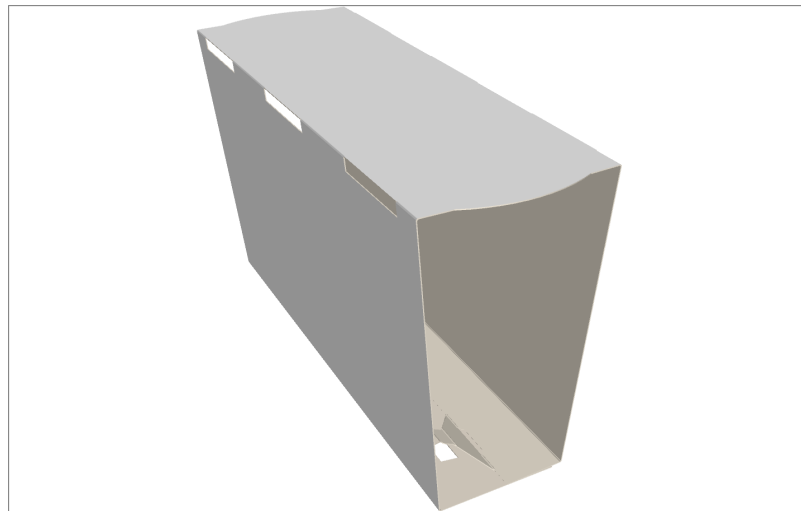
E14.21.00.00



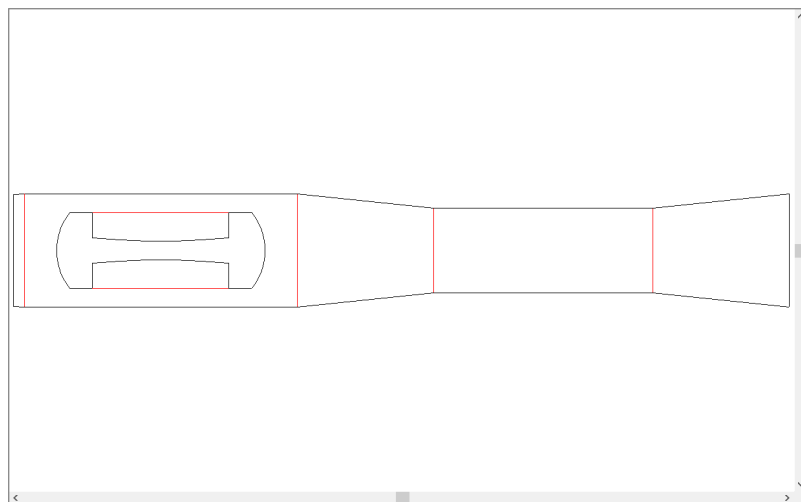


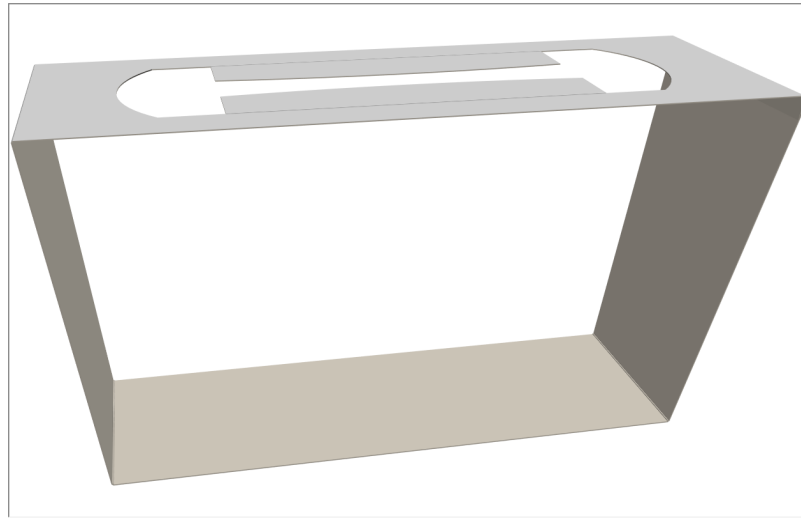
E14.30.00.00



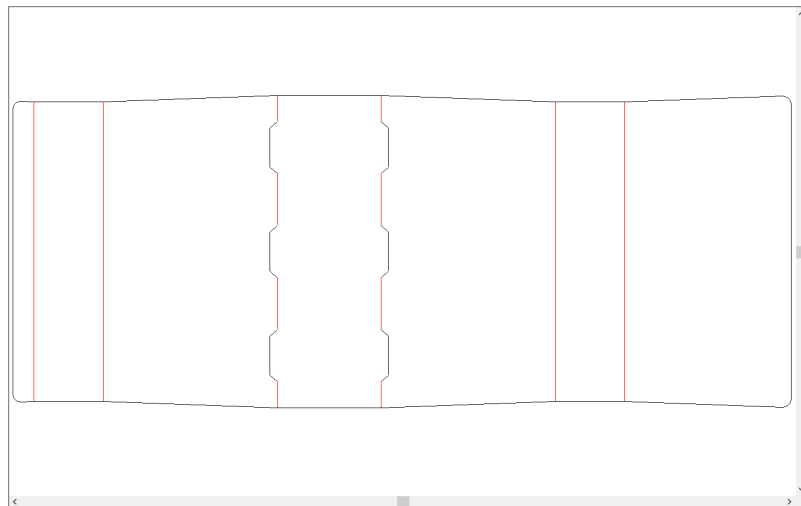


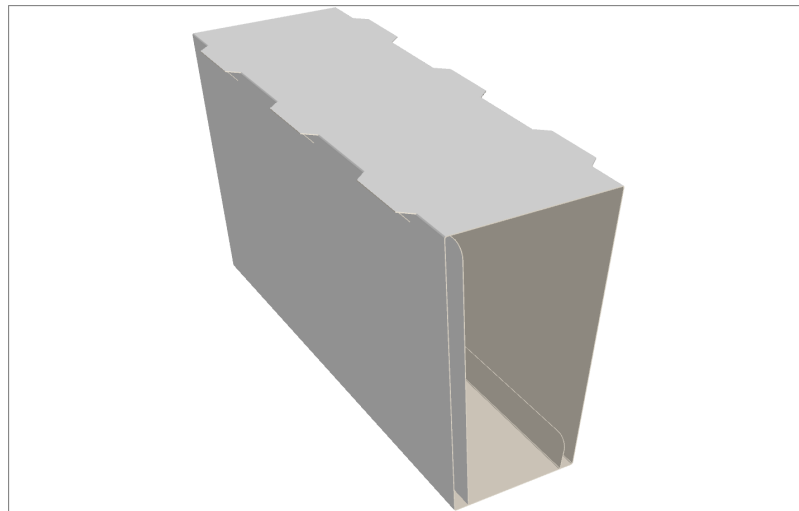
E15.20.00.00



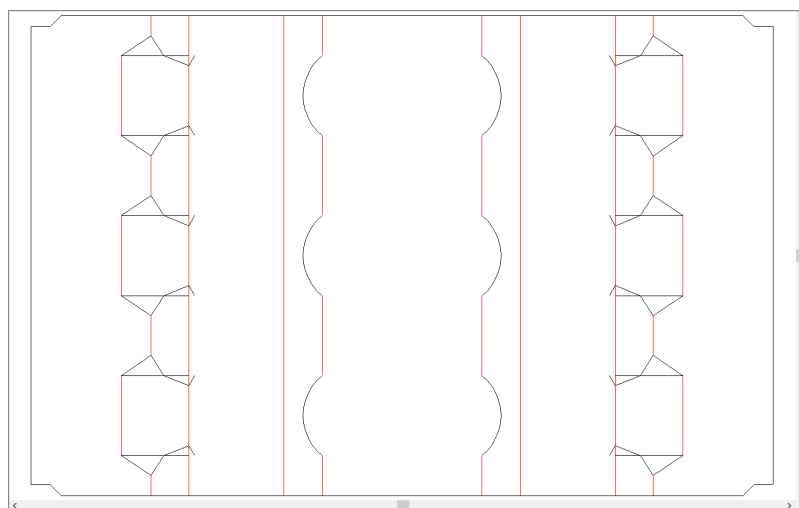


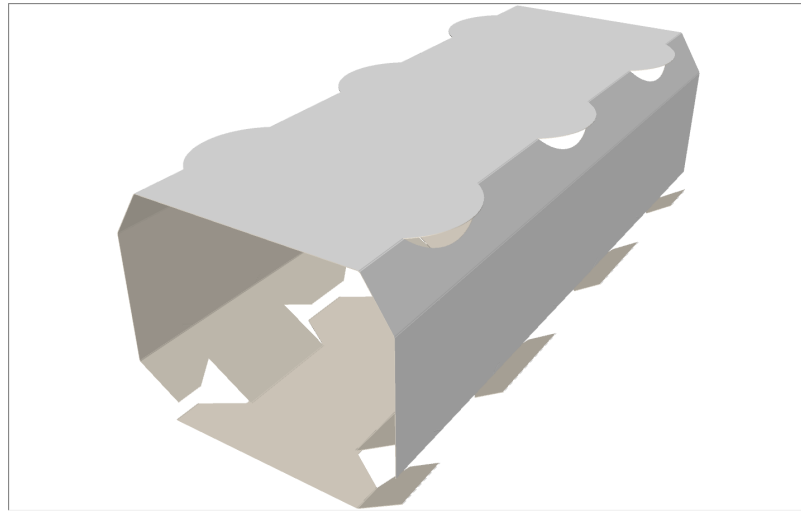
E16.20.00.00



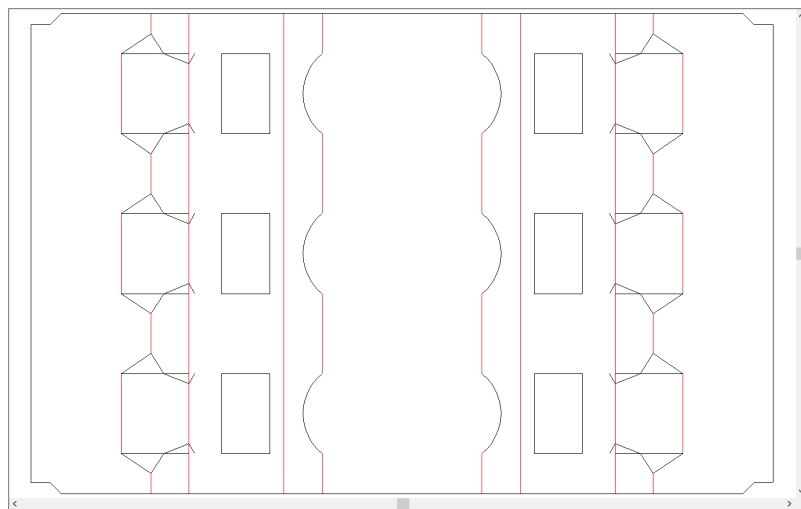


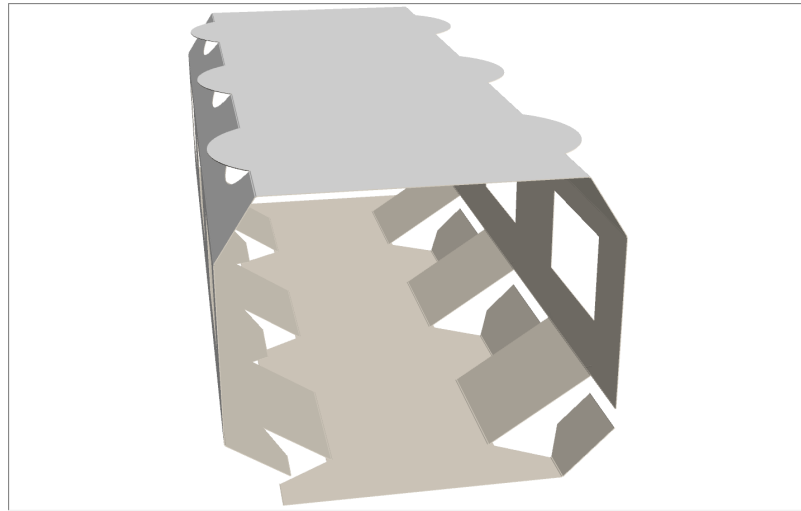
E20.20.00.00



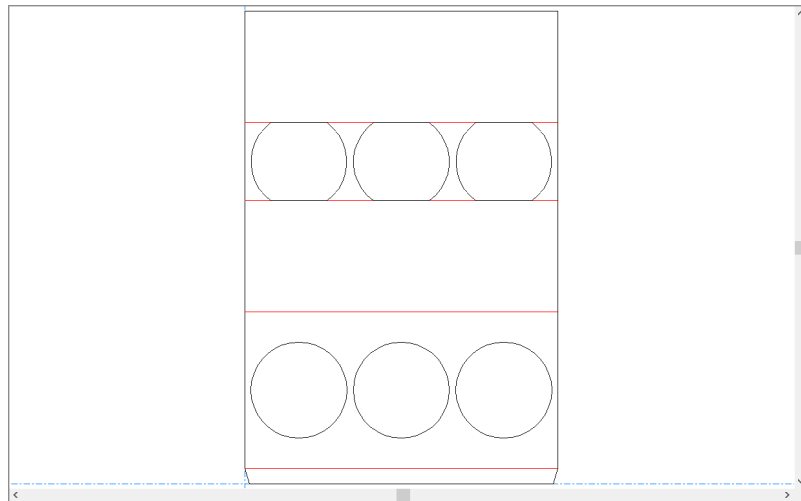


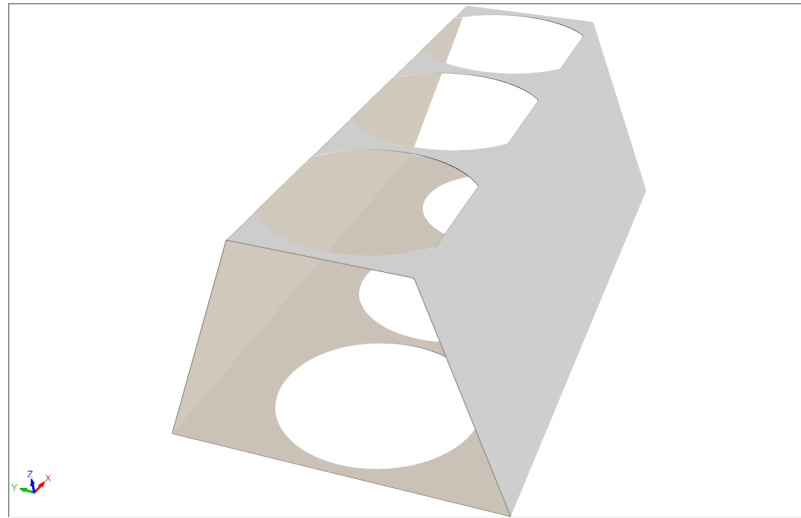
E20.21.00.00



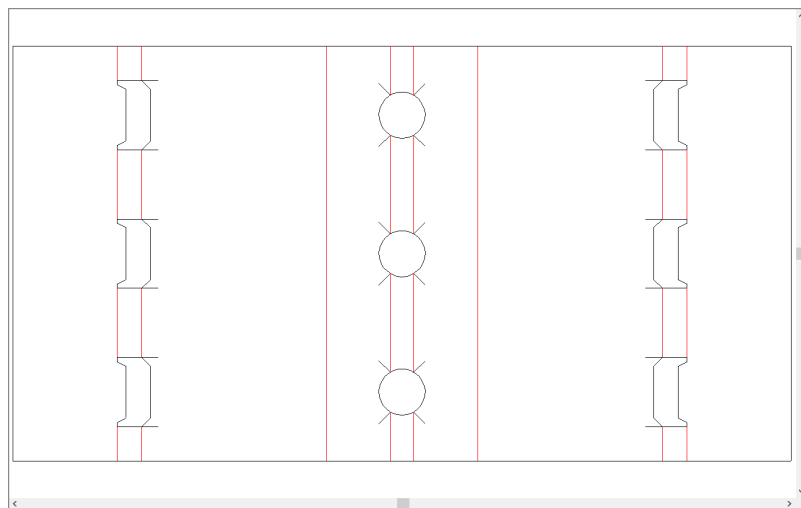


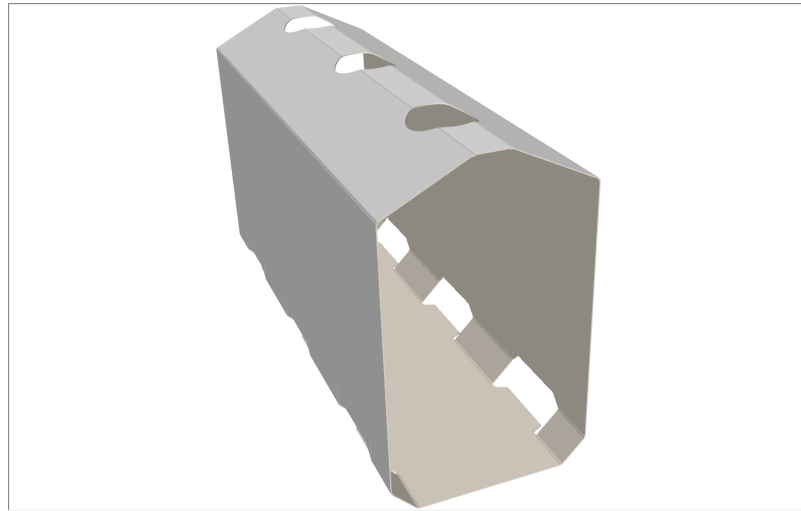
E21.10.00.00



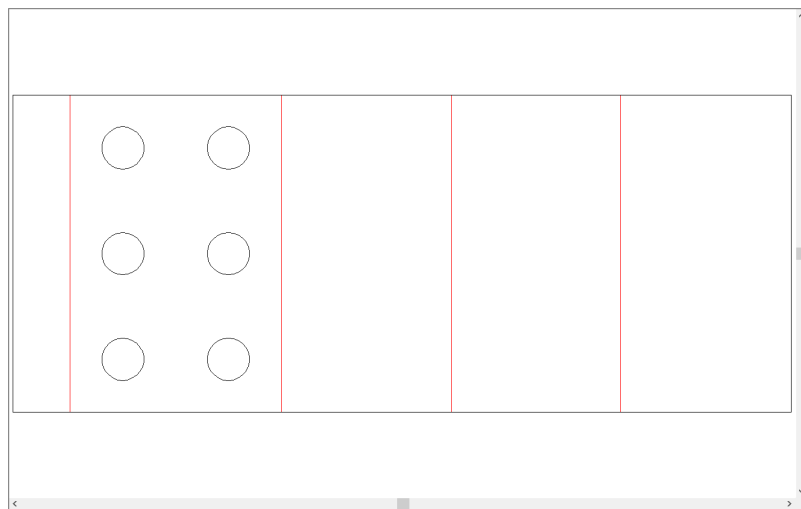


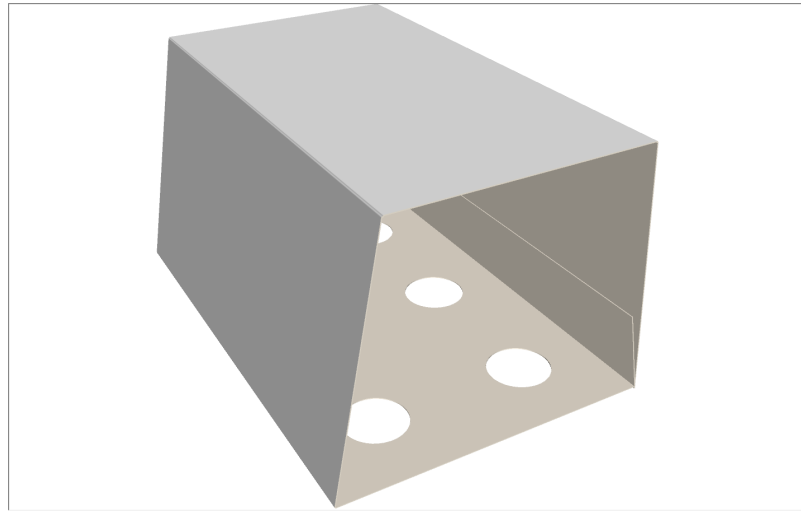
E21.20.00.00



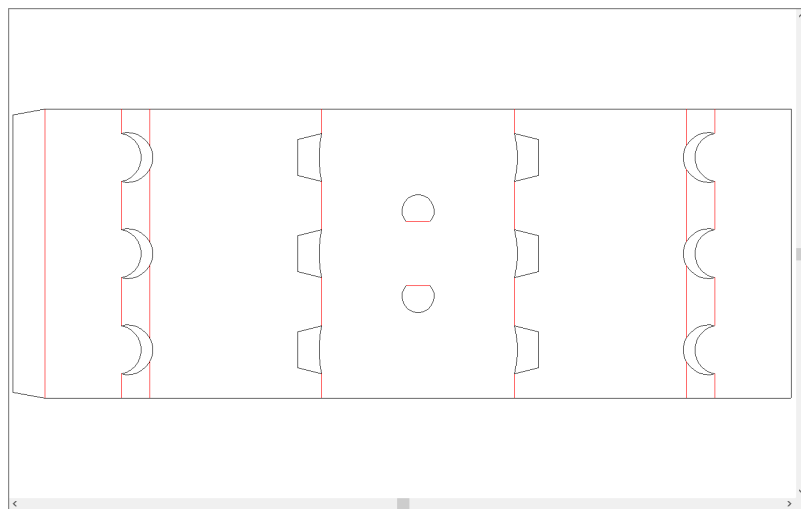


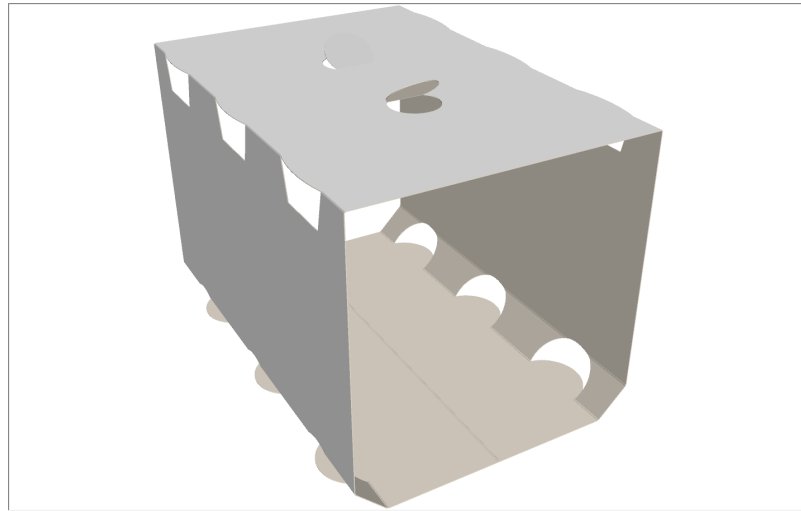
E22.10.00.00



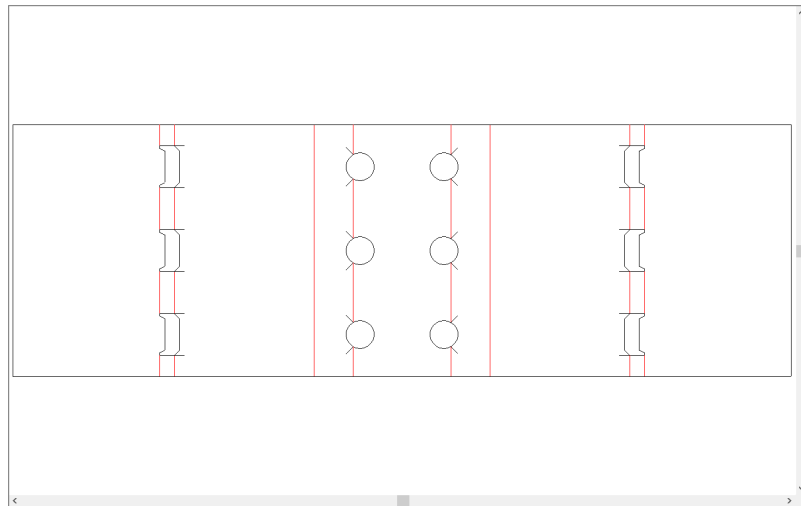


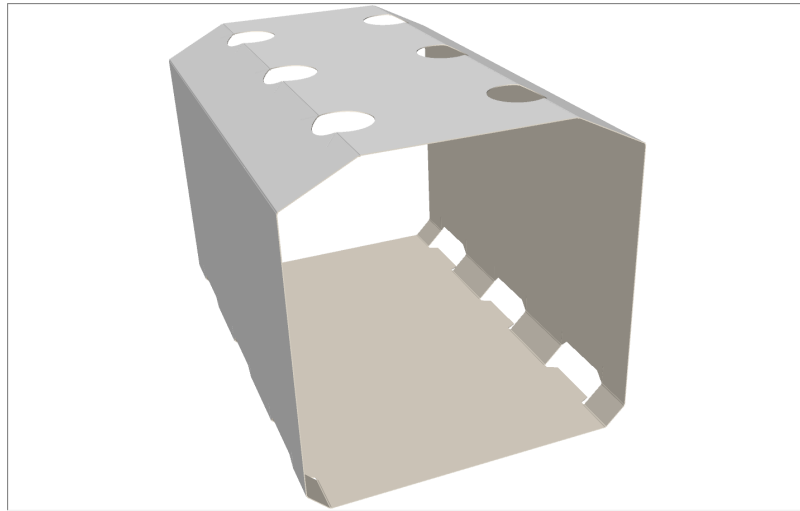
E22.20.00.00



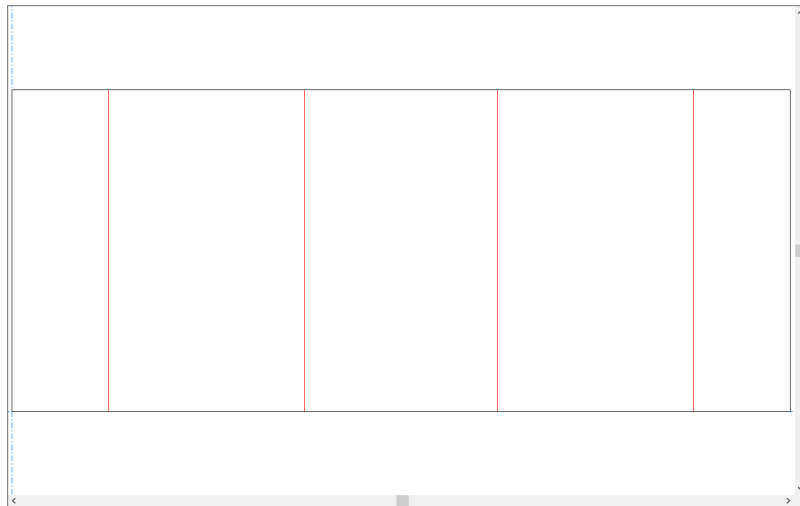


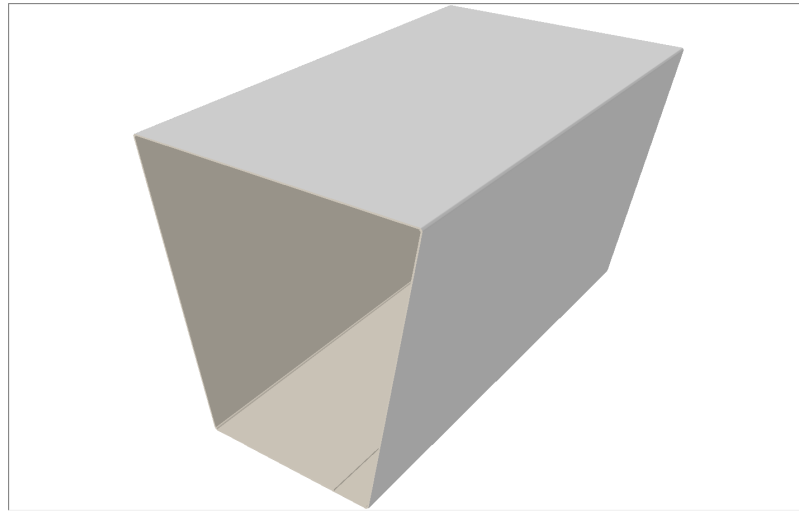
E23.20.00.00



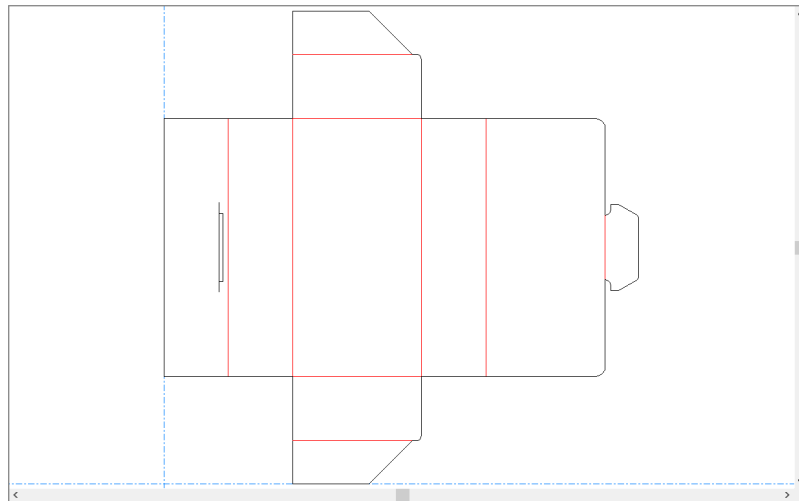


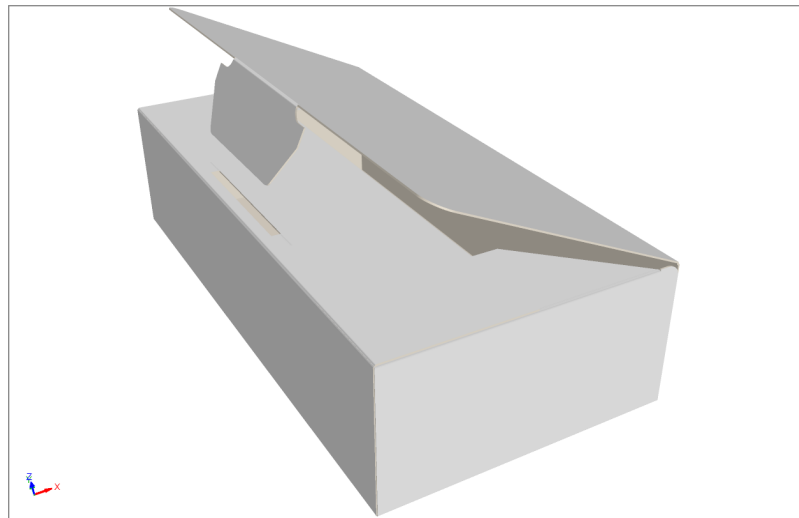
E31.20.00.00





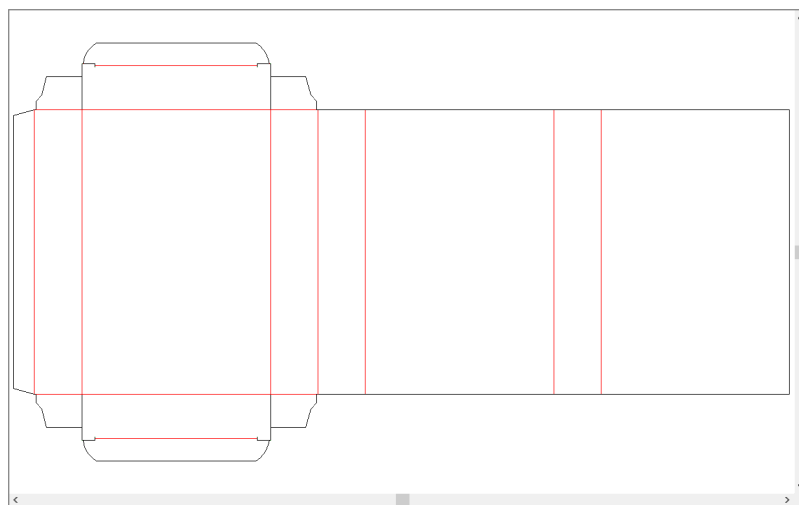
E40.82.00.00

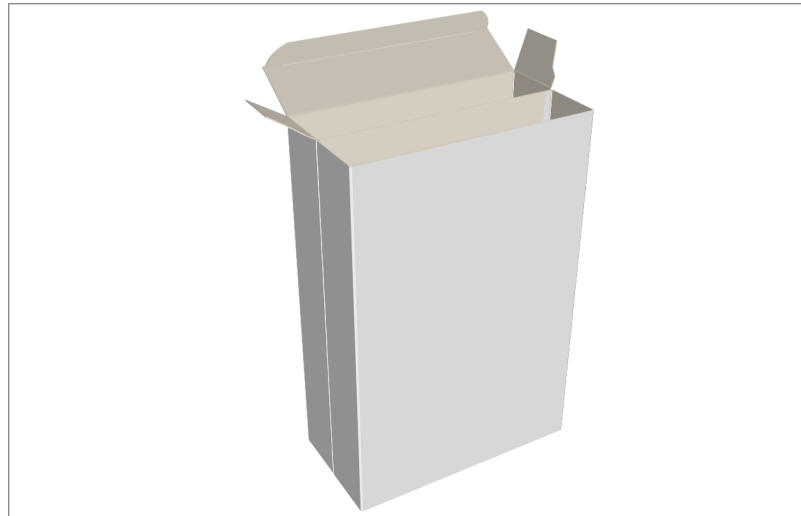




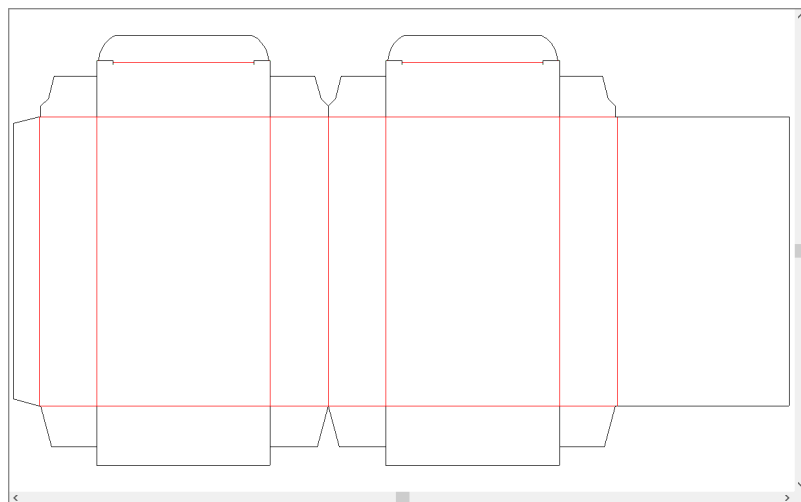
F Series

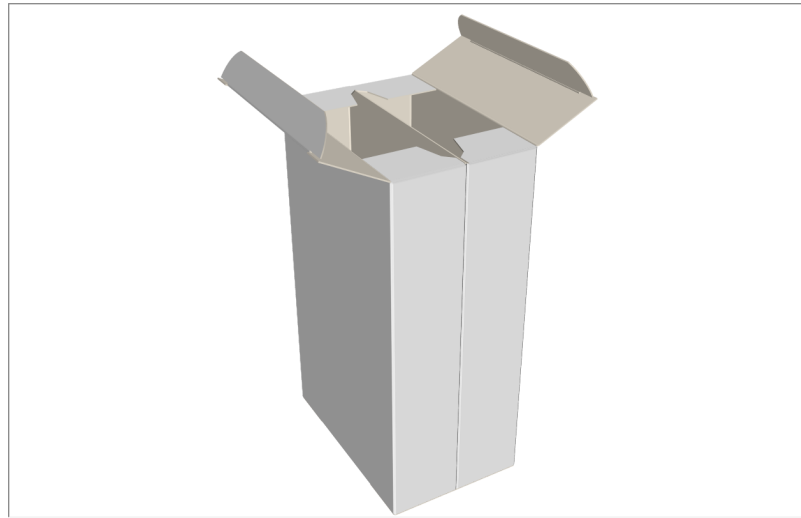
F10.12.00.00



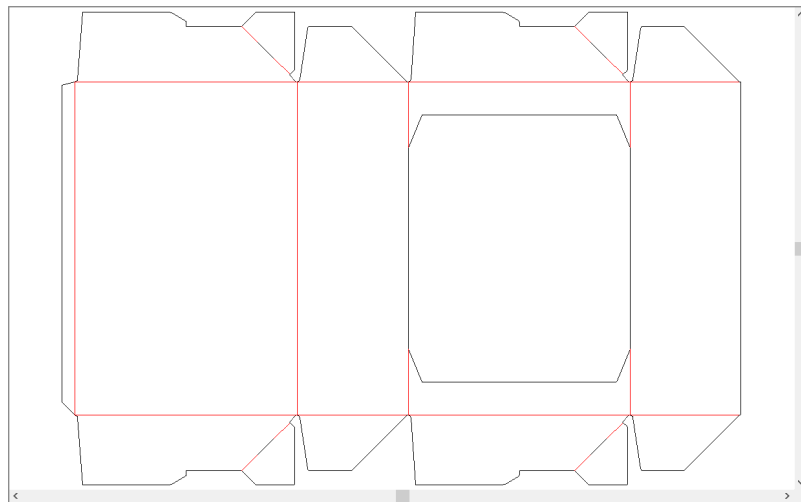


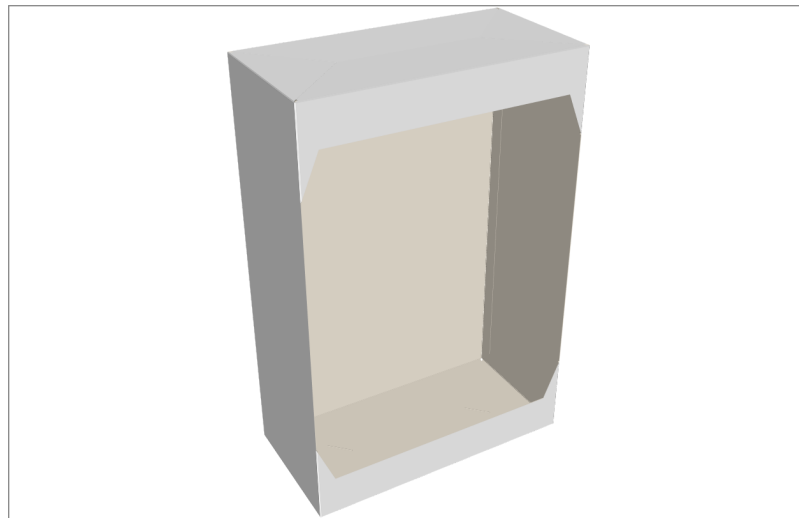
F10.13.00.00



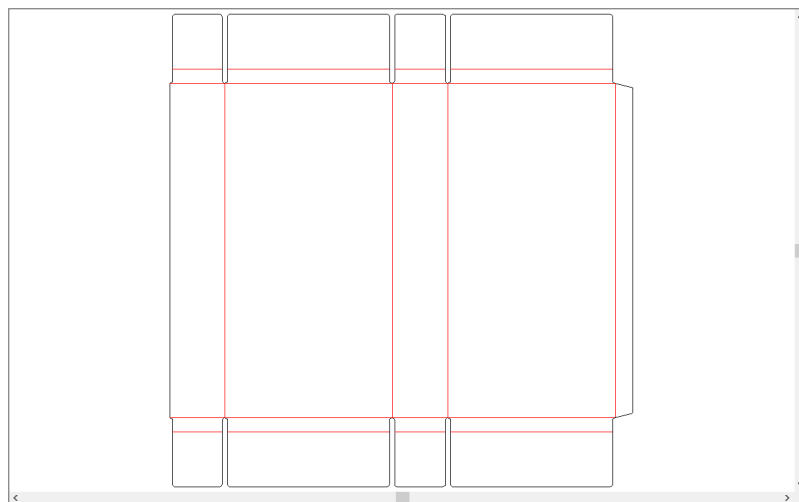


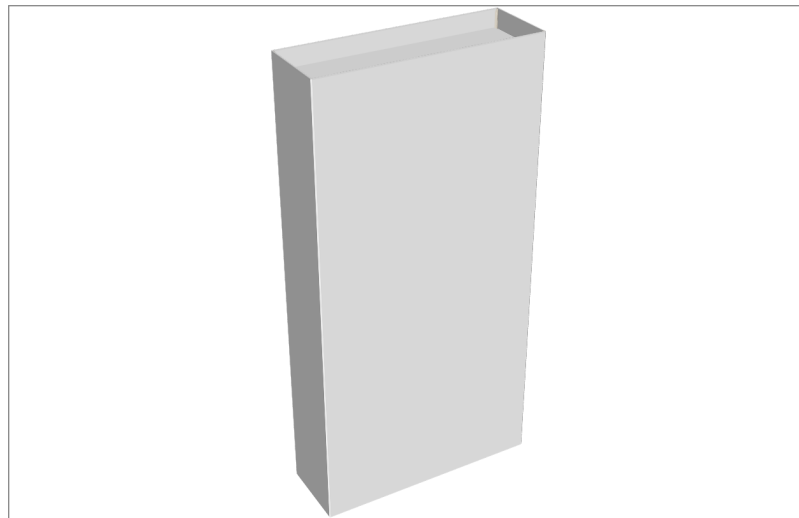
F10.41.00.00



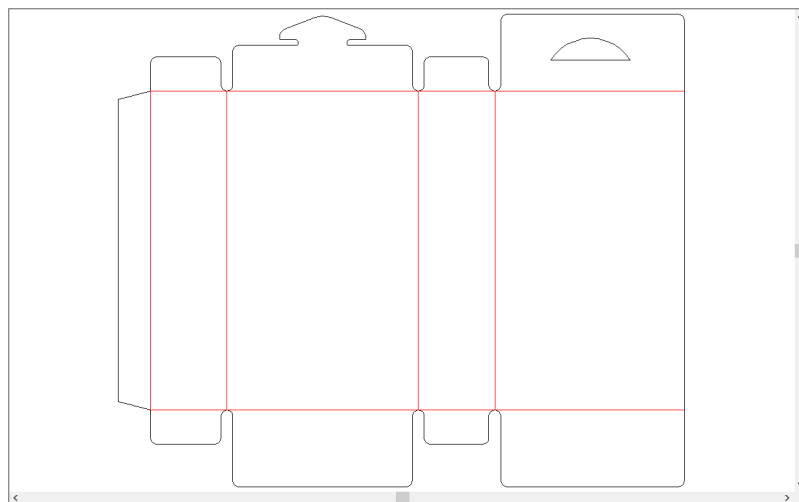


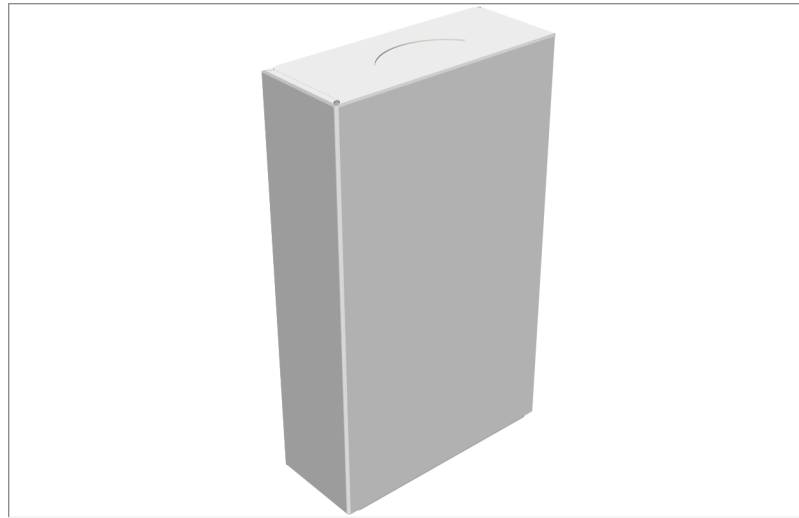
F10.51.00.00



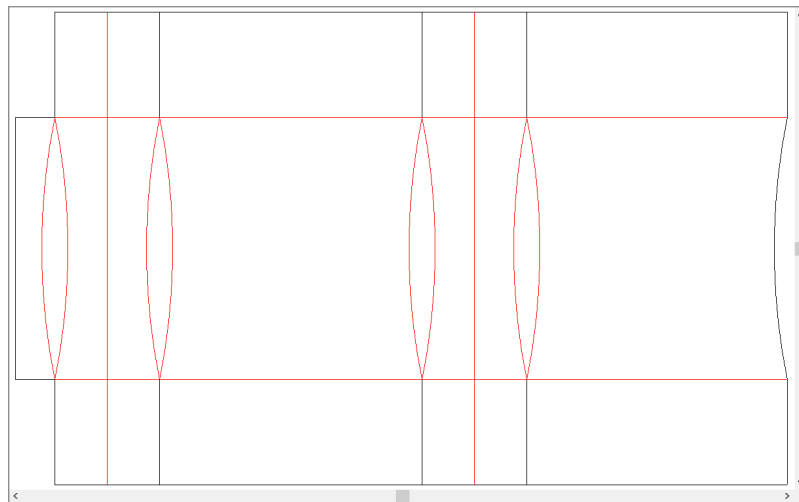


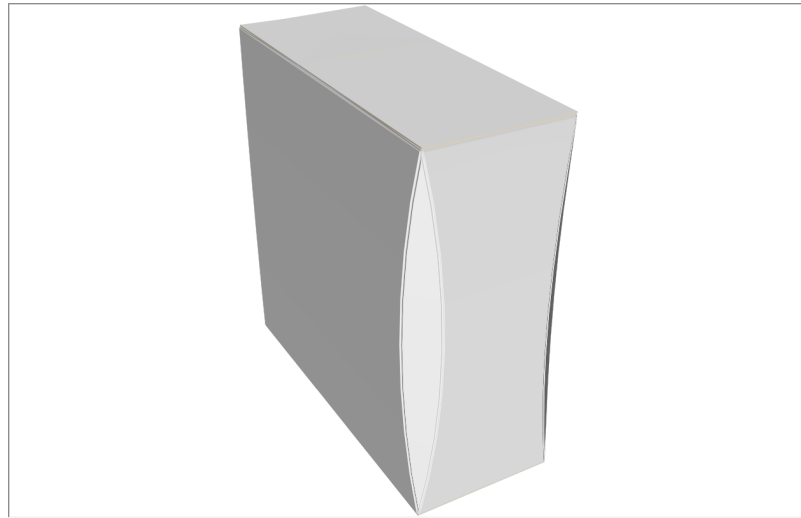
F10.81.00.00



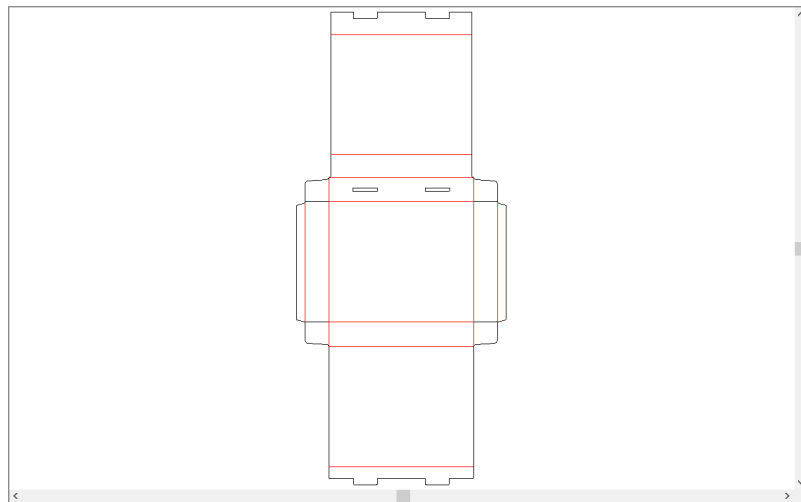


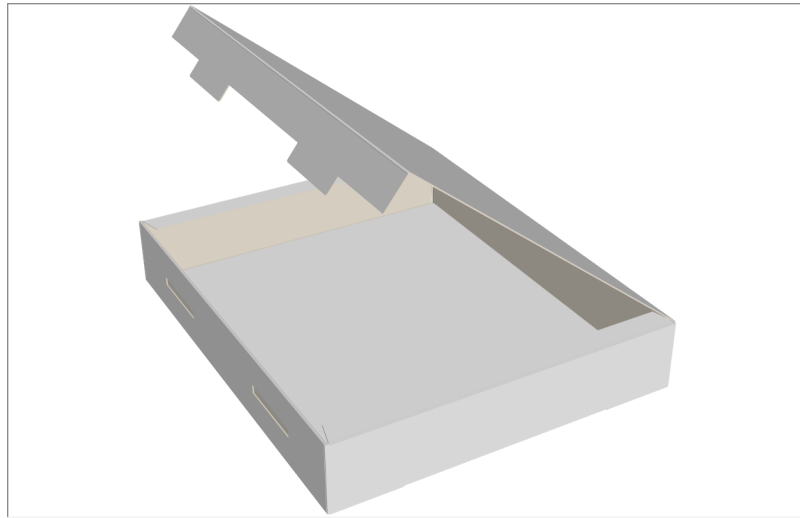
F10.83.00.00



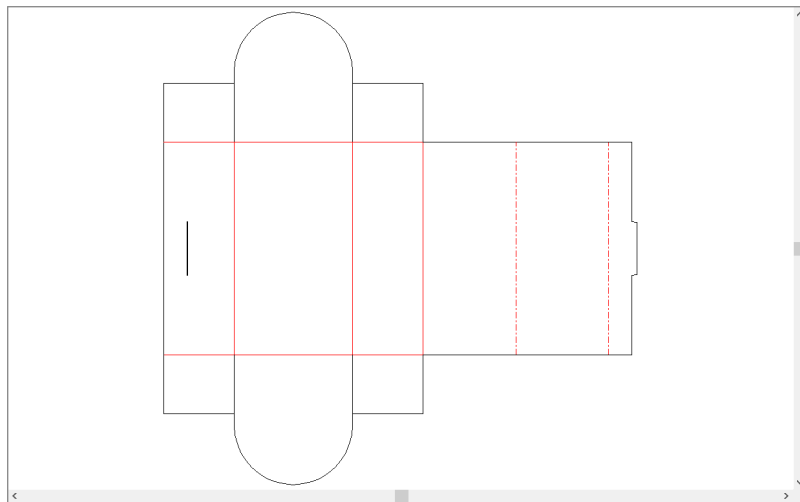


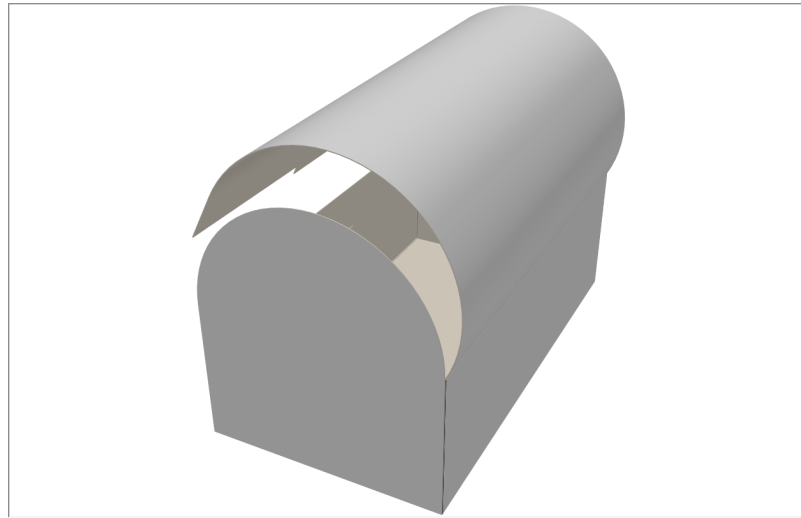
F20.33.00.00



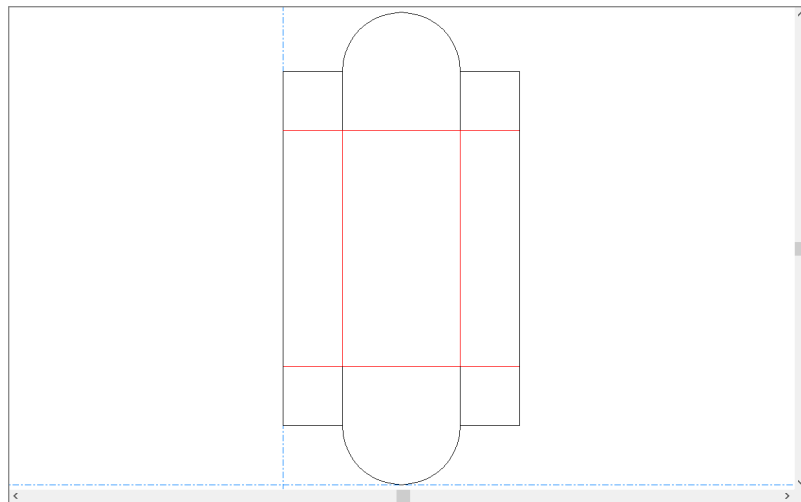


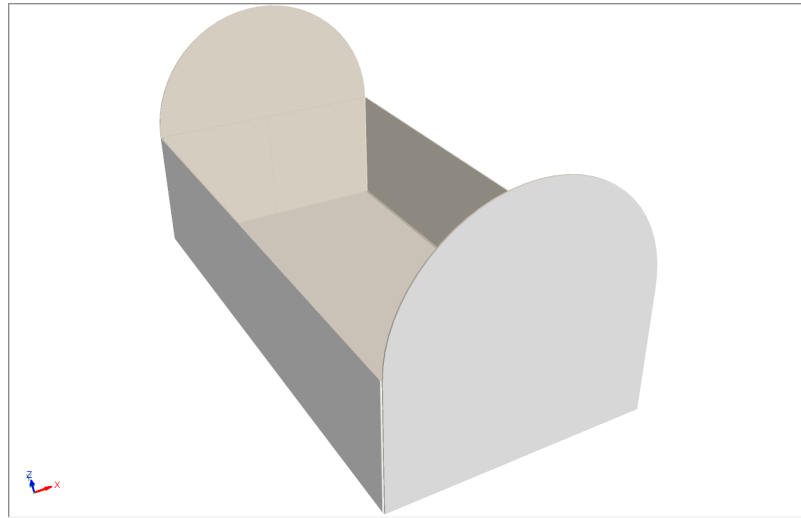
F20.36.00.00



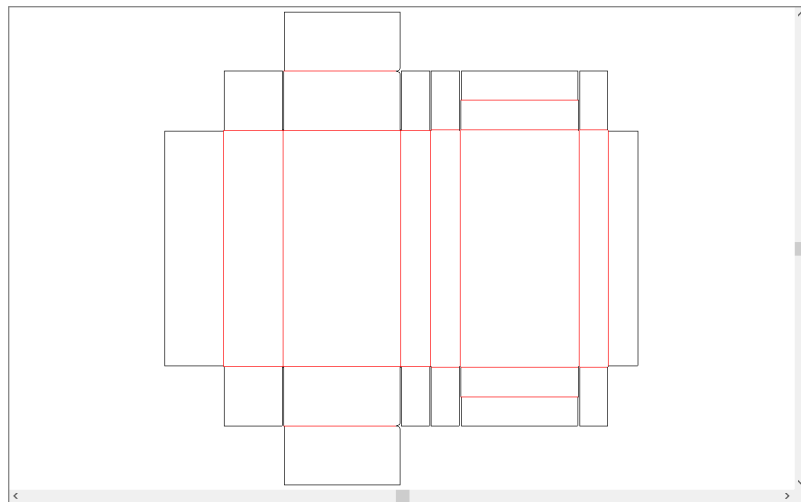


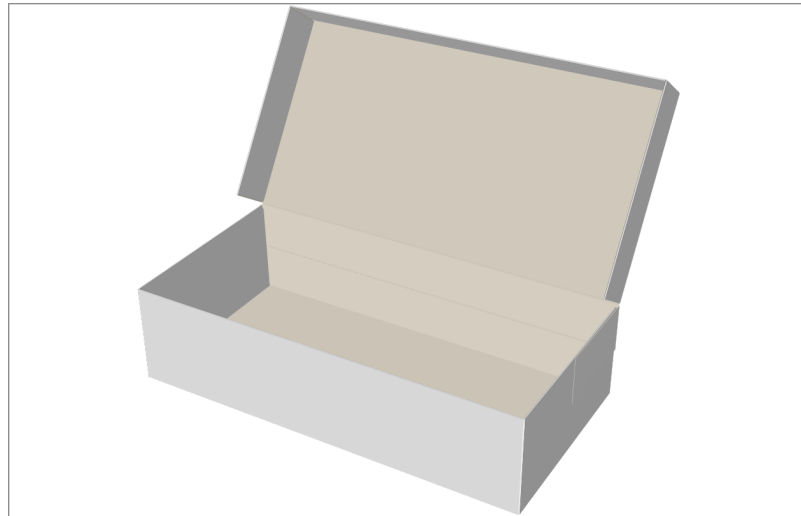
F20.37.00.00



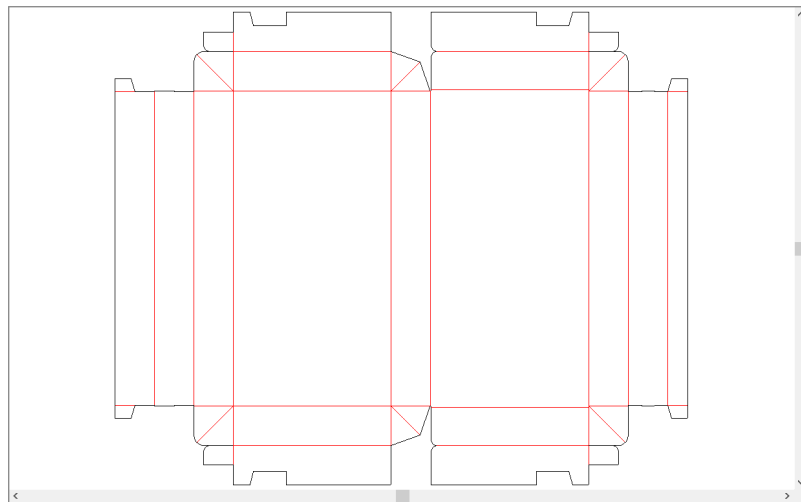


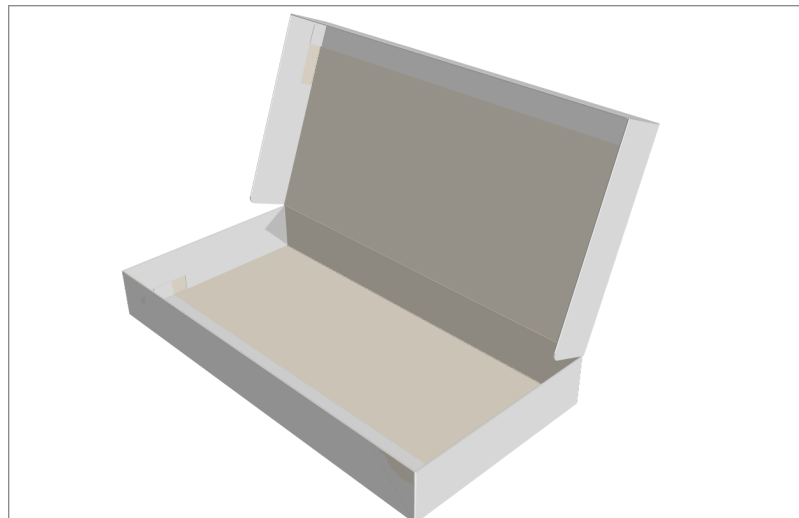
F20.41.00.00



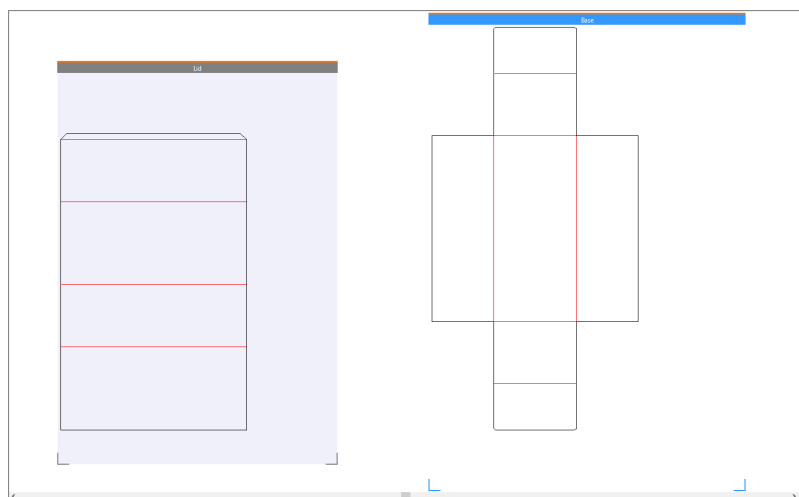


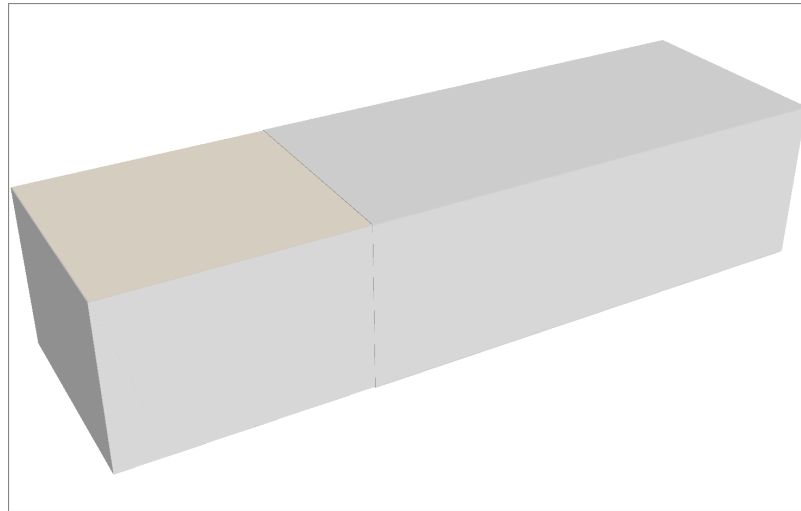
F20.42.00.00



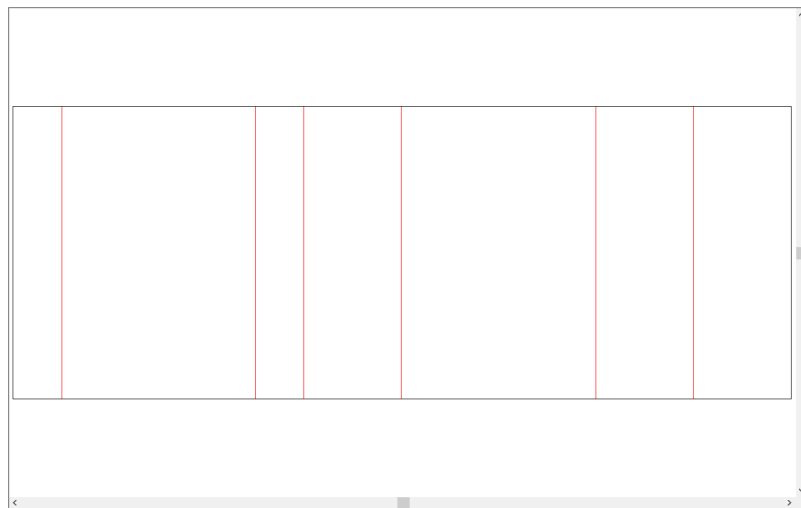


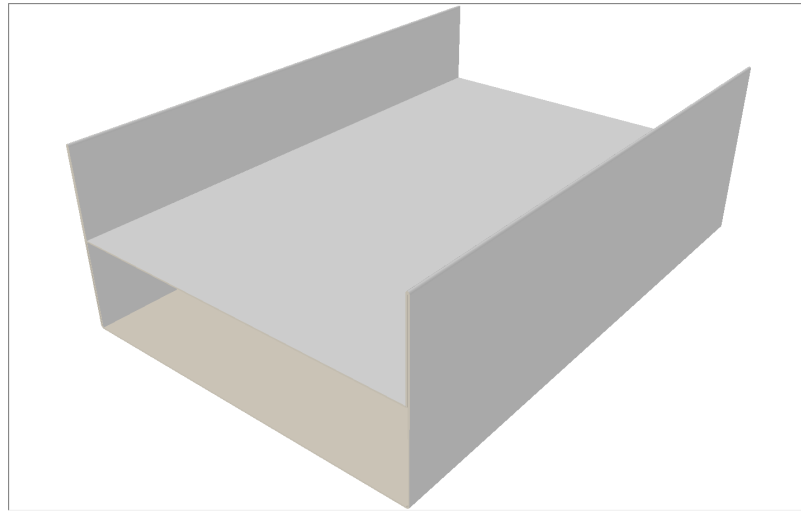
F20.51.00.00 Canvas



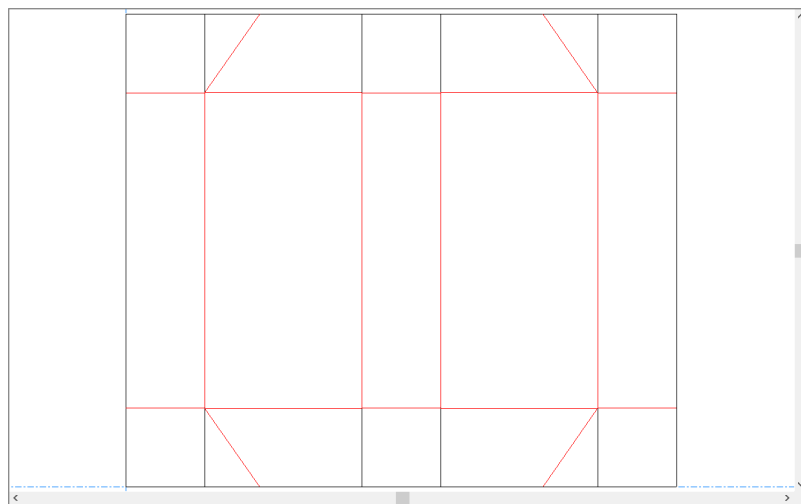


F20.53.00.00



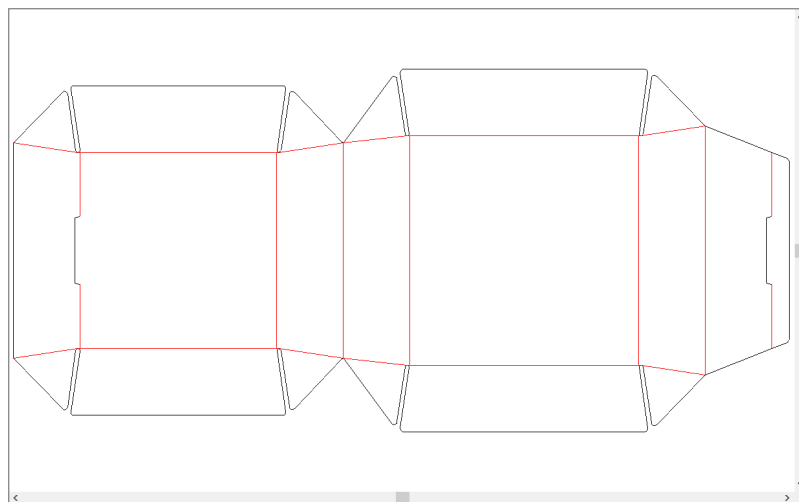


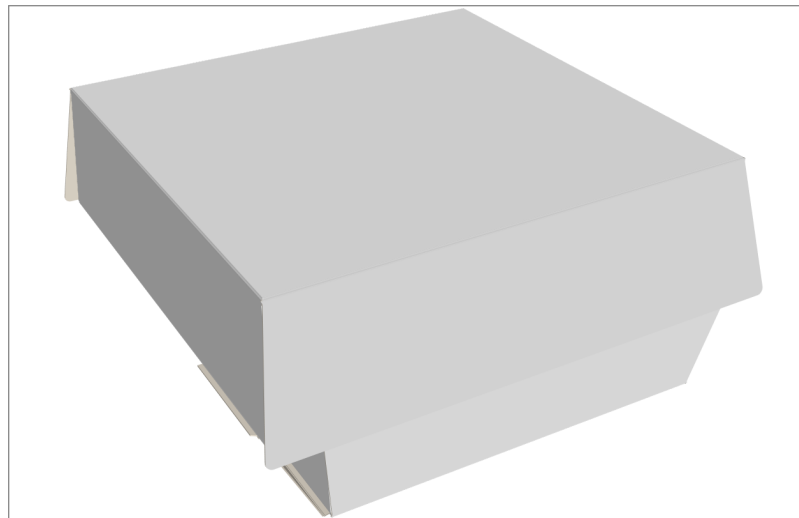
F20.60.00.00



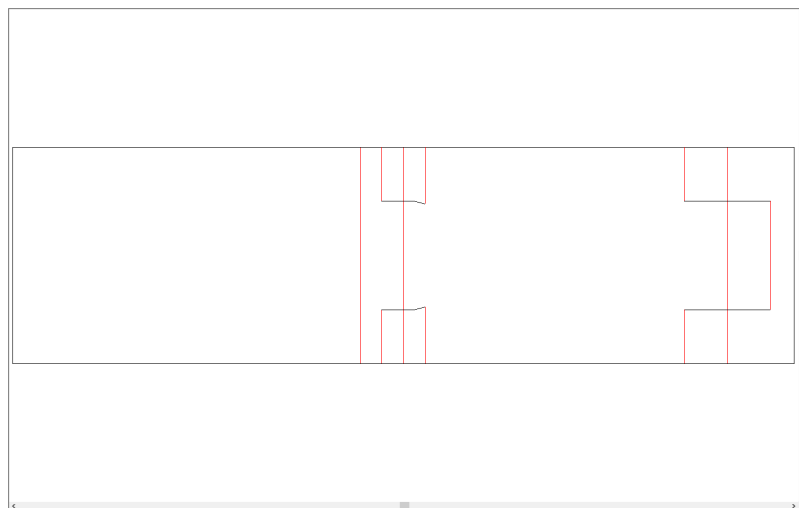


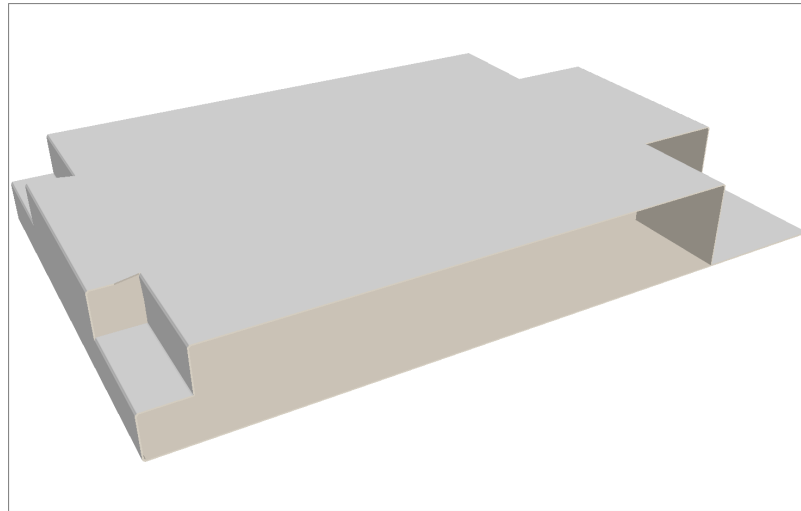
F40.71.00.00



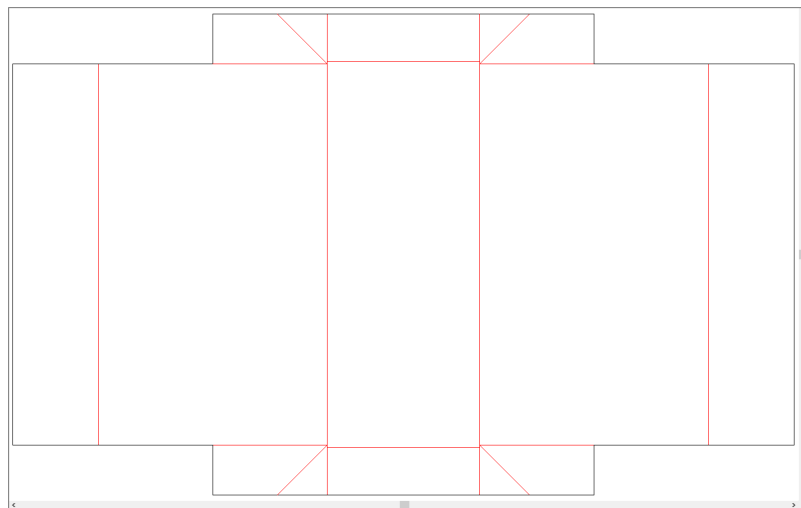


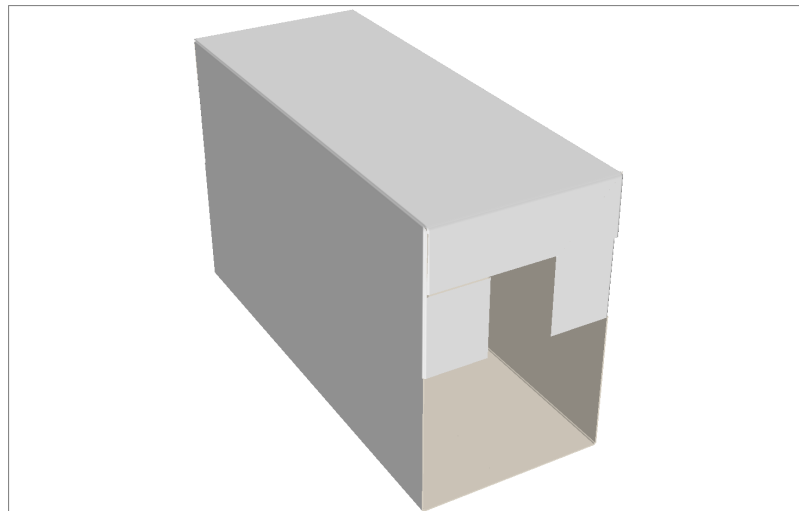
F50.04.00.00



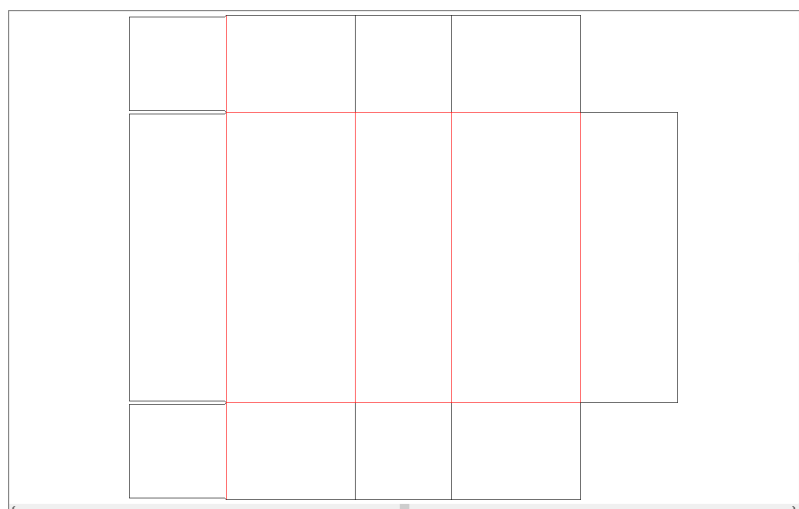


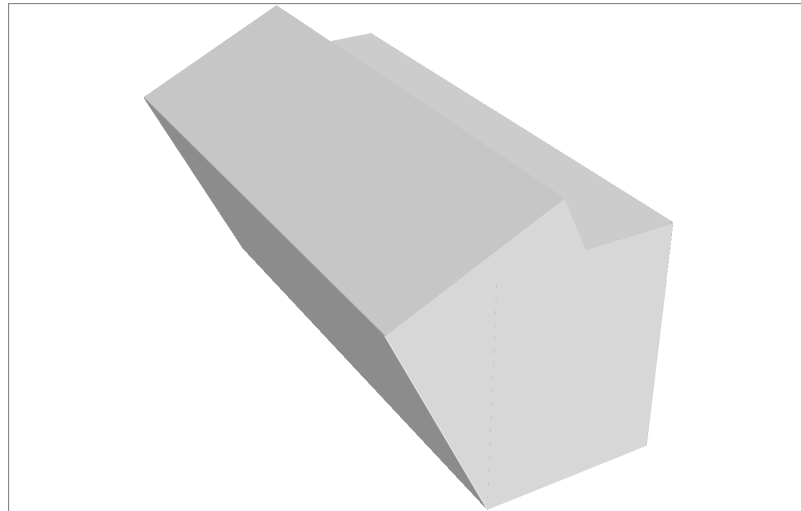
F50.21.00.00



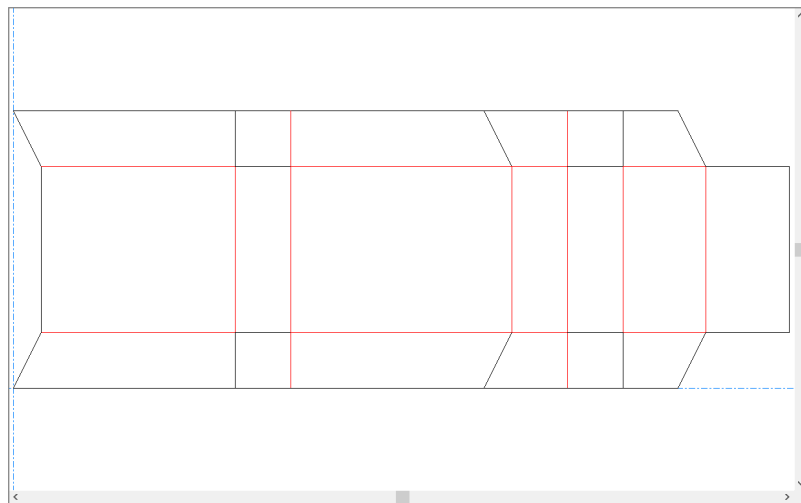


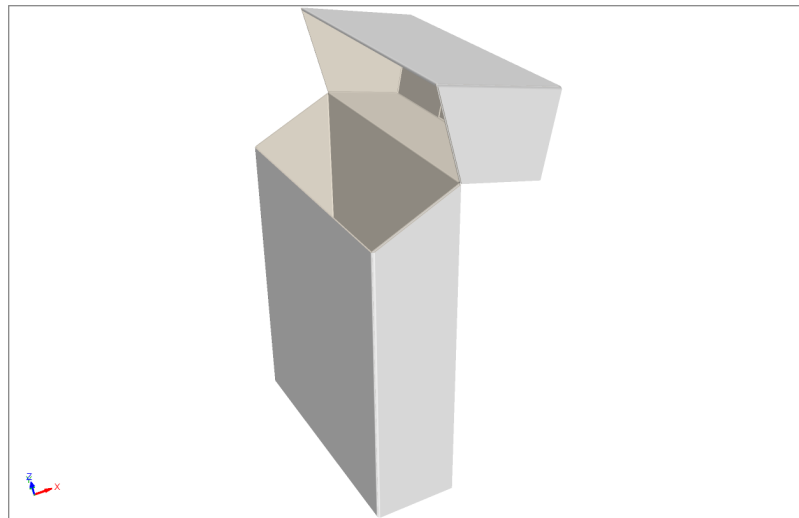
F60.02.00.00



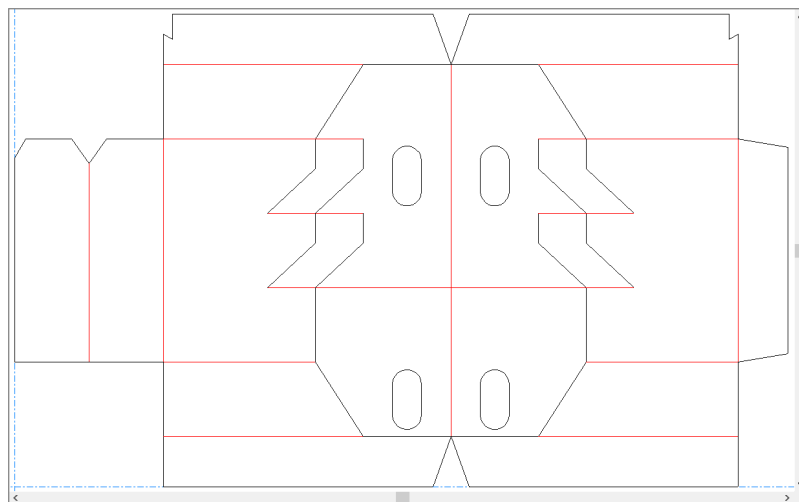


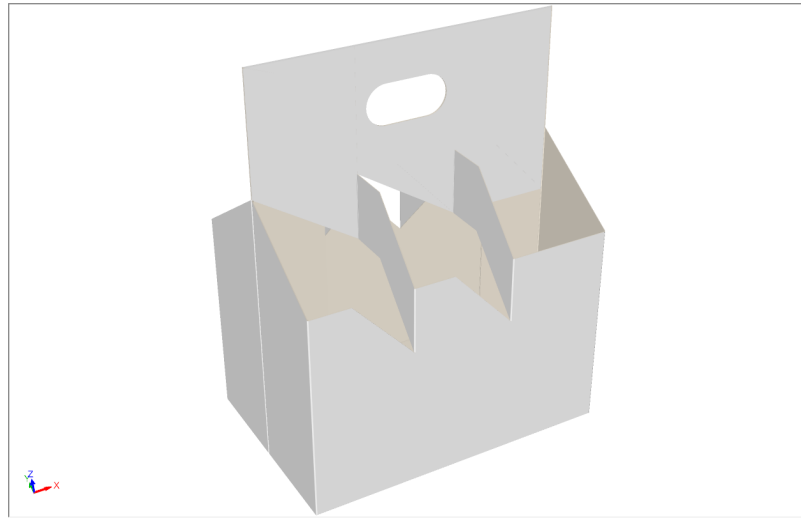
F60.11.00.00





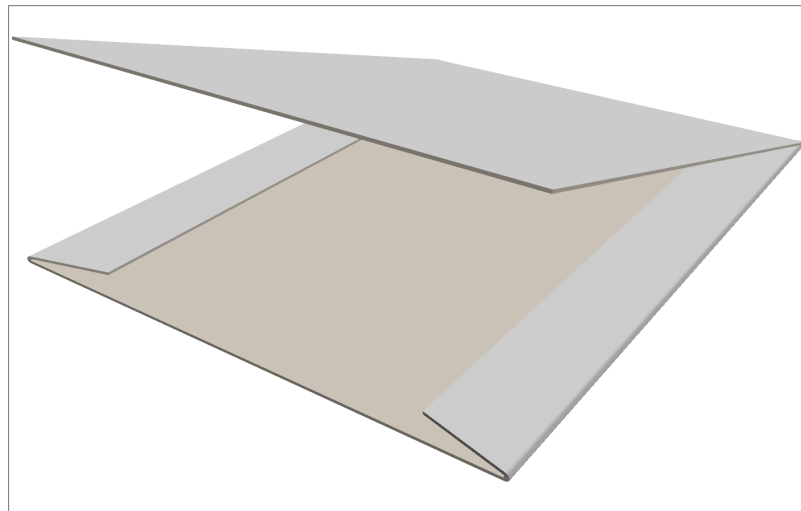
F60.32.00.00



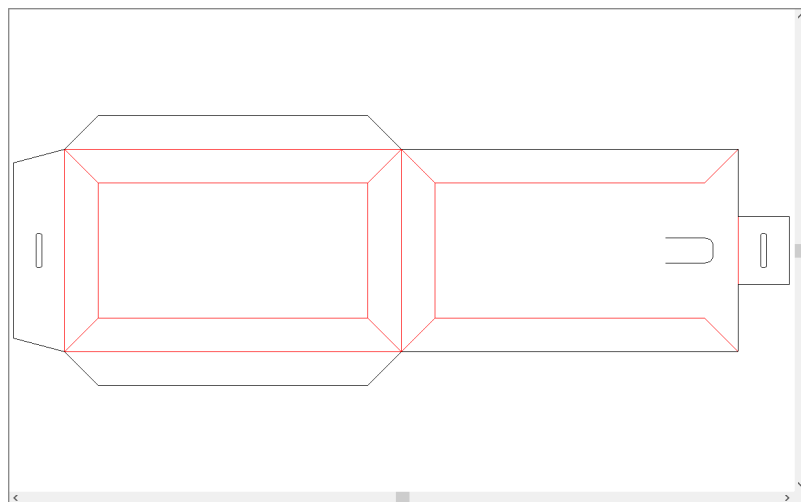


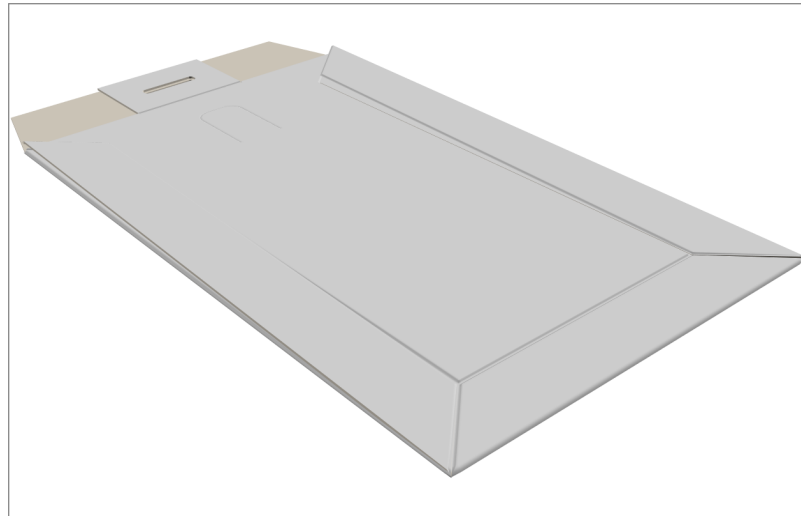
F60.91.00.00



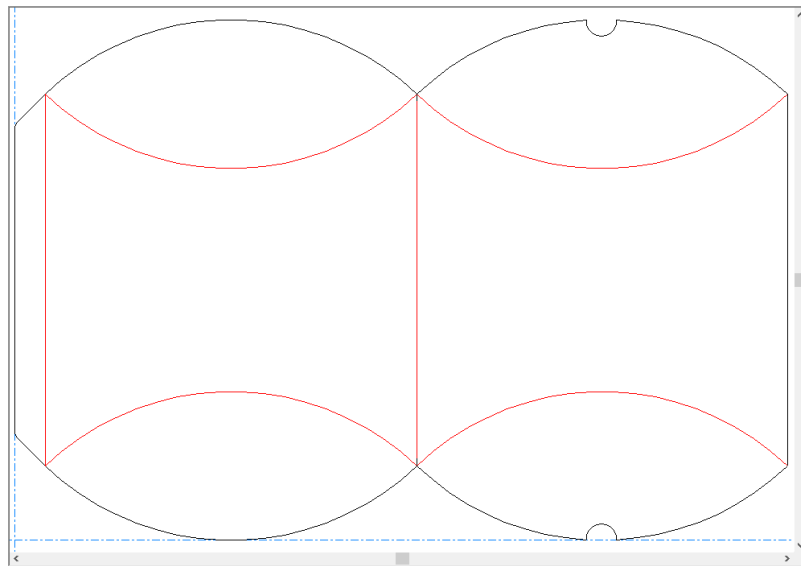


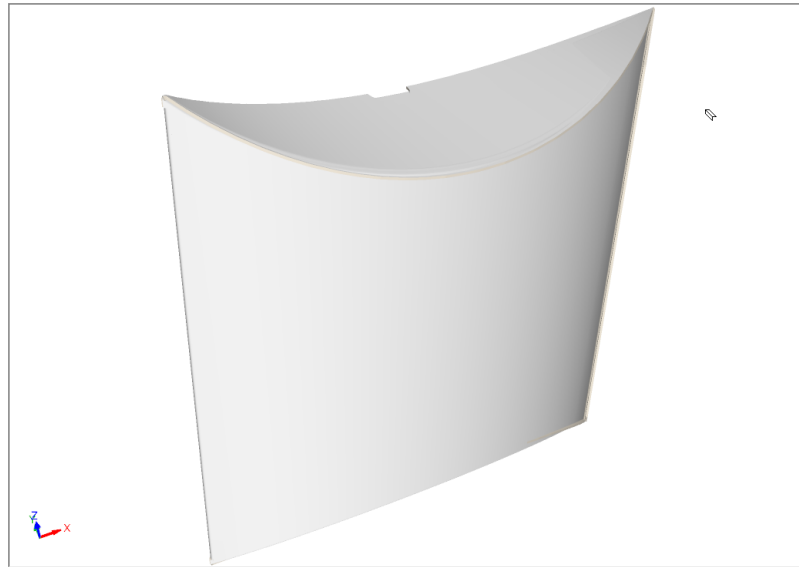
F60.93.00.00



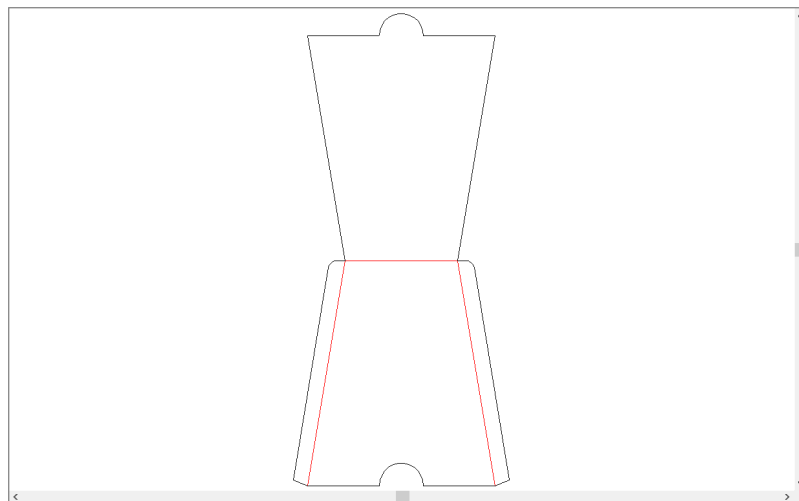


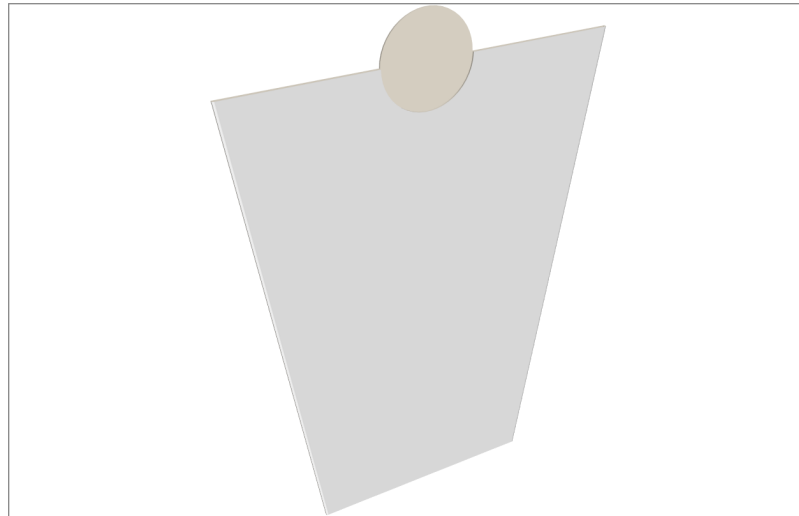
F70.01.00.00



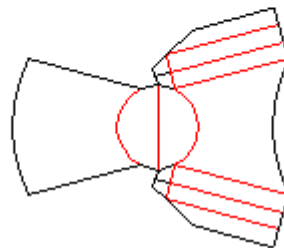
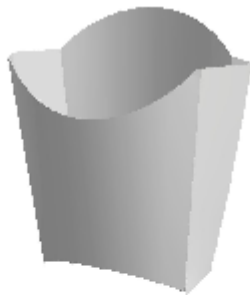


F70.51.00.00

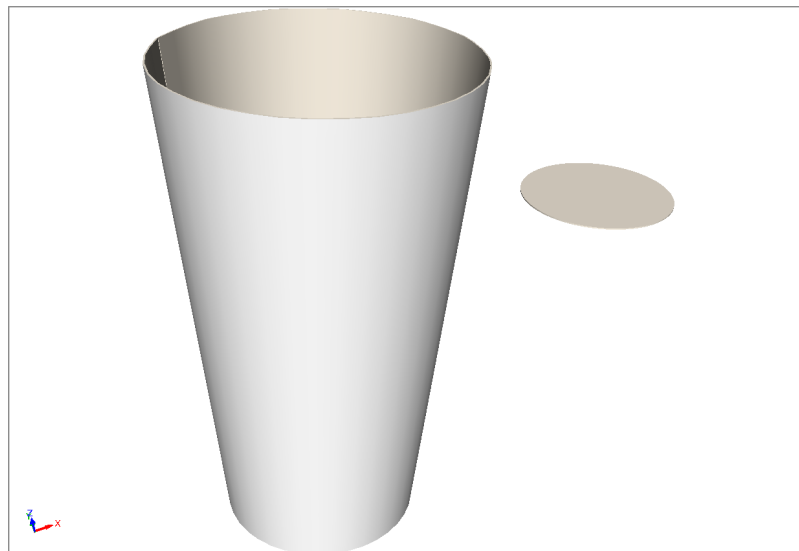
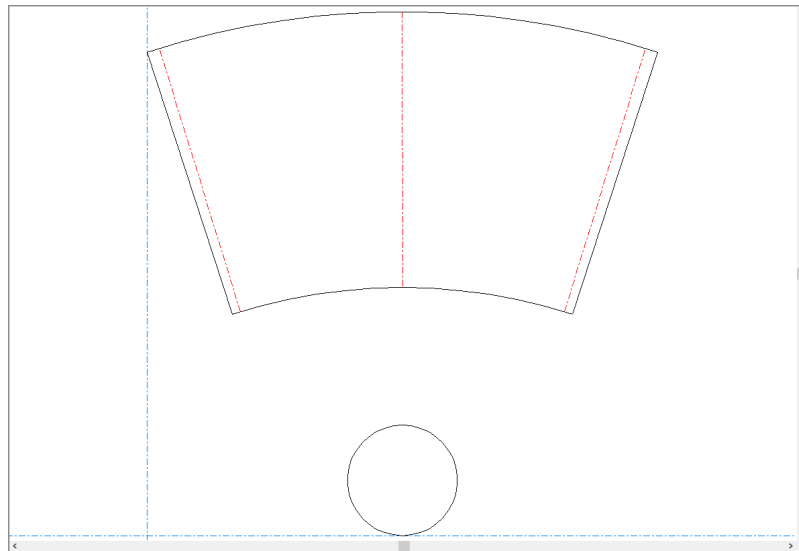




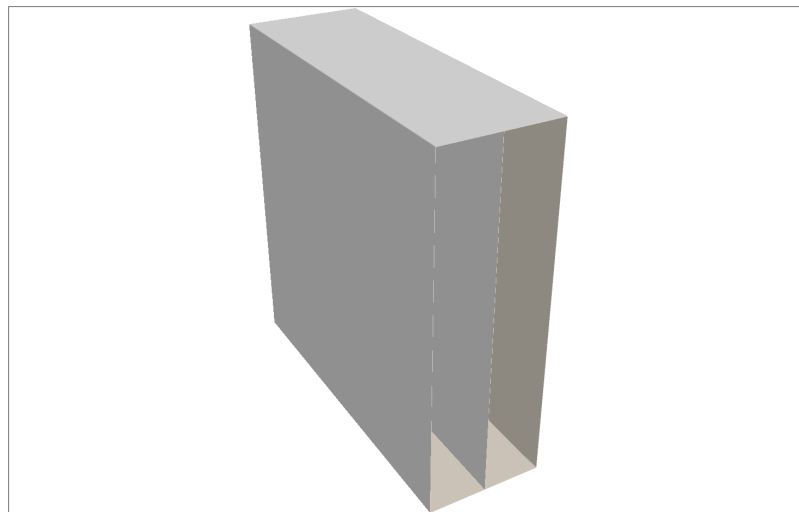
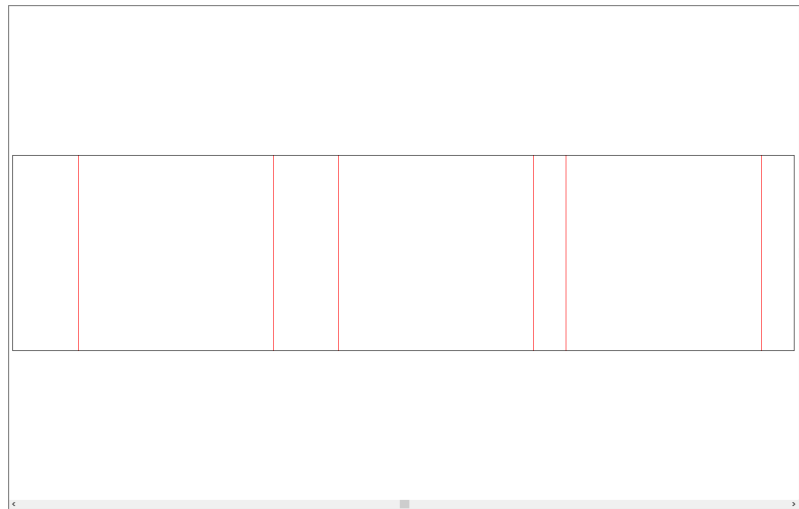
F70.54.00.00



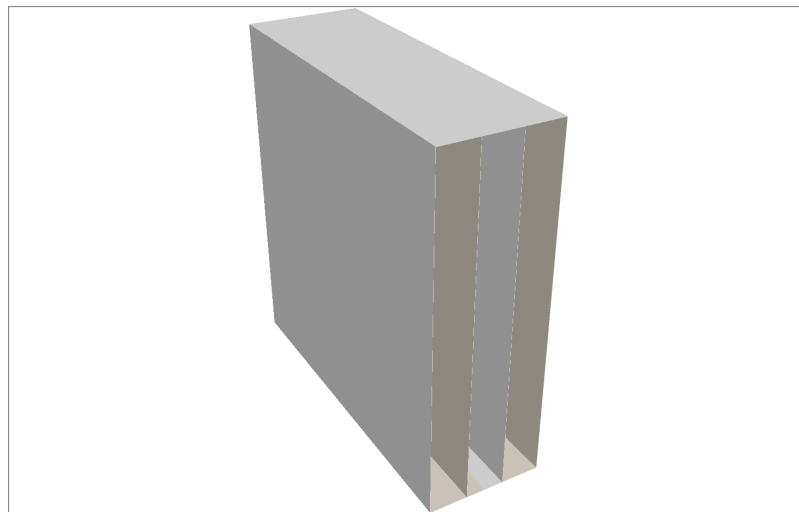
F70.62.00.00



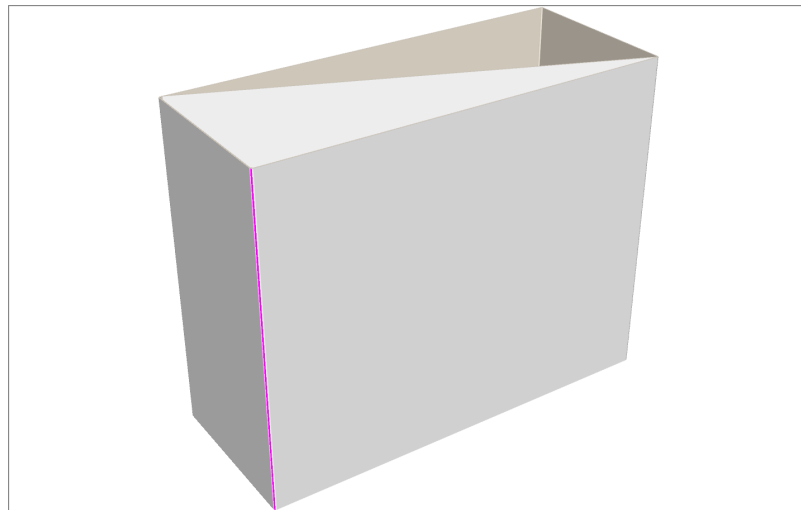
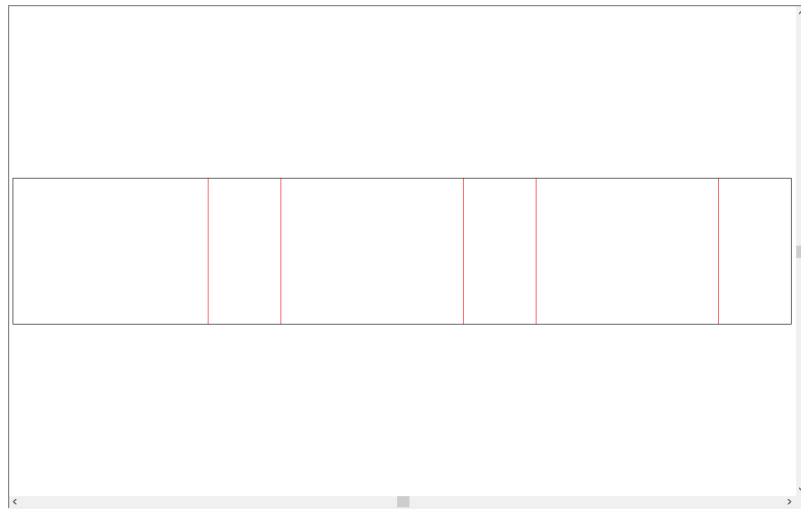
F80.21.00.00



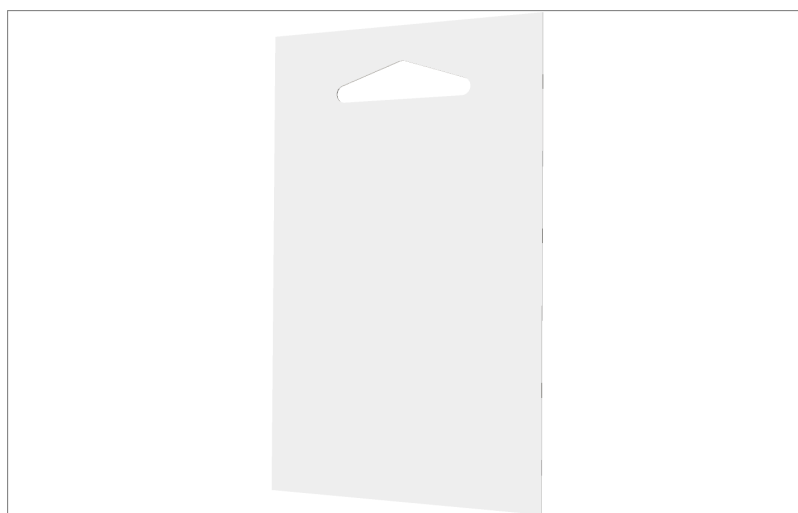
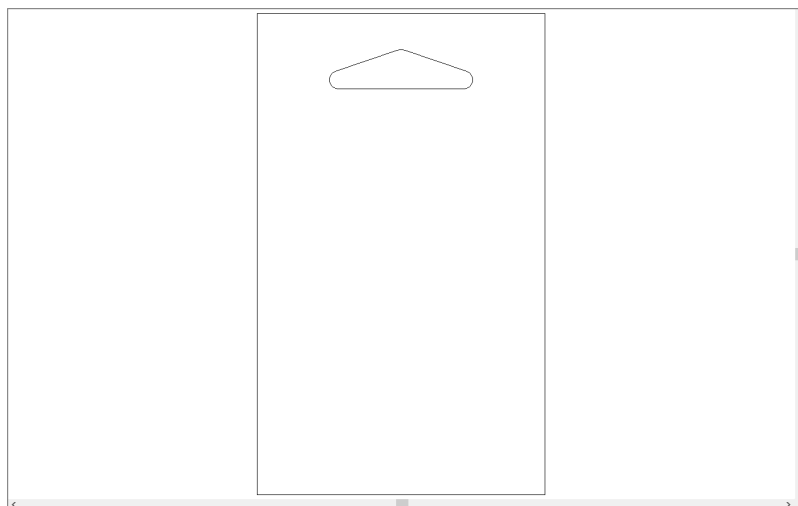
F80.22.00.00



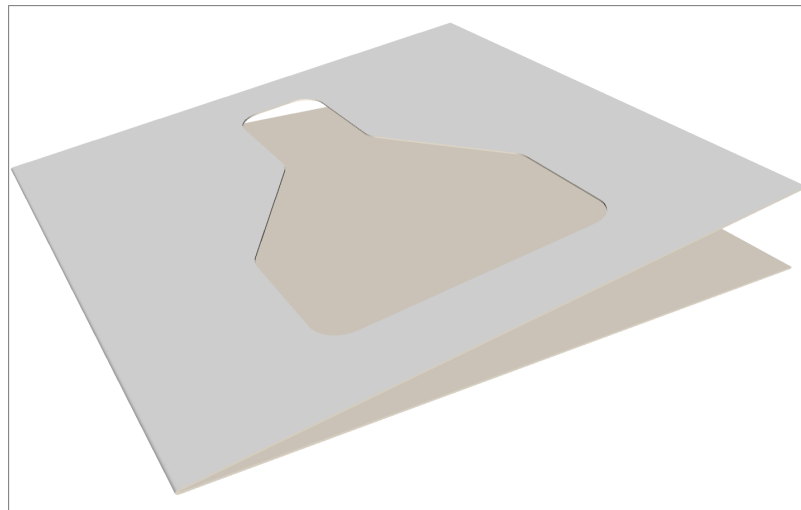
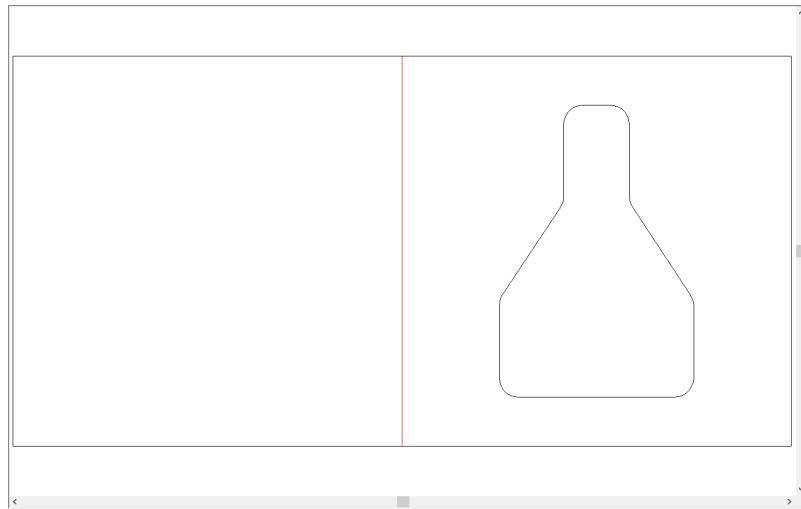
F80.23.00.00



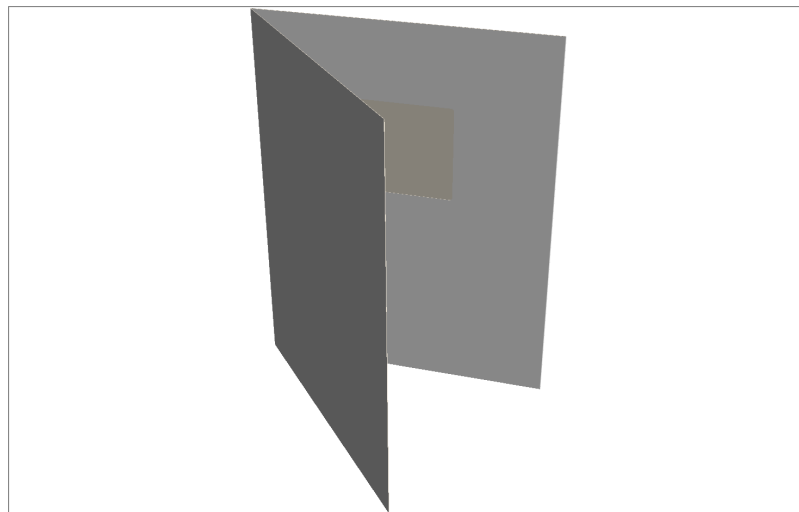
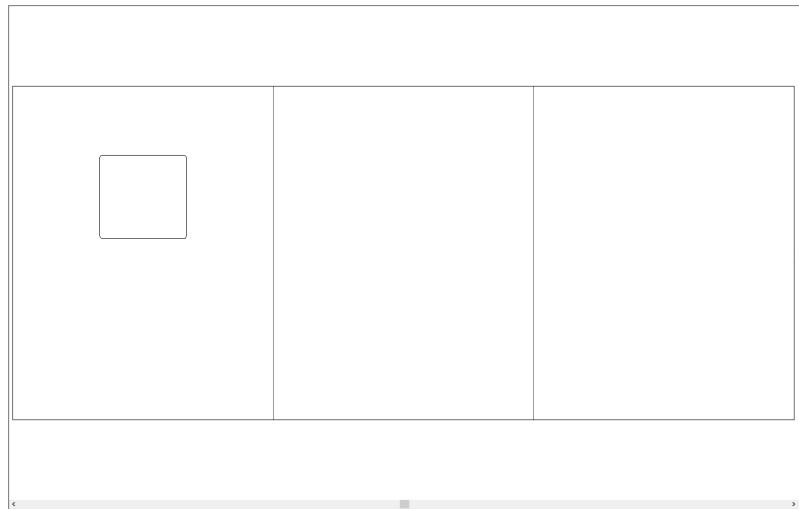
F80.51.00.00



F80.52.00.00

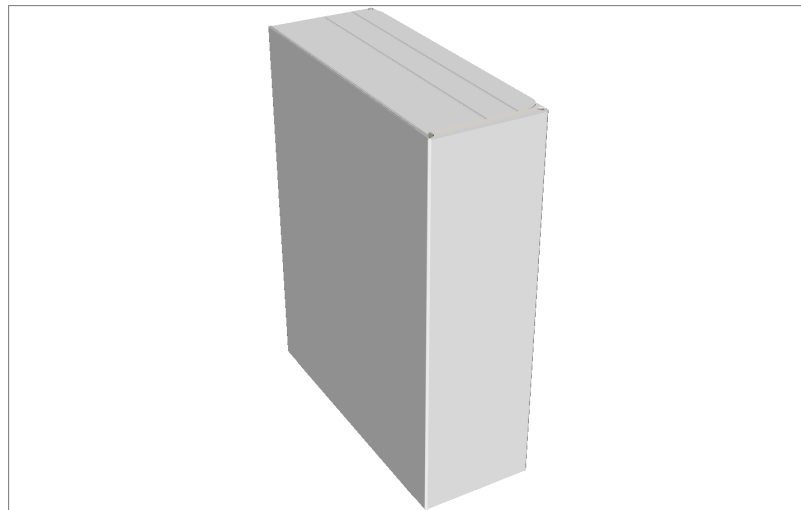
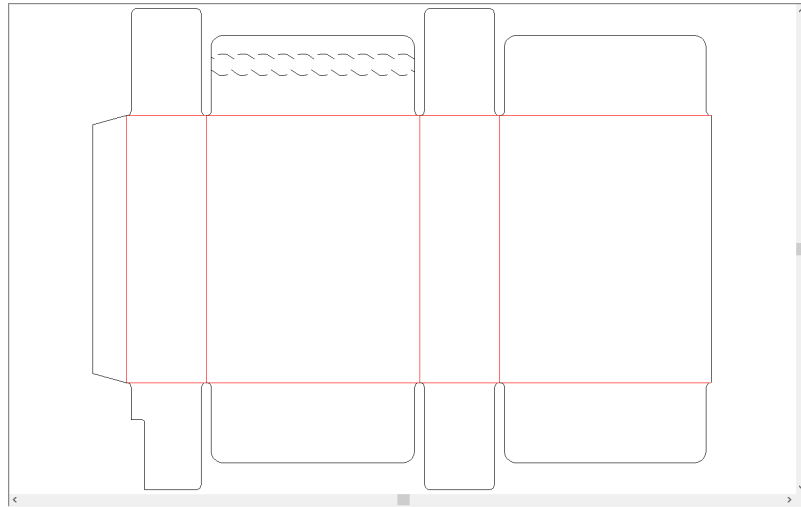


F80.53.00.00

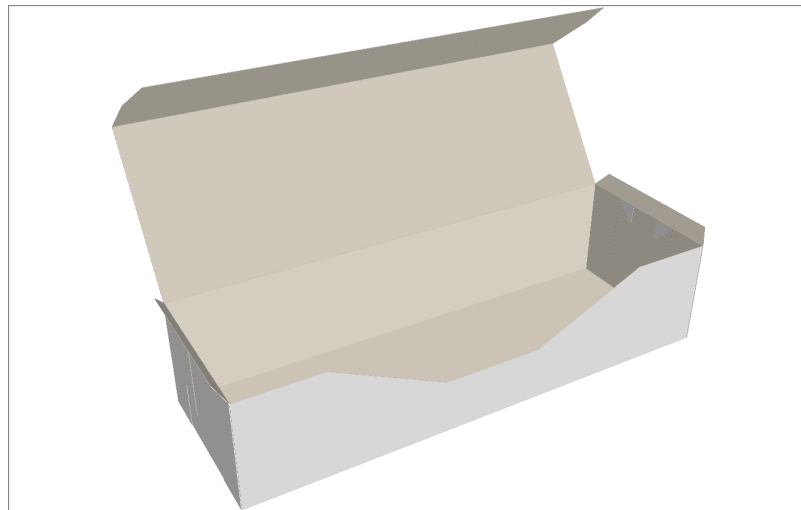
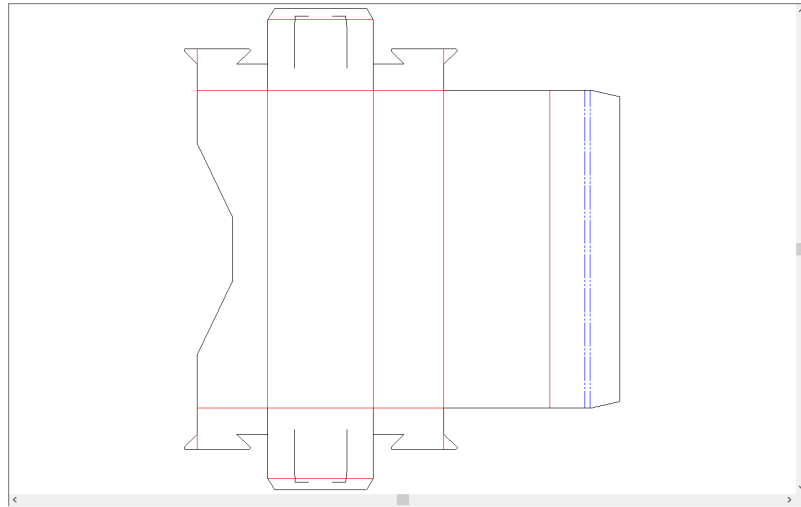


X Series

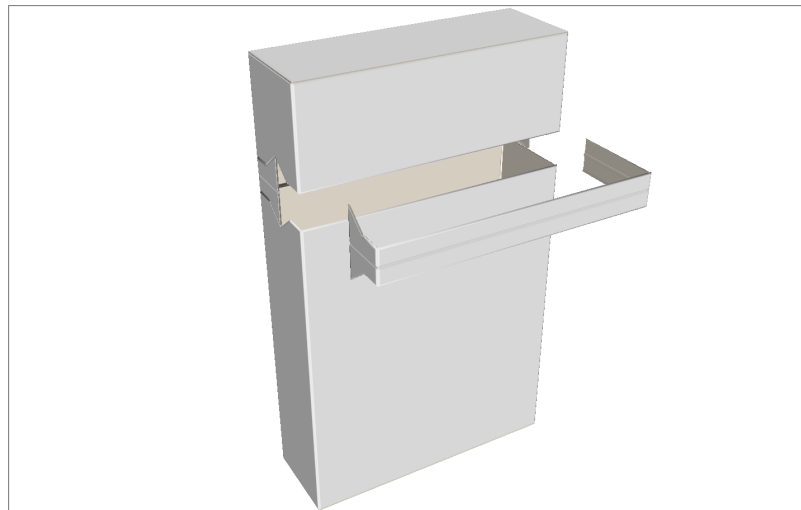
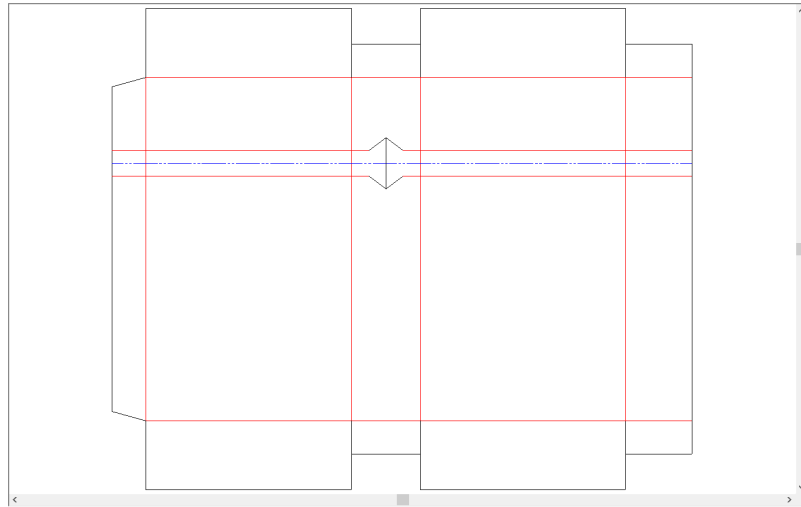
X11



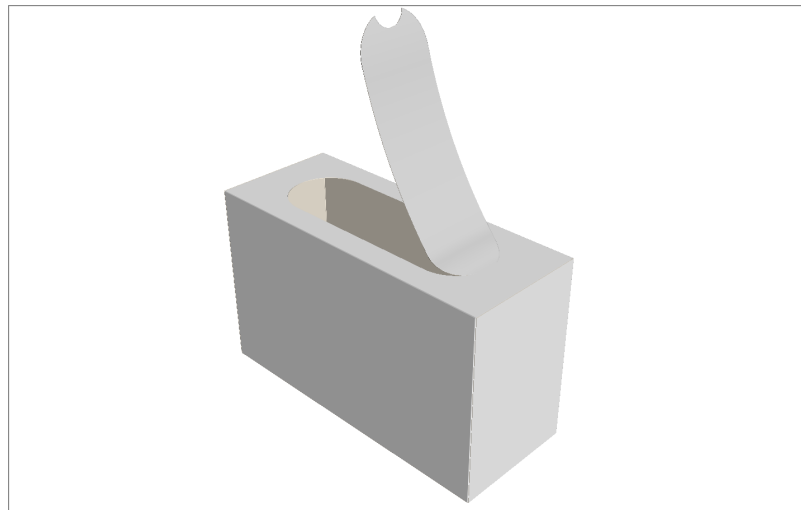
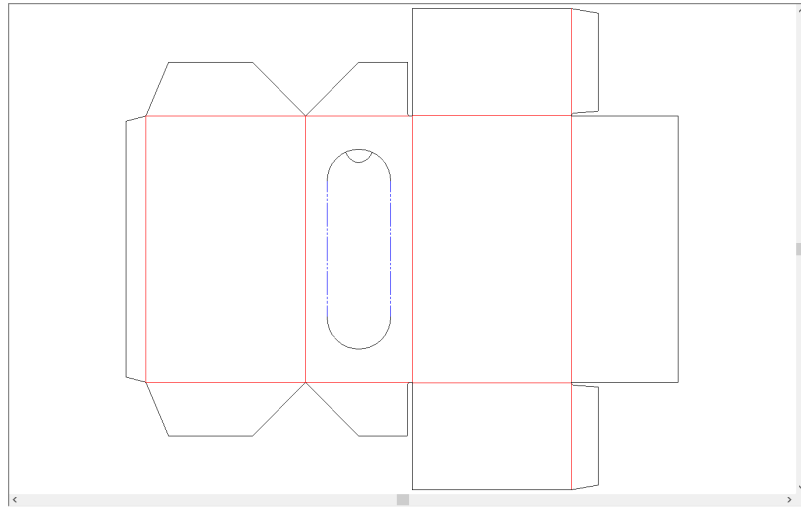
X12



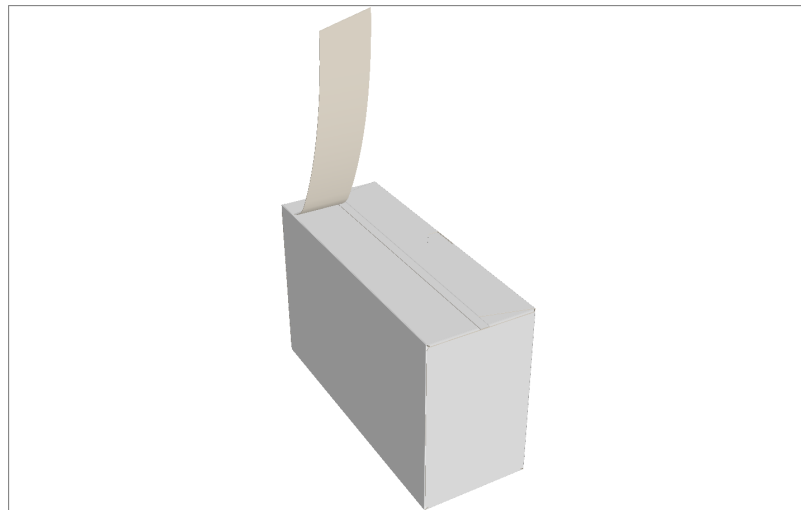
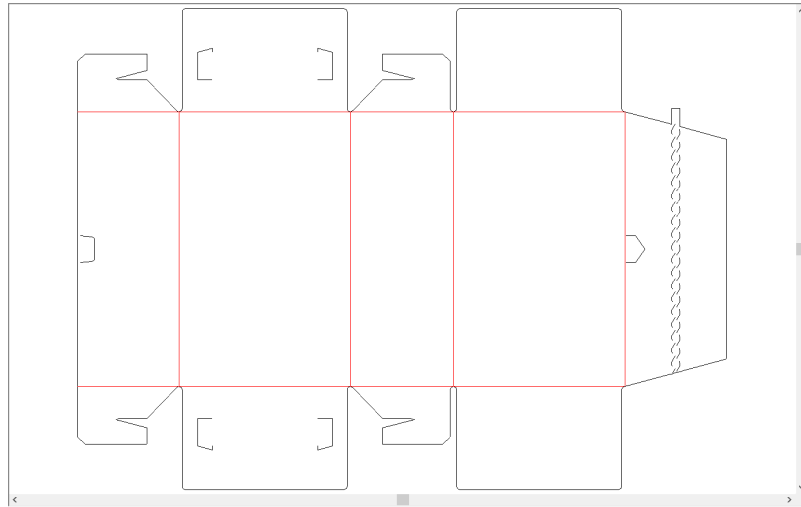
X13



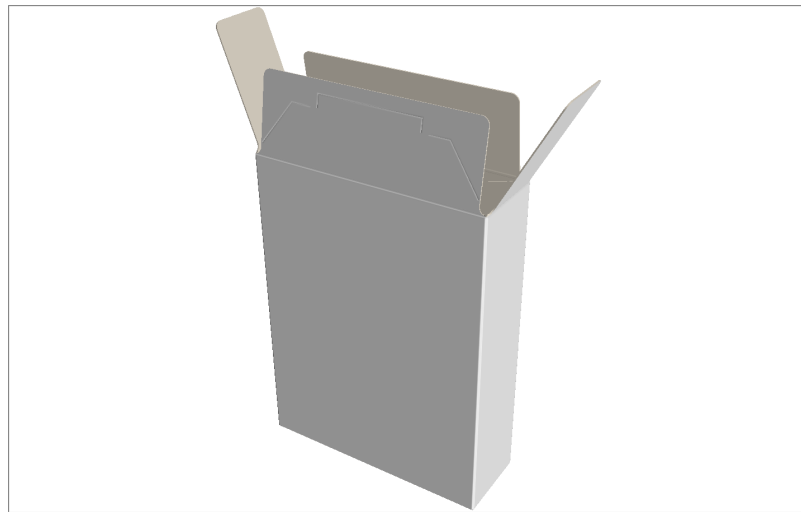
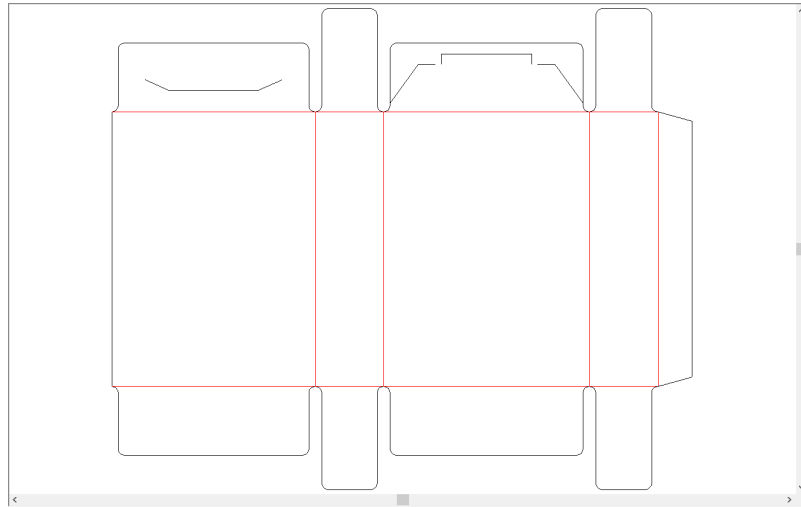
X14



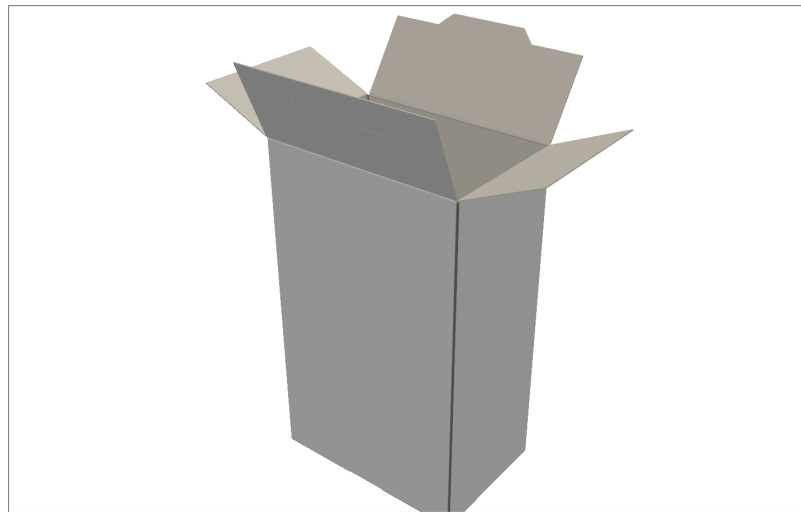
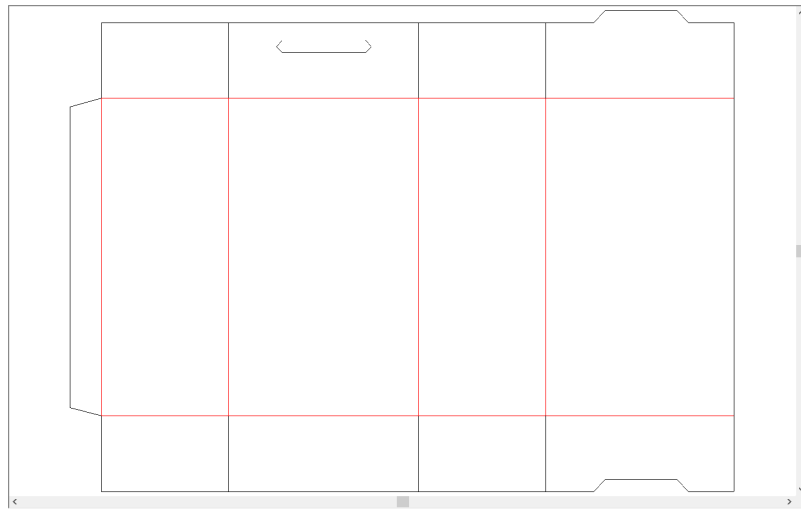
X21



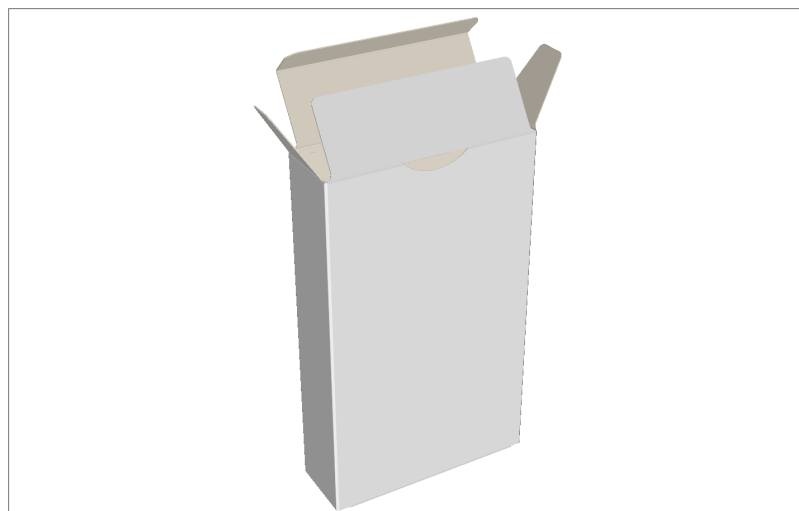
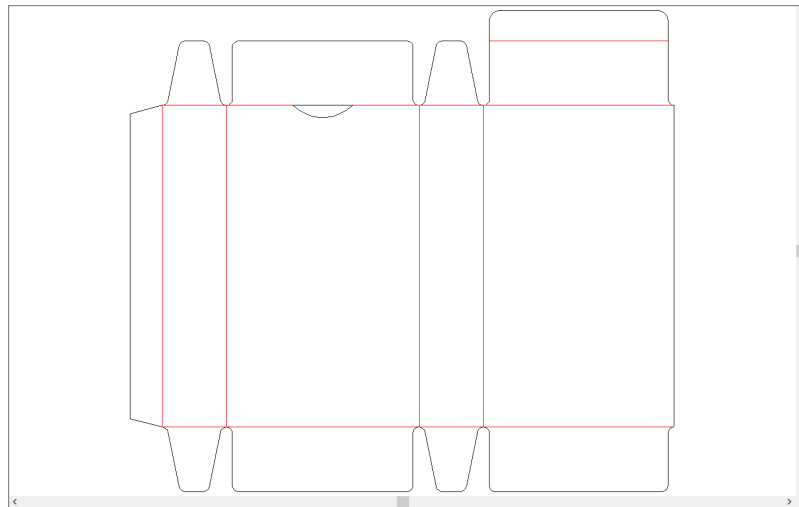
X22



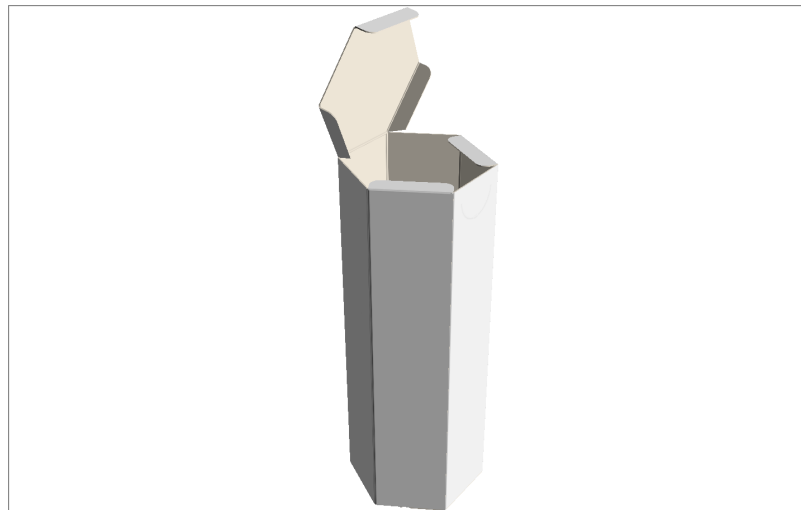
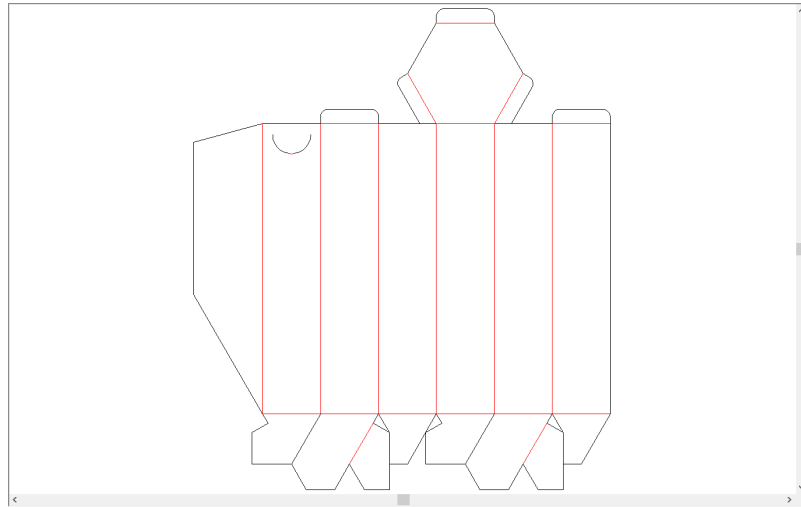
X23



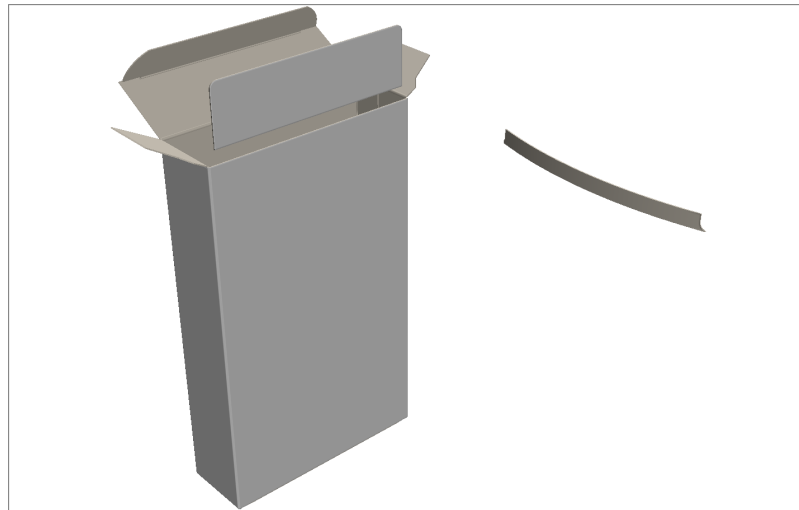
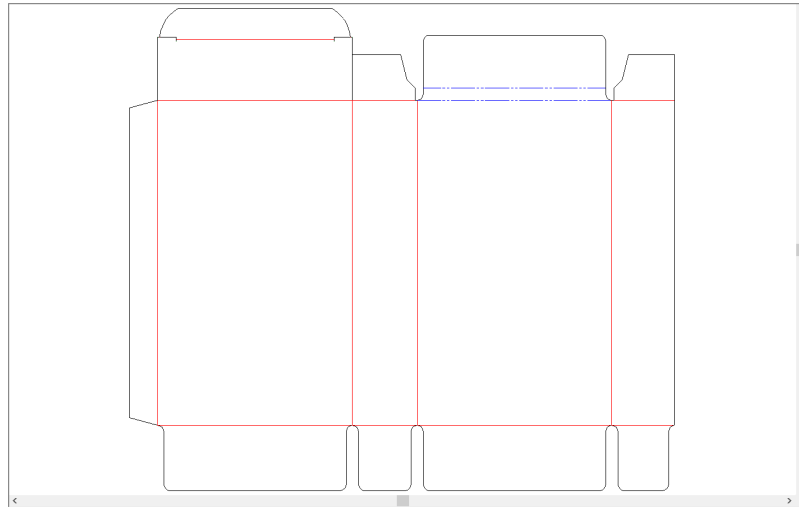
X25



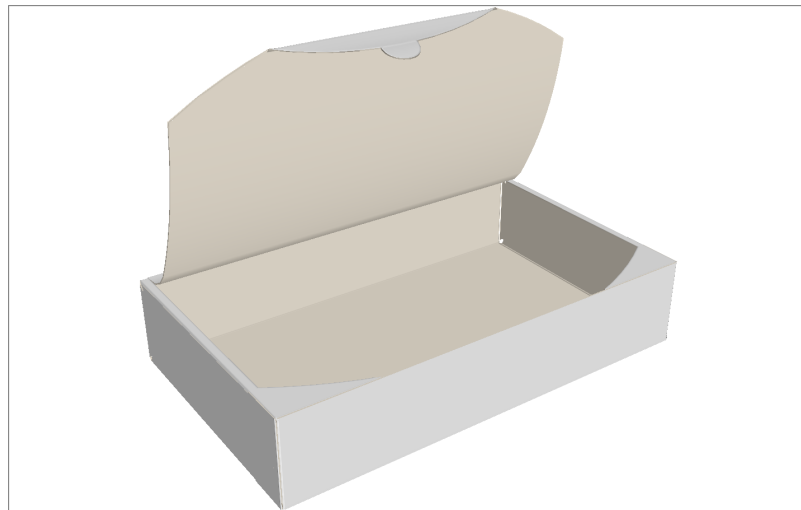
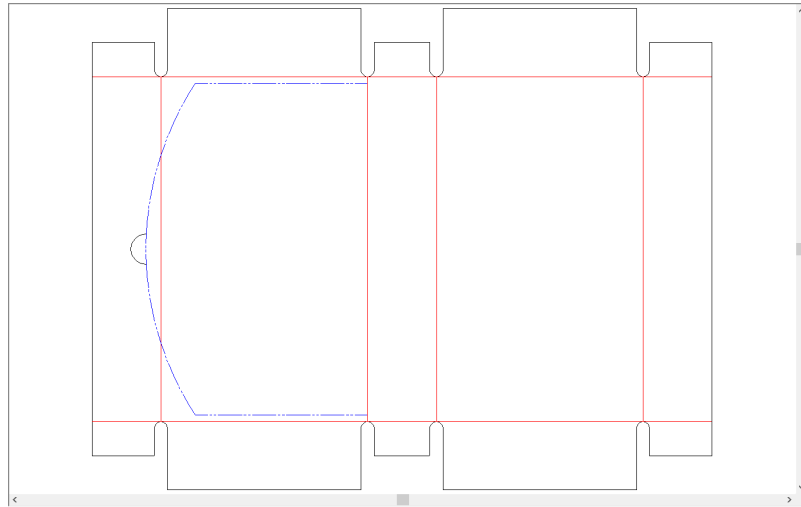
X26



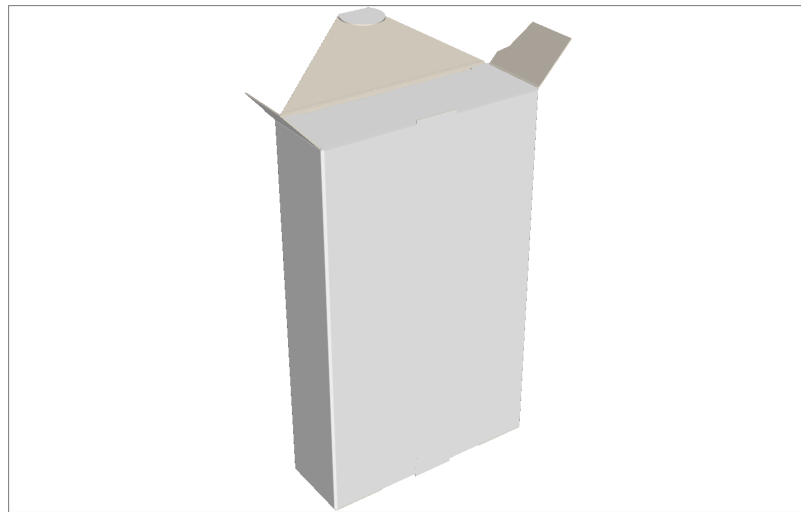
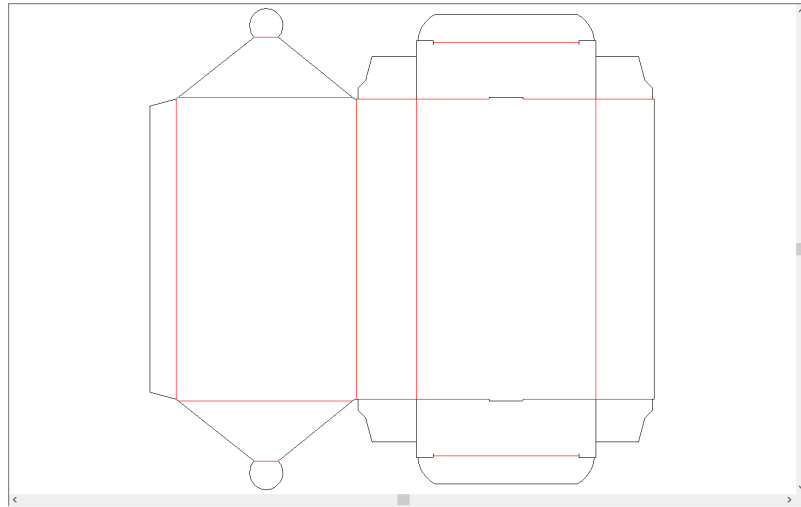
X27



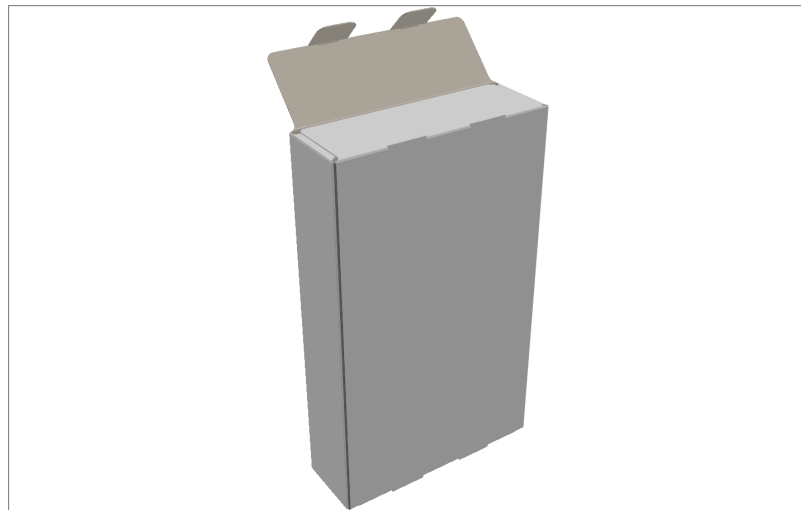
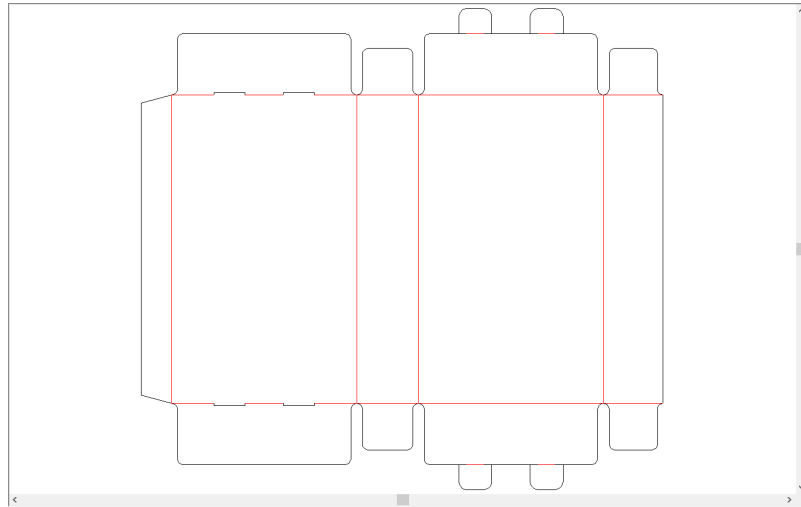
X29



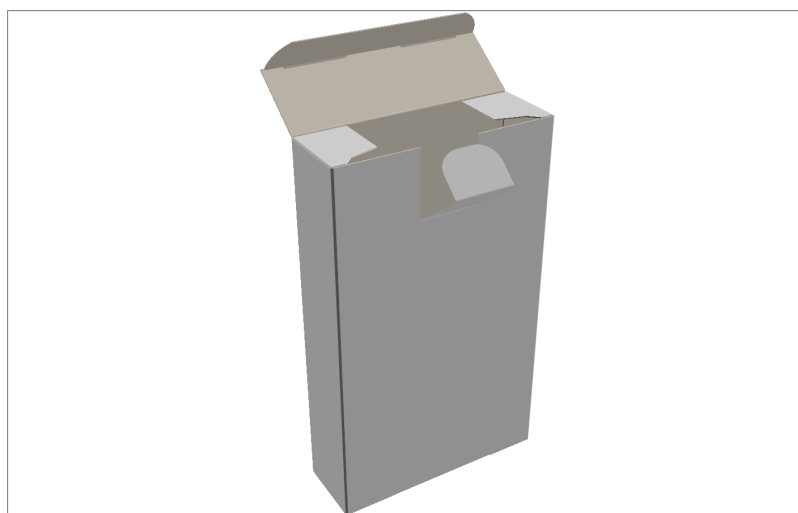
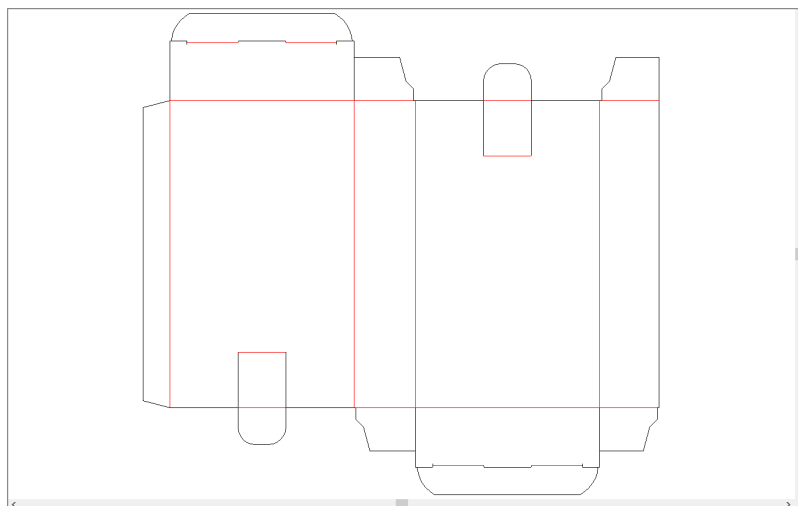
X31



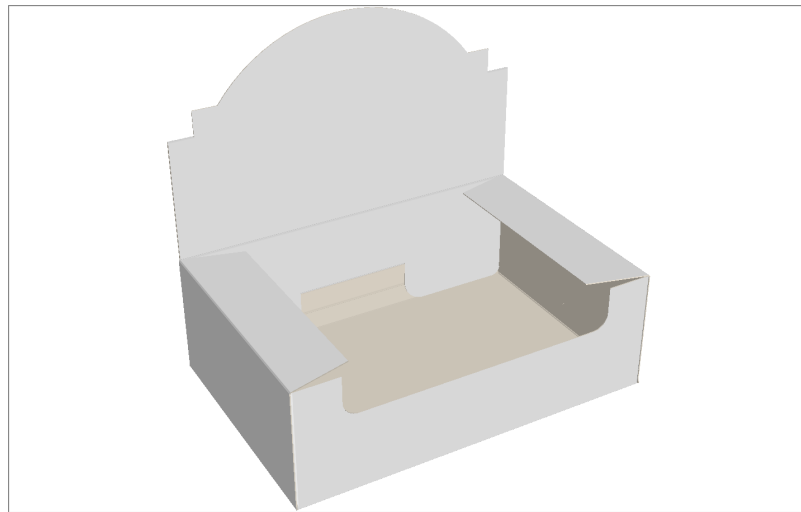
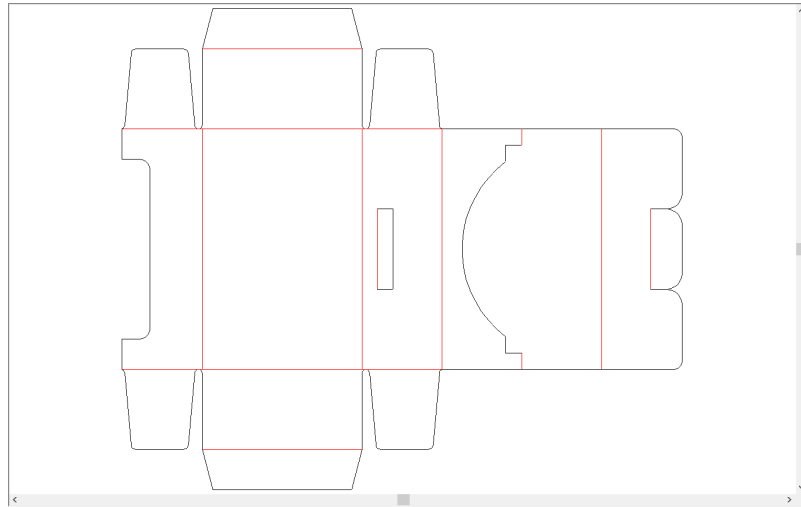
X32



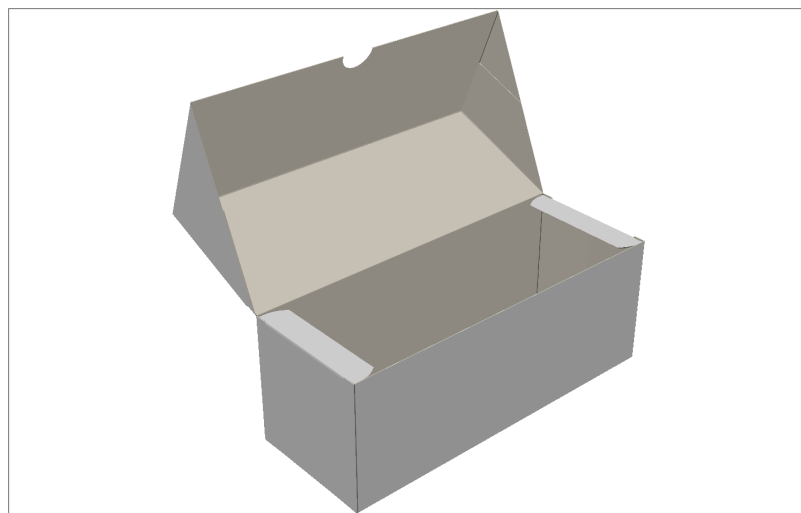
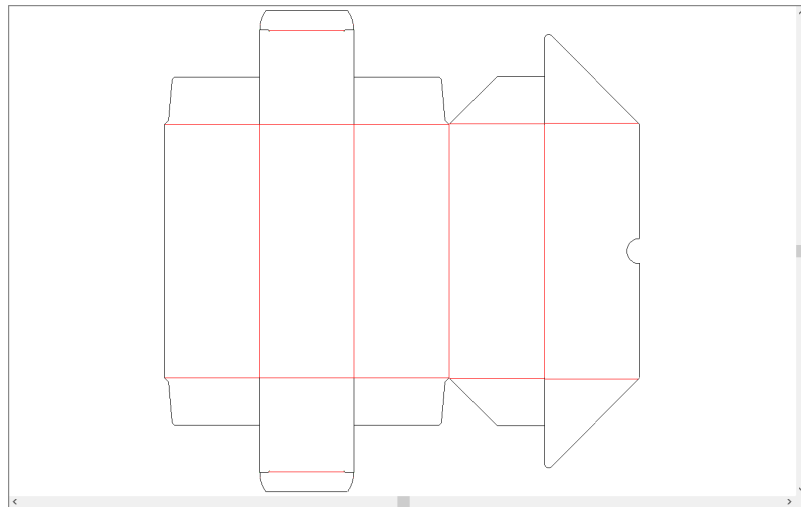
X33



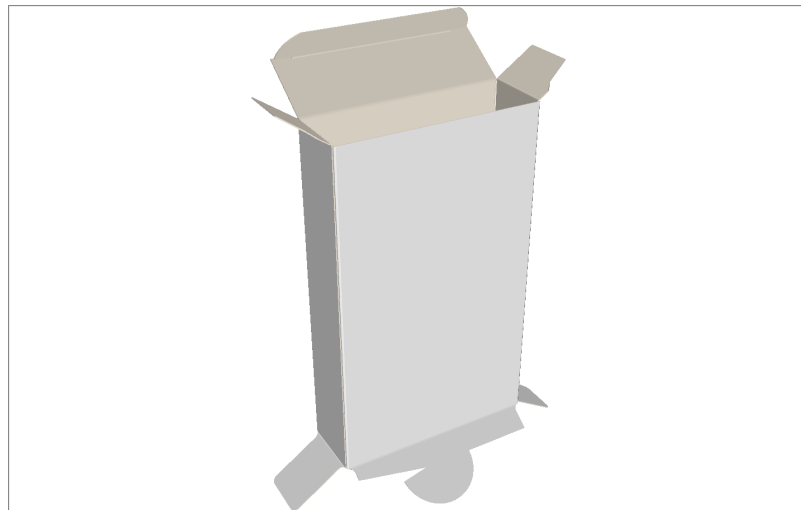
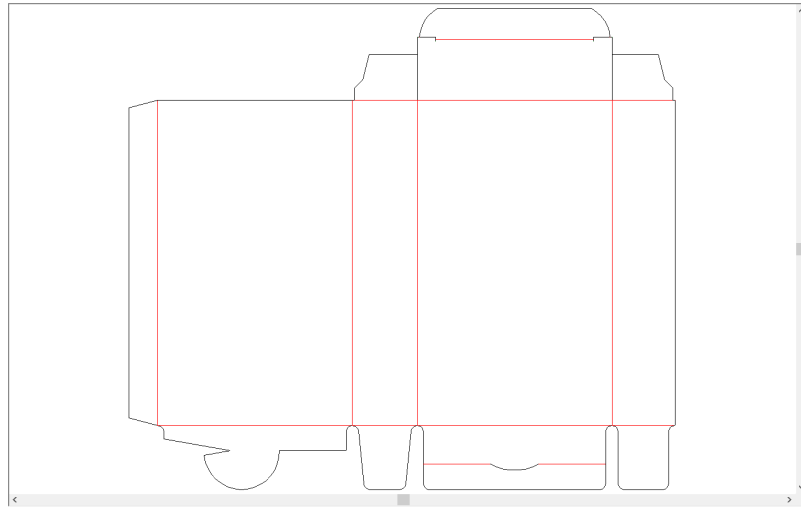
X35



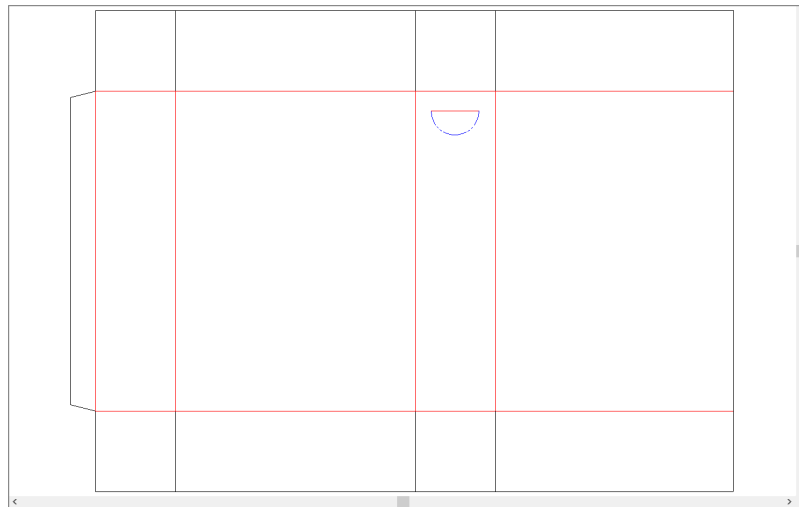
X36



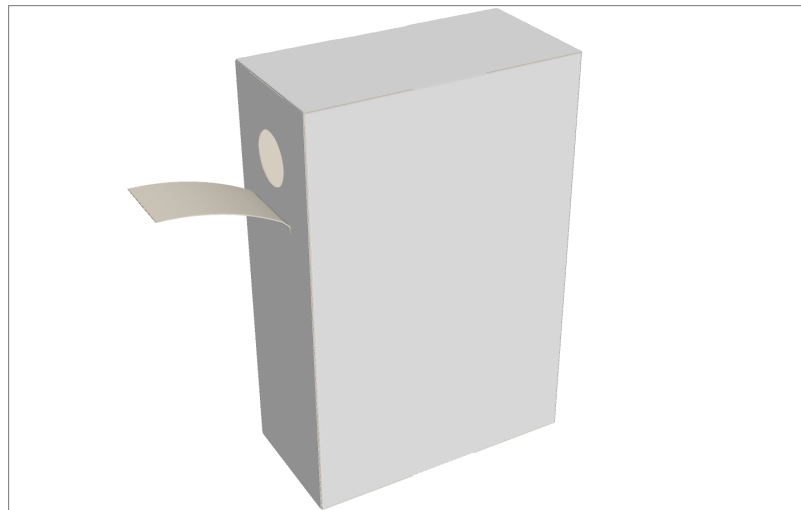
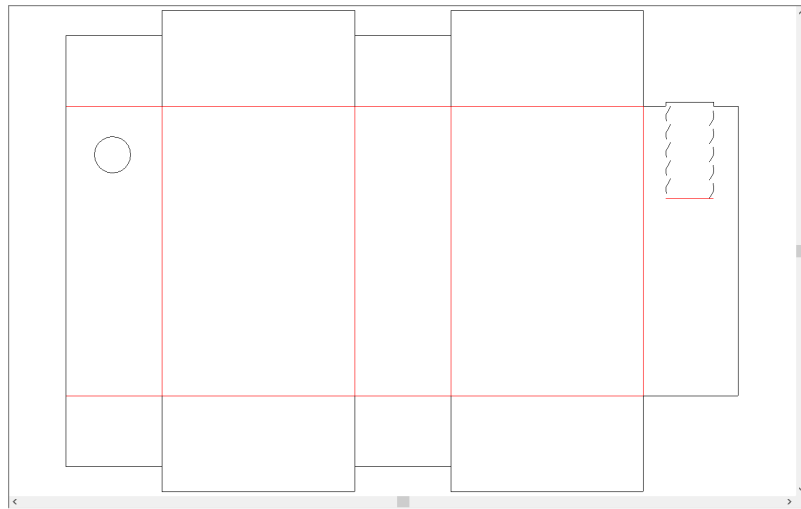
X38



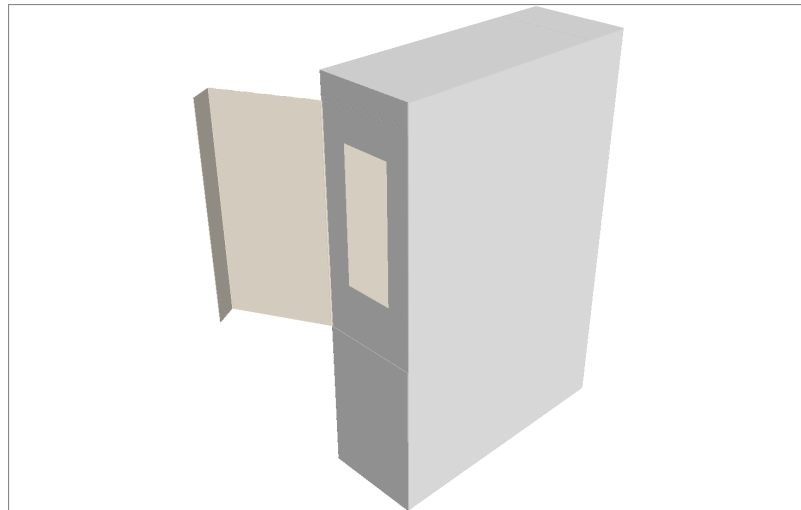
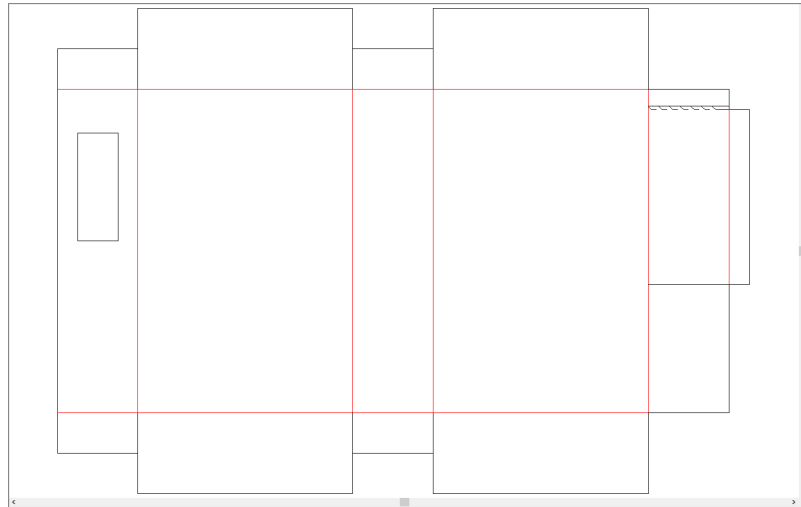
X42



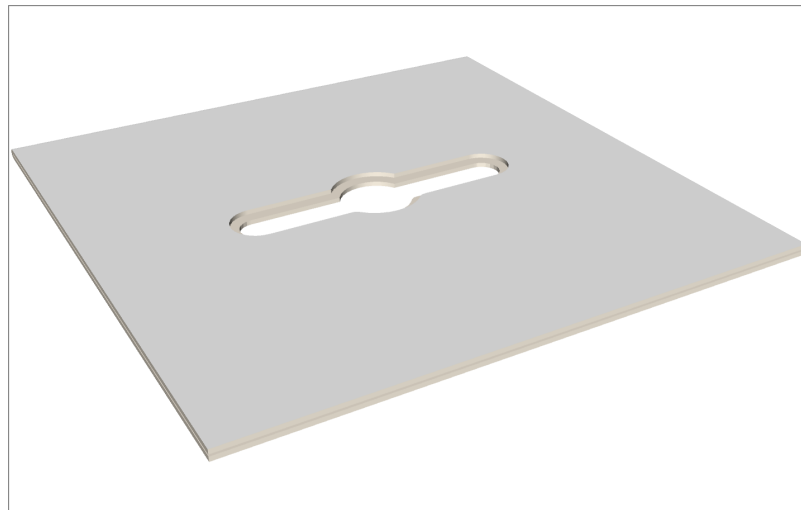
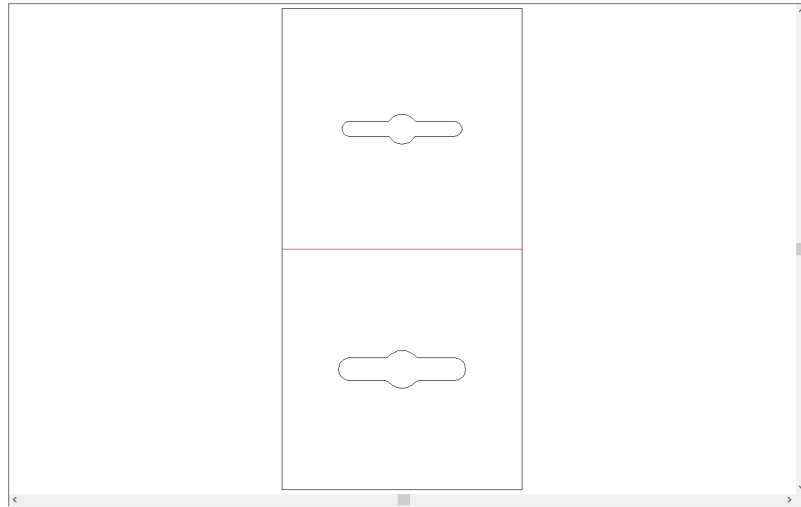
X44



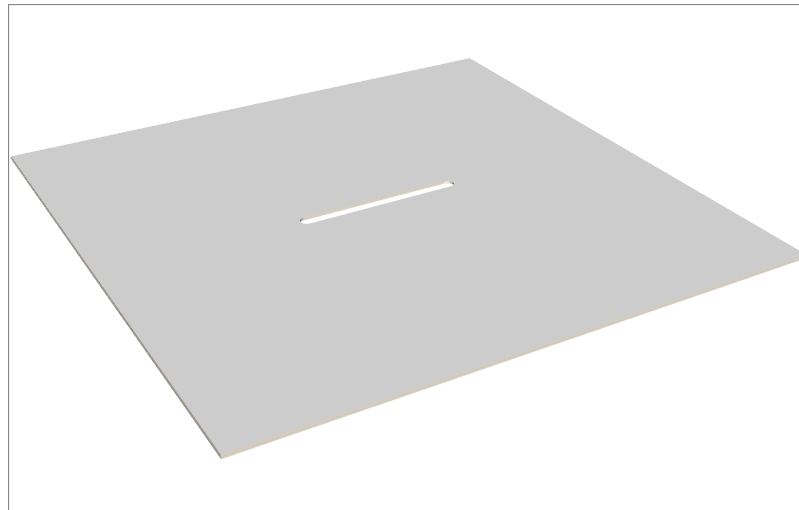
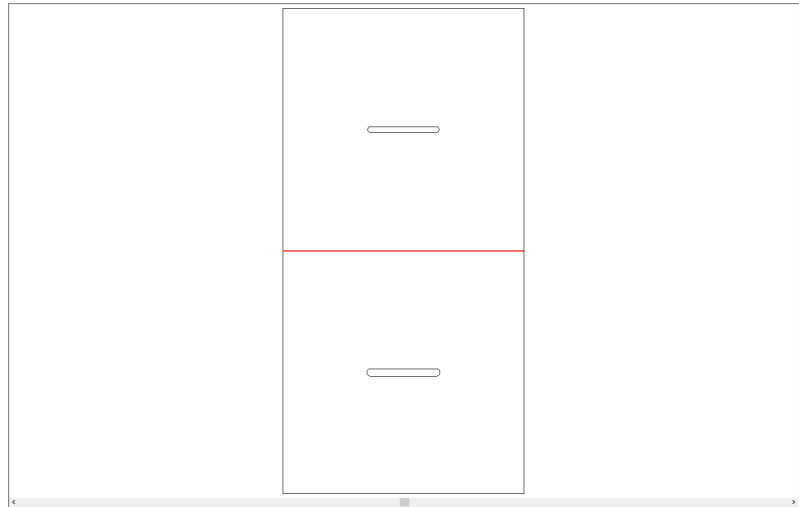
X45



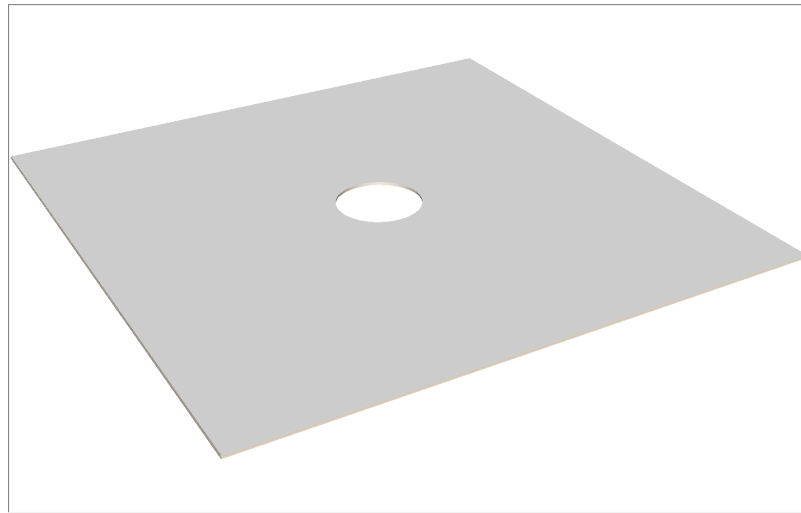
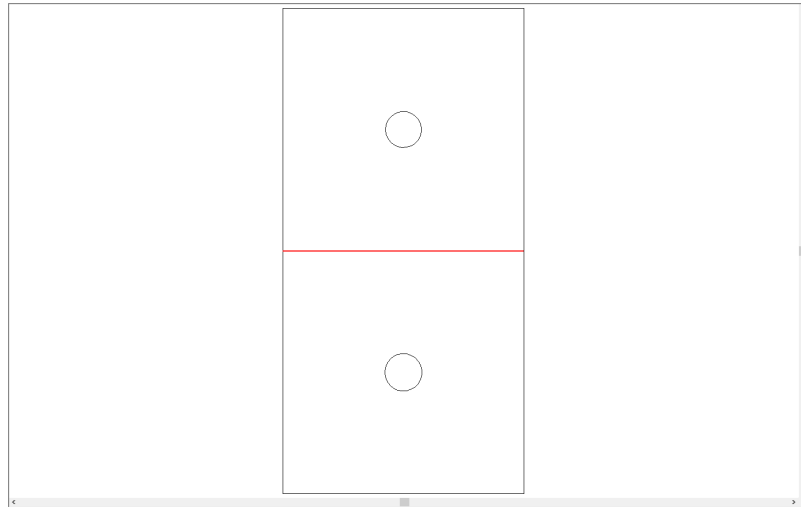
X62



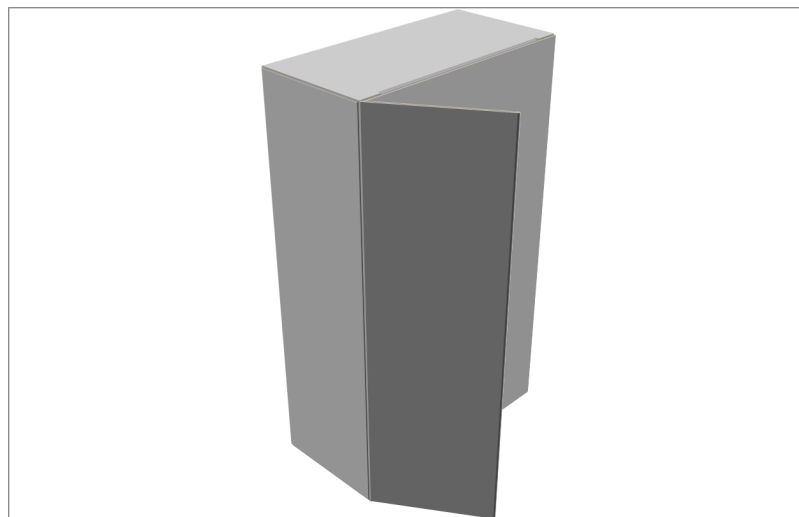
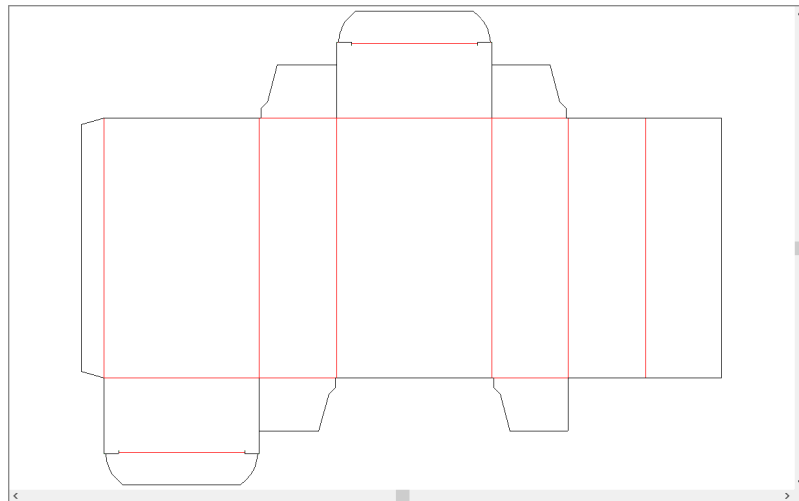
X64



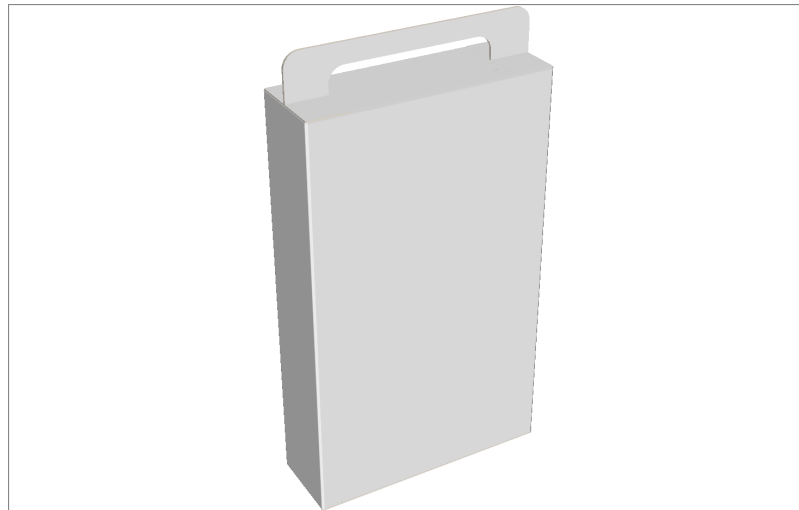
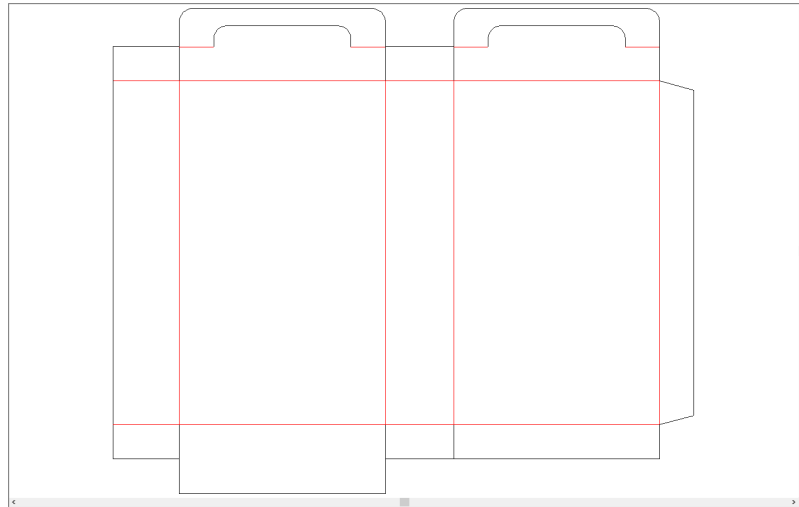
X66



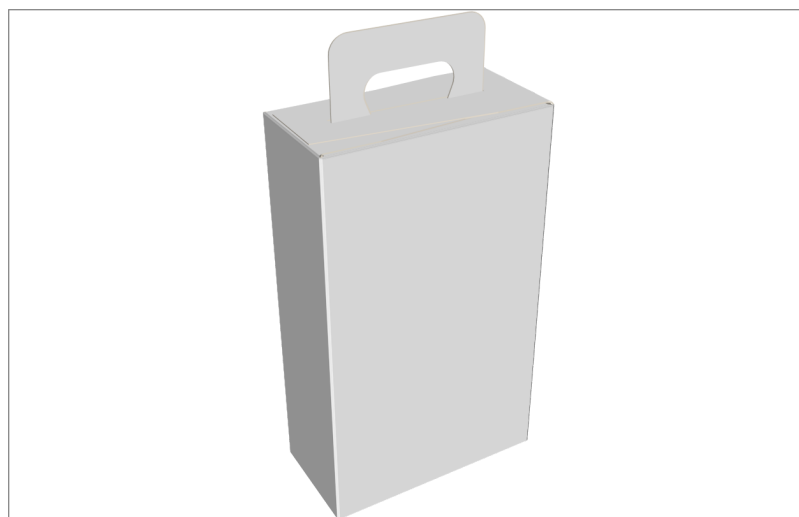
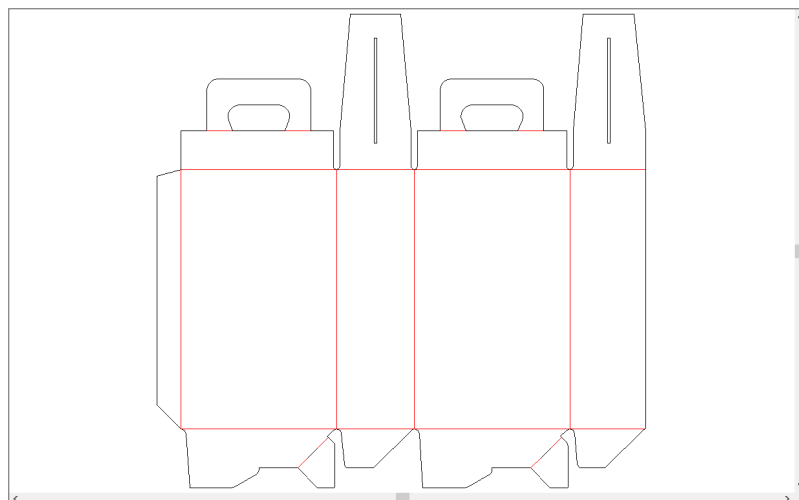
X72



X81



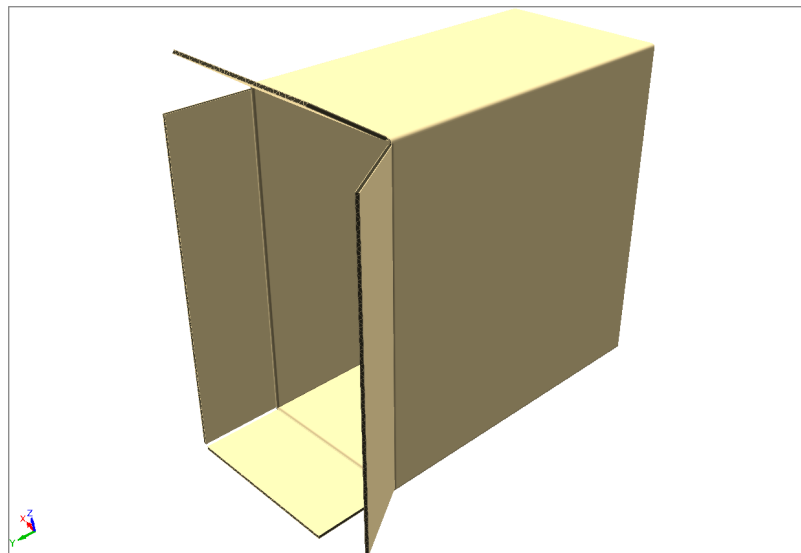
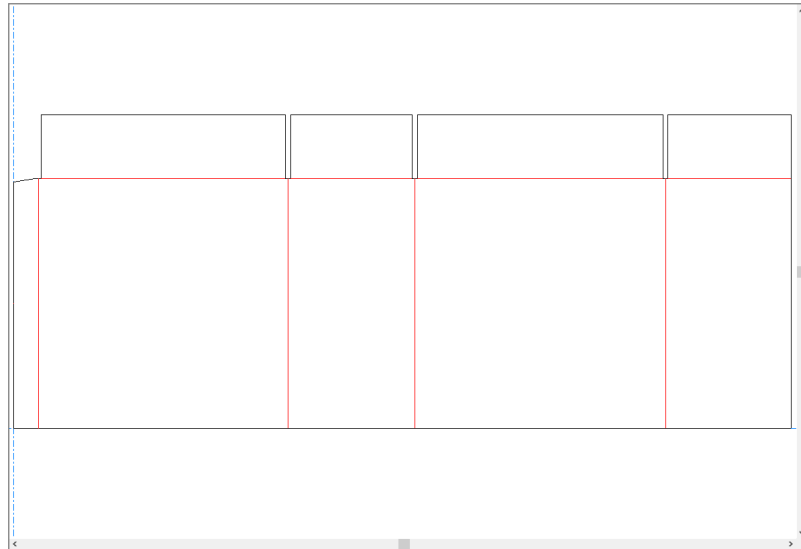
X84



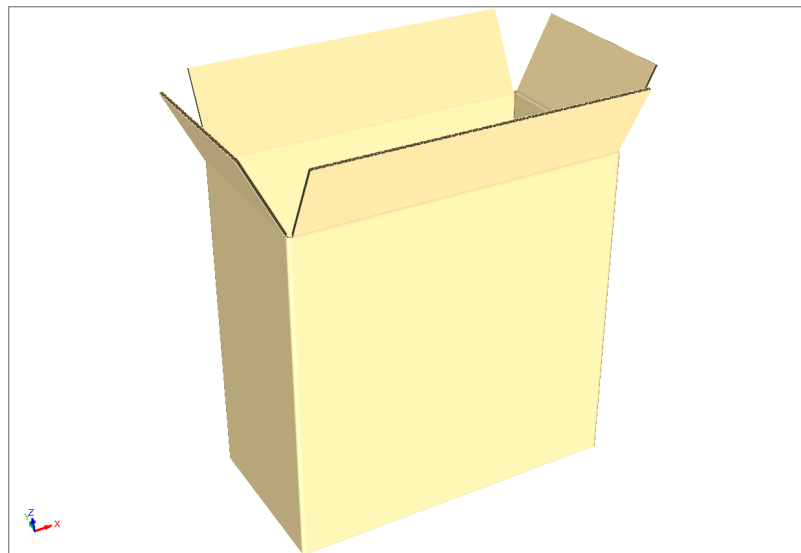
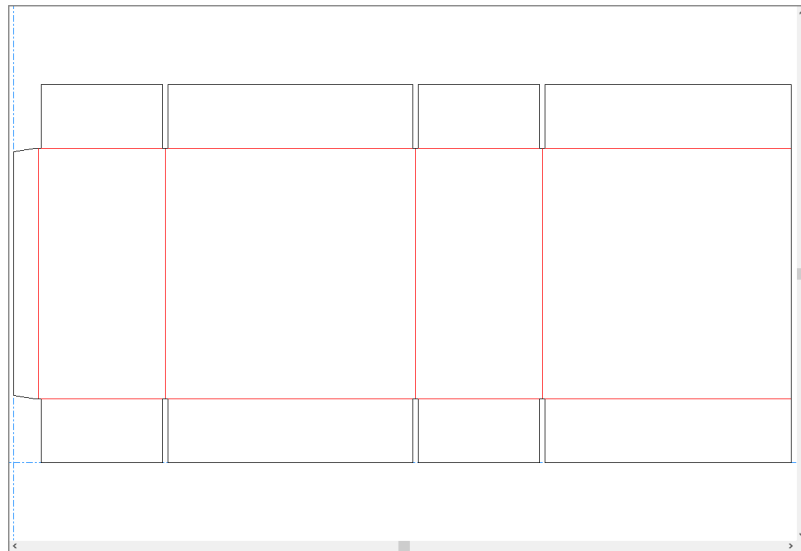
FEFCO

0200 Series

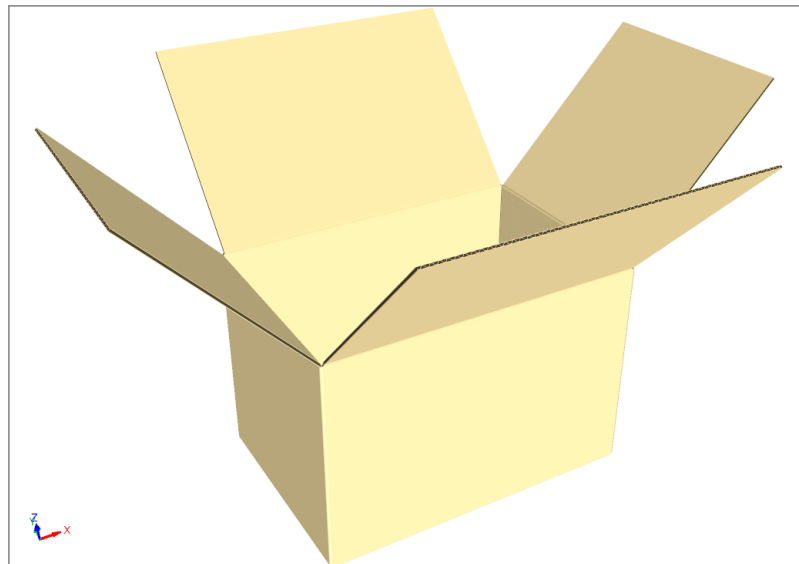
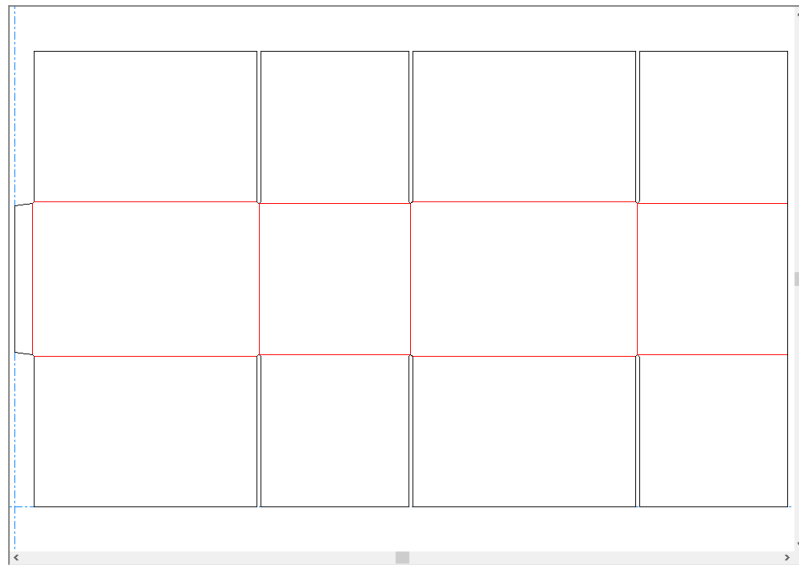
0200



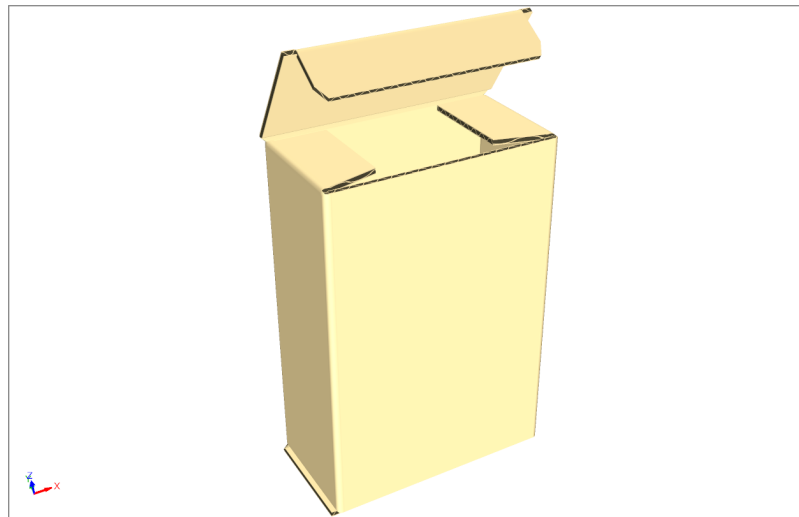
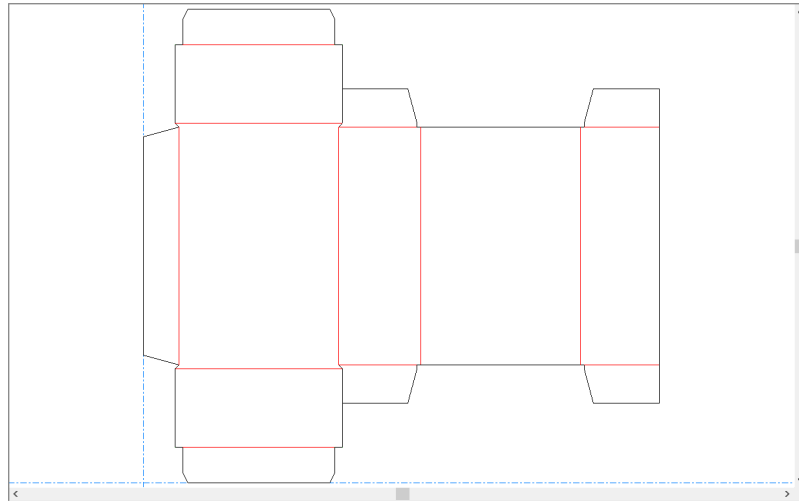
0201



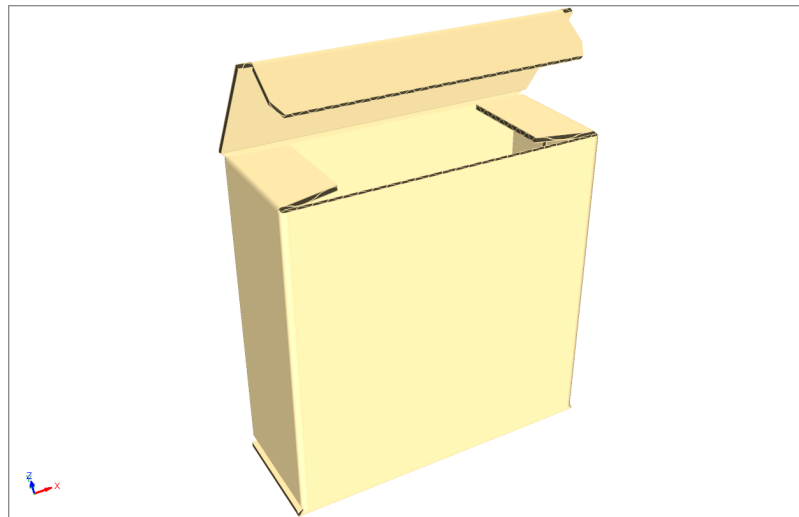
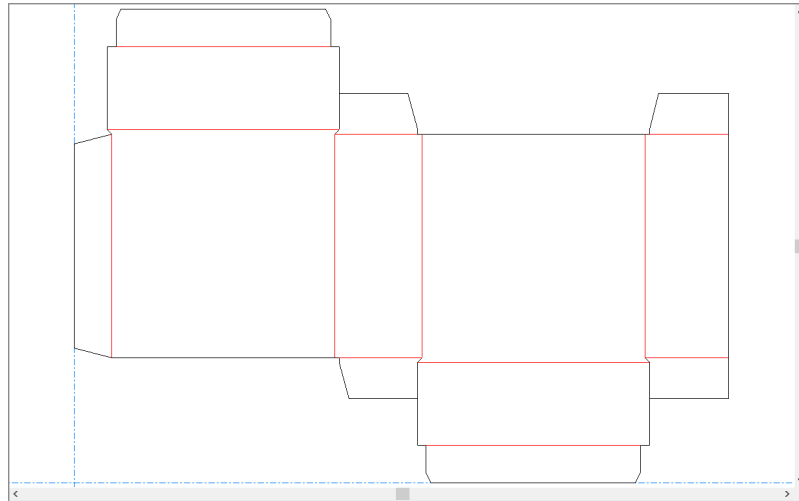
0203



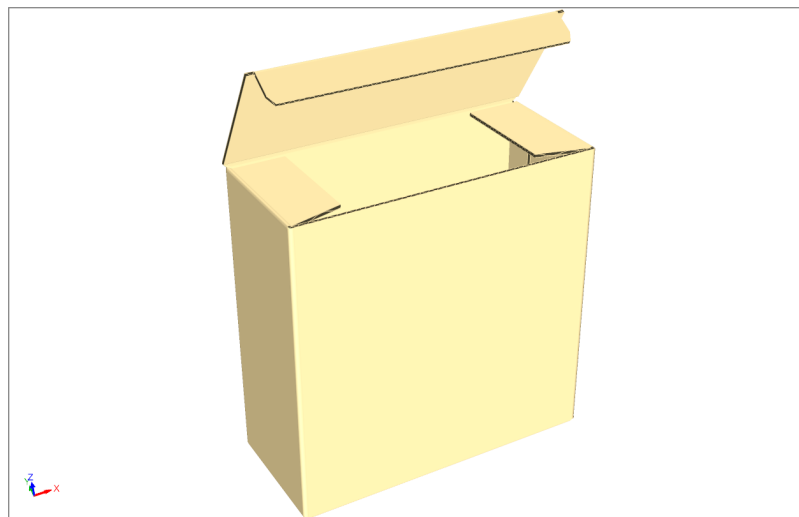
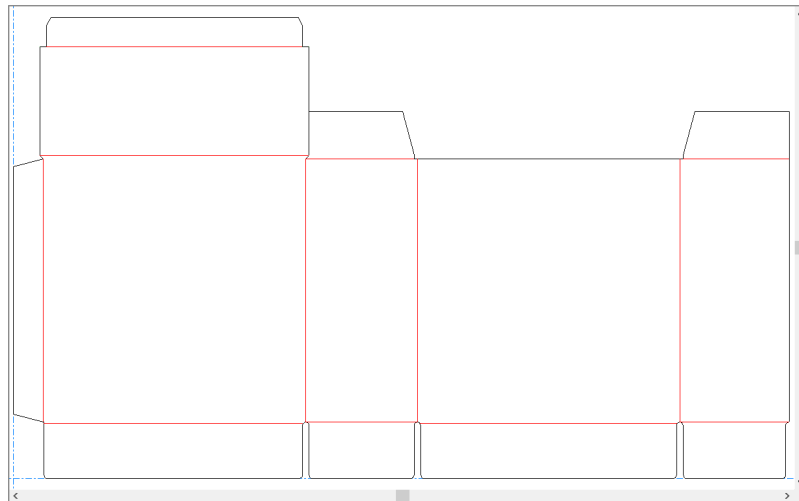
0210



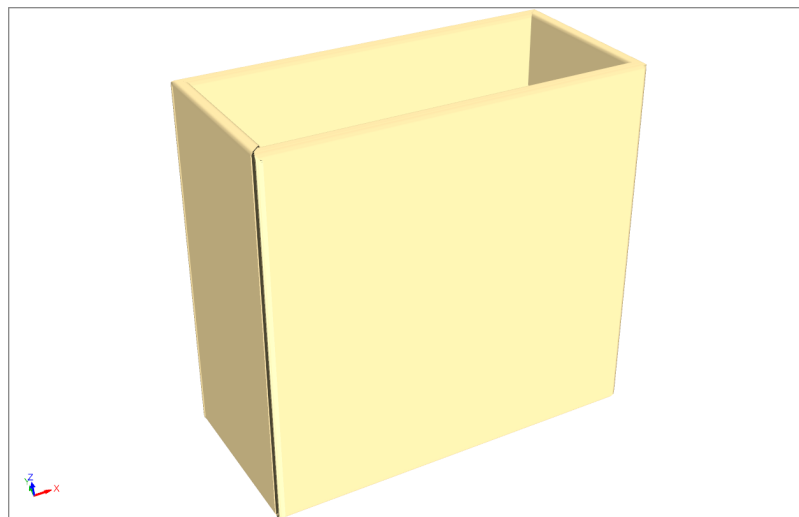
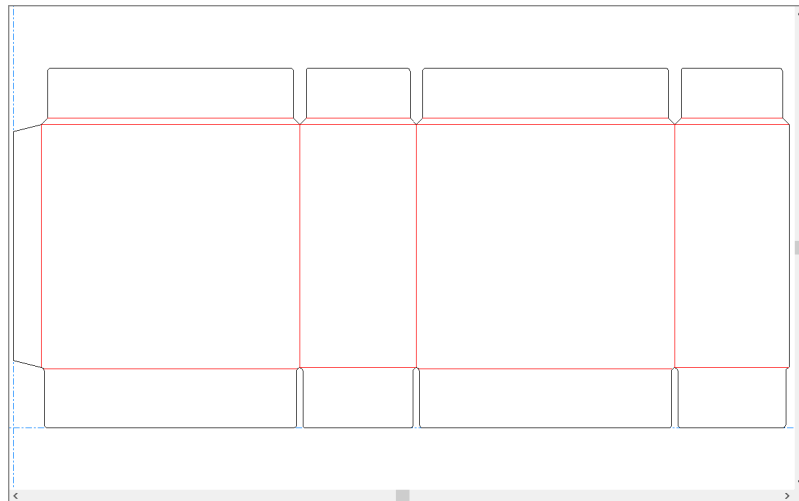
0211



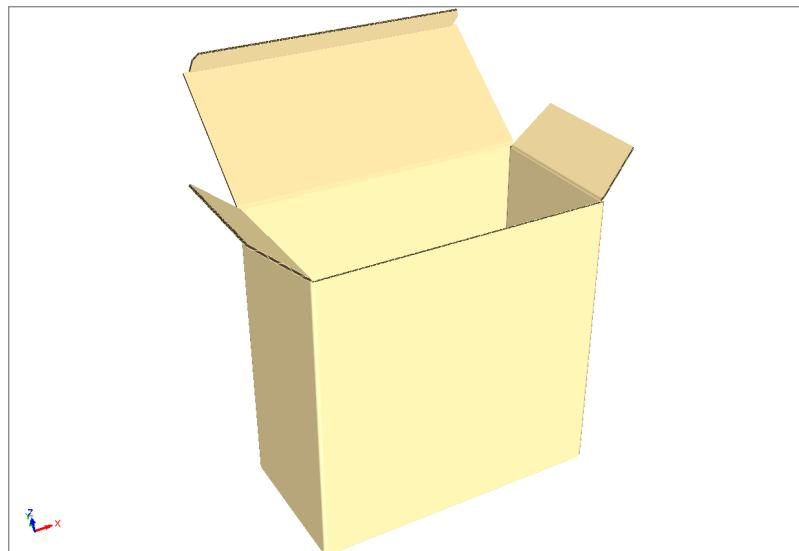
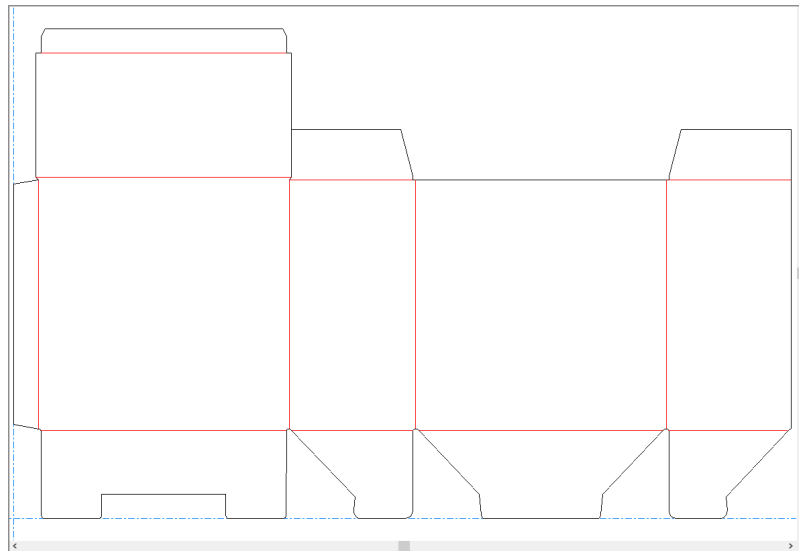
0212



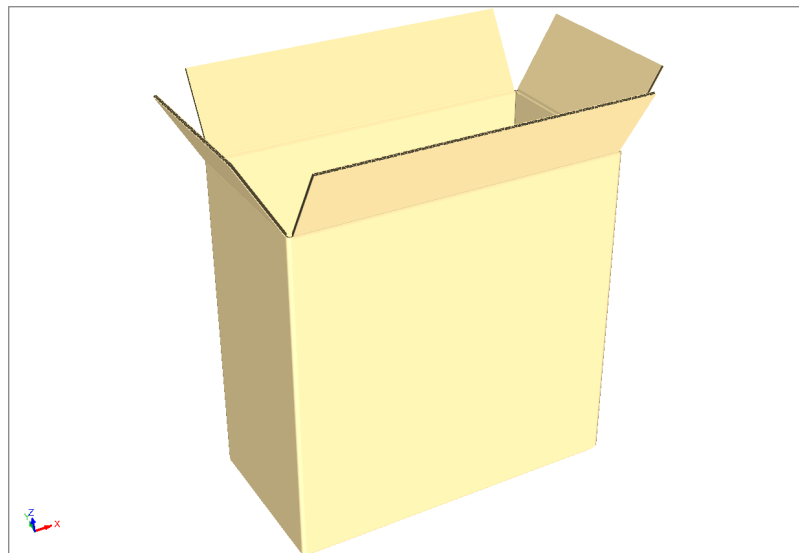
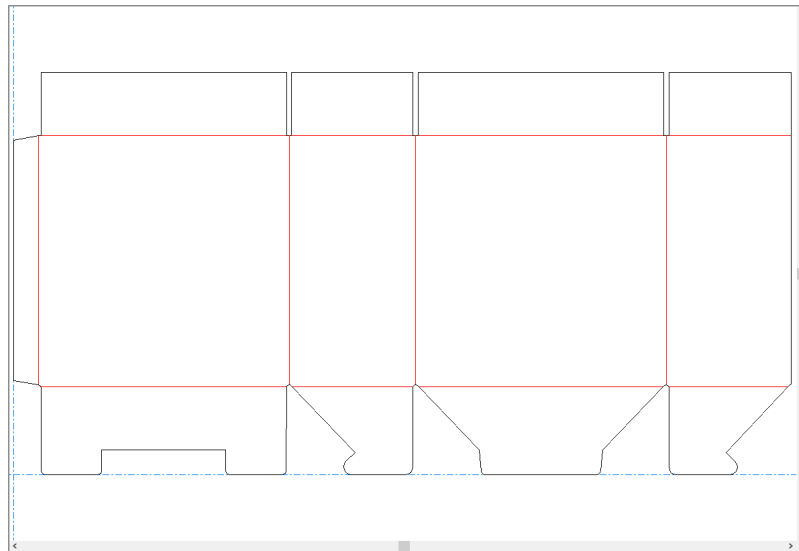
0214



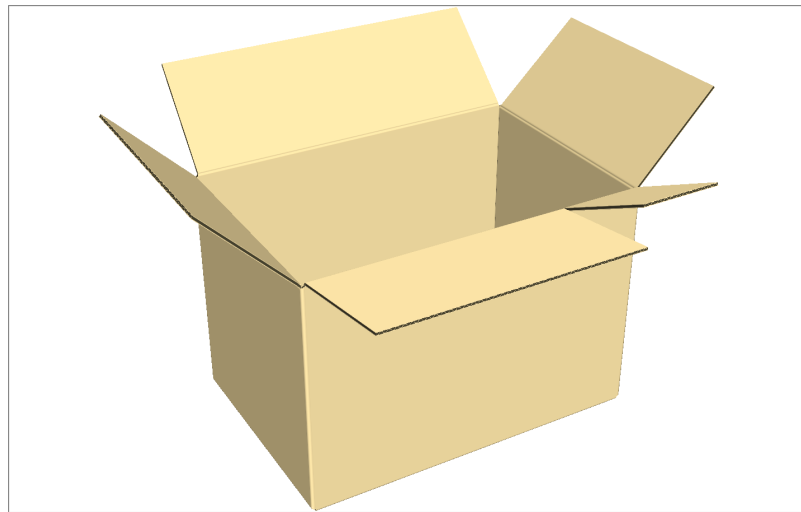
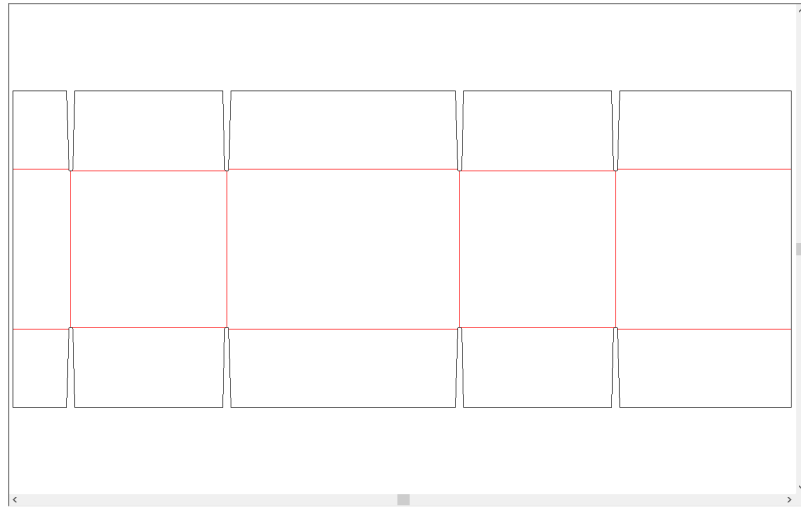
0215



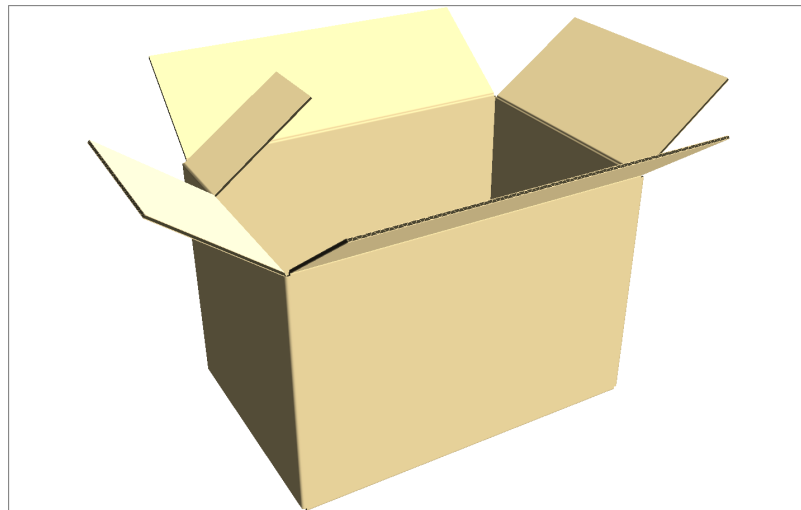
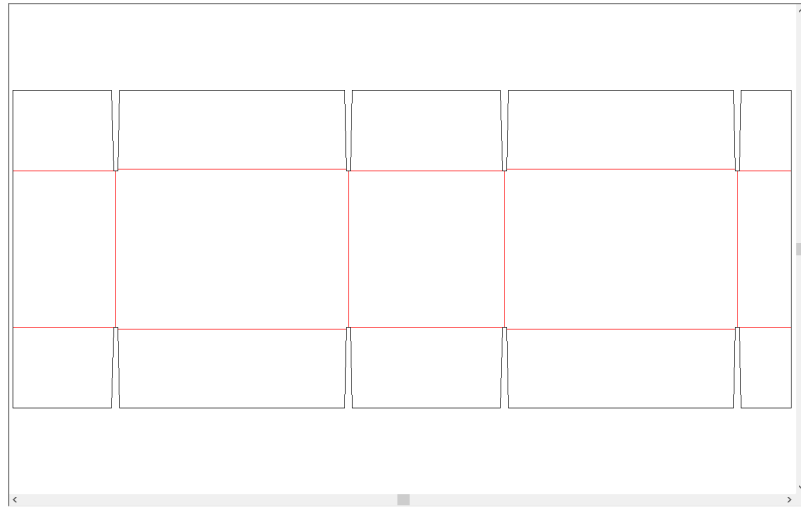
0216



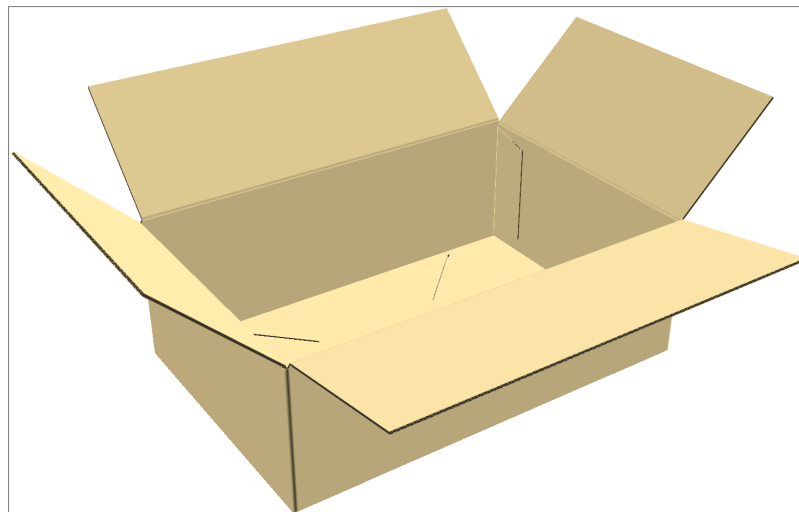
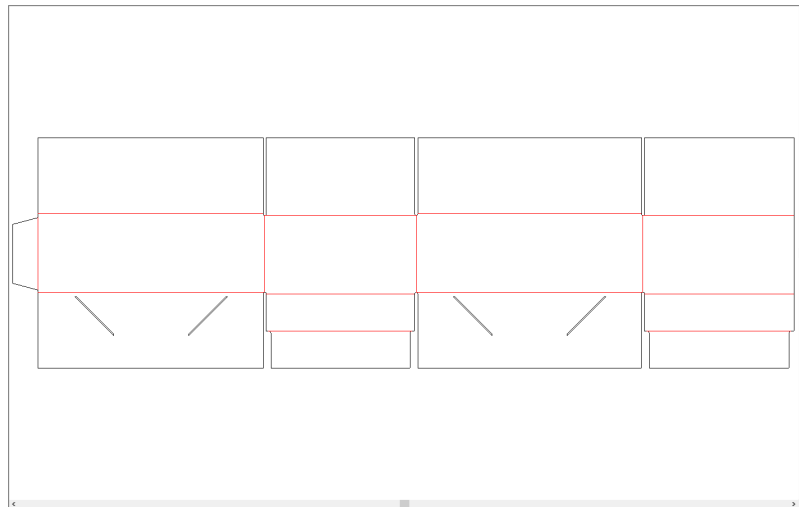
0230



0231

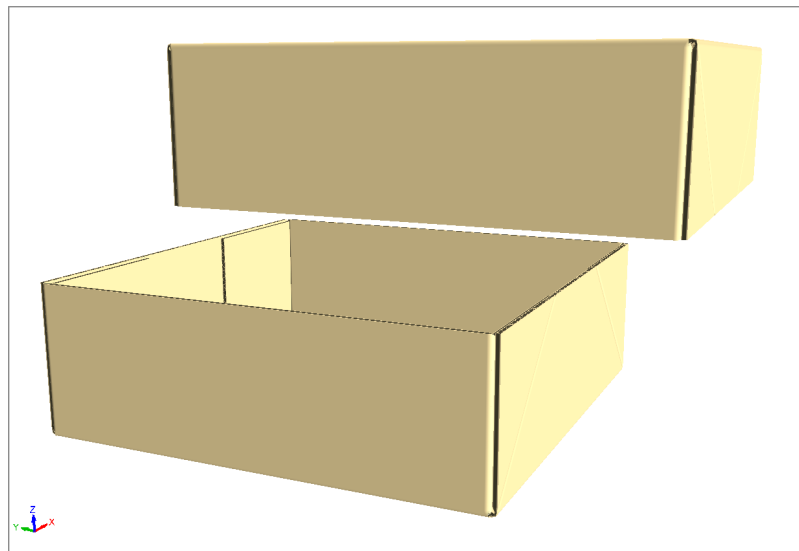
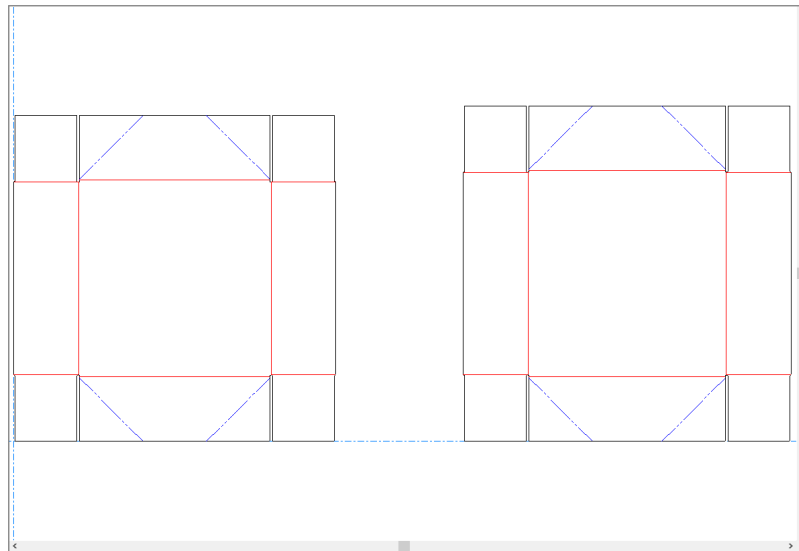


0232

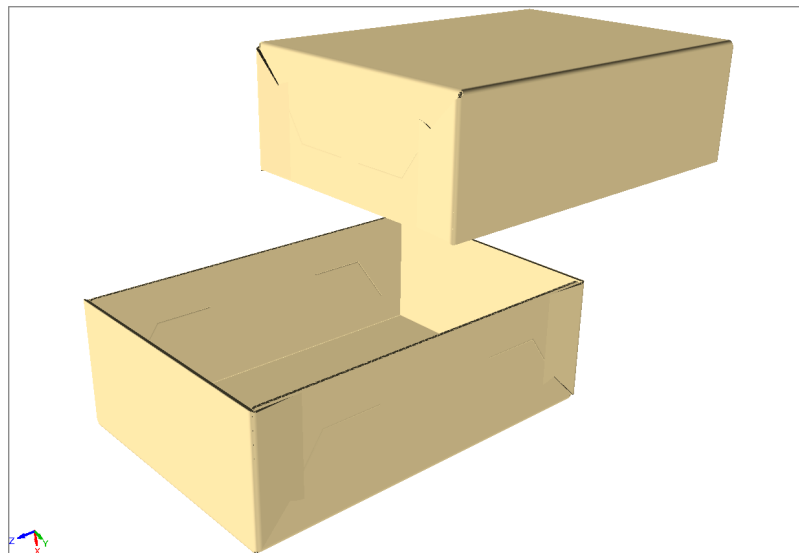
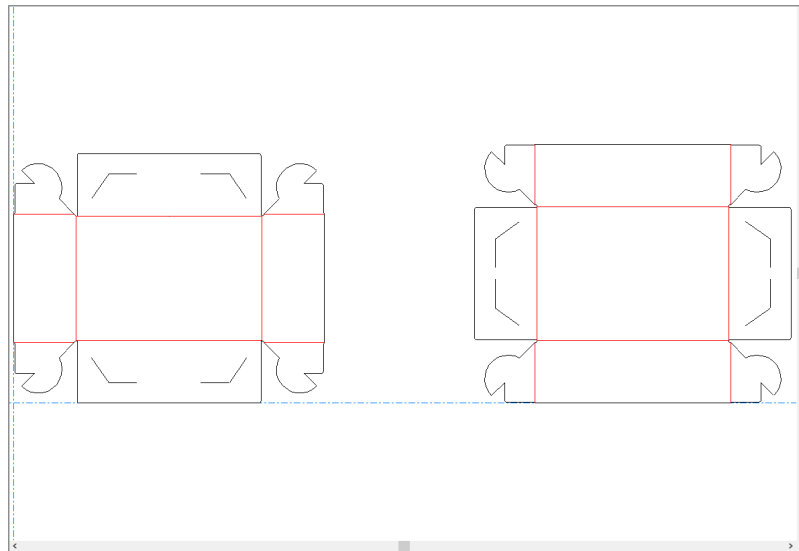


0300 Series

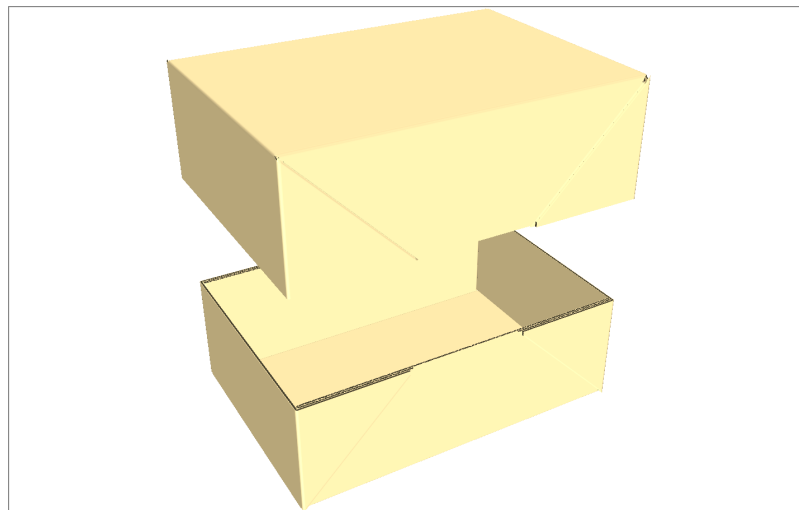
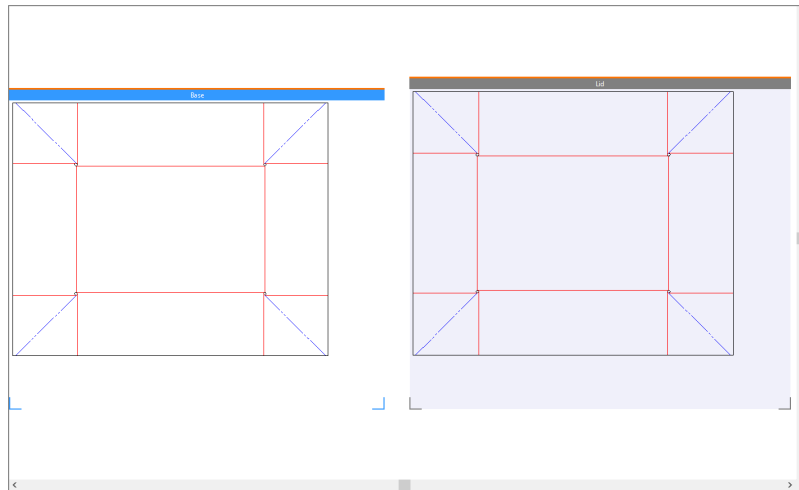
0304



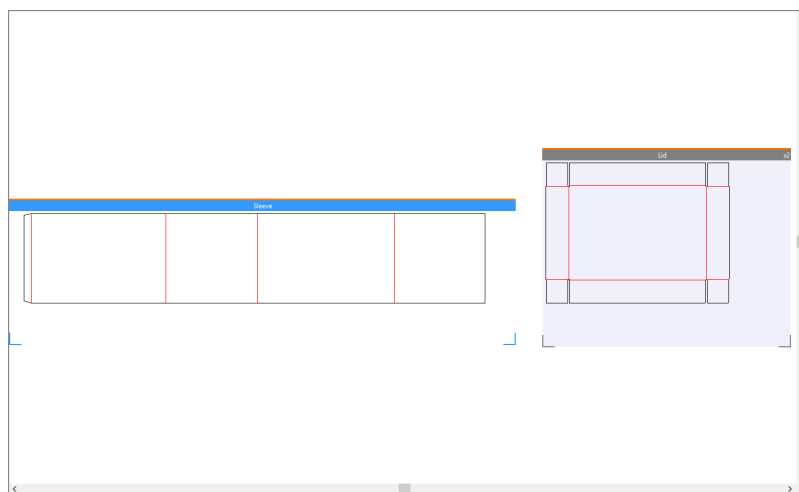
0307

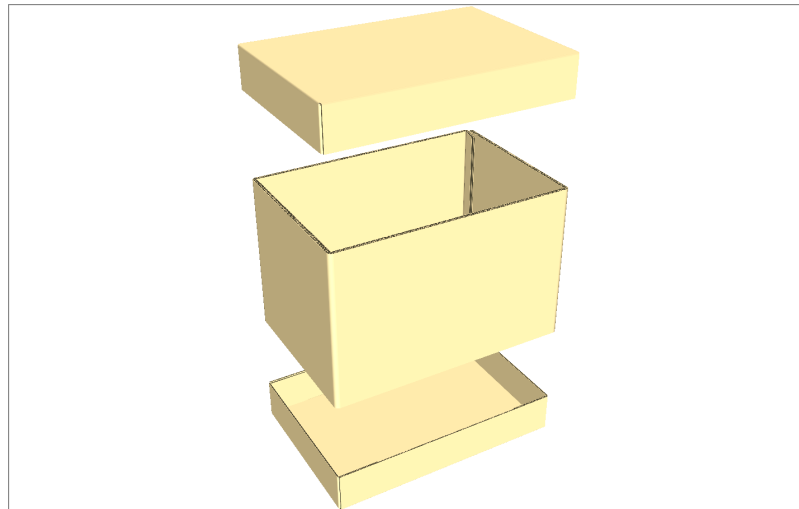


0309 Canvas

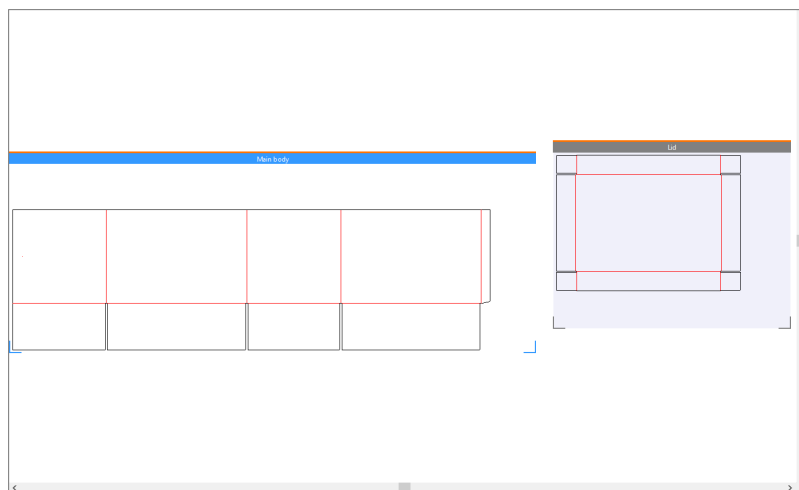


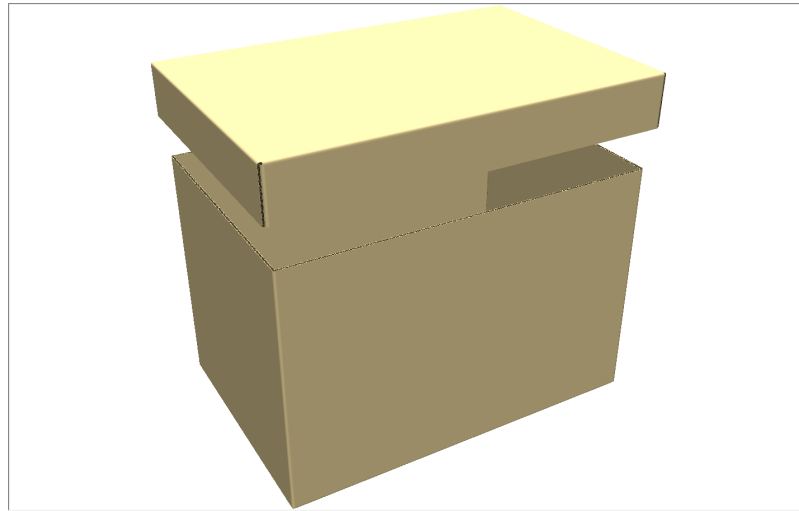
0310 Canvas



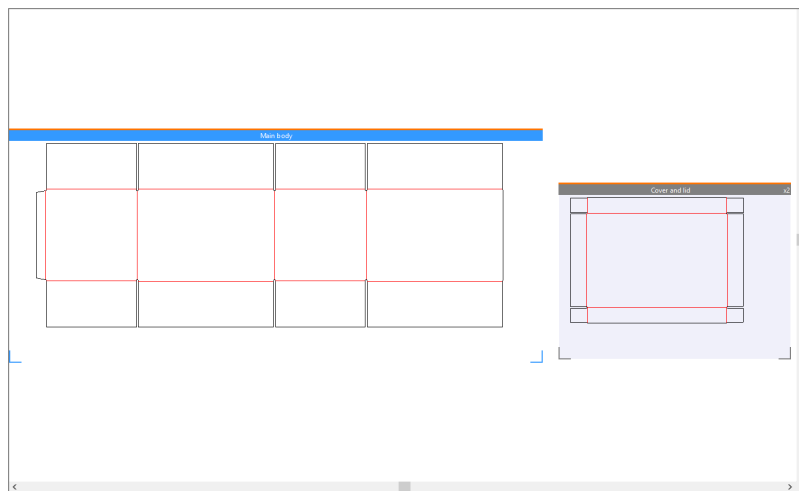


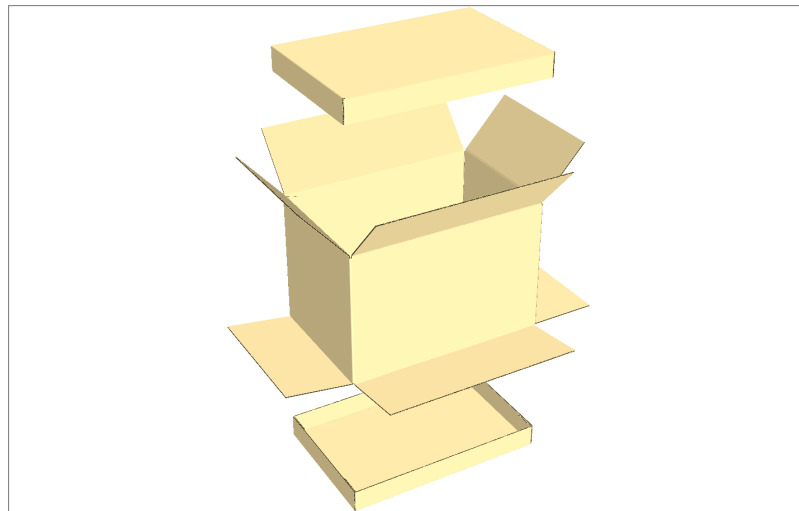
0312 Canvas



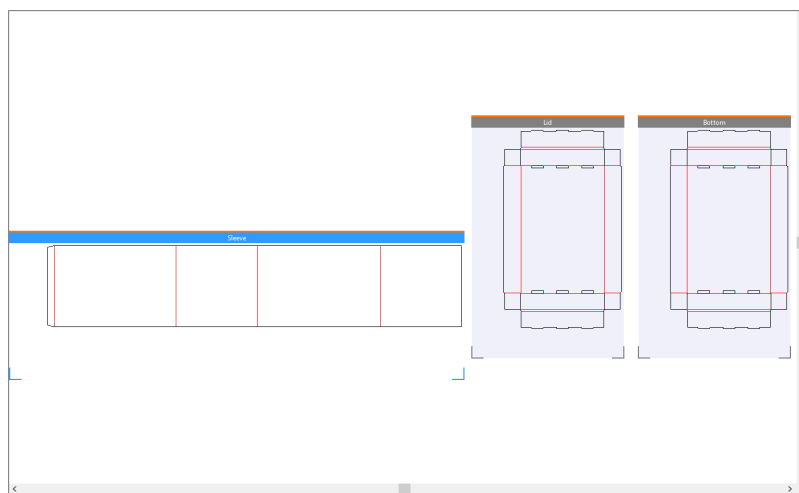


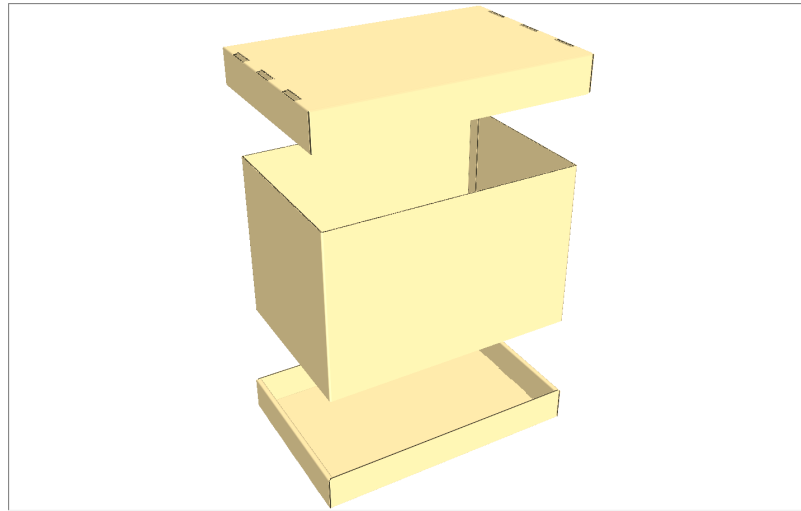
0313 Canvas



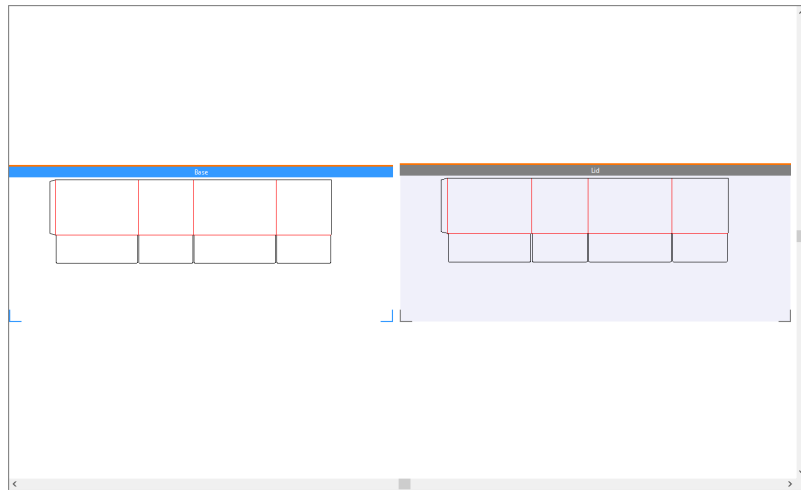


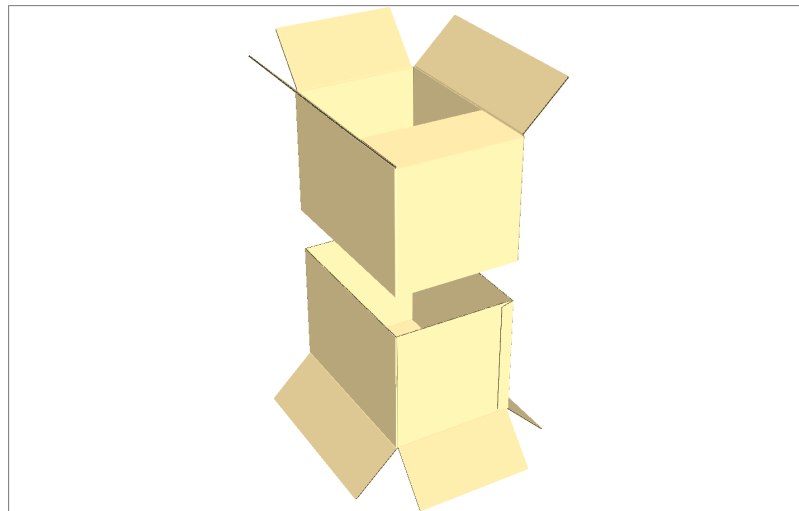
0314 Canvas



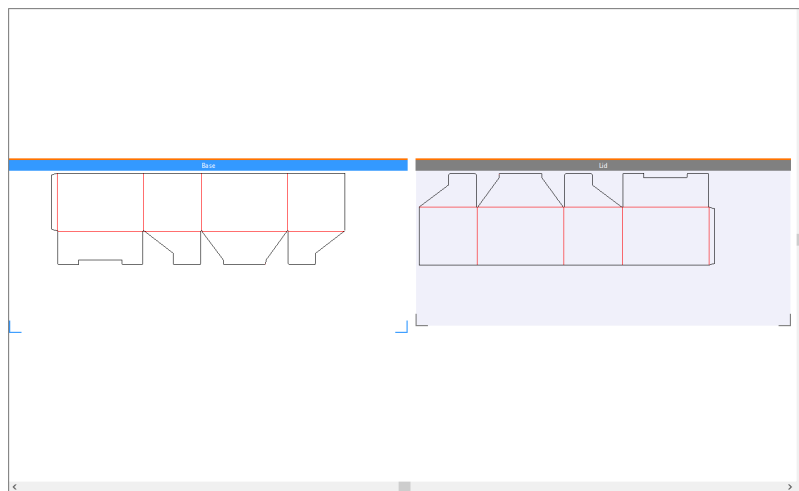


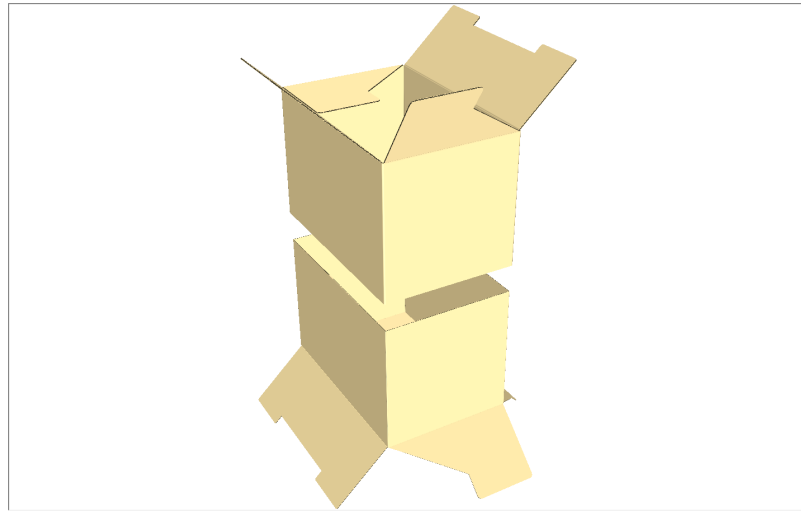
0320 Canvas



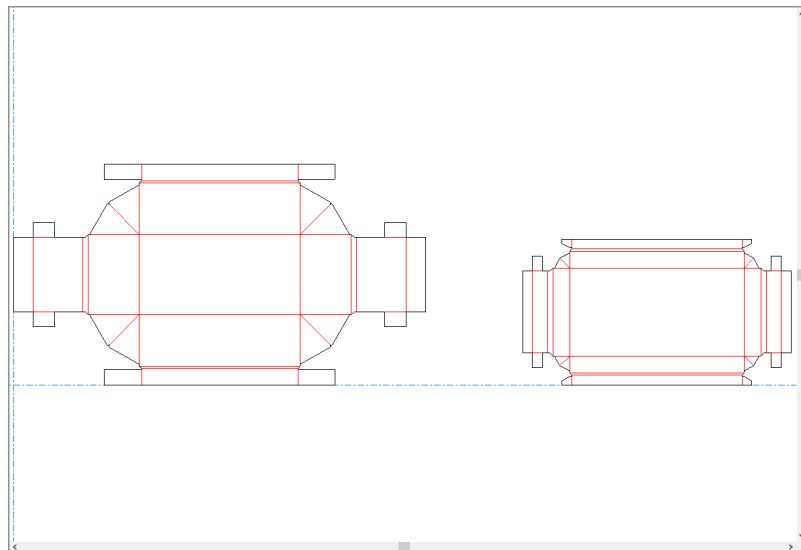


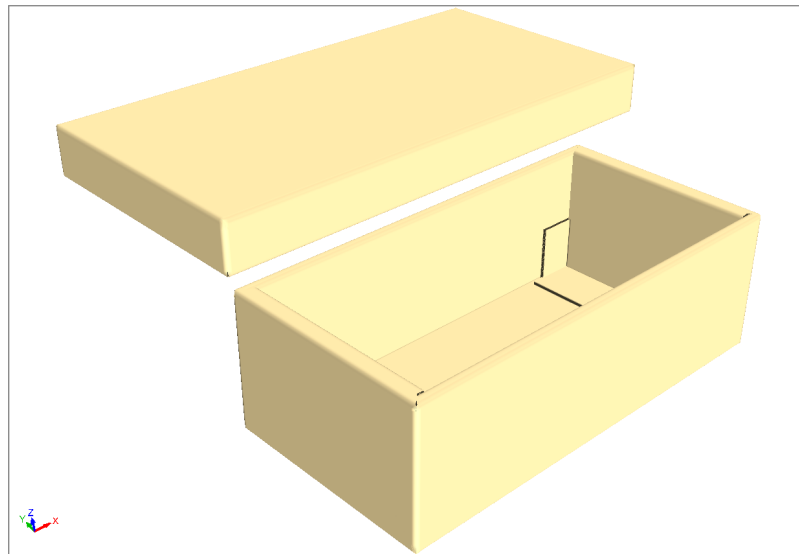
0321 Canvas



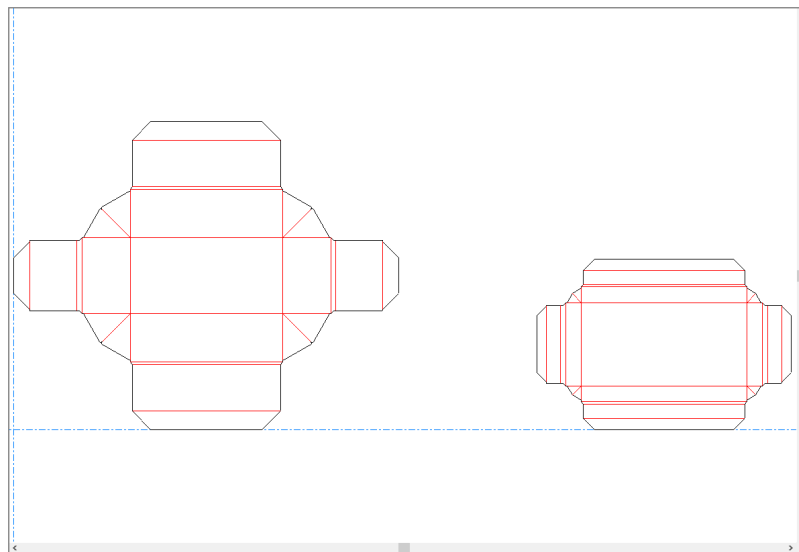


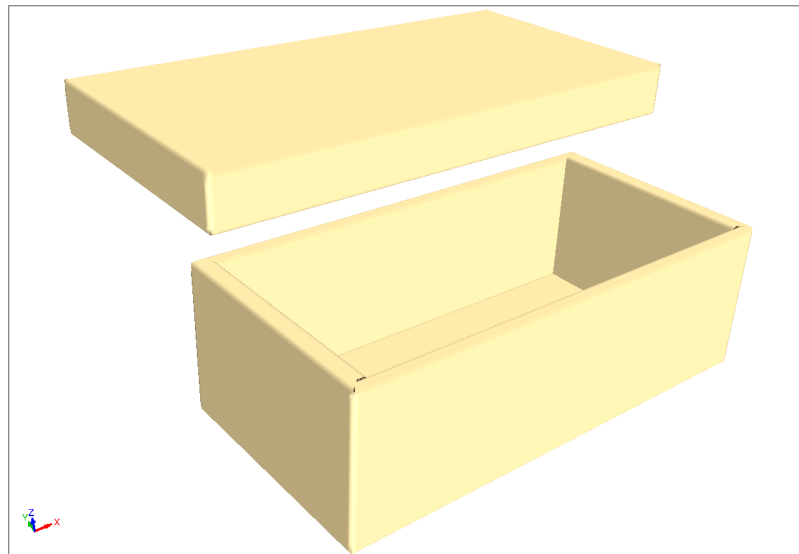
0322



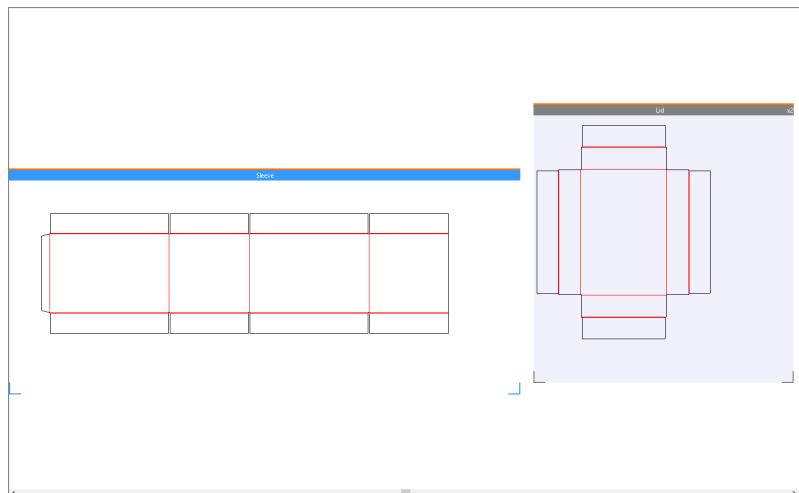


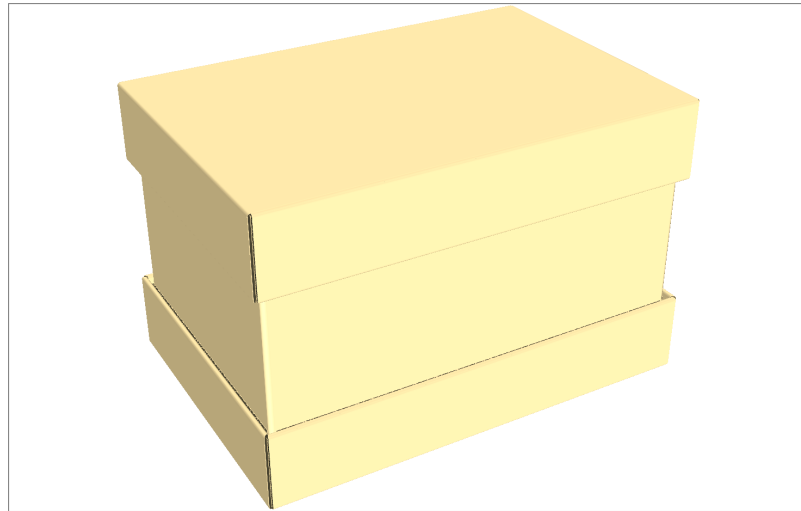
0323



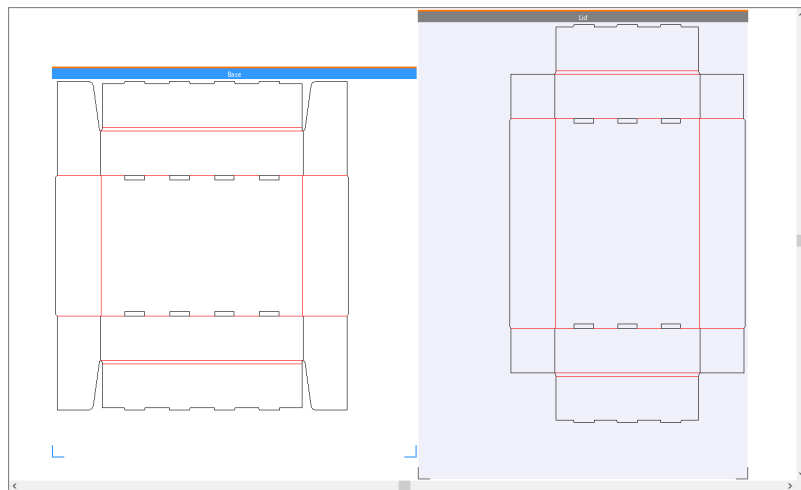


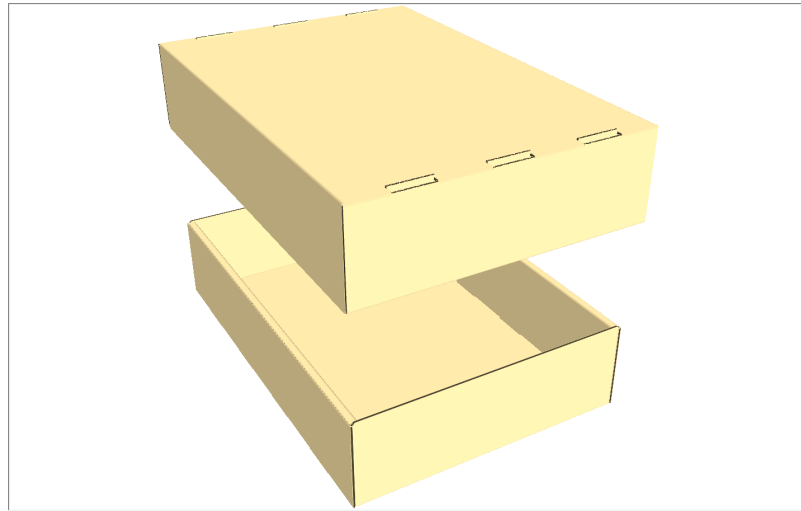
0325 Canvas



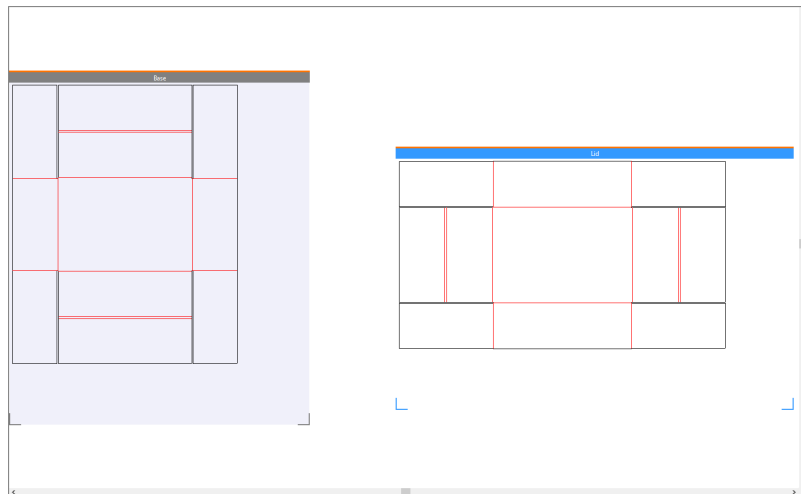


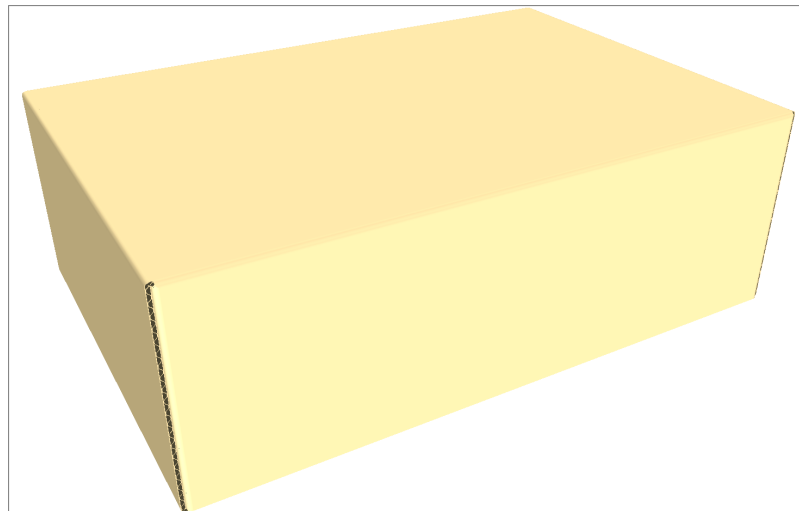
0330 Canvas



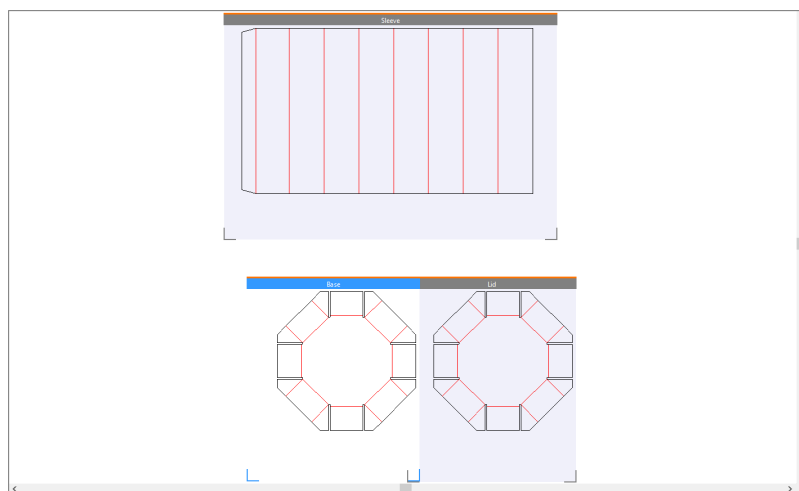


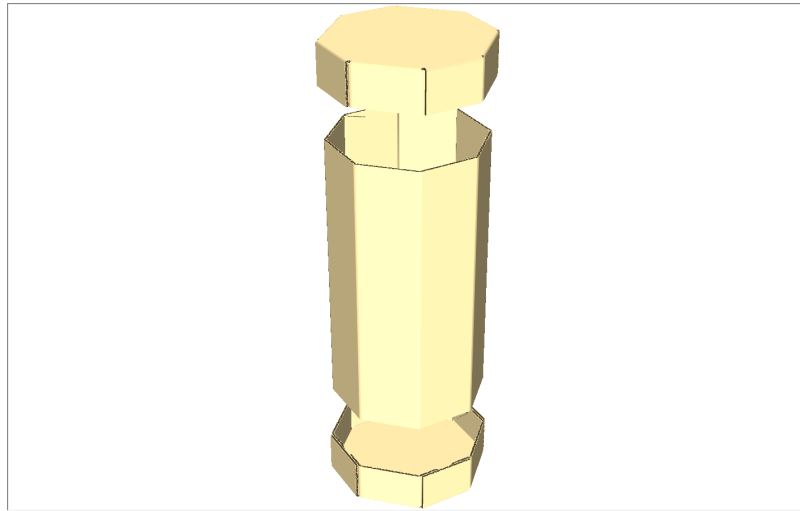
0331 Canvas



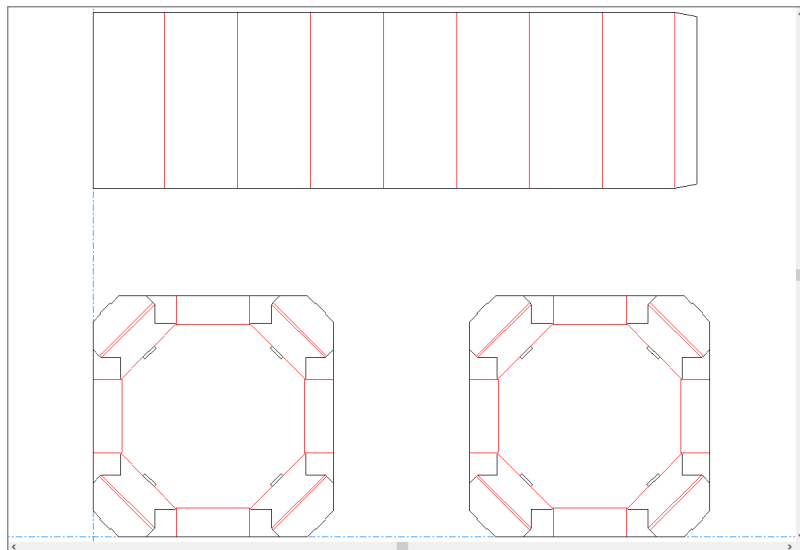


0350 Canvas



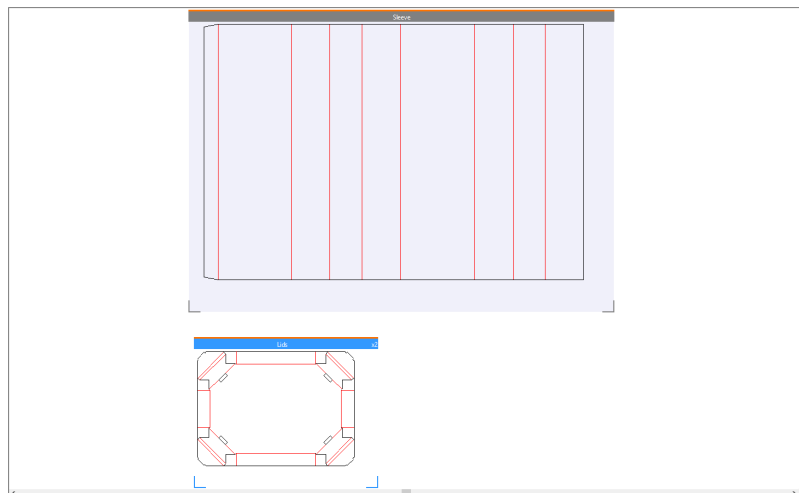


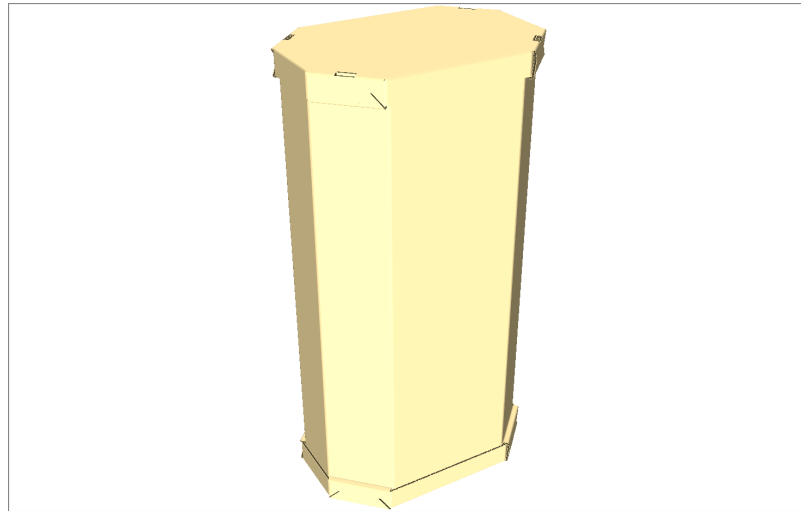
0351





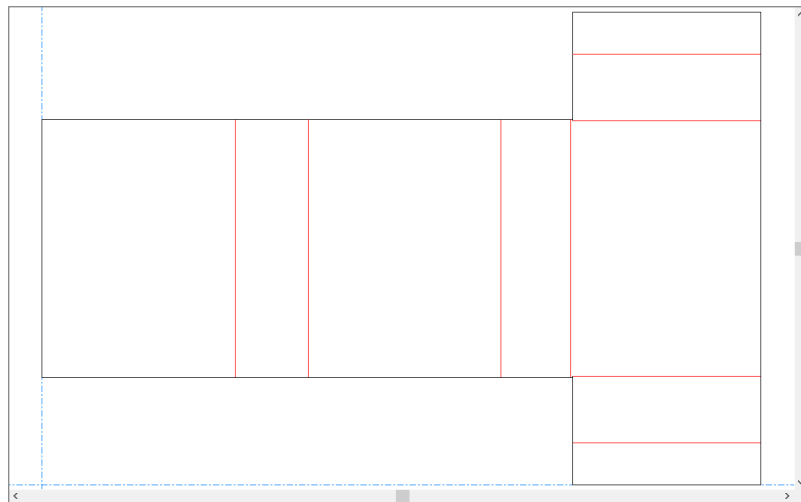
0352 Canvas

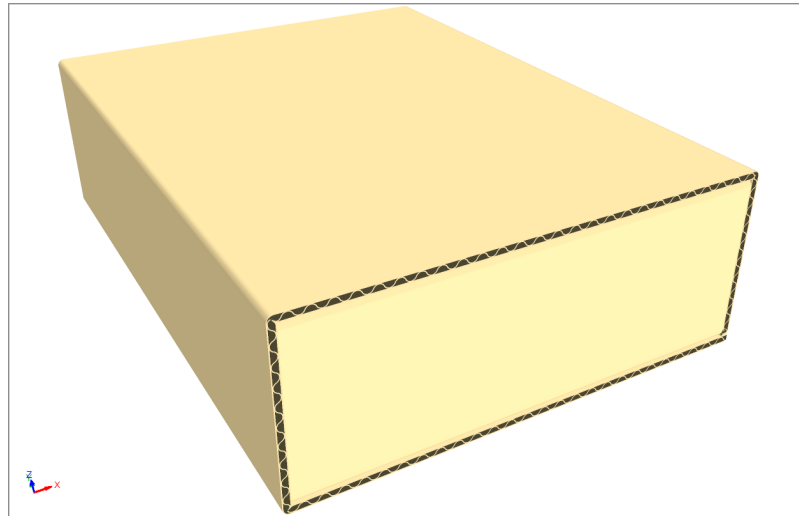




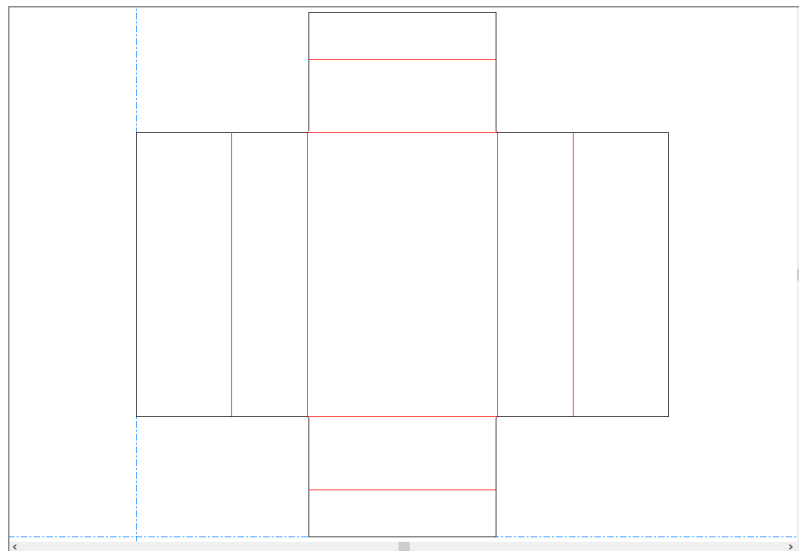
0400 Series

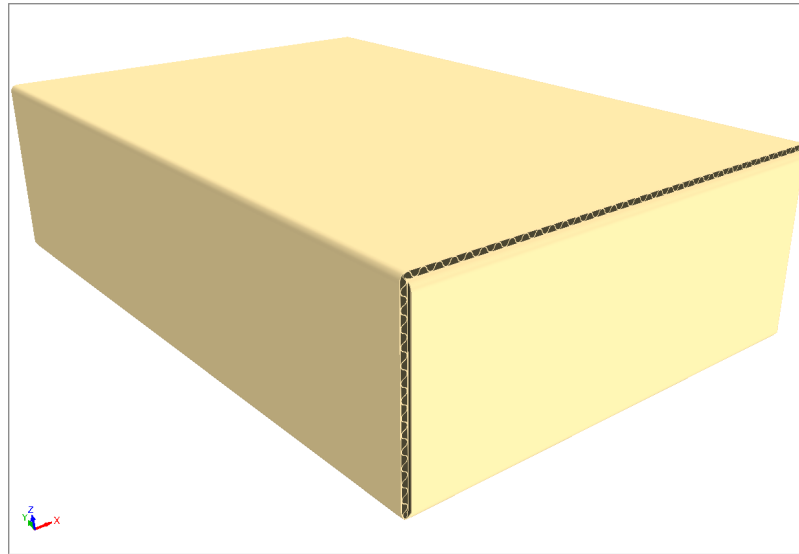
0400



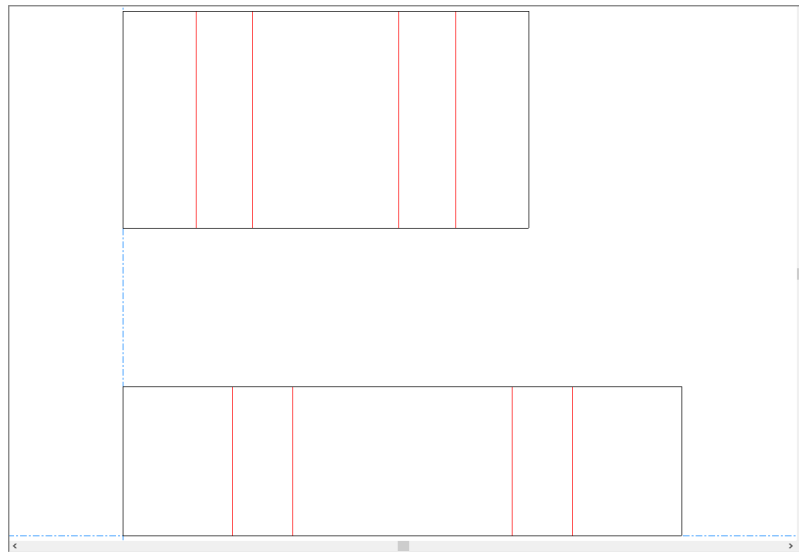


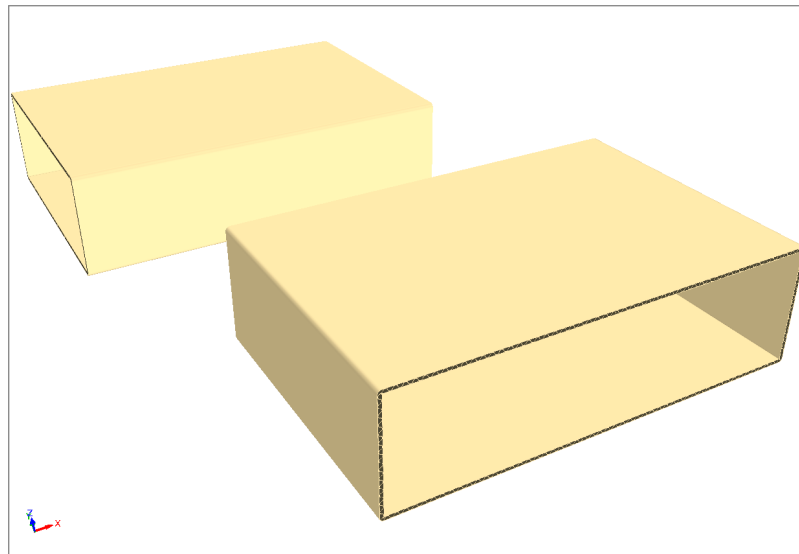
0401



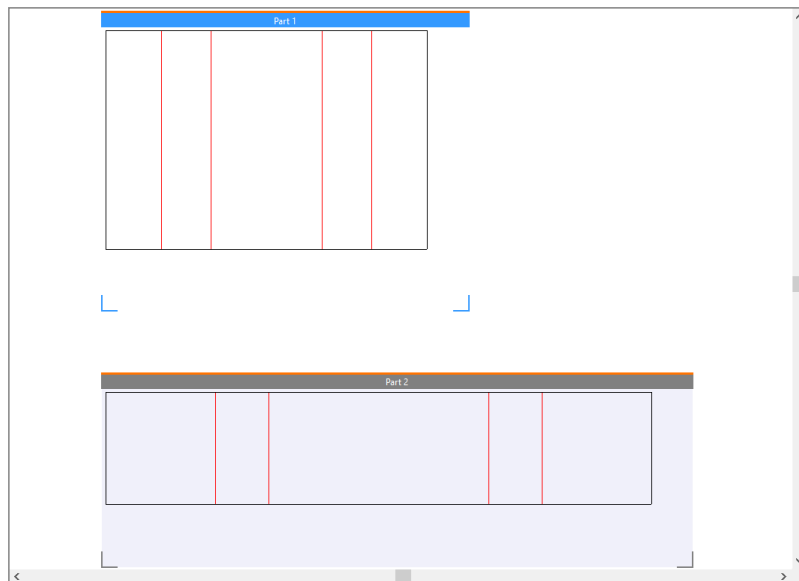


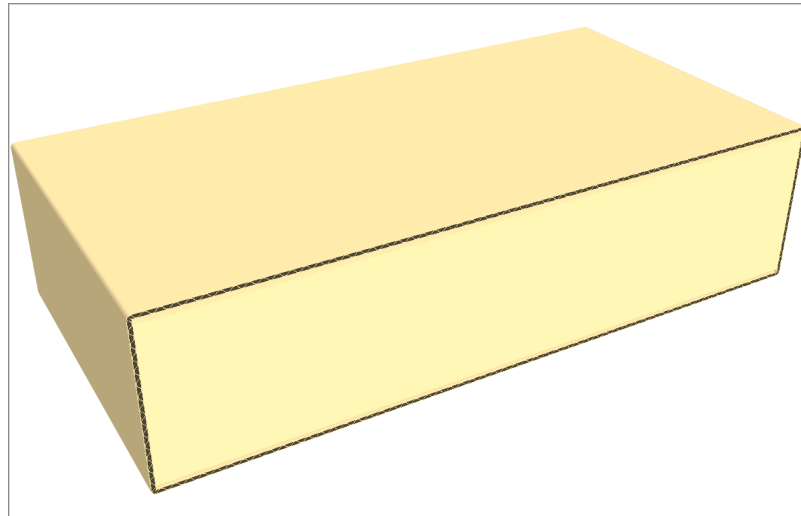
0404



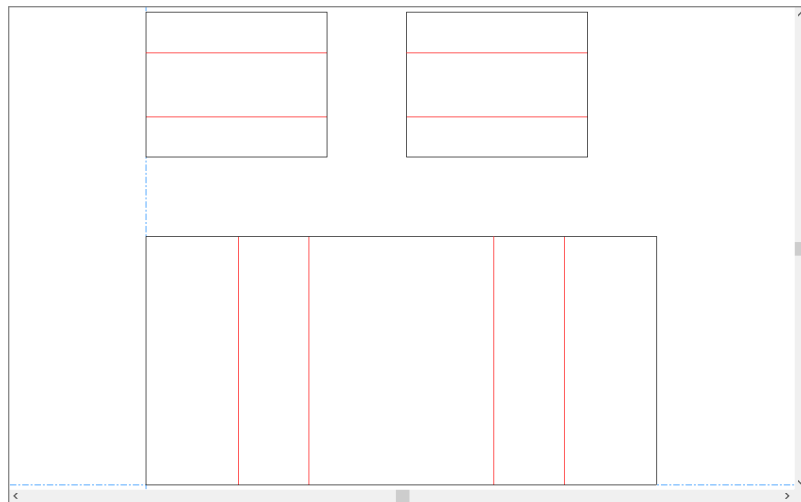


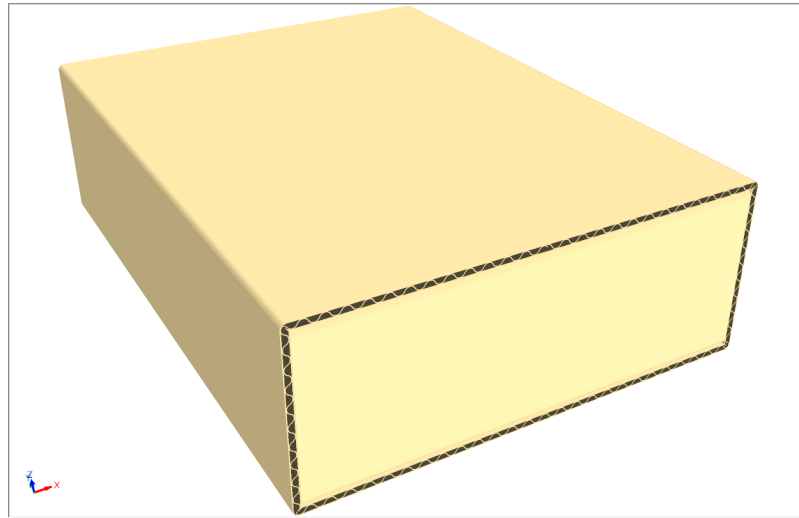
0404 Canvas



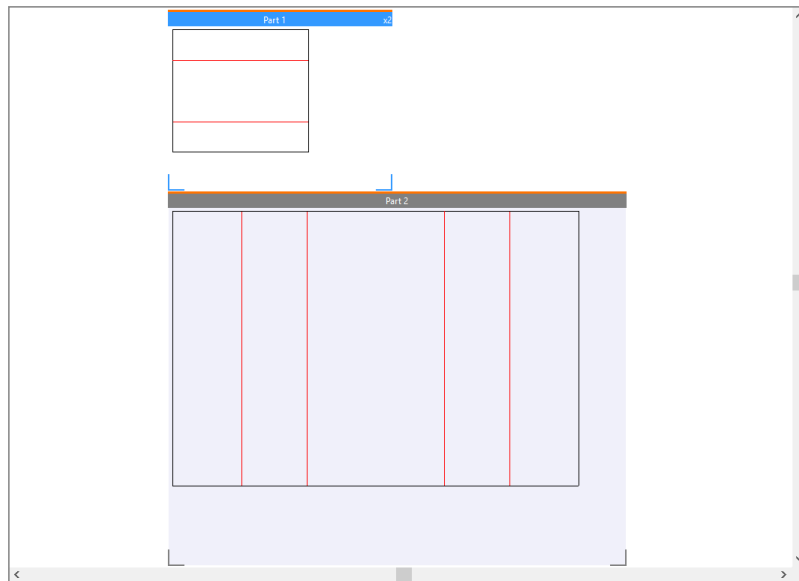


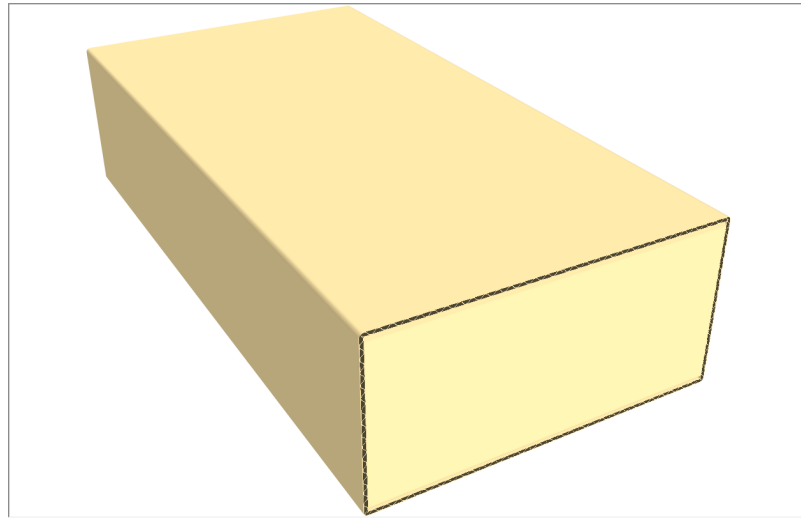
0405



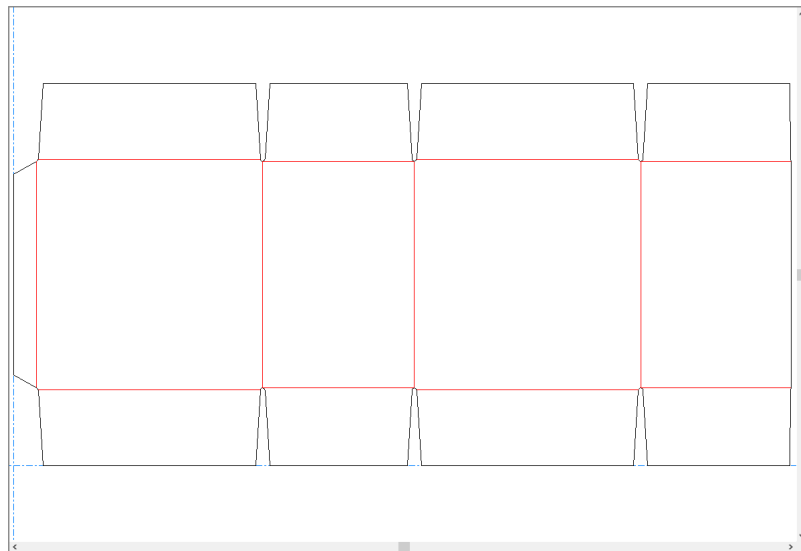


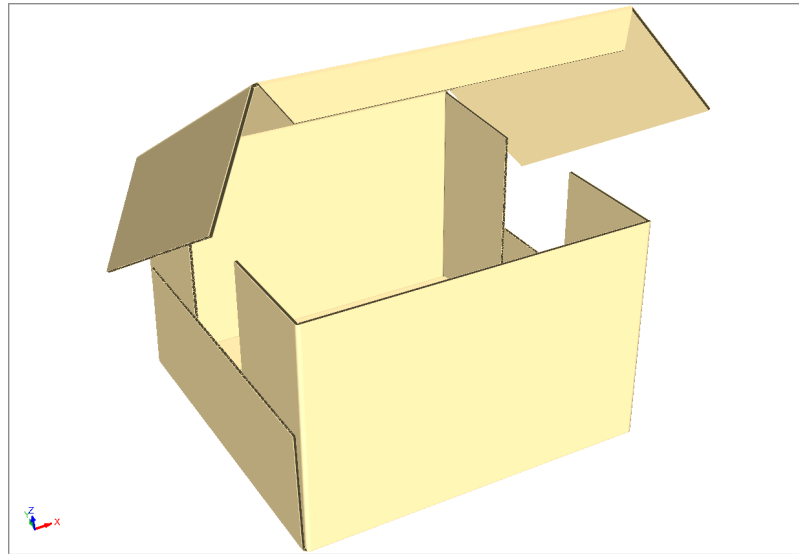
0405 Canvas



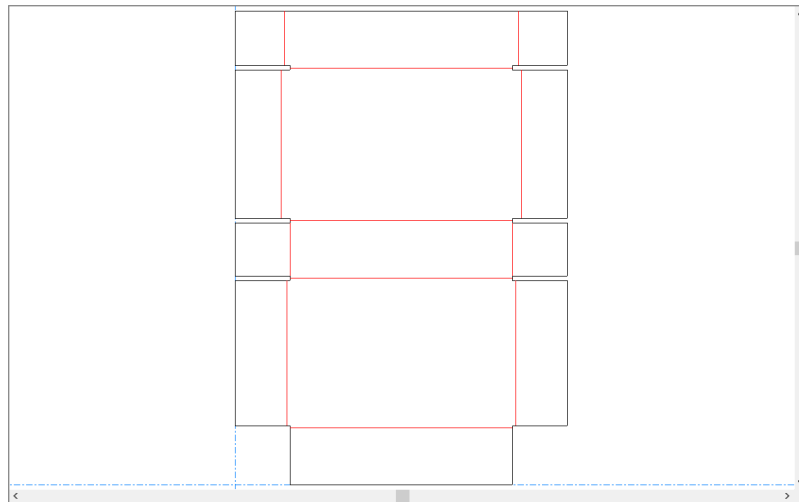


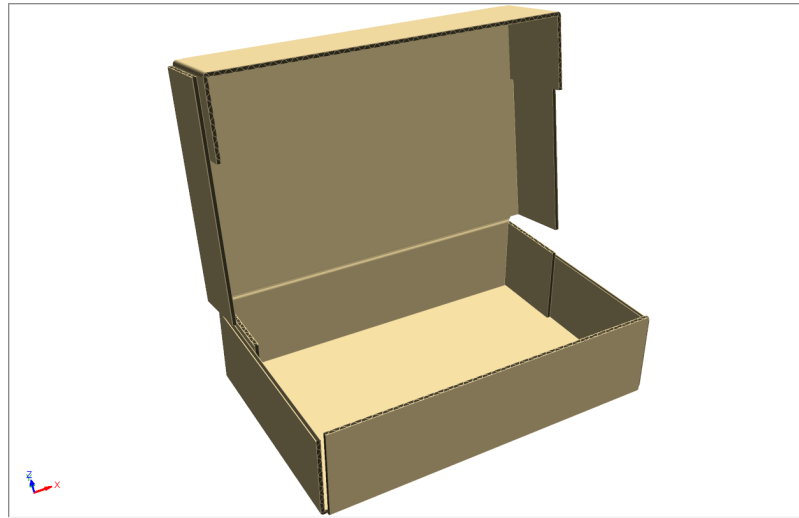
0406



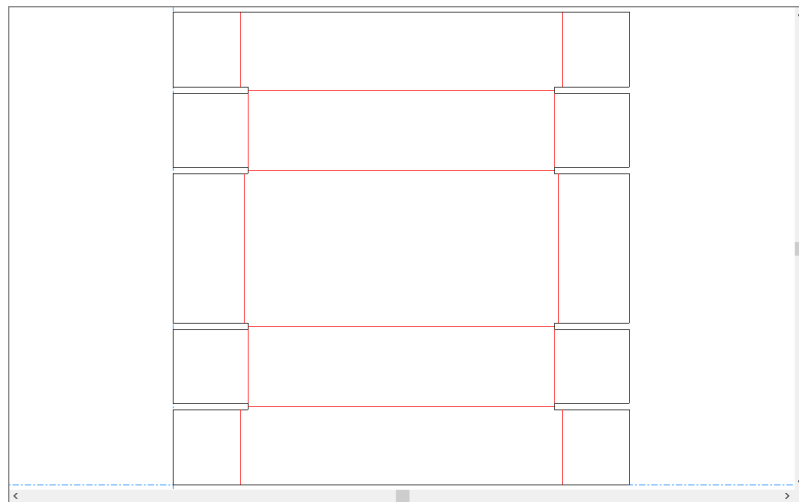


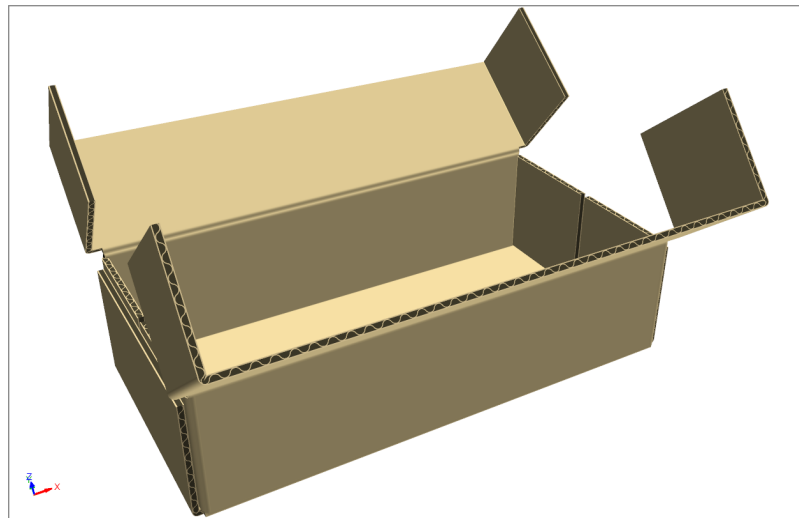
0410



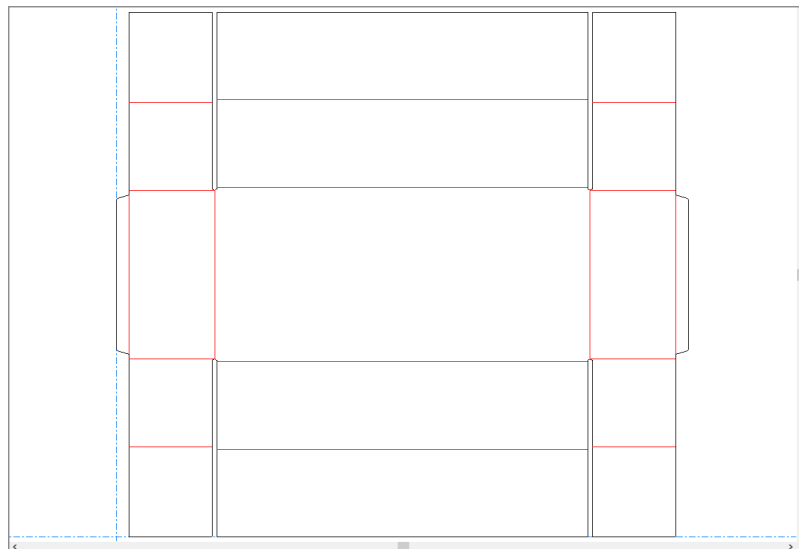


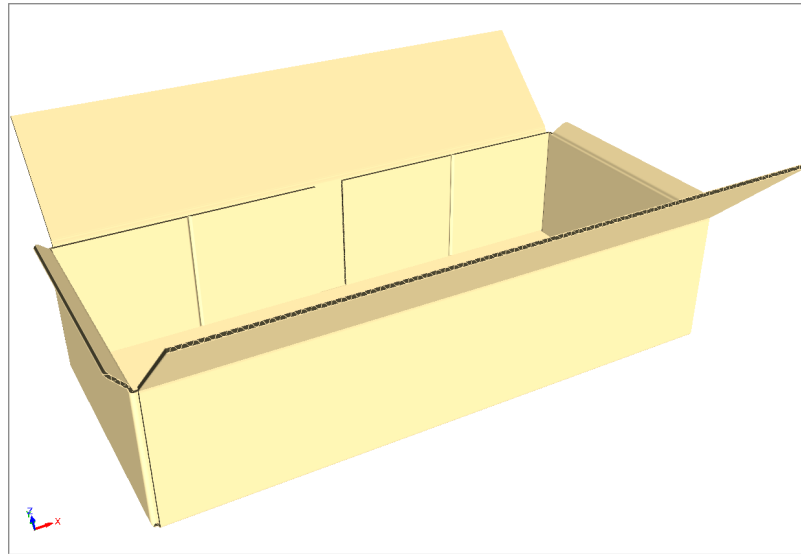
0411



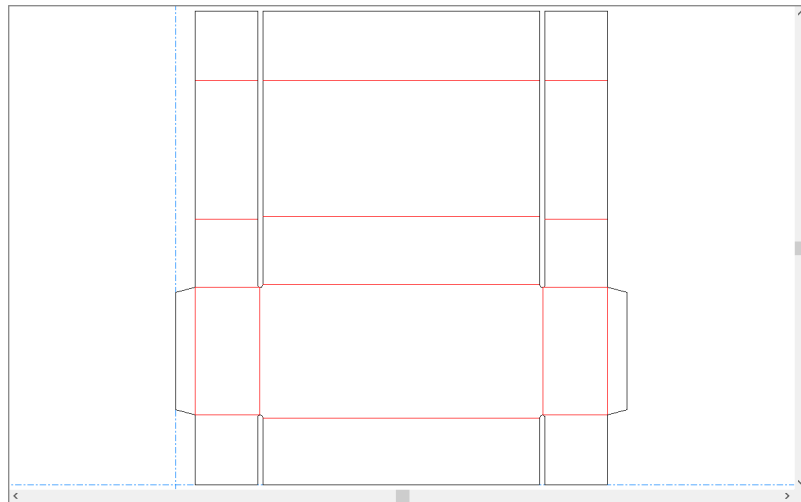


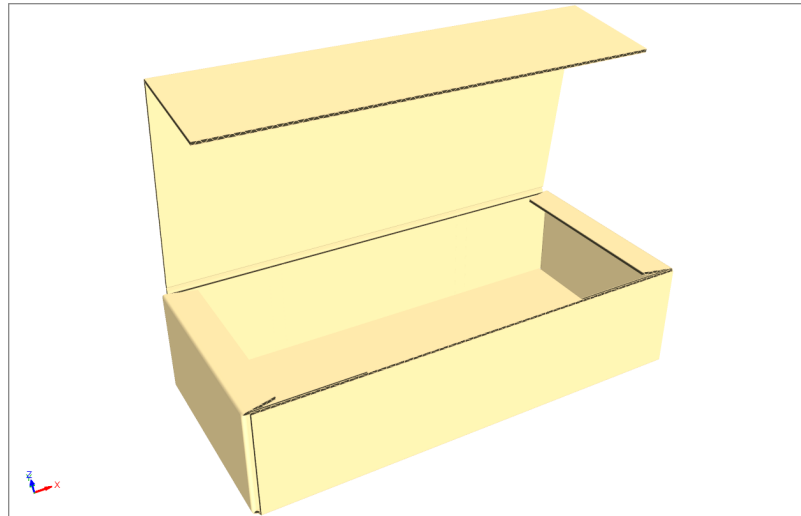
0412



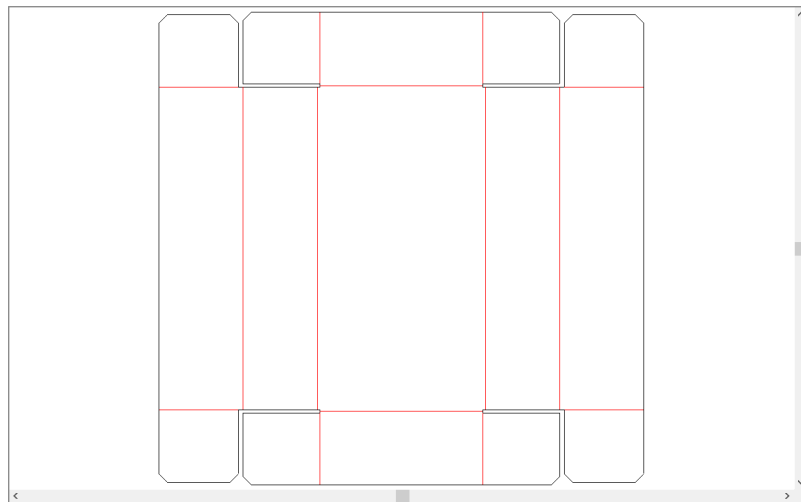


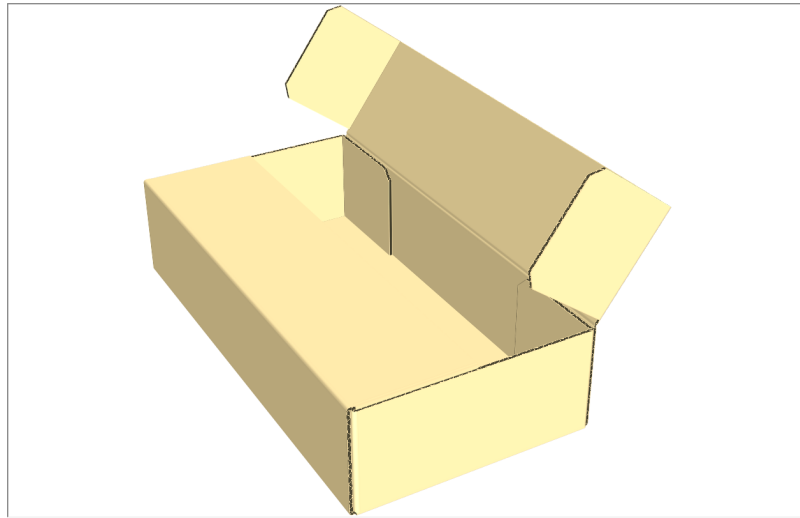
0413



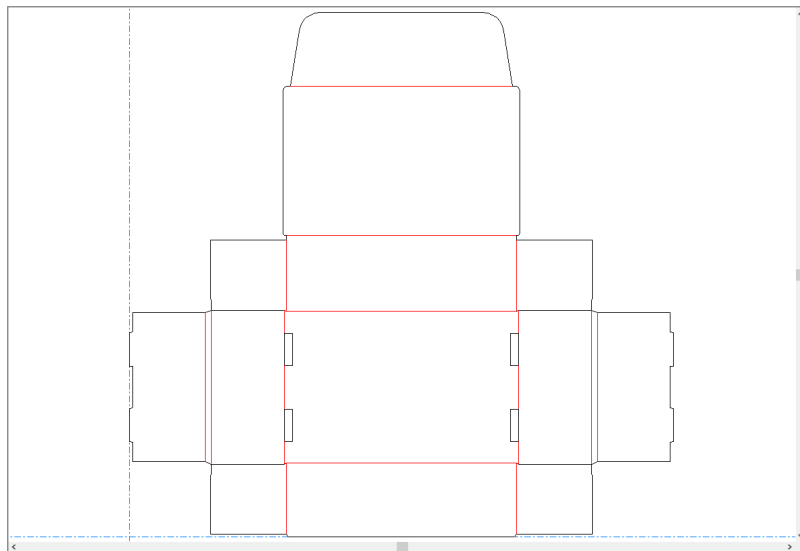


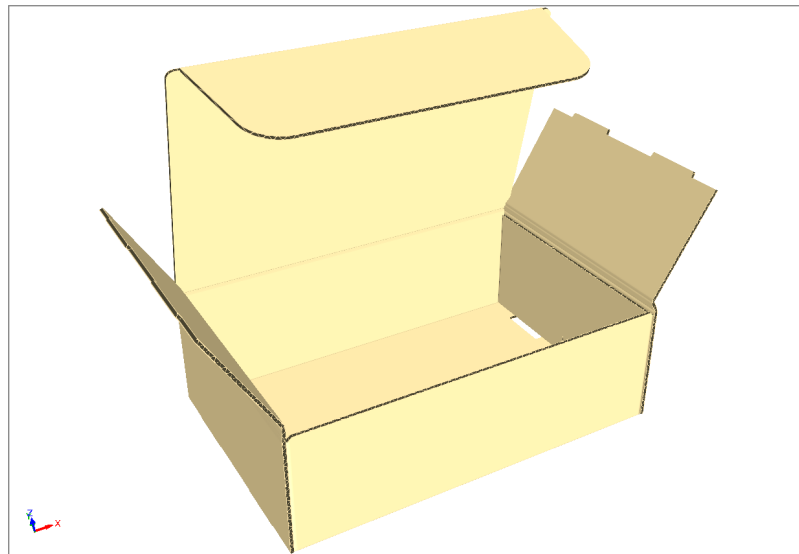
0416



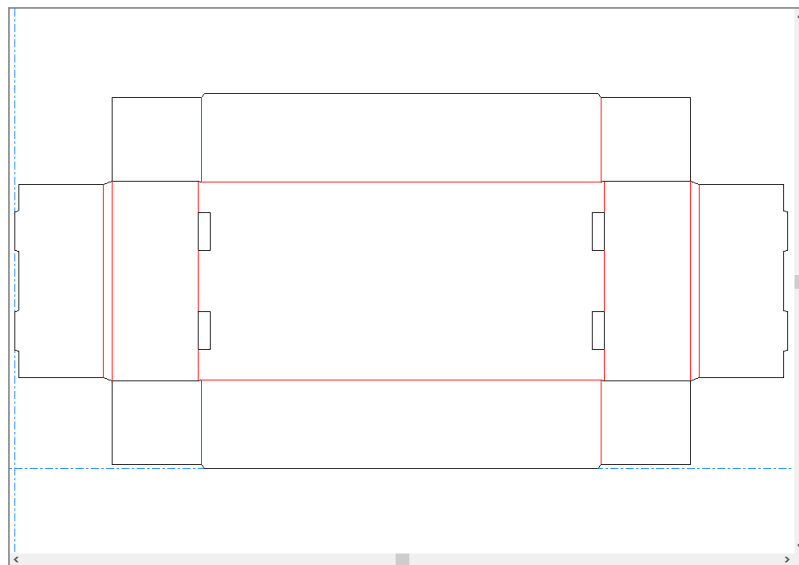


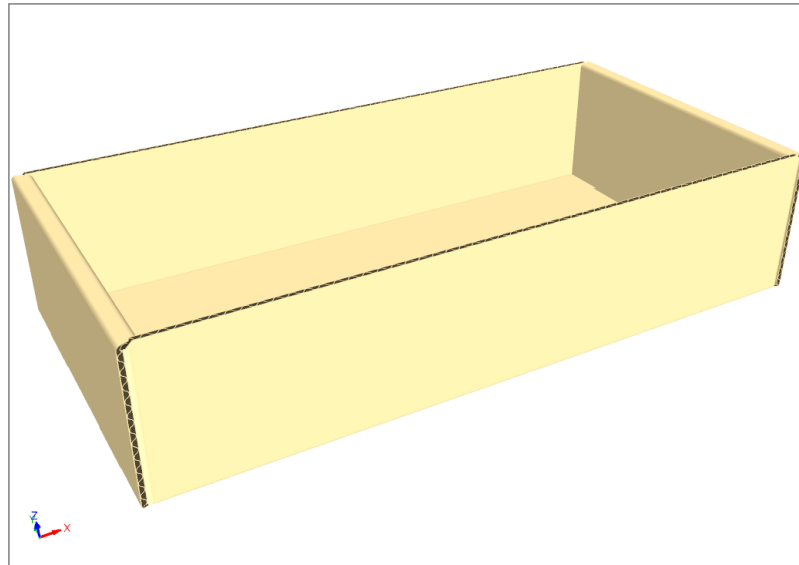
0421



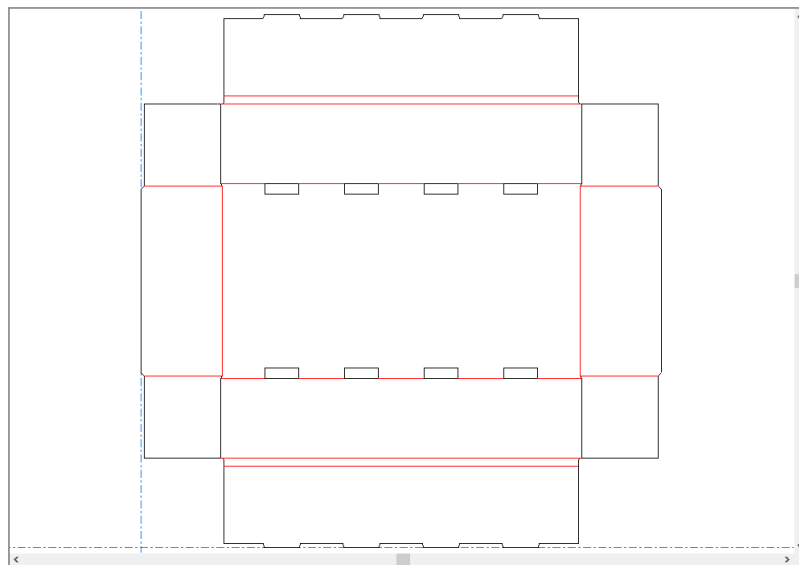


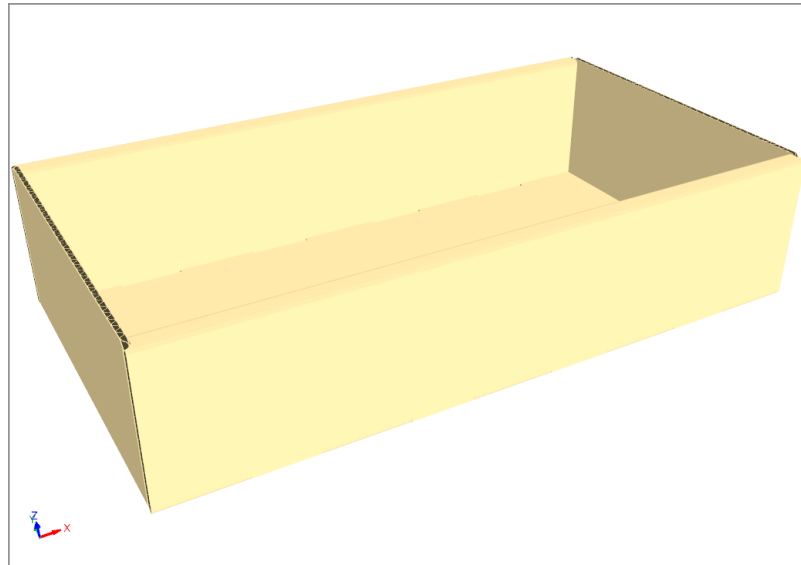
0422



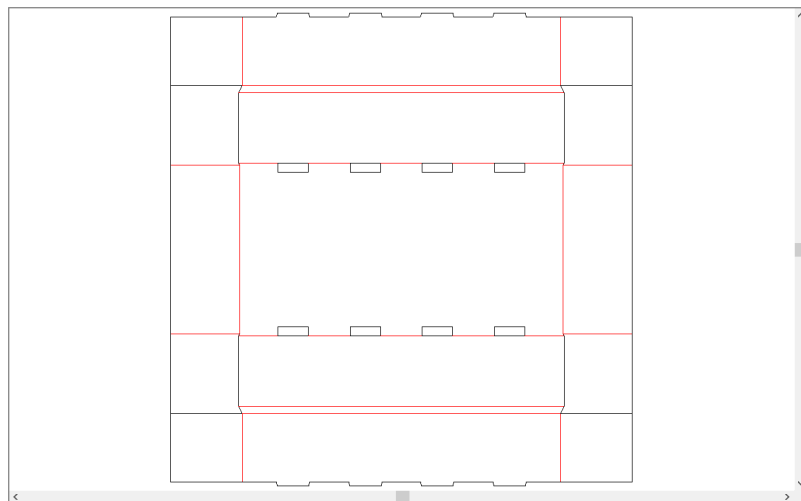


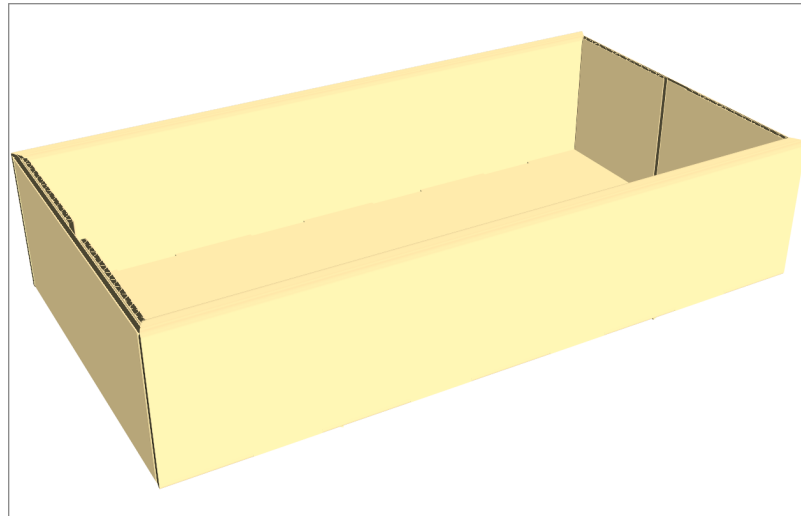
0423



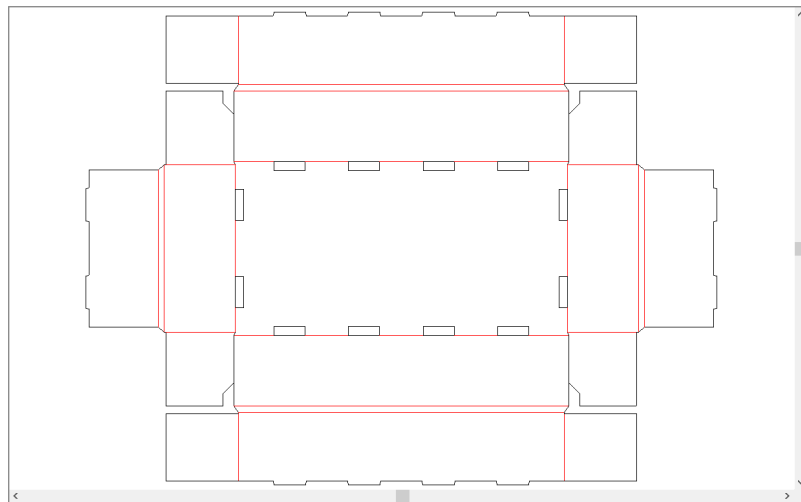


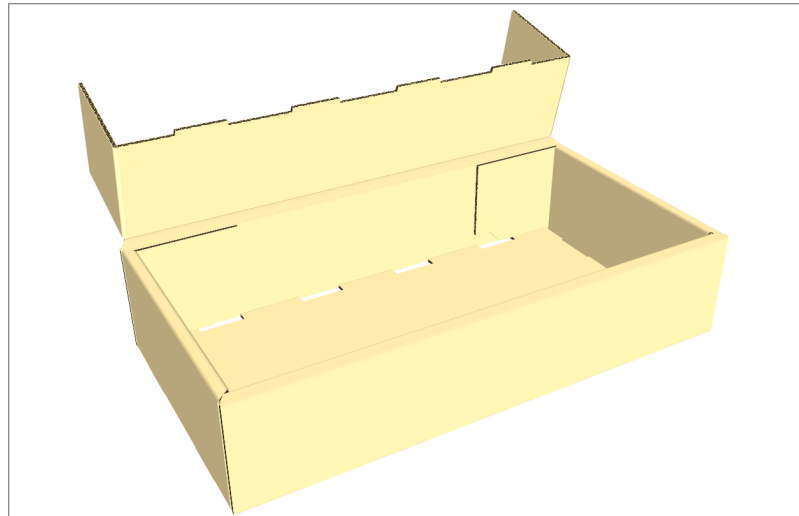
0424



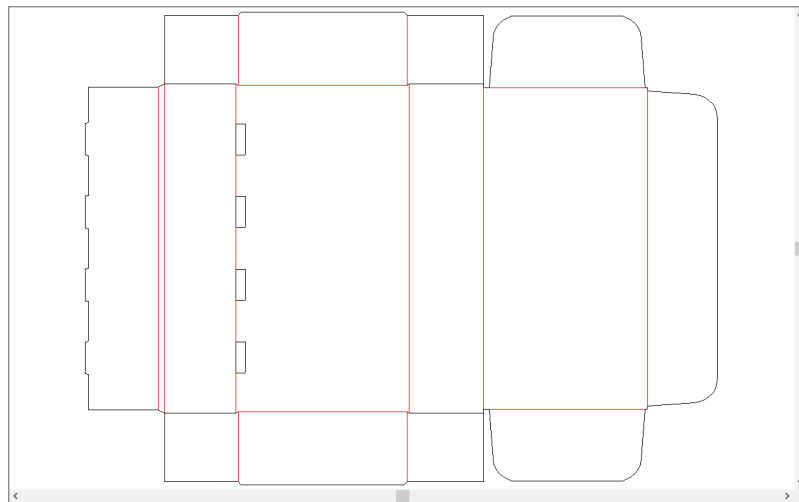


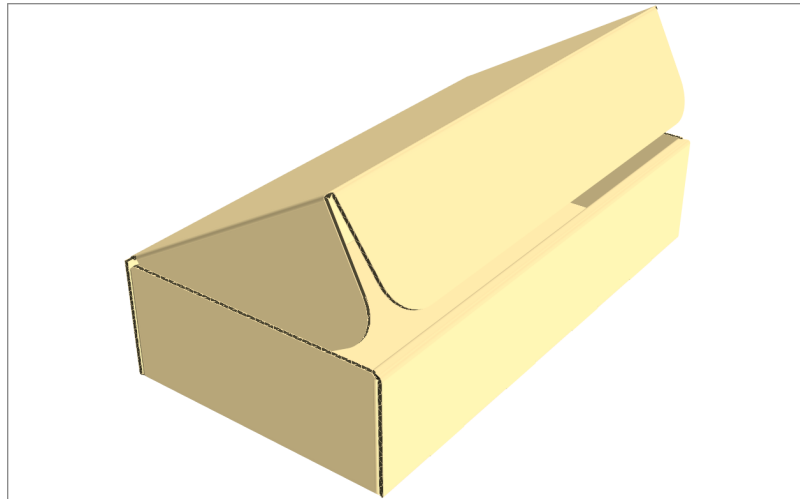
0425



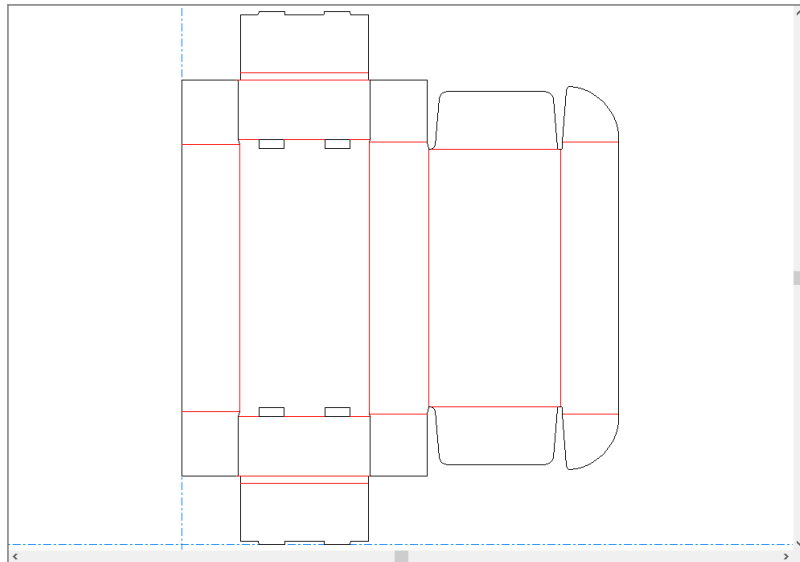


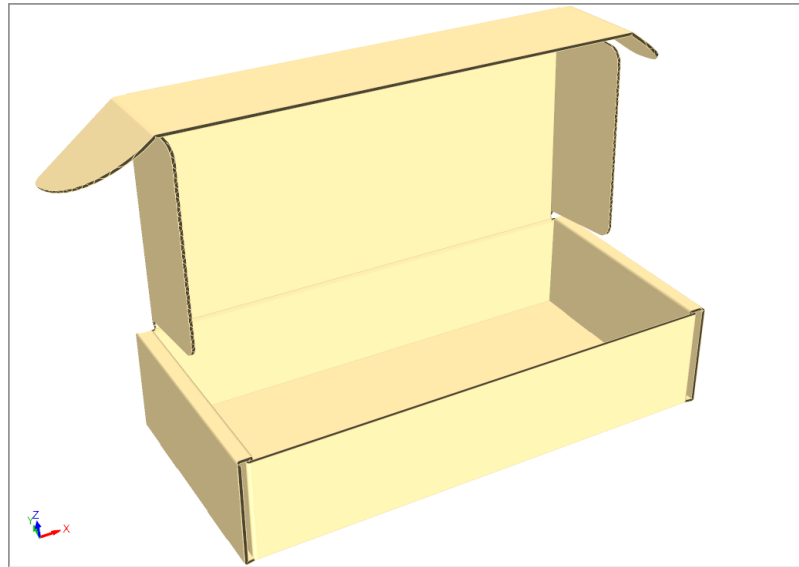
0426



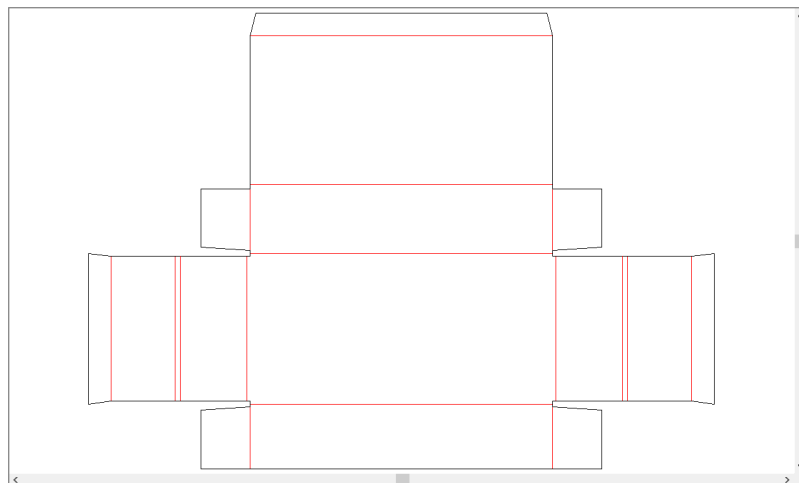


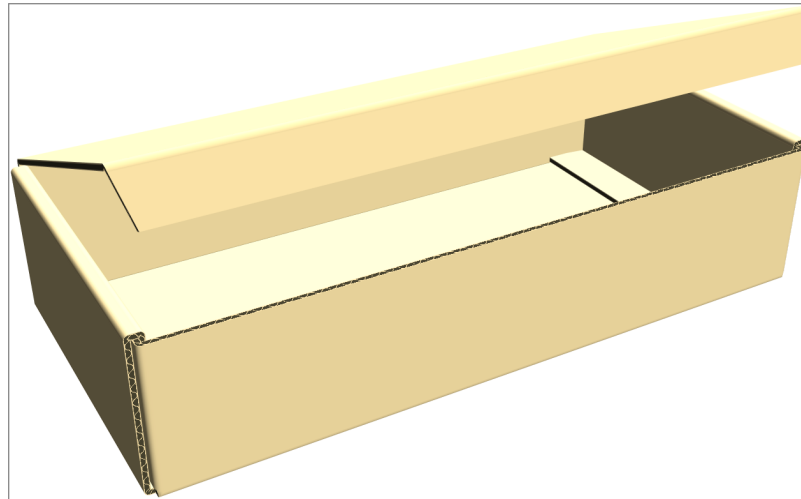
0427



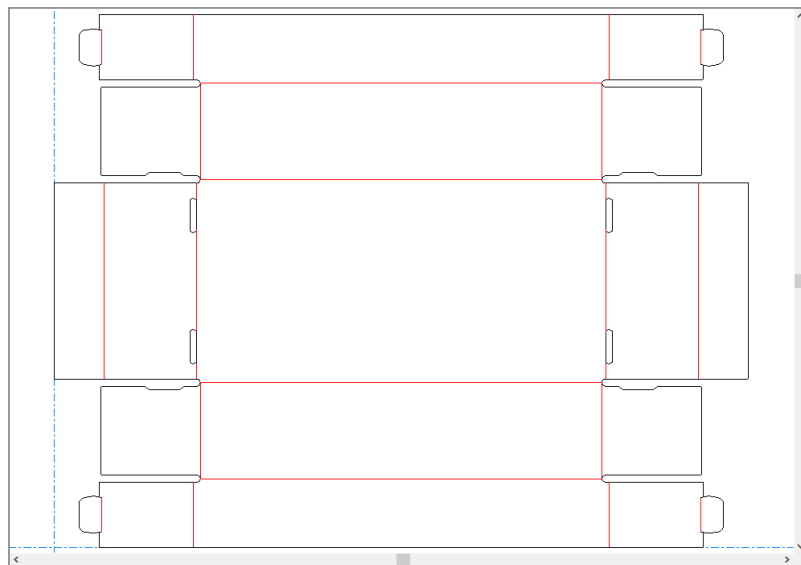


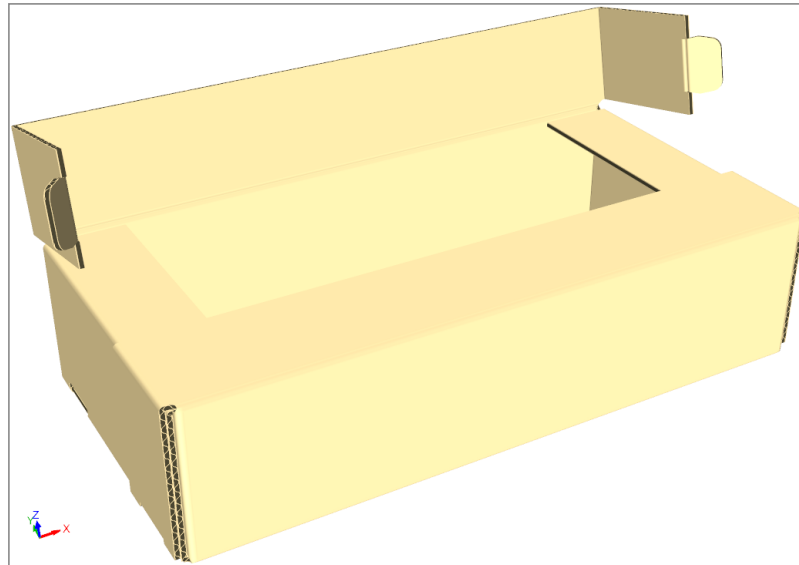
0428



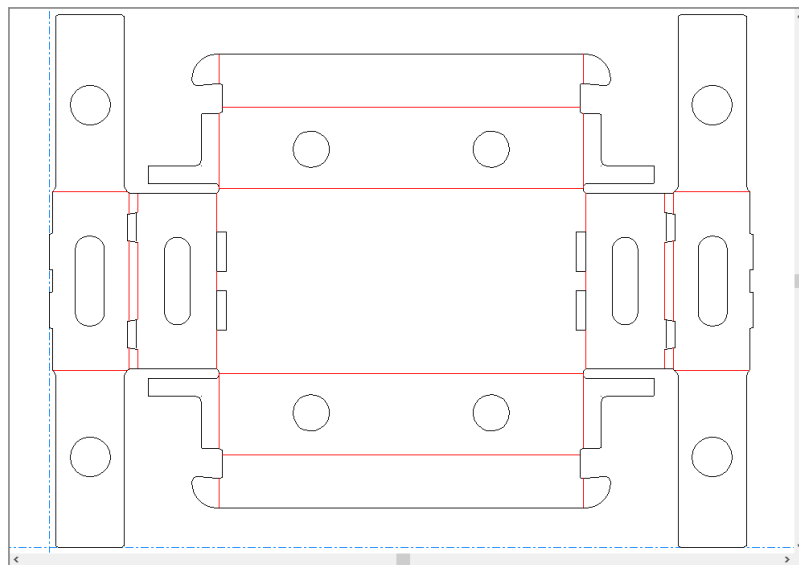


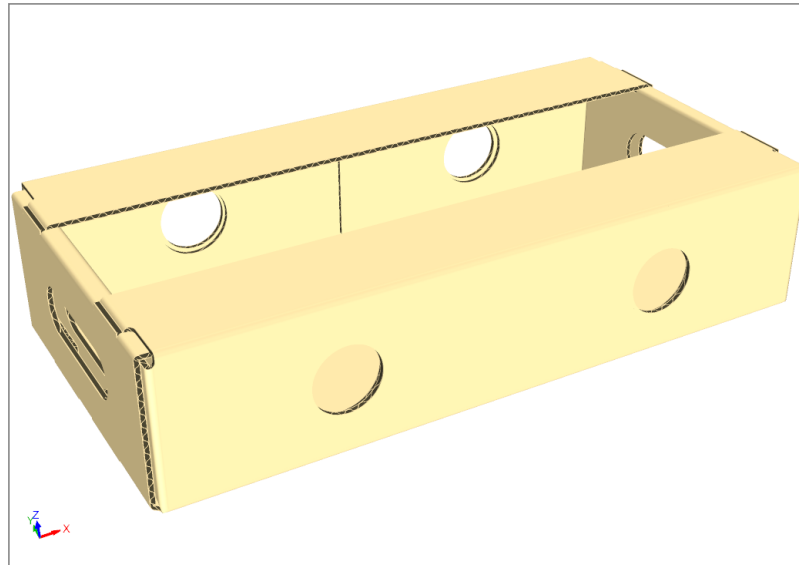
0431



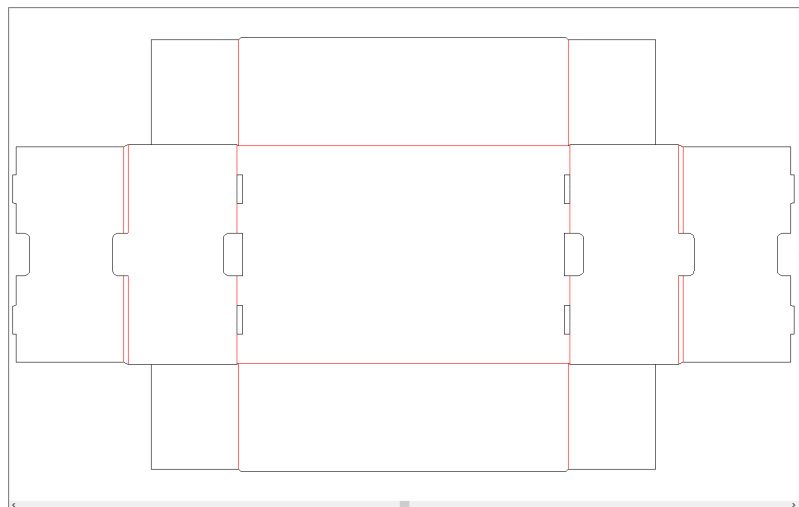


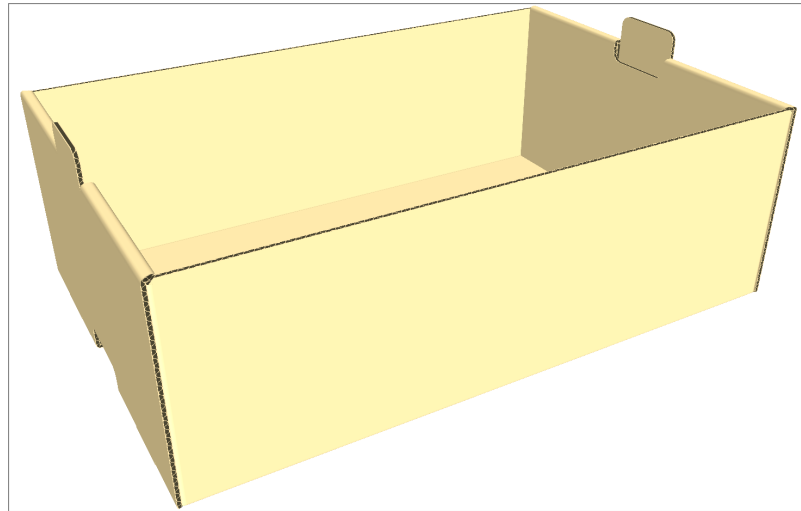
0432



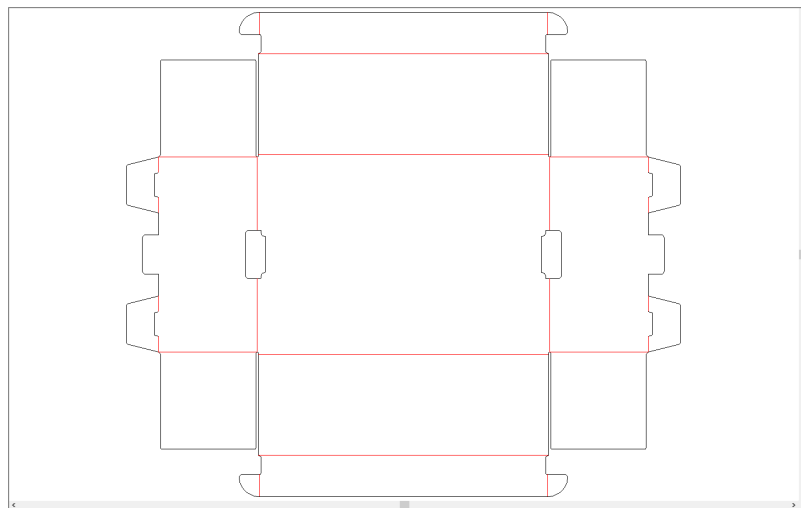


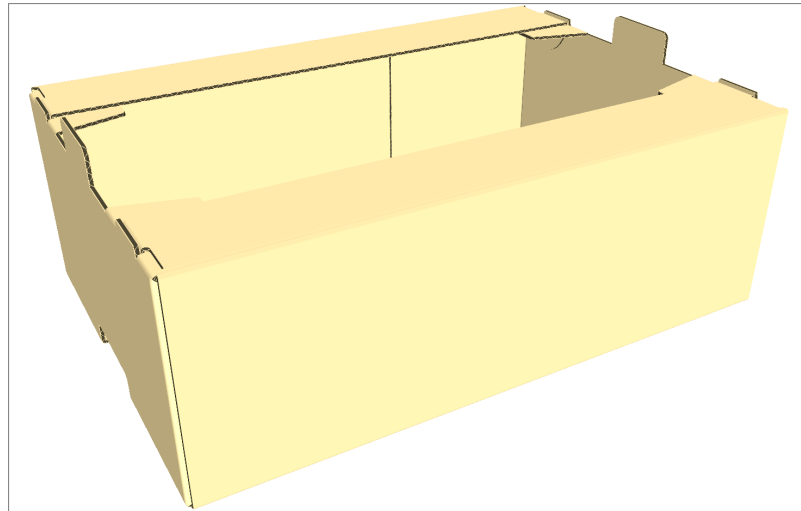
0435.1



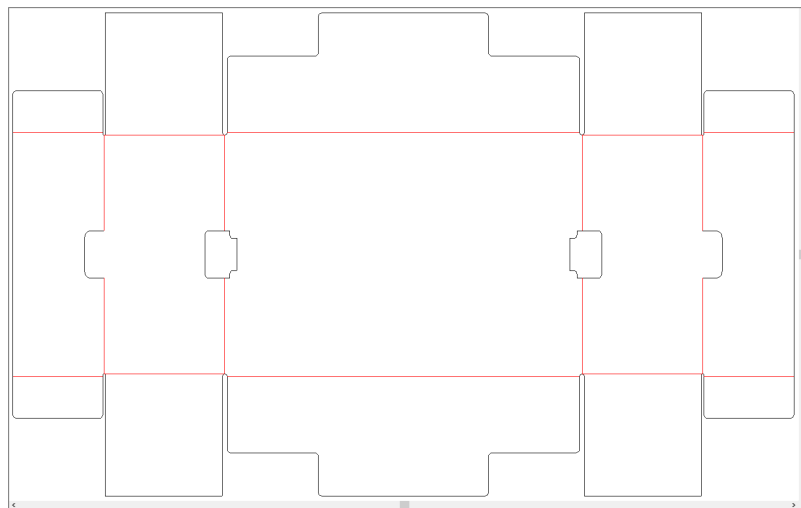


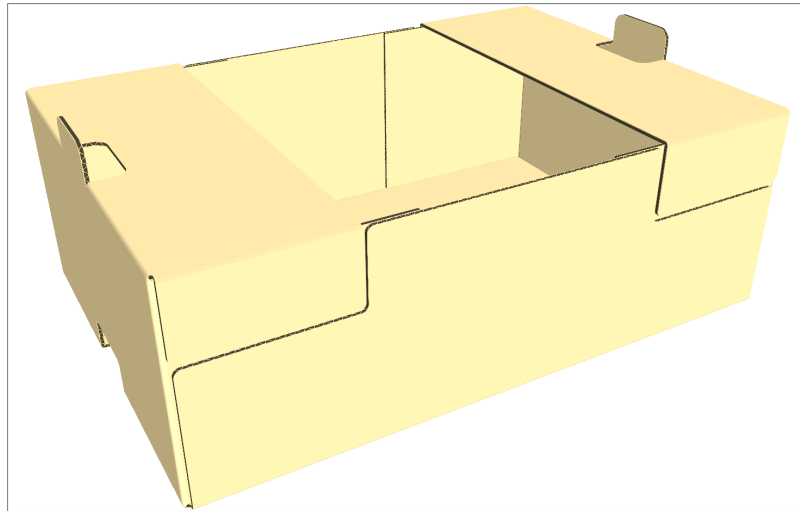
0436



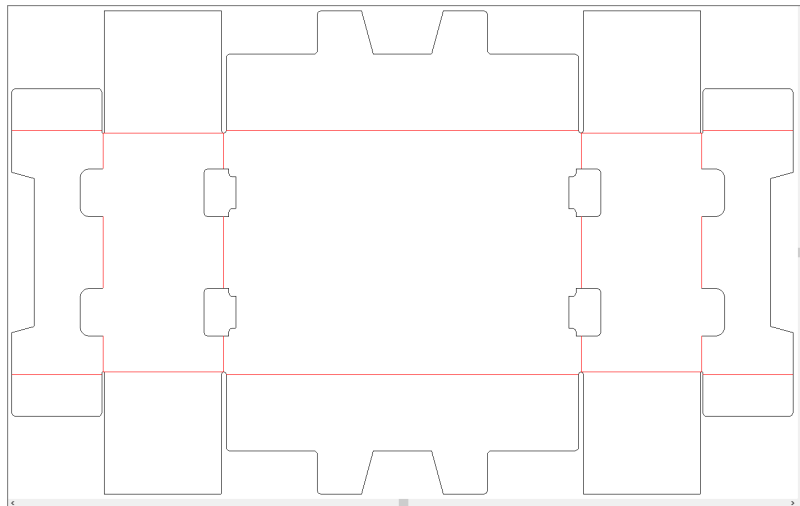


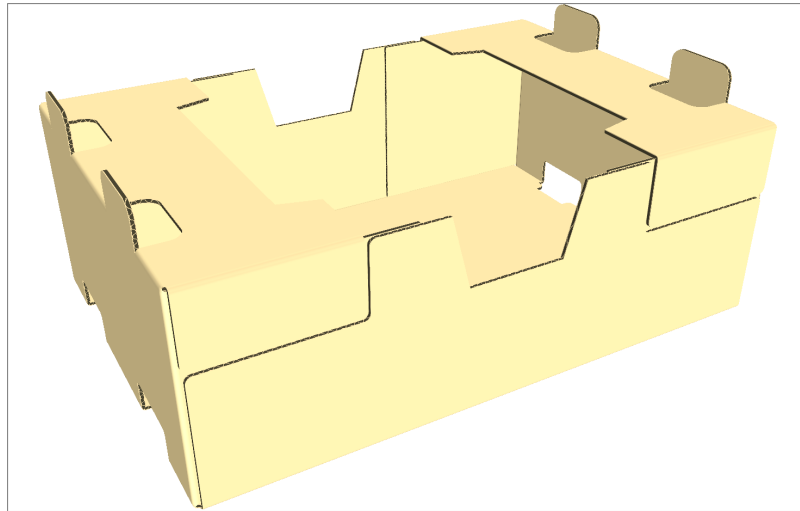
0436.1



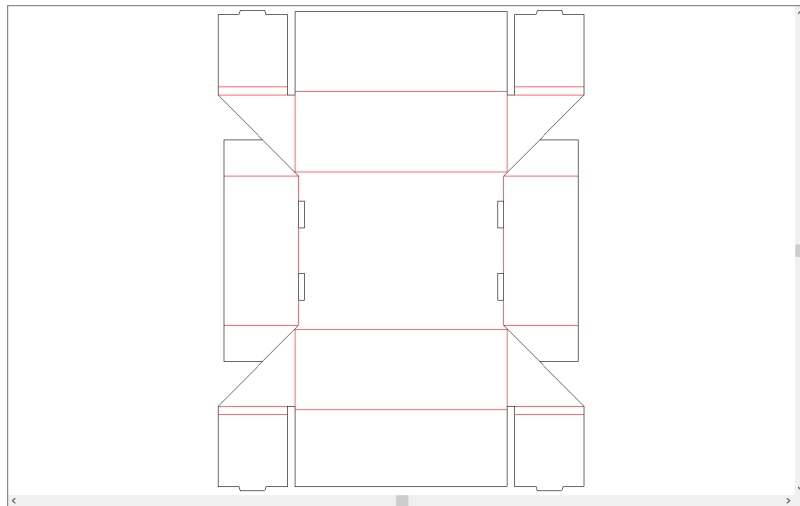


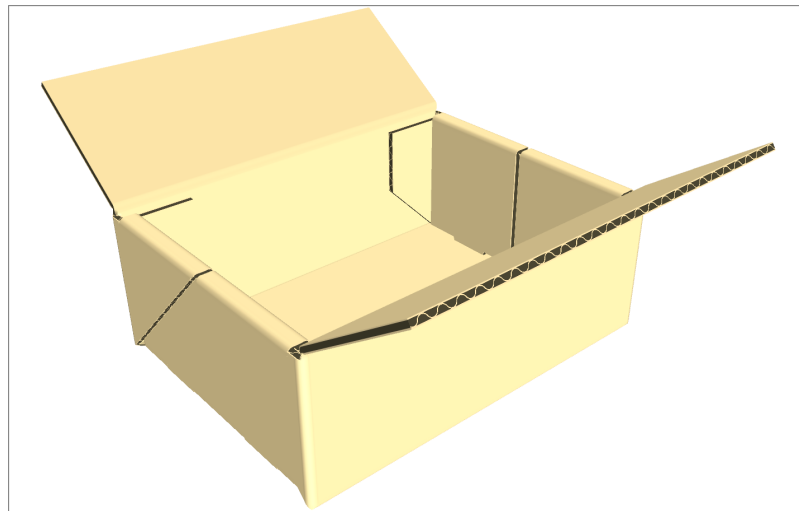
0436.2



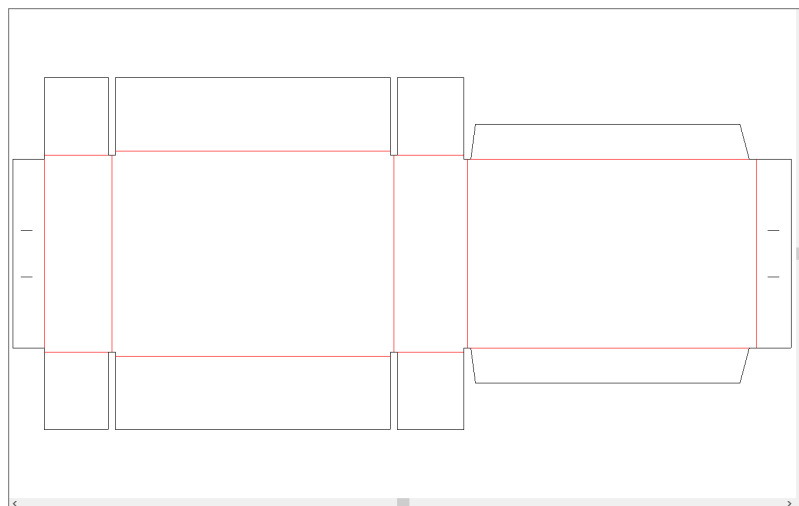


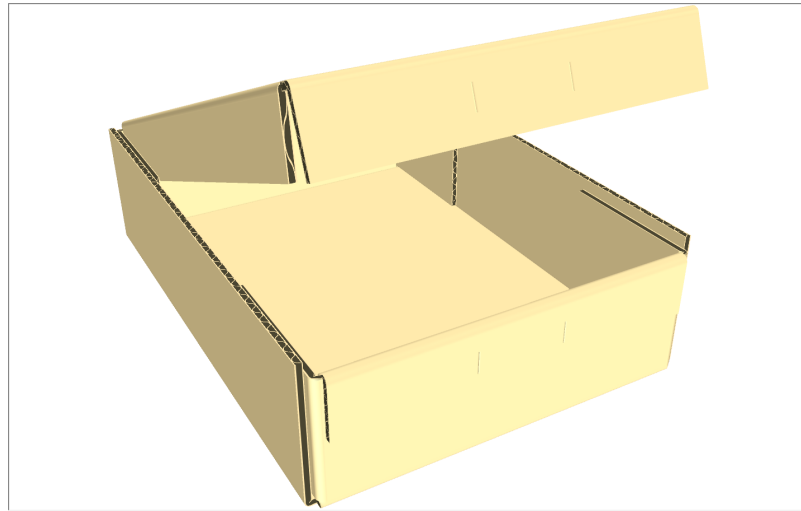
0437



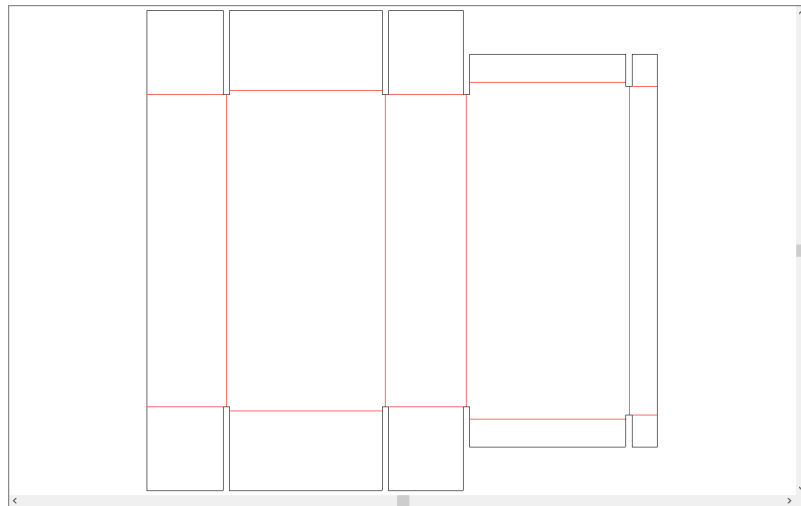


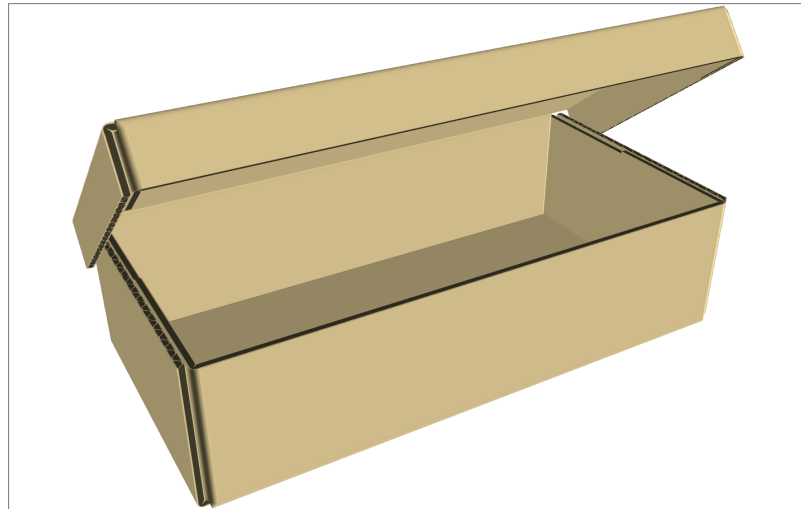
0440



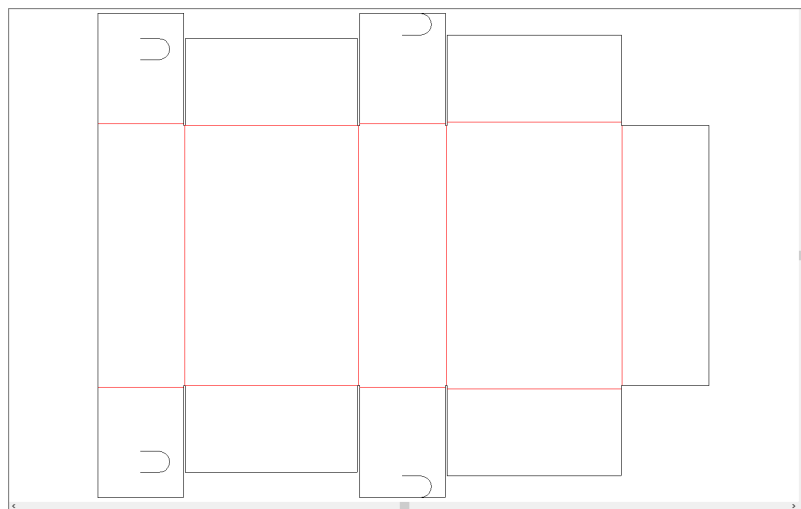


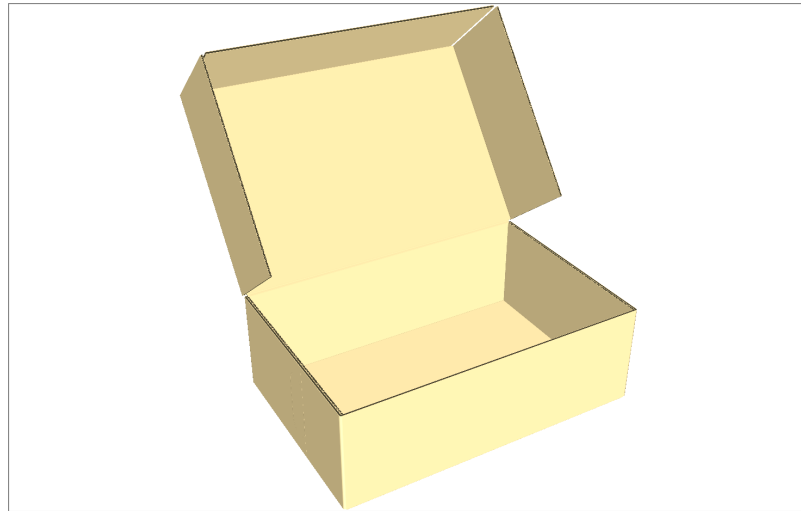
0441



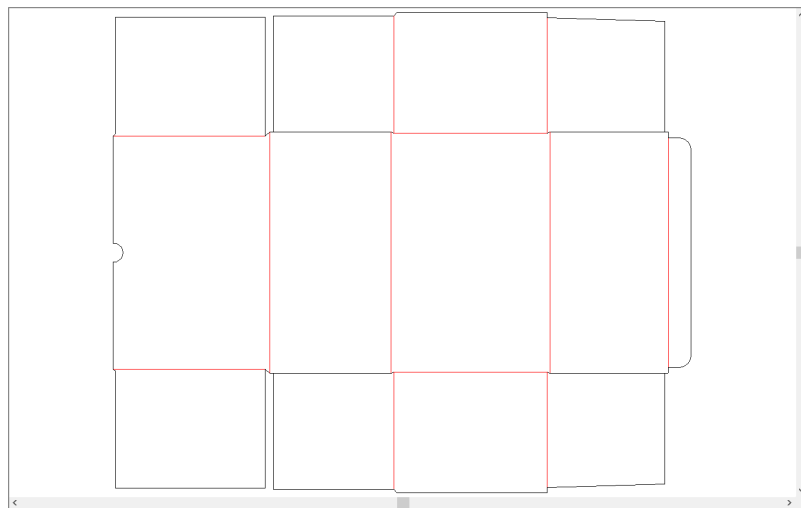


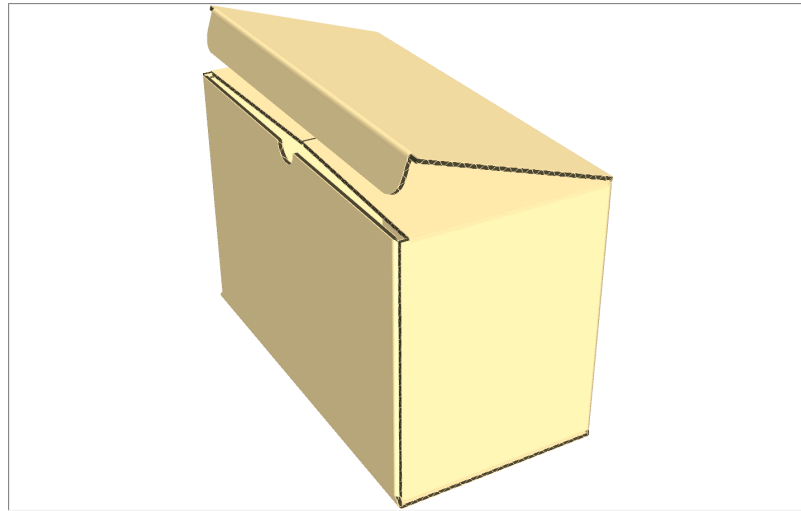
0442



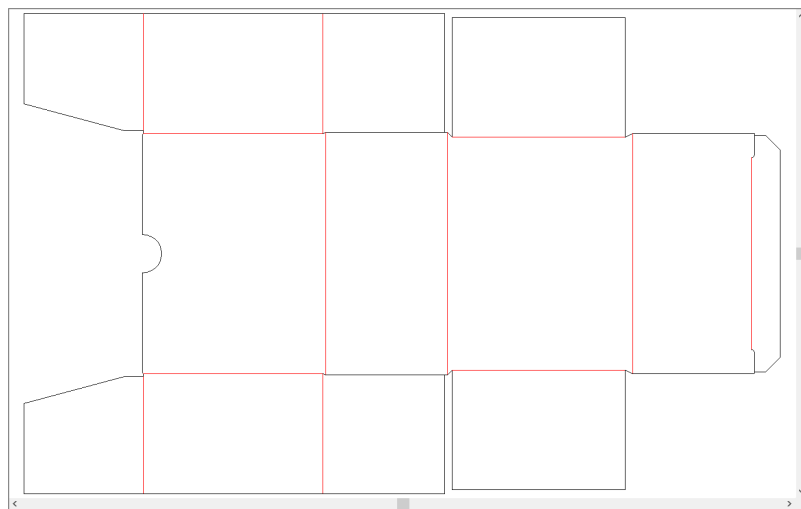


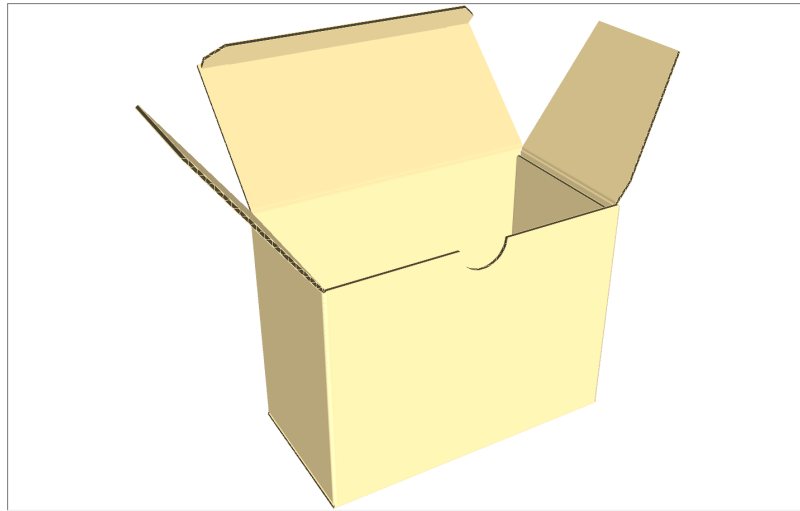
0443



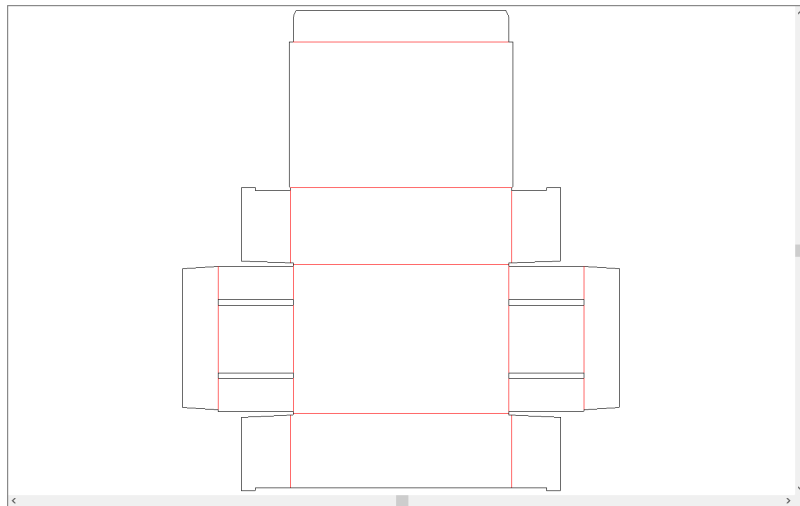


0444



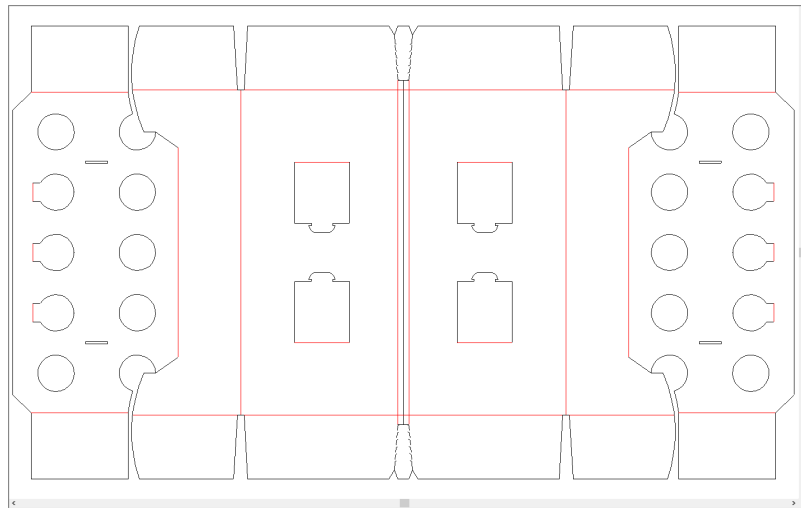


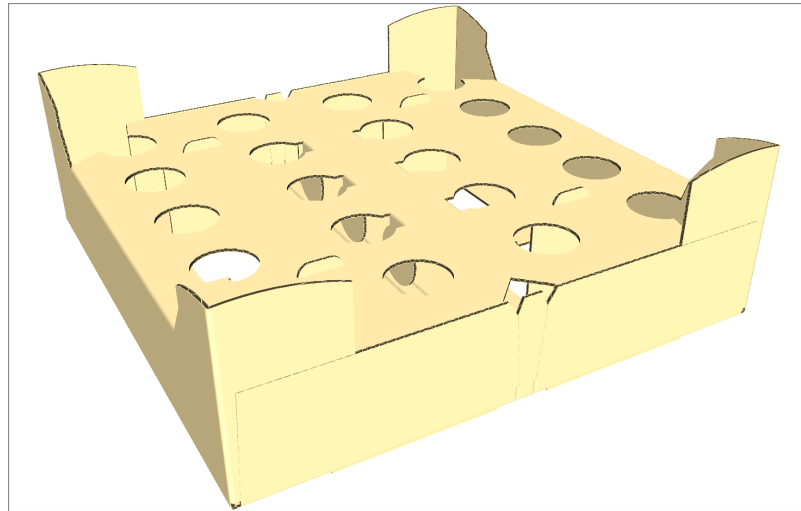
0445



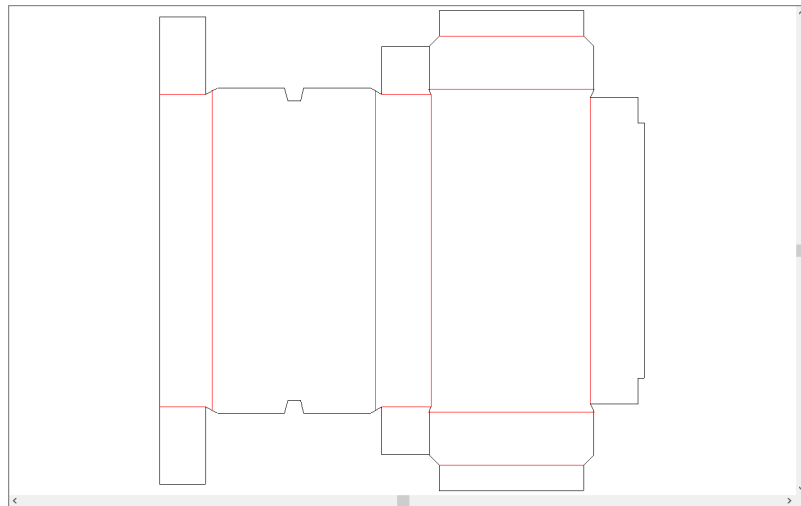


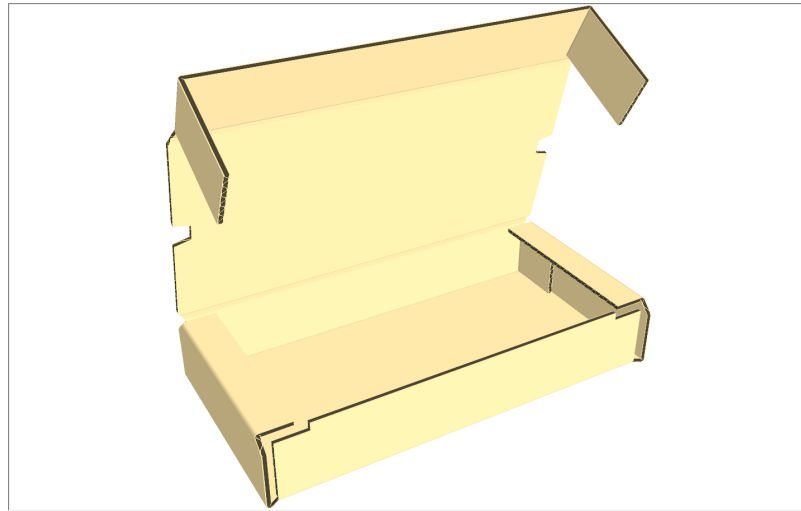
0446



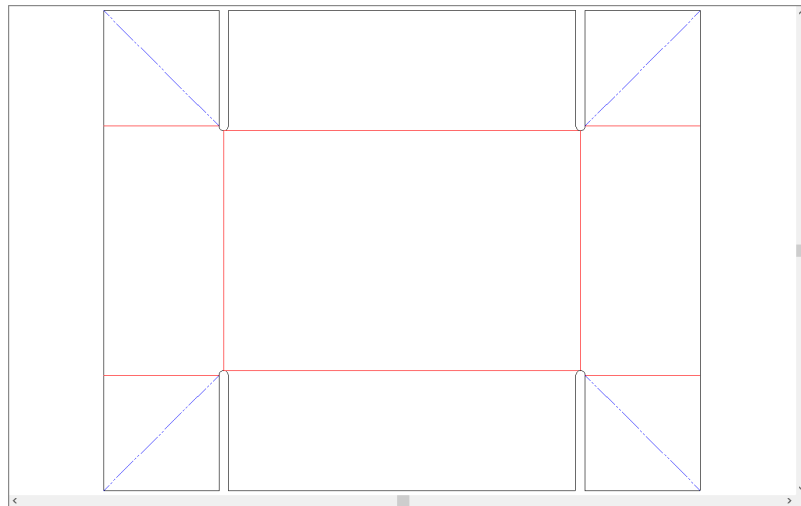


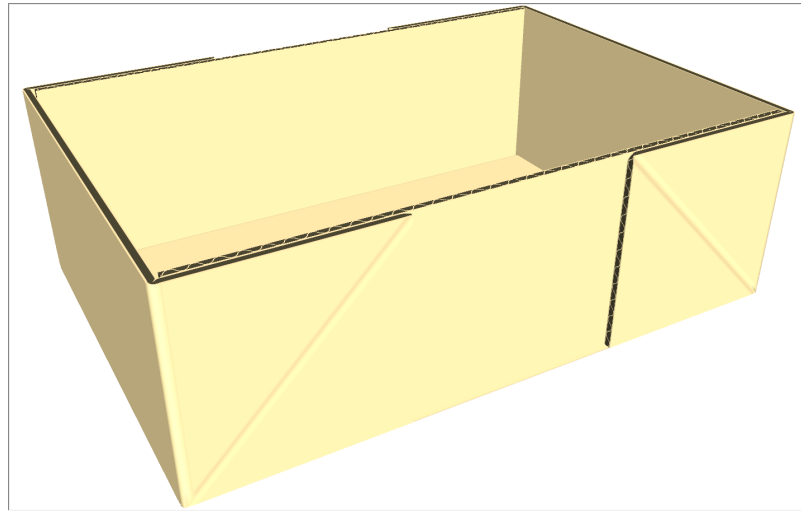
0447



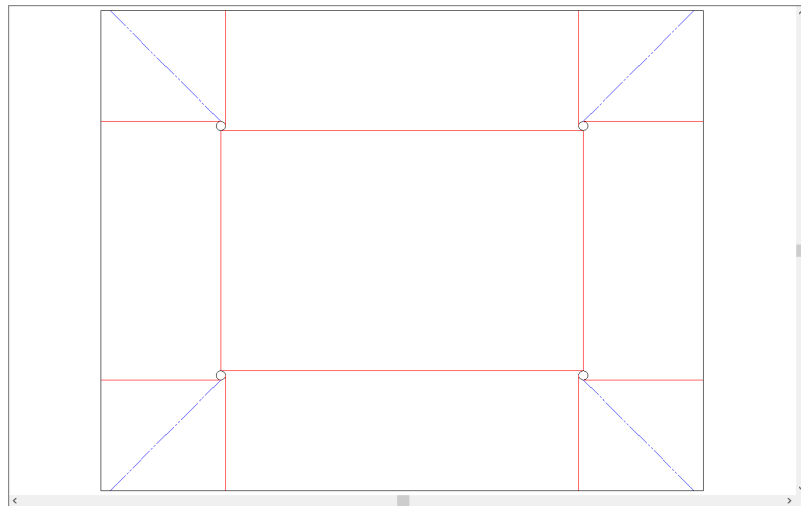


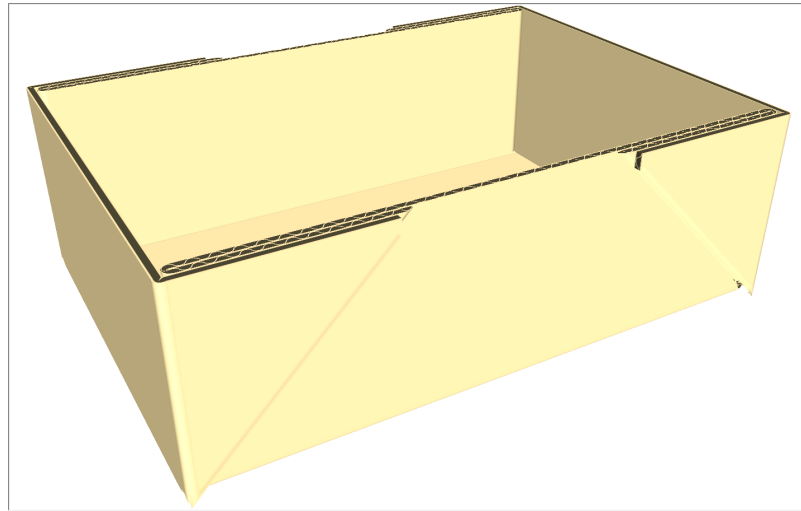
0448



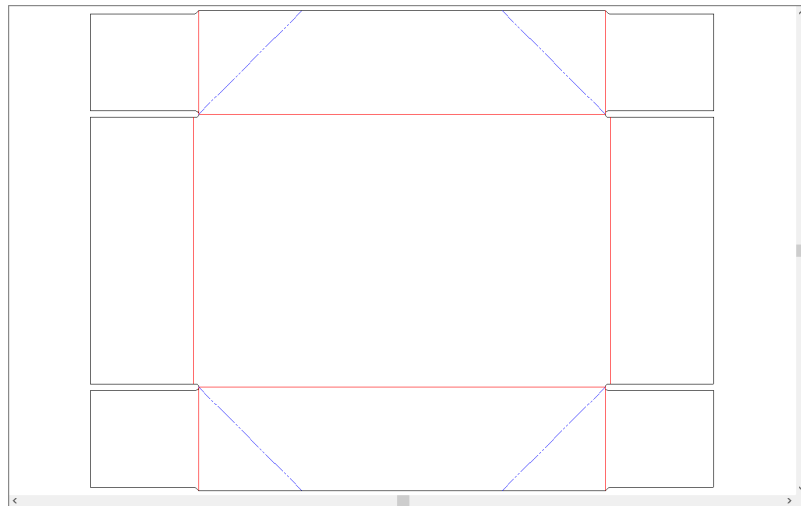


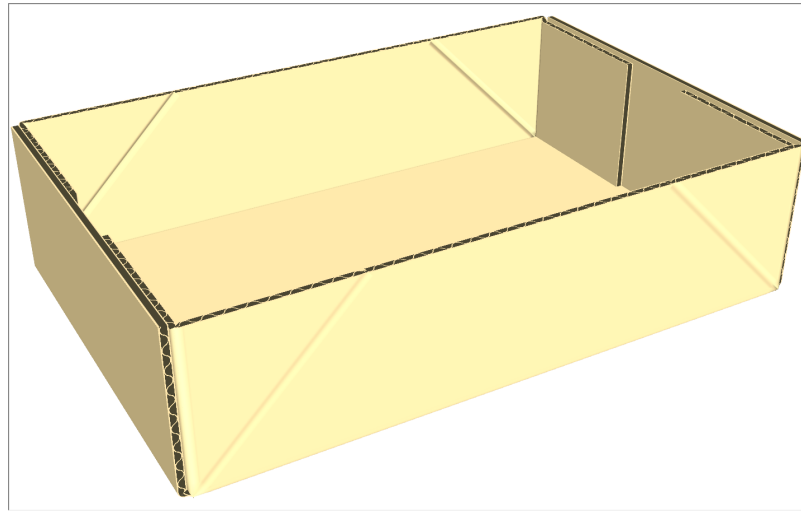
0449



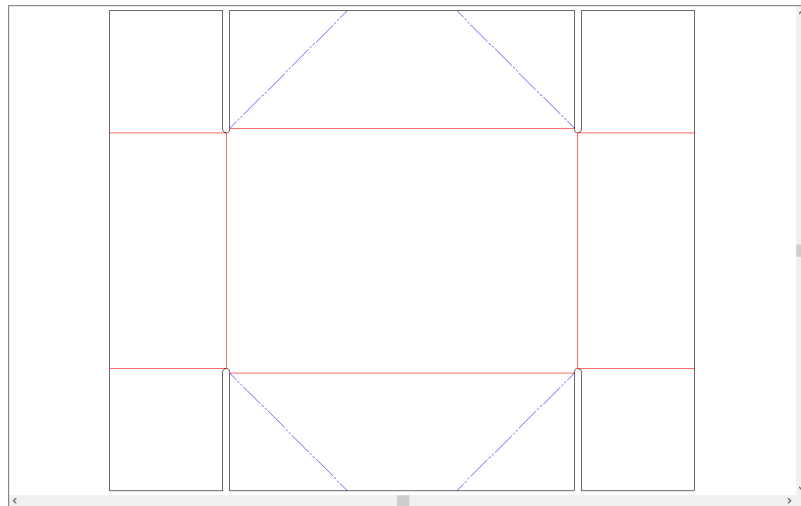


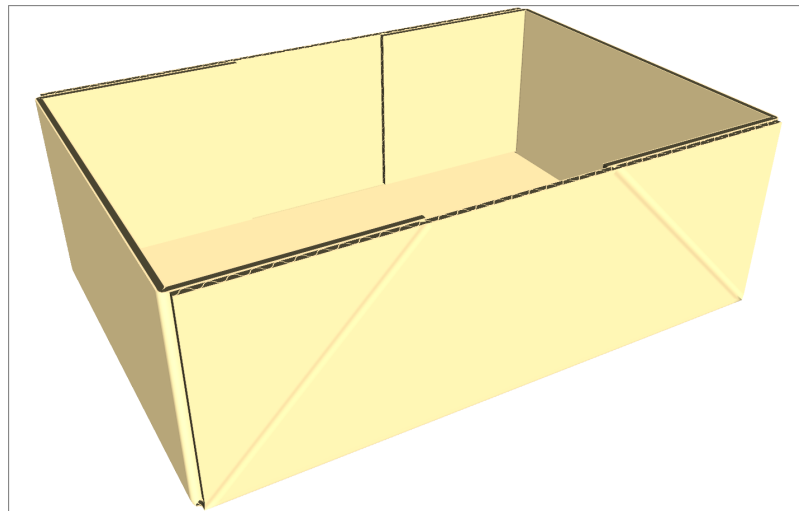
0450



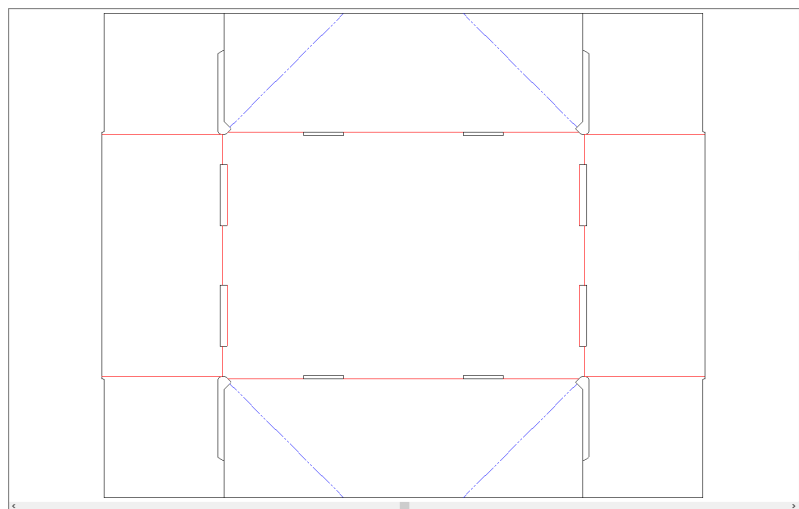


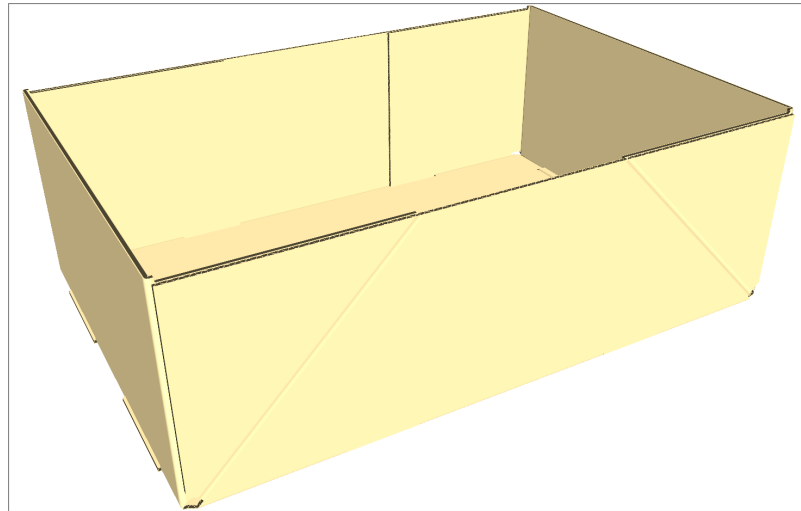
0451



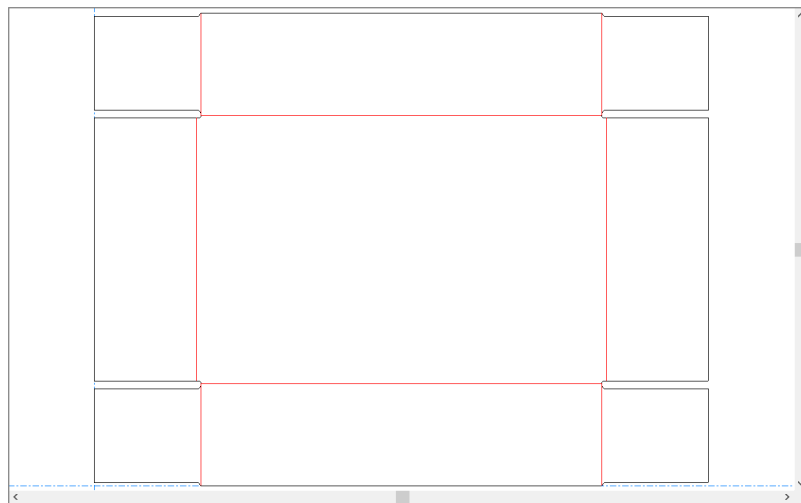


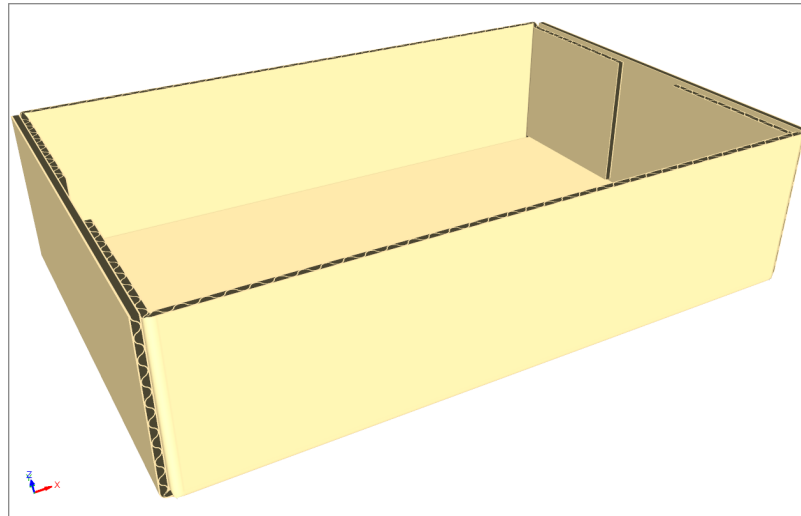
0451.1



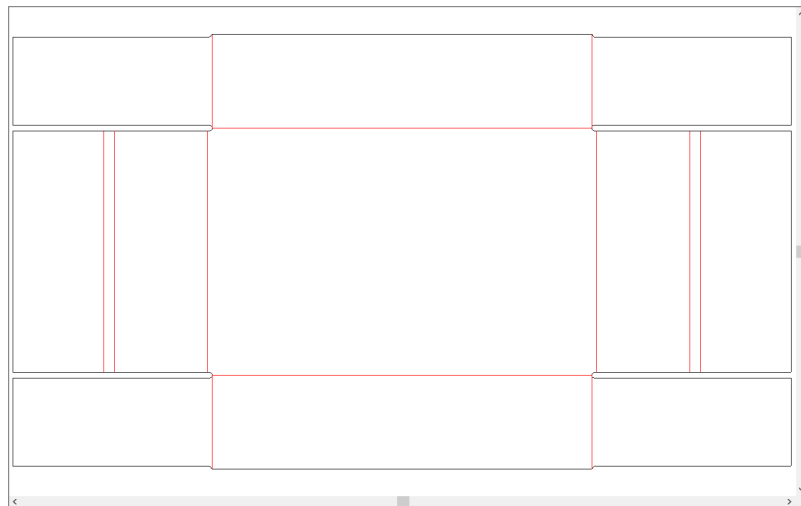


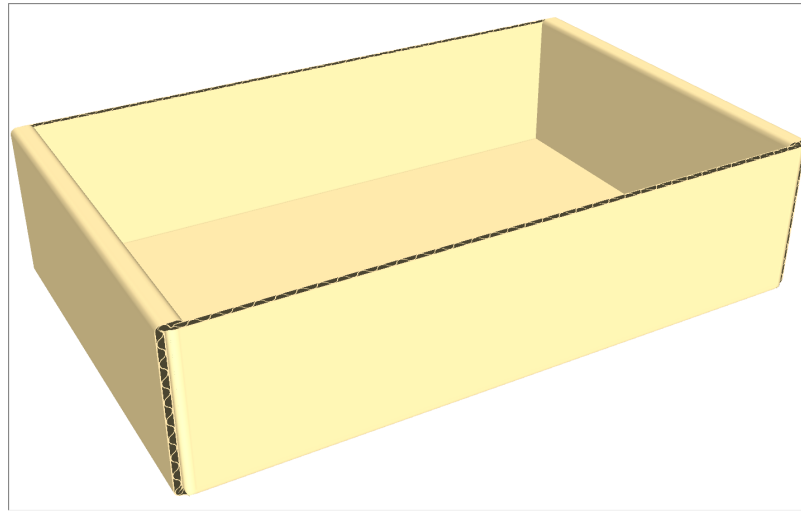
0453



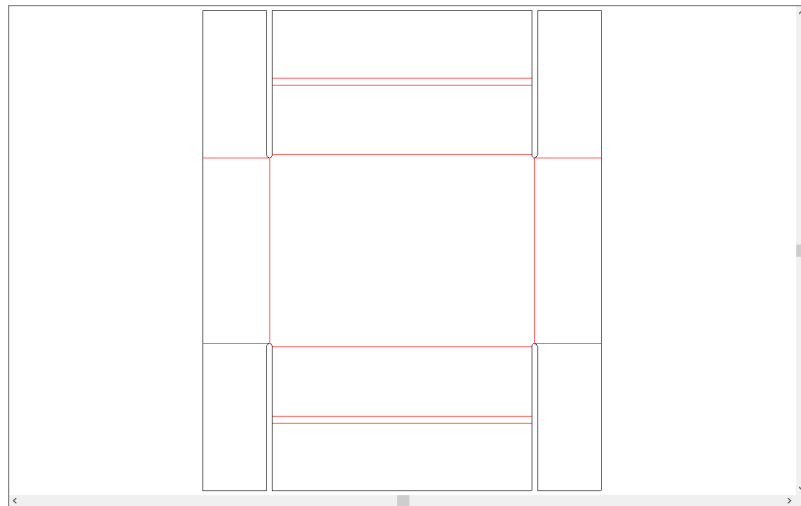


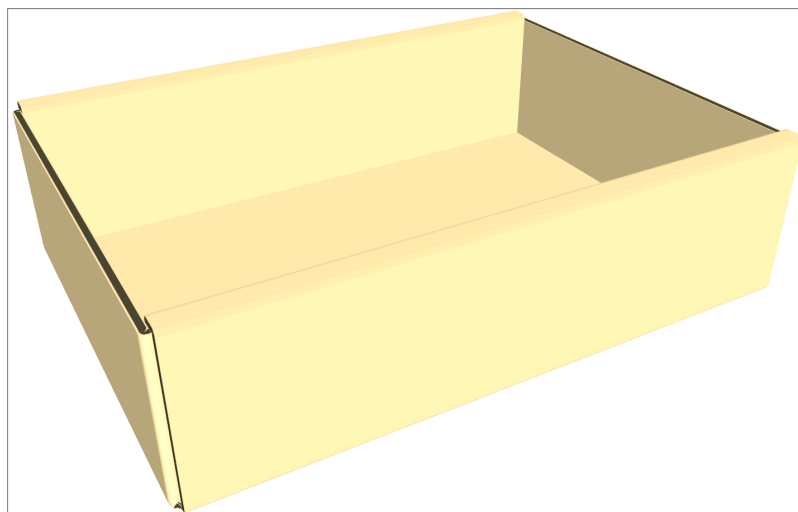
0454



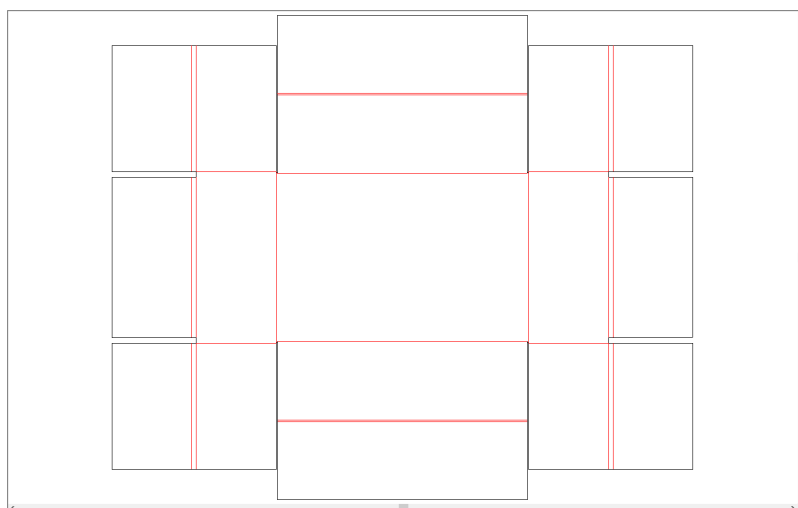


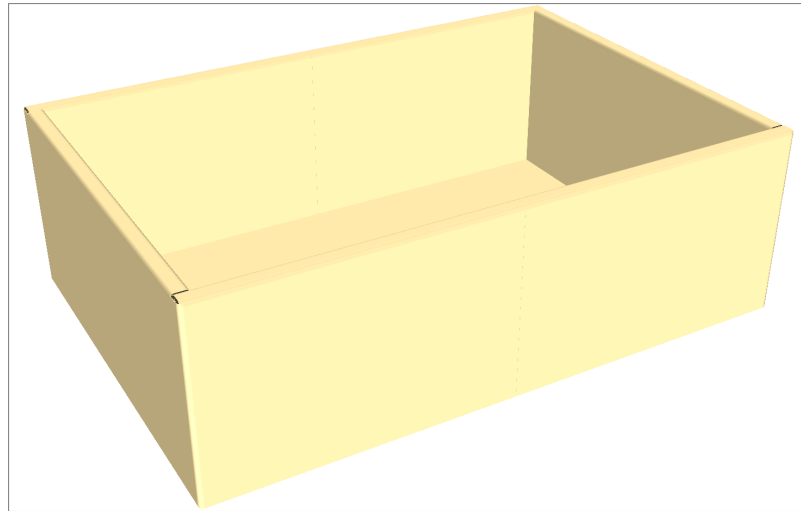
0455



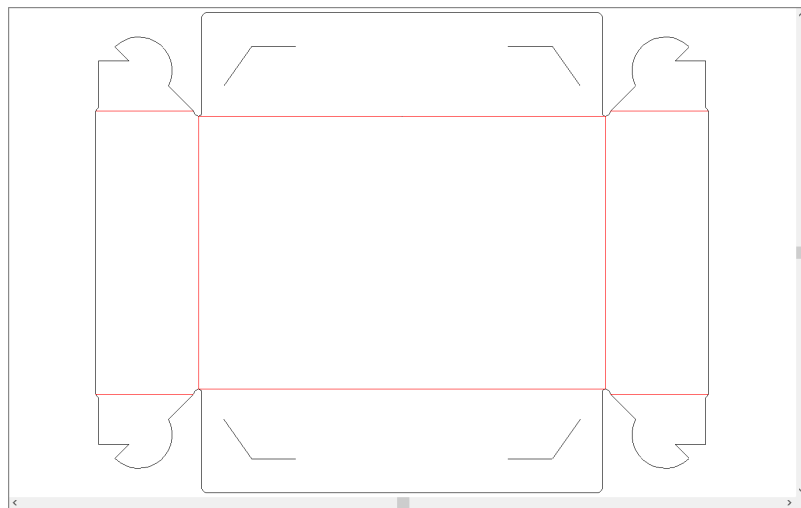


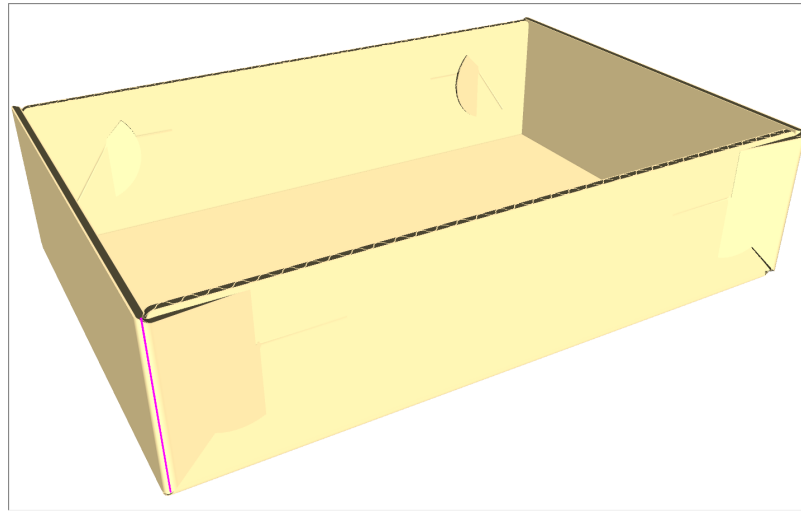
0456



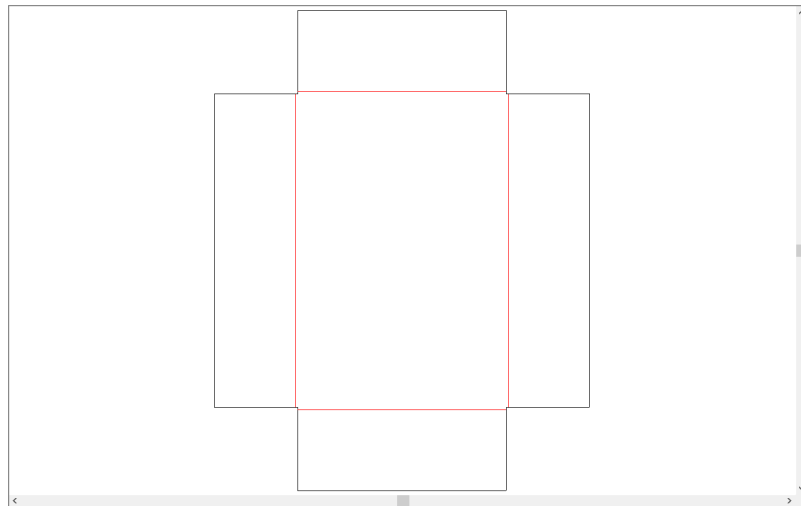


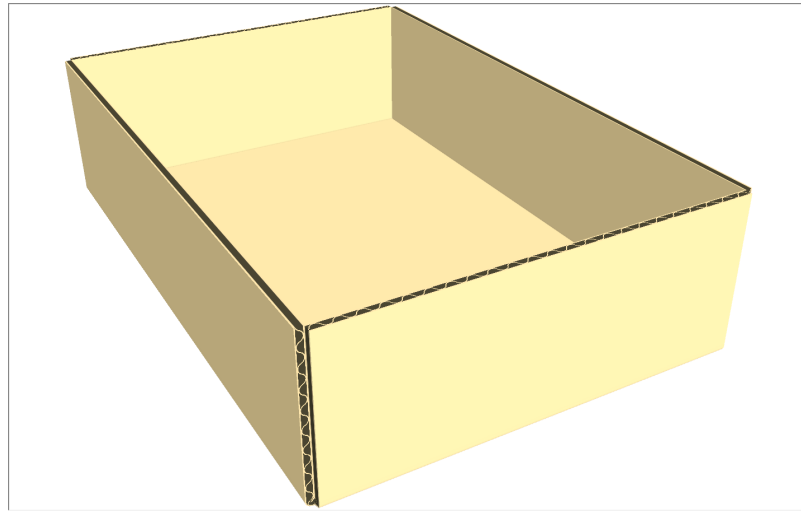
0457



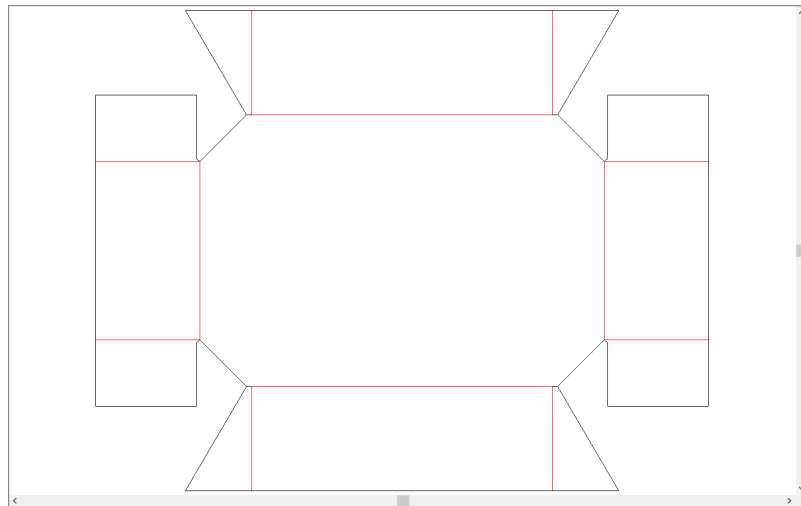


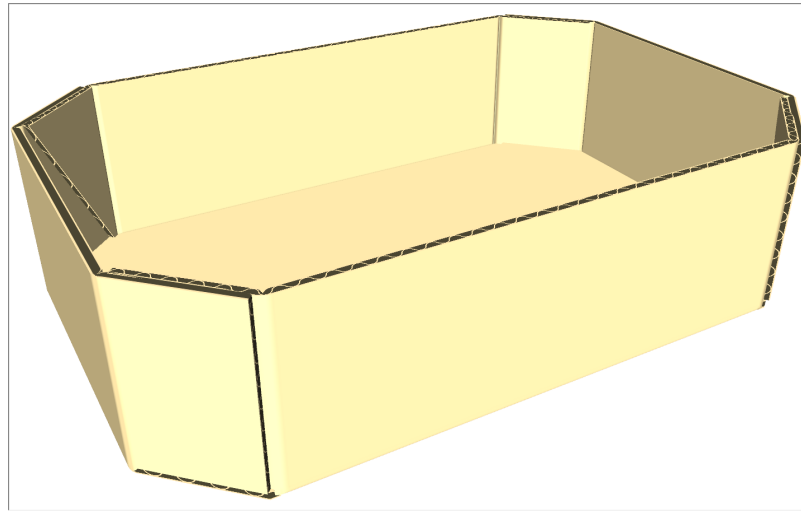
0458



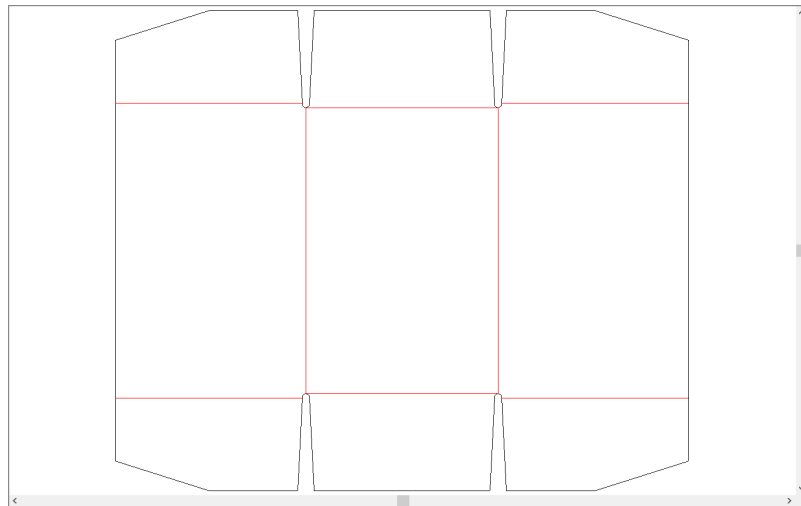


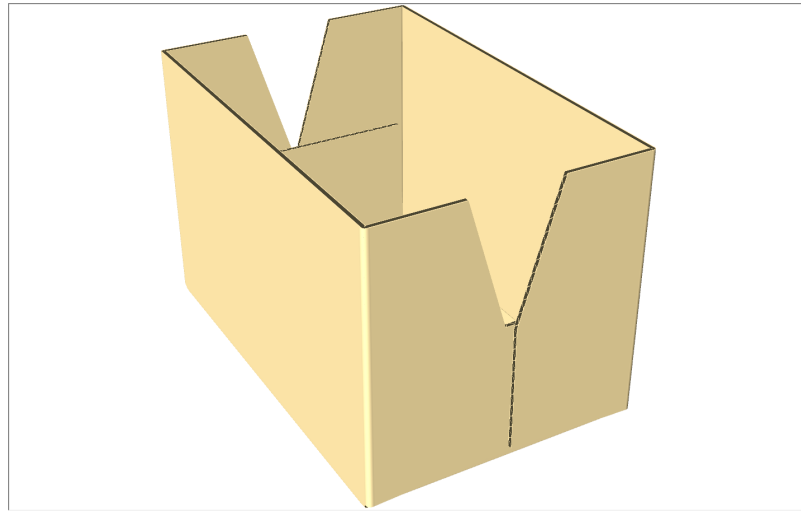
0459



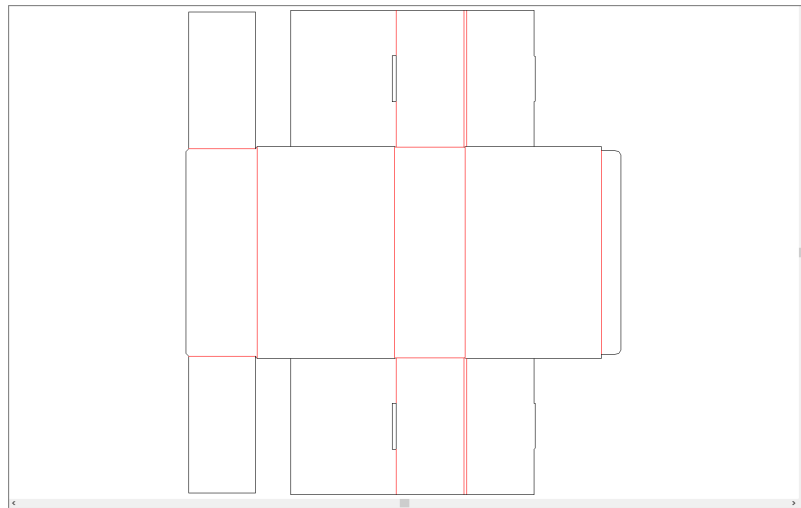


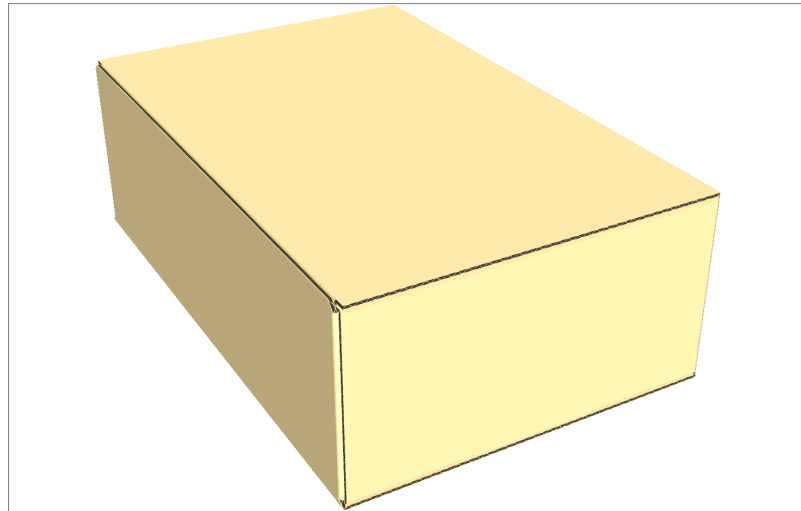
0460



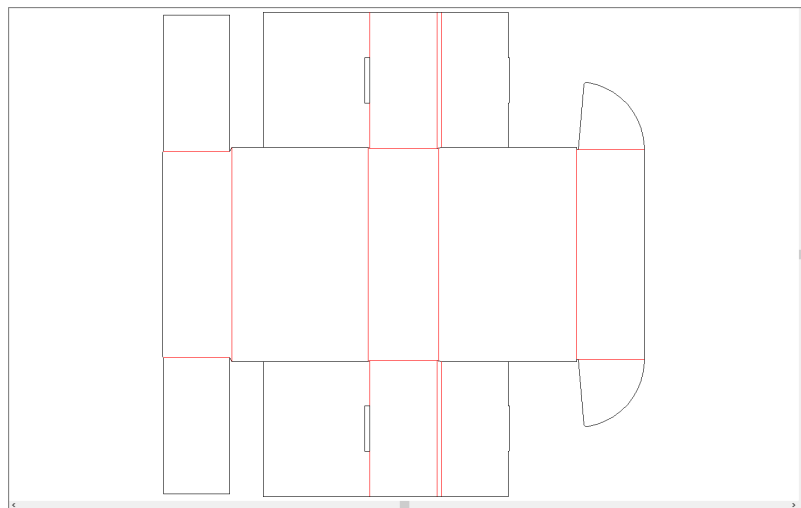


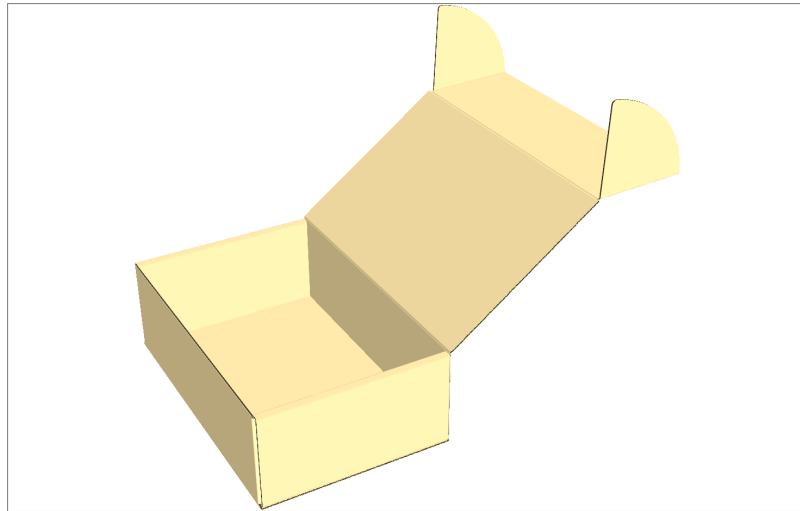
0470



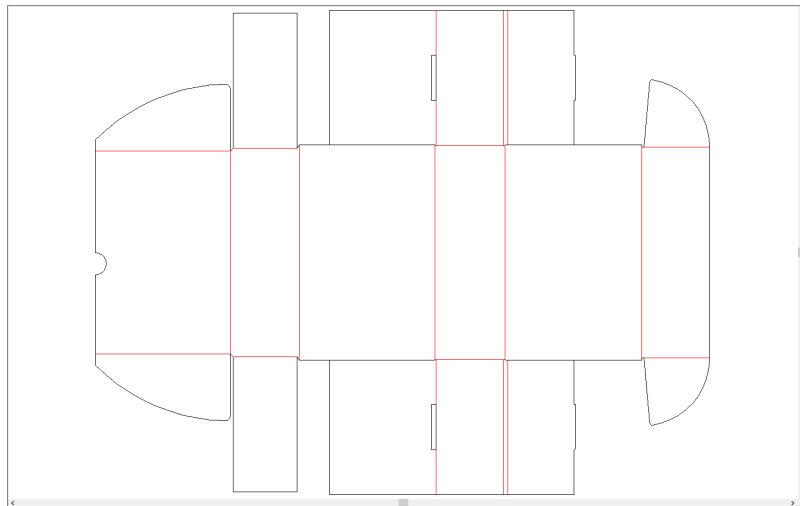


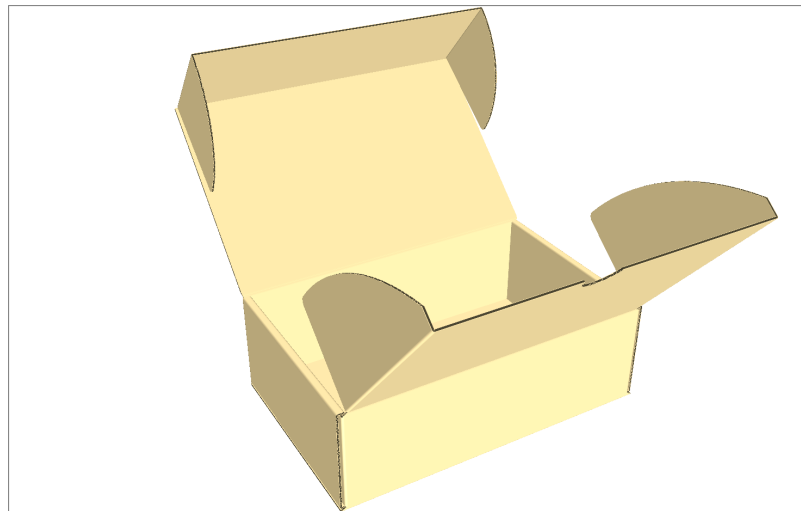
0471



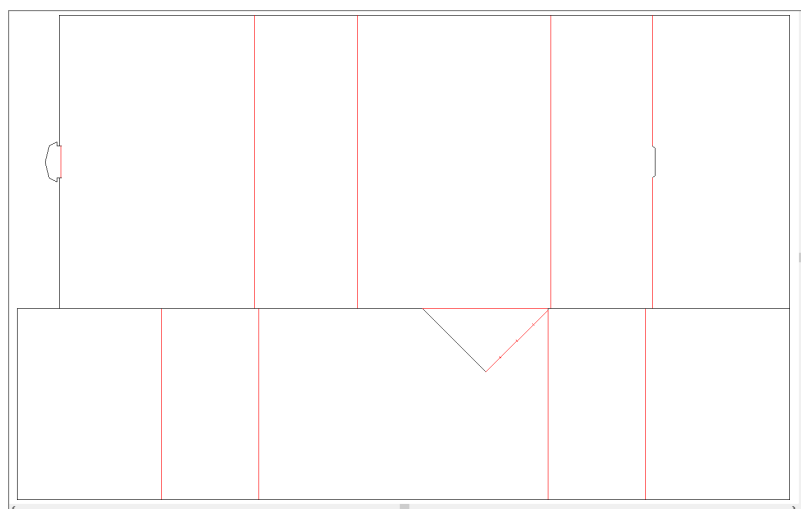


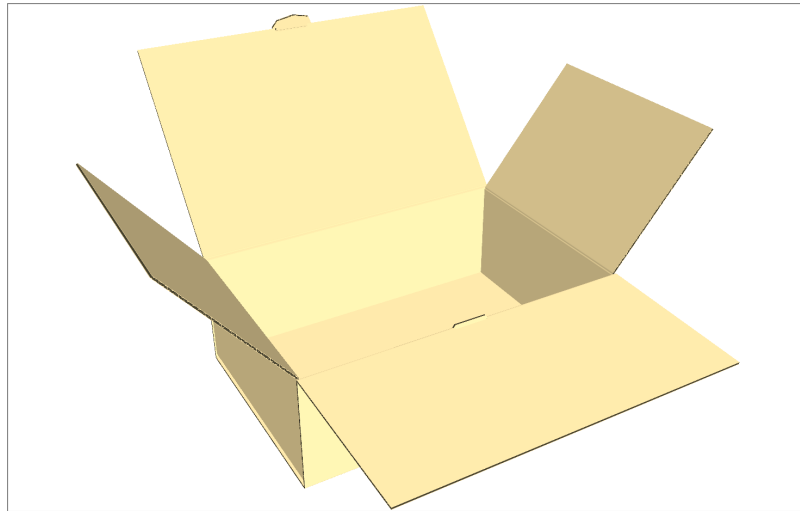
0472



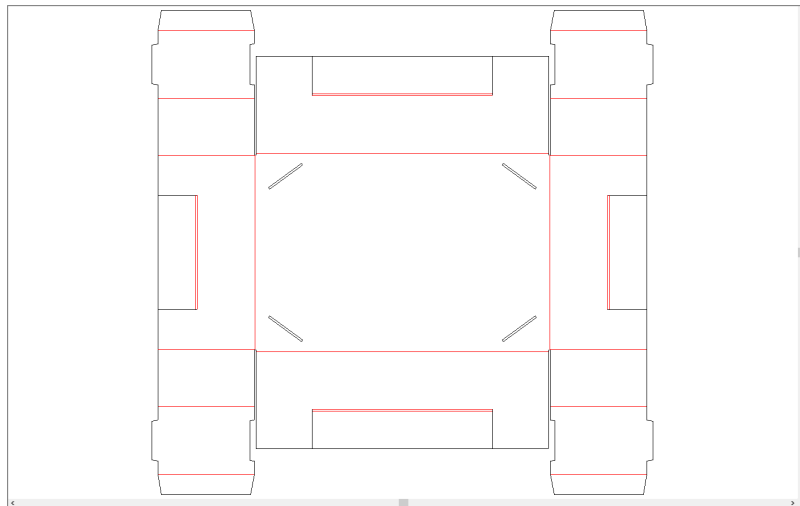


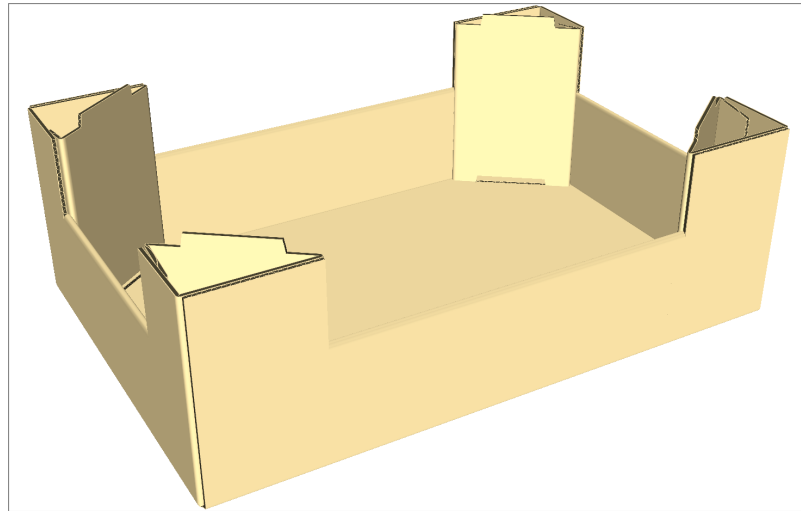
0473





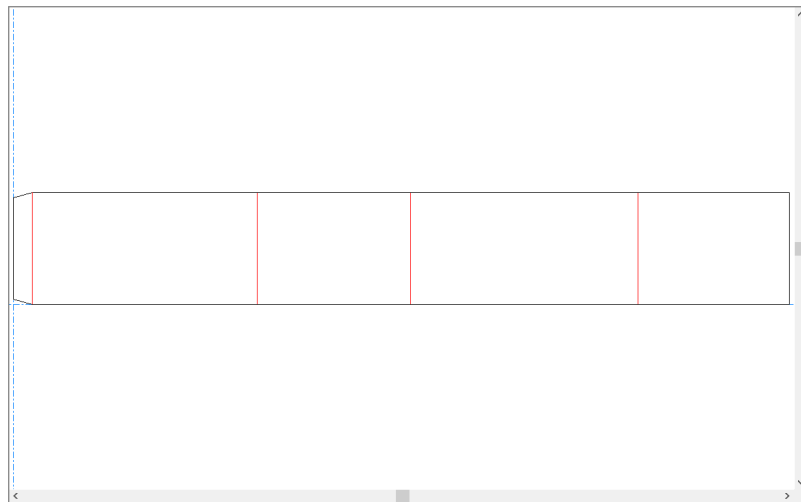
0483

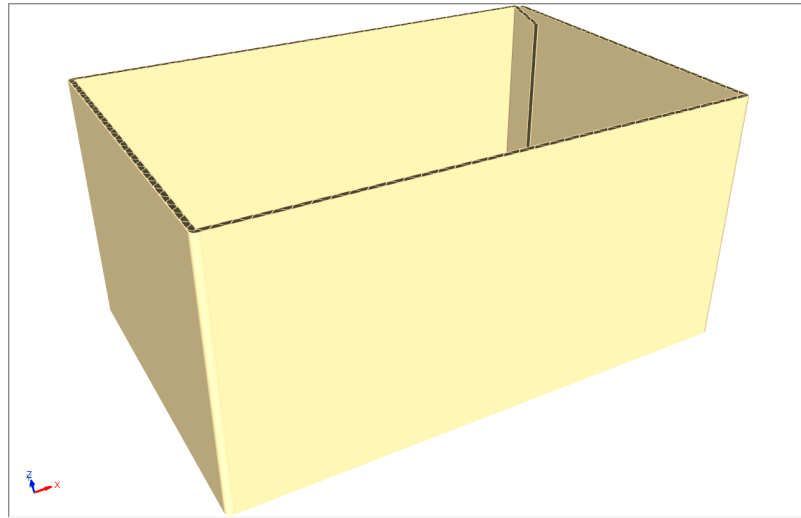




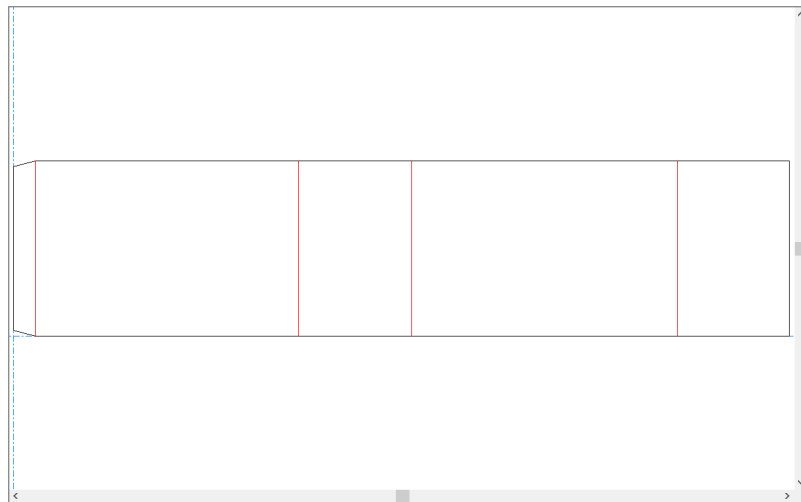
0500 Series

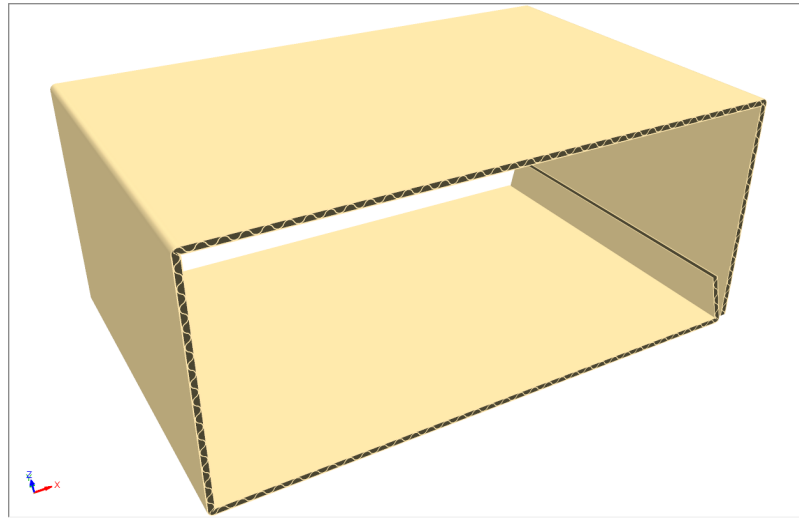
0501



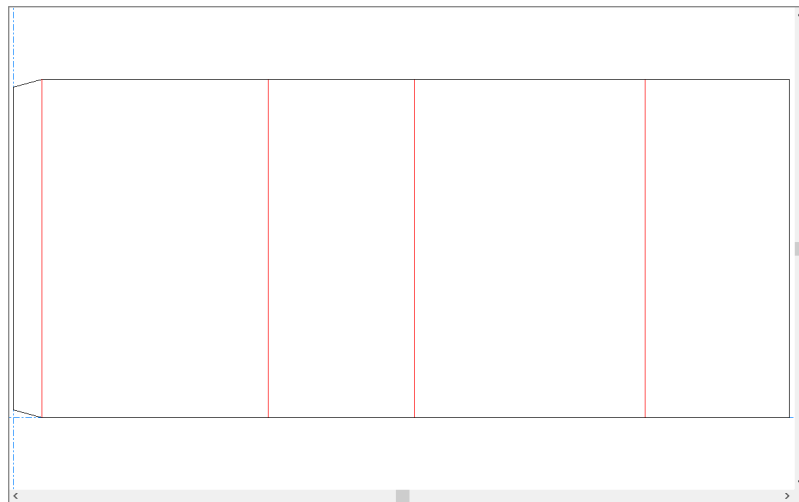


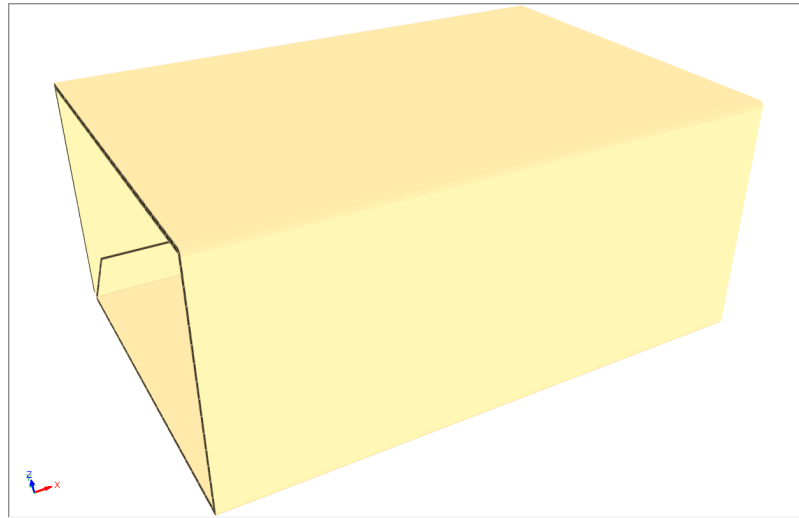
0502



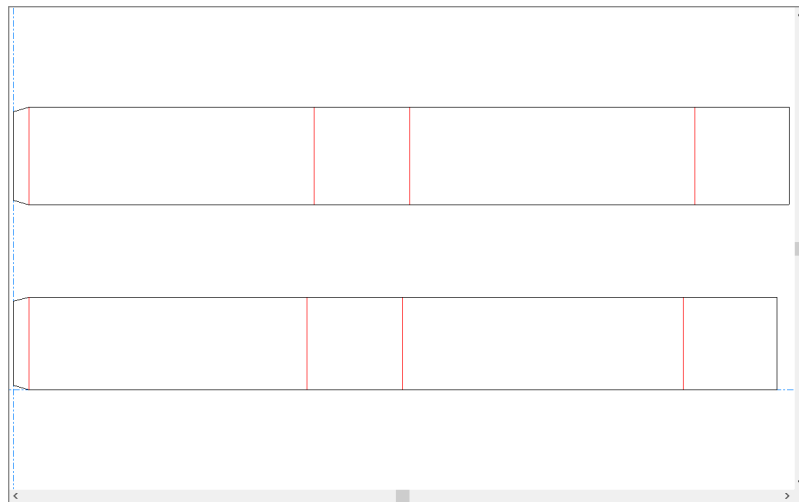


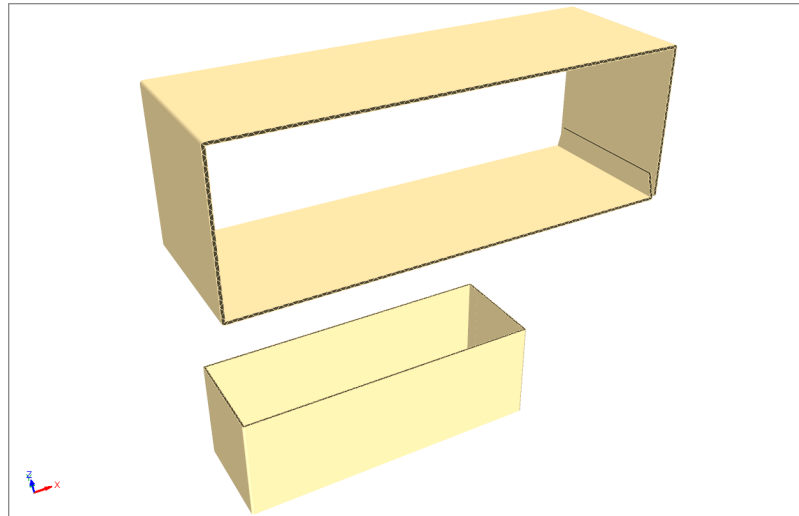
0503



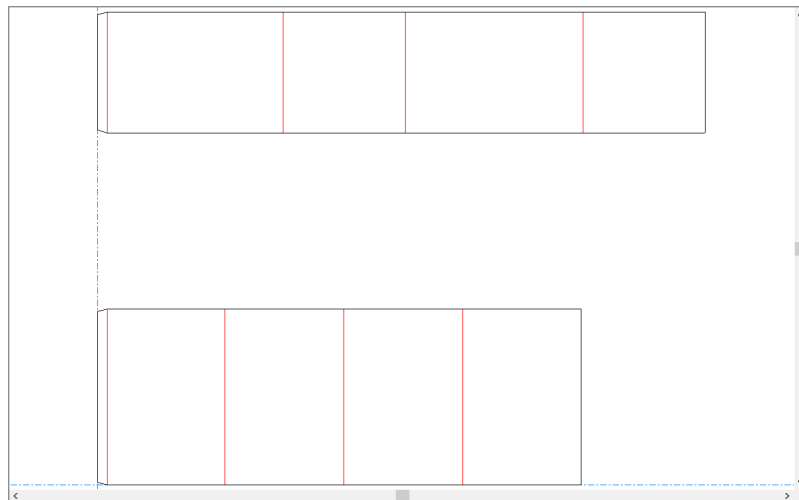


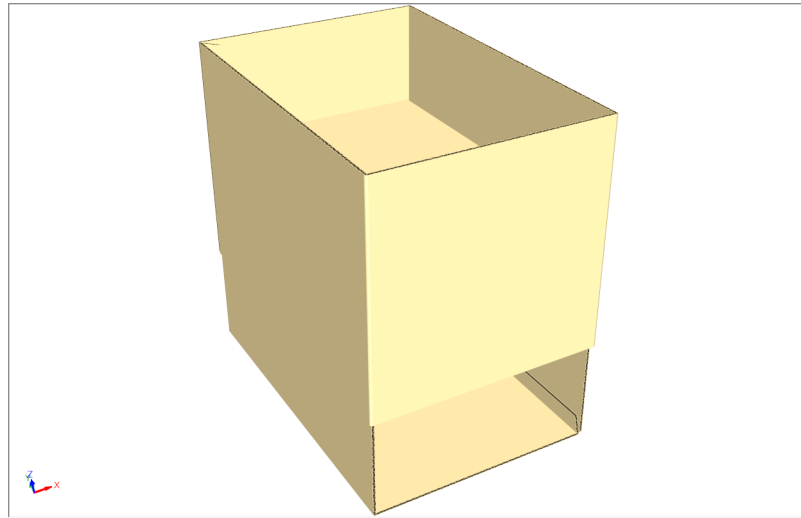
0504



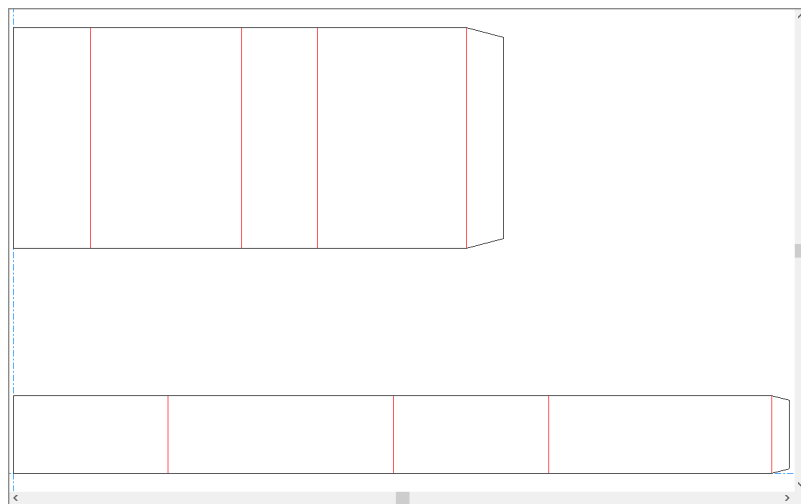


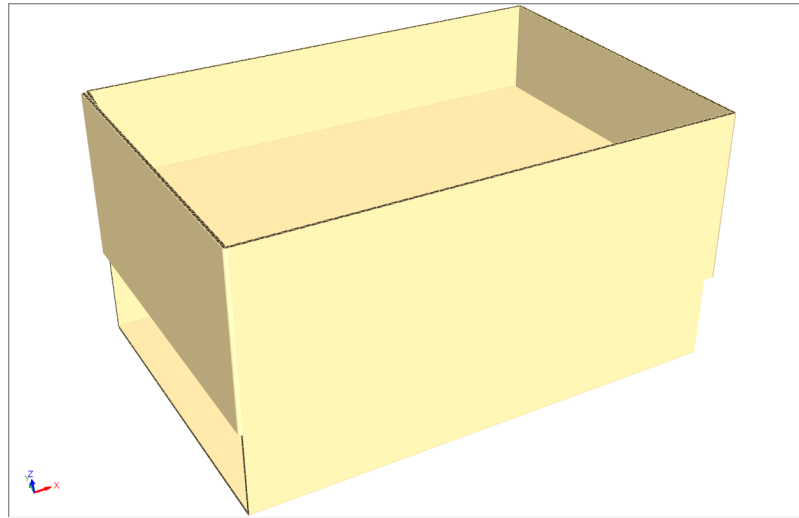
0507



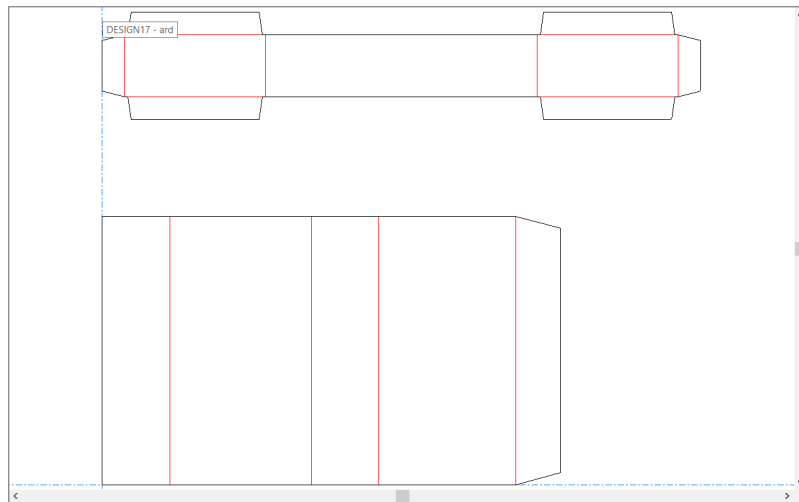


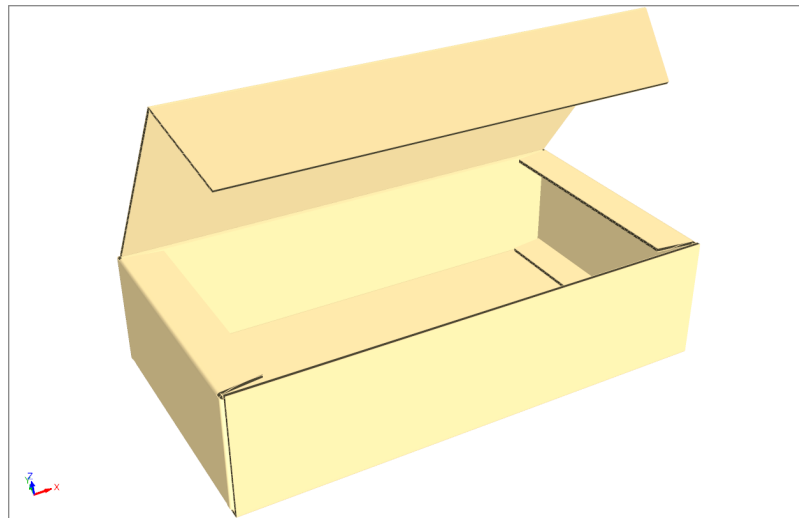
0510





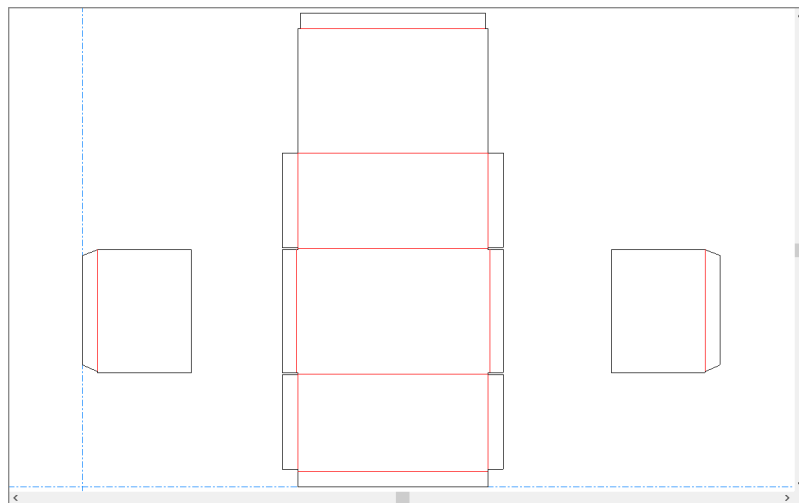
0511

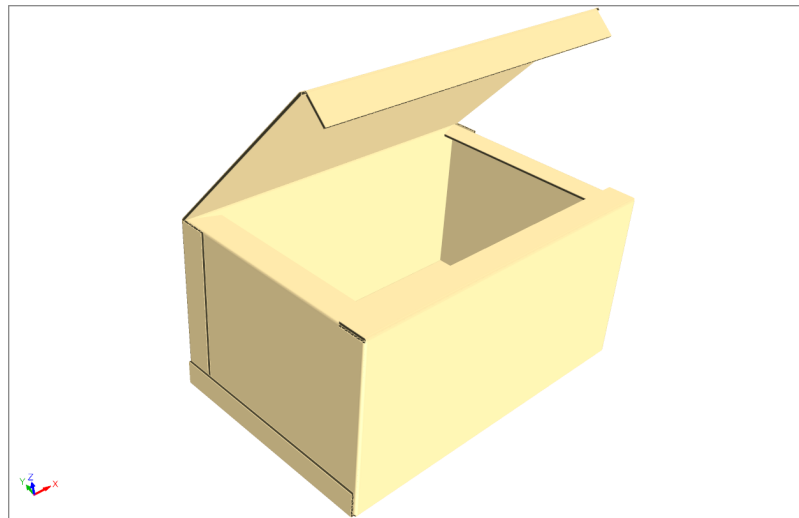




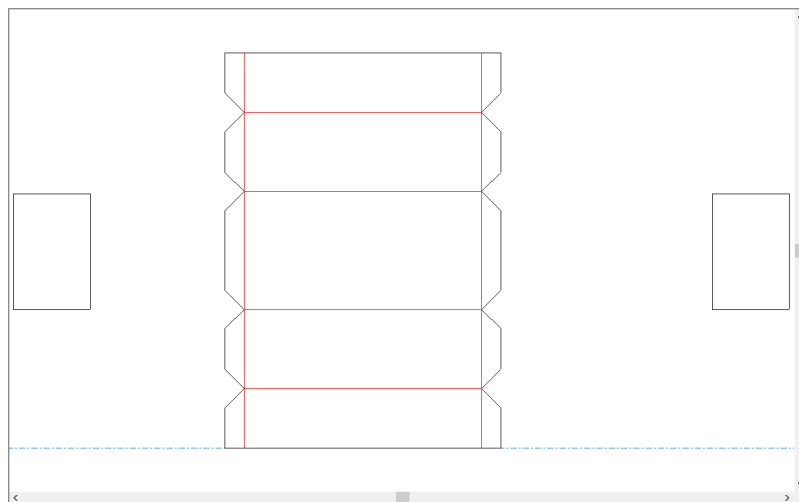
0600 Series

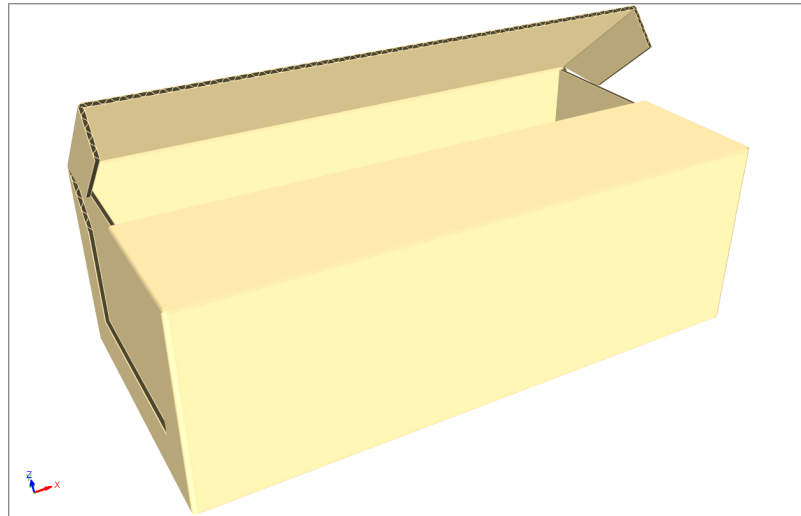
0602



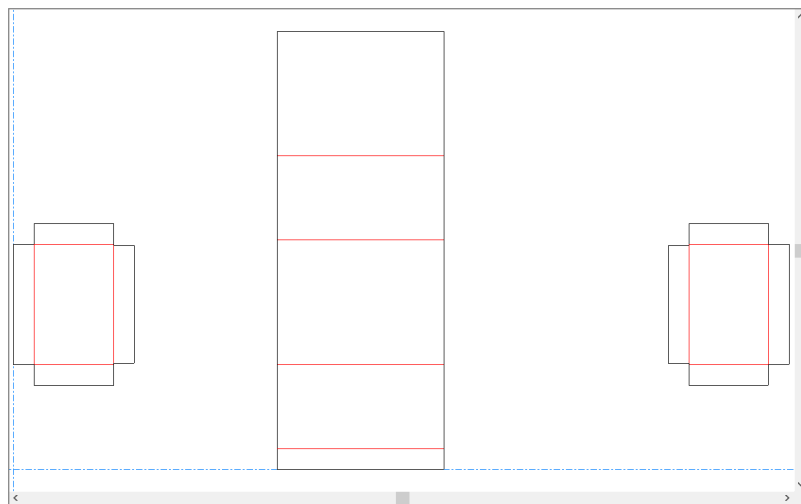


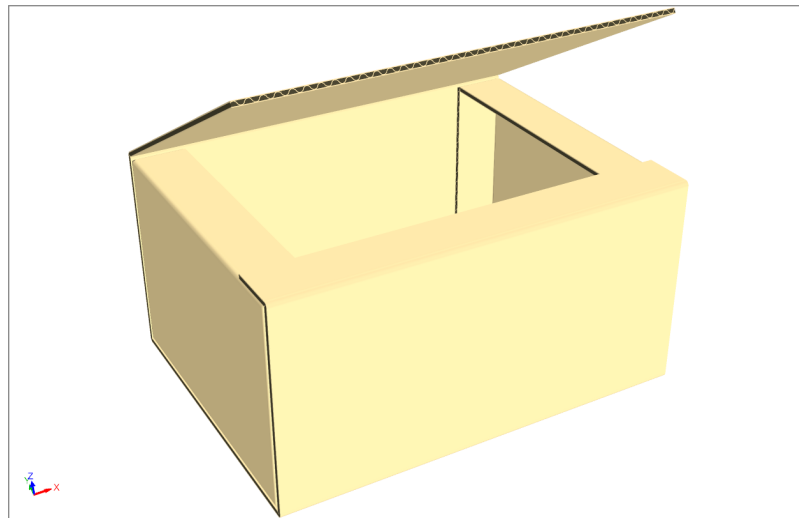
0606



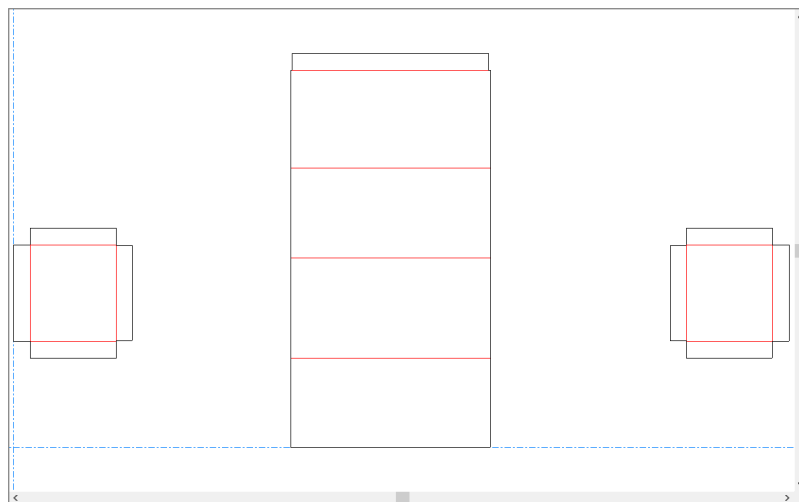


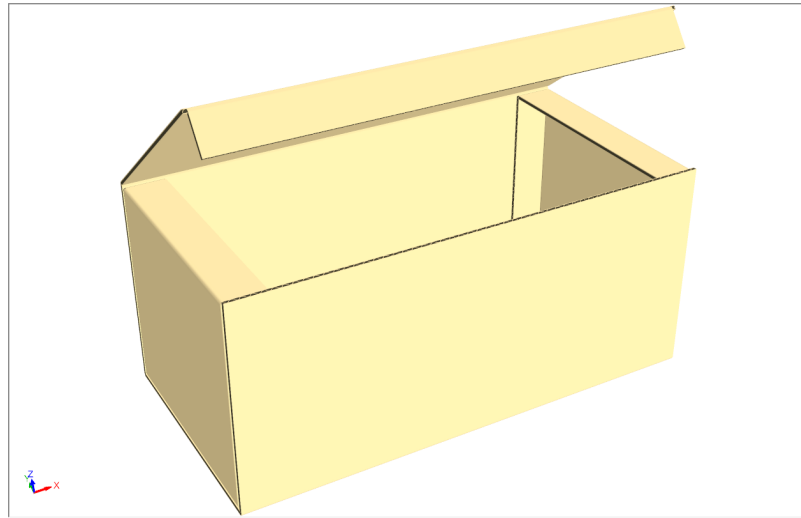
0607



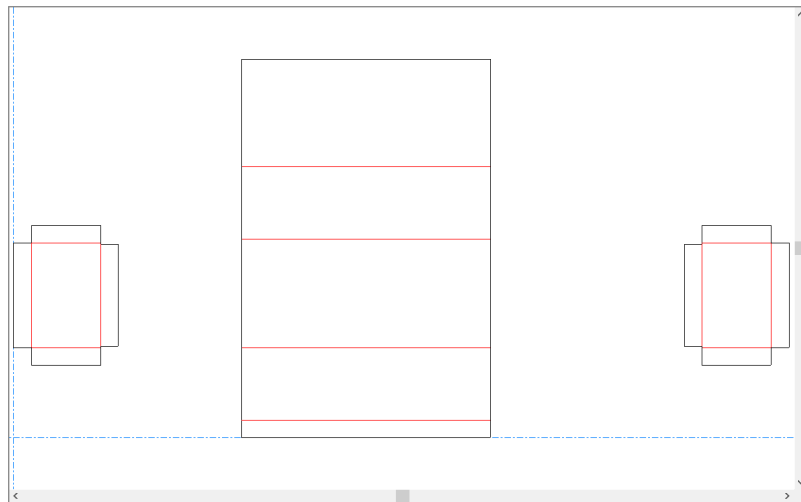


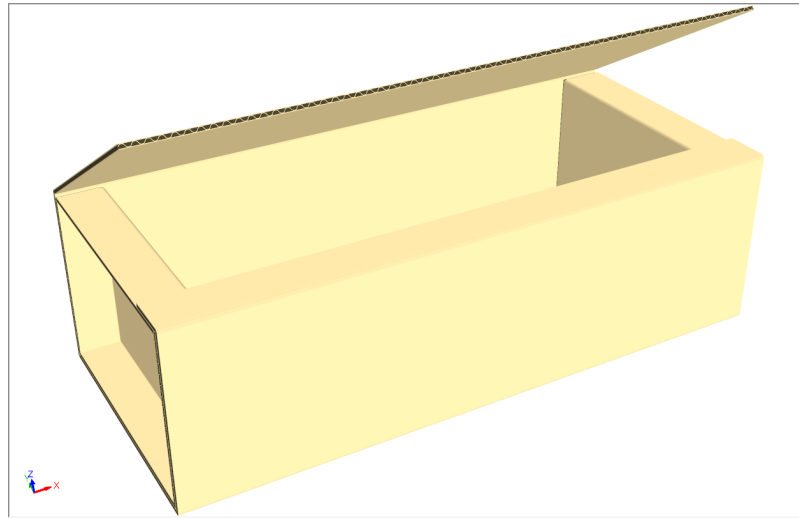
0608



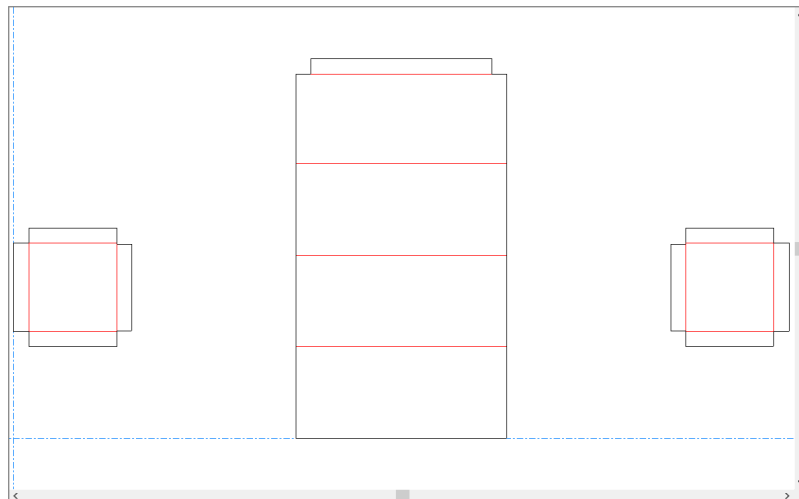


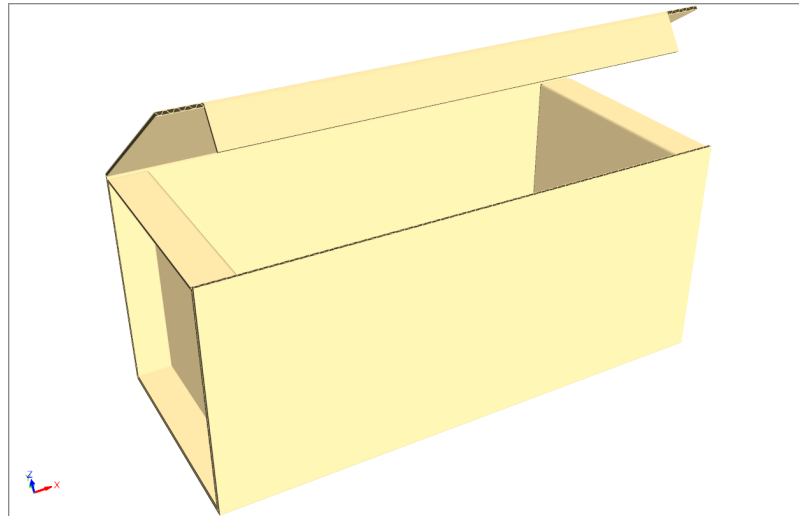
0610



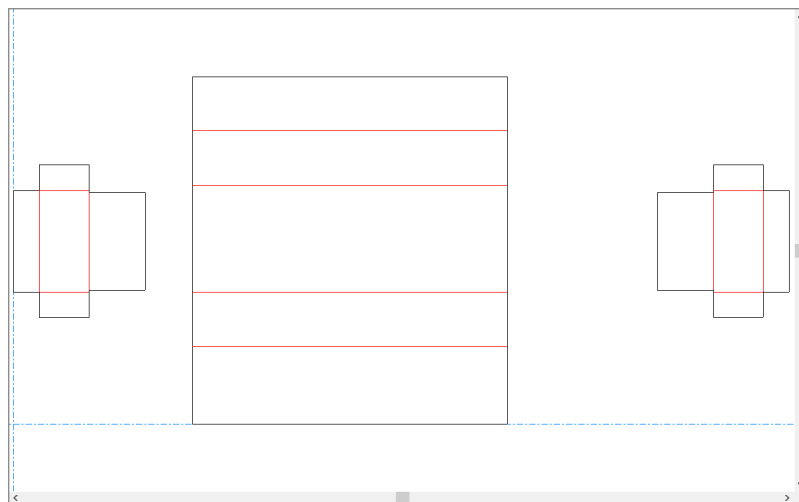


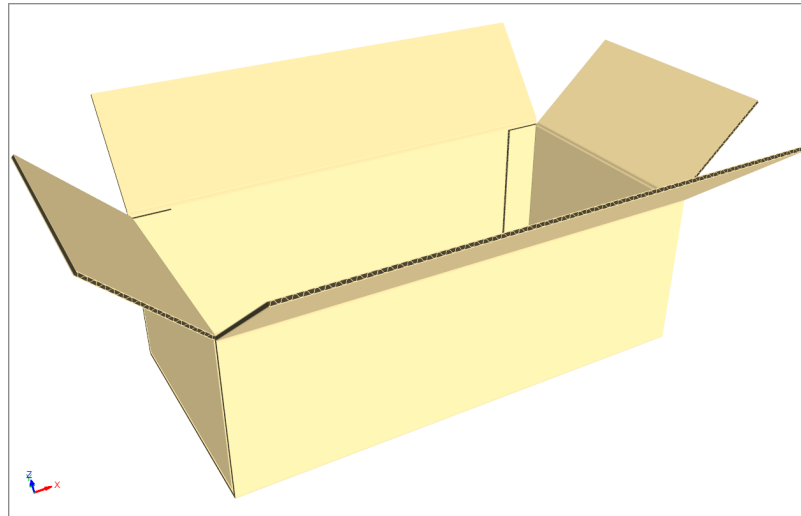
0616



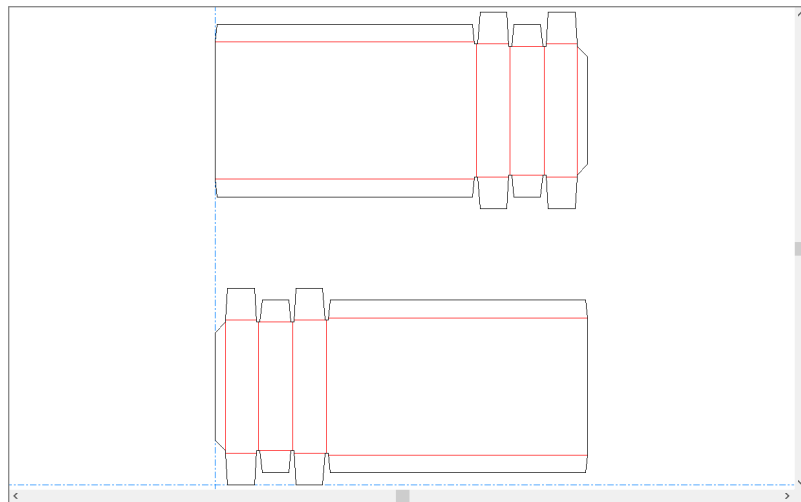


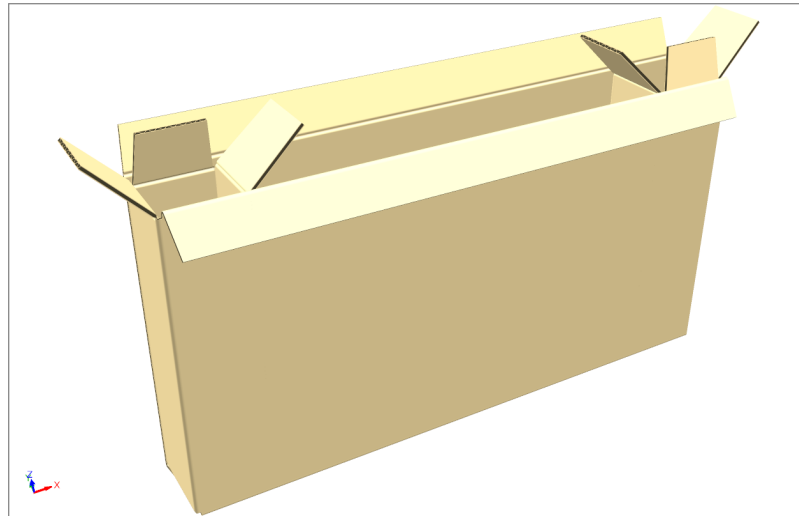
0620





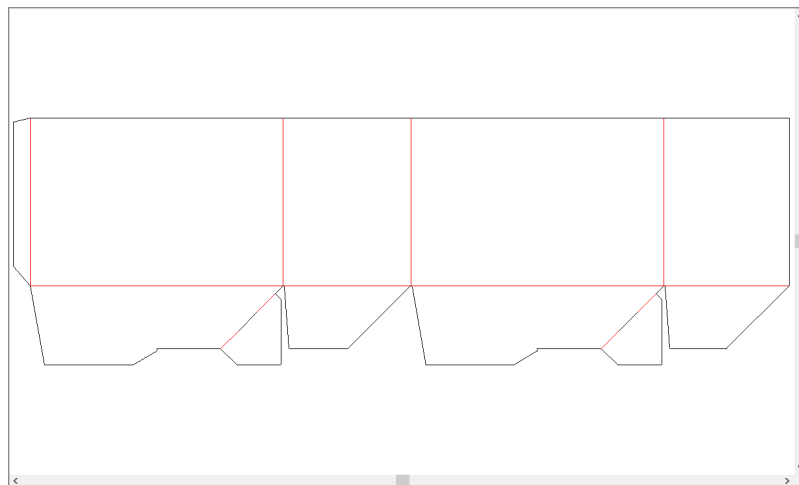
0621

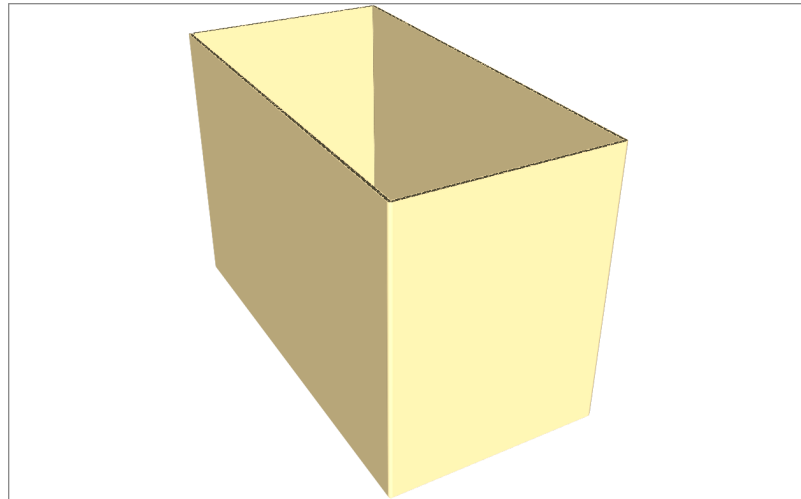




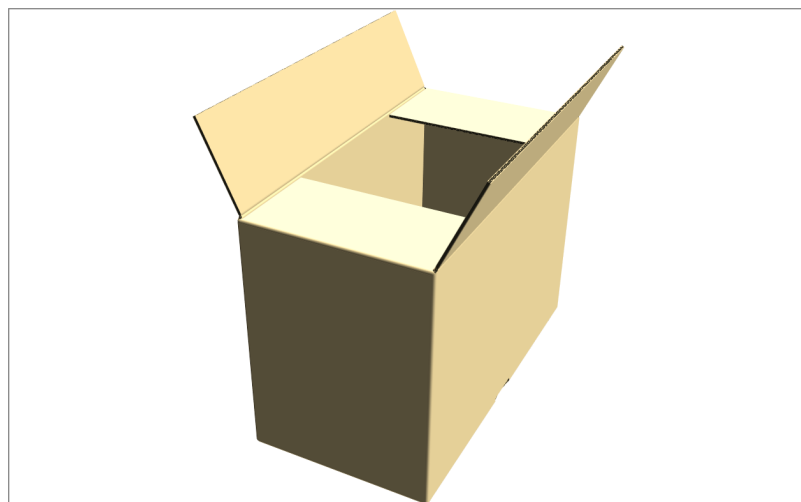
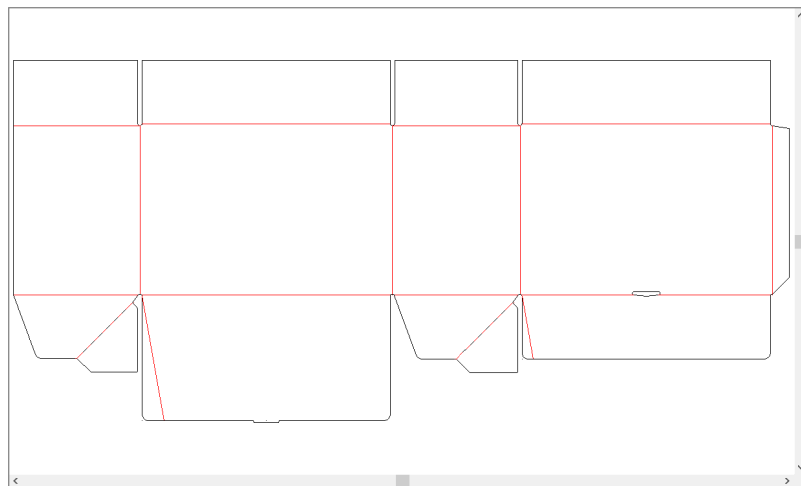
0700 Series

0700

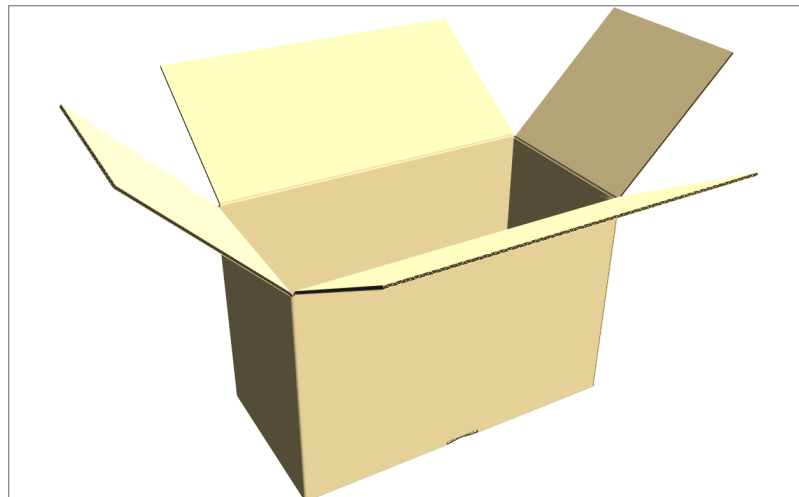
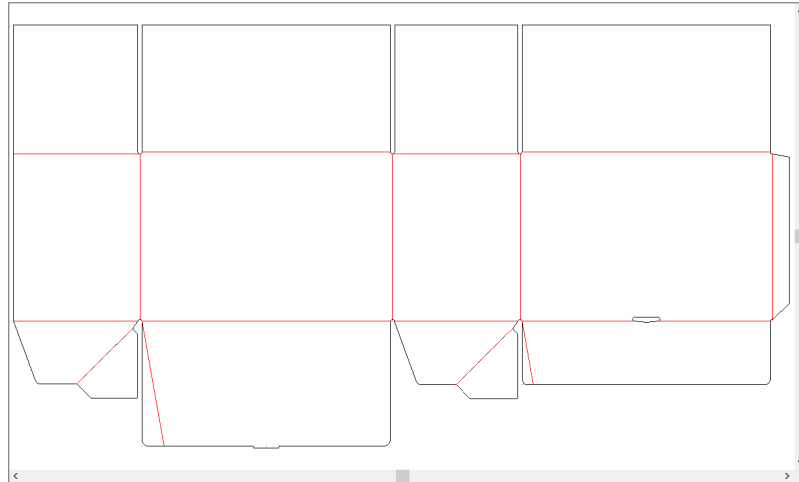




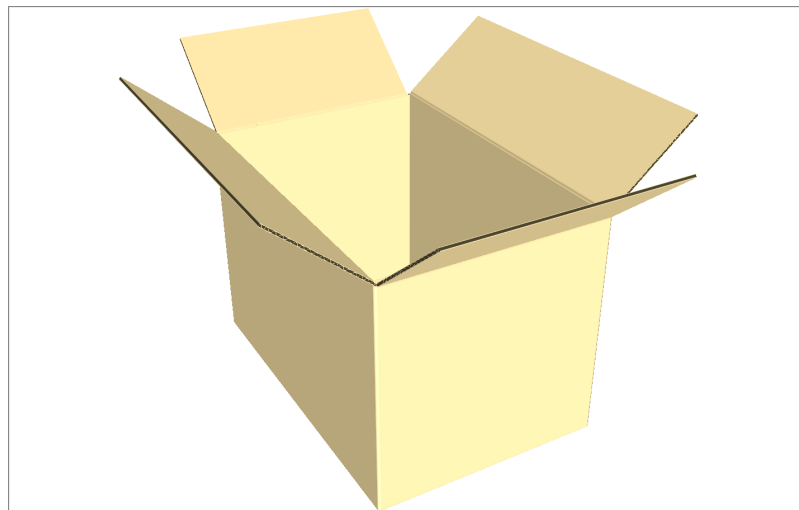
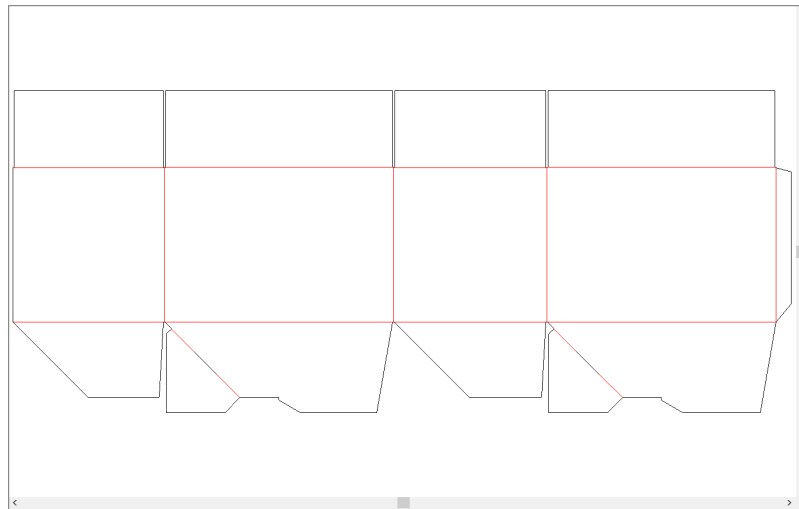
0701



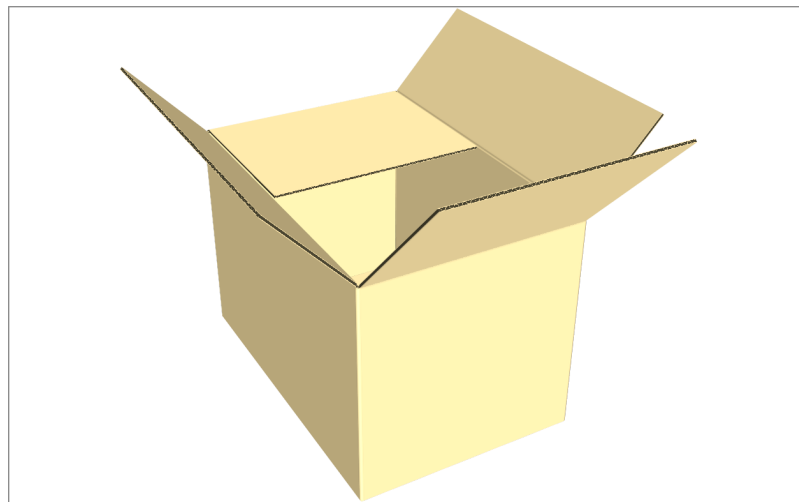
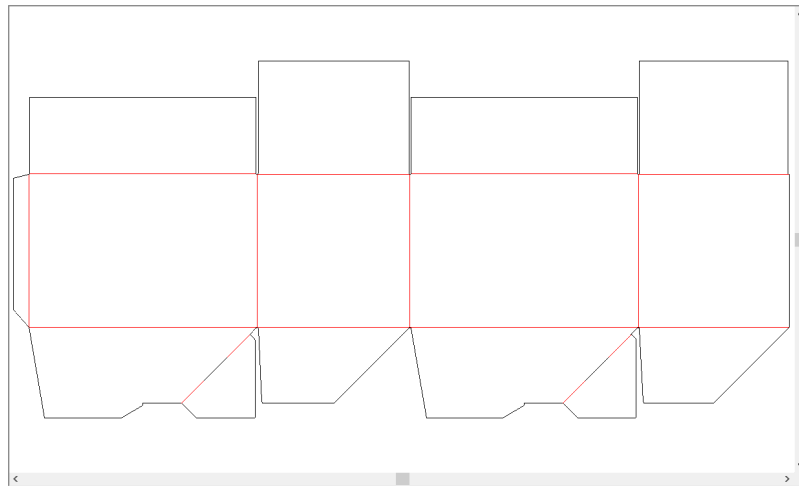
0703



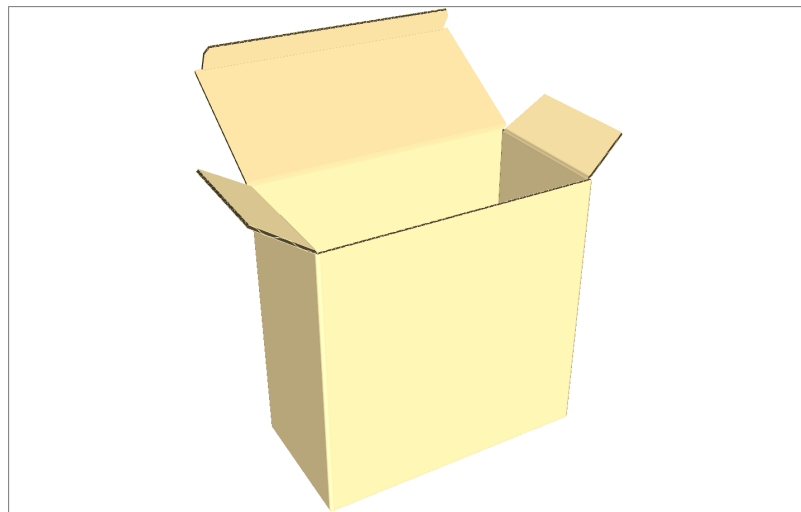
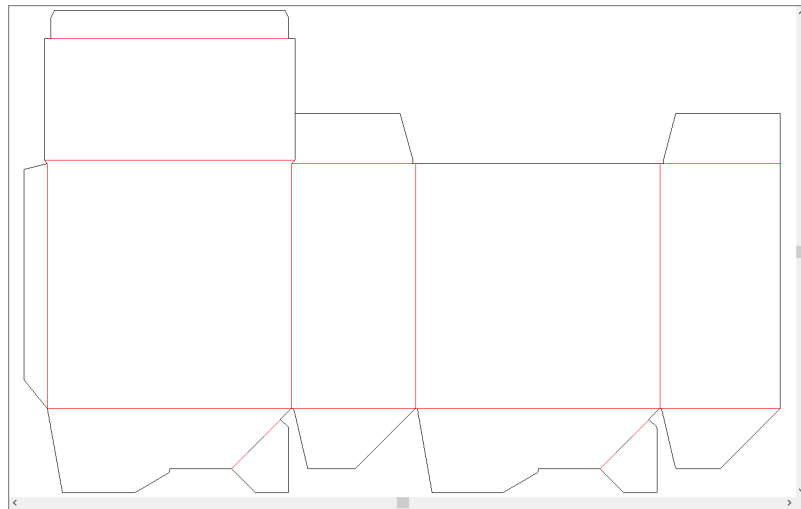
0711



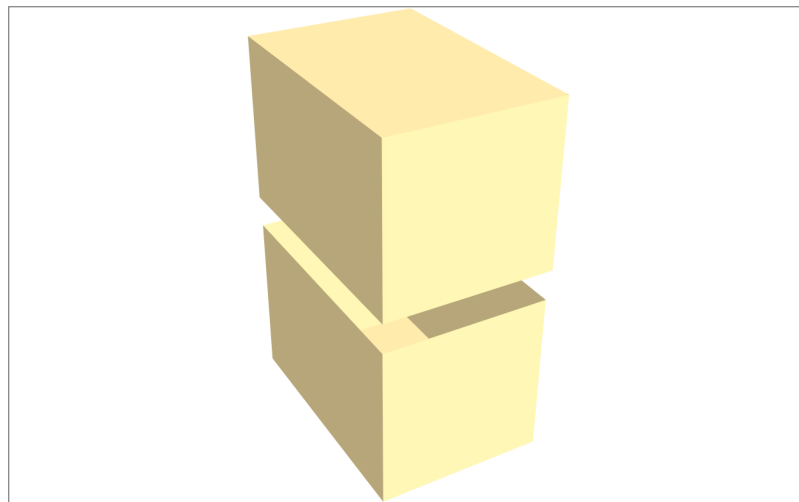
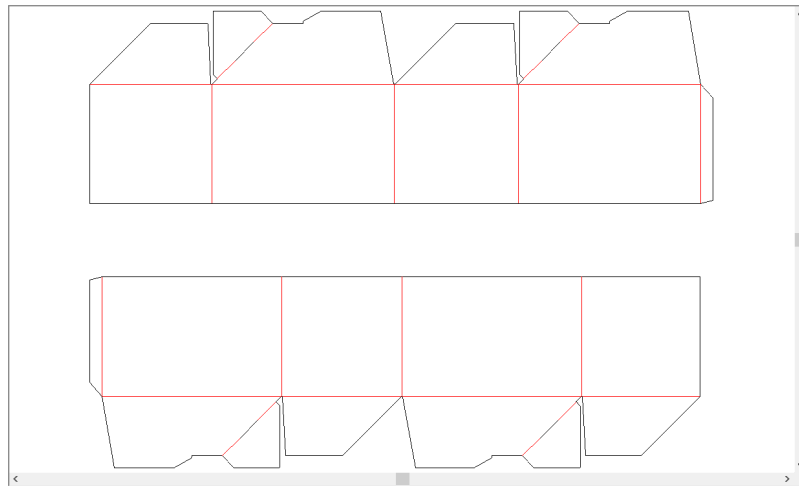
0712



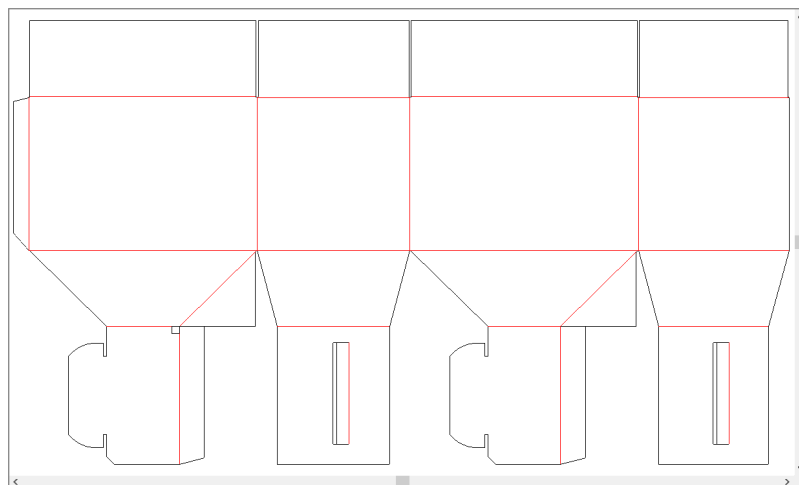
0713

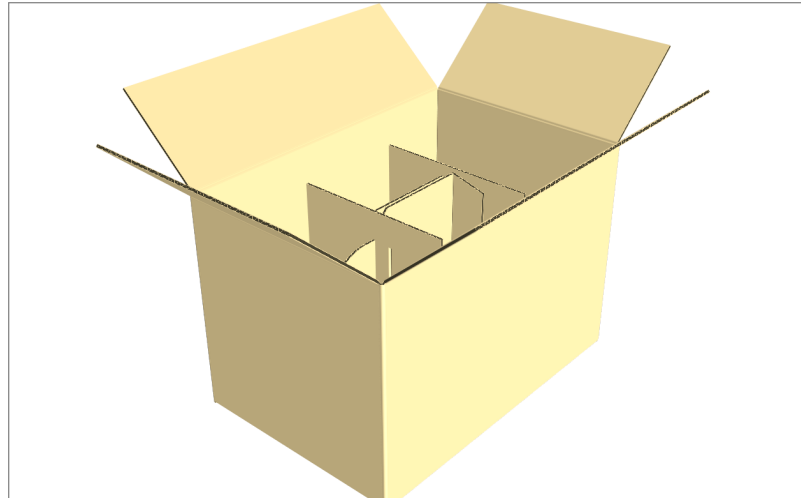


0714

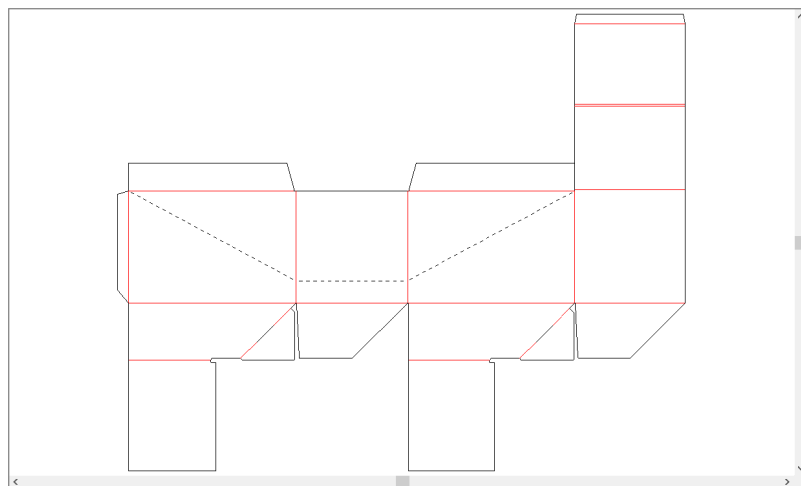


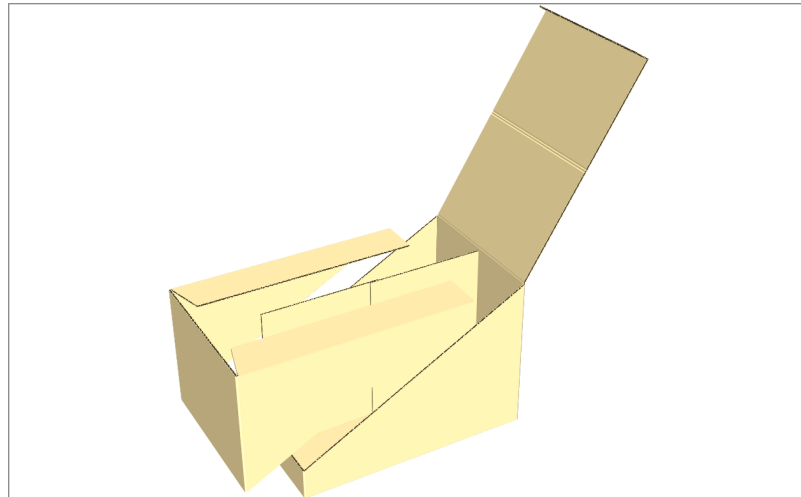
0715



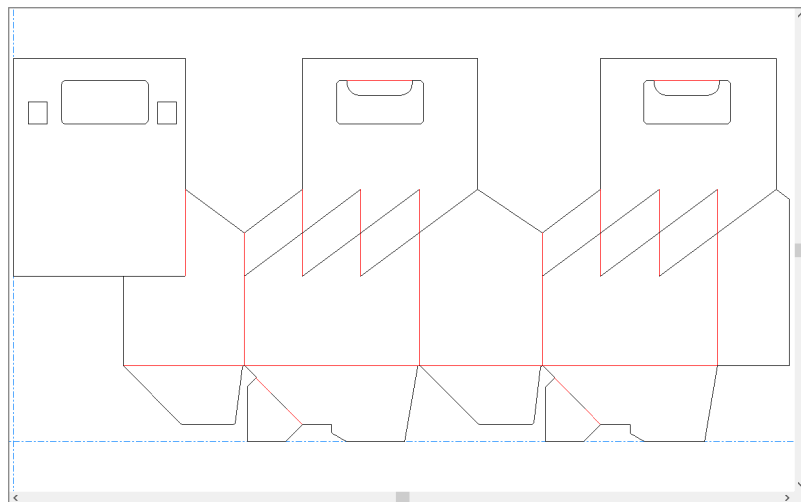


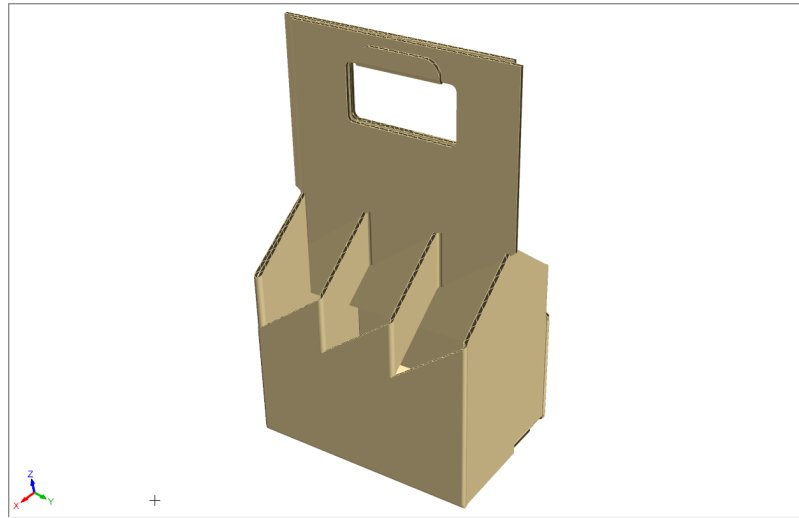
0716



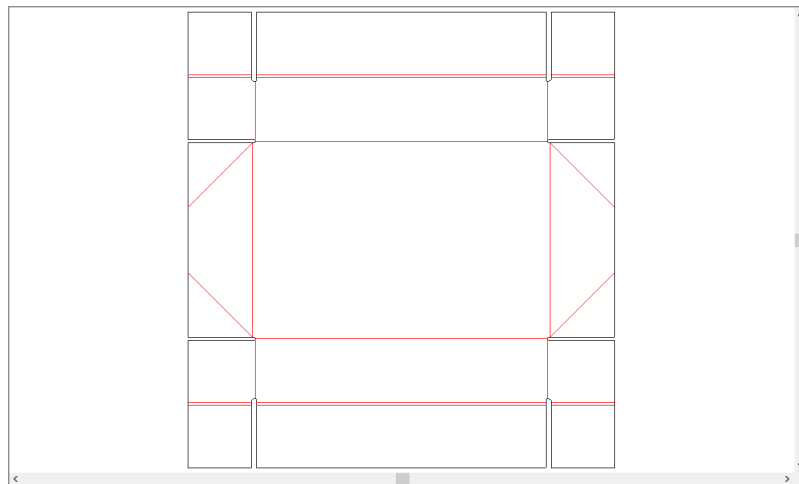


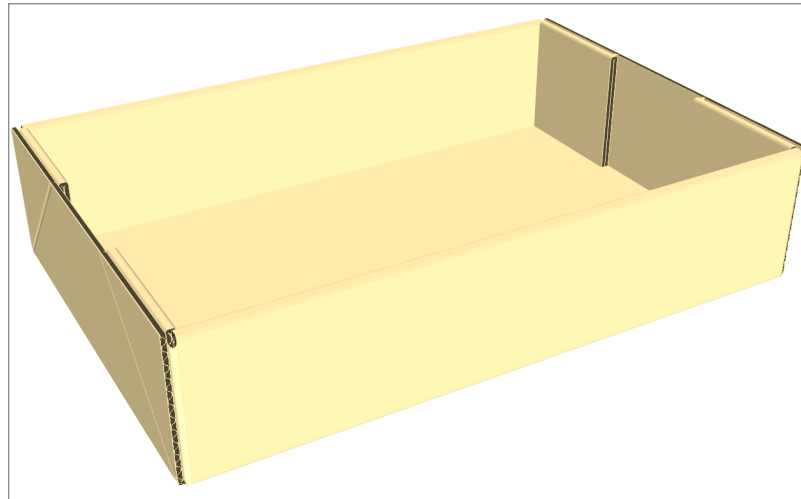
0717



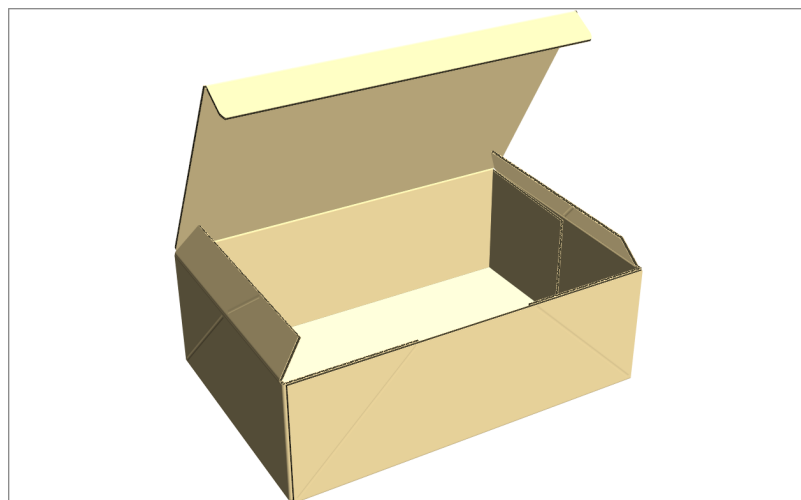
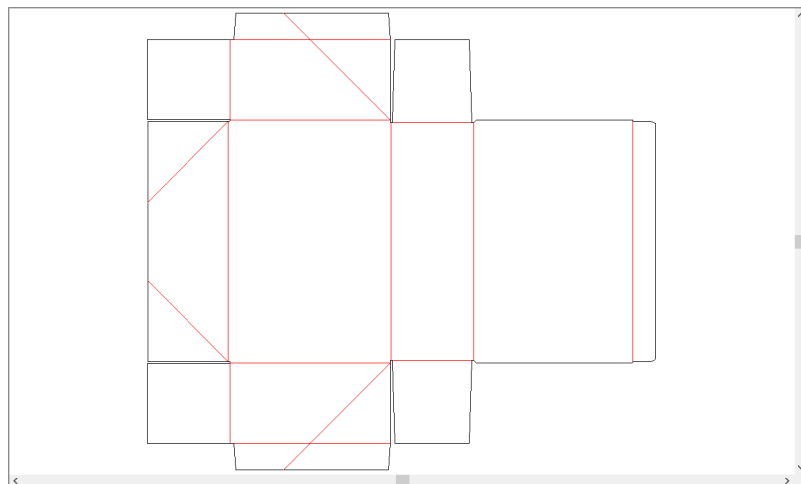


0718

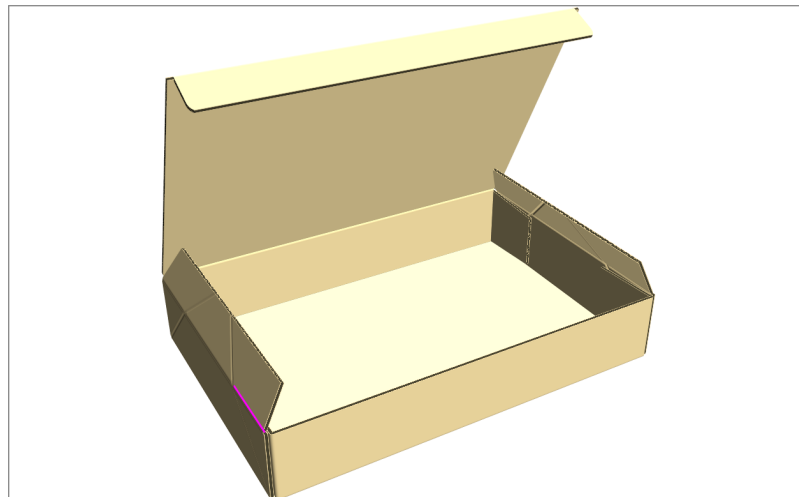
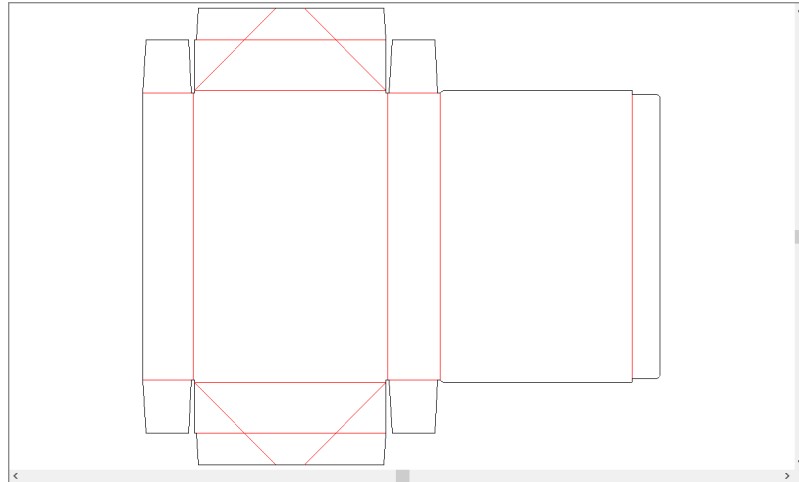




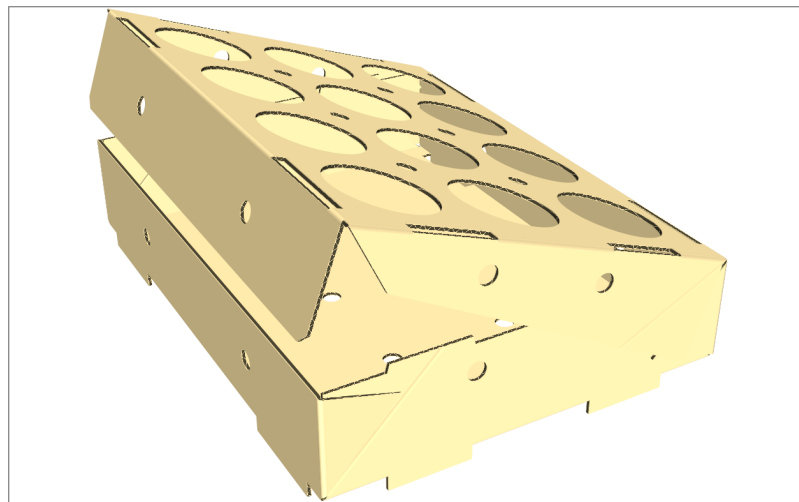
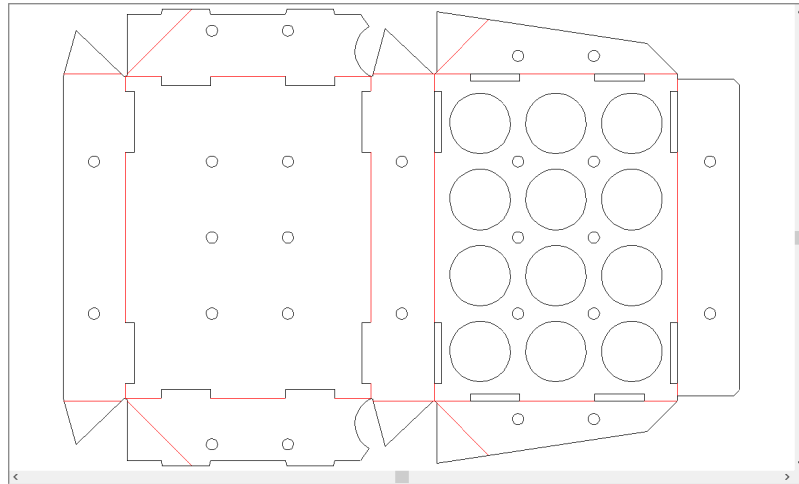
0747



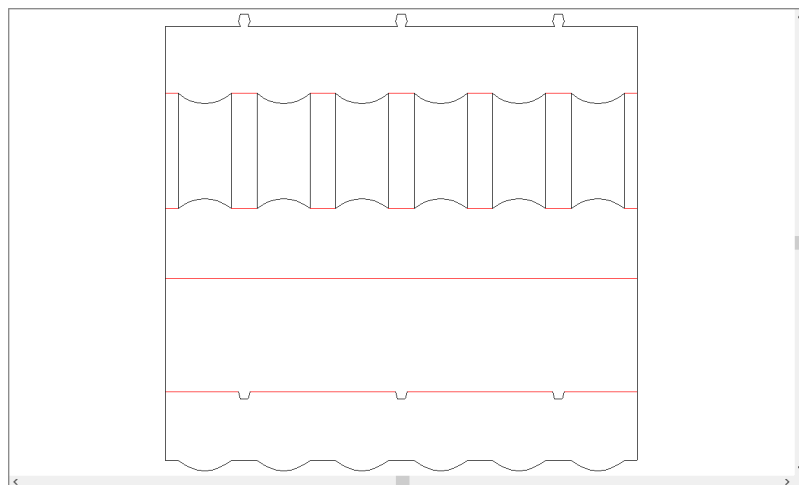
0748

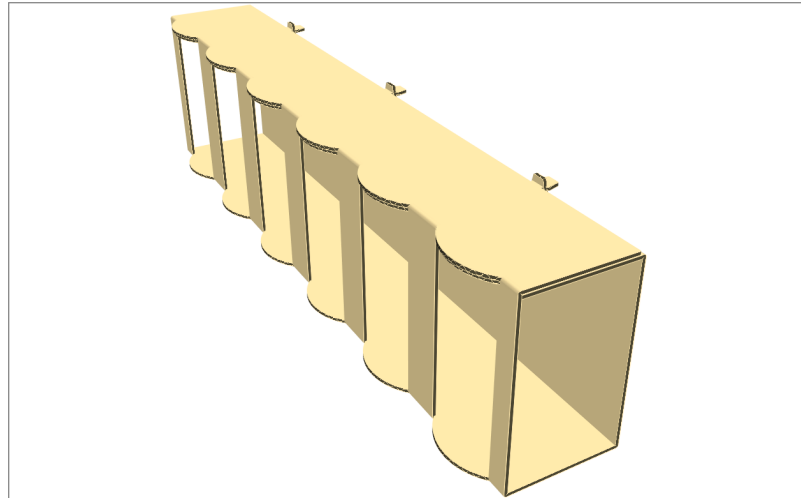


0750

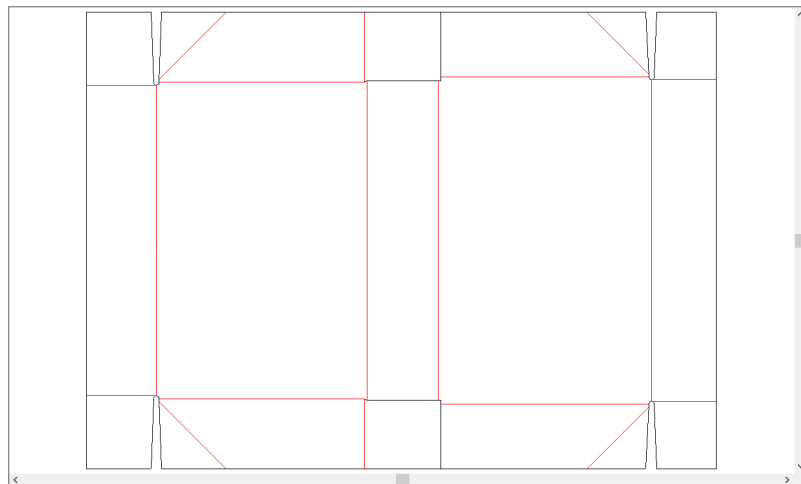


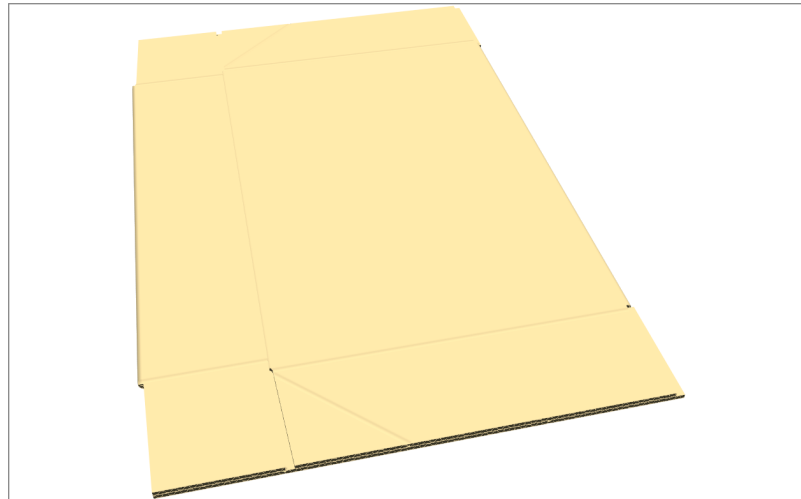
0752



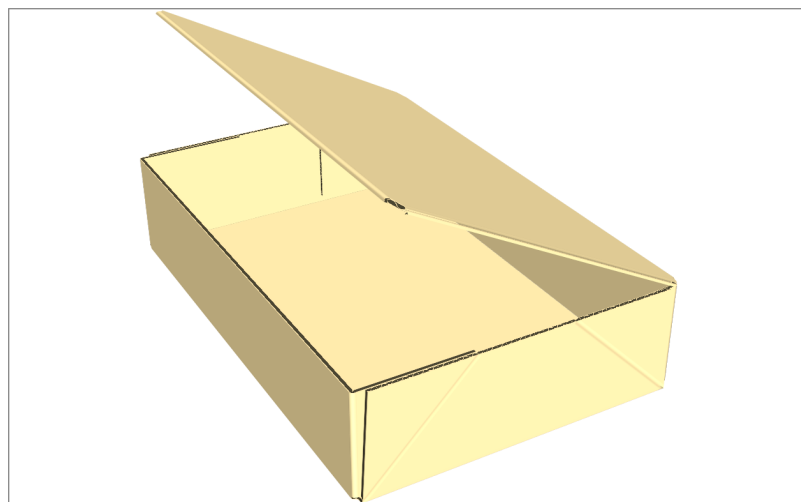
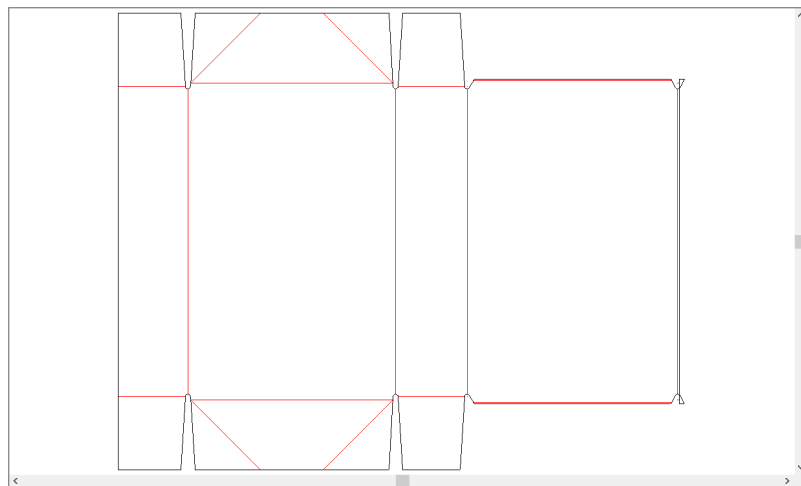


0759

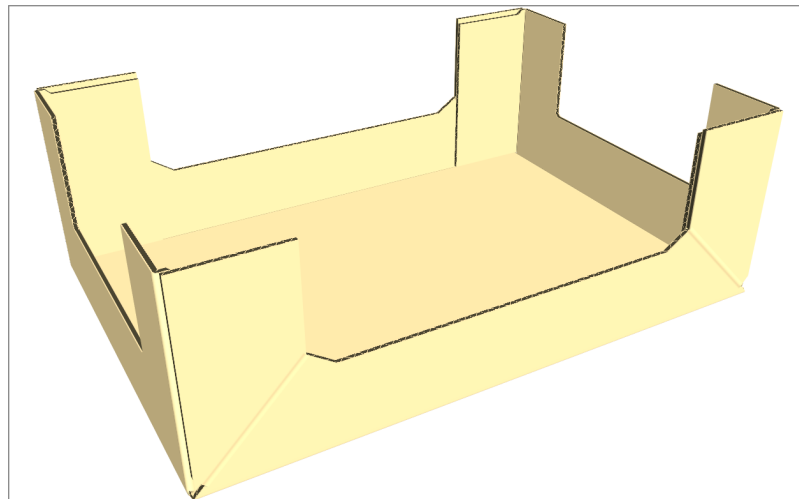
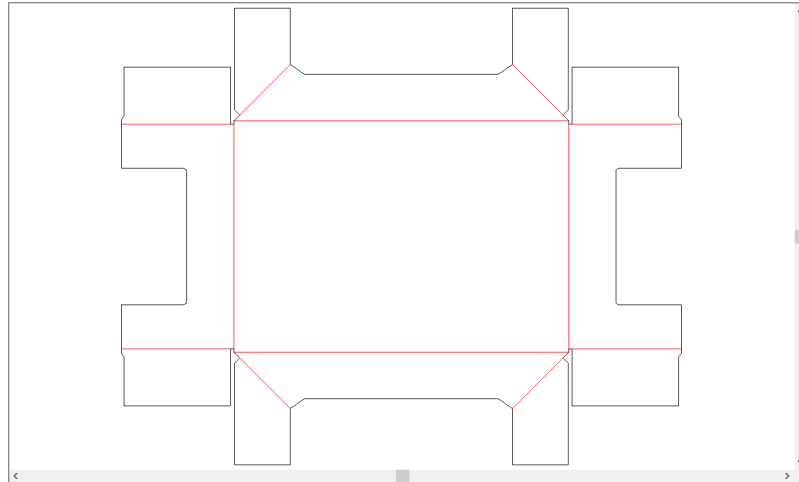




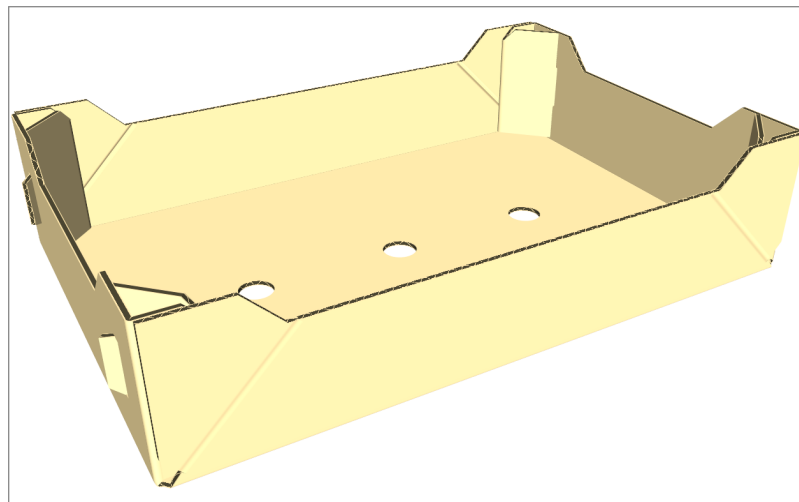
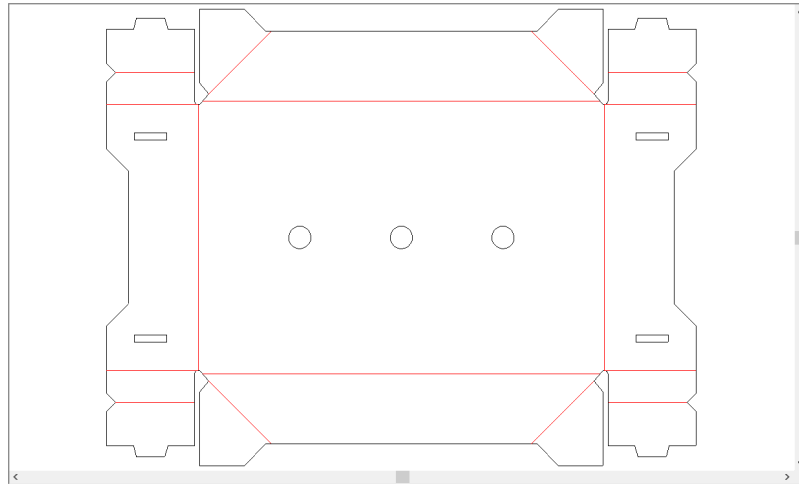
0761



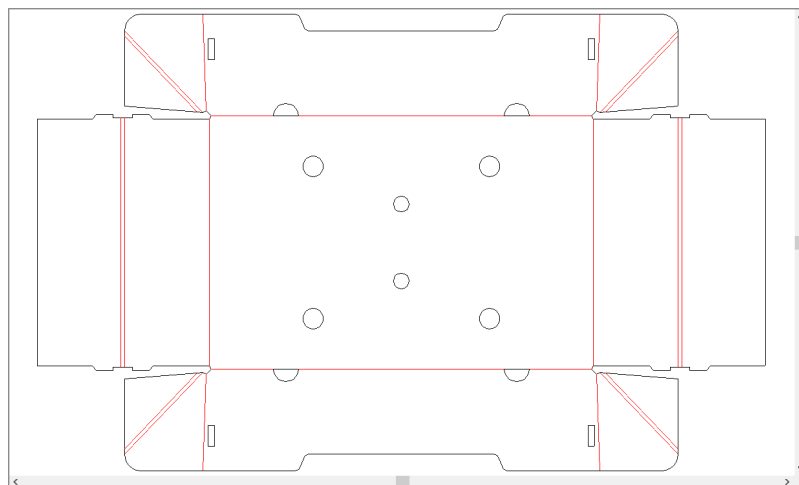
0770

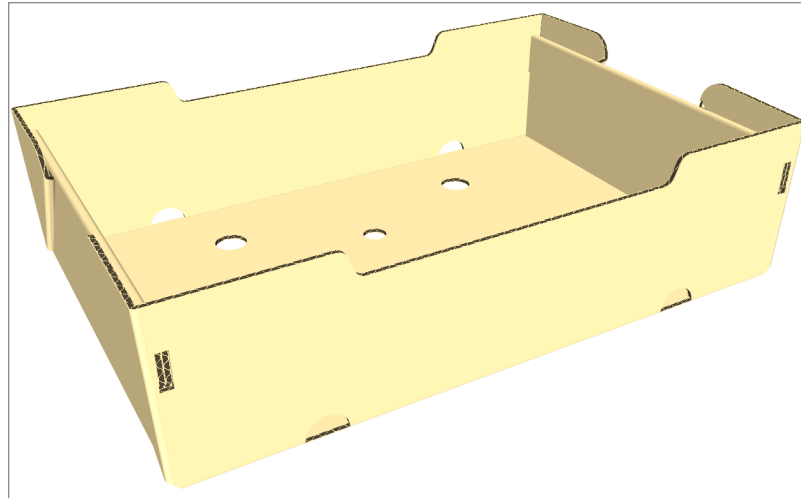


0771

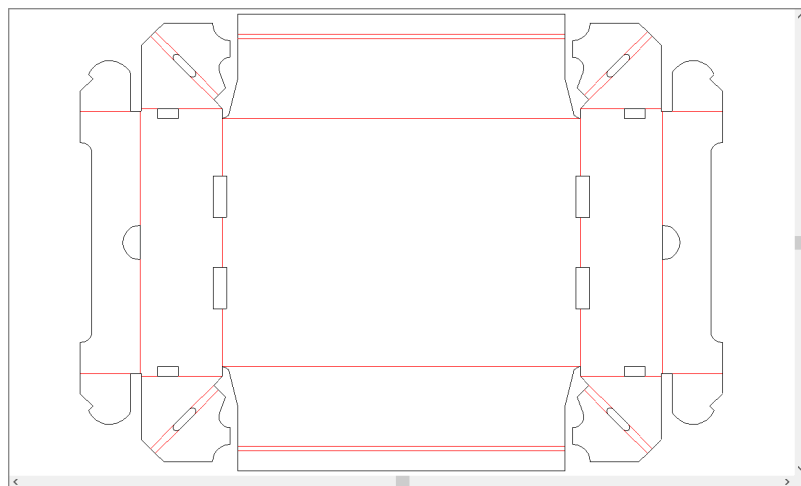


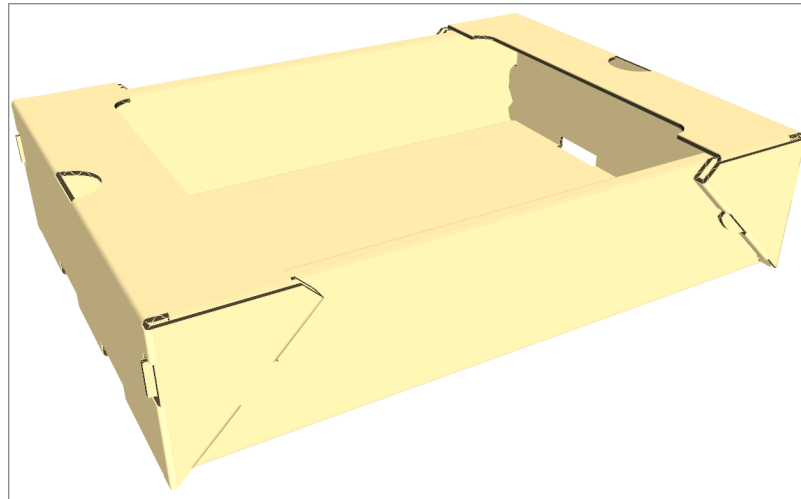
0772



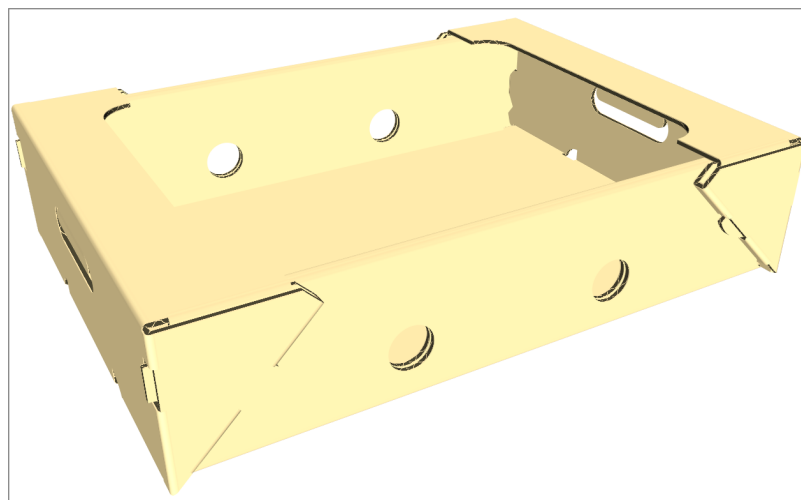
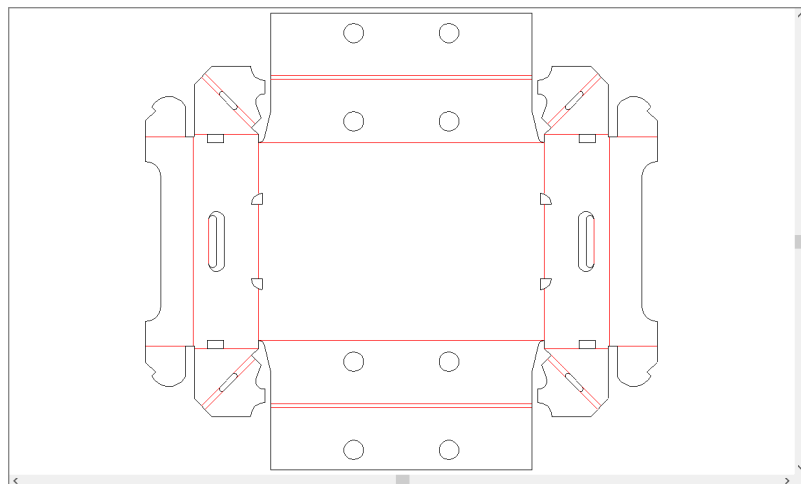


0773



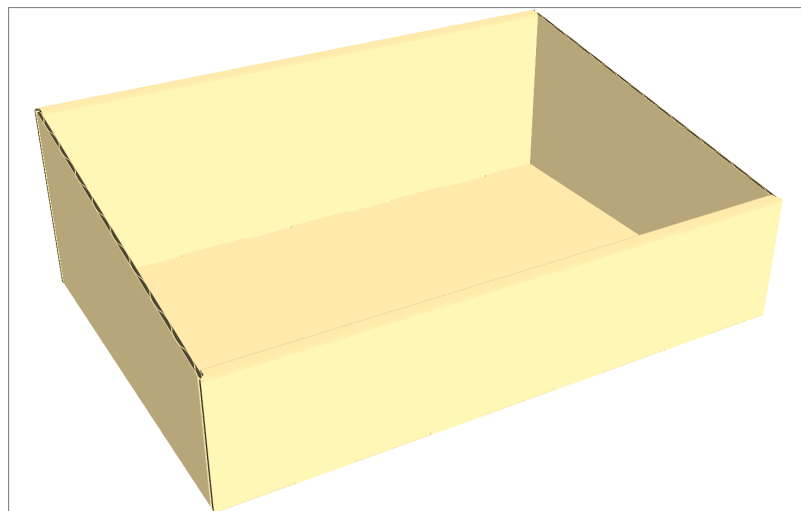
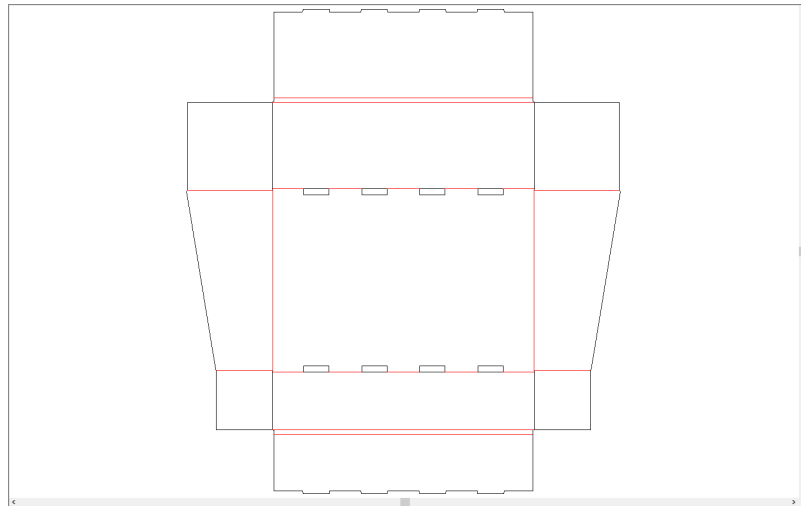


0774

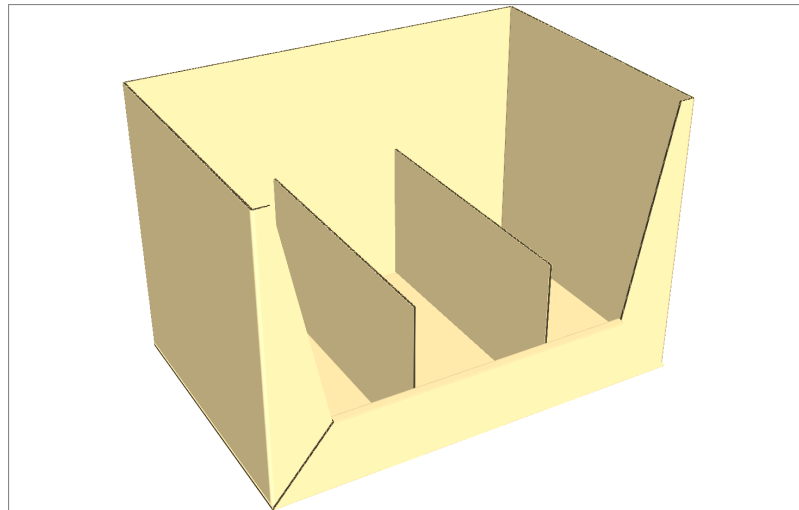
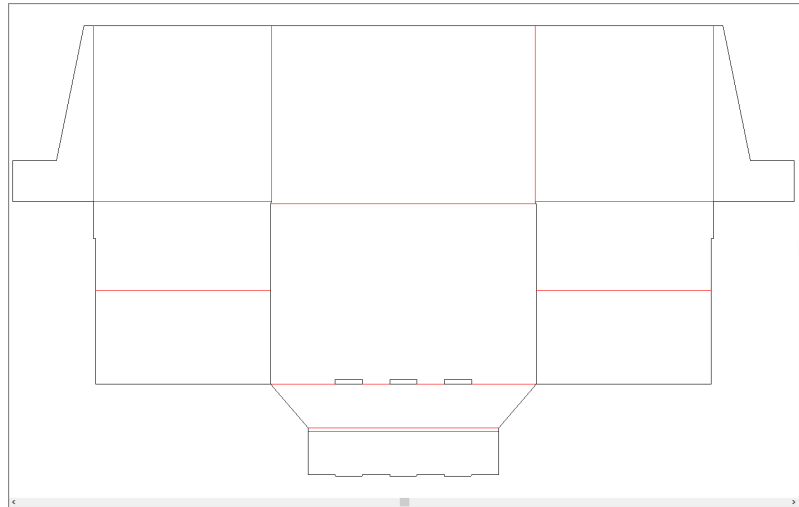


0800 Series

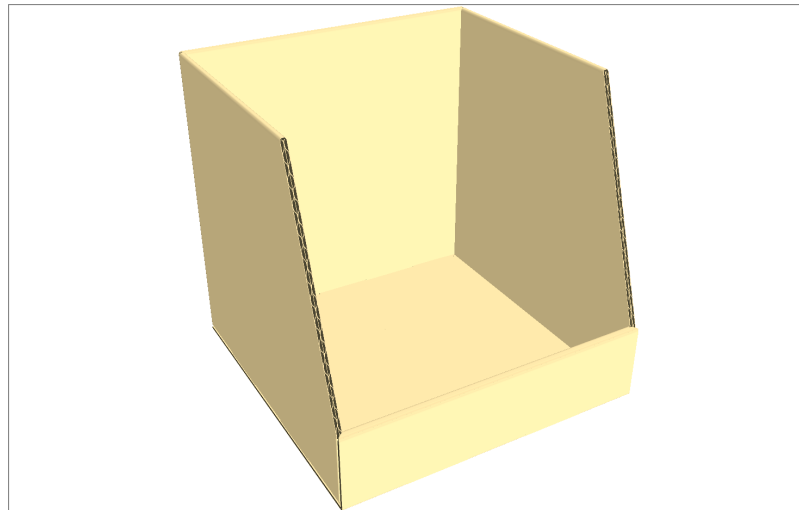
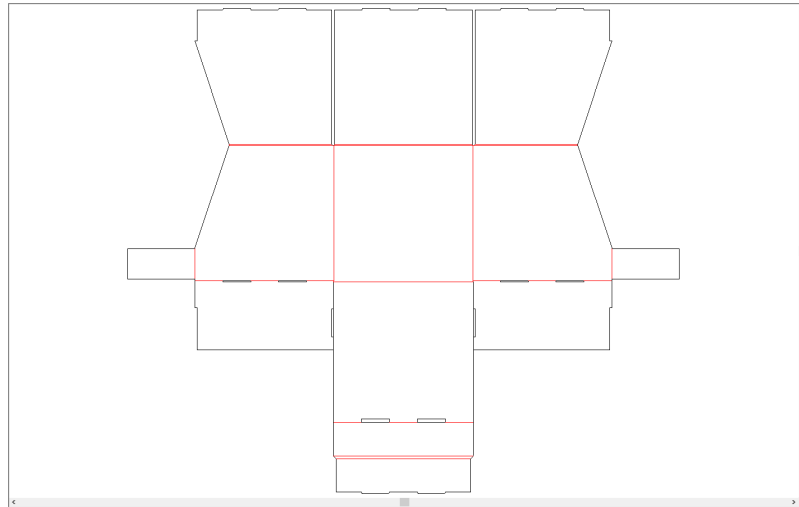
0802



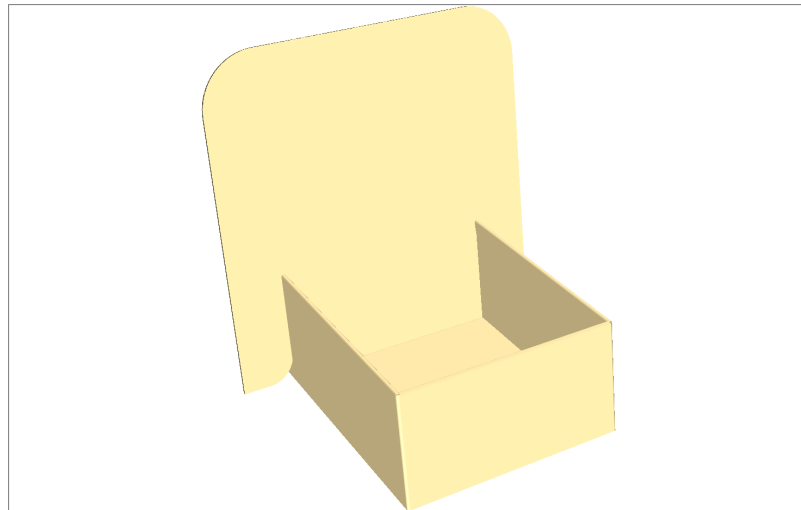
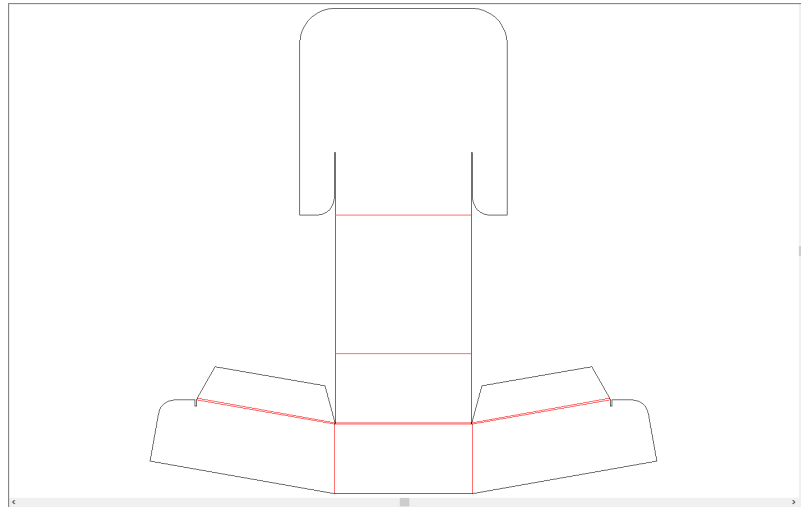
0809



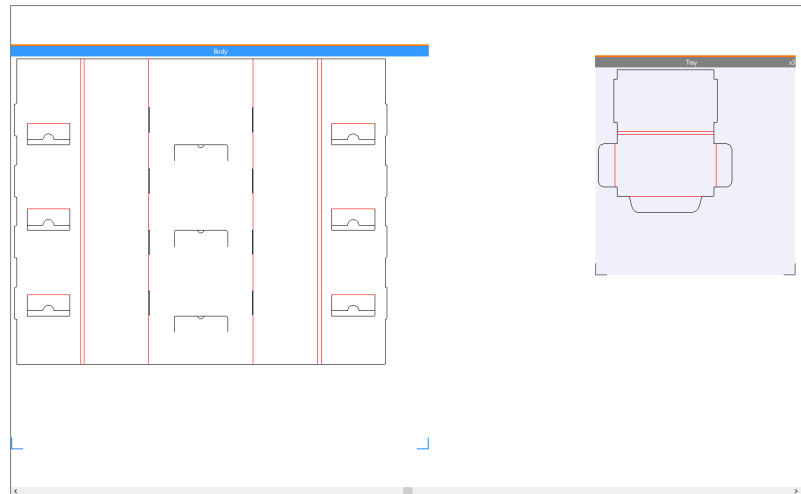
0815



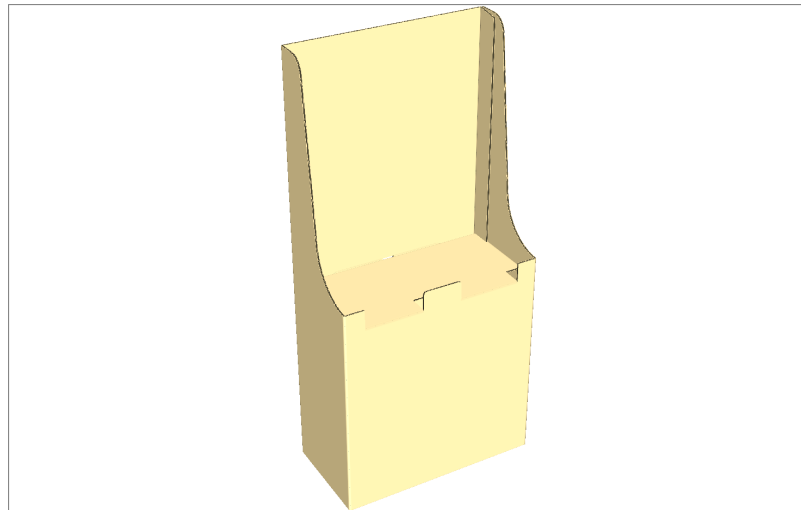
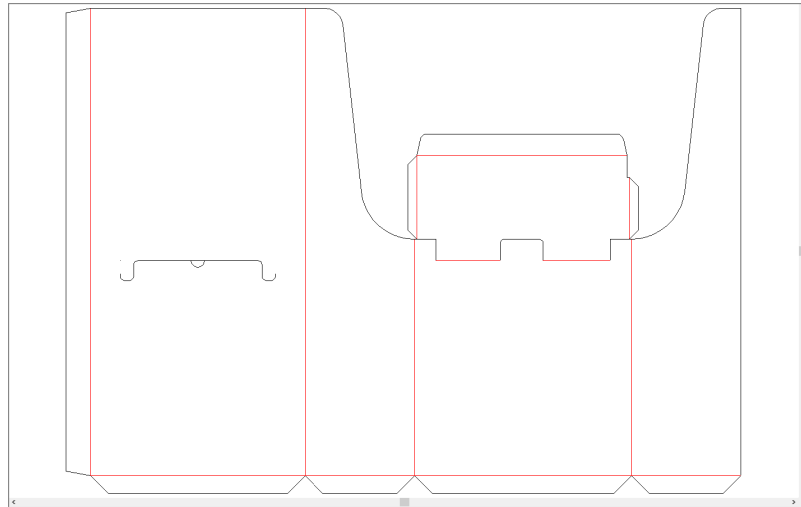
0826



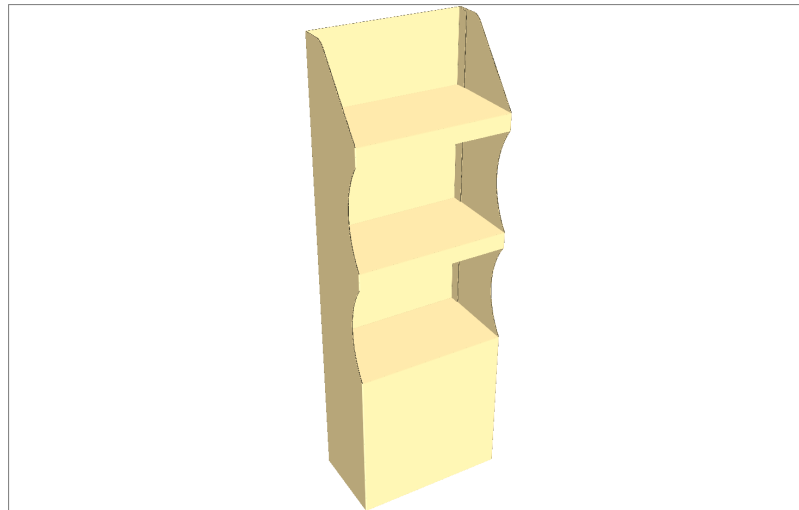
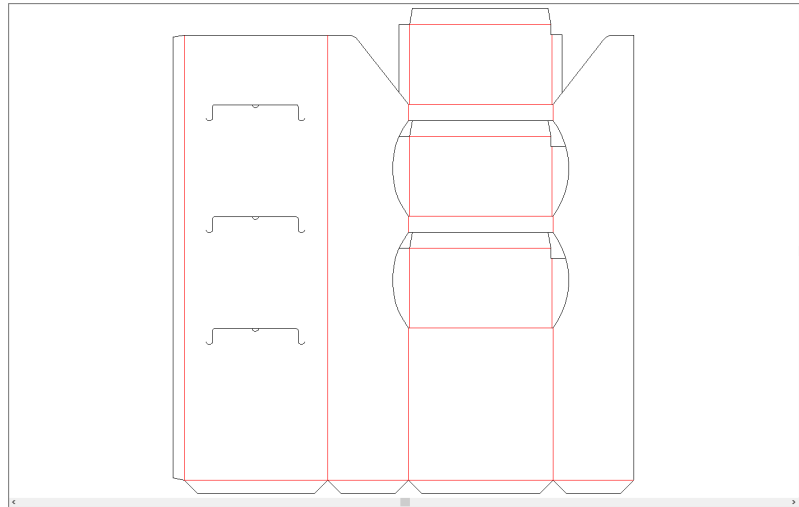
0830



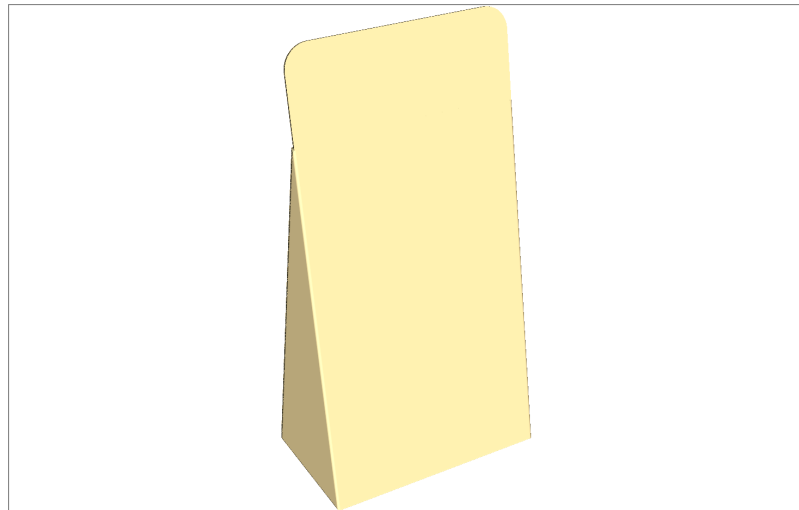
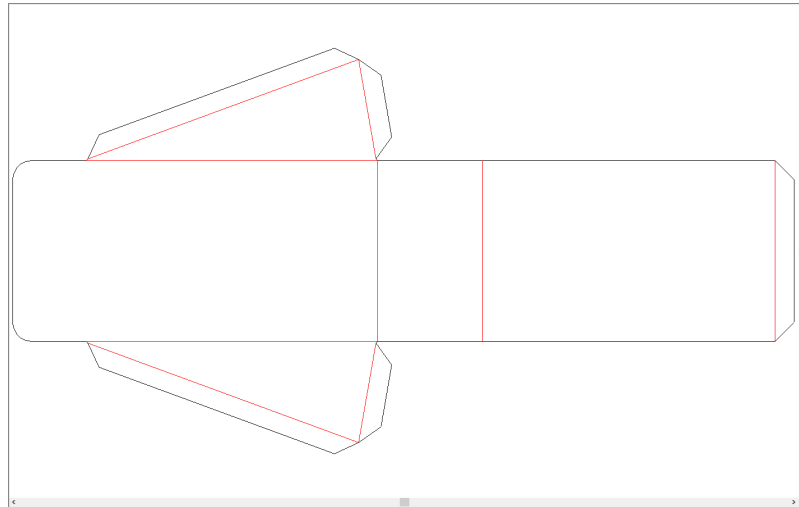
0841



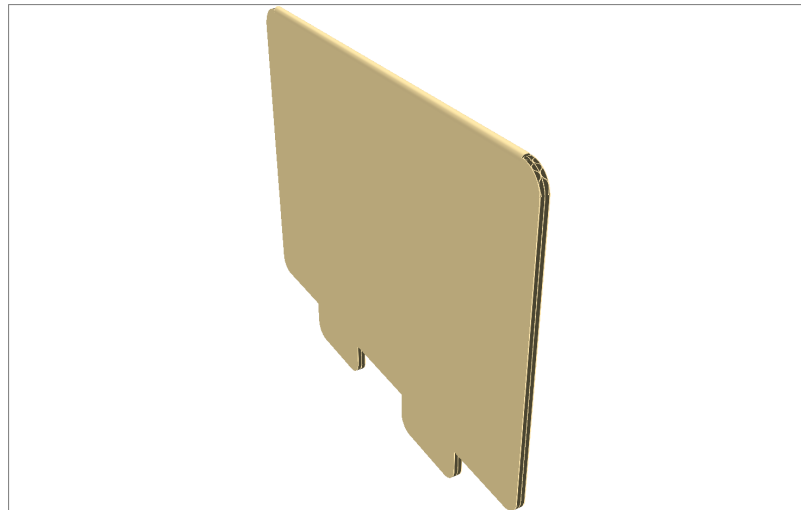
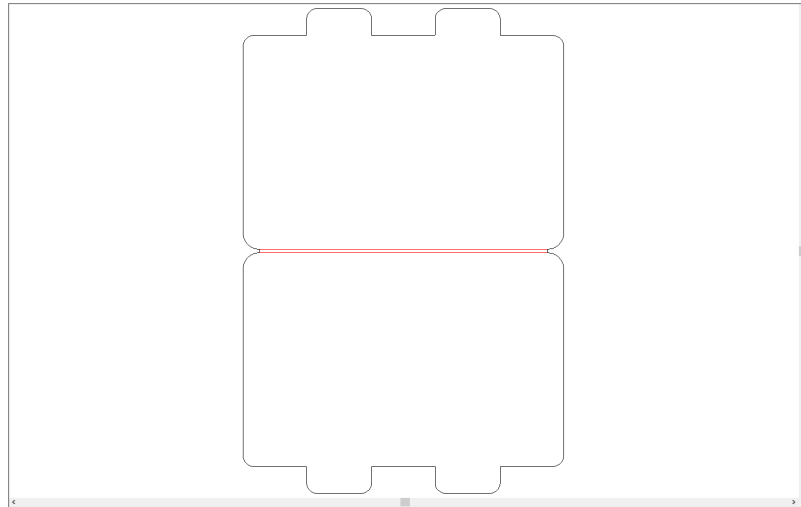
0842



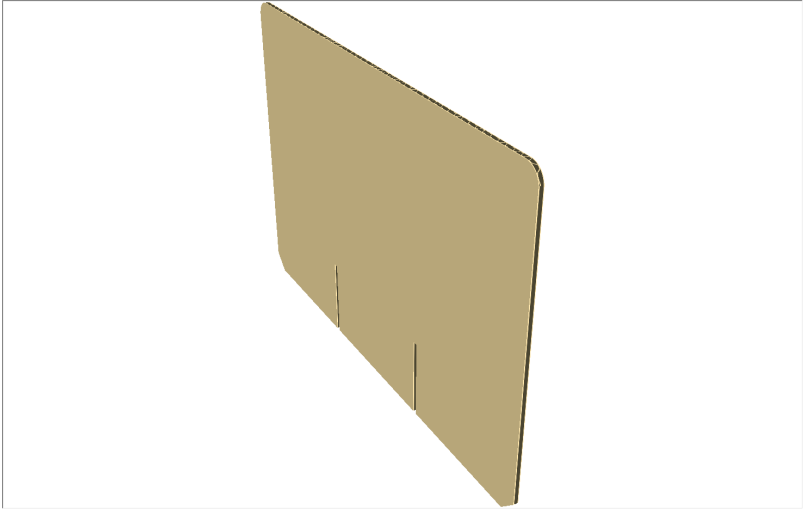
0852



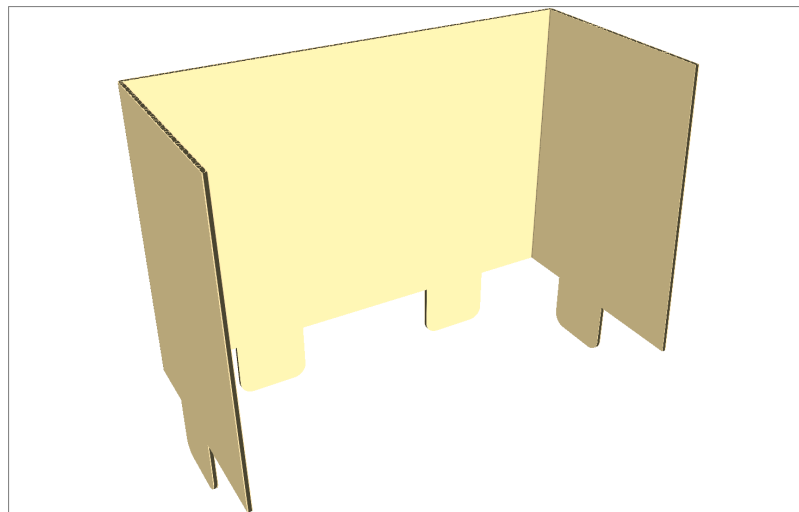
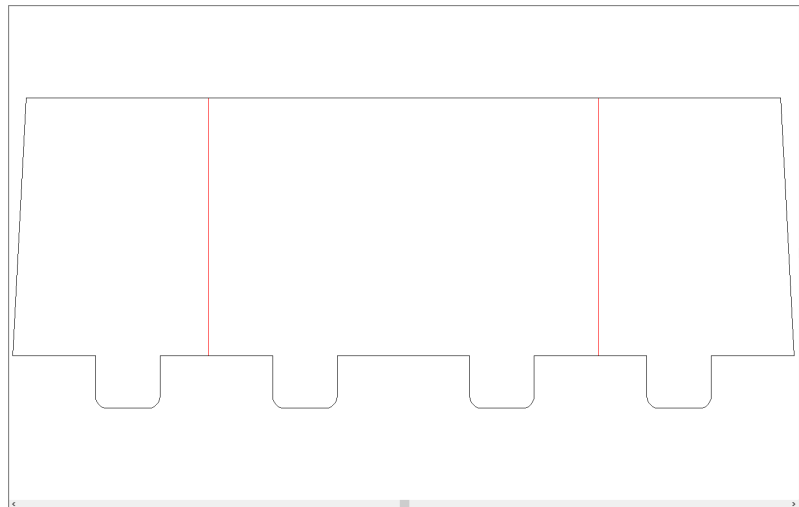
0880



0881

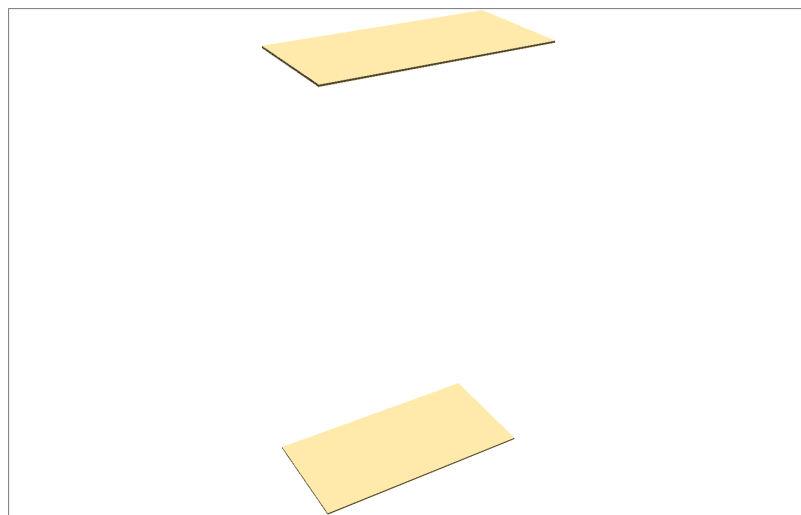
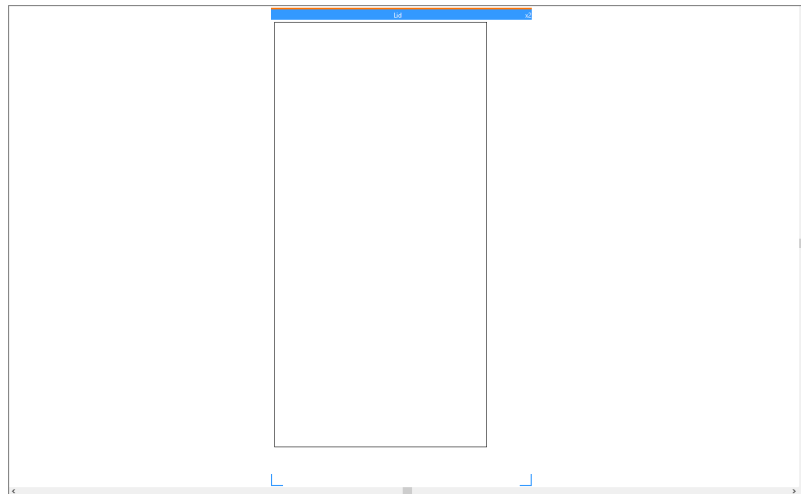


0882

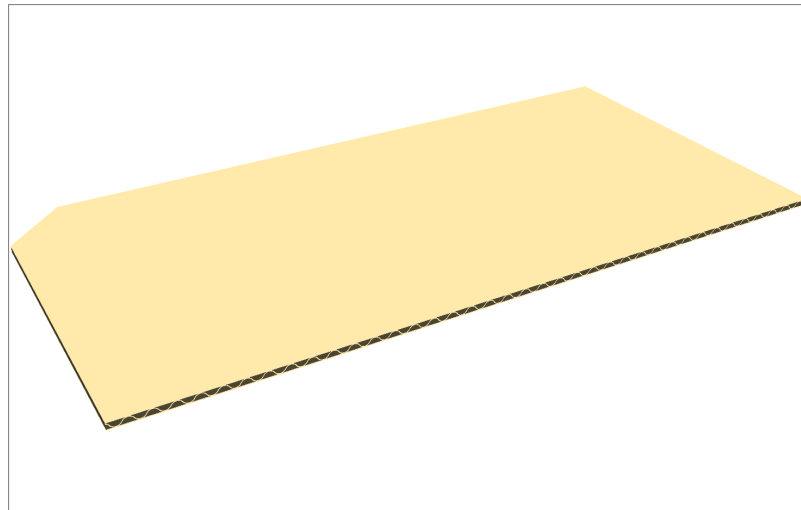


0900 Series

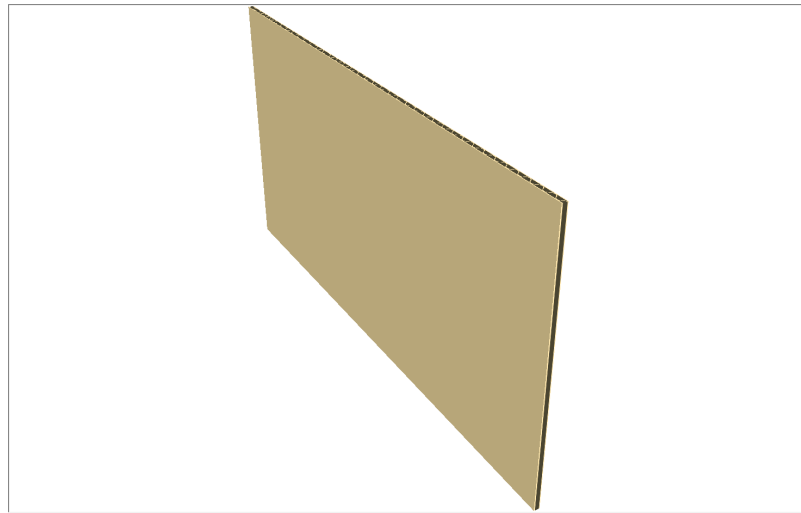
0900 Canvas



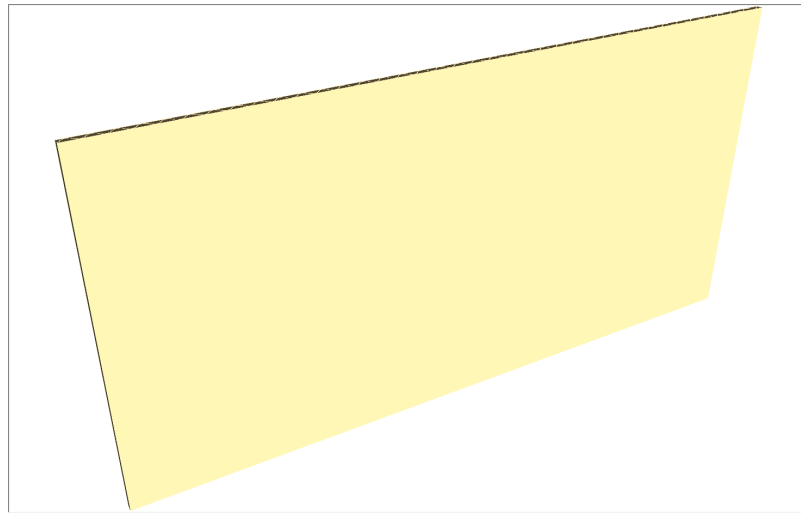
0901



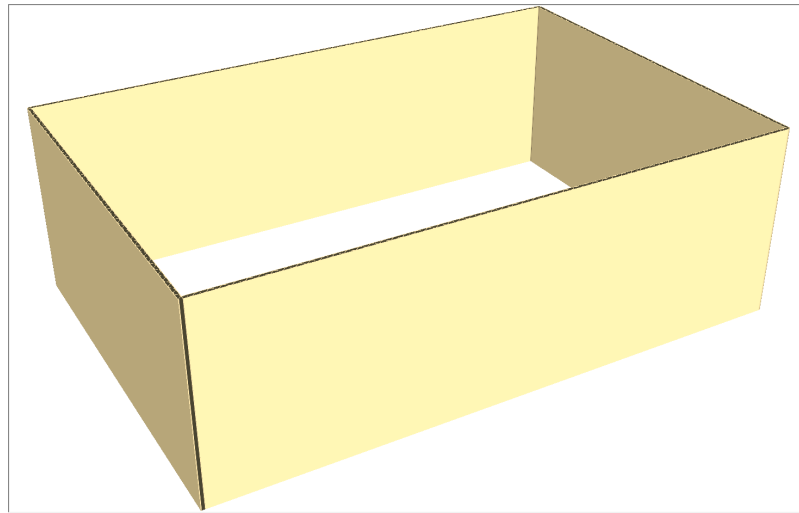
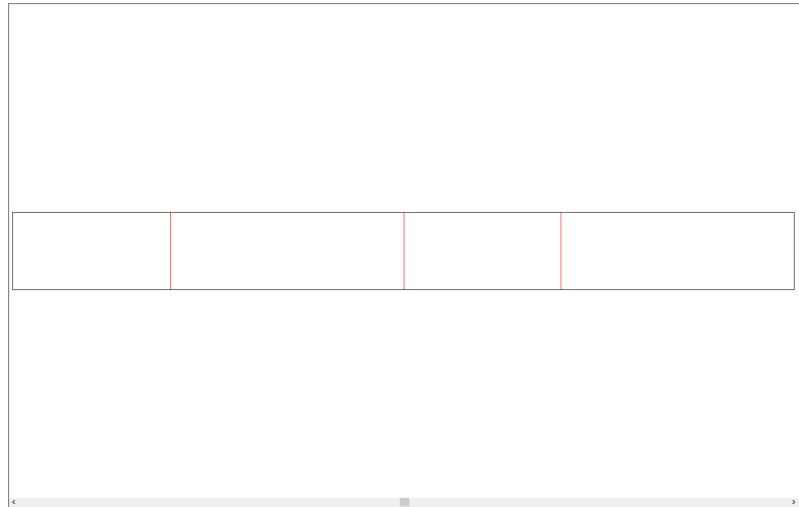
0902



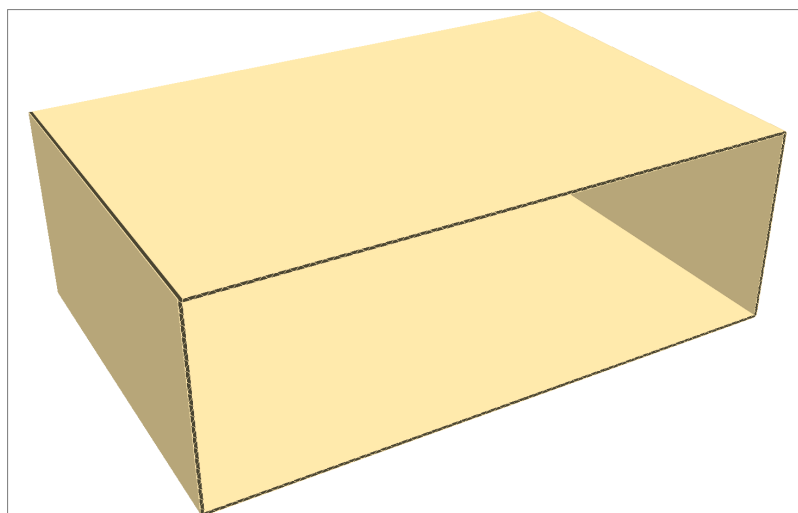
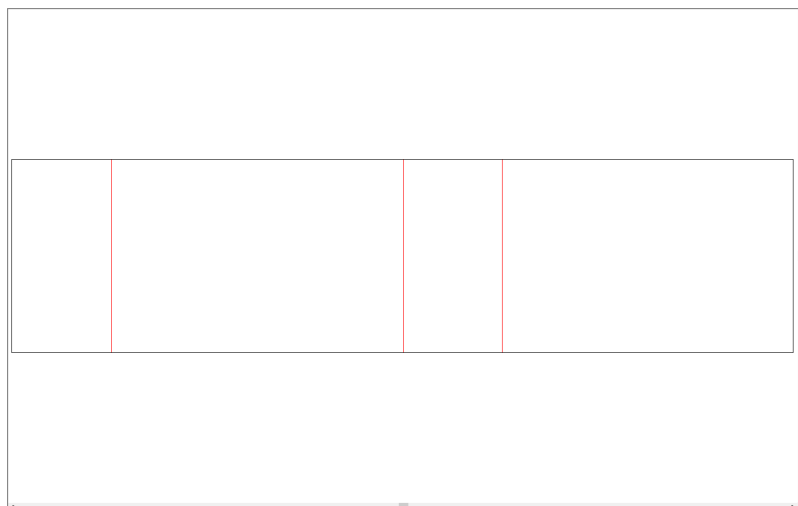
0903



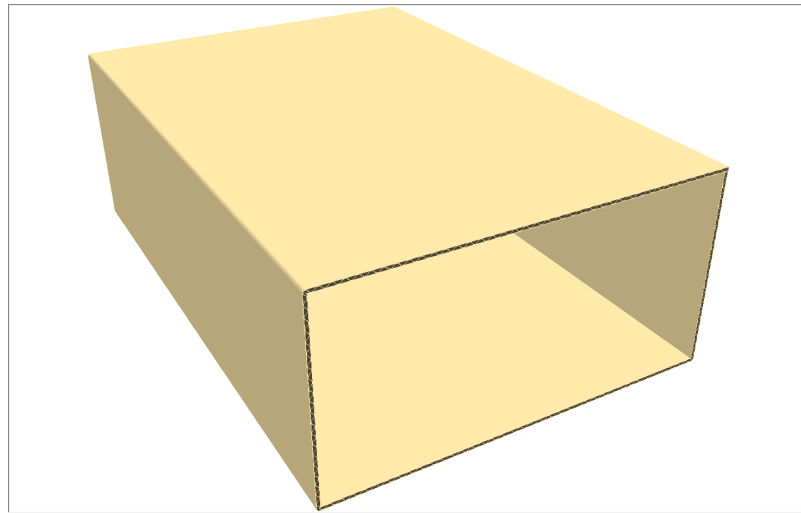
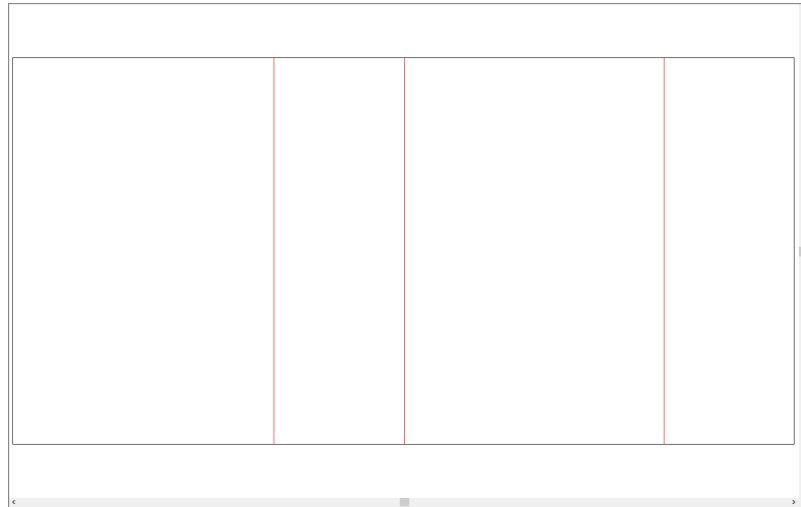
0904



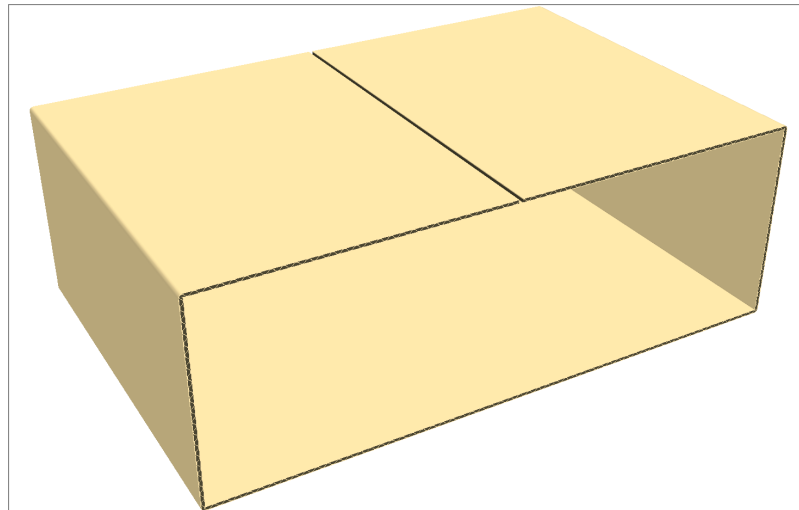
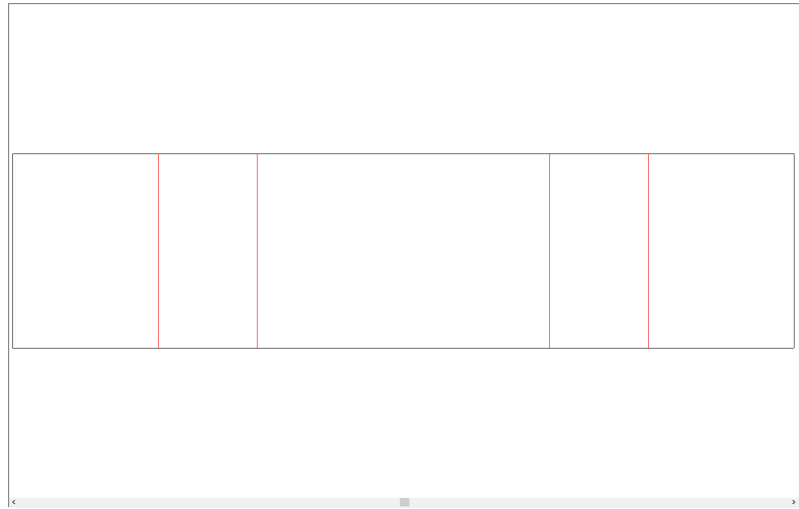
0905



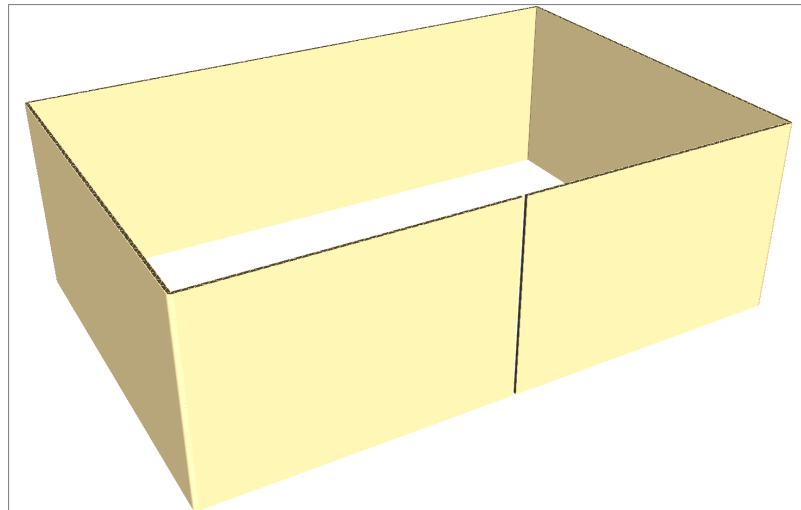
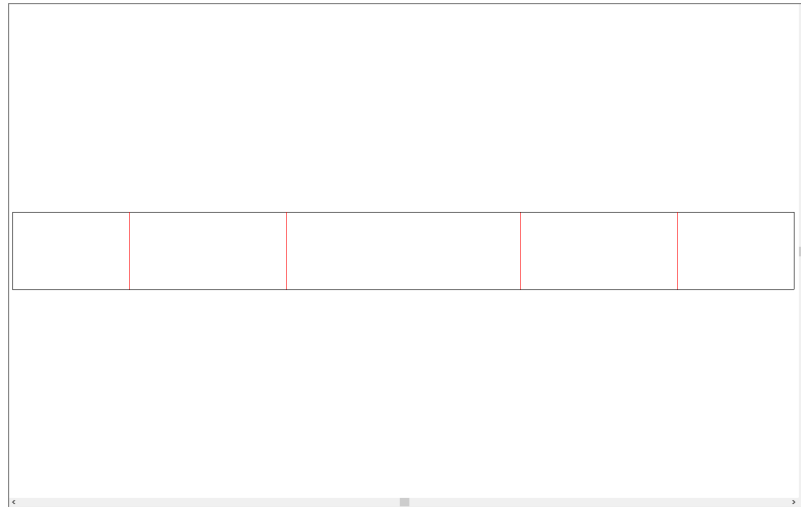
0906



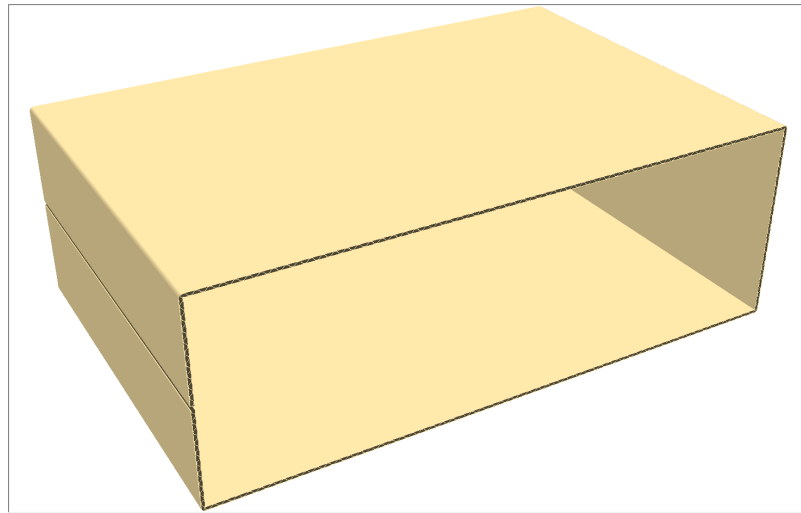
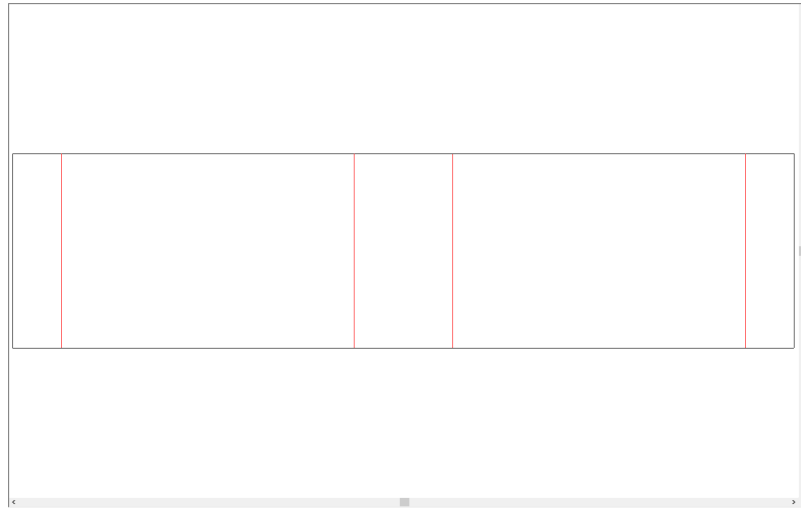
0907



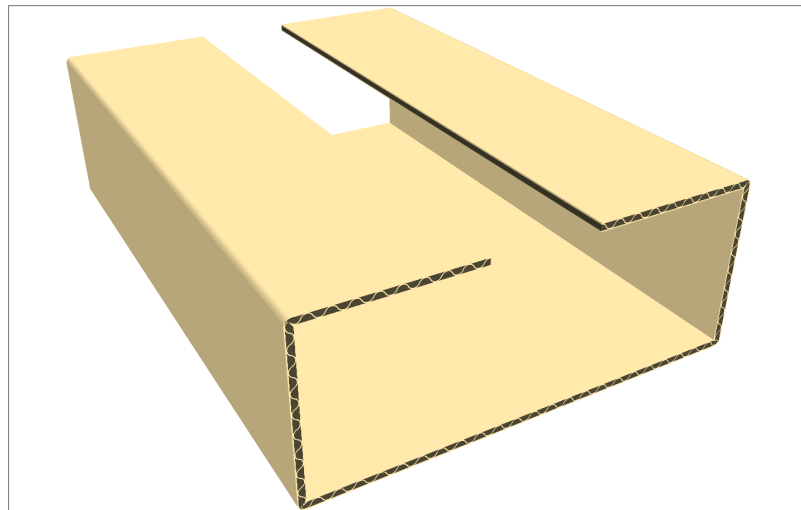
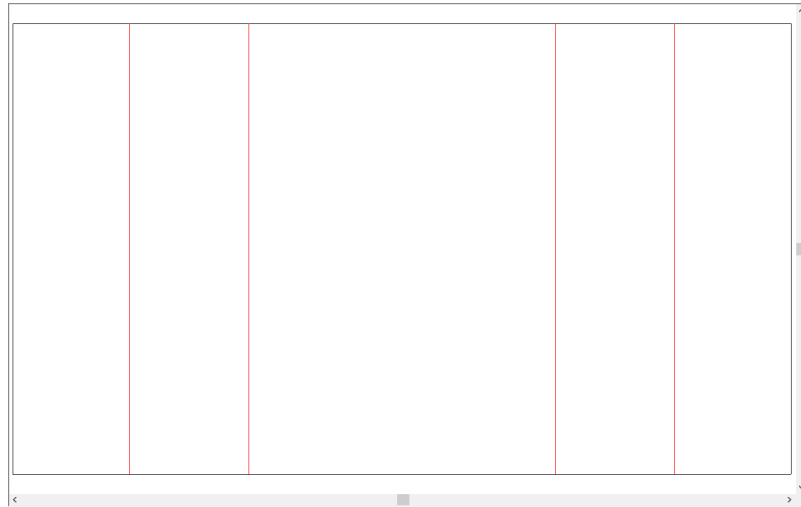
0908



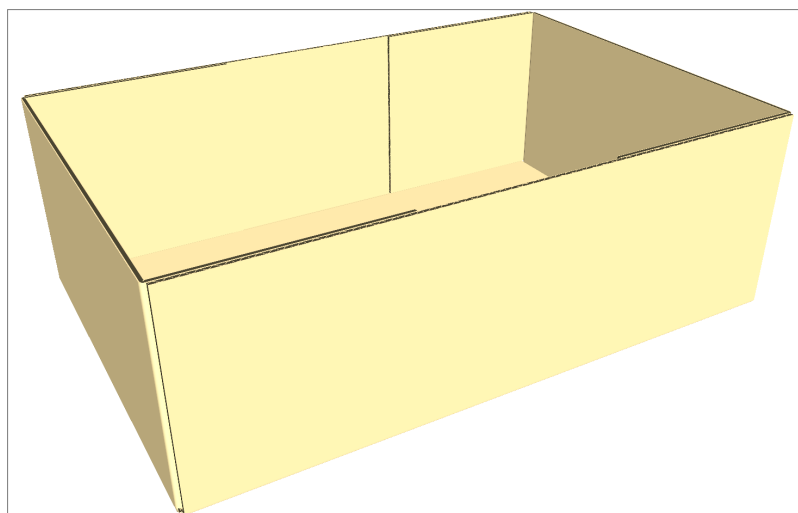
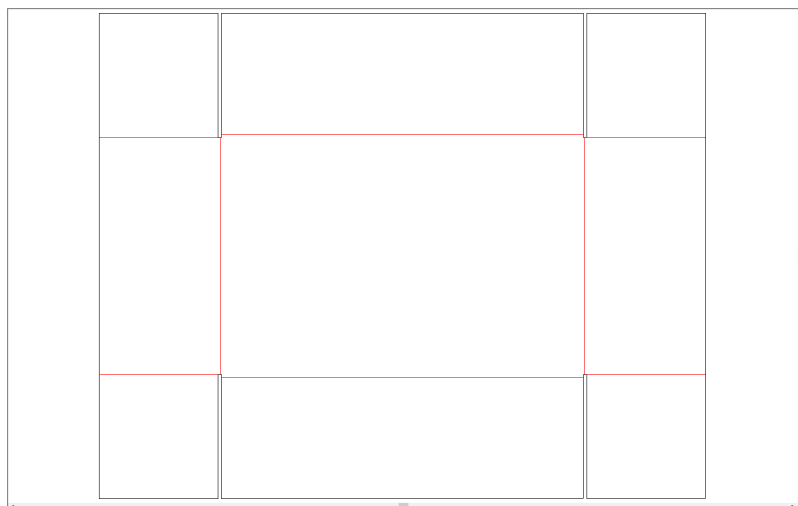
0909



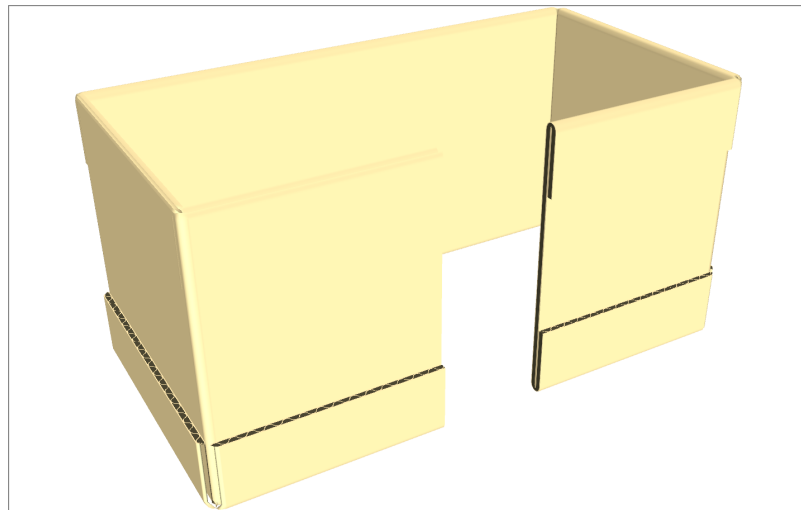
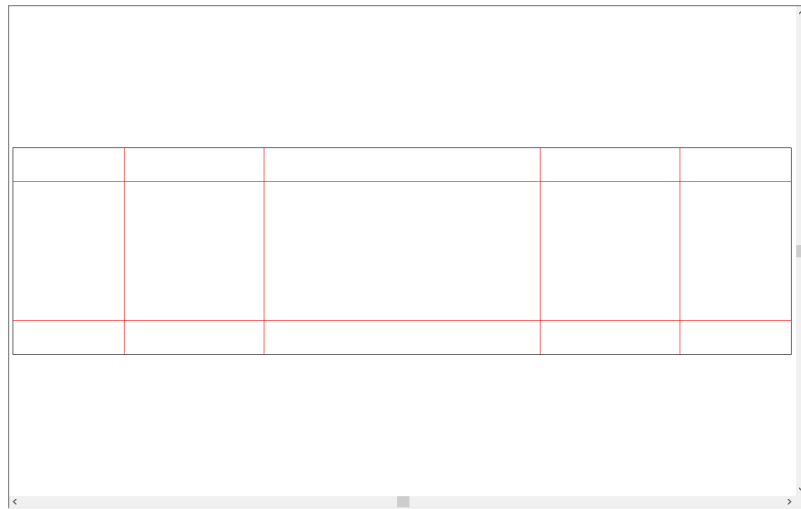
0910



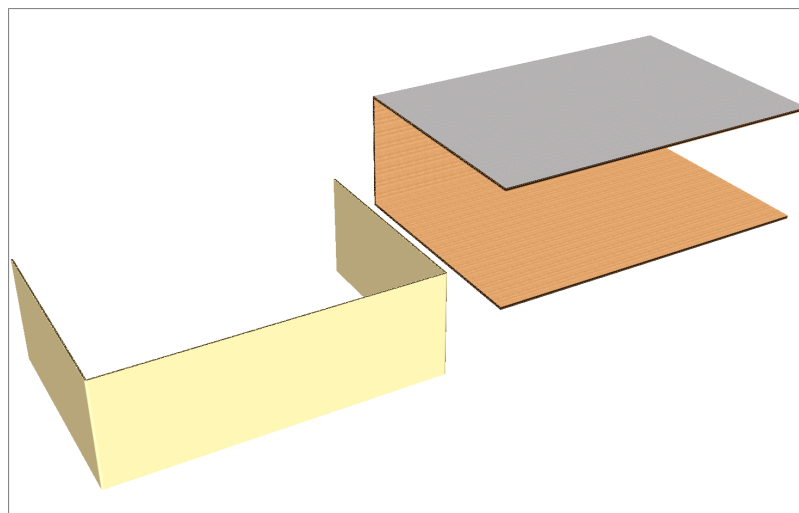
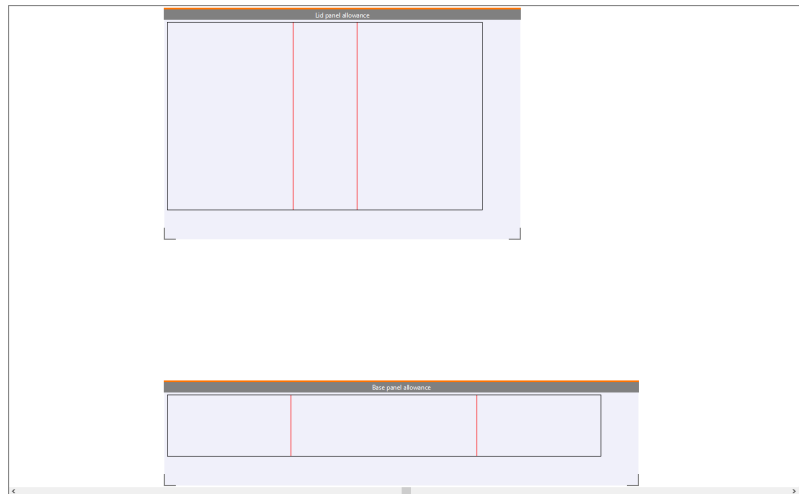
0911



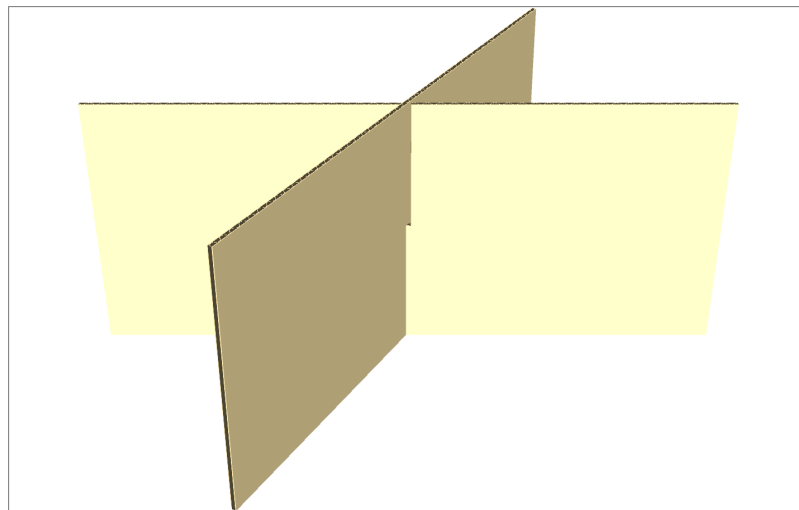
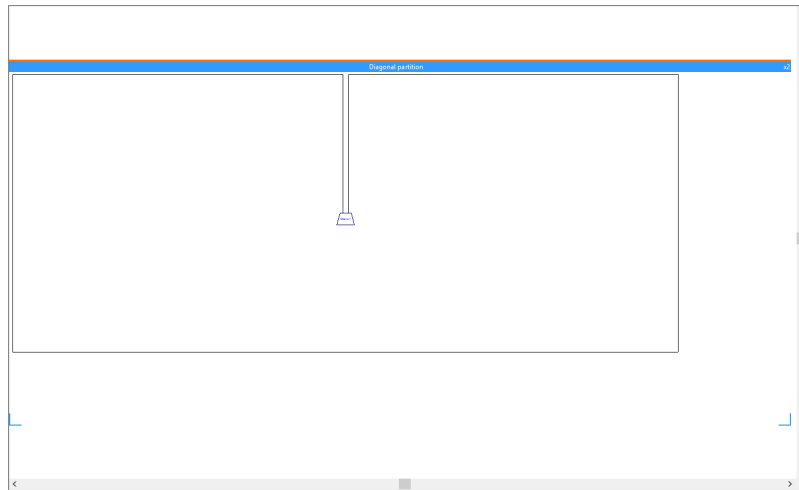
0913



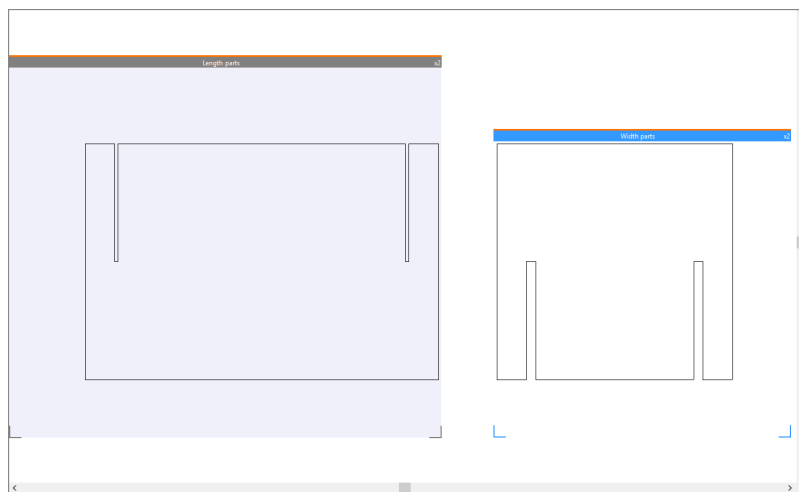
0929 Canvas

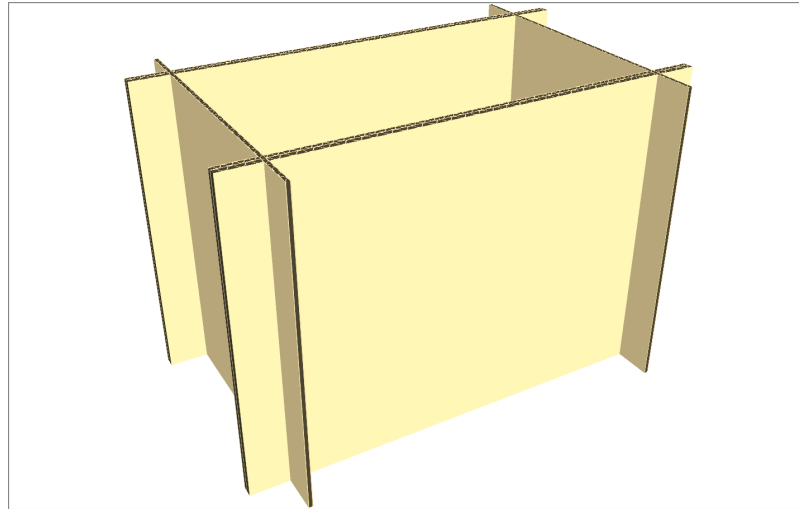


0930 Canvas

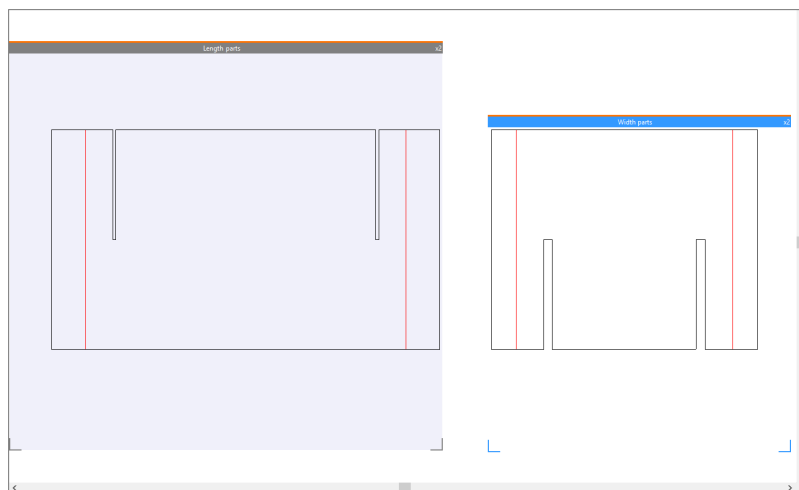


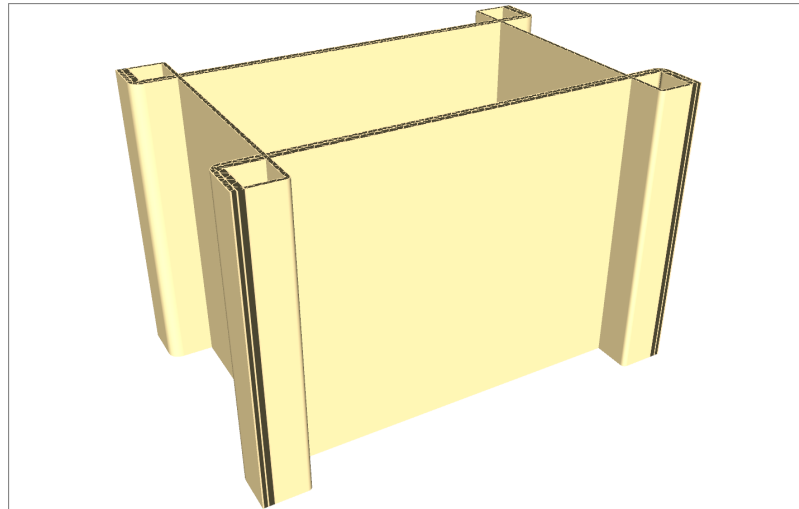
0931 Canvas



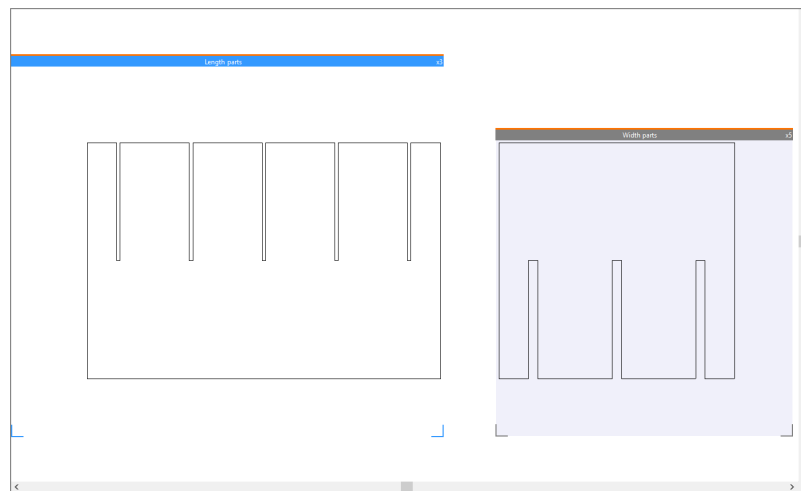


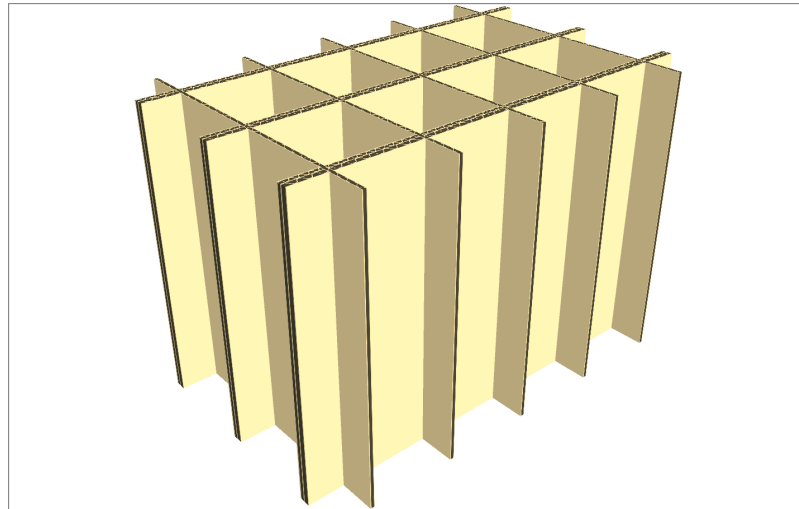
0932 Canvas



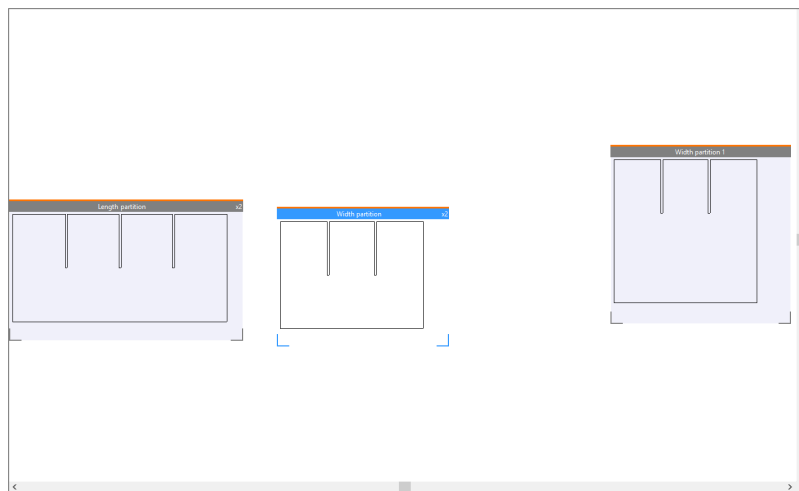


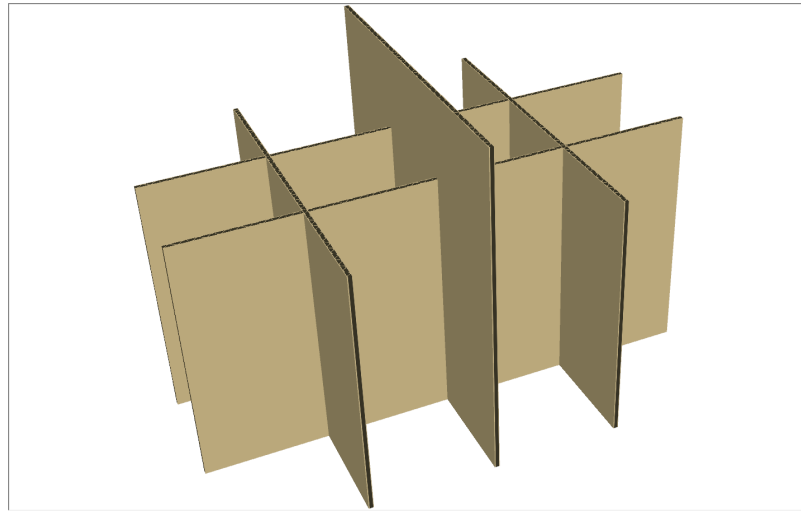
0934 Canvas



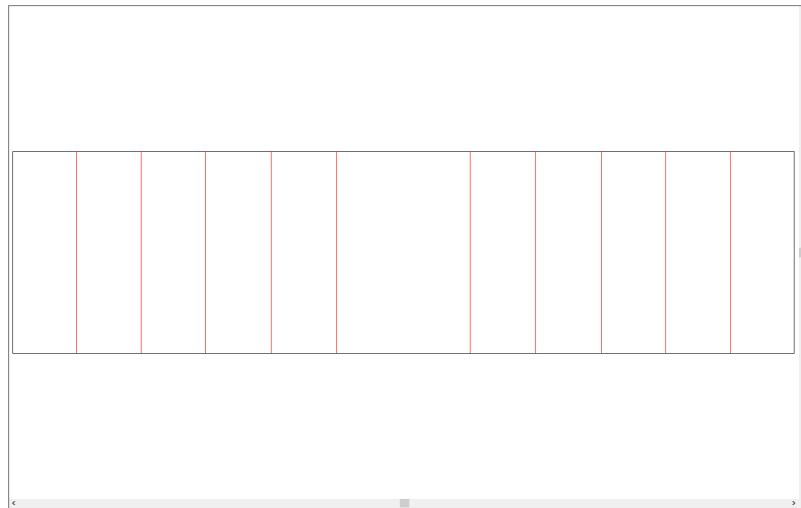


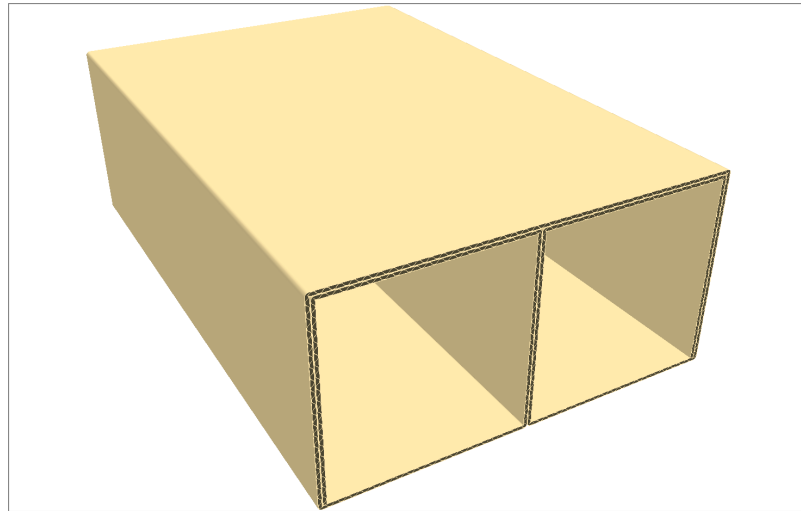
0935 Canvas



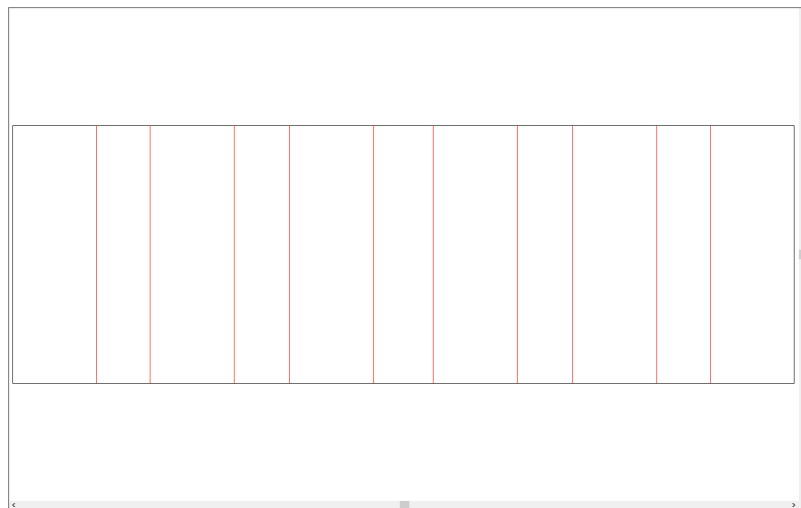


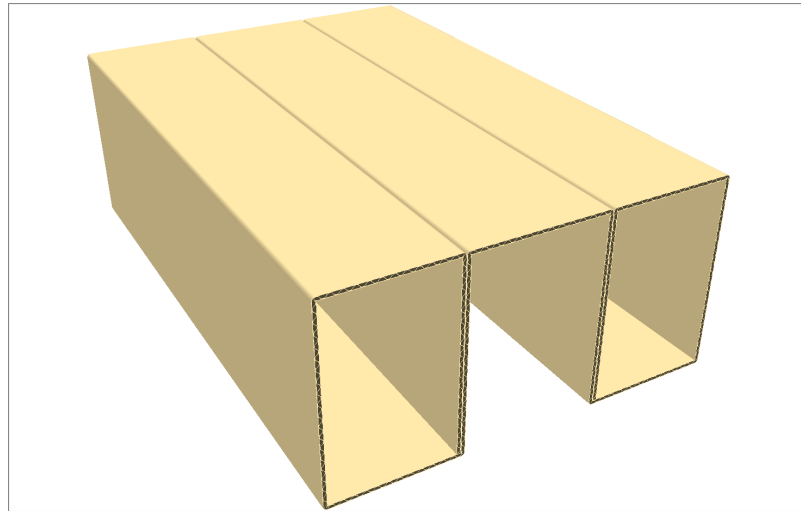
0940



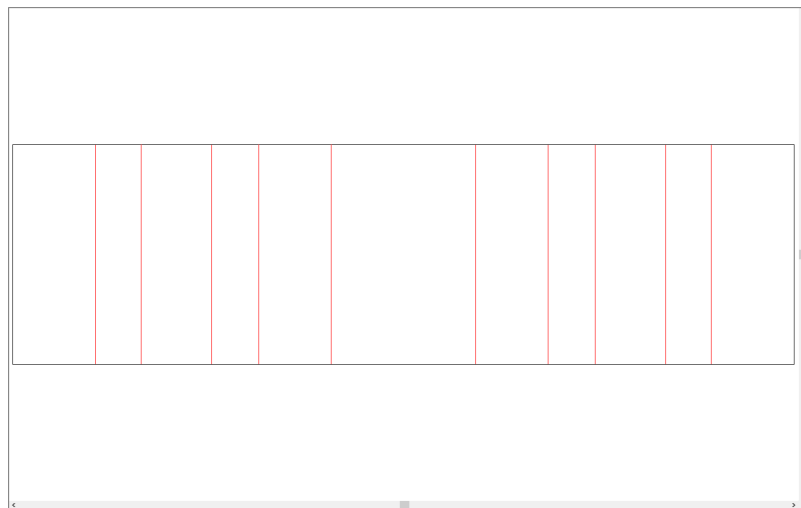


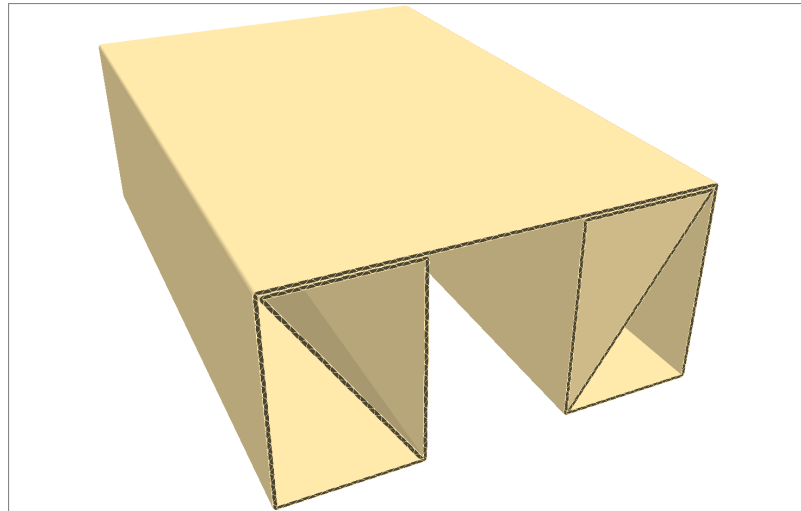
0941



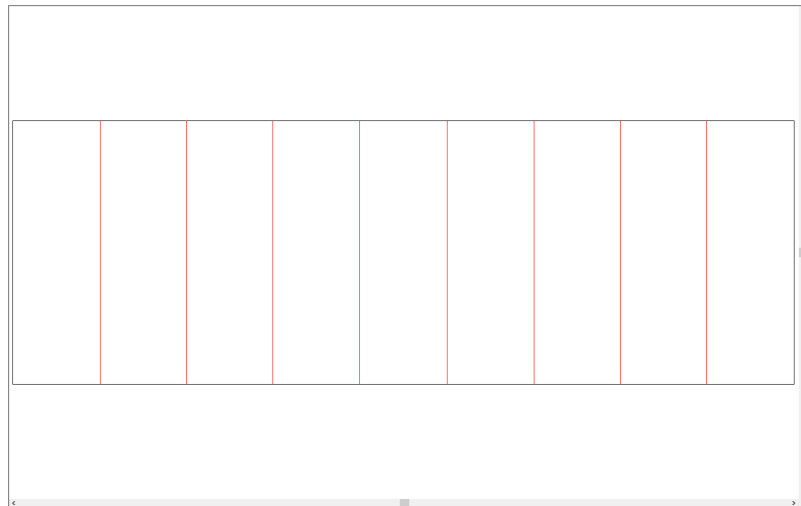


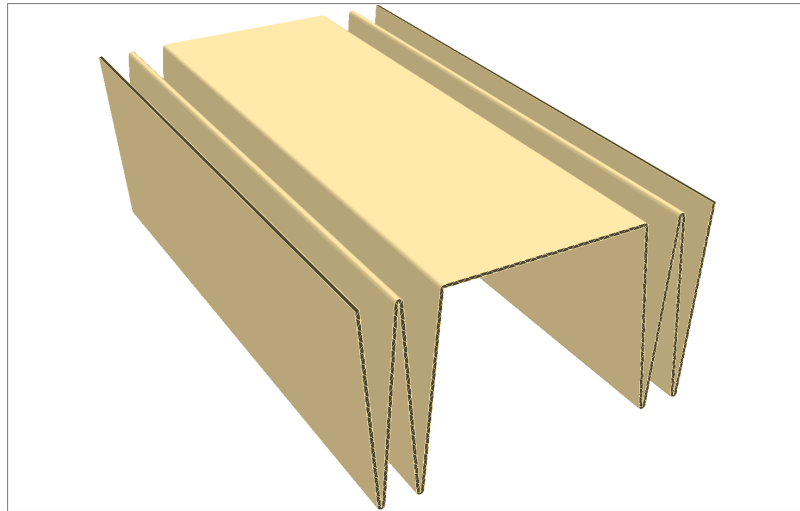
0942



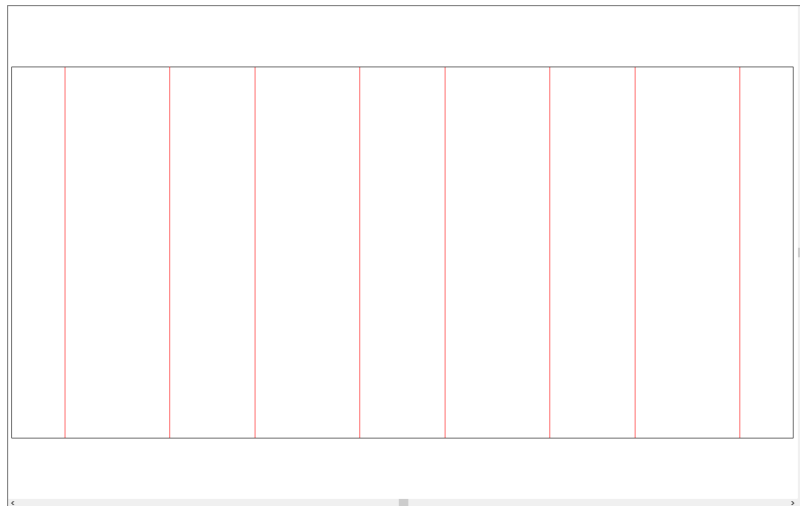


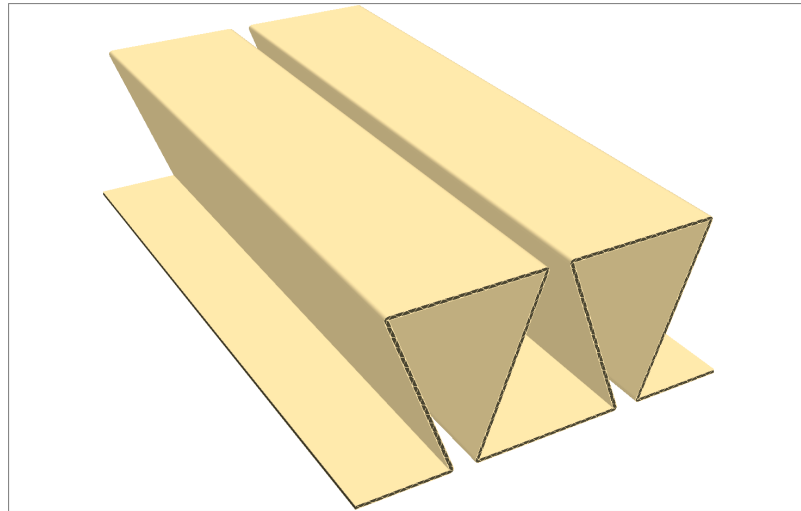
0943



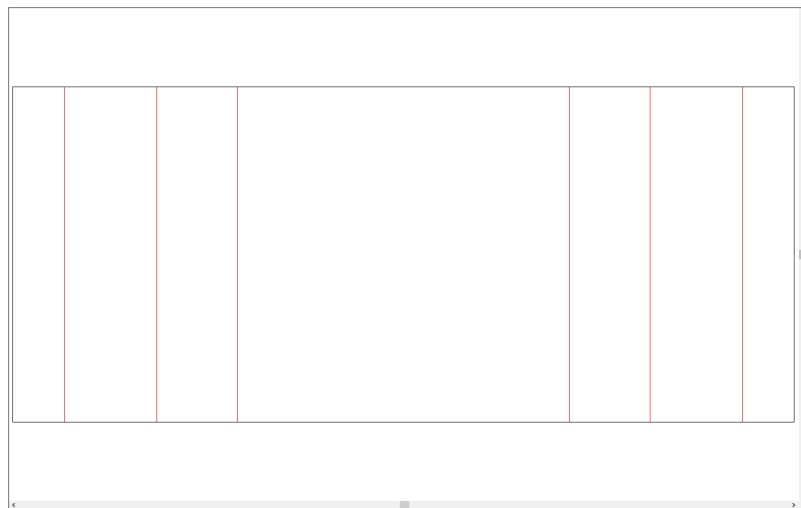


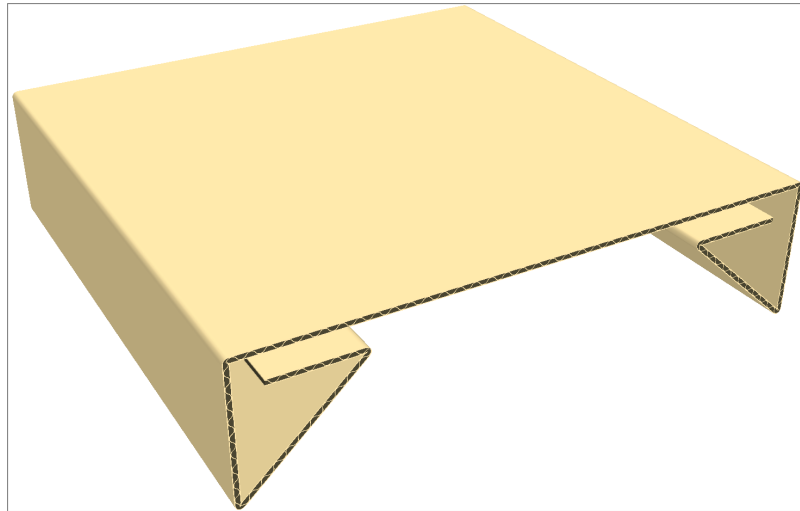
0944



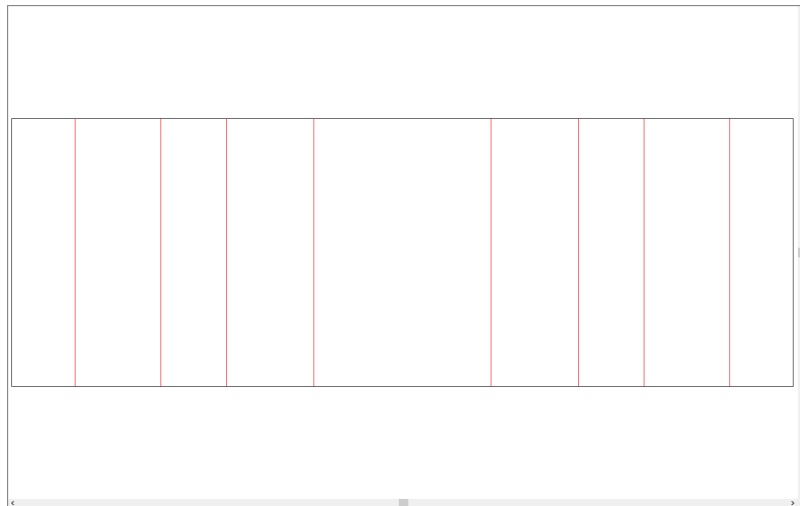


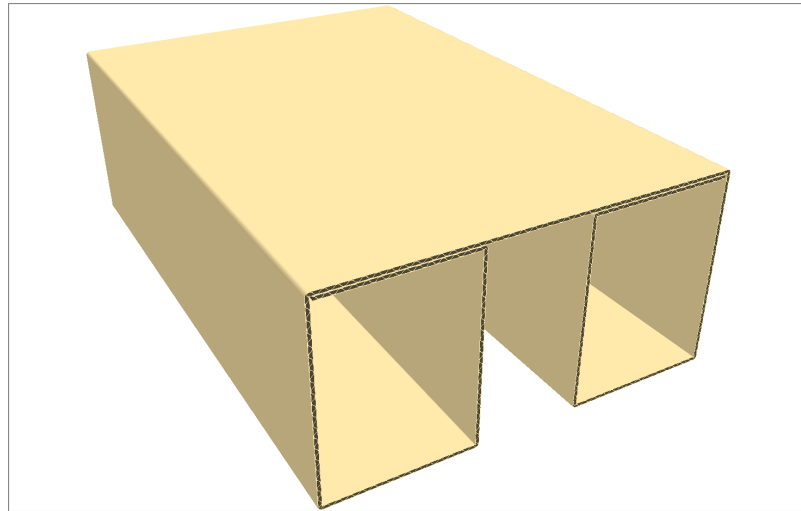
0945



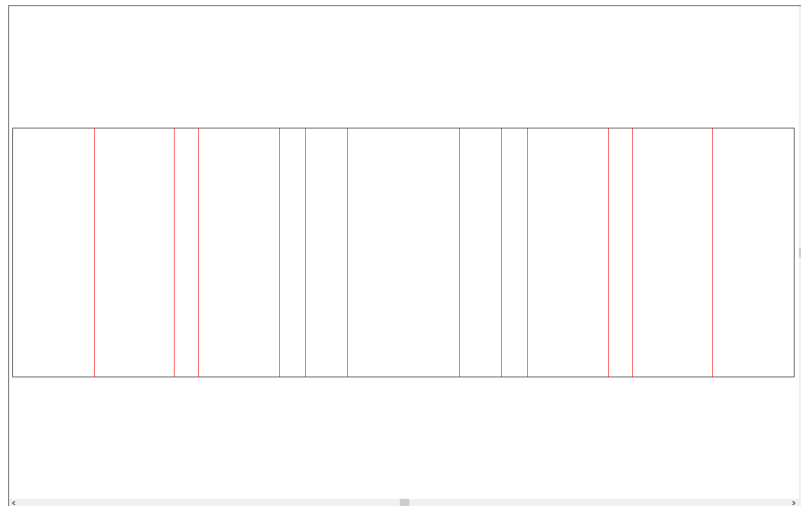


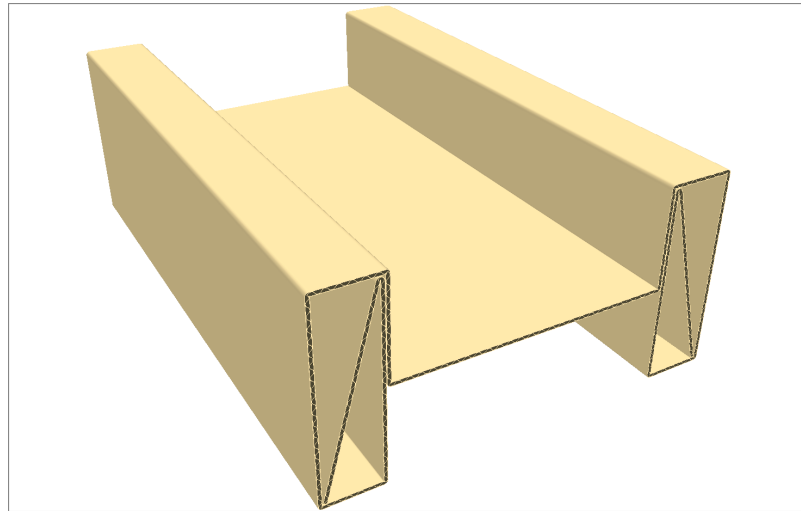
0946



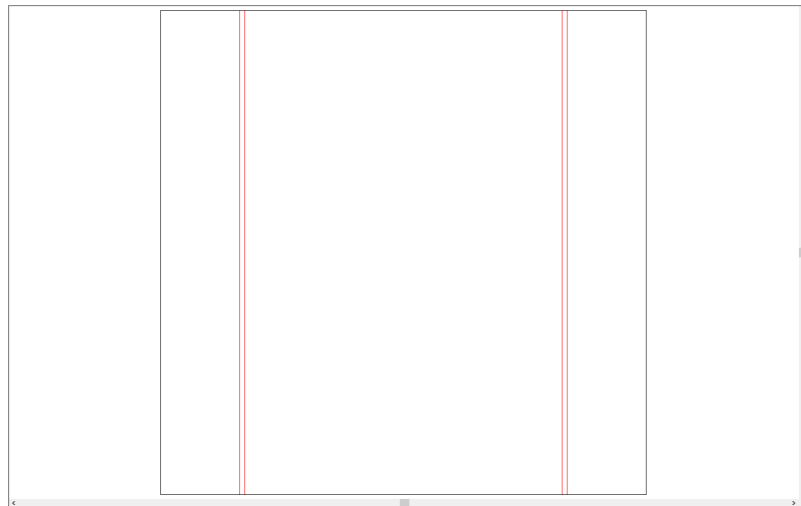


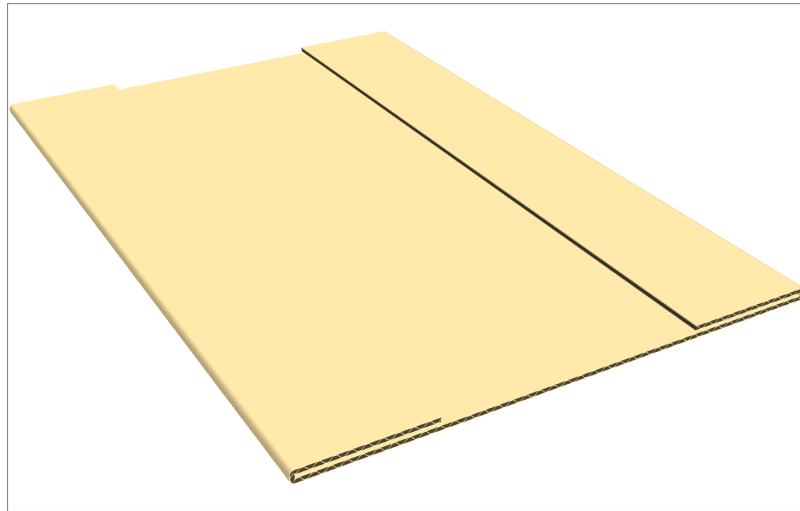
0948



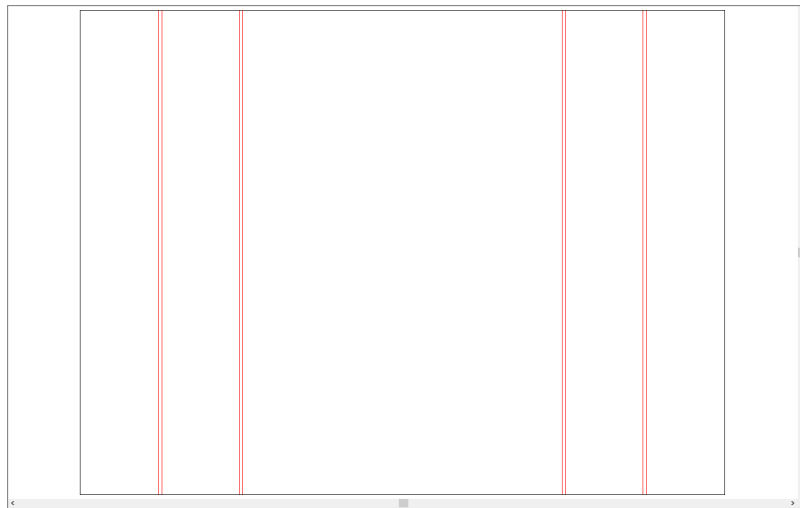


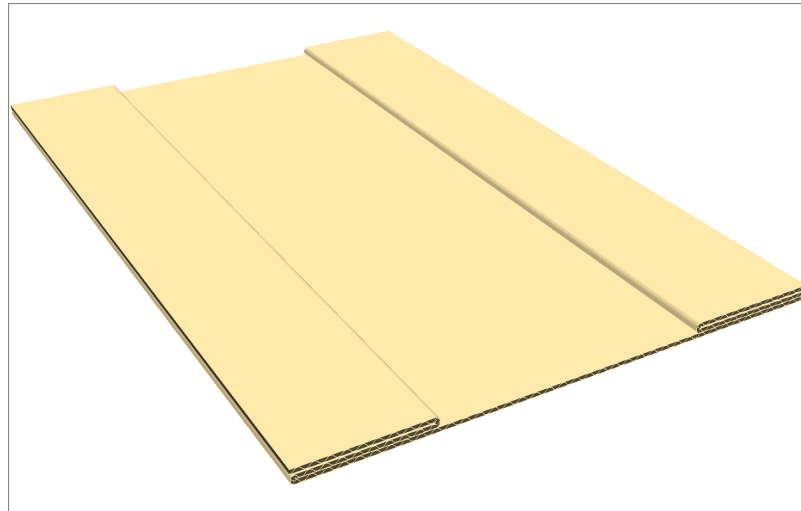
0949





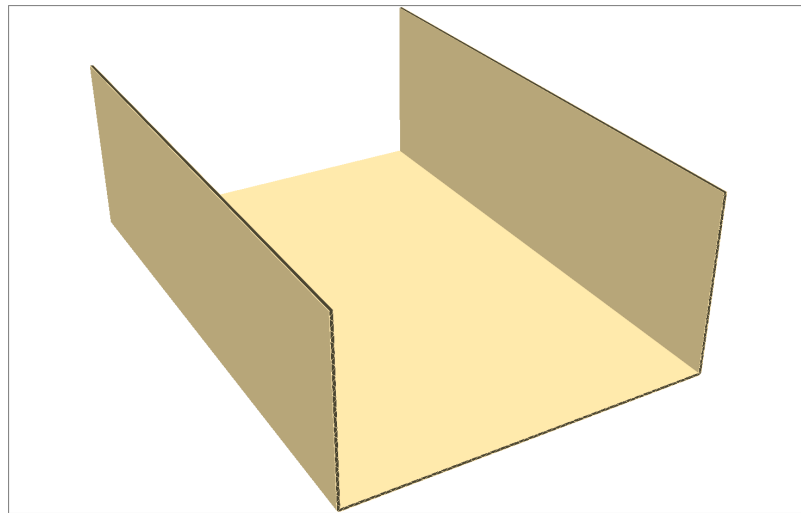
0950



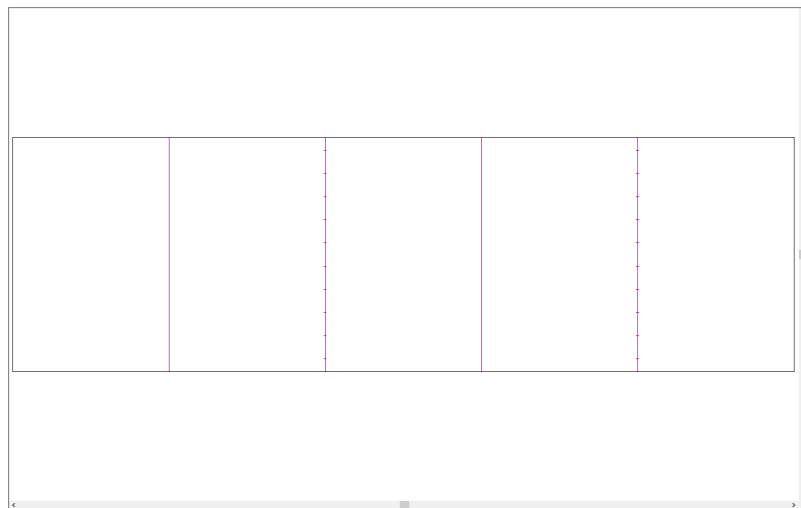


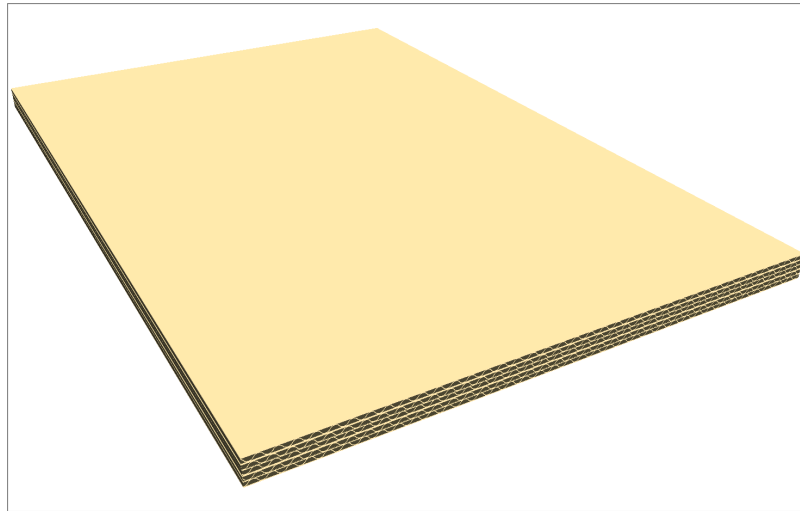
0951



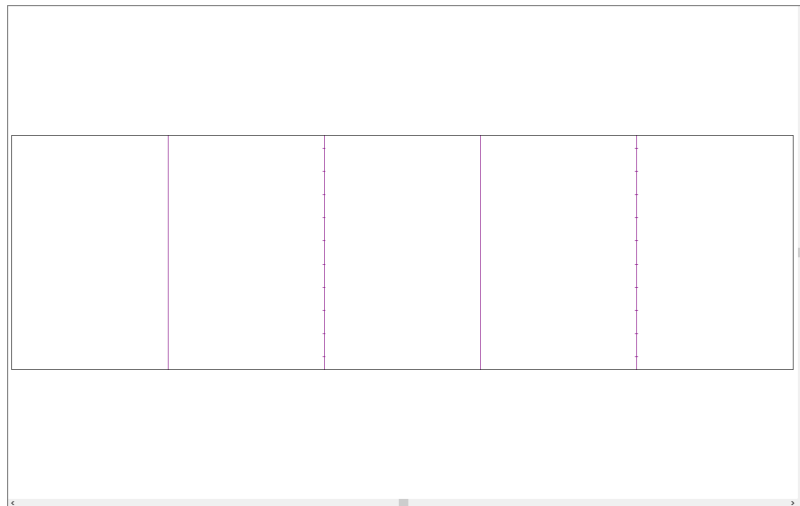


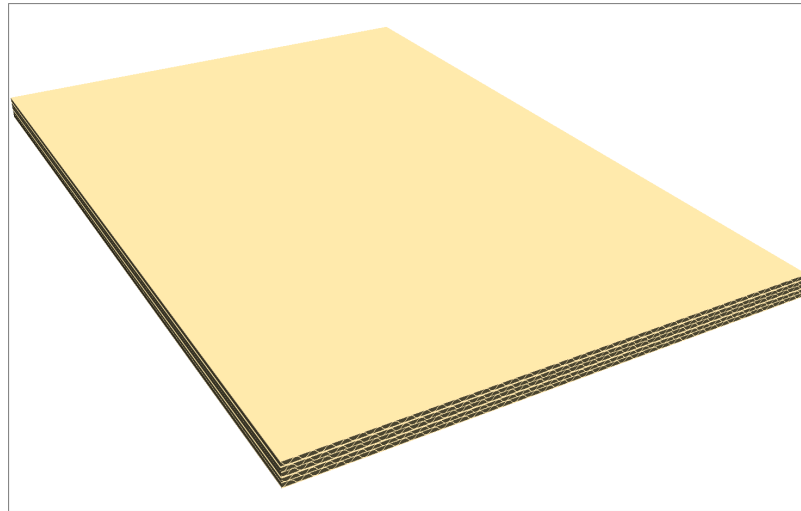
0965



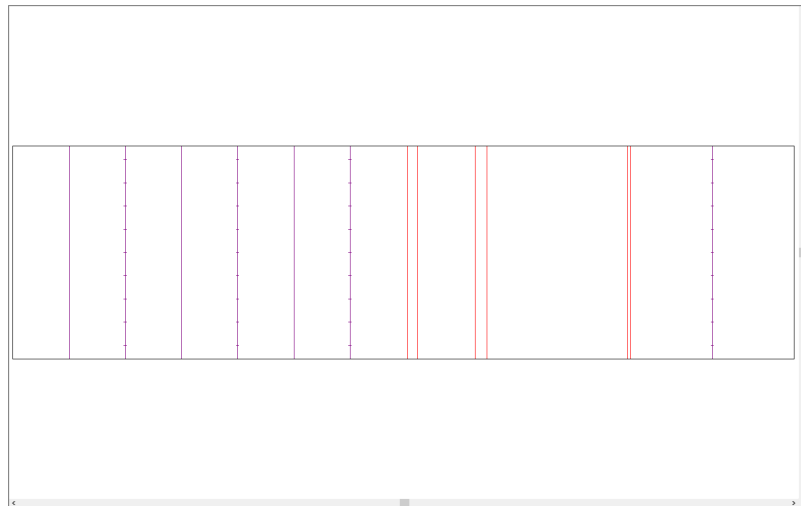


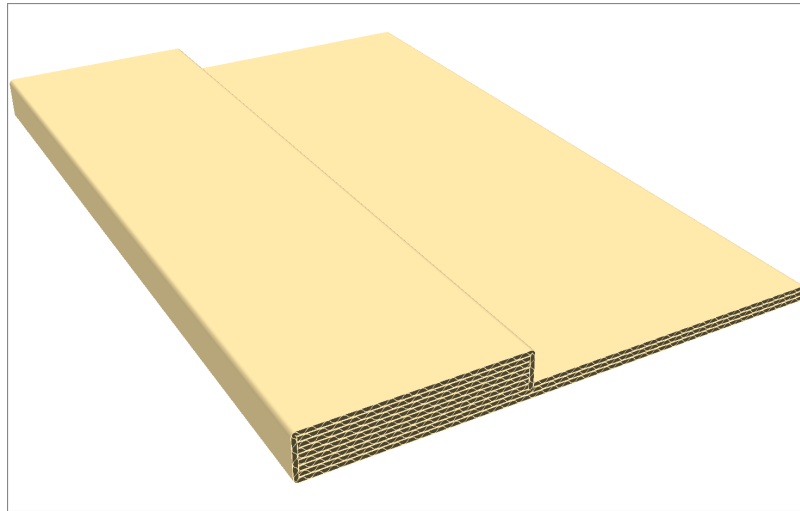
0966



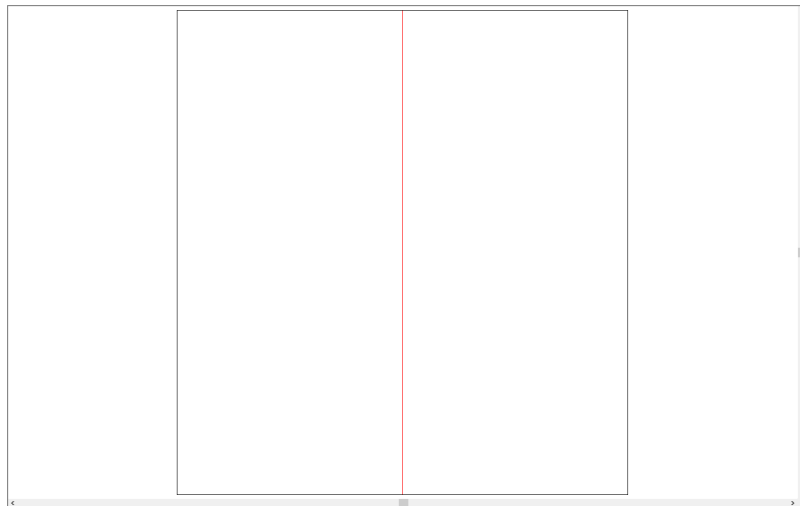


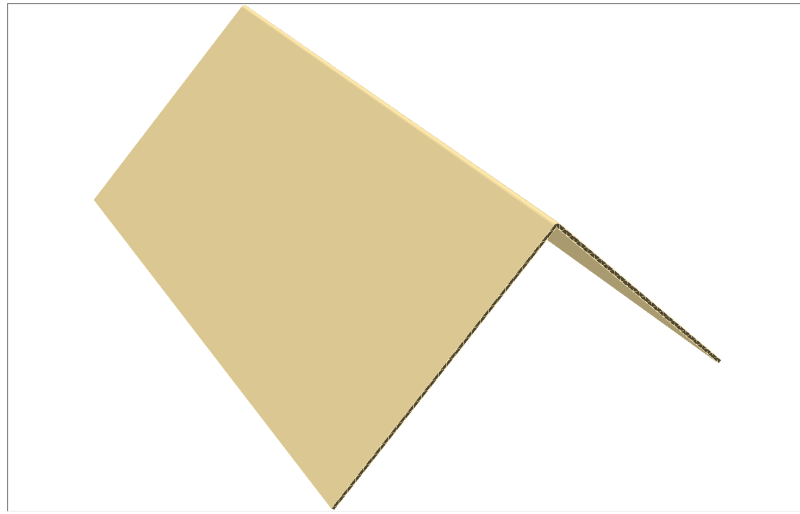
0967



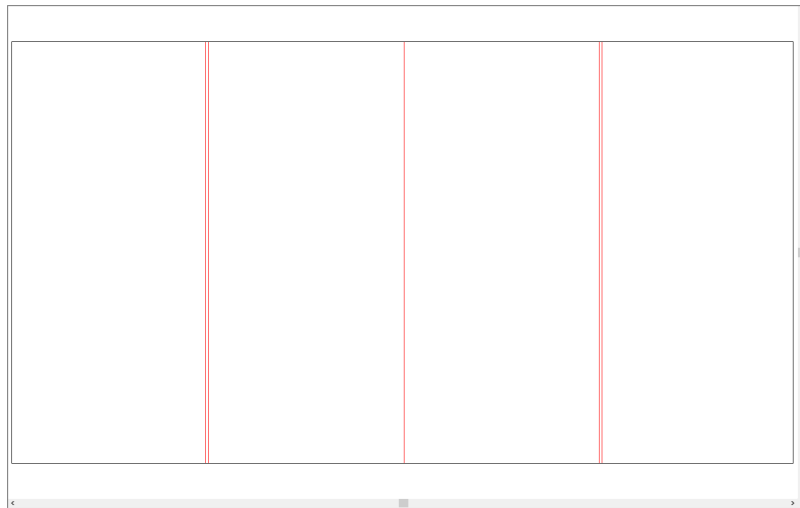


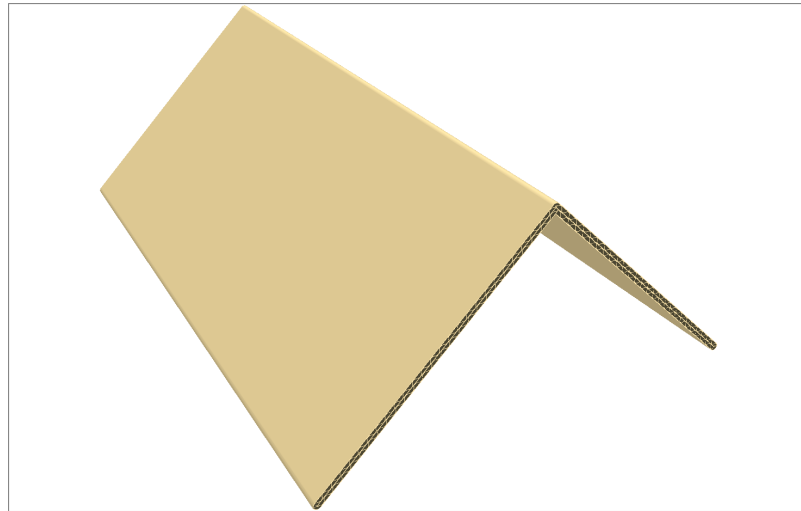
0970





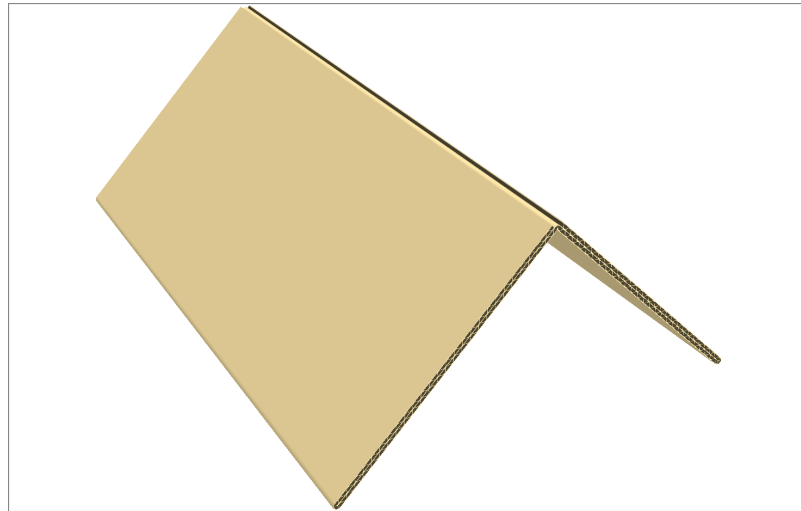
0971



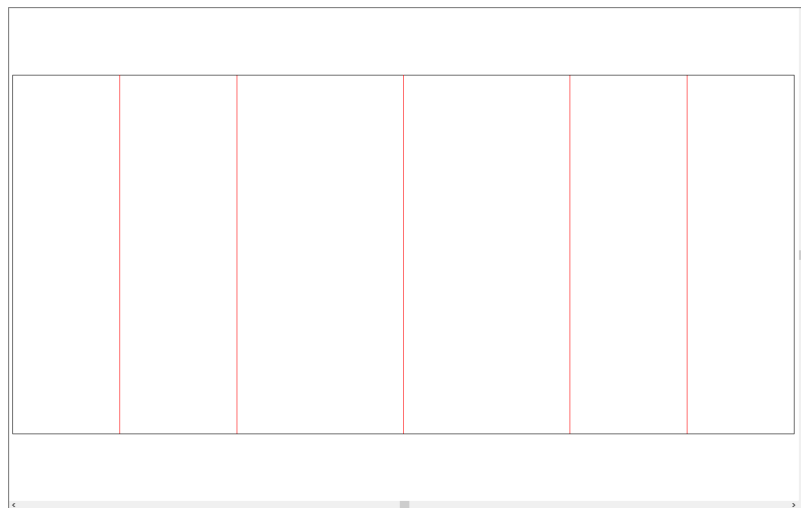


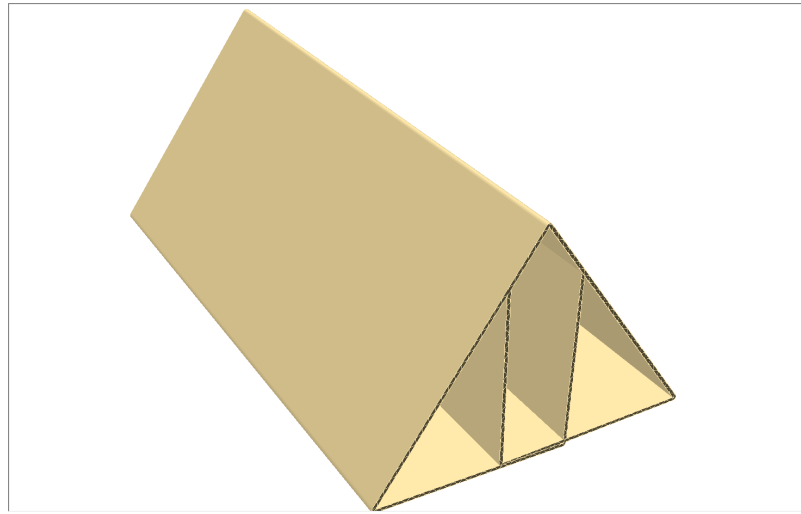
0972



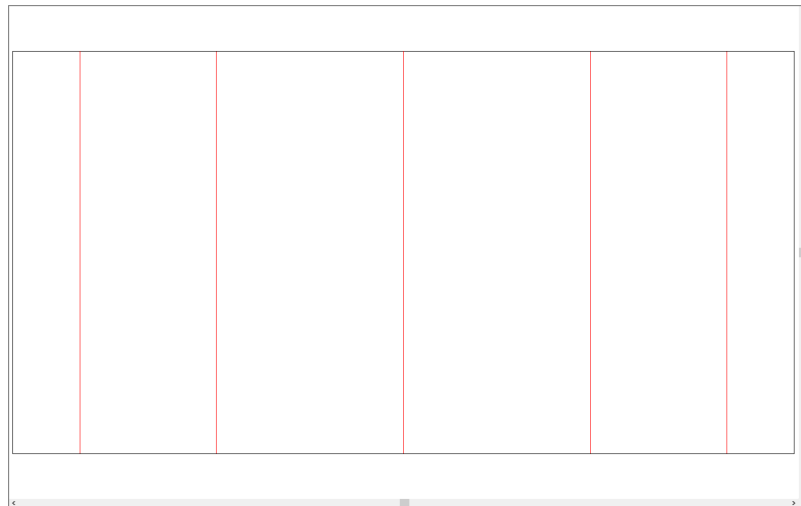


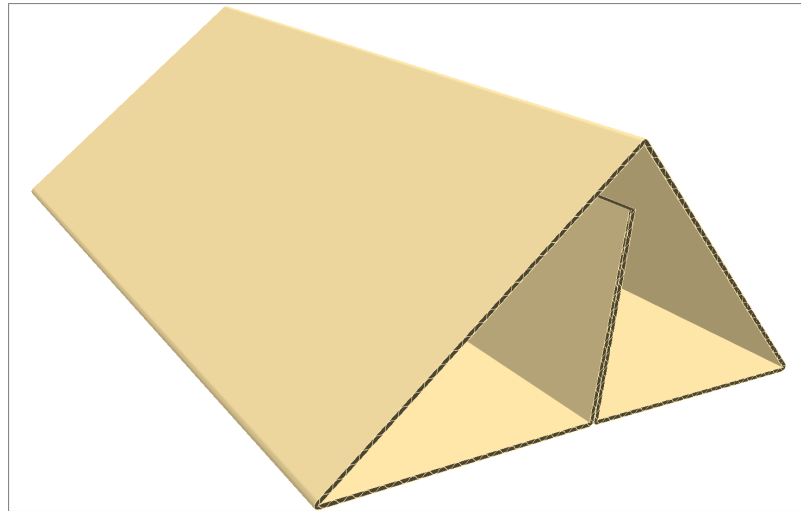
0973



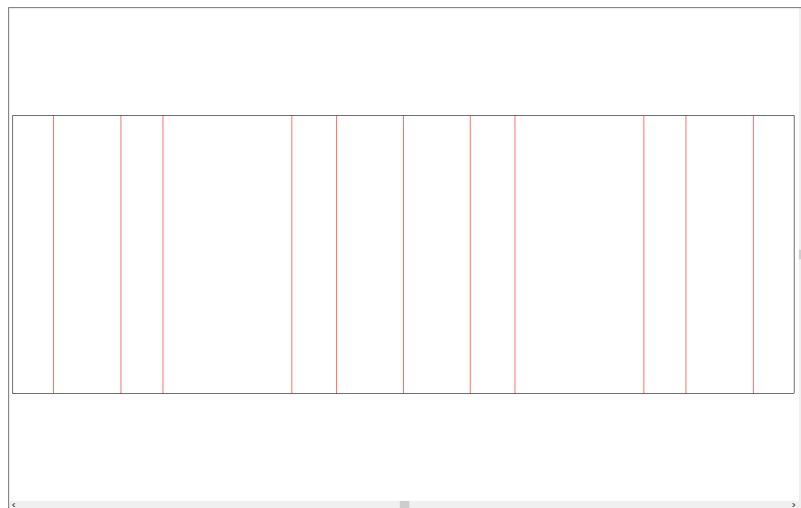


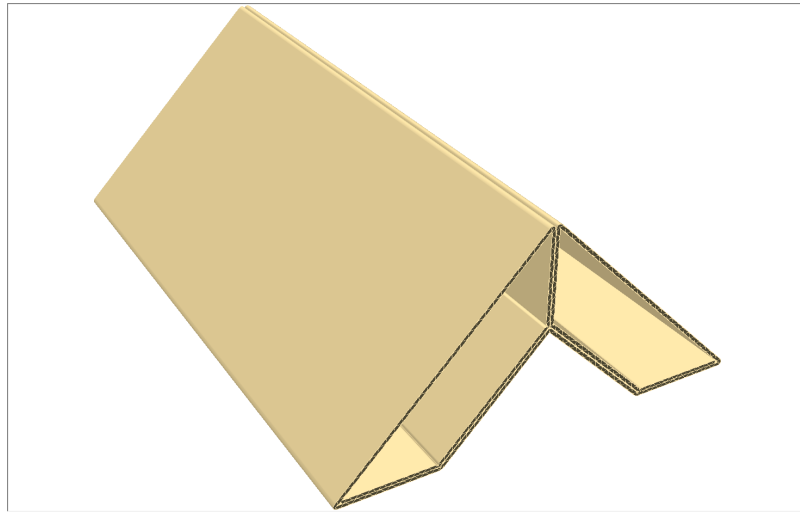
0974





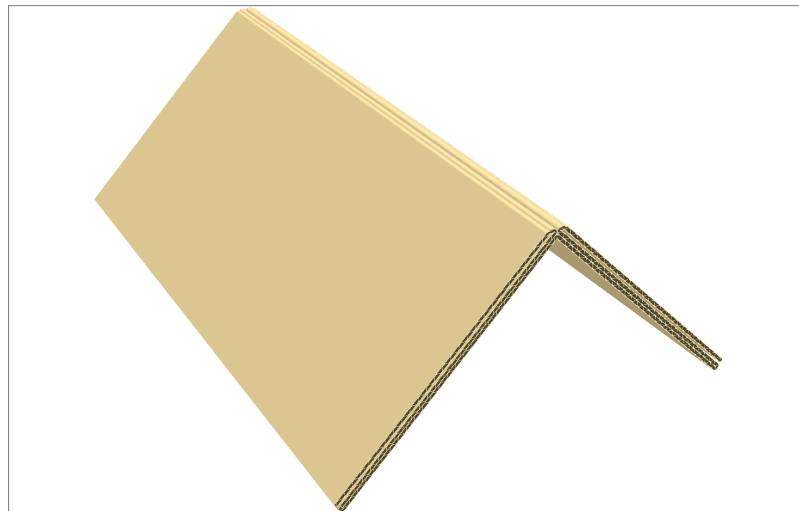
0975





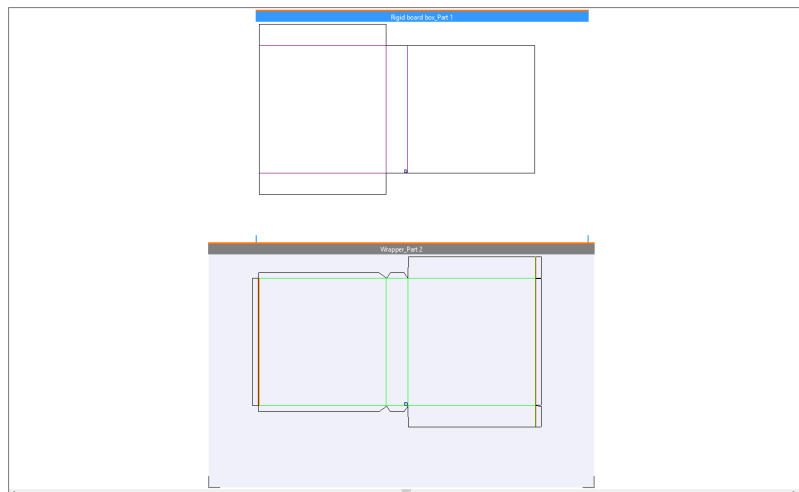
0976

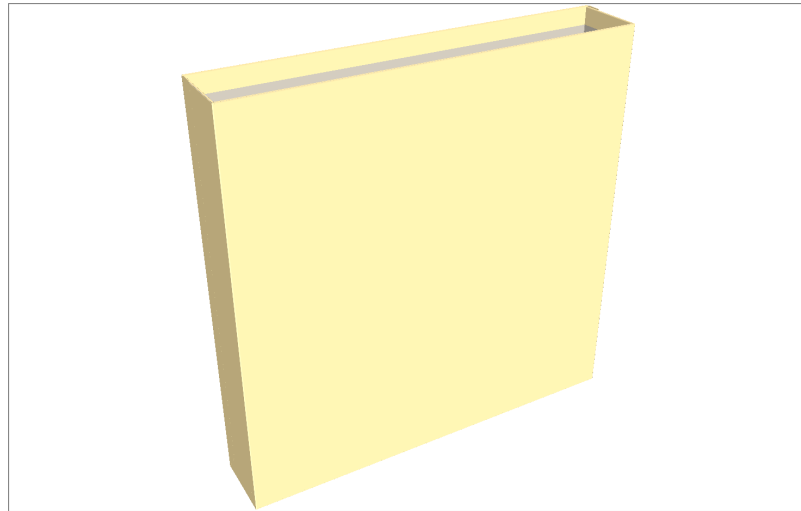




Rigid

SXGH01 Canvas





TDG01 Canvas

