

# ArtiosCAD 18.1.1

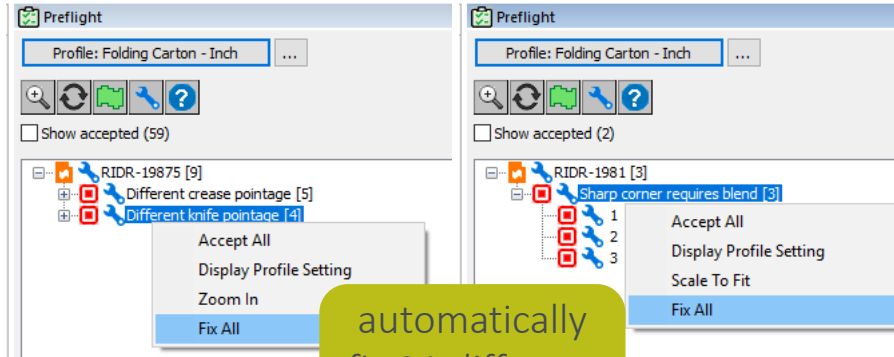
What's New?

**Richard Deroo**

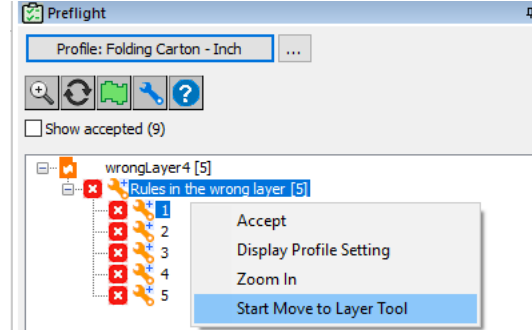
**Product Manager**

**November 2019**

# ArtiosCAD Preflight\* Fix-it Tools



automatically  
fix 21 different  
anomaly types



automatically start the  
design tool needed to  
fix the anomaly

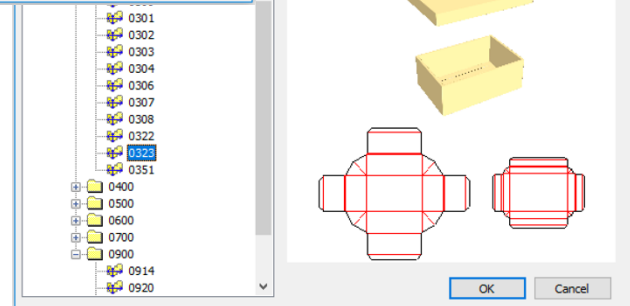
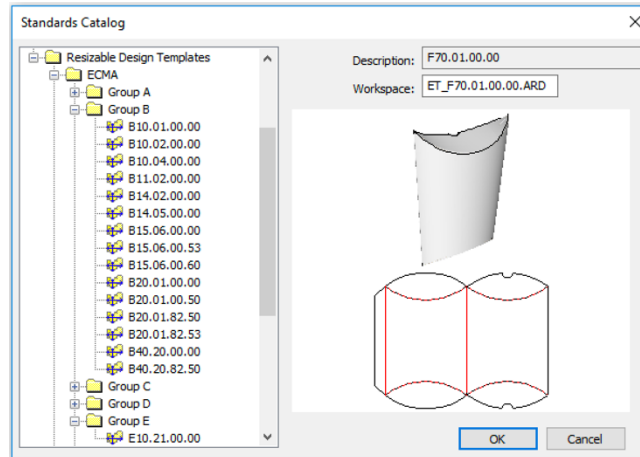
**Up to 50% time savings** with automatic fix-it tools and smart tool selection compared to manual design editing

# Resizable Design Templates

New ECMA folding carton designs added to the Style Catalog



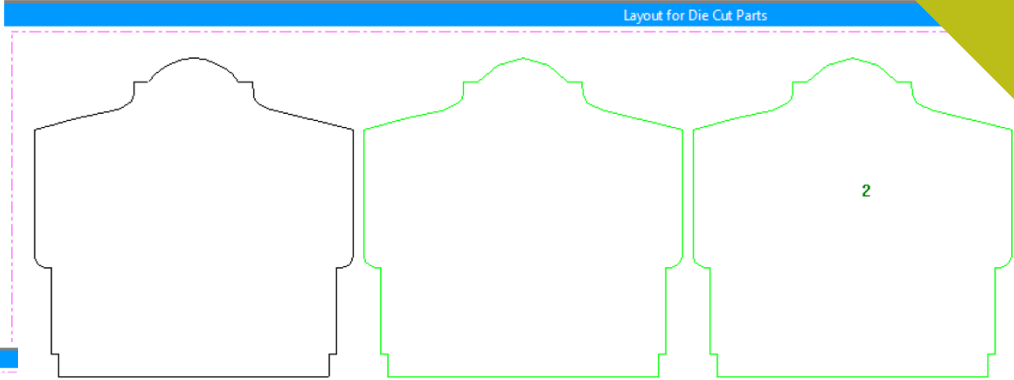
New FEFCO corrugated designs added to the Style Catalog



32 new designs added

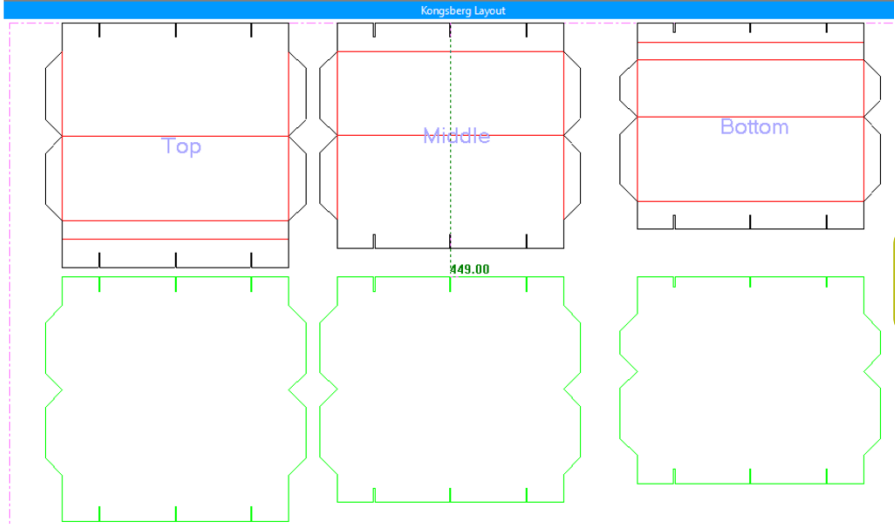
# Canvas Layout Edit Tools

Optimize nested layouts for digital production or for die-cut jobs



copy time offset

multi-select



# Canvas Database Dialog

Canvas database dialogs will improve user experience and enable information to be sent to external systems (e.g., estimating)

Canvas Database Information

General

Name: 20519 Date Saved: Tuesday, October 29, 2019

Resource: Revision: Tuesday, October 29, 2019

Directory: \\vmware-host\Shared Folders\z-OS-Shared\03-Demo F Revision #: 0

Database

Customer: B+B International S.r.l.

Owner: B+B International S.r.l.

Salesperson: Biskner, Bob

Designer: Signor, Alessandro

Description: Counter display for The Brand Owner

Short Description 1: 3 shelves 2: product count = 36 3: digital print

Auth: Joe Designer

Rev Desc: made final edits after customer meeting on Friday

Canvas

Number of Parts: 7 Blank Width: 2130.51

Number of Jobs: 1 Blank Height: 2049.75

Total Area: 2018635.25 Board Desc: EB flute

Total Rule Length: 27971.86 Grain Dir: Vertical

Characteristics: Displays

Userfields... OK Cancel Skip DB

customize dialogs for  
**Canvas specific**  
database information

Part Database Information: Sample Layout

General

Name: 20519\_Sample Layout Date Saved: Tuesday, October 29, 2019

Resource: ArtiosCAD Revision Date: Tuesday, October 29, 2019

Directory: C:\Esko\Artios\Designs\ Revision #: 0

Database

Customer: B+B International S.r.l.

Owner: B+B International S.r.l.

Salesperson: Biskner, Bob

Designer: Signor, Alessandro

Description: Layout for white samples

Authorization: Joe Designer

Rev. Description: all on the same board

Manufacturing

Sheet Width: 2180.00 Grain: Vertical

Sheet Length: 2750.00

Diecutter: Userfields

Printing Press: OK Skip DB Cancel

Canvas **parts & layouts**  
can have **unique**  
database information

## Updated 3D Import Libraries

 **SOLIDWORKS** 2019

import SolidWorks 2019 3D files

 **AUTOCAD** 2019



import AutoCAD DWG 19 files



import native .JT 3D files from  
Siemens PLM and others

ESKO 